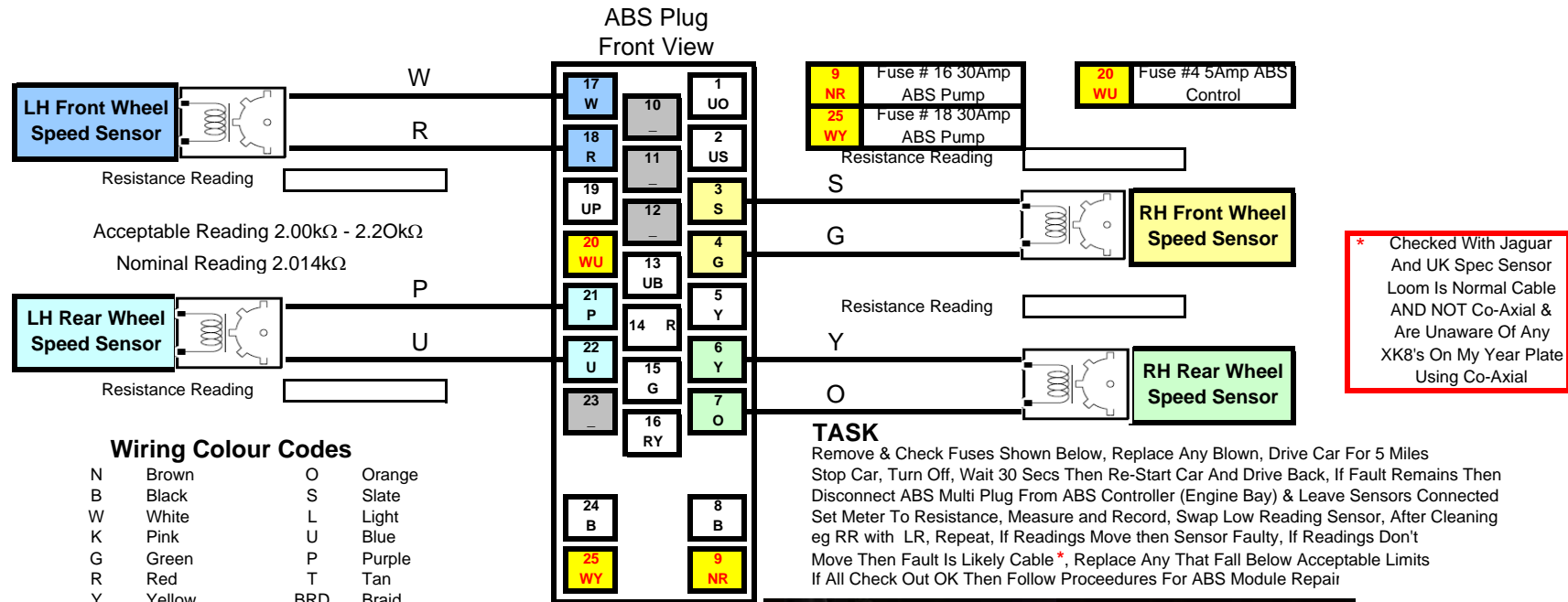
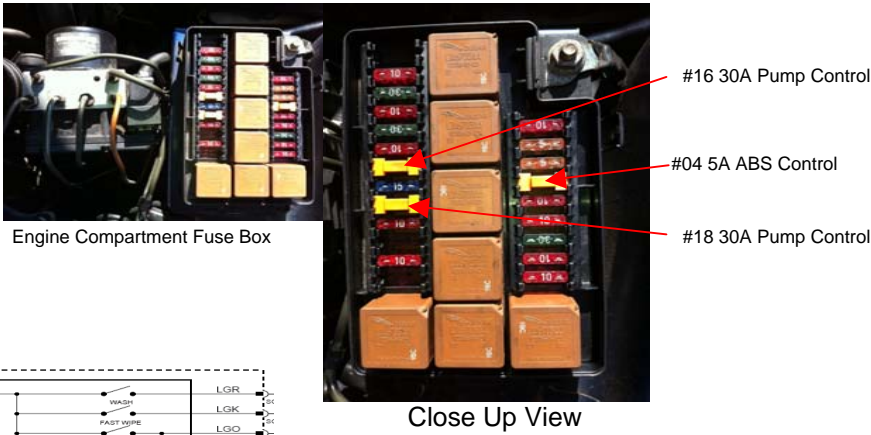


# Jaguar XK8 ABS 'HARD FAULT' Check Sheet



\* Checked With Jaguar And UK Spec Sensor Loom Is Normal Cable AND NOT Co-Axial & Are Unaware Of Any XK8's On My Year Plate Using Co-Axial



**Additional Information - Check Brake SW**

From # 02 US ABS Controller OR # 09 WO Wiper Stalk

# 03 WO Ignition Switch

