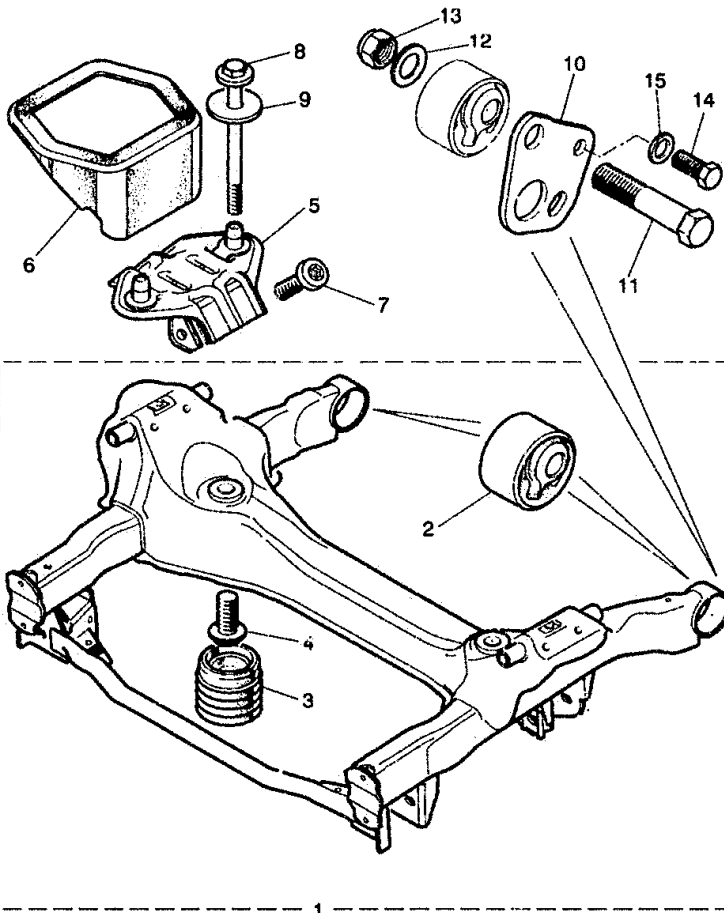


CROSSBEAM ASSEMBLY-FRONT-3.2/4.0 LITRE-V8



Qty	Part Number	Description	Quantity	Change Point	Remarks
1	MNC 2241AH	CROSSBEAM-ENGINE MOUNTING	1	(1)	
1	MNC 2241AJ	CROSSBEAM-ENGINE MOUNTING	1	(2)	
2	MNC 2370AB	• Sub-frame bush-front.....	2		
3	MNC 2298AA	• Retainer-front crossbeam.....	2		
4	JXA 11035E	• Torx head screw	NLA		Use JFS11035E.
1	MNC 2241AK	CROSSBEAM-ENGINE MOUNTING	1	(3)	
2	MNC 2370AC	• Sub-frame bush-front.....	2		
3	MNC 2298AA	• Retainer-front crossbeam.....	2		
4	JFS 11035E	• Torx head screw	2		
5	MNC 2360AB	Vee mounting-front crossbeam.....	1		
6	MNC 2368AA	Mounting heatshield	2		4.0 Litre supercharged
7	JXA 10816EP	Pan head torx screw-front suspension.....	8		
8	JZB 100057	Bolt - M8	4		
9	C 21069	Washer	4		
10	CCC 4940	Tie down bracket.....	2		
11	BH 612281	Bolt	2		
12	WD 600121	Washer	2		
13	NZ 612041 J	Self locking nut	2		
14	SH 112301 M	Setscrew.....	2		
15	WA 112081 J	Washer	2		

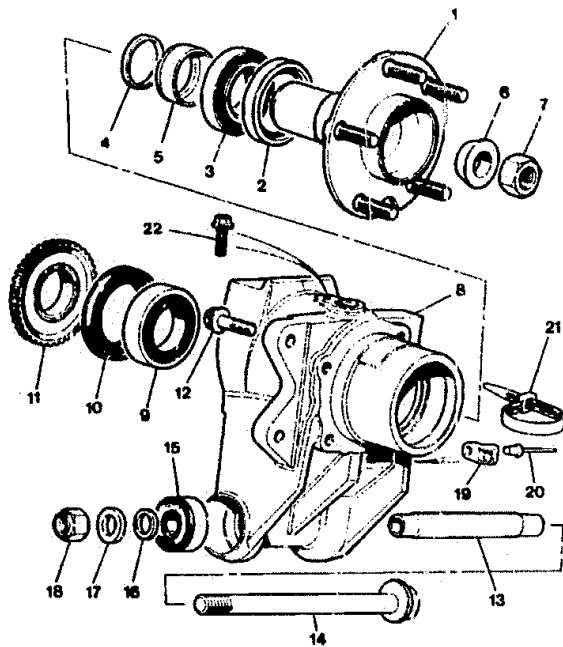
SH6567

CHANGE POINTS:

- (1) To (V) 853935
- (2) From (V) 853936 To (V) 876434
- (3) From (V) 876435

HUB CARRIER AND HUB ASSEMBLY-REAR

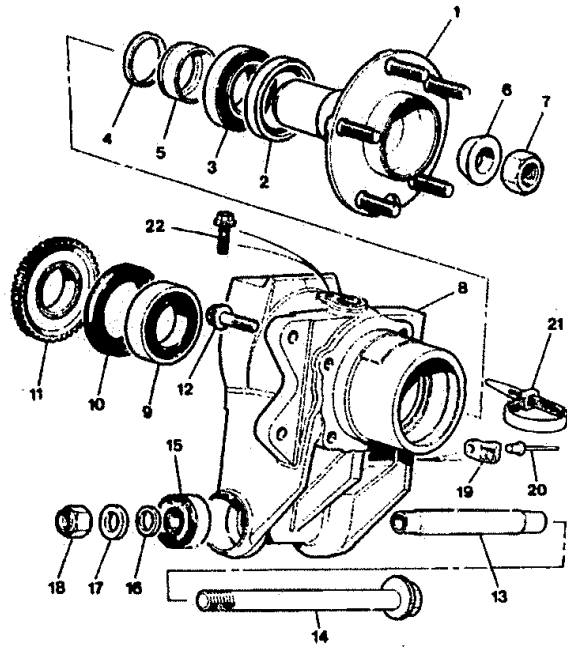
Hub	Part Number	Description	Quantity	Change Point	Remarks
1	MNA 3337AA JZB 100064	HUB-ASSEMBLY-REAR	2		
		• Wheel stud-splined	5		
2	CCC 4466	Outer seal	2		
3	CAC 6333	Hub bearing-rear -outer	2		
4	CBC 9505 1	Adjustable spacer-2.22mm	A/R		
4	CBC 9505 2	Adjustable spacer-2.27mm	A/R		
4	CBC 9505 3	Adjustable spacer-2.32mm	A/R		
4	CBC 9505 4	Adjustable spacer-2.37mm	A/R		
4	CBC 9505 5	Adjustable spacer-2.42mm	A/R		
4	CBC 9505 6	Adjustable spacer-2.47mm	A/R		
4	CBC 9505 7	Adjustable spacer-2.52mm	A/R		
4	CBC 9505 8	Adjustable spacer-2.57mm	A/R		
4	CBC 9505 9	Adjustable spacer-2.62mm	A/R		
4	CBC 9505 10	Adjustable spacer-2.67mm	A/R		
4	CBC 9505 11	Adjustable spacer-2.72mm	A/R		
4	CBC 9505 12	Adjustable spacer-2.77mm	A/R		
4	CBC 9505 13	Adjustable spacer-2.82mm	A/R		
4	CBC 9505 14	Adjustable spacer-2.87mm	A/R		
4	CBC 9505 15	Adjustable spacer-2.92mm	A/R		
4	CBC 9505 16	Adjustable spacer-2.97mm	A/R		
4	CBC 9505 17	Adjustable spacer-3.02mm	A/R		
4	CBC 9505 18	Adjustable spacer-3.07mm	A/R		
4	CBC 9505 19	Adjustable spacer-3.12mm	A/R		
4	CBC 9505 20	Adjustable spacer-3.17mm	A/R		
4	CBC 9505 21	Adjustable spacer-3.22mm	A/R		
4	CBC 9505 22	Adjustable spacer-3.27mm	A/R		
4	CBC 9505 23	Adjustable spacer-3.32mm	A/R		
4	CBC 9505 24	Adjustable spacer-3.37mm	A/R		
4	CBC 9505 25	Adjustable spacer-3.42mm	A/R		
4	CBC 9505 26	Adjustable spacer-3.47mm	A/R		



TH6130

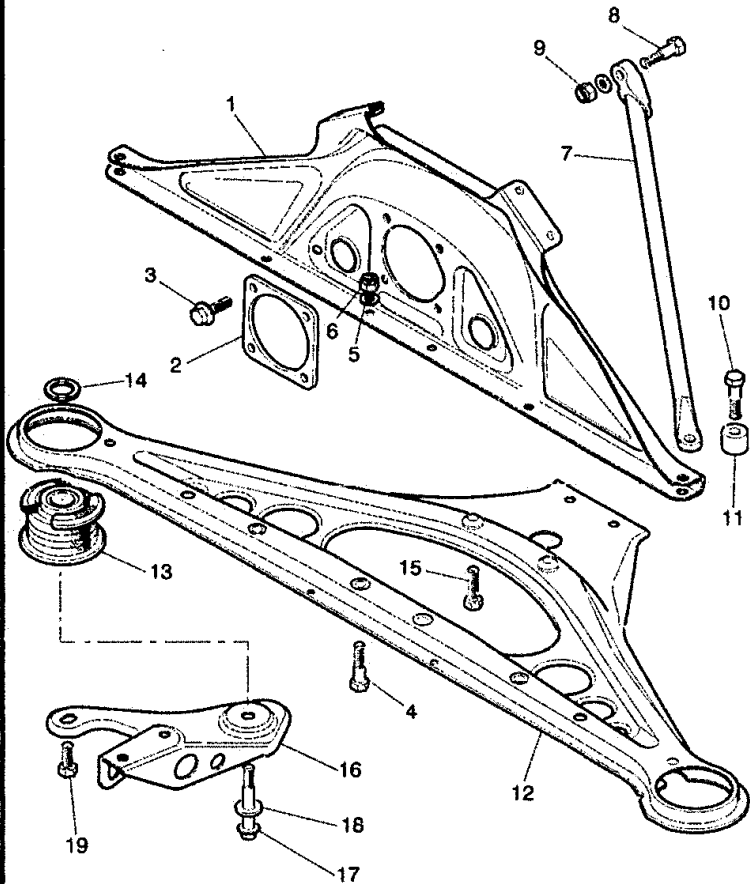
HUB CARRIER AND HUB ASSEMBLY-REAR

Illus	Part Number	Description	Quantity	Change Point	Remarks
	17 WA 114001	Washer-rear hub carrier.....	2		
	18 JNV 114041	Locknut	2		
	19 AGU 1548	Mounting cradle	4		
	20 RU 612503J	Rivet.....	2		
	21 AAL 5884J	Cable tie.....	2		
	22 FS 106201J	Flange head screw	2		
	JLM 1708	HUB BEARING KIT	2		
	CAC 6663	• Seal	1		



TH6130

FRAME CARRIER-REAR



Illus	Part Number	Description	Quantity	Change Point	Remarks
1	MJA 2622AA	Mounting bracket-rear suspension.....	1		
2	CAC 8226	Support plate.....	1		
3	FS 110251 P	Flange screw.....	4		
4	BH 112111	Bolt.....	4		
5	WA 112081 J	Washer.....	4		
6	NY 112041 J	Self locking nut.....	4		
7	CBC 2964	Link-assembly-RH upper.....	1		
7	CBC 2965	Link-assembly-LH upper.....	1		
8	BH 112131 J	Bolt.....	2		
9	NY 112041 J	Self locking nut.....	2		
10	BH 212091 MJ	Bolt.....	2		
11	CAC 9330	Spacing boss-outer.....	2		
12	MJA 2590BF	SUSPENSION SUBFRAME-REAR SUSPENSION.....	NLA		(1)..... Use MJA2590BG.
13	MJA 2595AB	• Sub-frame bush.....	NLA	 4.0 Litre supercharged
12	MJA 2590BG	SUSPENSION SUBFRAME-REAR SUSPENSION.....	1		(2)..... 4.0 Litre supercharged
13	MJA 2595AC	• Sub-frame bush.....	2		
12	MNB 2590AA	Suspension subframe-rear suspension.....	1	 Comfort suspension
14	CAC 4827 1	Spigot bush shim.....	2		
15	BH 212091 MJ	Bolt.....	2		
16	CBC 4256	Mounting bracket-RH lower.....	1		
16	CBC 4257	Mounting bracket-LH lower.....	1		
17	BH 112181 J	Bolt.....	2		
18	WJ 112001	Plain washer.....	2		
19	SH 112301 M	Setscrew.....	4		
	SH 110201 MJ	Mounting bracket setscrew-lower.....	2		
	JLM 11426	Anticrit oil -50cl-A-frame bush.....	1		

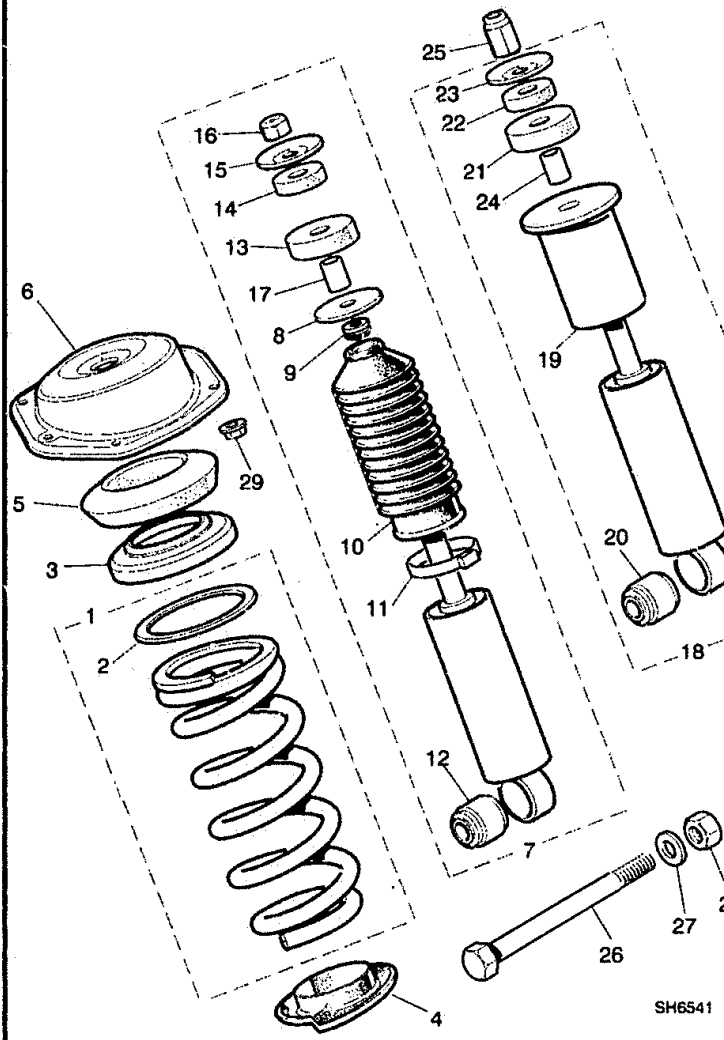
SH6452

CHANGE POINTS:

(1) To (V) 825841

(2) From (V) 825842

DAMPER AND SPRING FITTINGS-REAR



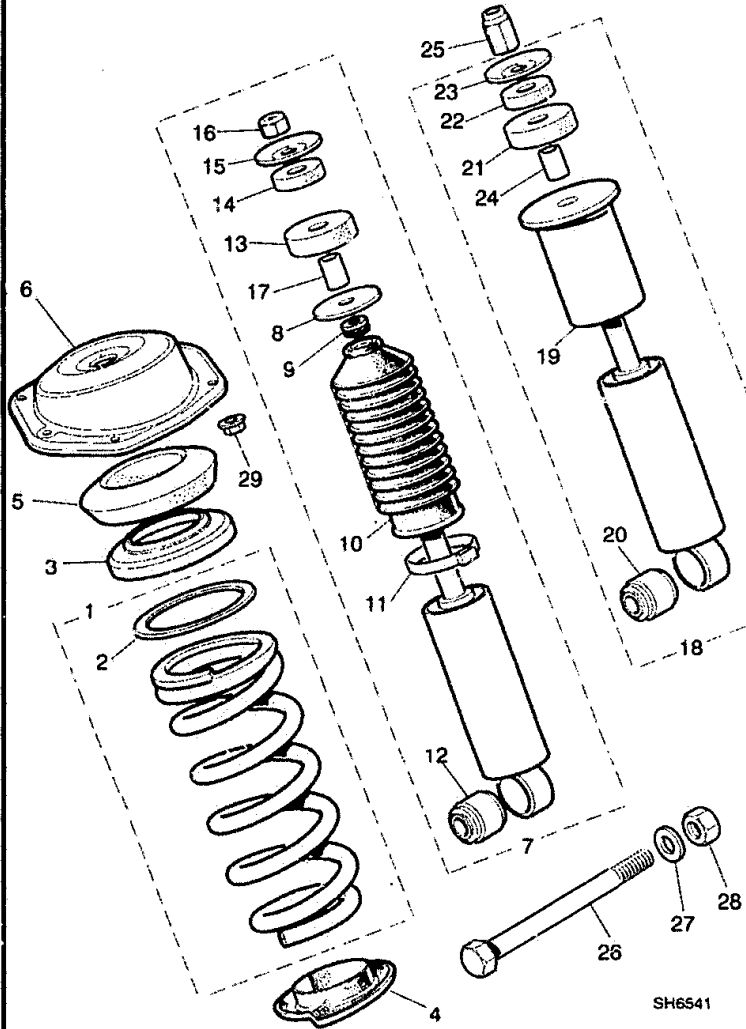
Qty	Part Number	Description	Quantity	Change Point	Remarks
1	JLM 12257	ROAD SPRING KIT	1		Comfort suspension;except ride level system
1	JLM 12342	ROAD SPRING KIT	1		Sports suspension;except ride level system
1	JLM 20589	ROAD SPRING KIT-REAR	1		4.0 Litre supercharged;except ride level system
2	MNA 3562AA	• Packer-3.4mm/2.9mm	2		
2	MNA 3562BA	• Packer-6.55mm/6.05mm	2		
3	MMD 3563AA	Spring pan-upper	2		
4	CCC 7350	Pigtail spring seat	2		
5	MMD 3565AA	Spring isolator-upper	2		
6	MNC 3470AA	Spring/strut mounting -assembly	2		
7	MNC 3540CA	SUSPENSION DAMPER-REAR	2		Sports suspension
7	MNC 3540AA	SUSPENSION DAMPER-REAR	2		Comfort suspension
8	MNA 3543AA	• Washer	1		
9	CCC 7132	• Gaiter locating collar.....	1		
10	CCC 7131	• Damper gaiter.....	1		
11	CCC 7139	• Gaiter clip	1		
12	CCC 6782	• Spherical joint	1		
13	CAC 9494 65	• Isolator-lower	1		
14	CAC 9493 50	• Isolator-upper	1		
15	CBC 1594	• Washer-upper	1		
16	JZN 100013	• Hexagonal nut-M10	NLA		Use JLM21158.
17	MNA 3554AA	• Spacer tube	1		
18	MNC 3540EB	SUSPENSION DAMPER-REAR	2		Adaptive control damping;sports suspension
18	MNC 3540DA	SUSPENSION DAMPER-REAR	2		Adaptive control damping;comfort suspension
19	MJA 3548AA	• Damper gaiter-rear	1		
20	CCC 6782	• Spherical joint.....	1		
21	CAC 9494 65	• Isolator-lower	1		
22	CAC 9493 50	• Isolator-upper	1		
23	MJA 3542AB	• Damper washer-rear -upper.....	1		
24	MJA 3554CB	• Spacer tube-rear damper	1		

SH6541

DAMPER AND SPRING FITTINGS-REAR

Illus	Part Number
25	JZN 100061
26	JZB 100036
27	JZW 100023
28	JNV 114041
29	JZH 100034

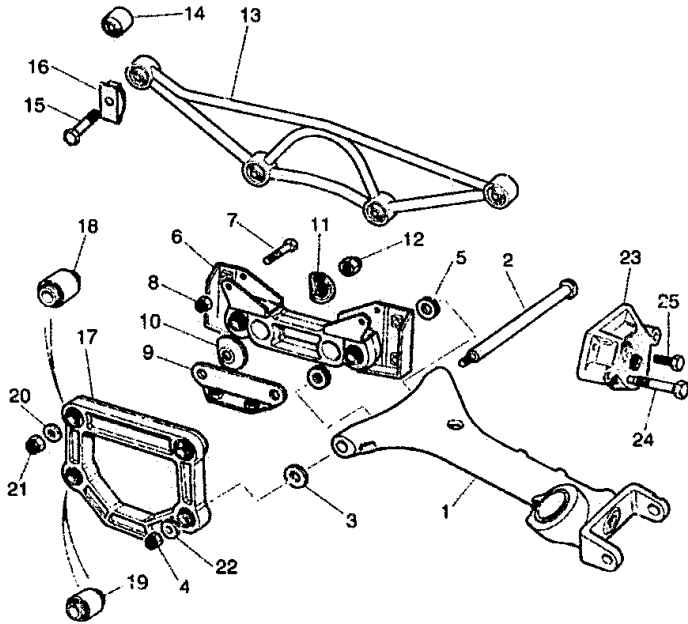
Description	Quantity	Change Point	Remarks
Special nut-top -12mm x 1mm.....	4		Adaptive control damping
Damper bolt.....	2		
Washer.....	2		
Locknut.....	2		
Nut and washer.....	8		



SH6S41

WISHBONE ASSEMBLY

Illus	Part Number	Description	Quantity	Change Point	Remarks
	1 MNB 2960AA	Wishbone-RH	1		
	1 MNB 2961AA	Wishbone-LH	1		
	2 MMB 2860AA	Wishbone fulcrum bolt	2		
	3 CAC 8979	Plain washer	2		
	4 JFX 214051	Fulcrum bolt nut	2		
	5 MMB 2882AA	Fulcrum bolt washer	4		
	6 JLM 21186	WISHBONE TIE -ASSEMBLY	1		(1)..... Except rear anti roll bar
	NMC 5715AA	• Tie stud-rear	2		
	6 MNC 2850CA	WISHBONE TIE -ASSEMBLY	1		(2)..... Except rear anti roll bar
	19 CAC 4713	• Pendulum bush -bottom	2		
	6 MNA 2855BD	WISHBONE TIE -ASSEMBLY	1		(1)..... } Rear anti roll bar
	6 MNC 2855BA	WISHBONE TIE -ASSEMBLY	1		(2)..... }
	19 CAC 4713	• Pendulum bush -bottom	2		
	7 BH 112131 J	Bolt	2		
	8 NY 112041 J	Self locking nut	2		
	9 MJA 2617AA	Extension bracket	1	(1)	
	9 MNC 2617BA	Extension bracket	1	(2)	
	10 MNA 2885AA	Spacer-inner-wishbone	2		
	11 MNA 2885BA	Spacer-outer-wishbone	2		
	12 JFX 11205E	Flange locking nut	2		
	13 MJA 3713AD	BUSHED DIFFERENTIAL STRUT	1	 Sports suspension
	14 MJA 3715AB 2	• Mounting bush-differential	4		
	13 MNC 3713AA	BUSHED DIFFERENTIAL STRUT	1	 Comfort suspension
	14 MJA 3715AB 1	• Mounting bush-differential	4		
	15 FB 112131	Flange head bolt-rear suspension	2		
	16 JZM 100015	Spring nut-rear suspension	2		



11487C4

CHANGE POINTS:

(1) To (V) 846051

(2) From (V) 846052

WISHBONE ASSEMBLY

Illus	Part Number	Description	Quantity	Change Point	Remarks
	17 CCC 2890	PENDULUM-ASSEMBLY	NLA	(1).....	Use MNB2840AA.
	17 MNB 2840AA	PENDULUM-ASSEMBLY	1	(2)	
	18 CAC 7760 1	• Pendulum bush -top	2		
	19 CAC 4713	• Pendulum bush -bottom	2		
	20 WA 116101	Flat washer	4		
	21 NY 112041 J	Self locking nut	2		
	22 CBC 6394	Stepped washer	2		
	23 MNA 3750AB	Suspension bumpstop-rear	2	 4.0 Litre supercharged
	23 MJA 3750AB	Suspension bumpstop-rear	2	 Sport
	23 MNC 3750AA	Suspension bumpstop-rear	1	 Comfort suspension
	24 JXR 10860FP	Paint clearing bolt	4		
	25 JXR 10830FP	Paint clearing setscrew	4		
	SH 212201 MJ	Setscrew	2		
	WA 112081 J	Washer	2		
	MNA 3754AA	Bumpstop reinforcement bracket-RH.....	2	 } 4.0 Litre supercharged
	MNA 3755AA	Bumpstop reinforcement bracket-LH.....	1	 }
	CBC 2484	Bumpstop reinforcement bracket-RH.....	1	 } Australia;Dubai;Kuwait;Oman;Qat-
	CBC 2485	Bumpstop reinforcement bracket-LH.....	1	 } ar;Saudi
	 Arabia;Sweden;Bahrain;Abu
	 Dhabi;Sport

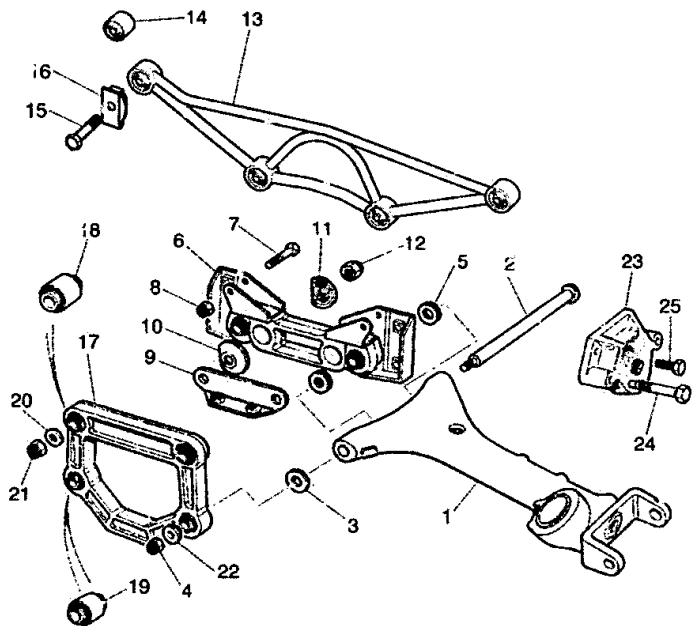


FIGURE 1

CHANGE POINTS:
 (1) To (V) 832627
 (2) From (V) 832628