

**Supercharged Engine (W5A580 Transmission)
– Oil Seepage From Electrical Connector
– Repair Procedure**

MODEL 1998 MY-ON
V8 XJR

VIN 812256-ON

Issue:

Some 1998 MY-ON XJR vehicles may experience seepage of transmission fluid from the area of the electrical connector on the right side of the transmission case. This bulletin provides a procedure for replacing the O-ring seals between the connector and transmission casing.

Action:

1. Park the vehicle on a suitable lift. Open the hood and install protective covers on the front fenders.
2. Raise the lift. Clean the area around the transmission drain plug. Remove the drain-plug from the transmission fluid pan and allow the fluid to drain into a thoroughly cleaned container so that it can be reused.

⚠ Warning: The fluid may be hot and slightly pressurized.

3. Place a new seal on the drain-plug and reinstall and torque the drain-plug to 22 Nm (16.2 lb. ft.).
4. On the right side of the transmission, remove the bolt that retains the heat shield for the multiplug connector. Remove the heat shield.
5. Rotate the lock ring counterclockwise to release the multiplug connector (Illustration 1). Disconnect the multiplug.

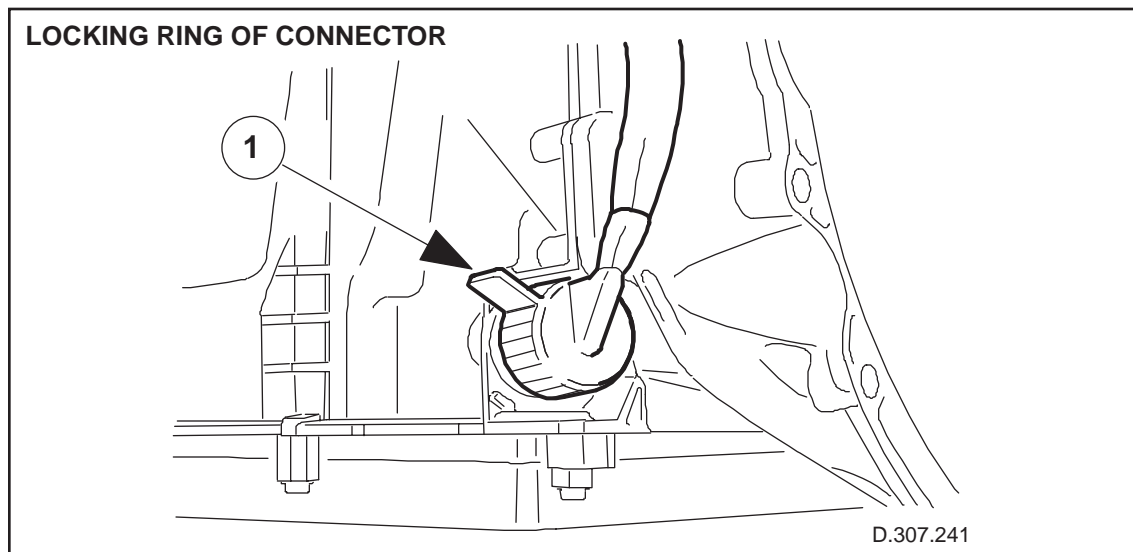


ILLUSTRATION 1

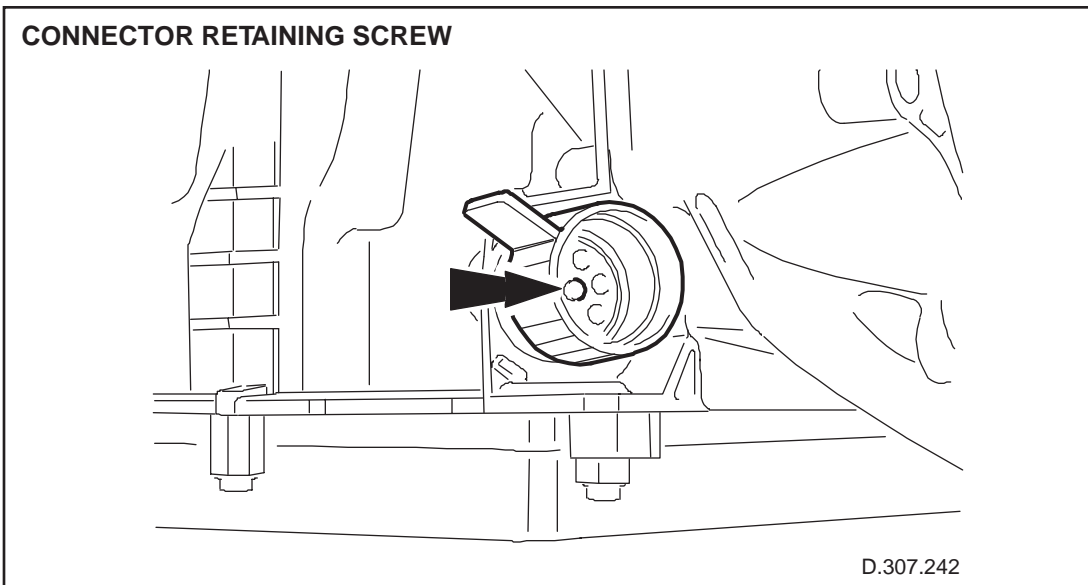


ILLUSTRATION 2

6. Loosen the Allen screw located in the center of the connector socket. The screw remains captive in the connector. 7 mm hexagon (Allen) key required.
7. Use a suitable lever to pry the connector socket out of the transmission casing.
8. Check the color of the inner and outer O-rings on the connector socket. If the rings are red, remove and discard the O-ring. Install new red O-rings and proceed to step 9. If the existing O-rings are black, discard the existing connector sleeve and install a new sleeve (part no. JLM 21109 supplied with new red O-rings).
9. Using a lint-free wipe, carefully clean the connector and its bore in the transmission case.
10. Place new red O-rings on the connector. Lightly lubricate the O-rings and reinstall the connector socket in the transmission. Engage and tighten the retaining screw **to 2.5 ± 0.25 Nm (22.1 ± 2.2 lb. in.)** (7 mm Hex drive bit).

⚠ Caution: This torque is listed incorrectly on JTIS up to and including JTIS 6.

11. Reconnect the harness multiplug and rotate the lock ring completely clockwise to retain the multiplug connector.
12. Reinstall the heat shield and its retaining bolt.
13. Lower the lift.

14. Refer to JTIS, 1998 V8 XJ Series, Group 3 - Powertrain, Section 307-01B - Auto Transmission, Removal and Installation, Transmission Fluid Drain and Refill (44.24.02). Follow the procedure detailed in the above operation for refilling the transmission. Reuse the fluid previously drained, unless it is discolored, adding new fluid, if necessary.

Note: If the drained fluid is discolored, do NOT reuse the drained fluid.

The PDU will be required to verify that the temperature of the transmission fluid is at operating temperature when checking the fluid level. Special Tool 307-379 (dipstick) is also required.

15. Close the hood, after removing the protective fender covers.

Parts Information:

<u>DESCRIPTION</u>	<u>PART NUMBER</u>	<u>QTY</u>
Electrical connector sleeve with red O-rings	JLM 21109	1 if required
O-ring, outer (red)	JLM 21110	1 if required
O-ring, inner (red)	JLM 21111	1 if required
Seal, transmission oil drain plug	JLM 20475	1
Locking pin, dipstick cap	NNC 4551AA	1
Oil, auto transmission 1 liter pack	JLM 20292	As required

Warranty Information:

<u>FAULT CODE</u>	<u>R.O. NUMBER</u>	<u>DESCRIPTION</u>	<u>TIME ALLOWANCE</u>
FB FF D8	44.24.25	Transmission Multiplug Connector - Replace Connector Sleeve O-rings	0.90 hrs.