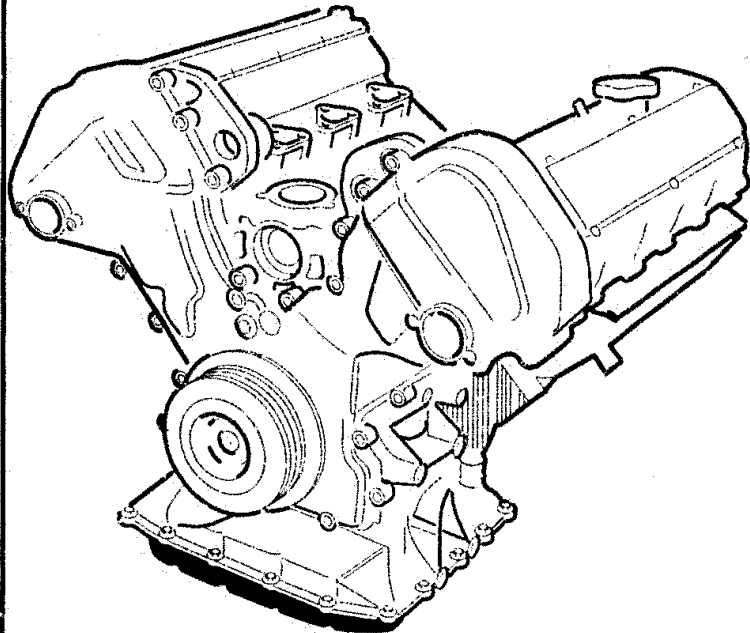


V8 XJ Series

D02
Fiche 1

ENGINE
ENGINE ASSEMBLY

ENGINE ASSEMBLY-3.2/4.0 LITRE-V8



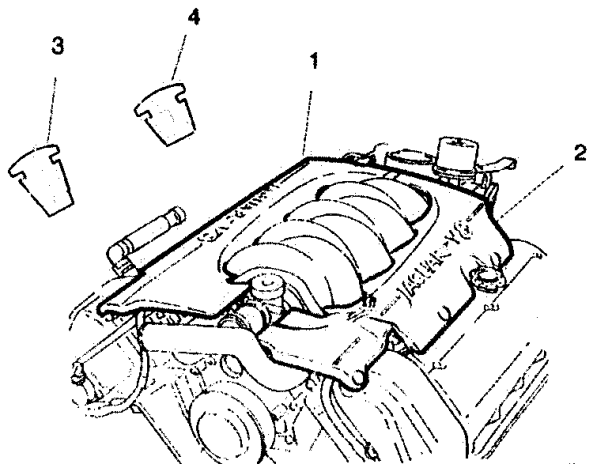
Illus	Part Number	Description	Quantity	Change Point	Remarks
	NCC 1002EAN	Stripped engine-new	1] (1).....	4.0 Litre;except EGR
	NCC 1002EAE	Stripped engine-remanufactured unit	1		
	NNE 1002PBN	Stripped engine-new	1] (2).....	
	NNE 1002PBE	Stripped engine-remanufactured unit	1		
	NCC 1002HAN	Stripped engine-new	1] (1).....	4.0 Litre supercharged;except EGR
	NCC 1002HAE	Stripped engine-remanufactured unit	1		
	NNE 1002TAN	Stripped engine-new	1] (3).....	
	NNE 1002TAE	Stripped engine-remanufactured unit	1		
	NNE 1002WAN	Stripped engine-new	1] (4).....	4.0 Litre supercharged
	NNE 1002WAE	Stripped engine-remanufactured unit	1		
	NCC 1002JAN	Stripped engine-new	1] (1).....	3.2 Litre
	NCC 1002JAE	Stripped engine-remanufactured unit	1		
	NNE 1002VAN	Stripped engine-new	1] (2).....	
	NNE 1002VAE	Stripped engine-remanufactured unit	1		
	NCC 1001DA	Short engine	1] (1).....	4.0 Litre;except 4.0 Litre supercharged
	NRA 1001KA	Short engine	1		
	AJB 1173	Short engine	1	(2).....	4.0 Litre supercharged
	AJB 1174	Short engine	1	(2).....	3.2 Litre

TB6301

CHANGE POINTS:

- (1) To (V) 853935
- (2) From (V) 853936
- (3) From (V) 853936 To (V) 878717
- (4) From (V) F00035

ENGINE COVER



Illus	Part Number	Description	Quantity	Change Point	Remarks
1	NNC 3921AB	ENGINE COVER-RH A-BANK.....	1] (1).....	3.2 Litre; Jaguar
2	NNC 3921BB	ENGINE COVER-LH B-BANK.....	1		
1	NNE 3921AB	ENGINE COVER-RH A-BANK.....	1] (2).....	
2	NNE 3921BB	ENGINE COVER-LH B-BANK.....	1		
3	NJA 6790BC	• Mounting-rubber-cover-engine bay fuel pipes.....	2		
4	NJA 6790CC	• Mounting-rubber-engine bay.....	1		
1	NNC 3921EA	ENGINE COVER-RH A-BANK.....	1] (1).....	4.0 Litre; Jaguar
2	NNC 3921FA	ENGINE COVER-LH B-BANK.....	1		
1	NNE 3921EB	ENGINE COVER-RH A-BANK.....	1] (2).....	
2	NNE 3921FB	ENGINE COVER-LH B-BANK.....	1		
3	NJA 6790BC	• Mounting-rubber-cover-engine bay fuel pipes.....	2		
4	NJA 6790CC	• Mounting-rubber-engine bay.....	1		
1	NNC 3921CB	ENGINE COVER-RH A-BANK.....	1] (1).....	4.0 Litre; Daimler
2	NNC 3921DB	ENGINE COVER-LH B-BANK.....	1		
1	NNE 3921CB	ENGINE COVER-RH A-BANK.....	1] (2).....	
2	NNE 3921DB	ENGINE COVER-LH B-BANK.....	1		
3	NJA 6790BC	• Mounting-rubber-cover-engine bay fuel pipes.....	2		
4	NJA 6790CC	• Mounting-rubber-engine bay.....	1		
	NJA 1819AC	Engine cover spacer.....	1		

TB6139

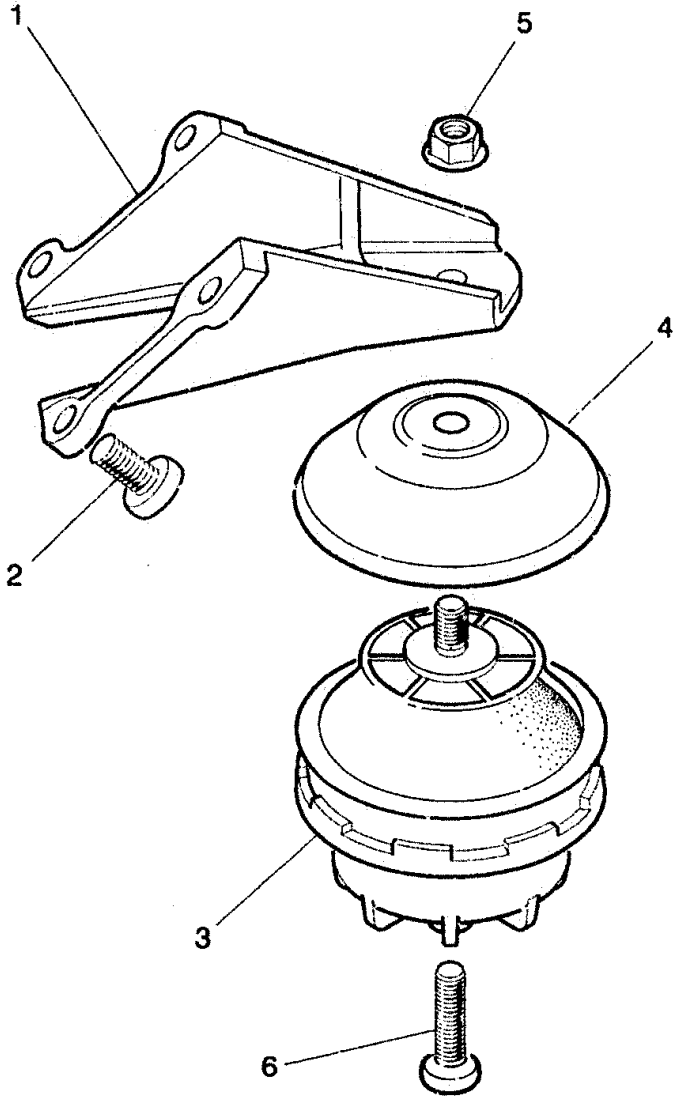
CHANGE POINTS:

(1) To (V) 853935

(2) From (V) 653936

ENGINE MOUNTING-FRONT-3.2/4.0 LITRE-V8

Mus	Part Number	Description	Quantity	Change Point	Remarks
1	MCA 7510AC	Engine mounting bracket-RH side.....	1	(1)	
1	AJ8 1443	Engine mounting bracket-RH side.....	1	(2)	
1	MCA 7511AC	Engine mounting bracket-LH side.....	1		
2	JZS 100056	Torx pan head machine screw-pan head-10mm x 30mm.....	8		
3	MNC 7500AA	Hydraulic engine mounting.....	2	(3)	
3	MNC 7500AB	Hydraulic engine mounting.....	2	(4)	
4	MNC 7526AA	Engine mounting heatshield.....	2		
5	JLM 11970	Locking nut.....	2		
6	JXA 11035E	Torx head screw.....	NLA		Use JFS11035E.



CHANGE POINTS:

- (1) To (V) 853935
- (2) From (V) 853936
- (3) To (V) 818581
- (4) From (V) 818582

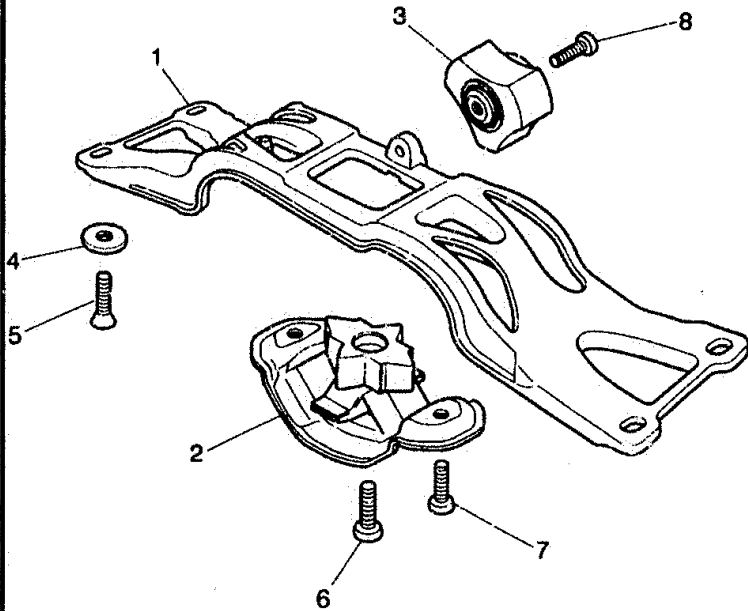
V8 XJ Series

D05
Fiche 1

ENGINE
ENGINE AND GEARBOX MOUNTING

GEARBOX MOUNTING-3.2/4.0 LITRE-V8

Mus	Part Number	Description	Quantity	Change Point	Remarks
1	MNC 7600AF	Engine mounting bracket-rear engine mounting.....	1		
2	MNA 7550AC	Engine mounting-rear	1		Except 4.0 Litre supercharged
2	MNC 7550AB 1	Engine mounting-rear	1		4.0 Litre supercharged
3	MNC 7575AA	Dynamic absorber mounting.....	1		Except 3.2 Litre
4	JZW 100030	Washer	4		
5	JXB 10835E	Flange head torx screw-M8 x 35mm	4	(1)	
	JSH 10835E	Hexagon head screw-M8 x 35mm.....	4	(2)	
6	JZS 100124	Pan head screw-M10 x 40mm	1	(3)	
6	JZS 100170	Pan head screw-M10 x 40mm	1	(4)	
7	JZS 100102	Screw-M10.....	NLA		Use JZS100120.
8	JZS 100102	Screw-M10.....	NLA		Use JZS100120.
				Except 3.2 Litre



SB8439

CHANGE POINTS:

- (1) To (V) 853935
- (2) From (V) 853936
- (3) To (V) 822372
- (4) From (V) 822373

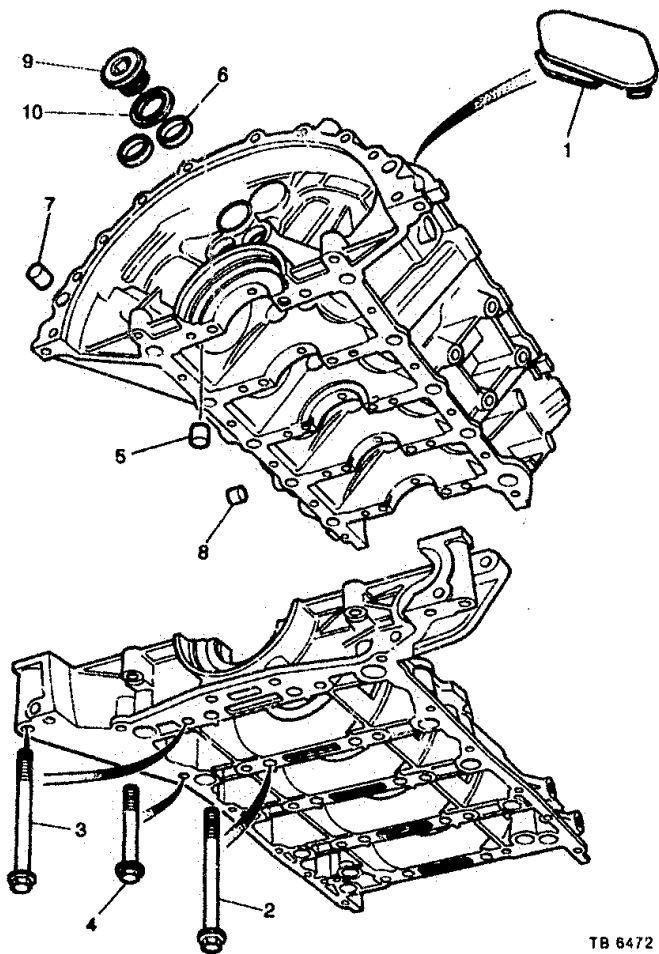
V8 XJ Series

D06
Fiche 1

ENGINE
CYLINDER BLOCK

CYLINDER BLOCK AND BEDPLATE ASSEMBLY-3.2/4.0 LITRE V8

Qty	Part Number	Description	Quantity	Change Point	Remarks
1	NCA 1207AA	Engine cover-block valley	1		
2	NCA 1266AC	Main bearing bolt-114mm	10		
3	NCA 1266BB	Main bearing bolt-109.5mm	12		
4	NCA 1266CB	Main bearing bolt-80mm	12		
5	EAZ 2159	Dowel.....	1		
6	JZD 100008	Core plug-28mm	2		
7	C 46021	Dowel.....	2		
8	EBC 4435	Dowel.....	2	(1)	
8	NCC 1228AA	Dowel.....	2	(2)	
9	JZD 100015	Screw plug-M30 X 1.5	NLA		Use JZD100019.
9	JZD 100019	Screw plug-M30 X 1.5-cylinder block.....	2		
10	JWV 130001	Sealing washer	1		
	JFS 110167	Flange head screw	1		
	JWV 110001	Washer	1		
	AJ8 2383	Sound insulator-block valley	1	(3)	4.0 Litre supercharged
	JLM 20163	Sealant-50ml-RTV-syringe.....	1		



TB 6472

CHANGE POINTS:
 (1) To (V) 835511
 (2) From (V) 835512
 (3) From (V) F00035

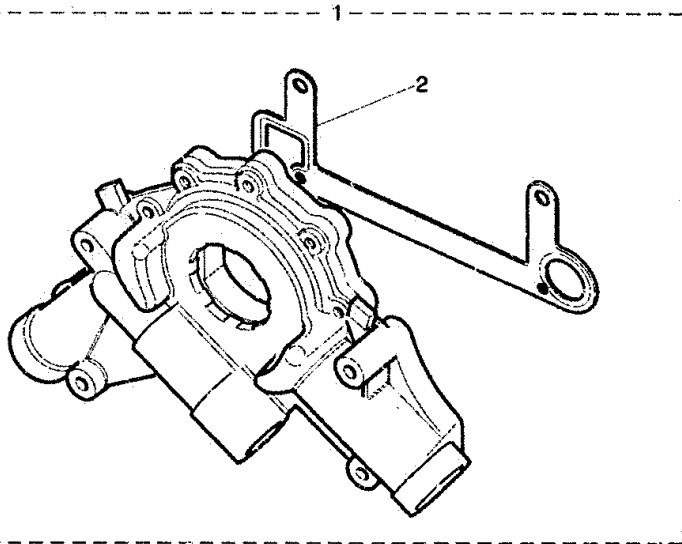
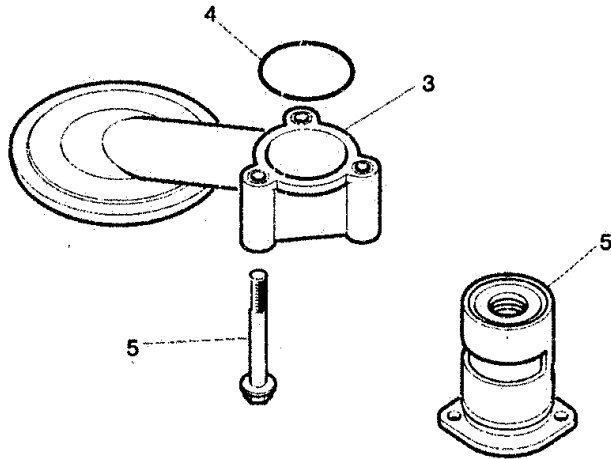
V8 XJ Series

D07
Fiche 1

ENGINE
SUMP AND OIL DELIVERY SYSTEMS

OIL PUMP AND PIPES-3.2 /4.0 LITRE-V8

Qty	Part Number	Description	Quantity	Change Point	Remarks
1	JLM 20065	OIL PUMP-KIT.....	1	(1)	
1	JLM 20578	OIL PUMP KIT.....	1	(2)	
2	NCE 1779AA	- Oil pump gasket-oil pump to cylinder block.....	1		
3	NCA 1711AE	Oil pickup pipe.....	1		
4	NCA 1746AB	Oil seal-oil suction pipe.....	1	(1)	
4	NCE 1746AA	Oil seal-oil suction pipe.....	1	(2)	
5	NCA 1757AB	Oil diverter valve.....	1	 Oil cooler
6	JFC 106106	Flange head bolt-M6 x 50mm.....	7		



TB6296

CHANGE POINTS:

(1) To (V) 853935

(2) From (V) 853936

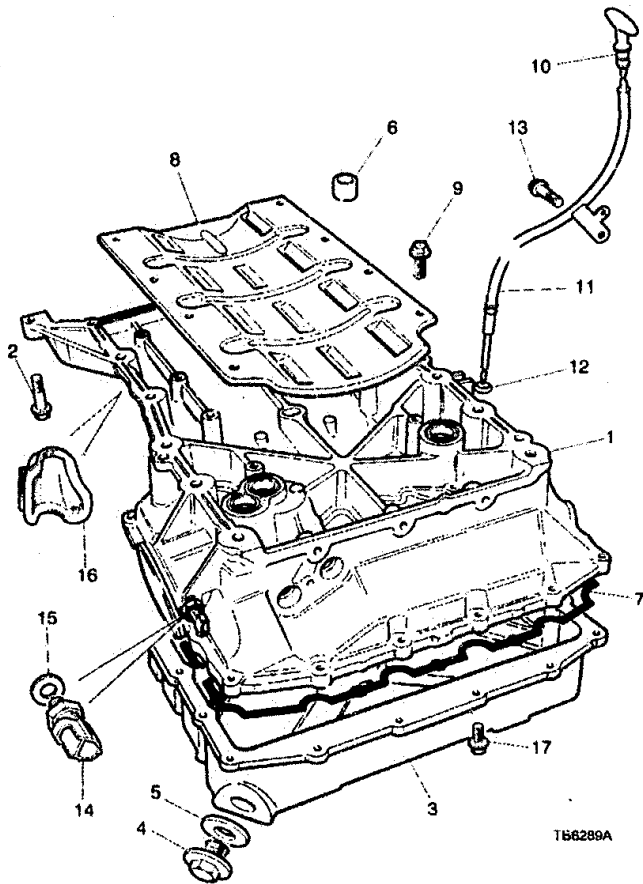
V8 XJ Series

D08
Fiche 1

ENGINE
SUMP AND OIL DELIVERY SYSTEMS

OIL SUMP AND DIPSTICK-3.2/4.0 LITRE -V8

Illus	Part Number	Description	Quantity	Change Point	Remarks
	1 NCA 1750BB	Oil sump body.....	1	(1).....	Oil cooler
	1 NCA 1750DB	Oil sump body.....	1	(2).....	
	1 NNE 1750BC	Oil sump body.....	1	(3).....	
	1 AJB 1250	Oil sump body.....	1	(4).....	
	1 AJB 2248	Oil sump body.....	1	(5).....	
	1 NCA 1750AG	Oil sump body.....	1	(1).....	Except oil cooler
	1 NCA 1750CB	Oil sump body.....	1	(2).....	
	1 NNE 1750AA	Oil sump body.....	1	(3).....	
	1 AJB 1249	Oil sump body.....	1	(4).....	
	1 AJB 2247	Oil sump body.....	1	(5).....	
	2 JFB 1080BB	Hexagonal head flanged bolt.....	16	(6)	
	2 JFB 1080BE	Hexagonal head flanged bolt-M9.....	16	(7)	
	3 NCA 1752AC	Oil sump pan.....	1		
	4 JZS 100098	Screw-ump.....	1		
	5 JWV 114003	Sealing washer-ump.....	1		
	6 EAZ 2159	Dowel.....	1		
	7 NCA 1730AD	Sump pan gasket.....	1		
	8 NCA 1832AA	Windage tray.....	1		
	9 FA 105101 J	Screw-M5.....	8		

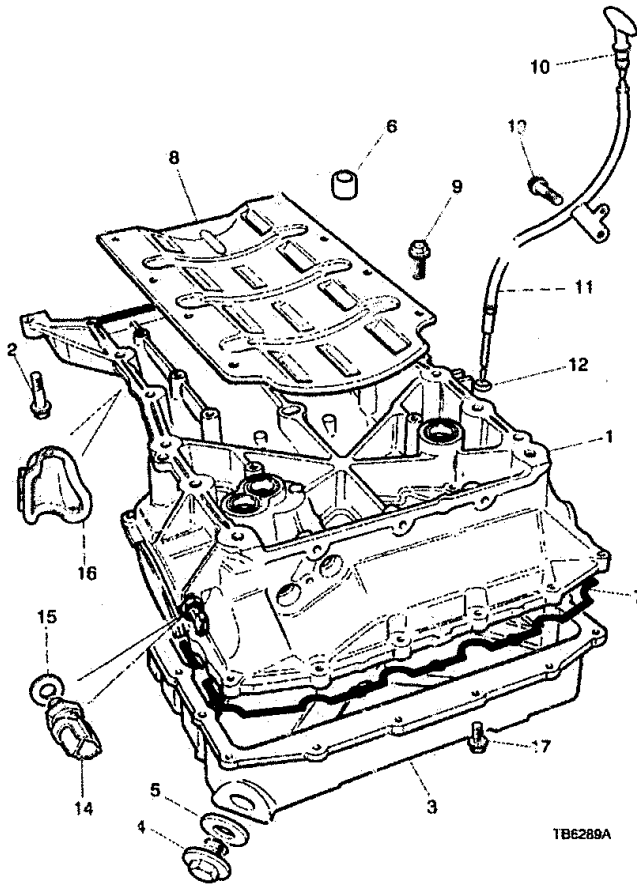


CHANGE POINTS:

- (1) To (V) 835511
- (2) From (V) 835512 To (V) 853935
- (3) From (V) 853936 To (V) 857826
- (4) From (V) 857827 To (V) 878717
- (5) From (V) F00035
- (6) To (V) 853935
- (7) From (V) 853938

OIL SUMP AND DIPSTICK-3.2/4.0 LITRE -V8

Illus	Part Number	Description	Quantity	Change Point	Remarks
	10 NCA 1723AB	Engine oil dipstick	1	(1)	
	10 NNE 1723AA	Engine oil dipstick	1	(2)	
	10 XR8 2806	Engine oil dipstick	1	(3)	
	11 NCA 1706AB	Engine dipstick tube.....	1	(1)	
	11 NNE 1706AC	Engine dipstick tube.....	1	(2)	
	11 NFA 1706AC	Engine dipstick tube.....	1	(3)	
	12 KSH 108624	O-ring	1		
	13 FS 108121 J	Flange screw	1	(1)	
	JFN 10504B	Hexagonal flange nut-M5.....	1	(4)	
	14 LCA 5642AA	Oil pressure switch	1		
	15 JWV 110004	Sealing washer	1		
	16 EAZ 2027	Access plug	1		
	17 JZS 100105	Flange head screw-M6 x 12mm	18	(5)	
	JZH 160059	Bolt and washer -M6 x 20mm	18	(6)	



CHANGE POINTS:

- (1) To (V) 844890
- (2) From (V) 844891 To (V) F00463
- (3) From (V) F00464
- (4) From (V) 853936
- (5) To (V) 835511
- (6) From (V) 835512

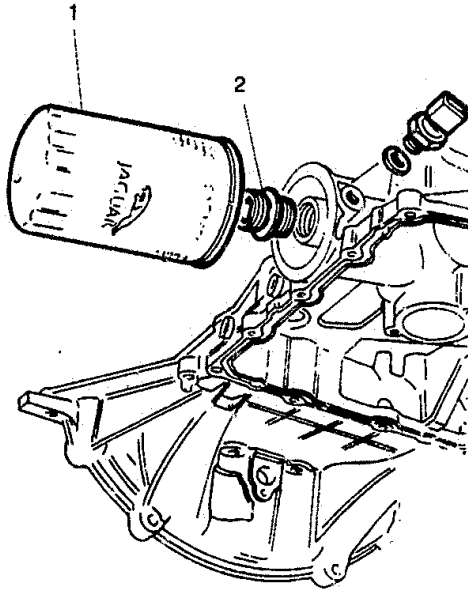
V8 XJ Series

D10
Fiche 1

ENGINE
SUMP AND OIL DELIVERY SYSTEMS

OIL FILTER-3.2/4.0 LITRE-V8

Illus	Part Number	Description	Quantity	Change Point	Remarks
1	EAZ 1354	Oil filter.....	1		
2	NCA 1702AB	Oil filter adaptor	1		



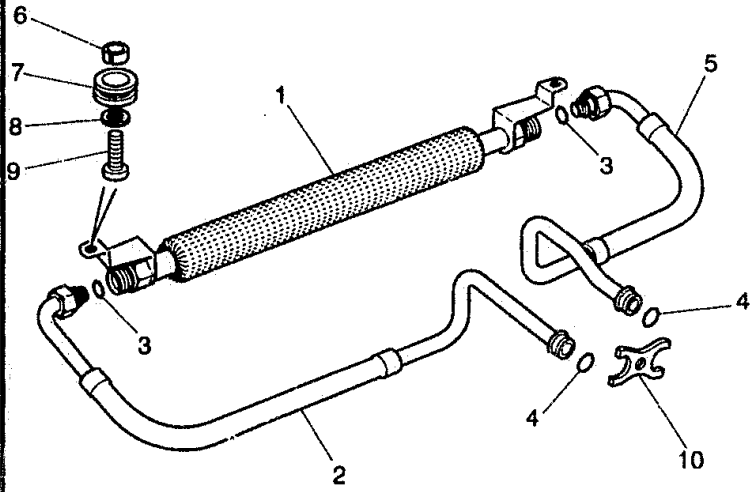
TB6142

V8 XJ Series

D11
Fiche 1

ENGINE
OIL COOLER AND PIPES

OIL COOLER-4.0 LITRE-V8 SUPERCHARGED



Ilus	Part Number	Description	Quantity	Change Point	Remarks
1	MNC 7440BC	Oil cooler.....	1	(1)	
1	MNC 7440BD	Oil cooler.....	1	(2)	
2	MNC 7460AD	FEED HOSE-OIL COOLER.....	1	(3)	
2	MNC 7460AE	FEED HOSE-OIL COOLER.....	1	(4)	
3	KSR 609001	• O-ring	1		
4	KSH 119530	• O-ring	1		
5	MNC 7461AD	RETURN HOSE-OIL COOLER	1	(3)	
5	MNC 7461AE	RETURN HOSE-OIL COOLER	1	(4)	
3	KSR 609001	• O-ring	1		
4	KSH 119530	• O-ring	1		
6	JZT 100015	Spacer	2		
7	CAC 6426	Grommet.....	NLA		Use CBC8262.
8	WJ 108001J	Plain washer	2		
9	JXB 10820F	Torx flange head screw-oil cooler	2		
10	NCA 1759AA	Oil cooler pipe bracket-oil cooler pipe-engine.....	1		

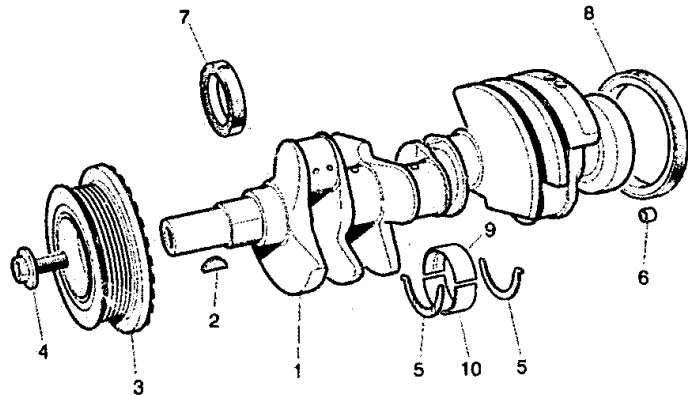
SB6520

CHANGE POINTS:

- (1) To (V) 840034
- (2) From (V) 840035
- (3) To (V) 818581
- (4) From (V) 818582

CRANKSHAFT-3.2 /4.0 LITRE-V8

Illus	Part Number	Description	Quantity	Change Point	Remarks
	1 NCA 1410AD	Crankshaft-selective shells	1		Except 3.2 Litre
	1 NCC 1410AB	Crankshaft-selective shells	1	(1).....	3.2 Litre
	1 NCC 1410AD	Crankshaft-selective shells	1	(2).....	
	2 JZY 100001	Woodruff key-crankshaft	1		
	3 NCA 1411AE	Crankshaft damper	1	(1).....	Except 4.0 Litre supercharged
	3 NCA 1411AF	Crankshaft damper	1	(3).....	
	3 AJB 1330	Crankshaft damper	1	(4).....	
	3 NCC 1411BC	Crankshaft damper	1	(1).....	4.0 Litre supercharged
	3 NCC 1411BD	Crankshaft damper	1	(3).....	
	3 AJB 1331	Crankshaft damper	NLA	(4).....	Use AJ82733.
	3 AJB 2733	Crankshaft damper	1	(4).....	4.0 Litre supercharged
	NCC 1450AA	Split collet-damper to crankshaft	1		
	4 NCA 1451AA	Damper bolt	1		
	5 NCA 1412AA	Crankshaft thrust washer	2	(5)	
	5 NCE 1412BA	Crankshaft thrust washer	2	(4)	
	6 EAZ 2159	Dowel.....	1	(5)	
	6 AJB 1478	Dowel.....	1	(4)	
	7 NCA 2114BA	Crankshaft oil seal-front.....	1		
	8 NCA 1237BA	Crankshaft oil seal-rear	1		



TB6143A

CHANGE POINTS:
 (1) To (V) 818581
 (2) From (V) 818582
 (3) From (V) 818582 To (V) 853935
 (4) From (V) 853936
 (5) To (V) 853935

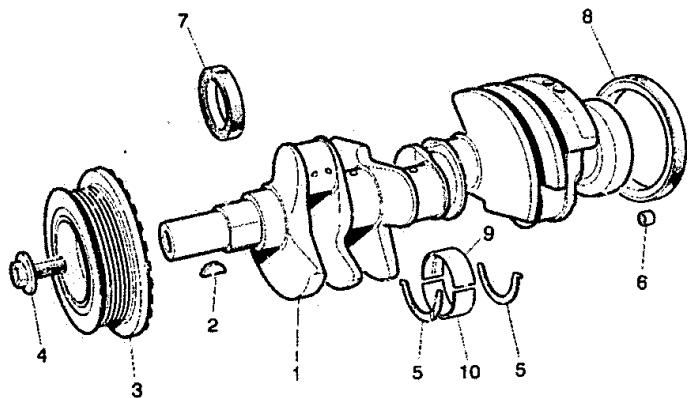
V8 XJ Series

D13
Fiche 1

ENGINE
CRANKSHAFT AND PULLEY

CRANKSHAFT-3.2 /4.0 LITRE-V8

Illus	Part Number	Description	Quantity	Change Point	Remarks
	9 NCA 1404AA 1	Crankshaft main bearing-blue/green-grooved-upper	A/R		
	9 NCA 1404AA 2	Crankshaft main bearing-blue-grooved-upper	A/R		
	9 NCA 1404AA 3	Crankshaft main bearing-green-grooved-upper	A/R		
	9 NCA 1404AA 4	Crankshaft main bearing-yellow-grooved-upper	A/R		
	9 NCA 1404AA 5	Crankshaft main bearing-brown-grooved-upper	A/R		
	10 NCA 1406AA 1	Crankshaft main bearing-blue/green-lower	A/R		
	10 NCA 1406AA 2	Crankshaft main bearing-blue-lower	A/R		
	10 NCA 1406AA 3	Crankshaft main bearing-green-lower	A/R		
	10 NCA 1406AA 4	Crankshaft main bearing-yellow-lower	A/R		
	10 NCA 1406AA 5	Crankshaft main bearing-brown-lower	A/R		



TB6143A

V8 XJ Series

D14
Fiche 1

ENGINE
CONNECTING RODS AND PISTONS

PISTON AND CONNECTING ROD-3.2 /4.0 LITRE-V8

Illus	Part Number	Description	Quantity	Change Point	Remarks	
	1	NCC 1600AD 1	PISTON-ASSEMBLY-GRADE 1.....	8	(1)..... 3.2 Litre	
	1	NCC 1600AD 2	PISTON-ASSEMBLY-GRADE 2.....	8		
	1	NCC 1600AD 3	PISTON-ASSEMBLY-GRADE 3.....	8		
	2	JLM 20147	• Piston ring-set	NLA	Use JLM20929.
		EAZ 1268	• Circlip	2		
	1	NNE 1600BC 1	Piston-assembly-grade 1	8	(2)..... 3.2 Litre	
	1	NNE 1600BC 2	Piston-assembly-grade 2	8		
	1	NNE 1600BC 3	Piston-assembly-grade 3	8		
	1	AJB 1400	Piston-assembly-grade 1	8	(3).....	
	1	AJB 1401	Piston-assembly-grade 2	8		
	1	AJB 1402	Piston-assembly-grade 3	8		
	1	NCA 1600AF 1	PISTON-ASSEMBLY-GRADE 1.....	8	(1)..... 4.0 Litre	
	1	NCA 1600AF 2	PISTON-ASSEMBLY-GRADE 2.....	8		
	1	NCA 1600AF 3	PISTON-ASSEMBLY-GRADE 3.....	8		
	2	JLM 20147	• Piston ring-set	NLA	Use JLM20929.
	EAZ 1268	• Circlip	2			
1	NNE 1600AD 1	Piston-assembly-grade 1	8	(2)..... 4.0 Litre		
1	NNE 1600AD 2	Piston-assembly-grade 2	8			
1	NNE 1600AD 3	Piston-assembly-grade 3	8			
1	AJB 1397	Piston-assembly-grade 1	3	(3).....		
1	AJB 1398	Piston-assembly-grade 2	8			
1	AJB 1399	Piston-assembly-grade 3	8			

TB8141

CHANGE POINTS:

- (1) To (V) 853935
- (2) From (V) 853936 To (E) 9810140000
- (3) From (E) 9810150000

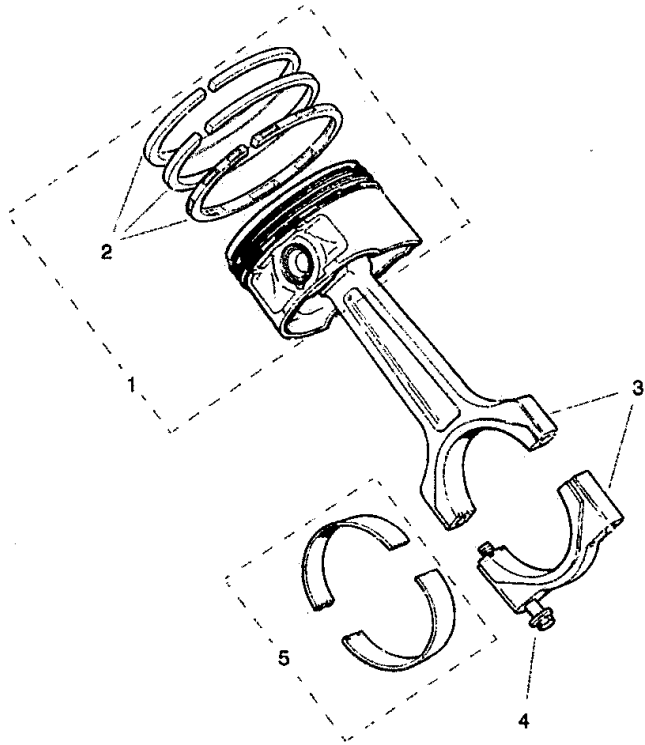
V8 XJ Series

D15
Fiche 1

ENGINE CONNECTING RODS AND PISTONS

PISTON AND CONNECTING ROD-3.2/4.0 LITRE-V8

Illus	Part Number	Description	Quantity	Change Point	Remarks
	1 NCC 1600BC 1	PISTON-ASSEMBLY-GRADE 1	8] (1).....	4.0 Litre supercharged
	1 NCC 1600BC 2	PISTON-ASSEMBLY-GRADE 2	8		
	1 NCC 1600BC 3	PISTON-ASSEMBLY-GRADE 3	8		
	1 AJ8 1295	PISTON-ASSEMBLY-GRADE 1	8] (2).....	4.0 Litre supercharged
	1 AJ8 1296	PISTON-ASSEMBLY-GRADE 2	8		
	1 AJ8 1297	PISTON-ASSEMBLY-GRADE 3	8		
	2 JLM 20147	• Piston ring-set	NLA]	Use JLM20929.
	EAZ 1268	• Circlip	2		
	1 AJ8 1292	Piston-assembly-grade 1	8] (3).....	4.0 Litre supercharged
	1 AJ8 1293	Piston-assembly-grade 2	8		
	1 AJ8 1294	Piston-assembly-grade 3	8		
	1 AJ8 1403	Piston-assembly-grade 1	8		
	1 AJ8 1404	Piston-assembly-grade 2	8] (4).....	
	1 AJ8 1405	Piston-assembly-grade 3	8		
	3 NCA 1610BA	CONNECTING ROD-ASSEMBLY	8]	Except 3.2 Litre 3.2 Litre
	3 NCC 1610BA	CONNECTING ROD-ASSEMBLY	8		
	4 NCA 1614AA	• Bearing cap bolt	2		
	5 NCA 1612AB 2	Big end bearing shell -blue	NLA		Use NCC1612BA2.
	5 NCC 1612BA 2	Big end bearing shell -blue	A/R		
	5 NCA 1612AB 3	Big end bearing shell -green	NLA		Use NCC1612BA3.
	5 NCC 1612BA 3	Big end bearing shell -green	A/R		
	5 NCA 1612AB 4	Big end bearing shell -yellow	NLA		Use NCC1612BA4.
	5 NCC 1612BA 4	Big end bearing shell -yellow	A/R		



TB6141

CHANGE POINTS:

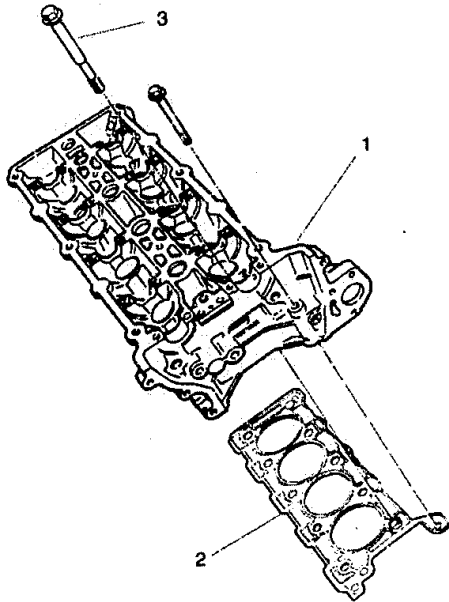
- (1) To (E) 9801220C00
- (2) From (E) 9801230000 To (V) 853935
- (3) From (V) 853936 To (E) 9810140000
- (4) From (E) 9810150000

V8 XJ Series

D16
Fiche 1

ENGINE
CYLINDER HEAD

CYLINDER HEAD AND GASKET-3.2 /4.0 LITRE-V8



Illus	Part Number	Description	Quantity	Change Point	Remarks
1	NCA 2604A3	Cylinder head-with valves-RH A-bank.....	1] (1)	
1	NCA 2605AB	Cylinder head-with valves-LH B-bank.....	1		
1	NRA 2604AD	Cylinder head-with valves-RH A-bank.....	1] (2)	
1	NRA 2605AD	Cylinder head-with valves-LH B-bank.....	1		
1	NCA 2602AF	CYLINDER HEAD-LESS VALVES-RH A-BANK.....	1] (1)	
1	NCA 2603AF	CYLINDER HEAD-LESS VALVES-LH B-BANK.....	1		
	EAZ 1463	• Inlet valve seat insert.....	8		
	EAZ 1904	• Exhaust valve seat insert.....	8		
1	NRA 2602AD	CYLINDER HEAD-LESS VALVES-RH A-BANK.....	1] (2)	
1	NRA 2603AD	CYLINDER HEAD-LESS VALVES-LH B-BANK.....	1		
	NCE 2522AA	• Inlet valve seat insert.....	8		
	NCE 2521AA	• Exhaust valve seat insert.....	8		
2	NCA 2540AC	Cylinder head gasket-RH A-bank.....	1] (3).....] Except 4.0 Litre supercharged
2	NCA 2540AD	Cylinder head gasket-RH A-bank.....	1		
2	NCA 2541AC	Cylinder head gasket-LH B-bank.....	1] (3).....] (4; 5).....
2	NCA 2541AD	Cylinder head gasket-LH B-bank.....	1		
2	NCC 2540BB	Cylinder head gasket-RH A-bank.....	1] (5).....] 4.0 Litre supercharged
2	NCC 2541BB	Cylinder head gasket-LH B-bank.....	1		
2	NCC 2540BC	Cylinder head gasket-RH A-bank.....	1] (6).....] Except 4.0 Litre supercharged
2	NCC 2541BC	Cylinder head gasket-LH B-bank.....	1		
3	NCA 2650AA	Cylinder head bolt-M10 x 175mm.....	20		
	JFB 108186	Flange head bolt.....	4	(1)	
	JFB 10818B	Bolt.....	4	(2)	
	AJ8 2238	Flanged head screw-bracket to engine-M14-20mm.....	2		

788135

CHANGE POINTS:

- (1) To (V) 853935
- (2) From (V) 853936
- (3) To (V) 815180
- (4) From (V) 815181
- (5) To (E) 9803240000
- (6) From (E) 9803250000

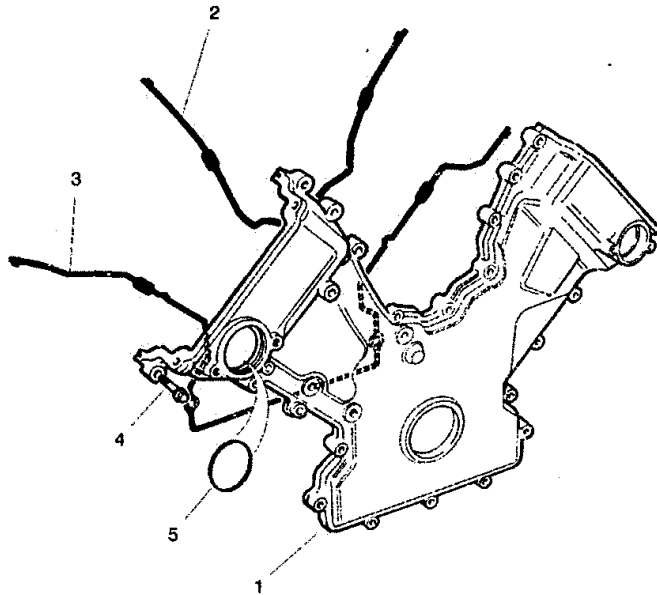
V8 XJ Series

D17
Fiche 1

ENGINE
TIMING CHAINS AND ADJUSTERS

TIMING COVER-3.2/4.0 LITRE-V8

Illus	Part Number	Description	Quantity	Change Point	Remarks
1	NCA 2110AF	Timing cover	1	(1).....] 4.0 Litre
1	NNE 2110AA	Timing cover	1	(2).....	
1	AJB 1757	Timing cover	1	(3).....	
1	NCC 2110BB	Timing cover	1	(1).....] 3.2 Litre
1	AJB 1379	Timing cover	1	(2).....	
1	AJB 1757	Timing cover	1	(3).....	
1	NCC 2110AA	Timing cover	1	(1).....] 4.0 Litre supercharged
1	AJB 1378	Timing cover	1	(4).....	
1	AJB 1758	Timing cover	1	(5).....	
2	NCA 2126AC	Timing cover seal-inner	1		
3	NCA 2127AC	Timing cover seal-outer	1		
4	JFB 10607B	Bolt	24		
5	KSC 145624	O-ring.....	2	 Variable valve timing



T38132

CHANGE POINTS:

- (1) To (E) 9806080000
- (2) From (E) 9806090000 To (E) 9810070000
- (3) From (E) 9810080000
- (4) From (E) 9806090000 To (E) 9809140000
- (5) From (E) 9809150000

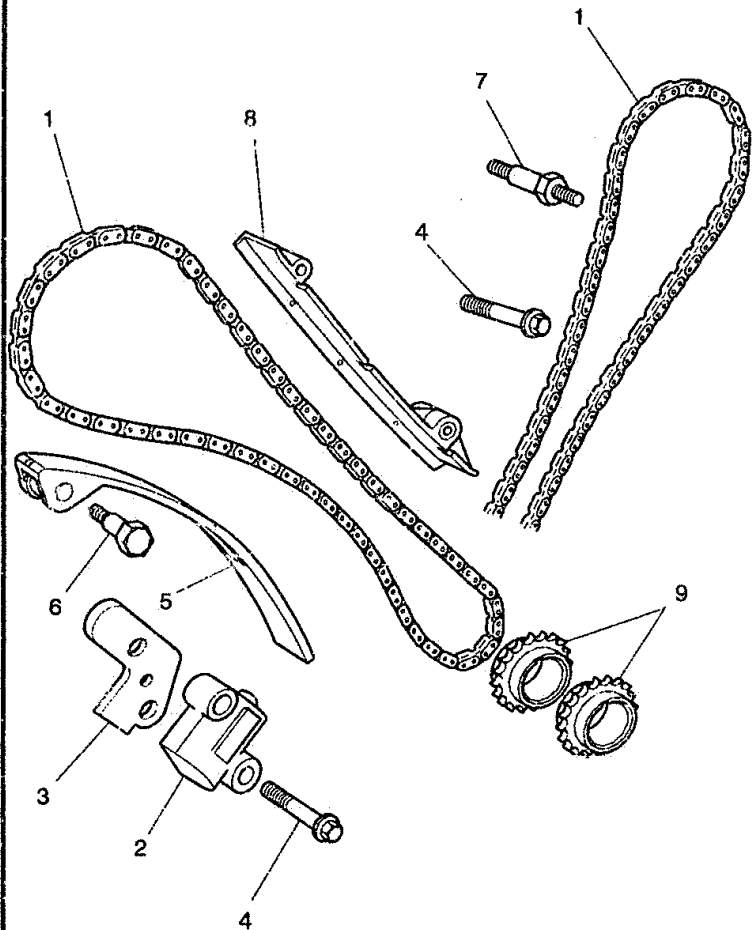
V8 XJ Series

D18
Fiche 1

ENGINE
TIMING CHAINS AND ADJUSTERS

TIMING CHAIN-PRIMARY-3.2 /4.0 LITRE-V8

Illus	Part Number	Description	Quantity	Change Point	Remarks
1	EAZ 1269	Primary timing chain	2		
2	NCA 1995AD	Chain tensioner-primary	2	(1)	
2	NCA 1995AE	Chain tensioner-primary	2	(2)	
2	NCA 1995AF	Chain tensioner-primary	2	(3)	
3	NCA 2002BD	Blanking plate-timing chain tensioner-primary.....	2		
4	JFC 106086	Flange head bolt	6		
5	NCA 2025AB	Chain tensioner blade	2		
6	NCA 2028AA	Pivot bolt-timing chain tensioner	2	 Except variable valve timing
6	NCA 2028AA	Pivot bolt-timing chain tensioner	1	 Variable valve timing
7	NCA 2028BA	Pivot pin-timing chain tensioner	1	
8	NCA 1998AB	Chain guide-timing chain tensioner	2		
9	EAZ 2126	Crankshaft sprocket-engine	2		



S66554

CHANGE POINTS:

- (1) To (V) 814613
- (2) From (V) 814614 To (V) 878717
- (3) From (V) F00035

V8 XJ Series

E01
Fiche 1

ENGINE

MASTER INDEX

GROUP INDEX

ENGINE	1 D
ENGINE MANAGEMENT/EMISSION SYSTEMS	1 G
AIR AND FUEL DELIVERY SYSTEMS	1 H
ENGINE COOLING SYSTEM	1 J
EXHAUST SYSTEM AND COMPONENTS	1 K
TRANSMISSION AND DRIVELINE	1 L
STEERING AND SUSPENSION	2 C
BRAKING SYSTEM	2 F
AIR CONDITIONING/HEATING/VENTILATION	2 G
WIPER AND WASHER SYSTEMS	2 H
ELECTRICAL DISTRIBUTION SYSTEM	2 I
INFORMATION SYSTEMS AND CONTROLS	2 K
BATTERY/STARTER MOTOR/ALTERNATOR	2 L
IN CAR ENTERTAINMENT	2 M
LIGHTING - EXTERIOR/INTERIOR	2 N
LOCKING/SECURITY SYSTEMS/HORNS	2 O
SEATING	3 C
OCCUPANT RESTRAINTS	3 H
INTERIOR TRIM AND LININGS	3 I
EXTERIOR FITTINGS AND SUNROOF	4 C
BODY CLOSURES AND SEALING	4 E
BODY METAL PANELS AND SEALING	4 H
ACCESSORIES/CONSUMABLES/INDEX	4 I

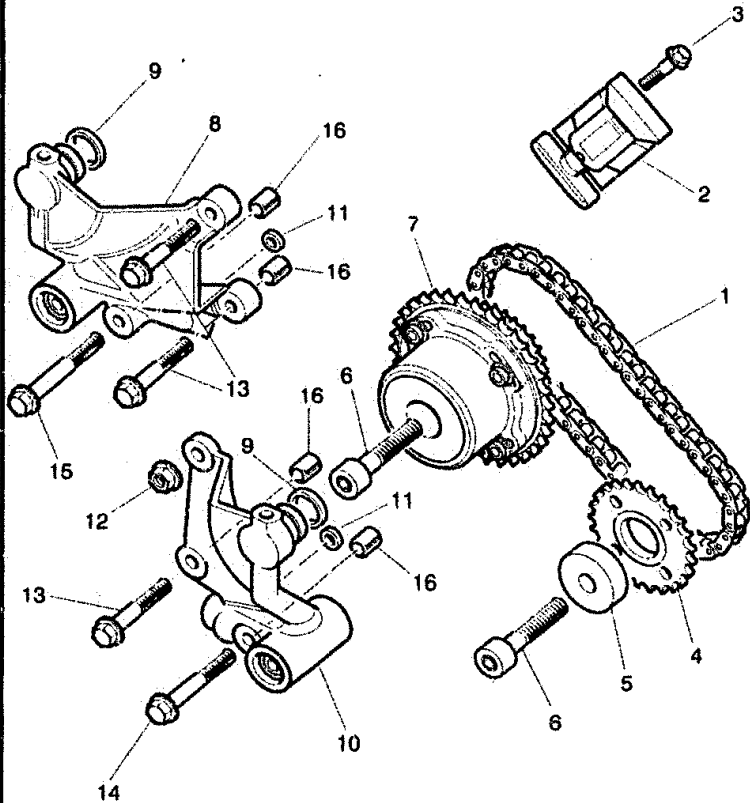
CAMSHAFTS AND VALVE GEAR	1. E 09
CONNECTING RODS AND PISTONS	1. D 14
CRANKSHAFT AND PULLEY	1. D 12
CYLINDER BLOCK	1. D 06
CYLINDER HEAD	1. D 16
DRIVE BELTS AND PULLEYS	1. E 06
DRIVE PLATE AND FLYWHEEL COVERS	1. F 10
ENGINE AND GEARBOX MOUNTING	1. D 04
ENGINE ASSEMBLY	1. D 02
ENGINE GASKET AND SEAL SETS	1. E 18
INLET AND EXHAUST MANIFOLDS	1. F 06
OIL COOLER AND PIPES	1. D 11
SUMP AND OIL DELIVERY SYSTEMS	1. D 07
TIMING CHAINS AND ADJUSTERS	1. D 17

BELT TENSIONER/IDLER PULLEY-3.2/4.0	1. E 08
CAMSHAFT AND VALVES-3.2 /4.0 LITRE-V8	1. E 13
CAMSHAFT COVER AND GASKET-3.2 /4.0	1. E 09
CRANKSHAFT-3.2 /4.0 LITRE-V8	1. D 12
CYLINDER BLOCK AND BEDPLATE	1. D 06
CYLINDER HEAD AND GASKET-3.2 /4.0	1. D 16
CYLINDER HEAD GASKET SET-3.2 /4.0	1. E 18
CYLINDER HEAD GASKET SET-4.0 LITRE-V8	1. F 03
DRIVE BELT-3.2 /4.0 LITRE-V8	1. E 06
DRIVE BELT-SUPERCHARGER	1. E 07
DRIVE PLATE-3.2/4.0 LITRE-V8	1. F 10
ENGINE COVER	1. D 03
ENGINE GASKET SET-LOWER-3.2/4.0	1. F 05
ENGINE MOUNTING FRONT-3.2/4.0 LITRE	1. D 04
EXHAUST MANIFOLD-3.2 /4.0 LITRE-V8	1. F 08
GEARBOX MOUNTING-3.2/4.0 LITRE-V8	1. D 05
INDUCTION MANIFOLD-3.2 /4.0 LITRE-V8	1. F 08
INDUCTION MANIFOLD-4.0 LITRE-V8	1. F 07
OIL COOLER-4.0 LITRE-V8 SUPERCHARGED	1. D 11
OIL FILTER-3.2/4.0 LITRE-V8	1. D 10
OIL PUMP AND PIPES-3.2 /4.0 LITRE-V8	1. D 07
OIL SUMP AND DIPSTICK-3.2/4.0 LITRE -V8	1. D 08
OUTLET DUCT-4.0 LITRE-V8	1. F 09

PISTON AND CONNECTING ROD-3.2 /4.0	1. D 14
TAPPET ADJUSTMENT SHIM-3.2 /4.0 LITRE- ...	1. E 15
TIMING CHAIN- SECONDARY-3.2/4.0 LITRE- ...	1. E 04
TIMING CHAIN-PRIMARY-3.2 /4.0 LITRE-V8	1. D 18
TIMING CHAIN-SECONDARY-4.0 LITRE-V8	1. E 02
TIMING COVER-3.2 /4.0 LITRE-V8	1. D 17

TIMING CHAIN-SECONDARY-4.0 LITRE-V8

Mus	Part Number	Description	Quantity	Change Point	Remarks
1	EAZ 1286	Secondary timing chain	2		
2	NCA 2017AC	Chain tensioner-RH A-bank-secondary	1	(1)	
2	NCA 2017AD	Chain tensioner-RH A-bank-secondary	1	(2)	
2	NCA 2017AE	Chain tensioner-RH A-bank-secondary	1	(3)	
2	NCA 2017AF	Chain tensioner-RH A-bank-secondary	1	(4)	
2	NCA 2017BB	Chain tensioner-LH B-bank-secondary	1	(1)	
2	NCA 2017BC	Chain tensioner-LH B-bank-secondary	1	(2)	
2	NCA 2017BD	Chain tensioner-LH B-bank-secondary	NLA	(3)	Use NCA2017BE.
2	NCA 2017BE	Chain tensioner-LH B-bank-secondary	1	(4)	
3	JFC 106086	Flange head bolt	4		
4	NCA 2026AA	Camshaft sprocket-exhaust-camshaft	2	(5)	
4	NCA 2026CA	Camshaft sprocket-exhaust-camshaft	2	(6)	
5	JZT 100018	Spacer-sprocket to camshaft	2		
6	NCA 2856AB	Socket head bolt-sprocket to camshaft	4	(5)	
6	NCA 2856AB	Socket head bolt-sprocket to camshaft	2	(6)	
	NNE 2856AB	Bolt-variable valve timing	2		
7	NCA 2016AD	Variable valve timing unit-inlet	2	(5)	
7	NNE 2016AB	Variable valve timing unit-inlet	2	(6)	

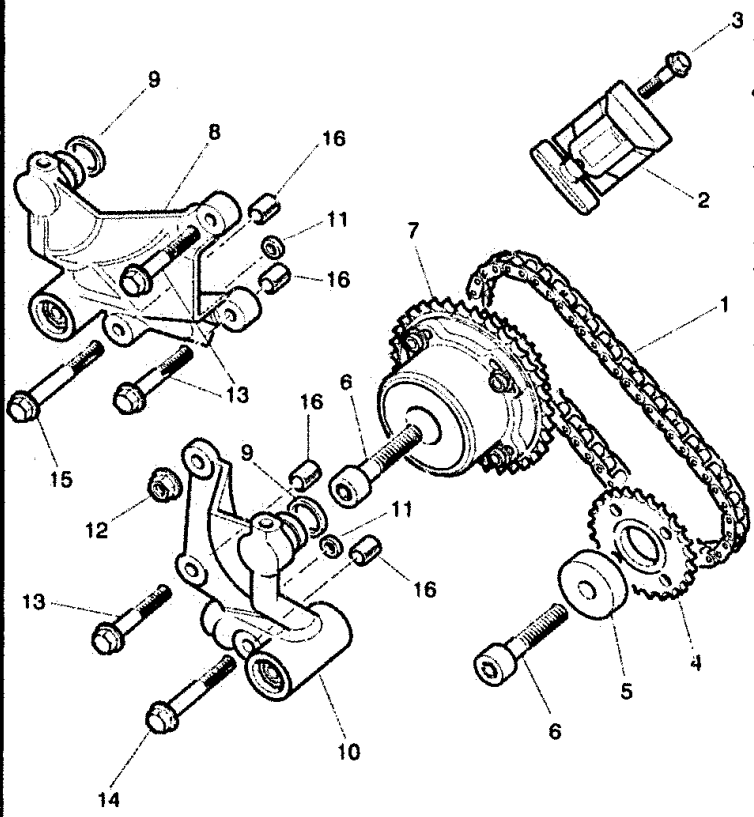


T86297

CHANGE POINTS:

- (1) To (V) 814613
- (2) From (V) 814614 To (V) 835511
- (3) From (V) 835512 To (V) 856755
- (4) From (V) 856758
- (5) To (V) 853935
- (6) From (V) 853936

TIMING CHAIN-SECONDARY-4.0 LITRE-V8



Qty	Part Number	Description	Quantity	Change Point	Remarks
8	NCA 2616CC	MODULE CARRIER -VARIABLE VALVE TIMING-RH A-.....1	1	(1)	
		BANK.....			
10	NCA 2617CC	MODULE CARRIER -VARIABLE VALVE TIMING-LH B-.....1	1	(1)	
		BANK.....			
9	NCA 2622AA	• Sealing ring.....	1	(2)	
8	AJB 1262	MODULE CARRIER -VARIABLE VALVE TIMING-RH A-.....1	1		
10	AJB 1263	MODULE CARRIER -VARIABLE VALVE TIMING-LH B-.....1	1	(2)	
		BANK.....			
9	NNE 2622BA	• Sealing ring-variable valve timing.....	2		
11	KSH 108624	C-ring.....	2		
12	JFN 0804R	Flanged nut.....	1		
13	JFB 10807N	Mounting bolt-M8 x 35mm.....	3		
14	JFB 10810N	Mounting bolt-flanged head.....	1	(1)	
14	JFB 10807B	Mounting bolt-flanged head-M8 x 35mm.....	1	(2)	
15	JFB 10813N	Mounting bolt-M8 x 65mm.....	1		
16	EAZ 2159	Dowel.....	4	(1)	
	EBC 9705	Spring dowel.....	4	(2)	

TB6297

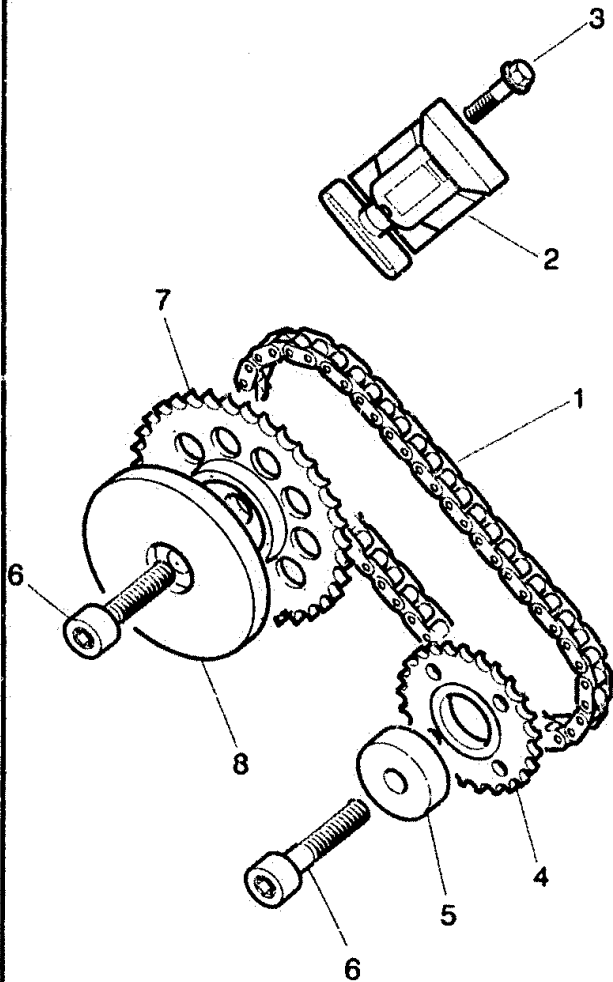
CHANGE POINTS:

(1) To (V) 853935

(2) From (V) 853936

TIMING CHAIN- SECONDARY-3.2/4.0 LITRE-V8-SUPERCHARGED

Qty	Part Number	Description	Quantity	Change Point	Remarks
1	EAZ 1286	Secondary timing chain	2		
2	NCA 2017AC	Chain tensioner-RH A-bank-secondary	1	(1)	
2	NCA 2017AD	Chain tensioner-RH A-bank-secondary	1	(2)	
2	NCA 2017AE	Chain tensioner-RH A-bank-secondary	1	(3)	
2	NCA 2017AF	Chain tensioner-RH A-bank-secondary	1	(4)	
2	NCA 2017BB	Chain tensioner-LH B-bank-secondary	1	(1)	
2	NCA 2017BC	Chain tensioner-LH B-bank-secondary	1	(2)	
2	NCA 2017BD	Chain tensioner-LH B-bank-secondary	NLA	(3)	Use NCA2017BE.
2	NCA 2017BE	Chain tensioner-LH B-bank-secondary	1	(4)	
3	JFC 106088	Flange head bolt	4		
4	NCA 2026AA	Camshaft sprocket-exhaust-camshaft	2	(5)	
4	NCA 2026CA	Camshaft sprocket-exhaust-camshaft	2	(6)	
5	J2T 100018	Spacer sprocket to camshaft	2		
6	NCA 2656AB	Socket head bolt-sprocket to camshaft	4		



CHANGE POINTS:

- (1) To (V) 814613
- (2) From (V) 814614 To (V) 835511
- (3) From (V) 835512 To (V) 856755
- (4) From (V) 856756
- (5) To (V) 853935
- (6) From (V) 853936

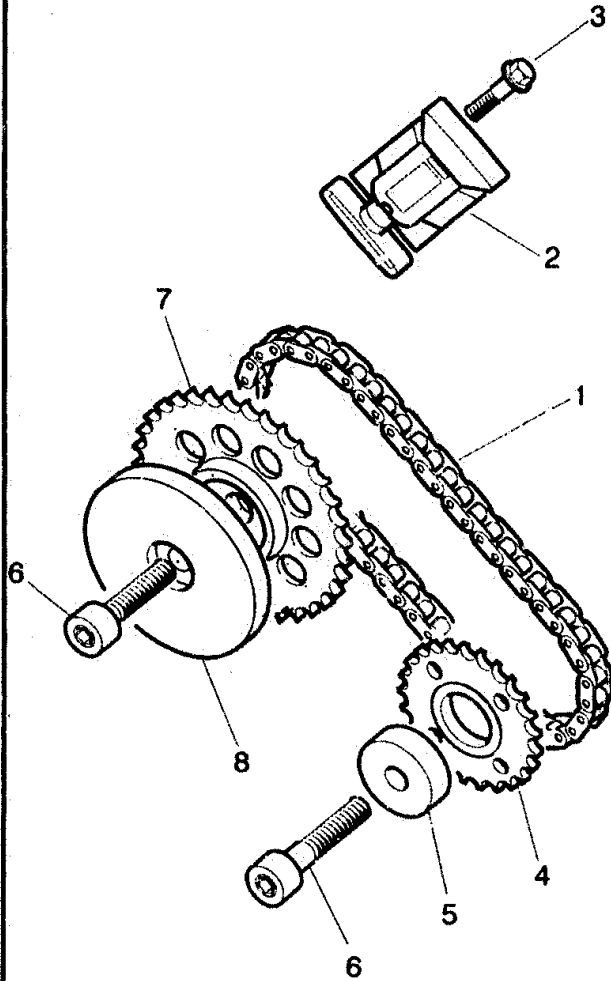
V8 XJ Series

E05
Fiche 1

ENGINE
TIMING CHAINS AND ADJUSTERS

TIMING CHAIN- SECONDARY-3.2/4.0 LITRE-V8-SUPERCHARGED

Qty	Part Number	Description	Quantity	Change Point	Remarks
7	NCC 2009EA	Camshaft sprocket-inlet-camshaft	2	(1)	
7	AJ8 1255	Camshaft sprocket-inlet-camshaft	2	(2)	
8	NCC 2032BA	Flywheel.....	2	(1)	
8	NNE 2032AA	Flywheel.....	NLA	(3)	AJ8 2514 CAN BE USED AS A REPLACEMENT FOR NNE2032AA PROVIDED BOTH FLYWHEELS("A" AND "B" BANKS) ARE CHANGED..
				
				
				
				



CHANGE POINTS:

- SB6389 (1) To (V) 853935
 (2) From (V) 853936
 (3) From (V) 853936 To (V) 878717

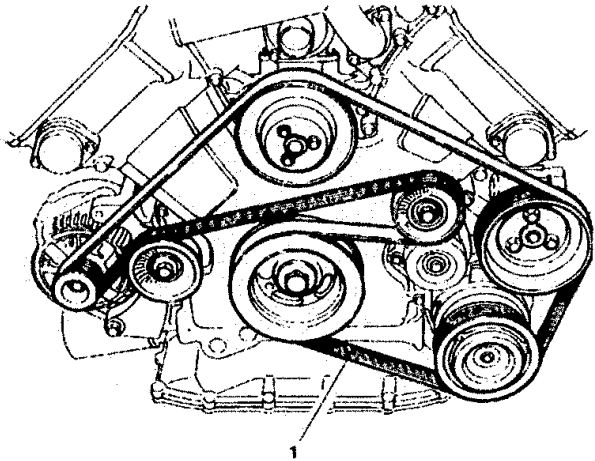
V8 XJ Series

E06
Fiche 1

ENGINE
DRIVE BELTS AND PULLEYS

DRIVE BELT-3.2 /4.0 LITRE-V8

Qty	Part Number	Description	Quantity	Change Point	Remarks
1	NCA 2211AC	Engine drive belt.....	1	Plastic pulley; except 4.0 Litre supercharged
1	NCA 2211CA	Engine drive belt.....	1	Plastic pulley; 4.0 Litre supercharged
1	NCA 2211AE	Engine drive belt.....	1	Metal pulley



T36136

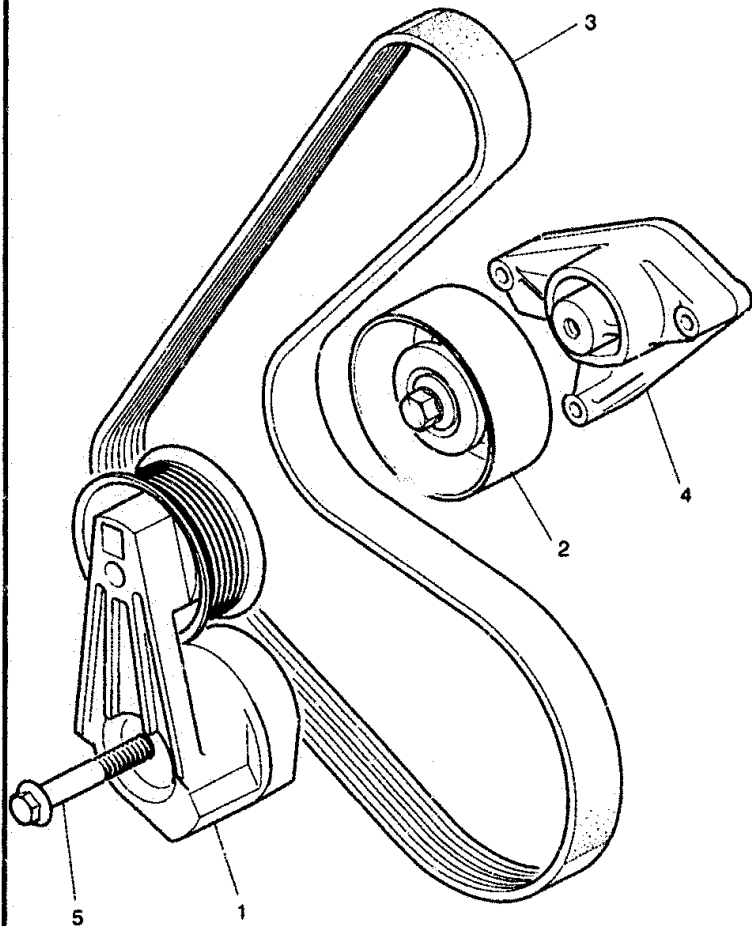
V8 XJ Series

E07
Fiche 1

ENGINE
DRIVE BELTS AND PULLEYS

DRIVE BELT-SUPERCHARGER

Qty	Part Number	Description	Quantity	Change Point	Remarks
1	NCC 7739AC	Drive belt tensioner.....	1		
2	NCC 7753AD	Idler pulley	1		
3	NCC 7740AD	Supercharger drive belt	1	(1).....	Plastic pulley
3	NCC 7740AE	Supercharger drive belt	1	(2).....	Metal pulley
4	NCC 7747AC	Idler mounting bracket	1	(3)	
4	NCC 7747AD	Idler mounting bracket	1	(4)	
	JFB 10615E	Bolt -M6 x 75mm.....	3		
5	JFB 11017B	Flange head bolt	1		
	NCC 2142AA	Oil seal.....	3		



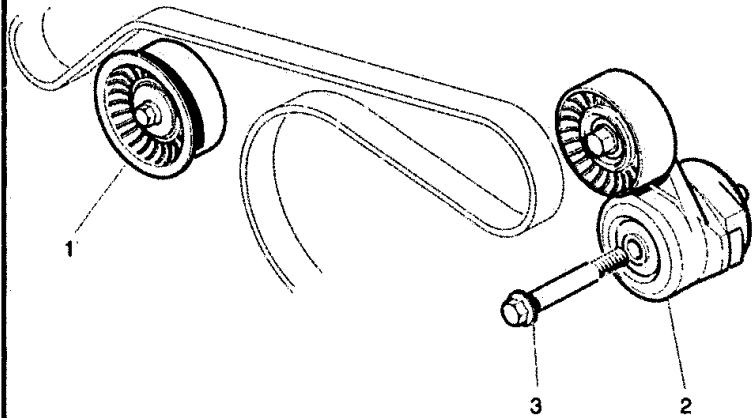
SB6384

CHANGE POINTS:

- (1) To (V) 878717
- (2) From (V) 700035
- (3) To (V) 853935
- (4) From (V) 853936

BELT TENSIONER/IDLER PULLEY-3.2/4.0 LITRE-V8

illus	Part Number	Description	Quantity	Change Point	Remarks
1	NCA 2221AA	Idler pulley	1	(1).....	Plastic pulley
1	AJ6 2266	Idler pulley	1	(2).....	Metal pulley
2	NCA 7739AC	Drive belt tensioner.....	1	(1).....	Plastic pulley
2	NCA 7739AD	Drive belt tensioner.....	1	(2).....	Metal pulley
3	JFB 11017B	Flange head bolt.....	1		

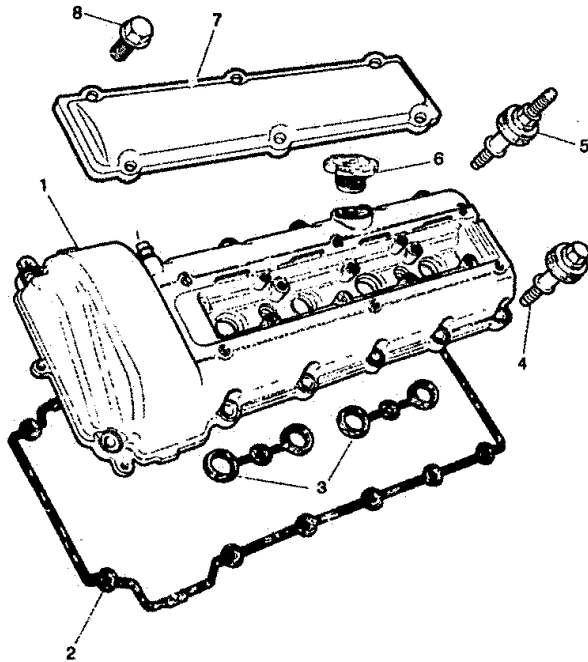


TB6247

CHANGE POINTS:
(1) To (V) 878717
(2) From (V) F00035

CAMSHAFT COVER AND GASKET-3.2/4.0 LITRE-V8

Illus	Part Number	Description	Quantity	Change Point	Remarks
	1 NCA 2563AB	Camshaft cover-LH B-bank	1] (1)	
	1 NCA 2562AB	Camshaft cover-RH A-bank	1		
	1 NNE 2563AC	Camshaft cover-LH B-bank	NLA] (2)	Use AJ81466 qty 1 with AJ81487 qty 1.
	1 NNE 2562AC	Camshaft cover-RH A-bank	1		
	1 NNE 2563AB	Camshaft cover-LH B-bank	1] (3)	Variable valve timing
	1 NNE 2562AB	Camshaft cover-RH A-bank	1		

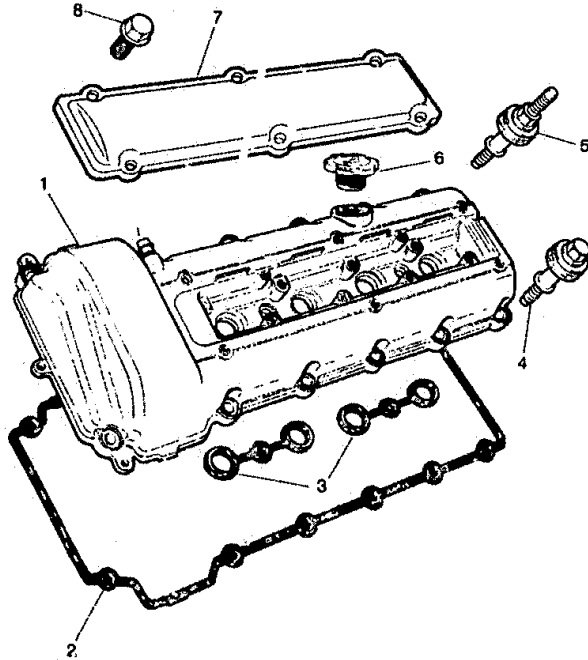


TR6134A

CHANGE POINTS:

- (1) To (V) 814613
- (2) From (V) 814614 To (E) 9811110000
- (3) From (V) 853936 To (E) 9810290000

CAMSHAFT COVER AND GASKET-3.2 /4.0 LITRE-V8



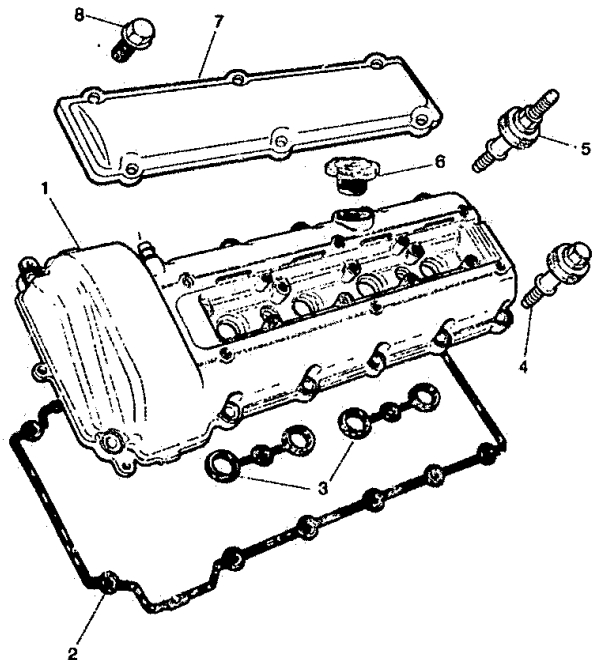
Qty	Part Number	Description	Quantity	Change Point	Remarks
1	AJB 1702	CAMSHAFT COVER-LH B-BANK	NLA	(1)	Use AJ82033. Variable valve timing
2	NCE 2516AB	• Camshaft cover gasket-LH B-bank	1		
3	NCE 2578AA NNE 2525AA	• Spark plug boss seal-camshaft cover • Valve seal-variable valve timing	4 1		
4	NCE 2565CA NCA 2575CA	• CAMSHAFT COVER FASTENER • Isolator-camshaft cover	9 1		
5	NCA 2565BC NCA 2575CA NCE 2565BA	• CAMSHAFT COVER FASTENER-STUD • Isolator-camshaft cover • Mounting spacer-camshaft cover	4 1 1		
6	NCA 2647BB	• Oil filler cap-red	1		
1	AJB 2033	CAMSHAFT COVER-LH B-BANK	1	(1)	Variable valve timing
2	NCE 2516AB	• Camshaft cover gasket-LH B-bank	1		
3	NCE 2578AA NNE 2525AB	• Spark plug boss seal-camshaft cover • Valve seal-variable valve timing	4 1		
4	NCE 2565CA NCA 2575CA	• CAMSHAFT COVER FASTENER • Isolator-camshaft cover	9 1		
5	NCA 2565BC NCA 2575CA NCE 2565BA	• CAMSHAFT COVER FASTENER-STUD • Isolator-camshaft cover • Mounting spacer-camshaft cover	4 1 1		
6	NCA 2647BB	• Oil filler cap-red	1		
1	AJB 1699	CAMSHAFT COVER-RH A-BANK	1	(1)	Variable valve timing
2	NCE 2515AB	• Camshaft cover gasket-RH A-bank	1		
3	NCE 2578AA NNE 2525AA	• Spark plug boss seal-camshaft cover • Valve seal-variable valve timing	4 1		
4	NCE 2565CA NCA 2575CA	• CAMSHAFT COVER FASTENER • Isolator-camshaft cover	10 1		
5	NCA 2565BC NCA 2575CA NCE 2565BA	• CAMSHAFT COVER FASTENER-STUD • Isolator-camshaft cover • Mounting spacer-camshaft cover	3 1 1		

TB6134A

CHANGE POINTS:

(1) From (E) 9810300000

CAMSHAFT COVER AND GASKET-3.2 /4.0 LITRE-V8



Qty	Part Number	Description	Quantity	Change Point	Remarks
1	AJB 1703	CAMSHAFT COVER-LH B-BANK.....	1	(1).....	Except variable valve timing
2	NCE 2516AB	• Camshaft cover gasket-LH B-bank.....	1		
3	NCE 2578AA	• Spark plug boss seal-camshaft cover.....	4		
4	NCE 2565CA	• CAMSHAFT COVER FASTENER.....	9		
	NCA 2575CA	• • Isolator-camshaft cover.....	1		
5	NCA 2565BC	• CAMSHAFT COVER FASTENER-STUD.....	4		
	NCA 2575CA	• • Isolator-camshaft cover.....	1		
	NCE 2565BA	• Mounting spacer-camshaft cover.....	1		
6	NCA 2647BB	• Oil filler cap-red.....	1		
1	AJB 1700	CAMSHAFT COVER-RH A-BANK.....	NLA	(1).....	Use AJ82553. Except variable valve timing
1	AJB 2553	CAMSHAFT COVER-RH A-BANK.....	1	(1).....	Except variable valve timing
2	NCE 2515AB	• Camshaft cover gasket-RH A-bank.....	1		
3	NCE 2578AA	• Spark plug boss seal-camshaft cover.....	4		
4	NCE 2565CA	• CAMSHAFT COVER FASTENER.....	10		
	NCA 2575CA	• • Isolator-camshaft cover.....	1		
5	NCA 2565BC	• CAMSHAFT COVER FASTENER-STUD.....	3		
	NCA 2575CA	• • Isolator-camshaft cover.....	1		
	NCE 2565BA	• Mounting spacer-camshaft cover.....	1		
2	NCA 2516AE	Camshaft cover gasket-LH B-bank.....	1] (2)	
2	NCA 2515AE	Camshaft cover gasket-RH A-bank.....	1		
3	NCA 2578BB	Spark plug boss seal-camshaft cover.....	4	(2)	

TB6134A

CHANGE POINTS:

(1) From (E) 9811120000

(2) To (E) 9810290000

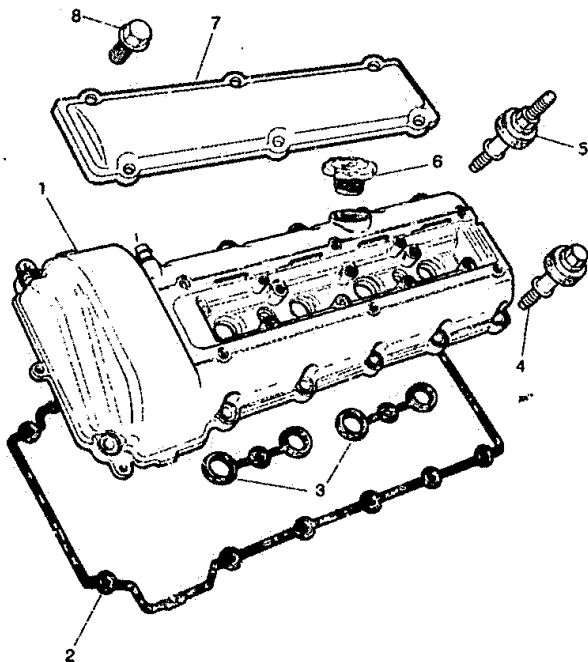
V8 XJ Series

E12
Fiche 1

ENGINE
CAMSHAFTS AND VALVE GEAR

CAMSHAFT COVER AND GASKET-3.2 /4.0 LITRE-V8

Illus.	Part Number	Description	Quantity	Change Point	Remarks
	4 NCA 2565AC	CAMSHAFT COVER FASTENER	22	(1)	
	4 NCE 2565CA	CAMSHAFT COVER FASTENER	20	(2)	
	5 NCA 2565BC	CAMSHAFT COVER FASTENER-STUD	6		
	NCA 2575CA	• Isolator-camshaft cover	1		
	NCE 2585BA	Mounting spacer-camshaft cover.....	2] (2)	
	NCE 2644AA	Camshaft cover bolt-rear -inner	2		
	6 NCA 2647BB	Oil filler cap-red.....	1		
	7 NCA 2570CA	On plug coil cover-cylinder head	2		
	8 JFS 10512C	Flange head screw-M5 x 12mm	12		
	NCB 2581AA	Badge-coil cover-LH B-bank-Jaguar.....	1		4.0 Litre supercharged;Jaguar
	NCB 2580AA	Badge-coil cover-LH B-bank-Daimler	1		4.0 Litre supercharged;Daimler
	LRA 1536BA	Solenoid valve-variable valve timing	2	(3).....] 4.0 Litre
	NNE 2525AA	Valve seal-variable valve timing	2	(4).....	
	NNE 2525AB	Valve seal-variable valve timing	2	(5).....	



TB6134A

CHANGE POINTS:

- (1) To (V) 832627
- (2) From (V) 832628
- (3) From (V) 853936
- (4) From (V) 853936 To (V) 864141
- (5) From (V) 864142

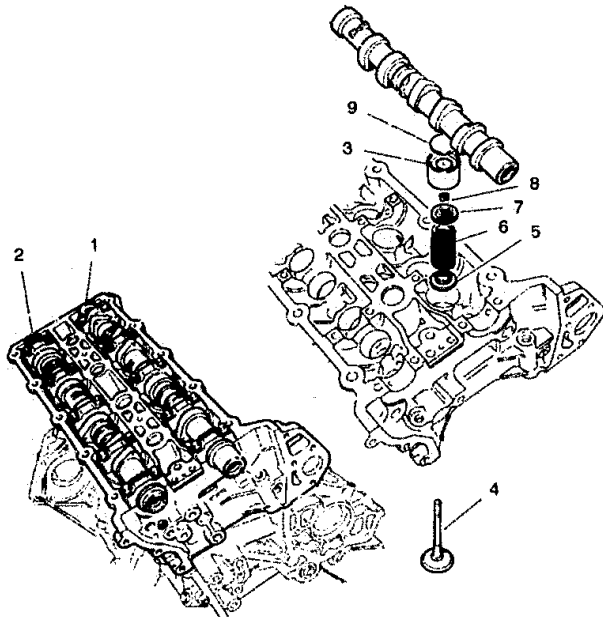
V8 XJ Series

E13
Fiche 1

ENGINE
CAMSHAFTS AND VALVE GEAR

CAMSHAFT AND VALVES-3.2 /4.0 LITRE-V8

Qty	Part Number	Description	Quantity	Change Point	Remarks
1	NCA 2502AA	Inlet camshaft-RH A-bank.....	1] (1).....	4.0 Litre
1	NCA 2547BA	Inlet camshaft-LH B-bank.....	1		
1	NCC 2502CA	Inlet camshaft-RH A-bank.....	1].....	3.2 Litre
1	NCC 2503CA	Inlet camshaft-LH B-bank.....	1		
1	NRA 2502AB	Inlet camshaft-RH A-bank.....	1] (2).....	4.0 Litre
1	NRA 2503AB	Inlet camshaft-LH B-bank.....	1		
1	NNE 2502CB	Inlet camshaft-RH A-bank.....	1] (2).....	4.0 Litre supercharged
1	NNE 2503CB	Inlet camshaft-LH B-bank.....	1		
1	NNE 2502BB	Inlet camshaft-RH A-bank.....	1] (2).....	3.2 Litre
1	NNE 2503BB	Inlet camshaft-LH B-bank.....	1		
	NCA 2613CA	Timing ring.....	1] (1).....	Except 4.0 Litre supercharged.
	NNE 2613DA	Timing ring.....	2		
	NCA 2613CA	Timing ring.....	1] (3).....	4.0 Litre supercharged
	NNE 2613DA	Timing ring.....	2		
2	NCC 2504CA	Exhaust camshaft-RH A-bank.....	1] (1)	4.0 Litre
2	NCC 2505CA	Exhaust camshaft-LH B-bank.....	1		
2	NRA 2504AA	Exhaust camshaft-RH A-bank.....	1] (2).....	3.2 Litre
2	NRA 2505AA	Exhaust camshaft-LH B-bank.....	1		
2	NNE 2504BA	Exhaust camshaft-RH A-bank.....	1].....	4.0 Litre supercharged
2	NNE 2505BA	Exhaust camshaft-LH B-bank.....	1		
2	NNE 2505BA	Exhaust camshaft-LH B-bank.....	1] (2).....	4.0 Litre supercharged
2	NNE 2504BA	Exhaust camshaft-RH A-bank.....	1		



TB6143

CHANGE POINTS:

- (1) To (V) 853935
- (2) From (V) 853936
- (3) To (V) 878717
- (4) From (V) F00035

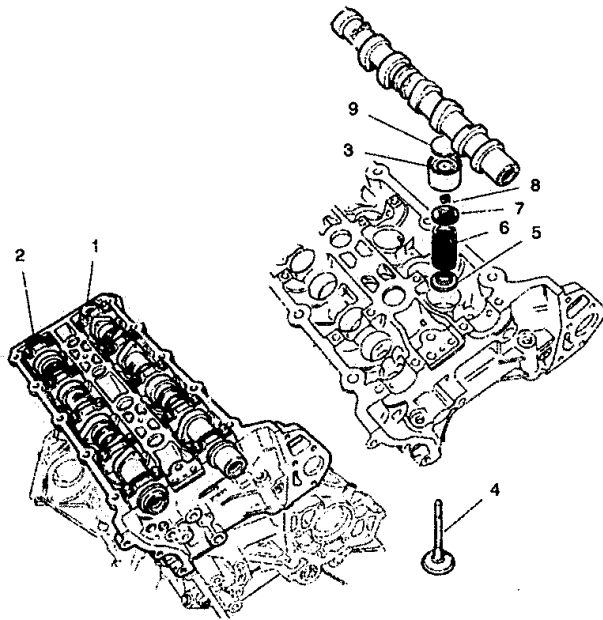
V8 XJ Series

E14
Fiche 1

ENGINE
CAMSHAFTS AND VALVE GEAR

CAMSHAFT AND VALVES-3.2 /4.0 LITRE-V8

Illus	Part Number	Description	Quantity	Change Point	Remarks
	3 NCA 2543AB	Tappet.....	32	(1)	
	3 NCE 2543AA	Tappet.....	32	(2)	
	4 NCA 2533BA	Inlet valve.....	16		
	NCA 2532AA	Exhaust valve.....	16		
	5 EAZ 1314	Valve spring seat	32	(1)	
	5 NCE 2528AC	Valve spring seat	32	(2)	
	6 NCC 2535AA	Valve spring-cylinder head.....	32	(1)	
	6 NCE 2535CA	Valve spring-cylinder head.....	32	(2)	
	7 NCA 2517BA	Valve collar	32		
	8 EAZ 1317	Valve cotter	64		
	JZA 100033	Blind rivet-blanking	2	 3.2 Litre
				 4.0 Litre supercharged



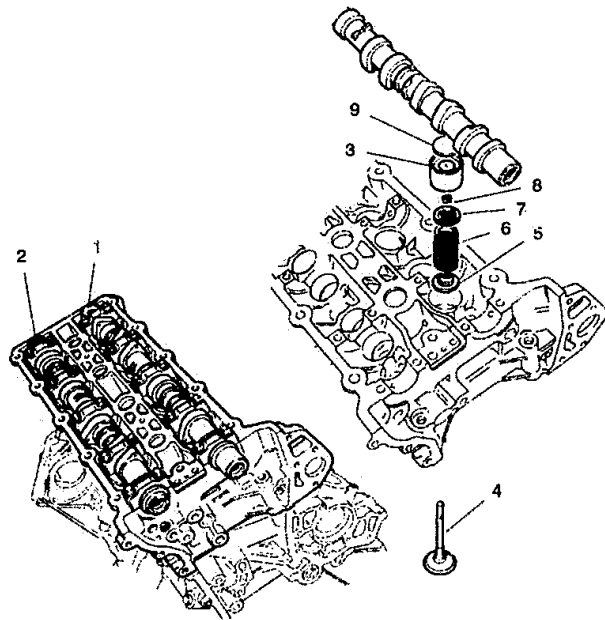
TB8140

CHANGE POINTS:

(1) To (V) 853935

(2) From (V) 85393E

TAPPET ADJUSTMENT SHIM-3.2 /4.0 LITRE-V8



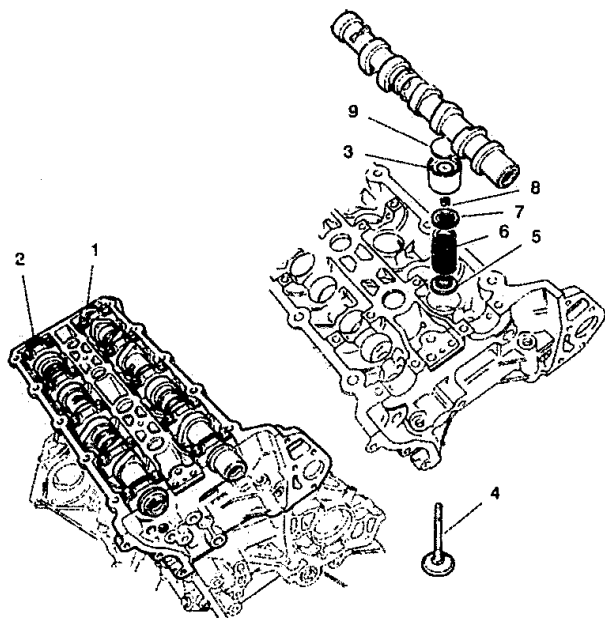
TB6143

Illus	Part Number	Description	Quantity	Change Point	Remarks
	9 NCA 2542DA 1	Tappet adjustment shim-2.18mm.....	32	(1)	
	9 NCA 2542DA 2	Tappet adjustment shim-2.2mm.....	32		
	9 NCA 2542DA 3	Tappet adjustment shim-2.22mm.....	32		
	9 NCA 2542DA 4	Tappet adjustment shim-2.24mm.....	32		
	9 NCA 2542DA 5	Tappet adjustment shim-2.26mm.....	32		
	9 NCA 2542DA 6	Tappet adjustment shim-2.28mm.....	32		
	9 NCA 2542DA 7	Tappet adjustment shim-2.3mm.....	32		
	9 NCA 2542DA 8	Tappet adjustment shim-2.32mm.....	32		
	9 NCA 2542DA 9	Tappet adjustment shim-2.34mm.....	32		
	9 NCA 2542DA 10	Tappet adjustment shim-2.36mm.....	32		
	9 NCA 2542DA 11	Tappet adjustment shim-2.38mm.....	32		
	9 NCA 2542DA 12	Tappet adjustment shim-2.4mm.....	32		
	9 NCA 2542DA 13	Tappet adjustment shim-2.42mm.....	32		
	9 NCA 2542DA 14	Tappet adjustment shim-2.44mm.....	32		
	9 NCA 2542DA 15	Tappet adjustment shim-2.46mm.....	32		
	9 NCA 2542DA 16	Tappet adjustment shim-2.48mm.....	32		
	9 NCA 2542EA 1	Tappet adjustment shim-2.5mm.....	32		
	9 NCA 2542EA 2	Tappet adjustment shim-2.52mm.....	32		
	9 NCA 2542EA 3	Tappet adjustment shim-2.54mm.....	32		
	9 NCA 2542EA 4	Tappet adjustment shim-2.56mm.....	32		
	9 NCA 2542EA 5	Tappet adjustment shim-2.58mm.....	32		
	9 NCA 2542EA 6	Tappet adjustment shim-2.6mm.....	32		
	9 NCA 2542EA 7	Tappet adjustment shim-2.62mm.....	32		
	9 NCA 2542EA 8	Tappet adjustment shim-2.64mm.....	32		
	9 NCA 2542EA 9	Tappet adjustment shim-2.66mm.....	32		
	9 NCA 2542EA 10	Tappet adjustment shim-2.68mm.....	32		
	9 NCA 2542EA 11	Tappet adjustment shim-2.7mm.....	32		
	9 NCA 2542EA 12	Tappet adjustment shim-2.72mm.....	32		
	9 NCA 2542EA 13	Tappet adjustment shim-2.74mm.....	32		
	9 NCA 2542EA 14	Tappet adjustment shim-2.76mm.....	32		
	9 NCA 2542EA 15	Tappet adjustment shim-2.78mm.....	32		
	9 NCA 2542EA 16	Tappet adjustment shim-2.8mm.....	32		
	9 NCA 2542FA 1	Tappet adjustment shim-2.82mm.....	32		
	9 NCA 2542FA 2	Tappet adjustment shim-2.84mm.....	32		
	9 NCA 2542FA 3	Tappet adjustment shim-2.86mm.....	32		
	9 NCA 2542FA 4	Tappet adjustment shim-2.88mm.....	32		
	9 NCA 2542FA 5	Tappet adjustment shim-2.9mm.....	32		

CHANGE POINTS:
(1) To (V) 853935

TAPPET ADJUSTMENT SHIM-3.2 /4.0 LITRE-V8

Illus	Part Number	Description	Quantity	Change Point	Remarks
	9 NCE 2542AA 1	Tappet adjustment shim-2.18mm.....	32	(1)	
	9 NCE 2542AA 2	Tappet adjustment shim-2.195mm.....	32		
	9 NCE 2542AA 3	Tappet adjustment shim-2.21mm.....	32		
	9 NCE 2542AA 4	Tappet adjustment shim-2.225mm.....	32		
	9 NCE 2542AA 5	Tappet adjustment shim-2.24mm.....	32		
	9 NCE 2542AA 6	Tappet adjustment shim-2.255mm.....	32		
	9 NCE 2542AA 7	Tappet adjustment shim-2.27mm.....	32		
	9 NCE 2542AA 8	Tappet adjustment shim-2.285mm.....	32		
	9 NCE 2542AA 9	Tappet adjustment shim-2.3mm.....	32		
	9 NCE 2542AA 10	Tappet adjustment shim-2.315mm.....	32		
	9 NCE 2542AA 11	Tappet adjustment shim-2.33mm.....	32		
	9 NCE 2542AA 12	Tappet adjustment shim-2.345mm.....	32		
	9 NCE 2542AA 13	Tappet adjustment shim-2.36mm.....	32		
	9 NCE 2542AA 14	Tappet adjustment shim-2.375mm.....	32		
	9 NCE 2542AA 15	Tappet adjustment shim-2.39mm.....	32		
	9 NCE 2542AA 16	Tappet adjustment shim-2.405mm.....	32		
	9 NCE 2542BA 1	Tappet adjustment shim-2.42mm.....	32		
	9 NCE 2542BA 2	Tappet adjustment shim-2.435mm.....	32		
	9 NCE 2542BA 3	Tappet adjustment shim-2.45mm.....	32		
	9 NCE 2542BA 4	Tappet adjustment shim-2.465mm.....	32		
	9 NCE 2542BA 5	Tappet adjustment shim-2.48mm.....	32		
	9 NCE 2542BA 6	Tappet adjustment shim-2.495mm.....	32		
	9 NCE 2542BA 7	Tappet adjustment shim-2.51mm.....	32		
	9 NCE 2542BA 8	Tappet adjustment shim-2.525mm.....	32		
	9 NCE 2542BA 9	Tappet adjustment shim-2.54mm.....	32		
	9 NCE 2542BA 10	Tappet adjustment shim-2.555mm.....	32		
	9 NCE 2542BA 11	Tappet adjustment shim-2.57mm.....	32		
	9 NCE 2542BA 12	Tappet adjustment shim-2.585mm.....	32		
	9 NCE 2542BA 13	Tappet adjustment shim-2.6mm.....	32		
	9 NCE 2542BA 14	Tappet adjustment shim-2.615mm.....	32		
	9 NCE 2542BA 15	Tappet adjustment shim-2.63mm.....	32		
	9 NCE 2542BA 16	Tappet adjustment shim-2.645mm.....	32		



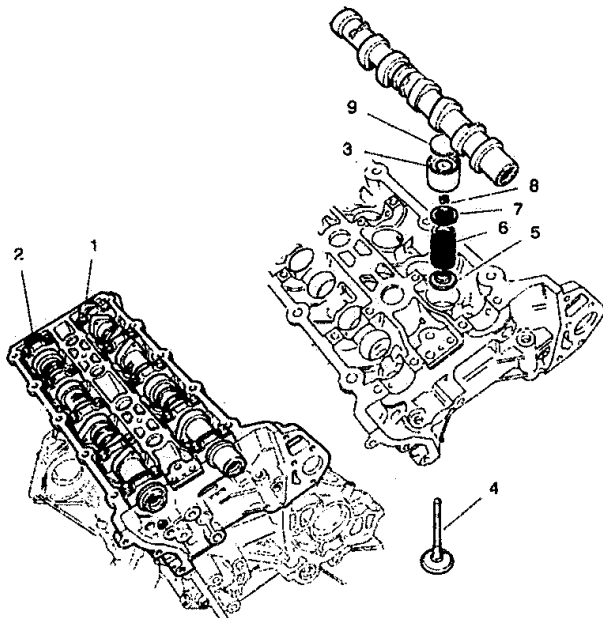
TB8140

CHANGE POINTS:

(1) From (V) 853936

TAPPET ADJUSTMENT SHIM-3.2 /4.0 LITRE-V8

Illus	Part Number	Description	Quantity	Change Point	Remarks
	9 NCE 2542CA 1	Tappet adjustment shim-2.66mm.....	32	(1)	
	9 NCE 2542CA 2	Tappet adjustment shim-2.675mm.....	32		
	9 NCE 2542CA 3	Tappet adjustment shim-2.69mm.....	32		
	9 NCE 2542CA 4	Tappet adjustment shim-2.705mm.....	32		
	9 NCE 2542CA 5	Tappet adjustment shim-2.72mm.....	32		
	9 NCE 2542CA 6	Tappet adjustment shim-2.735mm.....	32		
	9 NCE 2542CA 7	Tappet adjustment shim-2.75mm.....	32		
	9 NCE 2542CA 8	Tappet adjustment shim-2.765mm.....	32		
	9 NCE 2542CA 9	Tappet adjustment shim-2.78mm.....	32		
	9 NCE 2542CA 10	Tappet adjustment shim-2.795mm.....	32		
	9 NCE 2542CA 11	Tappet adjustment shim-2.81mm.....	32		
	9 NCE 2542CA 12	Tappet adjustment shim-2.825mm.....	32		
	9 NCE 2542CA 13	Tappet adjustment shim-2.84mm.....	32		
	9 NCE 2542CA 14	Tappet adjustment shim-2.855mm.....	32		
	9 NCE 2542CA 15	Tappet adjustment shim-2.87mm.....	32		
	9 NCE 2542CA 16	Tappet adjustment shim-2.885mm.....	32		
	9 NCE 2542DA 1	Tappet adjustment shim-2.9mm.....	32		
	9 NCE 2542DA 2	Tappet adjustment shim-2.915mm.....	32		



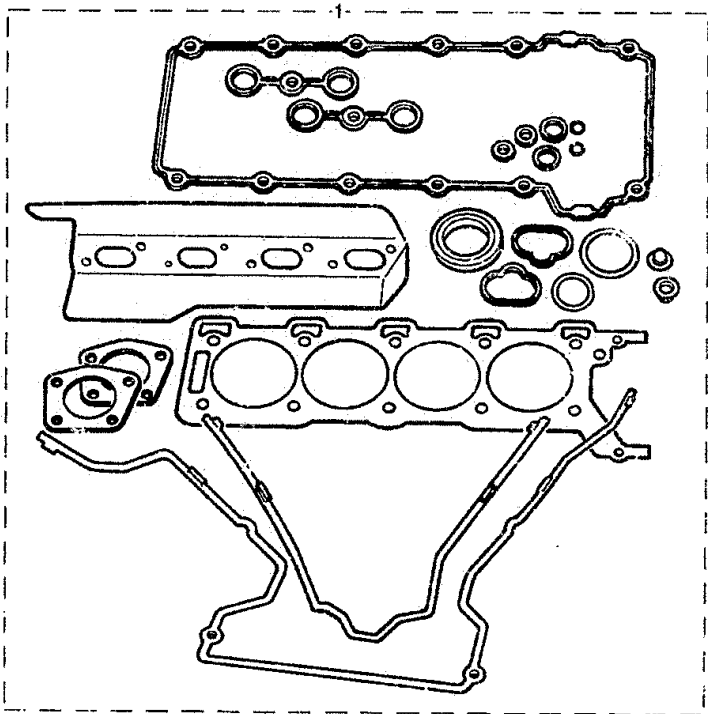
TB6140

CHANGE POINTS:

(1) From (V) 853936

CYLINDER HEAD GASKET SET-3.2 /4.0 LITRE-V8

illus	Part Number	Description	Quantity	Change Point	Remarks
1	JLM 12440	CYLINDER HEAD GASKET SET	1	(1)	
	NCA 2578BB	• Spark plug boss seal-camshaft cover	4		
	NCA 2575CA	• Isolator-camshaft cover	28		
	NCA 3016BA	• Seal-inlet manifold	8		
	NCA 2268BC	• Water outlet seal-cylinder head	2		
	NCA 2269BC	• Seal-thermostat housing to cylinder head	1		
	EAZ 2050	• Gasket-downpipe to manifold	2		
	NCA 2906AD	• Exhaust manifold gasket-RH A-bank	1		
	NCA 2907AD	• Exhaust manifold gasket-LH B-bank	1		
	NCA 2126AC	• Timing cover seal-inner	1		
	NCA 2127AC	• Timing cover seal-outer	1		
	KSH 108624	• O-ring	2		
	NCA 2622AA	• Sealing ring	2		
	EAZ 2010	• Crankshaft oil seal-front	1		
	NCA 2515AC	• Camshaft cover gasket-RH A-bank	1		
	NCA 2516AC	• Camshaft cover gasket-LH B-bank	1		
	NCA 2549AD	• Cylinder head gasket-RH A-bank	1		
	NCA 2541AD	• Cylinder head gasket-LH B-bank	1		
	EAZ 1314	• Valve spring seat	32		



TB 6398

CHANGE POINTS:
(1) To (E) 9803240000

V8 XJ Series

F01
Fiche 1

ENGINE

MASTER INDEX

GROUP INDEX

ENGINE	1 D
ENGINE MANAGEMENT/EMISSION SYSTEMS	1 G
AIR AND FUEL DELIVERY SYSTEMS	1 H
ENGINE COOLING SYSTEM	1 J
EXHAUST SYSTEM AND COMPONENTS	1 K
TRANSMISSION AND DRIVELINE	1 L
STEERING AND SUSPENSION	2 C
BRAKING SYSTEM	2 F
AIR CONDITIONING/HEATING/VENTILATION	2 G
WIPER AND WASHER SYSTEMS	2 H
ELECTRICAL DISTRIBUTION SYSTEM	2 I
INFORMATION SYSTEMS AND CONTROLS	2 K
BATTERY/STARTER MOTOR/ALTERNATOR	2 L
IN CAR ENTERTAINMENT	2 M
LIGHTING - EXTERIOR/INTERIOR	2 N
LOCKING/SECURITY SYSTEMS/HORNS	2 O
SEATING	3 C
OCCUPANT RESTRAINTS	3 H
INTERIOR TRIM AND LININGS	3 I
EXTERIOR FITTINGS AND SUNROOF	4 C
BODY CLOSURES AND SEALING	4 E
BODY METAL PANELS AND SEALING	4 H
ACCESSORIES/CONSUMABLES/INDEX	4 I

CAMSHAFTS AND VALVE GEAR	1. E 09
CONNECTING RODS AND PISTONS	1. D 14
CRANKSHAFT AND PULLEY	1. D 12
CYLINDER BLOCK	1. D 08
CYLINDER HEAD	1. D 16
DRIVE BELTS AND PULLEYS	1. E 08
DRIVE PLATE AND FLYWHEEL COVERS	1. F 10
ENGINE AND GEARBOX MOUNTING	1. D 04
ENGINE ASSEMBLY	1. D 02
ENGINE GASKET AND SEAL SETS	1. E 18
INLET AND EXHAUST MANIFOLDS	1. F 06
OIL COOLER AND PIPES	1. D 11
SUMP AND OIL DELIVERY SYSTEMS	1. D 07
TIMING CHAINS AND ADJUSTERS	1. D 17

BELT TENSIONER/IDLER PULLEY-3.2/4.0	1. E 08
CAMSHAFT AND VALVES-3.2 /4.0 LITRE-V8	1. E 13
CAMSHAFT COVER AND GASKET-3.2 /4.0	1. E 09
CRANKSHAFT-3.2 /4.0 LITRE-V8	1. D 12
CYLINDER BLOCK AND BEDPLATE	1. D 08
CYLINDER HEAD AND GASKET-3.2 /4.0	1. D 16
CYLINDER HEAD GASKET SET-3.2 /4.0	1. E 18
CYLINDER HEAD GASKET SET-4.0 LITRE-V8 ..	1. F 03
DRIVE BELT-3.2 /4.0 LITRE-V8	1. E 08
DRIVE BELT-SUPERCHARGER	1. E 07
DRIVE PLATE-3.2/4.0 LITRE-V8	1. F 10
ENGINE COVER	1. D 03
ENGINE GASKET SET-LOWER-3.2/4.0	1. F 05
ENGINE MOUNTING-FRONT-3.2/4.0 LITRE-	1. D 04
EXHAUST MANIFOLD-3.2 /4.0 LITRE-V8	1. F 08
GEARBOX MOUNTING-3.2/4.0 LITRE-V8	1. D 05
INDUCTION MANIFOLD-3.2 /4.0 LITRE-V8	1. F 06
INDUCTION MANIFOLD-4.0 LITRE-V8	1. F 07
OIL COOLER-4.0 LITRE-V8 SUPERCHARGED ..	1. D 11
OIL FILTER-3.2/4.0 LITRE-V8	1. D 10
OIL PUMP AND PIPES-3.2 /4.0 LITRE-V8	1. D 07
OIL SUMP AND DIPSTICK-3.2/4.0 LITRE -V8 ..	1. D 08
OUTLET DUCT-4.0 LITRE-V8	1. F 09

PISTON AND CONNECTING ROD-3.2 /4.0	1. D 14
TAPPET ADJUSTMENT SHIM-3.2 /4.0 LITRE-	1. E 15
TIMING CHAIN- SECONDARY-3.2/4.0 LITRE-	1. E 04
TIMING CHAIN-PRIMARY-3.2 /4.0 LITRE-V8	1. D 18
TIMING CHAIN-SECONDARY-4.0 LITRE-V8	1. E 02
TIMING COVER-3.2 /4.0 LITRE-V8	1. D 17

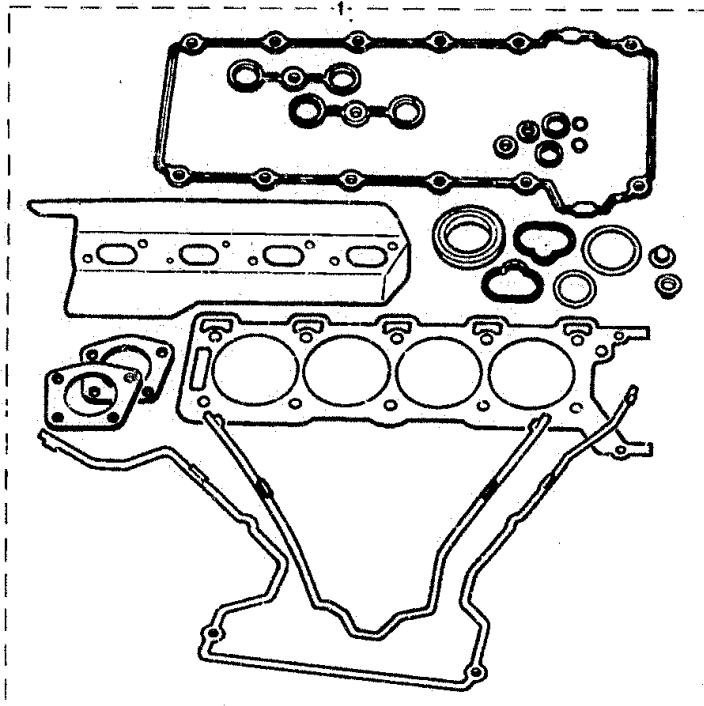
V8 XJ Series

F02
Fiche 1

ENGINE
ENGINE GASKET AND SEAL SETS

CYLINDER HEAD GASKET SET-3.2 /4.0 LITRE-V8

Mus Part Number	Description	Quantity	Change Point	Remarks
1 JLM 20750	CYLINDER HEAD GASKET SET	1	(1)	
NCA 2578BB	• Spark plug boss seal-camshaft cover.....	8		
NCA 2575CA	• Isolator-camshaft cover	28		
NCA 3016BA	• Seal-inlet manifold	8		
NCA 2268BC	• Water outlet seal-cylinder head	2		
NCA 2269BC	• Seal-thermostat housing to cylinder head	1		
EAZ 2050	• Gasket-downpipe to manifold	2		
NCA 2126AC	• Timing cover seal-inner	1		
NCA 2127AC	• Timing cover seal-outer	1		
KSH 108624	• O-ring	2		
NCA 2622AA	• Sealing ring	2		
EAZ 2060	• Crankshaft oil seal-front	1		
NCE 2528AC	• Valve spring seat	32		
NCA 2906AE	• Exhaust manifold gasket-RH A-bank	1		
NCA 2907AE	• Exhaust manifold gasket-LH B-bank	1		
NCC 2540BC	• Cylinder head gasket-RH A-bank	1		
NCC 2541BC	• Cylinder head gasket-LH B-bank	1		
NNE 2525AA	• Valve seal-variable valve timing.....	2		



TB 6398

CHANGE POINT'S:
(1) From (E) 9803250000

V8 XJ Series

F03
Fiche 1

ENGINE
ENGINE GASKET AND SEAL SETS

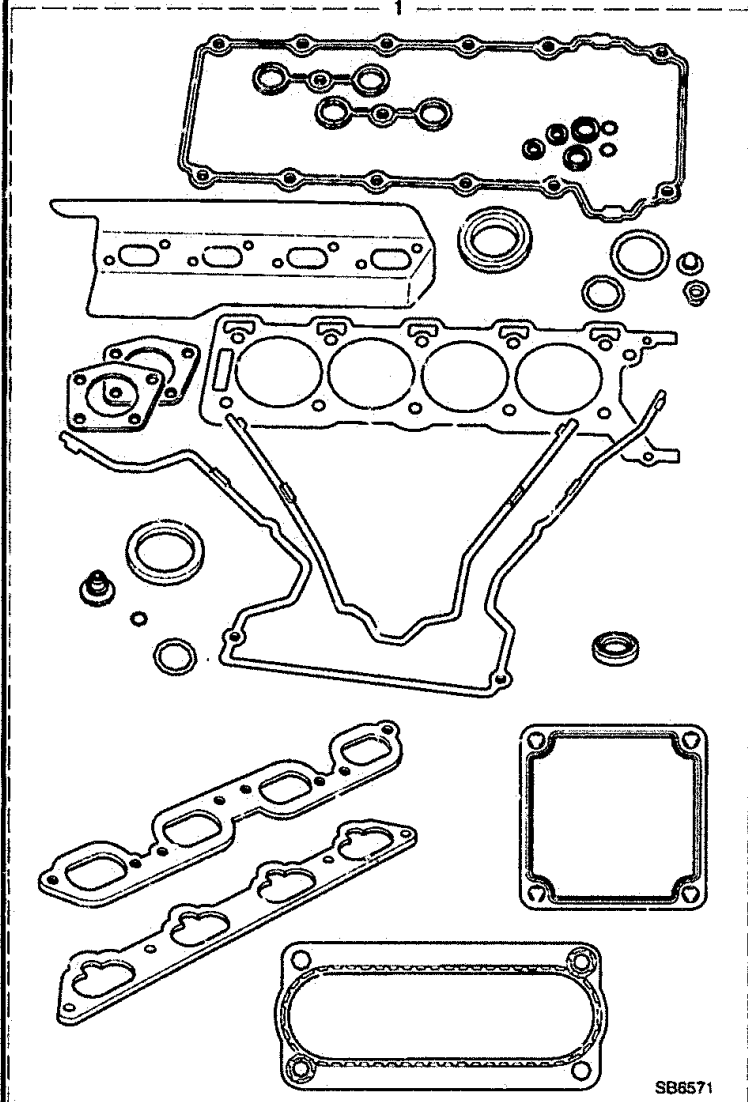
CYLINDER HEAD GASKET SET-4.0 LITRE-V8 SUPERCHARGED

Mus Part Number

Description

Quantity Change Point Remarks

1 JLM 20293	CYLINDER HEAD GASKET SET	1	(1)	
NCA 2578BB	• Spark plug boss seal-camshaft cover.....	4		
NCA 2575CA	• Isolator-camshaft cover	28		
NCA 2268BC	• Water outlet seal-cylinder head	2		
NCA 2269BC	• Seal-thermostat housing to cylinder head	1		
EAZ 2050	• Gasket-downpipe to manifold	2		
NCA 2906AD	• Exhaust manifold gasket-RH A-bank	1		
NCA 2907AD	• Exhaust manifold gasket-LH B-bank	1		
NCA 2126AC	• Timing cover seal-inner	1		
NCA 2127AC	• Timing cover seal-outer	1		
KSH 108624	• O-ring	2		
NCA 2622AA	• Sealing ring	2		
EAZ 2060	• Crankshaft oil seal-front	1		
NCA 2515AD	• Camshaft cover gasket-RH A-bank	1		
NCA 2516AD	• Camshaft cover gasket-LH B-bank	1		
NCC 2540BB	• Cylinder head gasket-RH A-bank	1		
NCC 2541BB	• Cylinder head gasket-LH B-bank	1		
NCC 3018AB	• Gasket	2		
NCC 3020AA	• Manifold gasket-manifold to cylinder head	2		
NCC 2142AA	• Oil seal	3		
KSC 137624	• O-ring-bypass valve.....	1		
NCC 7754BA	• Gasket-inlet side	1		
NCC 7735BA	• Outlet elbow seal	1		
NCC 3016AA	• Seal-injector to adaptor	8		
EAZ 1314	• Valve spring seat	32		



SB6571

CHANGE POINTS:

(1) To (E) 9803240000

V8 XJ Series

F04
Fiche 1

ENGINE
ENGINE GASKET AND SEAL SETS

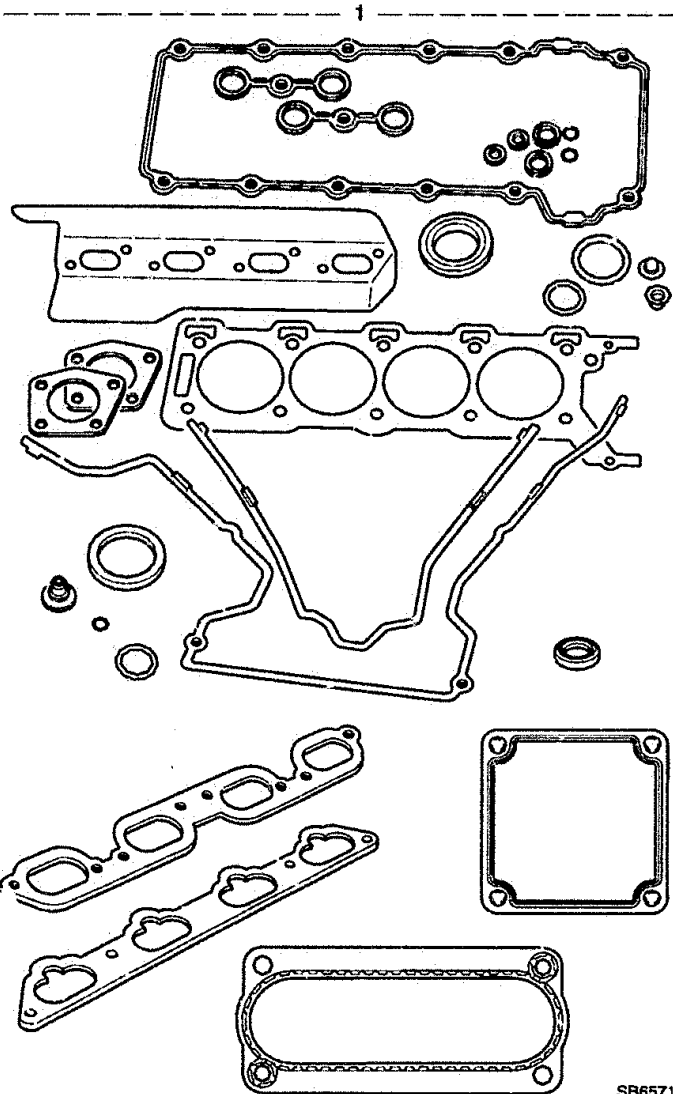
CYLINDER HEAD GASKET SET-4.0 LITRE-V8 SUPERCHARGED

Mus Part Number

Description

Quantity Change Point Remarks

1	JLM 20751	CYLINDER HEAD GASKET SET	1		
	NCA 2575CA	• Isolator-camshaft cover	28		(1)
	NCA 2288BC	• Water outlet seal-cylinder head	2		
	NCA 2269BC	• Seal-thermostat housing to cylinder head	1		
	EAZ 2050	• Gasket-downpipe to manifold	2		
	NCA 2126AC	• Timing cover seal-inner	1		
	NCA 2127AC	• Timing cover seal-outer	1		
	KSH 108624	• O-ring	2		
	NCA 2622AA	• Sealing ring	2		
	EAZ 2060	• Crankshaft oil seal-front	1		
	NCC 3018AB	• Gasket	2		
	NCC 3020AA	• Manifold gasket-manifold to cylinder head	2		
	NCC 2142AA	• Oil seal	3		
	KSC 137624	• O-ring-bypass valve	1		
	NCC 7754BA	• Gasket-inlet side	1		
	NCC 7735BA	• Outlet elbow seal	1		
	NCC 3016AA	• Seal-injector to adaptor	8		
	NCE 2528AC	• Valve spring seat	32		
	NCA 2906AE	• Exhaust manifold gasket-RH A-bank	1		
	NCA 2907AE	• Exhaust manifold gasket-LH B-bank	1		
	NCC 2540BC	• Cylinder head gasket-RH A-bank	1		
	NCC 2541BC	• Cylinder head gasket-LH B-bank	1		



SB6571

CHANGE POINTS:

(1) From (E) 9803250005

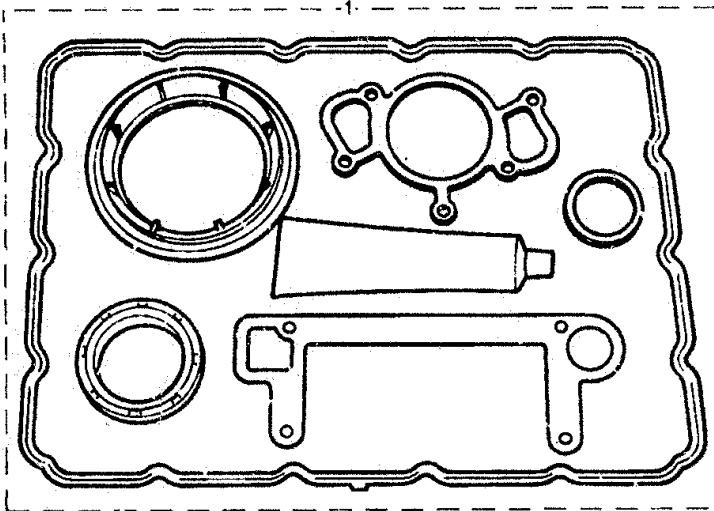
V8 XJ Series

F05
Fiche 1

ENGINE
ENGINE GASKET AND SEAL SETS

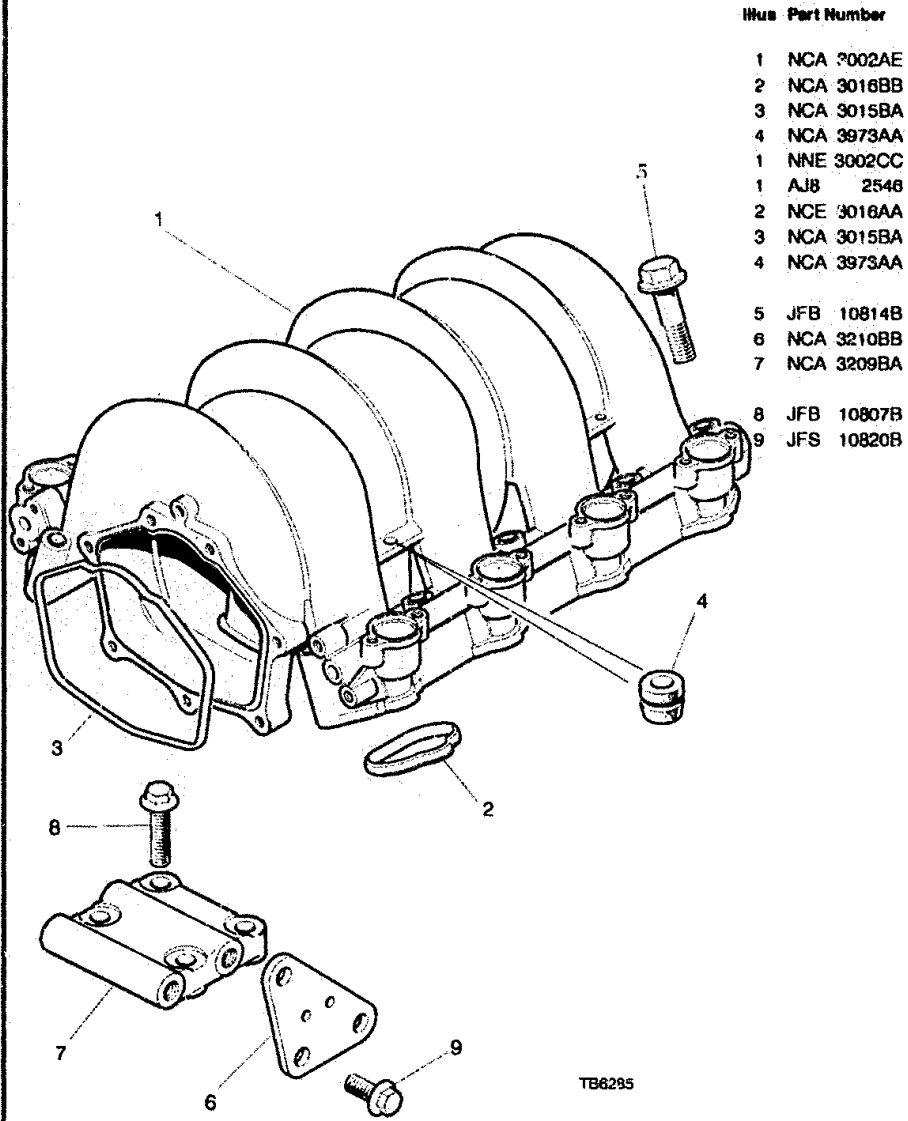
ENGINE GASKET SET-LOWER-3.2/4.0 LITRE-V8

Qty	Part Number	Description	Quantity	Change Point	Remarks
1	JLM 20140	LOWER ENGINE GASKET SET	1		
	EAZ 2060	• Crankshaft oil seal-front.....	1		
	EAZ 2061	• Crankshaft oil seal-rear	1		
	NCA 2267AC	• Water pump gasket	1		
	NCA 1730AD	• Sump pan gasket.....	1		
	JLM 20163	• Sealant-50ml-RTV-syringe	1		
	NCE 1779AA	• Oil pump gasket-oil pump to cylinder block	1		



TE 6399

INDUCTION MANIFOLD-3.2 /4.0 LITRE-V8



Illus	Part Number	Description	Quantity	Change Point	Remarks
1	NCA 3002AE	INDUCTION MANIFOLD	1	(1)	
2	NCA 3016BB	• Seal-inlet manifold	8		
3	NCA 3015BA	• Seal-manifold to induction elbow	1		
4	NCA 3973AA	• Grommet	4		
1	NNE 3002CC	INDUCTION MANIFOLD	1	(2)	
1	AJB 2546	INDUCTION MANIFOLD	1	(3)	
2	NCE 3016AA	• Seal-manifold to cylinder head	8		
3	NCA 3015BA	• Seal-manifold to induction elbow	1		
4	NCA 3973AA	• Grommet	4		
5	JFB 10814B	Flange head bolt-inlet manifold-M8 x 70mm	10		
6	NCA 3210BB	Support plate-inlet manifold	2		
7	NCA 3209BA	Support bracket	1		
8	JFB 10807B	Mounting bolt-flanged head-M8 x 35mm	4		
9	JFS 10820B	Flanged head screw-M8 x 20mm	6		

TB6295

CHANGE POINTS:

- (1) To (V) 853935
- (2) From (V) 853936 To (V) 859240
- (3) From (V) 859241

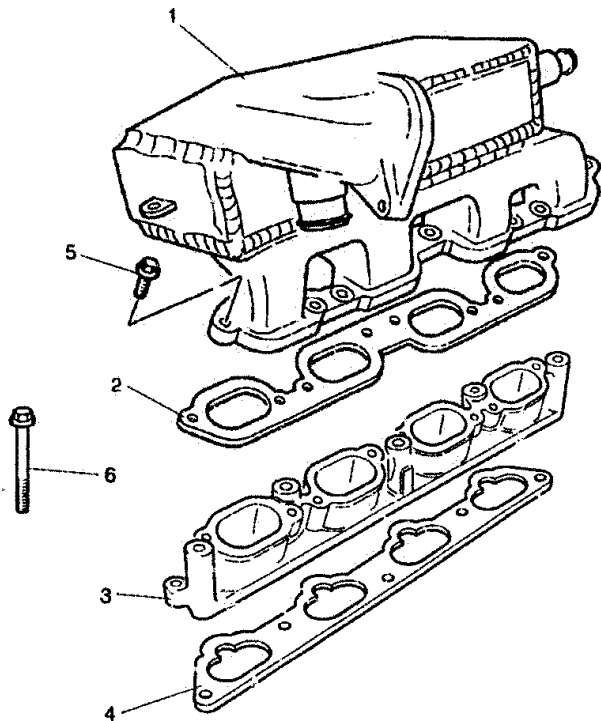
V8 XJ Series

F07
Fiche 1

ENGINE
INLET AND EXHAUST MANIFOLDS

INDUCTION MANIFOLD-4.0 LITRE-V8 SUPERCHARGED

Qty	Part Number	Description	Quantity	Change Point	Remarks
1	NCC 3001AD	Induction manifold-RH A-bank.....	1	(1)	
1	NCC 3001AE	Induction manifold-RH A-bank.....	1	(2)	
1	NCC 3001AF	Induction manifold-RH A-bank.....	1	(3)	
1	AJ8 1444	Induction manifold-RH A-bank.....	1	(4)	
1	NCC 3001BD	Induction manifold-LH B-bank	1	(1)	
1	NCC 3001BE	Induction manifold-LH B-bank	1	(2)	
1	NCC 3001BF	Induction manifold-LH B-bank	1	(3)	
1	AJ8 1445	Induction manifold-LH B-bank	1	(4)	
2	NCC 3018AB	Gasket	2		
3	NCC 3045AB	Induction manifold adaptor	NLA	(1)	Use NCC3045AC.
3	NCC 3045AD	Induction manifold adaptor	2	(2)	
3	AJR 1298	Induction manifold adaptor	2	(5)	
4	NCC 3020AA	Manifold gasket-manifold to cylinder head	2		
5	JXA 10620B	Pan head torx screw-M6 x 20mm	16		
6	JFB 10814B	Flange head bolt-inlet manifold-M8 x 70mm.....	10		



SB6362

CHANGE POINTS:

- (1) To (V) 814613
- (2) From (V) 814614 To (V) 835511
- (3) From (V) 835512 To (E) 9811230000
- (4) From (E) 9811240000
- (5) From (V) 835512

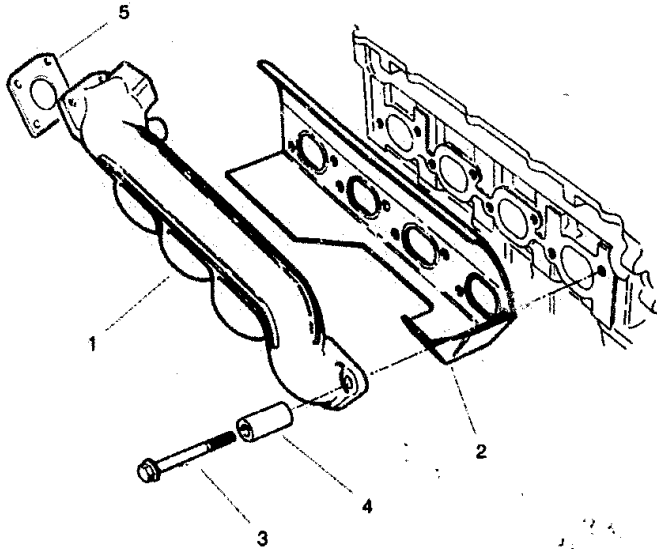
V8 XJ Series

F08
Fiche 1

ENGINE
INLET AND EXHAUST MANIFOLDS

EXHAUST MANIFOLD-3.2 /4.0 LITRE-V8

Mus	Part Number	Description	Quantity	Change Point	Remarks
1	NCA 2900EA	Exhaust manifold-RH A-bank	1	}	(1)
1	NCA 2901DB	Exhaust manifold-LH B-bank	1		
1	NCA 2900FB	Exhaust manifold-RH A-bank	1	}	(2)
1	NCA 2901EB	Exhaust manifold-LH B-bank	1		
2	NCA 2906AD	Exhaust manifold gasket-RH A-bank	1	}	(3)
2	NCA 2907AD	Exhaust manifold gasket-LH B-bank	1		
2	NCA 2906AE	Exhaust manifold gasket-RH A-bank	1	}	(4)
2	NCA 2907AE	Exhaust manifold gasket-LH B-bank	1		
3	JZB 100087	Flange head bolt-M8 x 65mm	16	}	(5)
4	NCA 2923AB	Spacer-manifold to cylinder head	16		
3	AJ8 1316	Flange head bolt-M8	16	}	(6)
4	NCA 2923AC	Spacer-manifold to cylinder head	16		
5	EAZ 2050	Gasket-downpipe to manifold	2		



TB6137

CHANGE POINTS:

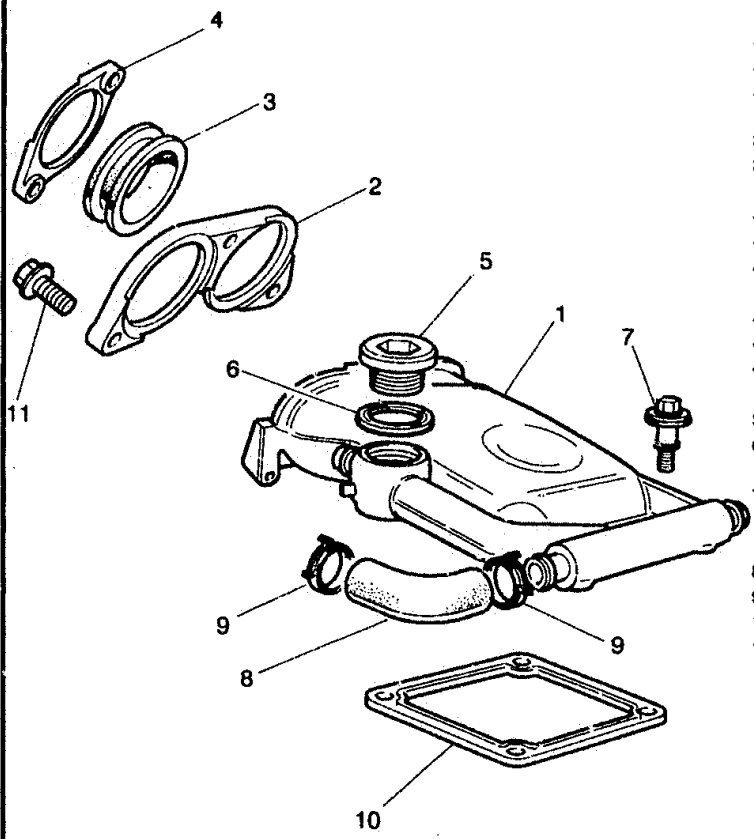
- (1) To (E) 9809010000
- (2) From (E) 9809020000
- (3) To (E) 9802050000
- (4) From (E) 9802060000
- (5) To (V) 853935
- (6) From (V) 853936

V8 XJ Series

F09
Fiche 1

ENGINE
INLET AND EXHAUST MANIFOLDS

OUTLET DUCT-4.0 LITRE-V8 SUPERCHARGED



Illus	Part Number	Description	Quantity	Change Point	Remarks
1	NCC 7706AA	Outlet elbow-supercharger to intercooler.....	1	(1)	} (2)..... Use AJ82550.
1	AJ8 1288	Outlet elbow-supercharger to intercooler.....	NLA		
1	AJ8 2550	Outlet elbow-supercharger to intercooler.....	1		
	JLM 20589	Blanking plug	1		
2	NCC 7771AC	Clamp plate-supercharger to intercooler	1	(3)	
2	NCC 7771AD	Clamp plate-supercharger to intercooler	1	(4)	
2	AJ8 1447	Clamp plate-supercharger to intercooler	1	(5)	
3	NCC 7721AB	Duct seal-supercharger to intercooler.....	2	(6)	
3	AJ8 1448	Duct seal-supercharger to intercooler.....	2	(5)	
4	NCC 7772AD	Clamp plate-RH A-bank.....	1	(3)	
4	NCC 7772AE	Clamp plate-RH A-bank.....	1	(4)	
4	AJ8 1449	Clamp plate-RH A-bank.....	1	(5)	
4	NCC 7773AD	Clamp plate-LH B-bank	1	(3)	
4	NCC 7773AE	Clamp plate-LH B-bank	1	(4)	
4	AJ8 1450	Clamp plate-LH B bank	1	(5)	
5	JZD 100005	Manifold plug	1		
6	JWV 130001	Sealing washer	1		
7	NCA 2585AC	CAMSHAFT COVER FASTENER	4		
	NCA 2575CA	• Isolator-camshaft cover	1		
8	NCC 7723AA	Water hose-supercharger to intercooler	1		
9	JHC 302220	Hose clamp.....	2		
10	NCC 7735BA	Outlet elbow seal	1		
11	JFS 108257	Flange head screw-M8 x 25mm	5		

SB6379

CHANGE POINTS:

- (1) To (V) 835511
- (2) From (V) 835512
- (3) To (V) 814613
- (4) From (V) 814614 To (E) 9811230000
- (5) From (E) 9811240000
- (6) To (E) 9811230000

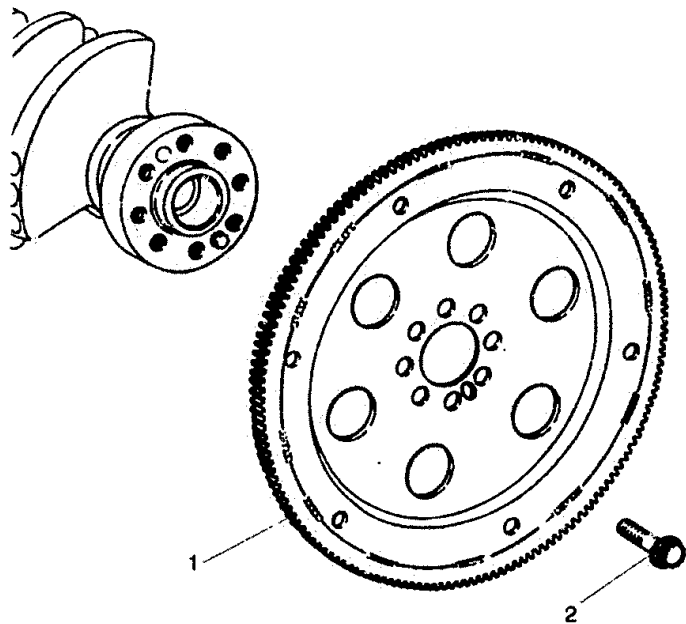
V8 XJ Series

F10
Fiche 1

ENGINE
DRIVE PLATE AND FLYWHEEL COVERS

DRIVE PLATE-3.2/4.0 LITRE-V8

Mus	Part Number	Description	Quantity	Change Point	Remarks
1	NCA 1428GD	Drive plate-assembly	1		
1	NCA 1426CE	Drive plate-assembly	1	(1).....	4.0 Litre supercharged
1	NNE 1426CA	Drive plate.....	1	(4).....	
2	JZB 100058	Bolt -drive plate to crankshaft	8	(2)	
2	JZB 100096	Bolt -drive plate to crankshaft	8	(3)	
	EAC 5580	Setscrew	3		



TB6268

CHANGE POINTS:

- (1) From (V) 853936 To (V) 878717
- (2) To (V) 853935
- (3) From (V) 853938
- (4) From (V) F00035

MASTER INDEX

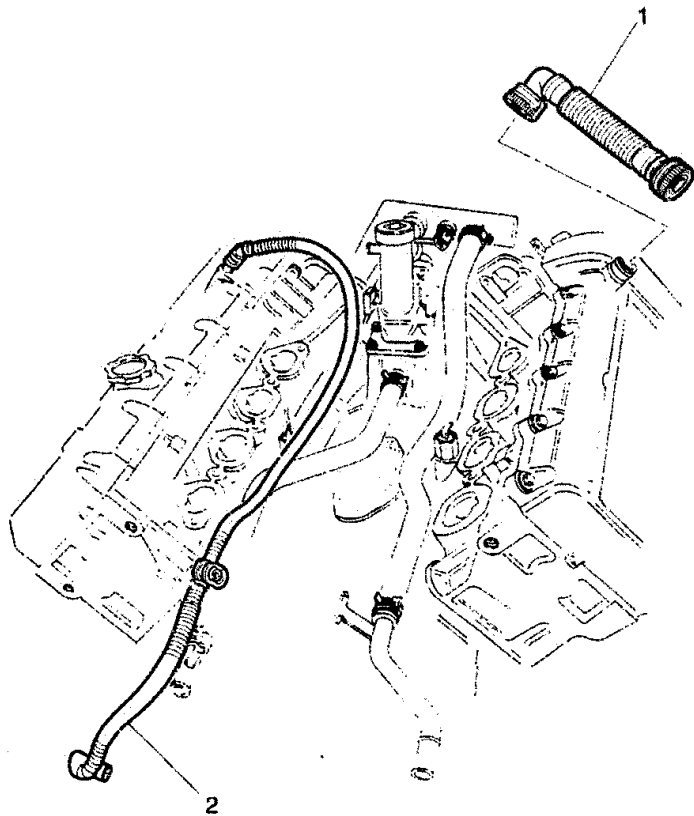
GROUP INDEX

ENGINE	1 D
ENGINE MANAGEMENT/EMISSION SYSTEMS	1 G
AIR AND FUEL DELIVERY SYSTEMS	1 H
ENGINE COOLING SYSTEM	1 J
EXHAUST SYSTEM AND COMPONENTS	1 K
TRANSMISSION AND DRIVELINE	1 L
STEERING AND SUSPENSION	2 C
BRAKING SYSTEM	2 F
AIR CONDITIONING/HEATING/VENTILATION	2 G
WIPER AND WASHER SYSTEMS	2 H
ELECTRICAL DISTRIBUTION SYSTEM	2 I
INFORMATION SYSTEMS AND CONTROLS	2 K
BATTERY/STARTER MOTOR/ALTERNATOR	2 L
IN CAR ENTERTAINMENT	2 M
LIGHTING - EXTERIOR/INTERIOR	2 N
LOCKING/SECURITY SYSTEMS/HORNS	2 O
SEATING	3 C
OCCUPANT RESTRAINTS	3 H
INTERIOR TRIM AND LININGS	3 I
EXTERIOR FITTINGS AND SUNROOF	4 C
BODY CLOSURES AND SEALING	4 E
BODY METAL PANELS AND SEALING	4 H
ACCESSORIES/CONSUMABLES/INDEX	4 I

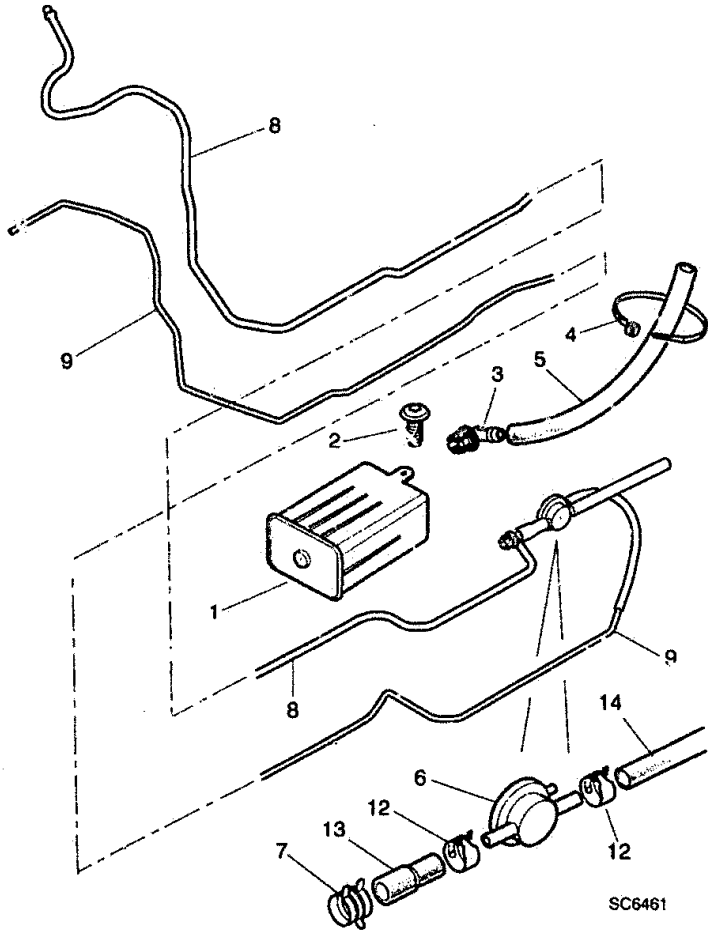
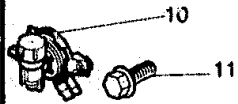
CRANKCASE CONTROL SYSTEM	1. G 02
ENGINE HARNESSES AND WIRING	1. G 11
ENGINE MANAGEMENT CONTROL MODULE	1. G 04
EVAPORATIVE EMISSION CONTROL	1. G 03
IGNITION SYSTEM	1. G 07
SENSORS, SWITCHES AND RELAYS	1. G 08
BREATHER SYSTEM-3.2/4.0 LITRE-V8	1. G 02
CARBON CANISTER-3.2/4.0 LITRE V8	1. G 03
CONTROL MODULE HOUSING	1. G 05
ENGINE HARNESS	1. G 11
ENGINE SENSORS-4.0 LITRE-V8	1. G 08
GEARBOX ELECTRONIC CONTROL	1. G 04
HEATED OXYGEN SENSOR	1. G 10
INERTIA SWITCH	1. G 09
POWER AMPLIFIER, SPARK PLUG AND ON ...	1. G 07

BREATHER SYSTEM-3.2/4.0 LITRE-V8

Mus	Part Number	Description	Quantity	Change Point	Remarks
1	NCA 3951CB	Breather hose	1		
2	AJ8 2136	Breather hose	1		Except 4.0 Litre supercharged
2	AJ8 2135	Breath: hose	1		4.0 Litre supercharged



CARBON CANISTER-3.2/4.0 LITRE V8-SINGLE SYSTEM

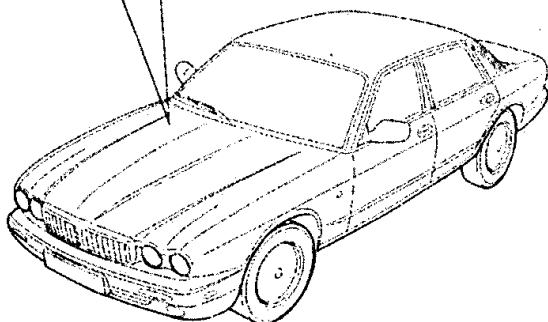
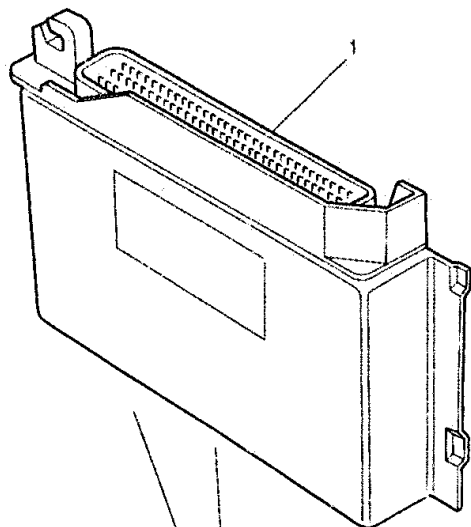


Mus	Part Number
1	NNB 6110AA NNA 5987CA
2	AGU 2022
3	EBC 10989
4	C 45099
5	NNA 6070DA
6	CBC 7714
7	CAC 8774
8	NND 6104CE NMC 6104CE
9	NND 6022AD NMC 6022AD
10	LNC 1515AA
11	JFS 10625F
12	CAC 8773
13	NNA 6071BA
14	NNA 6070AA 2 JLM 20688

Description	Quantity	Change Point	Remarks
Carbon canister	1		
Foam pad	1		
Paint clearing setscrew	3		
Canister purge inlet	1		
Tie strap-4"	1		
Stepped hose	1		
Pressure control valve	1		
Hose clip	2		
Vapour pipe-under floor	1	 Except LWB
Vapour pipe-under floor	1	 LWB
Vapour pipe	1	 Except LWB
Vapour pipe	1	 LWB
Purge valve	1		
Flange head screw	2		
Hose clip	2		
Vapour hose	1		
Stepped hose	1		
Sealing ring-carbon canister	1		

GEARBOX ELECTRONIC CONTROL MODULE-3.2/4.0 LITRE-V8

Mus	Part Number	Description	Quantity	Change Point	Remarks
1	LNC 2401AC	Transmission control module-blank unit-unprogrammed	1	(1).....] Note (1); Except 4.0 Litre supercharged
1	LNE 2401AB	Transmission control module-blank unit-unprogrammed	1	(2).....	
1	LJD 2401AA	Transmission control module-blank unit-unprogrammed	1	(3).....	
1	LNC 2403AB	Transmission control module-blank unit-unprogrammed	1	(4).....] Note (1); 4.0 Litre supercharged
1	LNF 2403AC	Transmission control module-blank unit-unprogrammed	1	(3).....	
	JXA 10516B	Pan head screw-M5-torx head.....	2] 4.0 Litre supercharged
	FN 105041	Nut-M5.....	2	



SC6482

CHANGE POINTS:

- (1) To (V) 853935
- (2) From (V) 853936 To (V) 878717
- (3) From (V) F00035
- (4) To (V) 978717

Remarks:

- (1) USE THE PORTABLE DIAGNOSTIC UNIT TO DETERMINE PART NUMBER SUFFIX