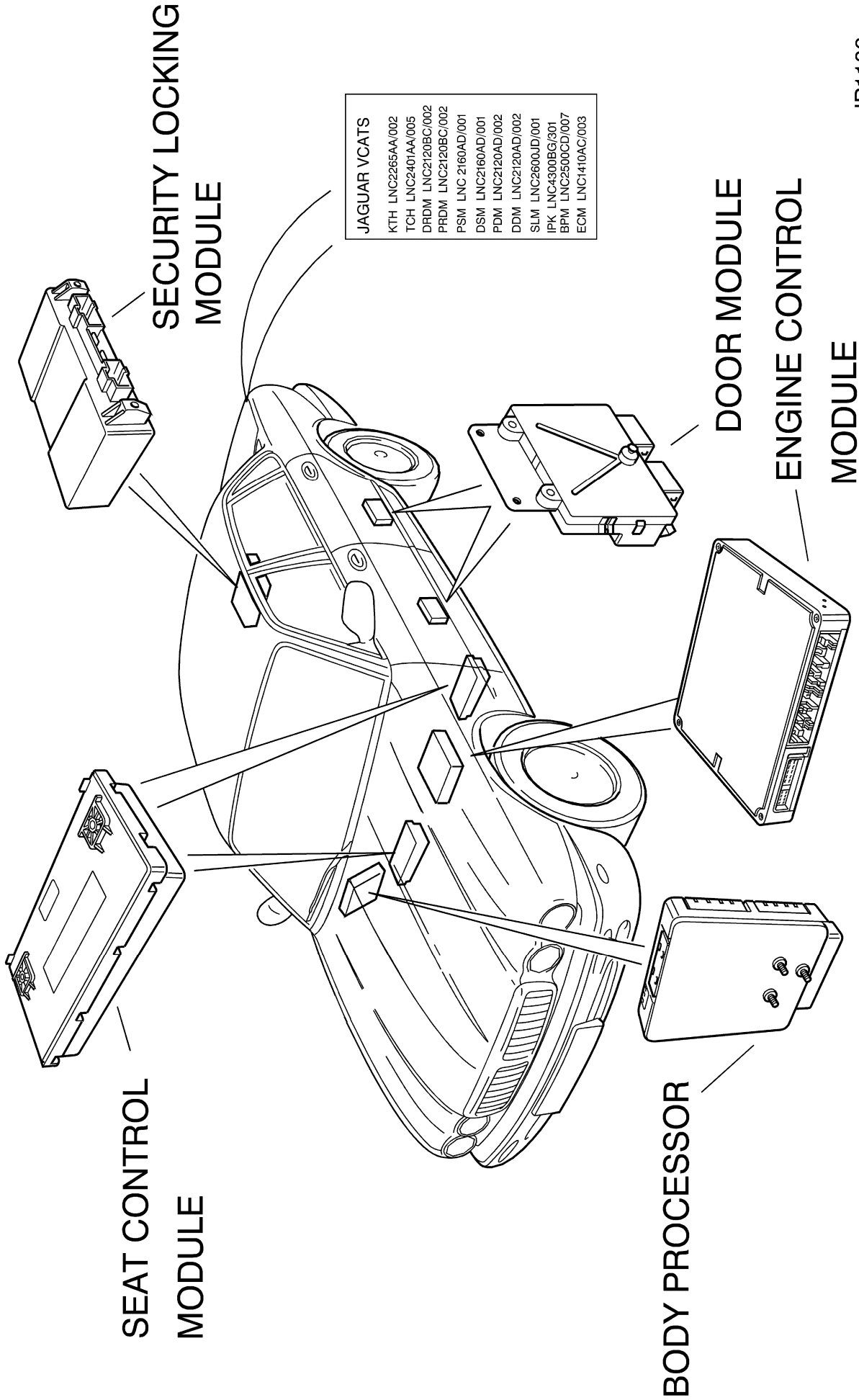


# CONTROL MODULE LOCATIONS



JAGUAR VCATS	
KTH	LNC2265AA/002
TCH	LNC2401AA/005
DRDM	LNC2120BC/002
PRDM	LNC2120BC/002
PSM	LNC 2160AD/001
DSM	LNC2160AD/001
PDM	LNC2120AD/002
DDM	LNC2120AD/002
SLM	LNC2600JD/001
IPK	LNC4300BG/301
BPM	LNC2500CD/007
ECM	LNC1410AC/003