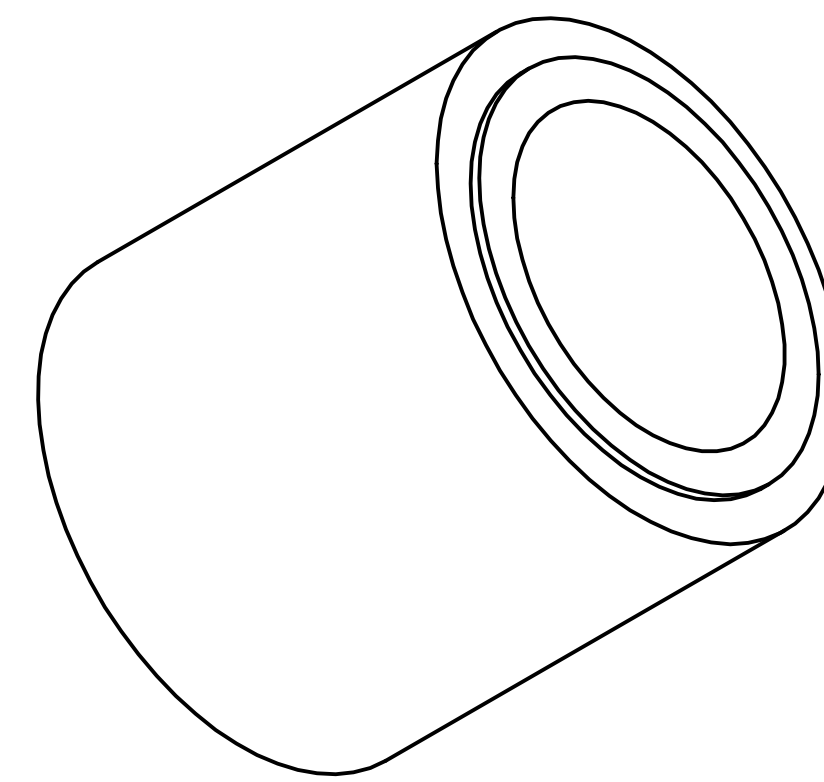
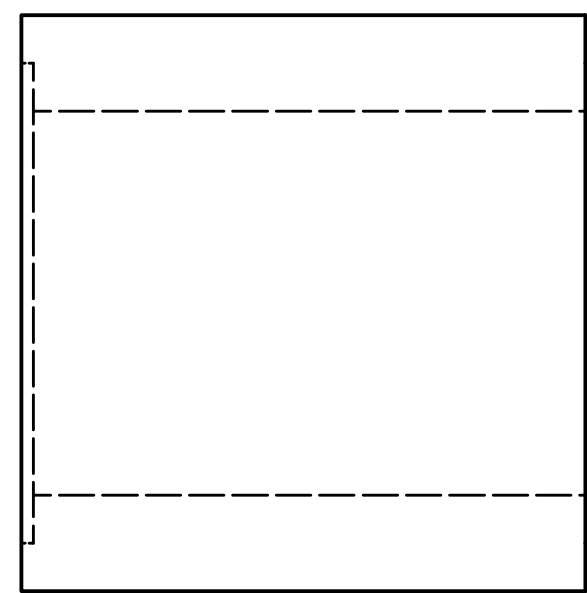


SECTION A-A
SCALE 1 : 1



DRAWN	Ivan	6/13/2020		
CHECKED			TITLE	
QA				
MFG				
APPROVED				
			SIZE	DWG NO
			D	press adaptor
			SCALE	1 : 1
				REV
				SHEET 1 OF 1