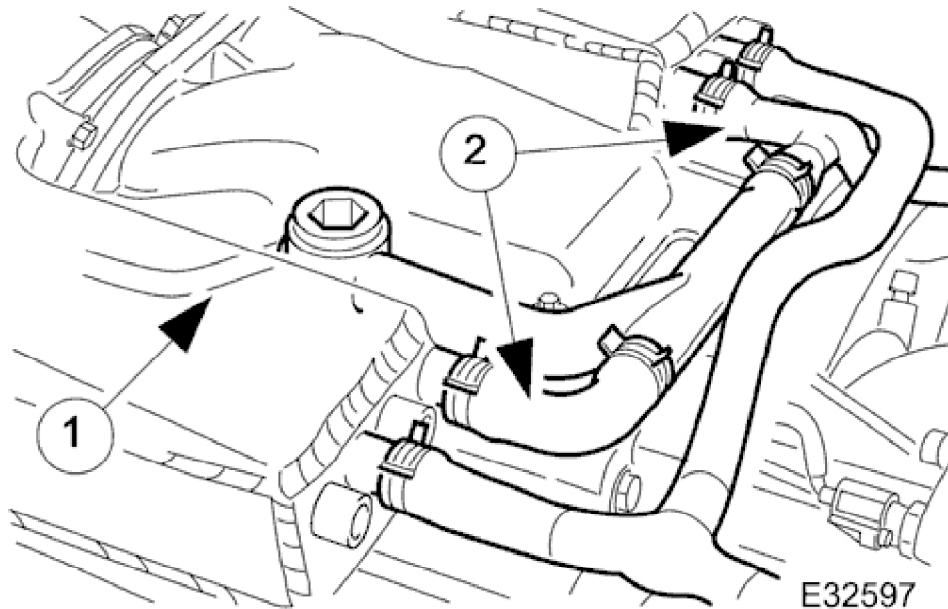


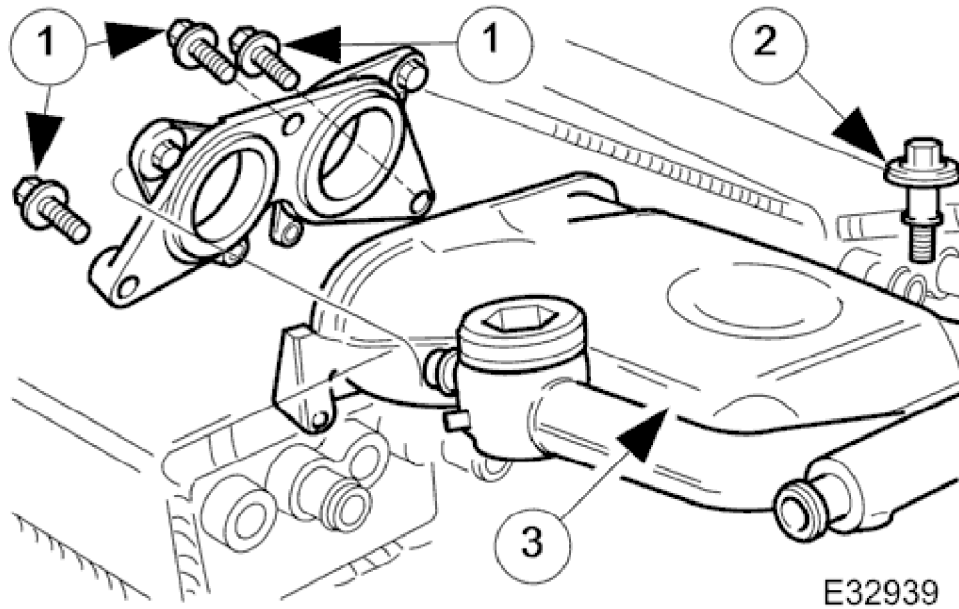
Supercharger Outlet Pipe 18.50.16

Removal

1. Remove air cleaner cover / intake assembly; refer to 19.10.30.
2. Drain radiator coolant; refer to operation (SC) 26.10.01.



3. Disconnect coolant hoses and vacuum pipe from supercharger outlet duct.
 - Place absorbent rags under the two coolant hoses which are connected to the outlet duct.
 1. Remove vacuum pipe.
 2. Disconnect hoses.
 - Plug hoses and outlet duct stub pipes to prevent spillage.



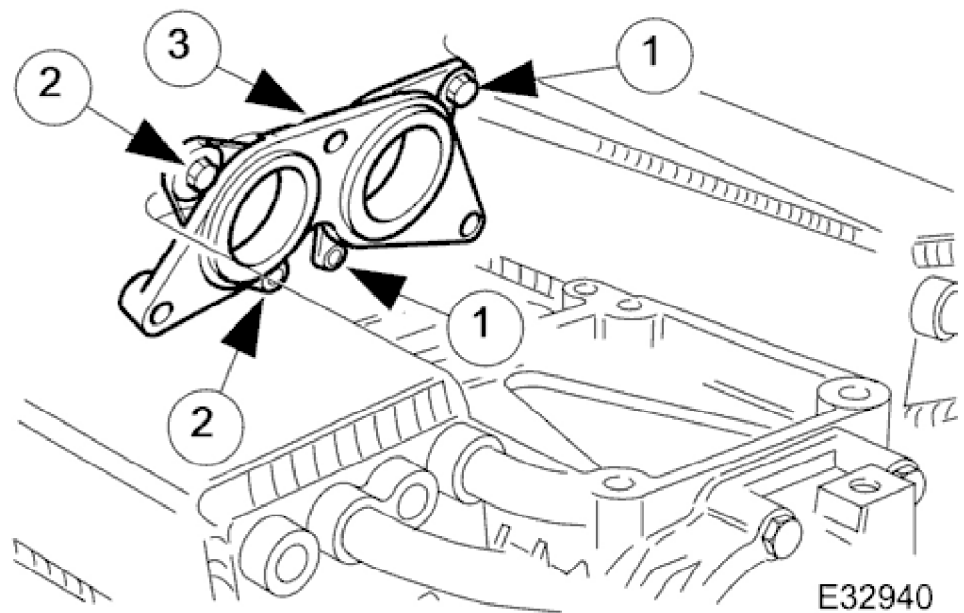
4.  **CAUTION:**
Take care to avoid any coolant from dripping into supercharger.

Remove supercharger outlet duct.

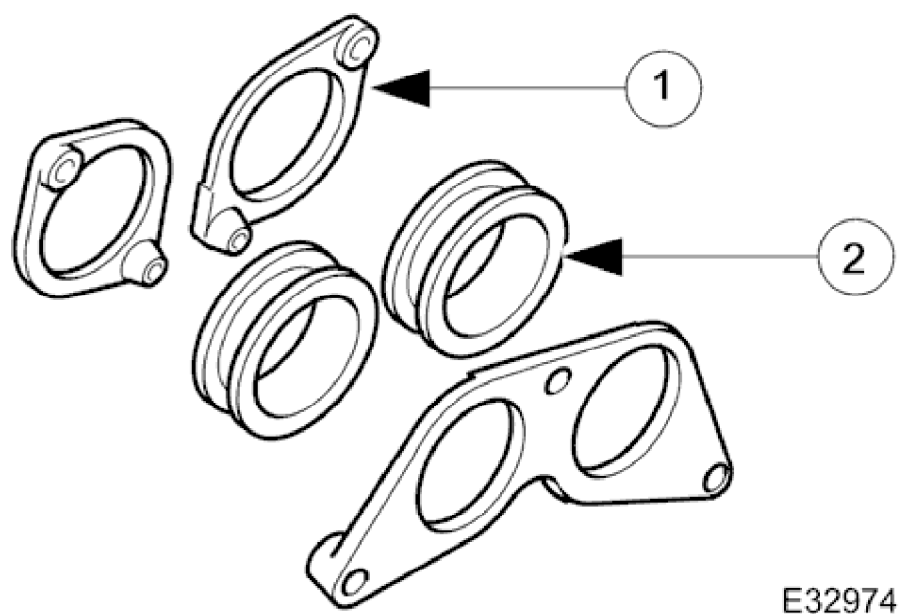
1. Remove three bolts.
2. Remove four bolts.
- Discard rubber seals from bolts.
3. Remove outlet duct.
- Discard outlet duct gasket.

5. Blank supercharger outlet with body tape, or similar, to prevent ingress of foreign matter.

1998 XJ RANGE - Intake Air Distribution and Filtering - 303-12



- 6. Remove charge air cooler inlet assembly.
 - 1. Remove two bolts.
 - 2. Remove two bolts.
 - 3. Remove charge air cooler inlet assembly.



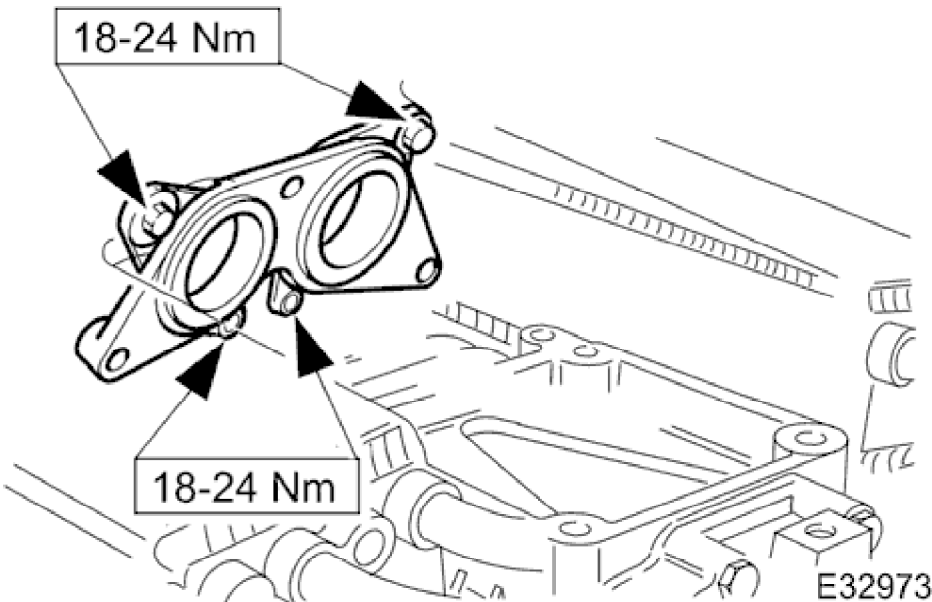
- 7. Remove ducts from charge air cooler inlet assembly.
 - 1. Remove two clamp plates.
 - 2. Discard two ducts.

8. Clean all relevant parts and mating faces.

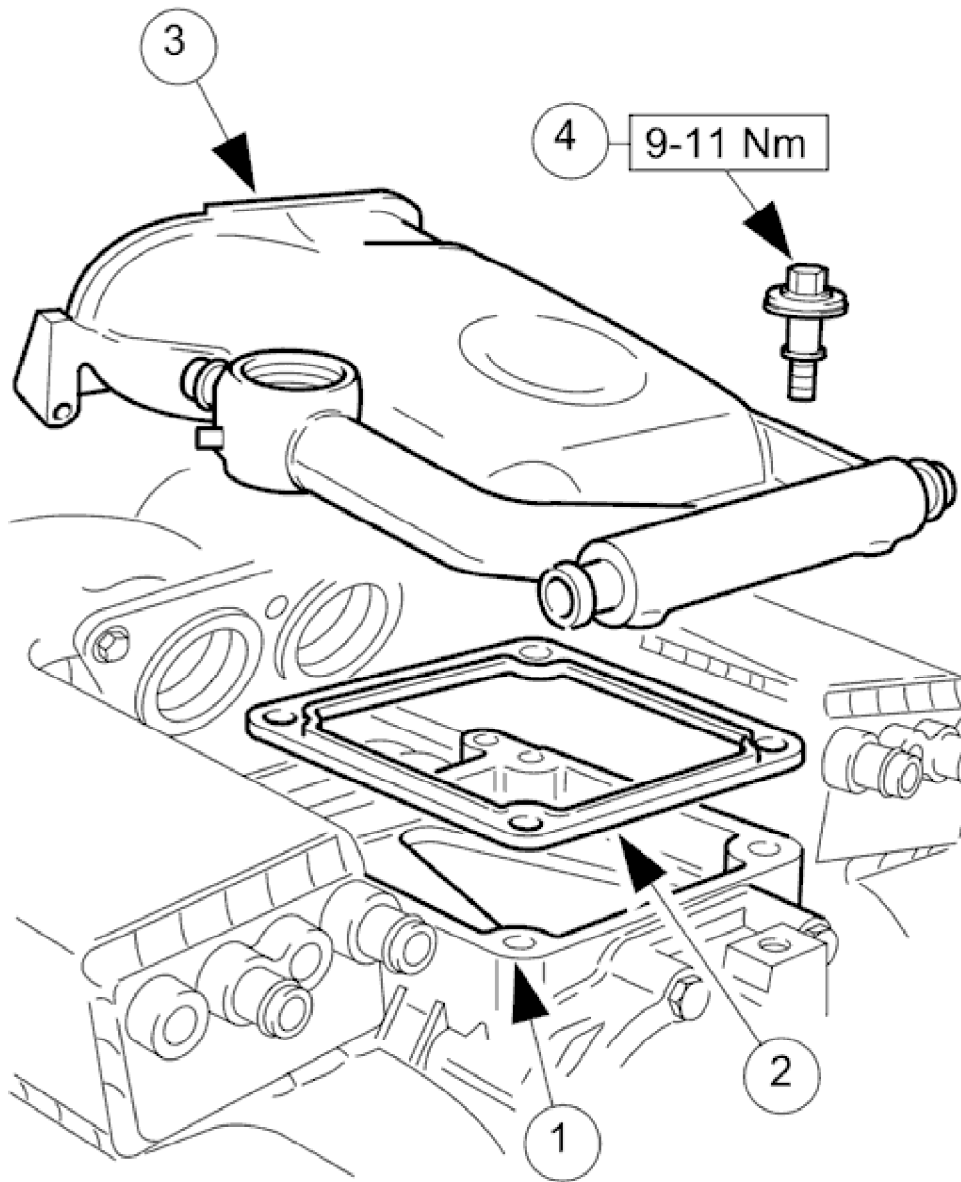
1998 XJ RANGE - Intake Air Distribution and Filtering - 303-12

Installation

1. Re-assemble charge air cooler clamp inlet assembly.
 - Use new ducts.



2. Install charge air cooler inlet assembly to charge air coolers.



E32976



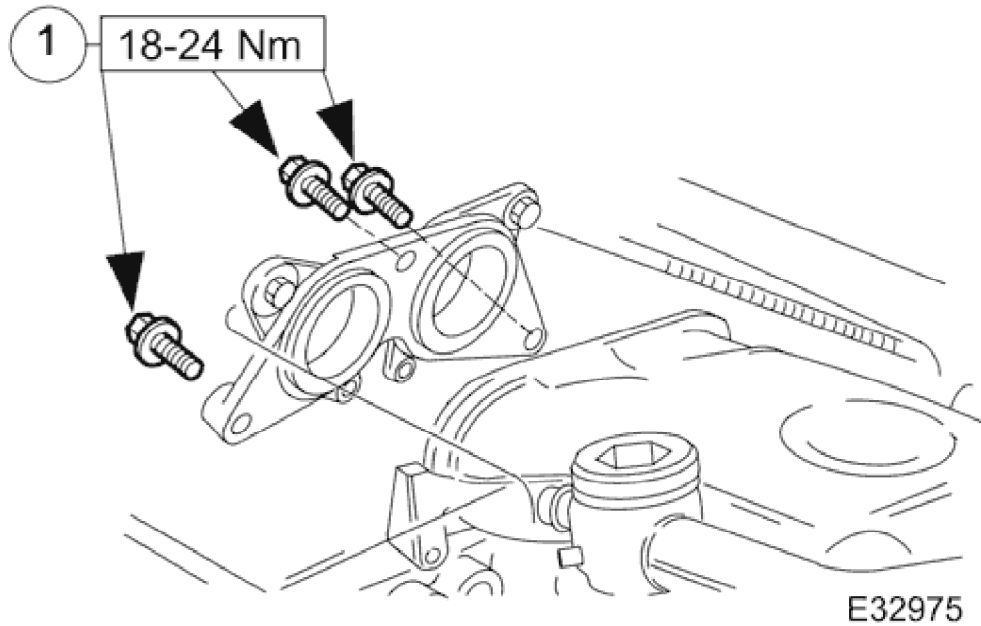
3. **CAUTION:**

Take care to avoid ingress of dirt or foreign matter into the supercharger.

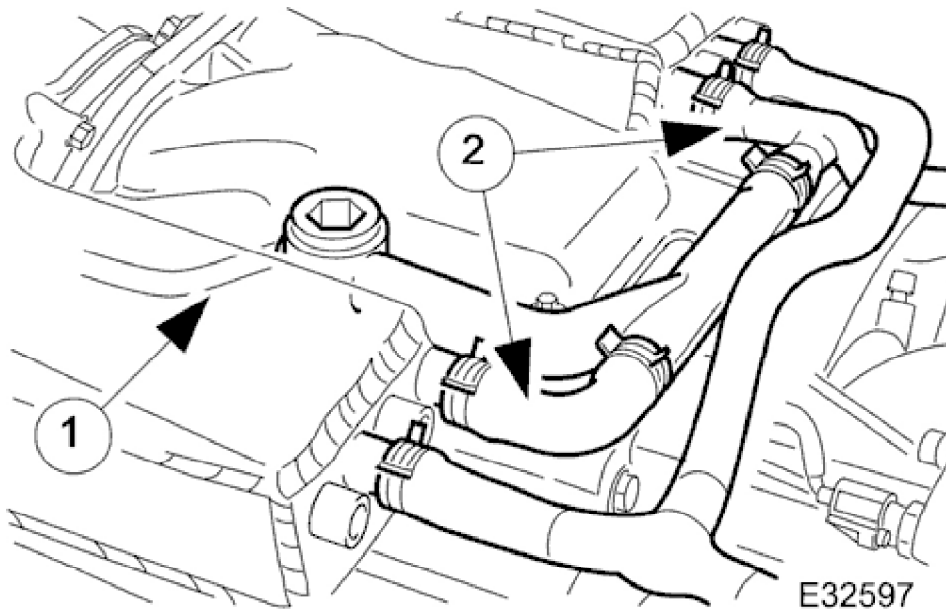
Install supercharger outlet duct.

1. Remove blanking tape from outlet port of supercharger.
- Clean supercharger outlet mating face.
2. Install new gasket.
3. Install duct.
4. Install new rubber seals to the four bolts.

1998 XJ RANGE - Intake Air Distribution and Filtering - 303-12



4. Secure charge air cooler inlet assembly to supercharger outlet duct.
 1. Install bolts.



5. Install coolant hoses and vacuum pipe to outlet duct.
 1. Install vacuum pipe.
 2. Install coolant hoses.

6. Refill cooling system; refer to (SC) (26.10.01).

7. Install intake tube / air flow meter / air cleaner cover assembly; refer to 19.10.30.