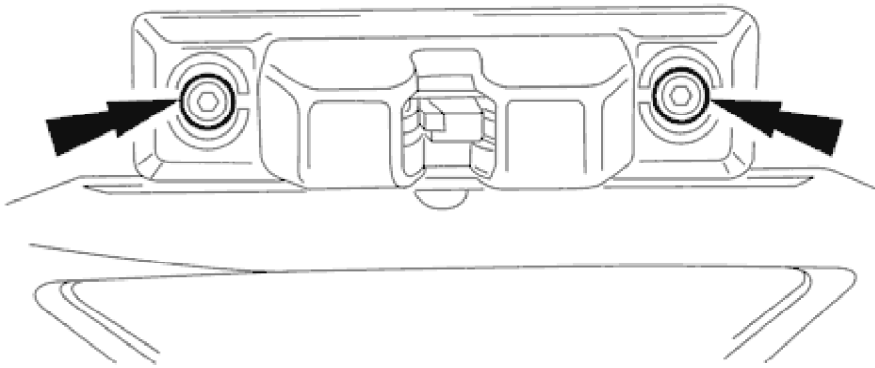


## Luggage Compartment Lid Latch Actuator 76.19.25

### Removal

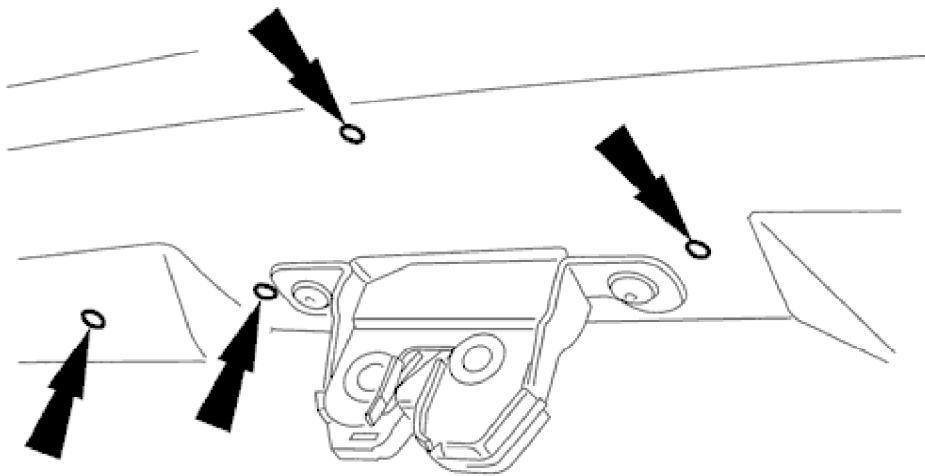
1. Remove battery cover and disconnect ground cable from battery terminal. Refer to <<86.15.19>>.
2. Remove trunk lamp assemblies. Refer to <<86.45.16>>.



### E36304

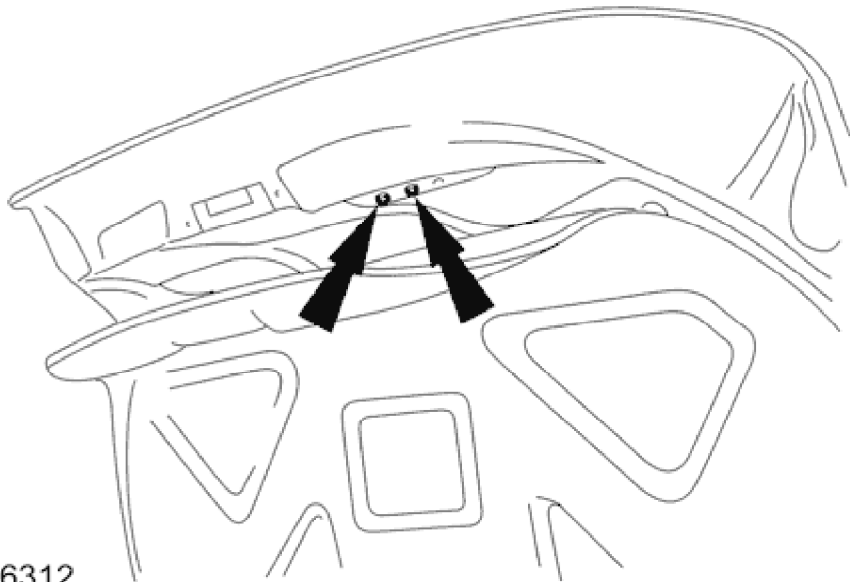
3. Remove covers from trunk latch finisher securing bolts and slacken and remove bolts.
4. Remove trunk latch finisher.

**2002 XJ RANGE - Handles, Locks, Latches and Entry Systems - 501-14**



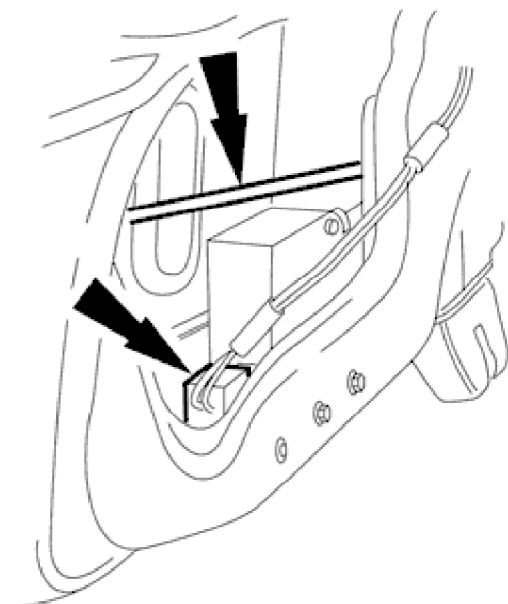
**E36310**

5. Remove and discard sufficient trunk lid liner fasteners to permit access to motor.



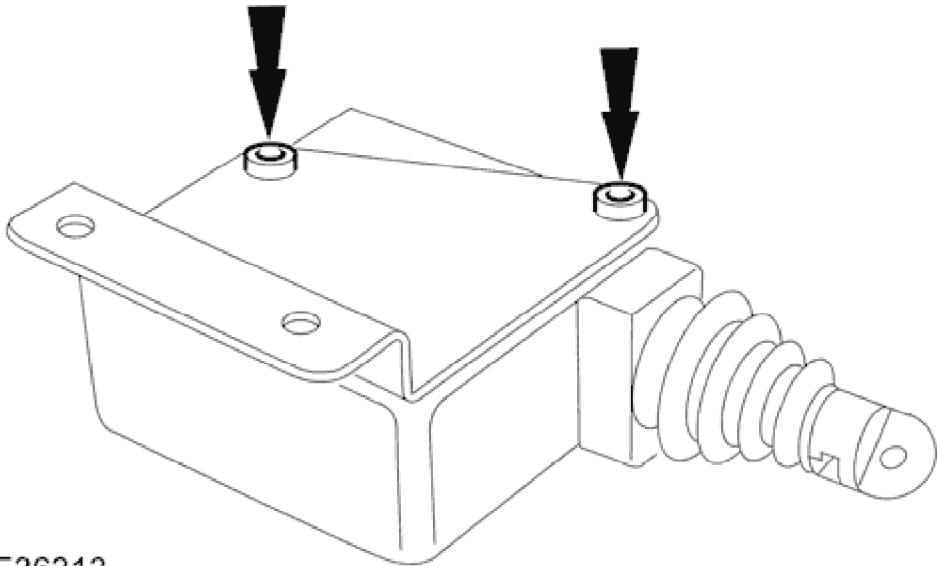
**E36312**

6. Positioning the trunk lid liner for access, slacken and remove the lock motor mounting bracket securing bolts.



E35537

- 7. Position and support lock motor for access and disconnect harness multiplug and lock link rod.
- 8. Remove motor and bracket assembly from trunk lid



E36313

- 9. Slacken and remove bolts securing lock motor to mounting bracket and separate motor from bracket.

**Installation**

- 1. Position motor on mounting bracket and fit and tighten securing bolts.

## 2002 XJ RANGE - Handles, Locks, Latches and Entry Systems - 501-14

2. Position motor/bracket assembly in trunk lid and connect lock link rod and harness multiplug.
3. Finally position motor/bracket assembly in trunk lid and fit and tighten securing bolts.
4. Position trunk lid liner and fit and fully seat new fasteners.
5. Position finisher over trunk lock.
6. Fit and tighten finisher securing bolts and fit bolt covers..
7. Connect ground cable to battery terminal and fit battery cover. Refer to <<86.15.15>>.