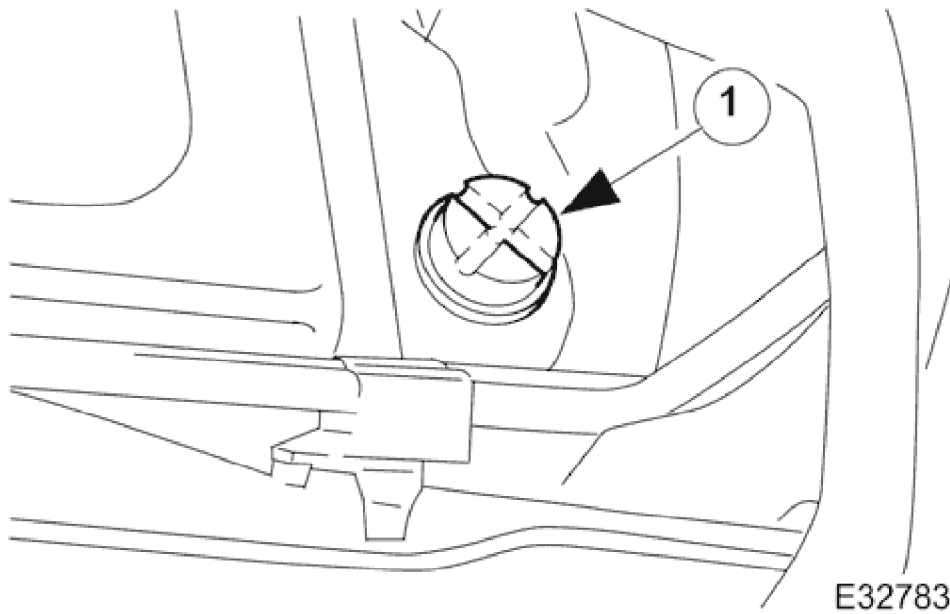


# 1998 XJ RANGE - Engine Cooling - 303-03A

## Cooling System Draining, Filling and Bleeding Vehicles Without: Supercharger

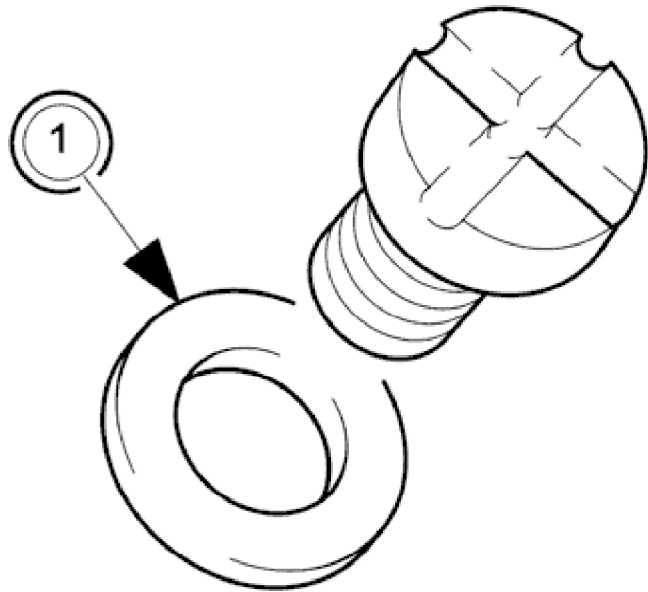
### Drain

1. Open the engine compartment and fit paintwork protection sheets.
2. Ensure that the cooling system is cool and very carefully, remove the pressure cap from the header tank.
3. Raise the vehicle.



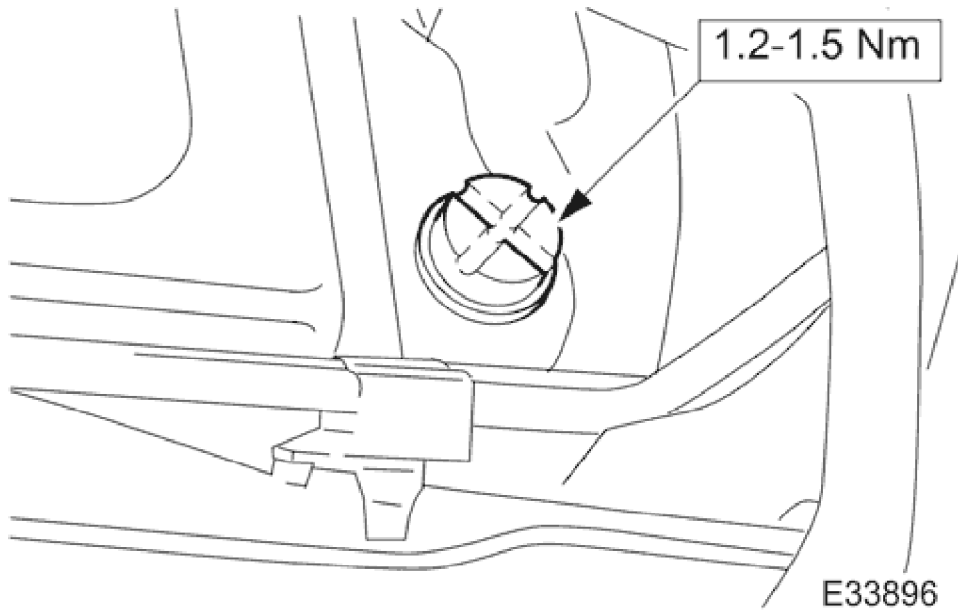
4. Drain the coolant.
  - Place a coolant drain tray on the floor, below the radiator drain plug.
    1. Remove the radiator drain plug. and allow the coolant to drain.

# 1998 XJ RANGE - Engine Cooling - 303-03A



E32784

- 5. Fit a new seal to the drain plug.
  - 1. Remove the seal from the drain plug, and clean the plug face.
  - Fit a new seal.

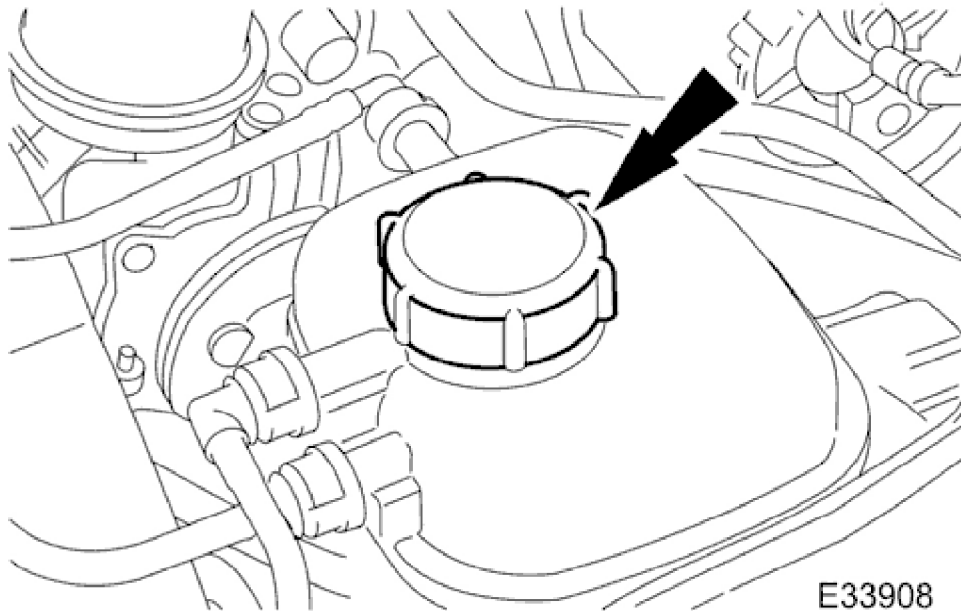


E33896

- 6. Refit the radiator drain plug.
  - Clean any coolant from the underside of the vehicle. Remove the drain tray.
  
- 7. Lower the vehicle.

## Refill

## 1998 XJ RANGE - Engine Cooling - 303-03A



1. Refill the cooling system with a 50% solution of water and Jaguar Antifreeze / Corrosion Inhibitor ESD-M97B49-A.

1. Fill the cooling system at the header tank until the level stabilises at the top of the breather neck.
  - Allow at least 2 minutes for air to purge from the system.
  - Top up the header tank as required and fit the pressure cap.

2. Switch on the ignition, switch off the climate control system and start the engine.

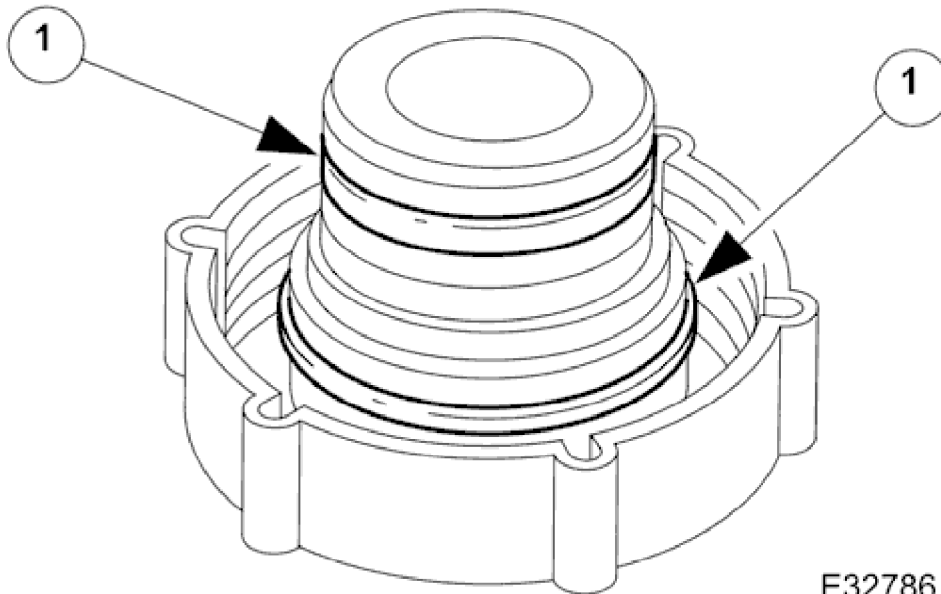
3. Run the engine at between 1500 and 2000 rpm until the cooling fans operate.

4. Switch on the A/C system, set to maximum heat, and check that heat is coming from the heater at the fascia vents or the footwell outlets.

5. Switch off the engine and allow it to cool down.

6. When cool, remove the pressure cap and top up the system as necessary at the header tank.

## 1998 XJ RANGE - Engine Cooling - 303-03A



E32786

7. If necessary, fit new seals to the pressure cap.
  1. Remove both O-rings from the pressure cap.
    - Fit and fully seat new O-rings to the pressure cap.
8. Fit the pressure cap.
9. Remove the paintwork protection sheets and close the engine cover.