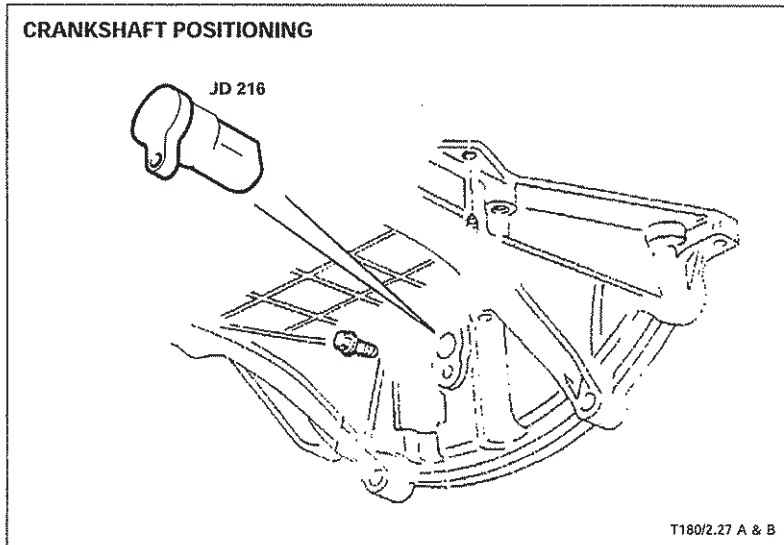


# AJV8 Engine Assembly



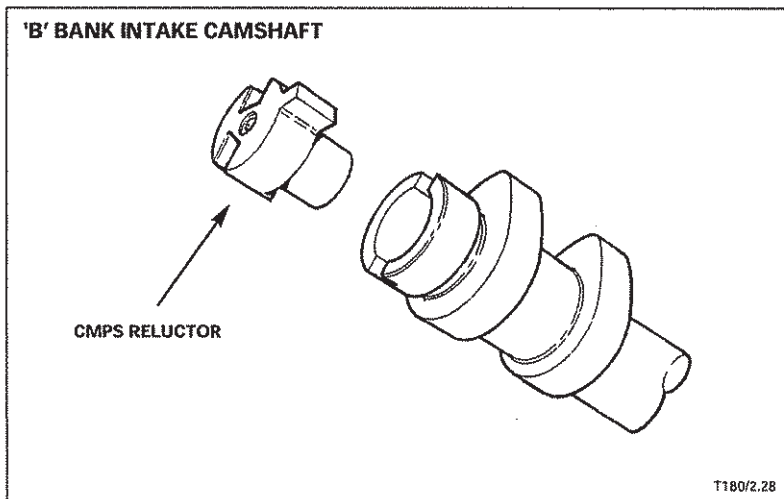
## Camshafts

Prior to installing the camshafts, position the crankshaft to 45° ATDC cylinder 1A. Hold the drive plate in position with JD 216 inserted through the cylinder block crankshaft position sensor hole and engaged in the drive plate slot. Do not rotate the crankshaft until valve timing is complete.

**⚠ CAUTION: Do not use JD 216 to lock the crankshaft when tightening camshaft, crankshaft or vibration damper bolts.**

### Camshaft position sensor

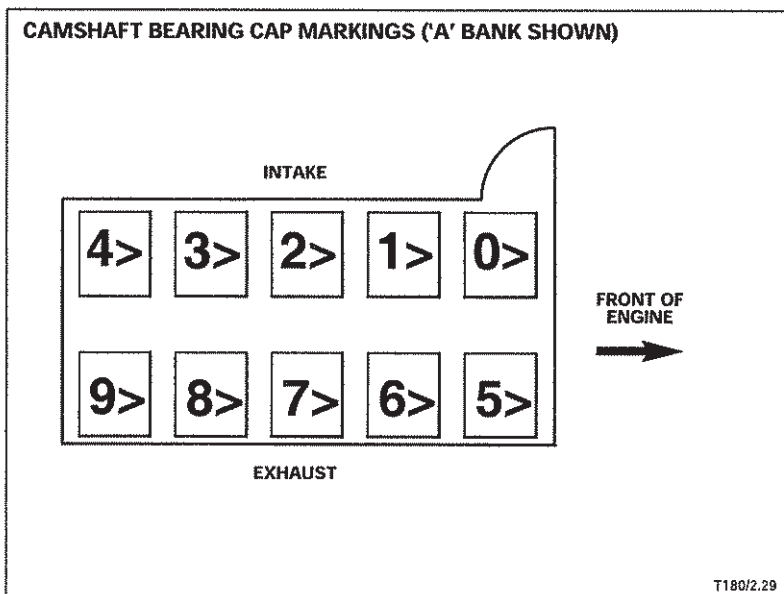
The camshaft position sensor reluctor is pressed into the 'B' bank intake camshaft. There should be no noticeable gap between the engagement dogs on the reluctor and the slots in the camshaft. Refer to Technical Bulletin 303-08.



### Camshaft bearing caps

Camshaft bearing caps must be installed in their original positions as marked on their outer faces. The arrow mark (>) points toward the front of the engine. On 'A' bank bearing caps, the arrow appears after the number (1>); on 'B' bank bearing caps, the arrow appears before the number (>1).

Camshaft bearing caps	Numbers
Intake	0 – 4 from front
Exhaust	5 – 9 from front



## NOTES