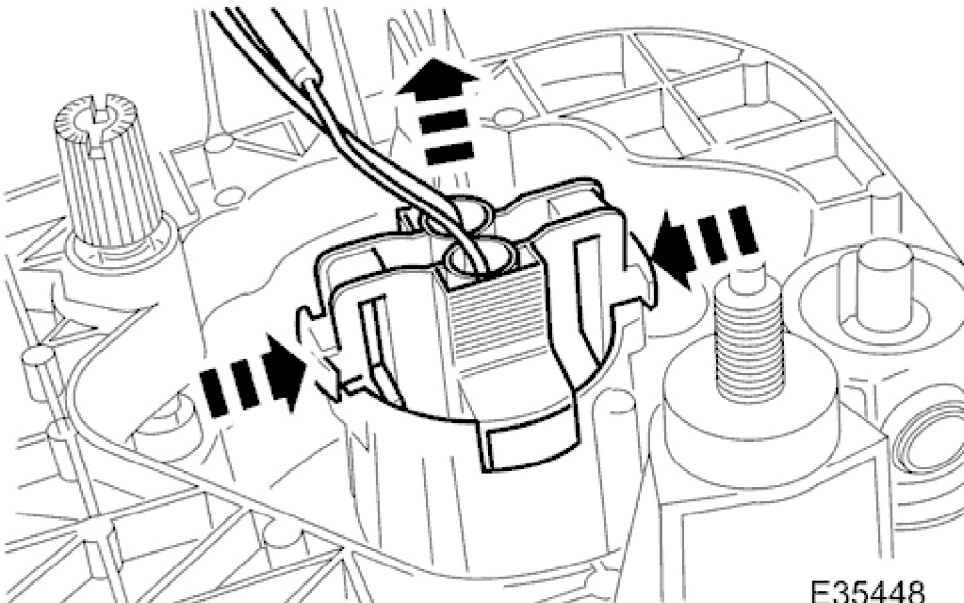


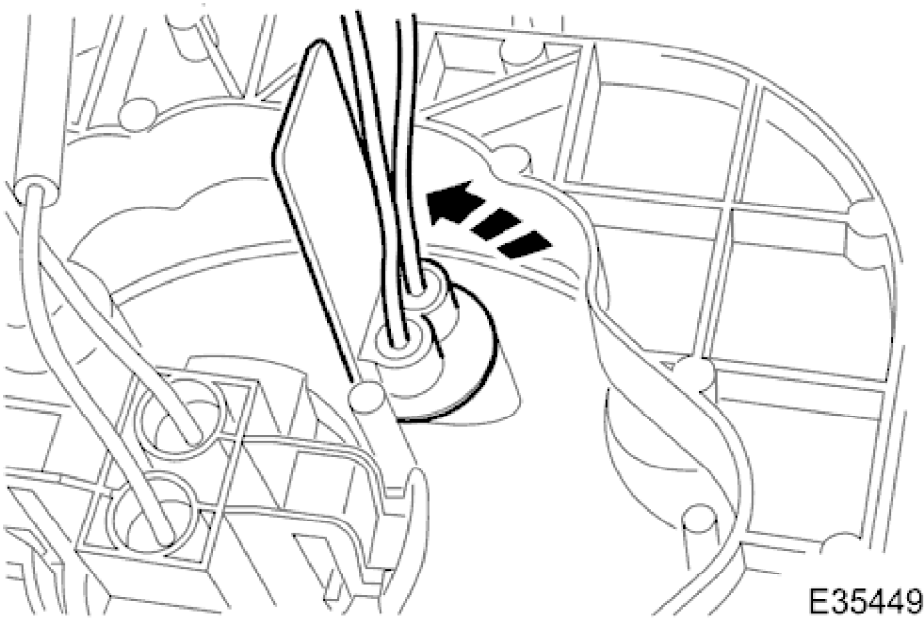
High Beam Headlamp 86.41.34

Removal

- 1. Remove headlamp assembly for access. Refer to <<86.41.33>>.



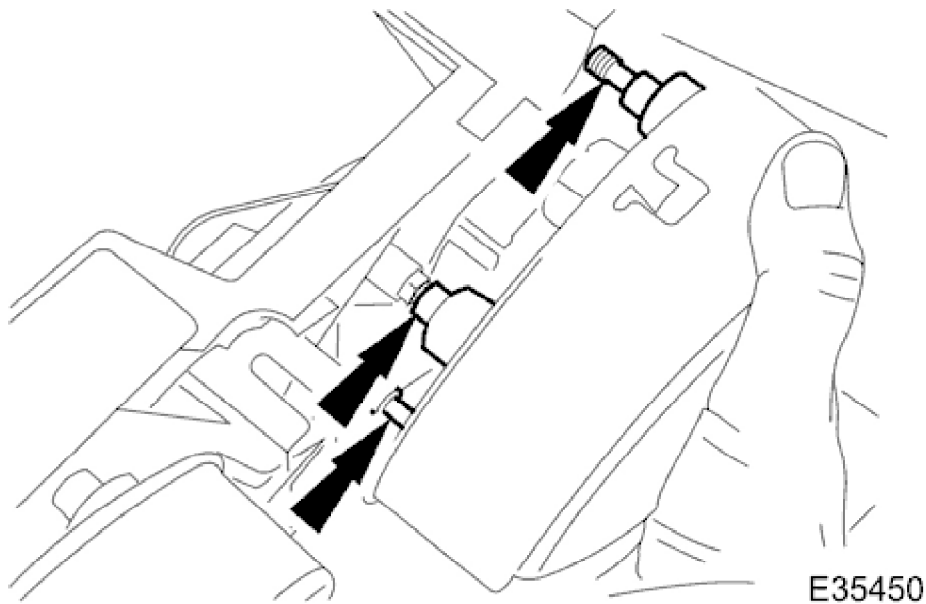
- 2. Release bulb holder securing tangs and position holder for access.



- 3. Rotate pilot bulb holder 1/4 turn and withdraw holder.

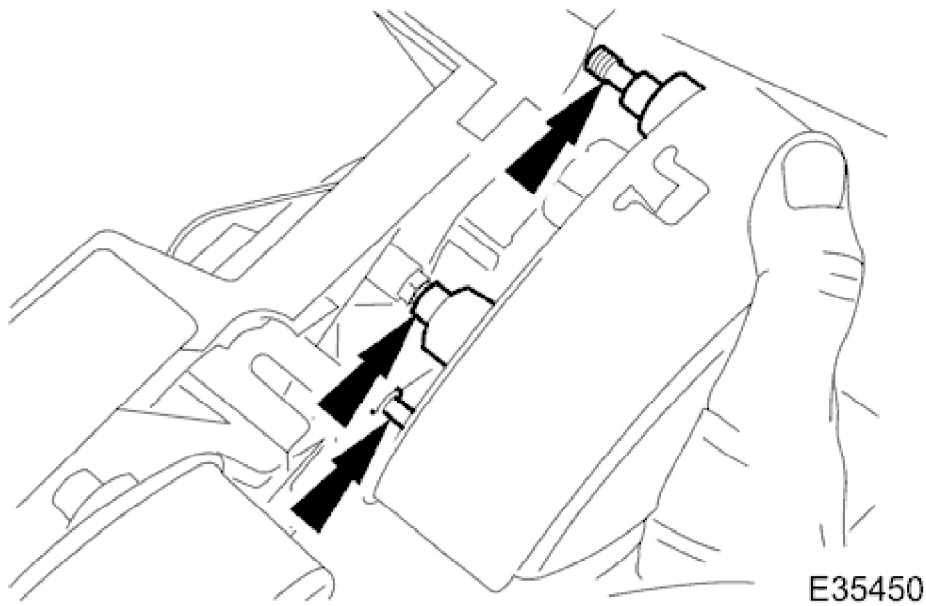
- 4. Invert headlamp assembly.

1999 XJ RANGE - Exterior Lighting - 417-01



5. Release headlamp unit adjusting screws and pivot.

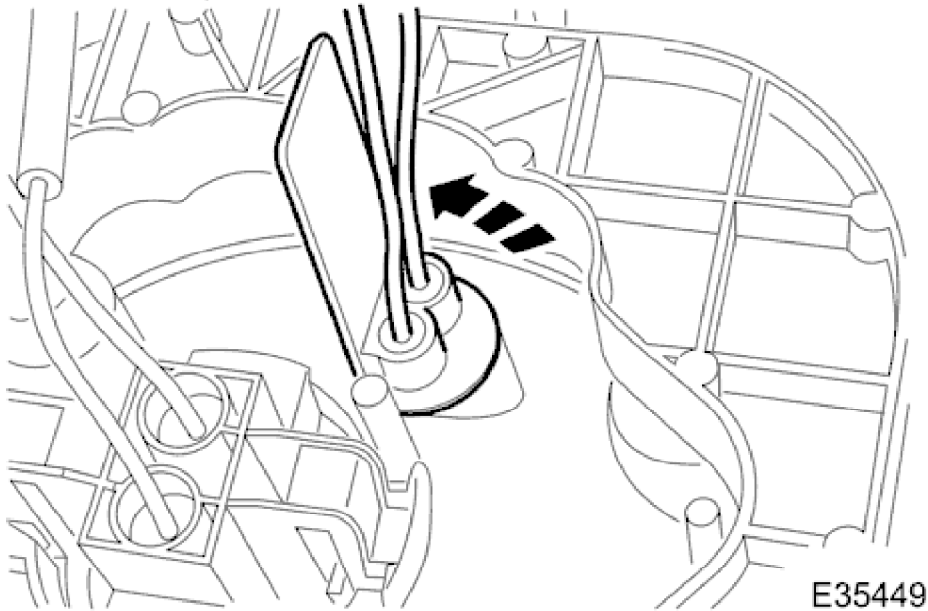
Installation



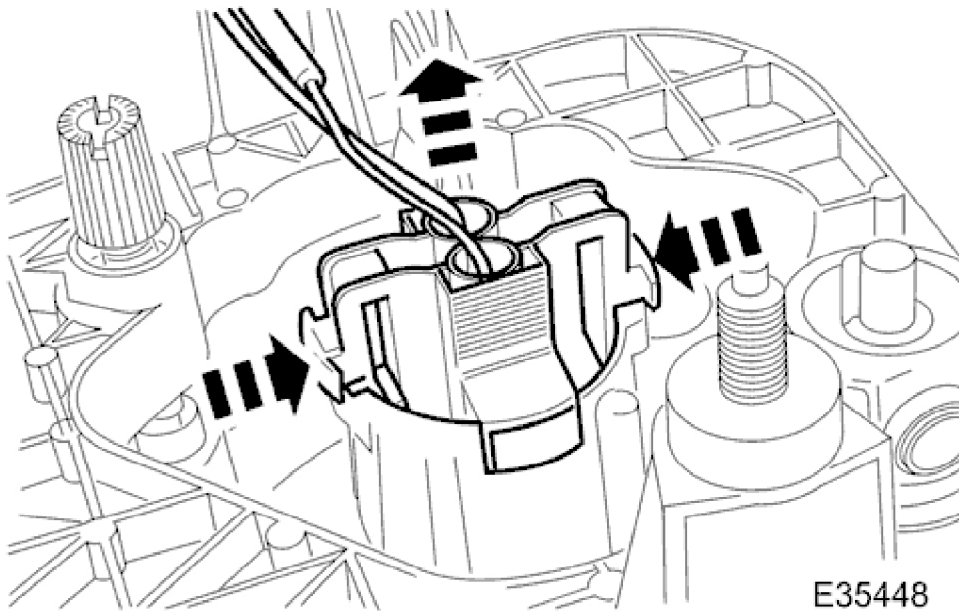
1. Install headlamp unit on adjusting screw and pivot seats.

2. Invert headlamp assembly.

1999 XJ RANGE - Exterior Lighting - 417-01



3. Install pilot bulb holder in headlamp unit and rotate 1/4 turn to secure.



4. Install headlamp assembly bulb holder.

5. Install headlamp assembly. Refer to <<86.41.33>>.

6. Align headlamp beams.