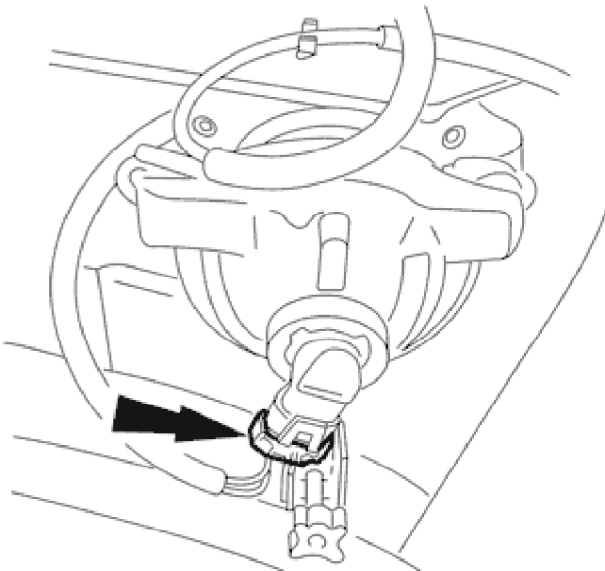


1998 XJ RANGE - Exterior Lighting - 417-01

Front Fog Lamp 86.40.96

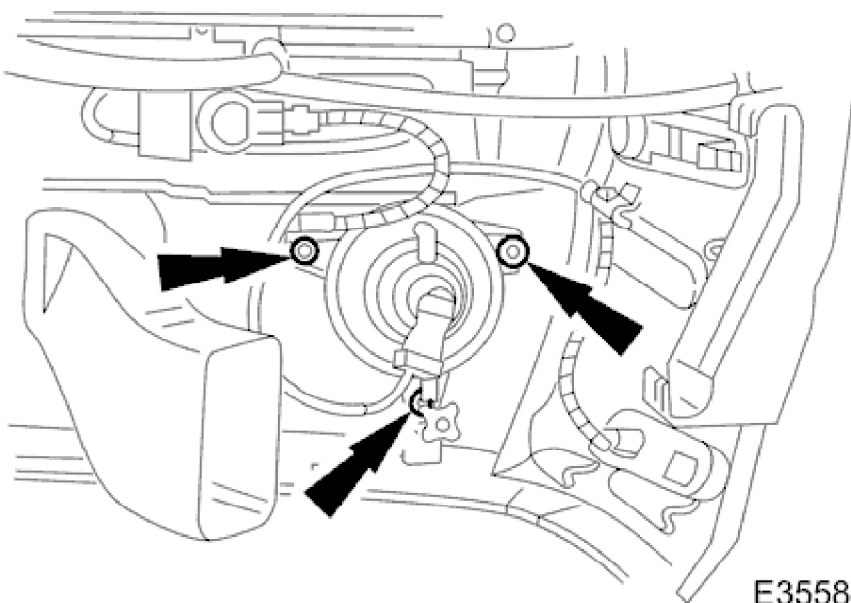
Removal

- 1. Remove undertray for access. Refer to <<76.22.90>>.



E35930

- 2. Disconnect fog lamp harness multiplug.



E35584

- 3. Remove the three fog lamp securing bolts.
- 4. Withdraw fog lamp assembly from rear of bumper.

1998 XJ RANGE - Exterior Lighting - 417-01

Installation

1. **NOTE:**

Vertical alignment of the fog lamp is pre-set. No attempt must be made to alter this setting.

Position fog lamp assembly on bumper.

2. Install fog lamp securing bolts.

3. Connect fog lamp harness multiplug.

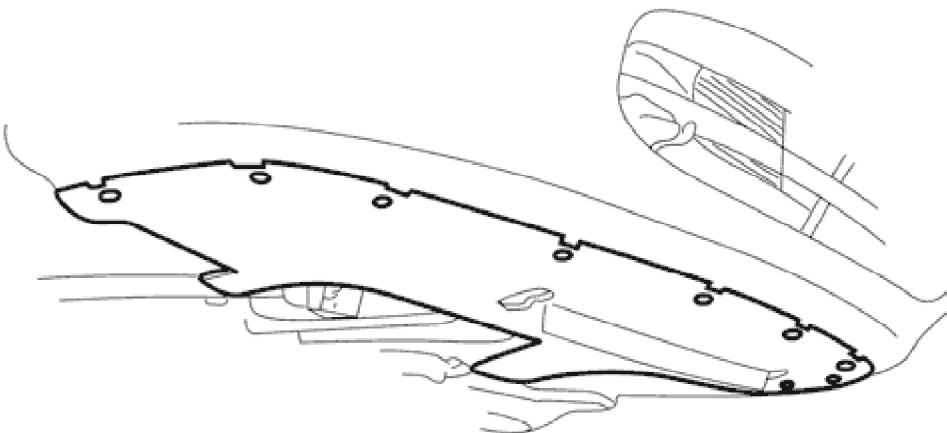
4. Install undertray. Refer to <<76.22.90>>.

1998 XJ RANGE - Front End Body Panels - 501-02

Radiator Splash Shield 76.22.90

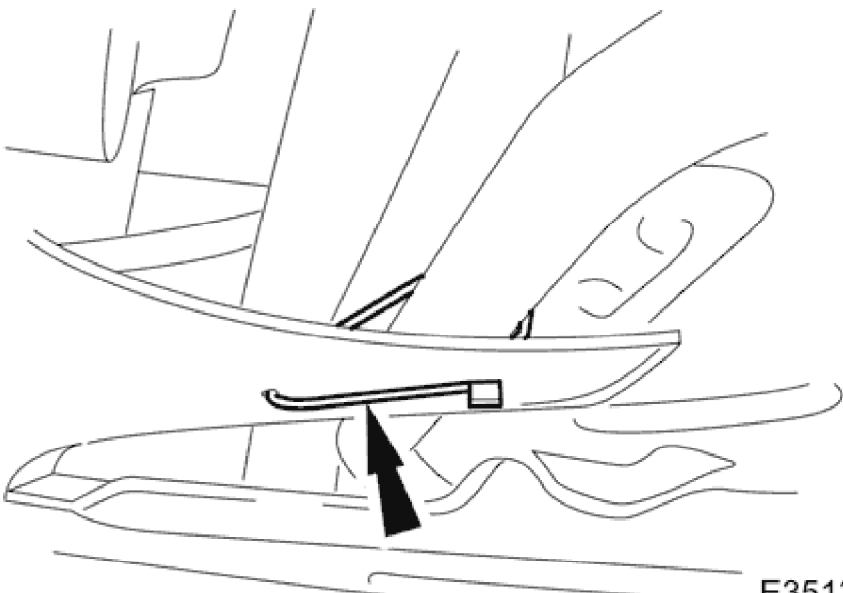
Removal

1. Raise front of vehicle and support on stands.



E36252

2. Remove and discard seven scrivenets securing undertray to bumper cover.



E35139

3. Remove and discard tiestrap securing undertray to crossbeam front brace.

1998 XJ RANGE - Front End Body Panels - 501-02



E36253

4. At each side of vehicle, remove and discard scrivet securing undertray to wheelarch liner.
5. Remove undertray and wind deflectors from vehicle.
6. Remove and discard plastic scrivets securing wind deflectors to undertray.

Installation

1. Position wind deflector on undertray and secure with new scrivets.
2. Position liners in wheelarches.
3. Position undertray assembly under vehicle and using new plastic fixings, secure assembly to wheelarch liners.
4. Position undertray/wind deflector assembly on vehicle and secure to front bumper using new plastic scrivets.
5. Fit road wheels.
6. Lower vehicle from stands.