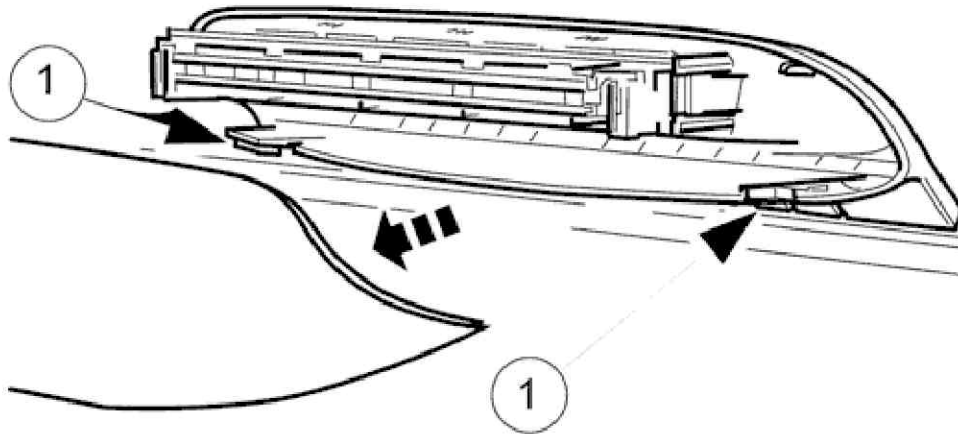


2001 XJ RANGE - Exterior Lighting - 417-01

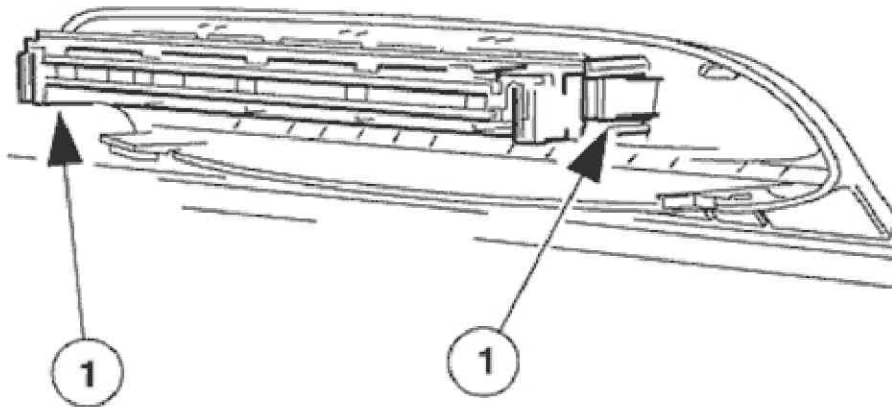
High Mounted Stoplamp Bulb 86.41.02

Removal



E33329

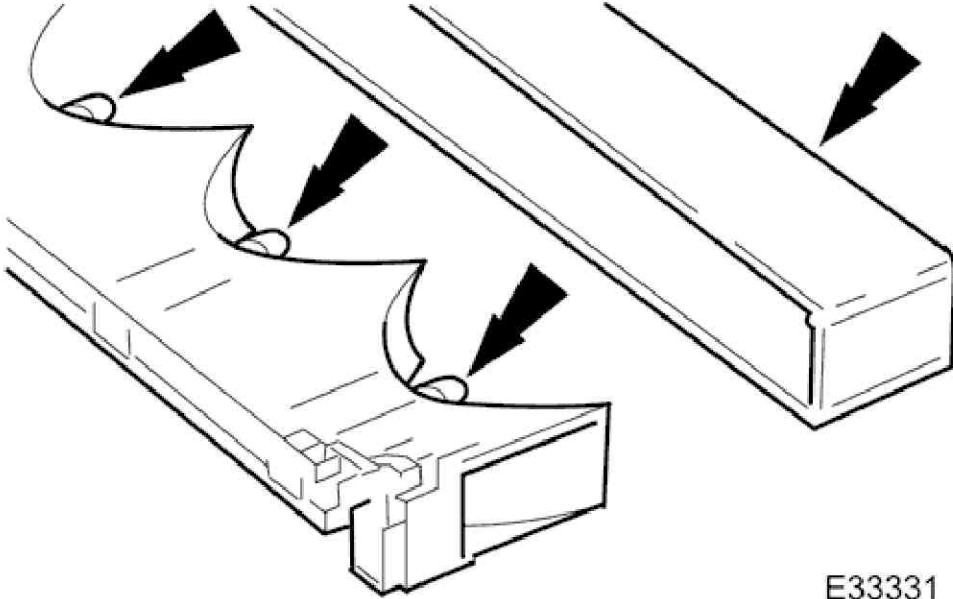
1. Remove cover from stop lamp.
 1. Depress two tangs at base of lamp cover and withdraw cover.



E33330

2. Remove lamp module.
 1. Release spring clips at each end and remove lamp module from carrier.

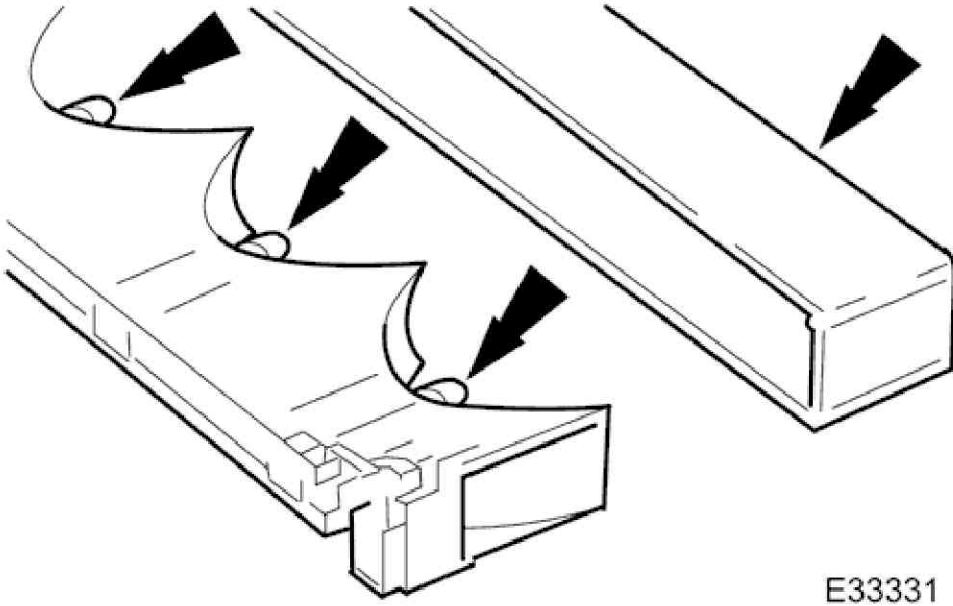
2001 XJ RANGE - Exterior Lighting - 417-01



- 3.  **CAUTION:**
Exercise care to avoid contact with reflective surfaces.

Withdraw lens and remove relevant bulb from module.

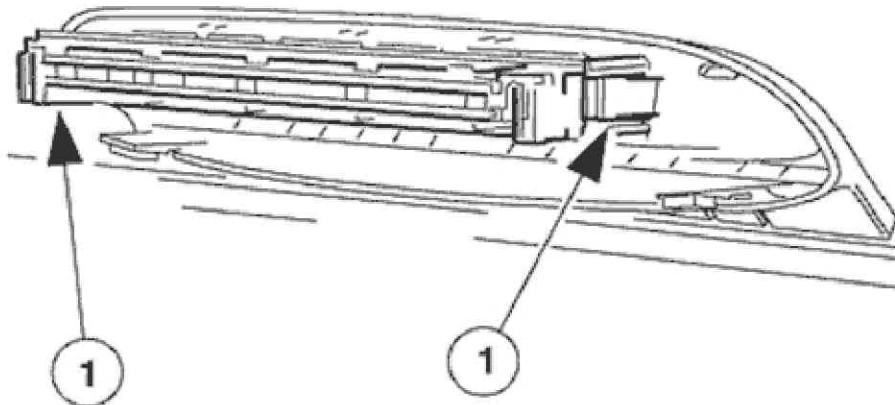
Installation



- 1.  **CAUTION:**
Exercise care to avoid contact with reflective surfaces.

2001 XJ RANGE - Exterior Lighting - 417-01

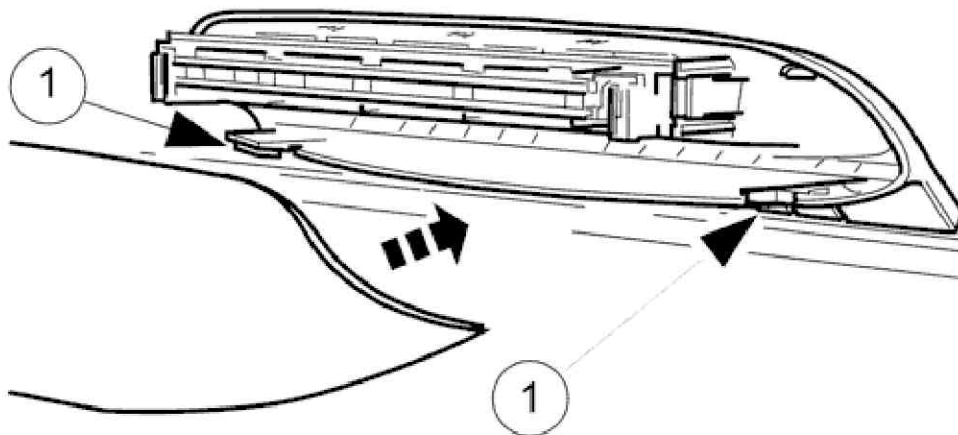
Install new bulbs as necessary and install lens.



E33330

2. Install module.

1. Slide module into carrier and seat securing clip at each end.



E34389

3. Install lamp cover.

1. Position cover over module and seat lower retaining clips in carrier.