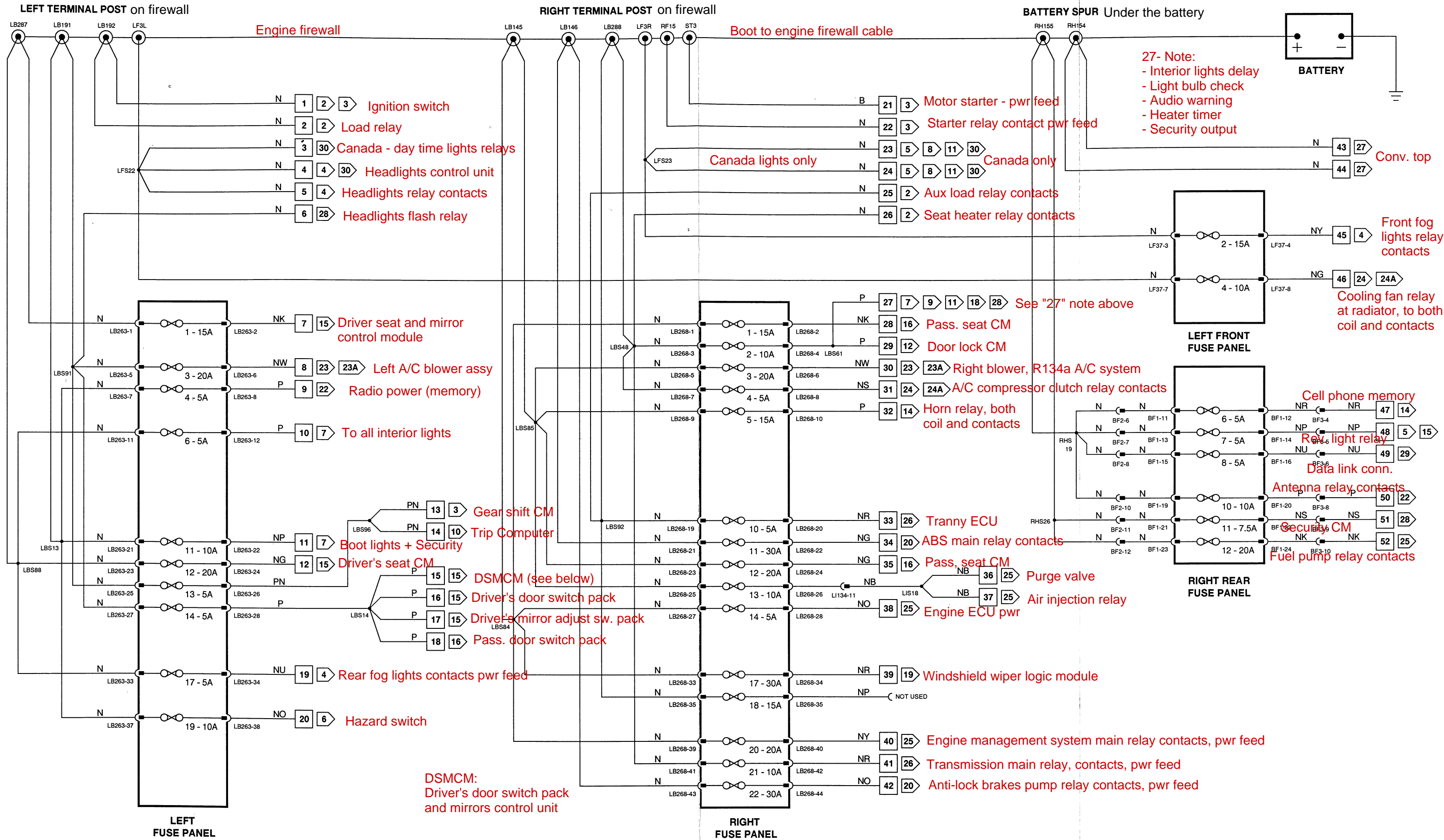


THIS ENTIRE DIAGRAM IS HOT WHEN IGNITION IS OFF - ANY CURRENT FLOW OVER 40-50 MA HERE REPRESENTS A BATTERY DRAIN



27- Note:  
 - Interior lights delay  
 - Light bulb check  
 - Audio warning  
 - Heater timer  
 - Security output

DSMCM:  
 Driver's door switch pack  
 and mirrors control unit

Conv. top  
 43 27  
 44 27

Front fog lights relay contacts  
 45 4

Cooling fan relay at radiator, to both coil and contacts  
 46 24 24A

Cell phone memory  
 NR 47 14

Rev. light relay  
 NP 48 5 15

Data link conn.  
 NU 49 29

Antenna relay contacts  
 P 50 22

Security CM  
 NS 51 28

Fuel pump relay contacts  
 NK 52 25

See "27" note above  
 27 7 9 11 18 28

Pass. seat CM  
 NK 28 16

Door lock CM  
 P 29 12

Right blower, R134a A/C system  
 NW 30 23 23A

A/C compressor clutch relay contacts  
 NS 31 24 24A

Horn relay, both coil and contacts  
 P 32 14

Tranny ECU  
 NR 33 26

ABS main relay contacts  
 NG 34 20

Pass. seat CM  
 NG 35 16

Purge valve  
 NB 36 25

Air injection relay  
 NB 37 25

Engine ECU pwr  
 NO 38 25

Windshield wiper logic module  
 NR 39 19

NOT USED  
 NP

Engine management system main relay contacts, pwr feed  
 NY 40 25

Transmission main relay, contacts, pwr feed  
 NR 41 26

Anti-lock brakes pump relay contacts, pwr feed  
 NO 42 20

Ignition switch  
 1 2 3

Load relay  
 2 2

Canada - day time lights relays  
 3 30

Headlights control unit  
 4 4 30

Headlights relay contacts  
 5 4

Headlights flash relay  
 6 28

Driver seat and mirror control module  
 NK 7 15

Left A/C blower assy  
 NW 8 23 23A

Radio power (memory)  
 P 9 22

To all interior lights  
 P 10 7

Gear shift CM  
 PN 13 3

Trip Computer  
 PN 14 10

Boot lights + Security  
 NP 11 7

Driver's seat CM  
 NG 12 15

DSMCM (see below)  
 P 15 15

Driver's door switch pack  
 P 16 15

Driver's mirror adjust sw. pack  
 P 17 15

Pass. door switch pack  
 P 18 16

Rear fog lights contacts pwr feed  
 NU 19 4

Hazard switch  
 NO 20 6

Canada lights only  
 LFS23

Canada only  
 23 5 8 11 30  
 24 5 8 11 30

Aux load relay contacts  
 25 2

Seat heater relay contacts  
 26 2

1 - 15A  
 2 - 10A  
 3 - 20A  
 4 - 5A  
 5 - 15A  
 10 - 5A  
 11 - 30A  
 12 - 20A  
 13 - 10A  
 14 - 5A  
 17 - 30A  
 18 - 15A  
 20 - 20A  
 21 - 10A  
 22 - 30A

LB263-1  
 LB263-2  
 LB263-5  
 LB263-7  
 LB263-11  
 LB263-21  
 LB263-23  
 LB263-25  
 LB263-27  
 LB263-33  
 LB263-37

LB268-1  
 LB268-3  
 LB268-5  
 LB268-7  
 LB268-9  
 LB268-19  
 LB268-21  
 LB268-23  
 LB268-25  
 LB268-27  
 LB268-33  
 LB268-35  
 LB268-39  
 LB268-41  
 LB268-43

LF37-3  
 LF37-4  
 LF37-7  
 LF37-8

BF2-6  
 BF2-7  
 BF2-8  
 BF2-10  
 BF2-11  
 BF2-12  
 BF1-11  
 BF1-13  
 BF1-15  
 BF1-19  
 BF1-21  
 BF1-23  
 BF1-12  
 BF1-14  
 BF1-16  
 BF1-20  
 BF1-24  
 BF3-4  
 BF3-6  
 BF3-8  
 BF3-10

LEFT FUSE PANEL

RIGHT FUSE PANEL