




# XJ12 Sedan 1994 Electrical Guide

XJ12 SEDAN 1994 MY

 **WARNING:** This publication is intended for use by professional technicians with knowledge of Jaguar vehicle systems. All necessary safety precautions must be taken when servicing or handling components and systems that have the potential for causing bodily injury or death.

PRINTED IN USA  
Publication number S82/94A

© 1993 Jaguar Cars Inc.

All rights reserved. All material contained herein is based on the latest information available at the time of publication. The right is reserved to make changes at any time without notice.



## Front Matter

Component Index	ii - iv
Key to Symbols and Codes	v - vi
Connector Identification	vii
Relay Identification and Location	viii
ECU Identification and Location	ix
Fuse Identification and Location	x - xi

## Wiring Diagrams

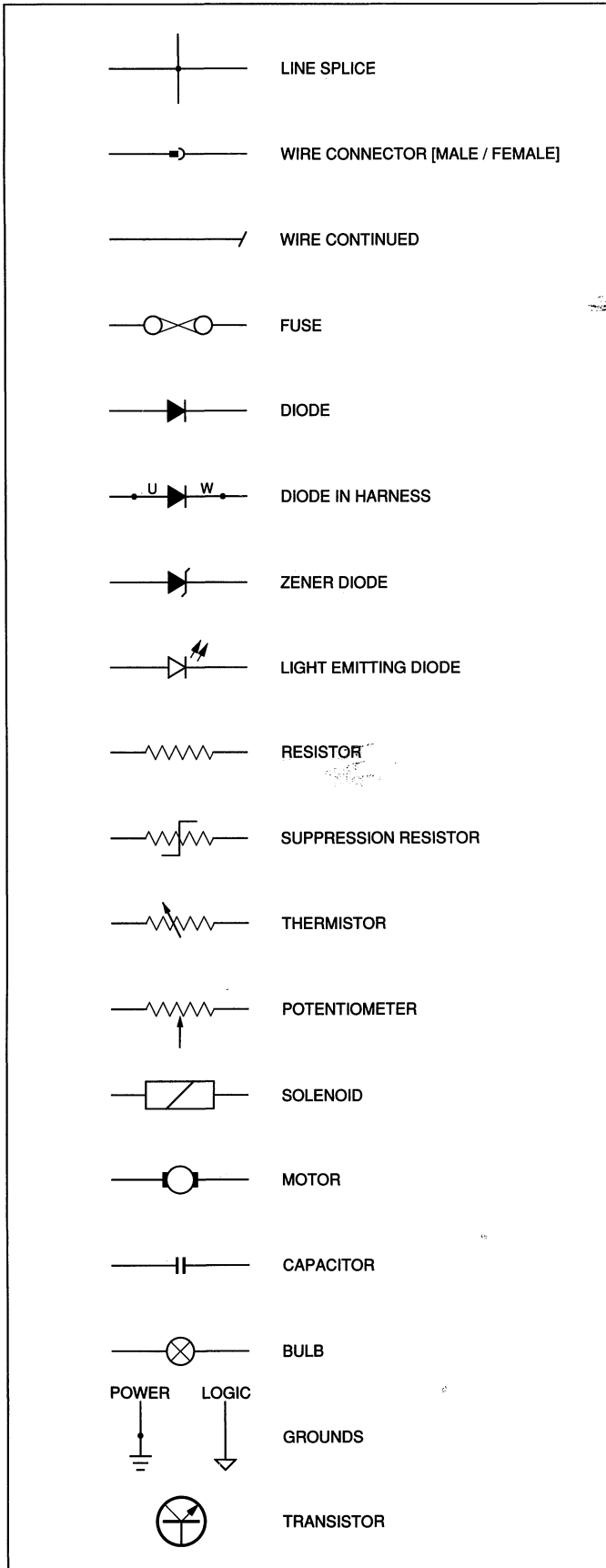
Battery Power Distribution – Left Fuse Panel	FIG 1/L
Battery Power Distribution – Right Fuse Panel	FIG 1/R
Ignition Switched Power Distribution	FIG 2
Ignition Switched Ground Distribution	FIG 3
Logic Ground Distribution	FIG 4
Central Microprocessor: Inputs / Outputs	FIG 5
Battery; Starter; Generator; Gear Shift Interlock	FIG 6
Headlights; Fog Lights	FIG 7
Side Lights; Tail Lights	FIG 8
Turn Signals; Hazard Warning Lights; Stop Lights	FIG 9
Interior Lighting	FIG 10
Instrument Lighting; Locate Lighting; Clock	FIG 11
Instrumentation: Normal Display	FIG 12
Instrumentation: Hazard and Fault Display	FIG 13
Audible Warnings	FIG 14
Central Locking	FIG 15
Powered Windows; Sun Roof	FIG 16
Horns; Cigar Lighters; Hood Lights; Glove Box Light; Accessory Connectors	FIG 17
Powered Seat: Driver	FIG 18
Powered Mirrors	FIG 19
Powered Seat: Passenger	FIG 20
Powered Seat: Passenger (Memory)	FIG 21
Seat Heaters	FIG 22
Heaters: Windshield Washer, Headlight Power Wash	FIG 23
Heaters: Rear Window, Door Mirrors, Windshield	FIG 24
Windshield Wiper; Windshield Washer; Headlight Power Wash	FIG 25
Anti-Lock Braking	FIG 26
Cruise Control	FIG 27
In-Car Entertainment	FIG 28
Climate Control	FIG 29
Compressor Clutch; Cooling Fans	FIG 30
Engine Management System: Fuel Injection	FIG 31
Engine Management System: Ignition	FIG 32
Transmission Control	FIG 33
Security System	FIG 34
Ride Leveling	FIG 35
Serial Communications Data Link	FIG 36
Accessory Connection; Telephone Connection; Rear View Mirror	FIG 37

ABS DIAGNOSTIC CONNECTOR	FIG 26	CLIMATE CONTROL ECM	FIG 29
ABS ECM	FIG 26	CLIMATE CONTROL PANEL	FIG 11 FIG 24 FIG 29
ABS MAIN VALVE	FIG 26		
ABS PUMP	FIG 26	CLIMATE CONTROL SOLENOID VALVE BLOCK	FIG 29
ABS RESERVOIR	FIG 26	CLIMATE CONTROL SWITCH	FIG 11
ABS VALVE BLOCK	FIG 26	COLUMN SWITCH GEAR	FIG 10
AIR CONDITIONING COMPRESSOR CLUTCH	FIG 30	COLUMN SWITCH GEAR SPEAKER	FIG 14
AIR INJECTION PUMP	FIG 31	COMBINED PRESSURE SWITCH	FIG 26
AIR INJECTION SOLENOID VACUUM VALVE	FIG 31	COOLANT TEMPERATURE SENSOR	FIG 12 FIG 31
AIR TEMPERATURE SENSOR	FIG 31 FIG 32	COOLANT TEMPERATURE SWITCH	FIG 29 FIG 30
AMBIENT AIR TEMPERATURE SENSOR	FIG 23		
AMBIENT TEMPERATURE SENSOR	FIG 29	CRUISE CONTROL ECM	FIG 27
ANTENNA	FIG 28	CRUISE CONTROL INHIBIT	FIG 27
ANTENNA MOTOR	FIG 28	CYCLE SWITCH	FIG 12
ANTENNA MOTOR ASSEMBLY	FIG 28	DIMMER SWITCH	FIG 11
ASPIRATOR	FIG 29	DISTRIBUTOR	FIG 32
BAROMETRIC PRESSURE SENSOR	FIG 33	DOOR GUARD LIGHTS	FIG 10
BATTERY	FIG 1/L FIG 1/R FIG 4 FIG 6	DOOR LOCK SWITCHES	FIG 15 FIG 34
		DOOR MIRRORS	FIG 19
BLOWERS	FIG 29	DOOR SWITCH PACK – DRIVER	FIG 10 FIG 11 FIG 16 FIG 18 FIG 19
BRAKE SWITCH	FIG 6 FIG 9 FIG 13 FIG 26 FIG 27 FIG 33	DOOR SWITCH PACK – LEFT REAR	FIG 10 FIG 11 FIG 16
CD AUTO CHANGER	FIG 28	DOOR SWITCH PACK – PASSENGER	FIG 10 FIG 11 FIG 16
CD HEAD	FIG 28		
CENTER CONSOLE	FIG 10 FIG 11 FIG 15 FIG 16 FIG 24	DOOR SWITCH PACK – RIGHT REAR	FIG 10 FIG 11 FIG 16
		DOOR SWITCH – DRIVER	FIG 10 FIG 14 FIG 18 FIG 34
CENTRAL MICROPROCESSOR	FIG 5 FIG 6 FIG 9 FIG 10 FIG 11 FIG 13 FIG 14 FIG 15 FIG 16 FIG 22 FIG 24 FIG 25 FIG 28 FIG 36	DOOR SWITCH – LEFT REAR	FIG 10
		DOOR SWITCH – PASSENGER	FIG 10 FIG 34
		DOOR SWITCH – RIGHT REAR	FIG 10
		DUAL PRESSURE CUTOFF SWITCH	FIG 30
		DUMP VALVE	FIG 27
CIGAR LIGHTERS	FIG 17	E POST LIGHTS	FIG 10
		ENGINE CONTROL MODULE	FIG 36

ENGINE CONTROL MODULE: IGNITION	FIG 32	INERTIA SWITCH	FIG 3
ENGINE COOLANT LEVEL SENSOR	FIG 13	INSTRUMENT PACK	FIG 11 FIG 12 FIG 13 FIG 36
ENGINE SPEED SENSOR (FLYWHEEL)	FIG 32		
EVAPORATOR TEMPERATURE SENSOR	FIG 29	INTRUSION ECU	FIG 34
FACIA SWITCH PACK	FIG 7 FIG 8 FIG 9 FIG 11 FIG 14 FIG 25	INTRUSION SENSORS	FIG 34
		KEY BARREL SWITCHES	FIG 15 FIG 16
FAN MOTORS	FIG 30	KEY LOCK SOLENOID	FIG 6
FEEDBACK POTENTIOMETERS	FIG 29	KEY-IN SWITCH	FIG 10 FIG 14
FUEL INJECTORS	FIG 31	KICKDOWN SWITCH	FIG 33
FUEL LEVEL SENSOR	FIG 12	LINEAR GEAR POSITION SWITCHES	FIG 6 FIG 8 FIG 33
FUEL PUMPS	FIG 31		
FUEL PUMP CONTROL MODULE	FIG 31	LOCK ACTUATORS	FIG 15
FUSE PANEL – CENTER	FIG 2	LUMBAR SWITCH – DRIVER	FIG 18
FUSE PANEL – LEFT	FIG 1/L	LUMBAR SWITCH – PASSENGER	FIG 20
FUSE PANEL – RIGHT	FIG 1/R	MAIN RECIRCULATION SOLENOID	FIG 29
GEAR POSITION INDICATOR MODULE	FIG 33	MIRROR HEATERS	FIG 24
GEAR SHIFT SOLENOID	FIG 6	MODE SWITCH	FIG 33
GENERATOR	FIG 6	OIL PRESSURE SENSOR	FIG 12
GLOVE BOX LIGHT	FIG 17	OXYGEN SENSORS	FIG 31
GLOVE BOX SWITCH	FIG 17	PARK MICRO SWITCH	FIG 6
HAND BRAKE SWITCH	FIG 13	POWER MODULES	FIG 32
HEADLIGHT FLASH SWITCH	FIG 7	POWER RESISTORS	FIG 31
HEADLIGHT WASH PUMP	FIG 25	POWER WASH HEATERS	FIG 23
HEADLIGHT WASHER HEATERS	FIG 23	PURGE VALVES	FIG 31
HEATER – REAR WINDOW	FIG 24	RADIATOR THERMAL SWITCH	FIG 30
HIGH MOUNT STOP LIGHT	FIG 9 FIG 26	RADIO	FIG 11 FIG 28
HOOD LIGHTS	FIG 17	RELAY AND BULB FAILURE MODULES	FIG 7 FIG 8 FIG 9
HOOD SWITCH	FIG 17 FIG 34		
HORN SWITCHES	FIG 17	RFI FILTERS	FIG 31
HORNS	FIG 17	RIDE HEIGHT SENSOR	FIG 35
HOT START SOLENOID VACUUM VALVE	FIG 31	RIDE LEVELING VALVE BLOCK	FIG 35
IDLE SWITCH	FIG 32	ROOF CONSOLE	FIG 10
IGNITION COILS	FIG 32	SEAT AND MIRRORS ECM – DRIVER	FIG 18 FIG 19 FIG 36
IGNITION SWITCH	FIG 3 FIG 6	SEAT BACK HEATERS	FIG 22
IN-CAR TEMPERATURE SENSOR	FIG 29	SEAT BACK LIGHTS AND SWITCHES	FIG 10
INCLINATION SENSOR	FIG 34		

SEAT CONTROL UNIT – PASSENGER	FIG 20	TRUNK LIGHT SWITCH	FIG 10
SEAT CUSHION HEATERS	FIG 22	TRUNK RELEASE ACTUATOR	FIG 15
SEAT ECM – PASSENGER	FIG 21	TRUNK RELEASE ISOLATION SWITCH	FIG 15
SEAT LUMBAR PUMPS	FIG 18	TRUNK RELEASE SWITCH	FIG 15
SEAT MOTORS – DRIVER	FIG 18	TRUNK SWITCH	FIG 13 FIG 34
SEAT MOTORS – PASSENGER	FIG 20 FIG 21	TURN SIGNAL SWITCHES	FIG 9 FIG 14
SEAT SWITCH PACK – DRIVER	FIG 11 FIG 18 FIG 19 FIG 22	VACUUM PUMP AND CONTROL VALVE	FIG 27
SEAT SWITCH PACK – PASSENGER	FIG 11 FIG 20 FIG 22 FIG 34	VANITY MIRRORS	FIG 10
SEAT SWITCH – DRIVER	FIG 10 FIG 14	WASHER FLUID LEVEL SENSOR	FIG 13 FIG 25
SEAT THERMOSTATS	FIG 22	WHEEL SPEED SENSORS	FIG 26
SECURITY LED	FIG 34	WINDSHIELD HEATERS	FIG 24
SECURITY SOUNDER	FIG 34	WINDSHIELD WASH PUMP	FIG 25
SECURITY SWITCH	FIG 34	WIPE / WASH SWITCHES	FIG 25
SECURITY SYSTEM ANTENNA	FIG 34	WIPER MOTOR	FIG 25
SECURITY SYSTEM ECM	FIG 34 FIG 36		
SERVOS	FIG 29		
SHOCK SENSOR	FIG 34		
SHORTING PLUG	FIG 32		
SOLAR SENSOR	FIG 29		
SPEAKERS (IN-CAR ENTERTAINMENT SYSTEM)	FIG 28		
STARTER	FIG 6		
STRATEGY SELECTION LINK	FIG 32		
SUPPLEMENTARY AIR VALVE	FIG 31		
SUPPRESSION MODULE	FIG 6		
SWITCH PACK – SUNROOF	FIG 16		
TDC SENSOR (CRANKSHAFT)	FIG 32		
TELEPHONE CONNECTOR	FIG 17		
THROTTLE POSITION SENSOR	FIG 31 FIG 33		
TRAILER CONNECTOR	FIG 17		
TRANSIT ISOLATION DEVICE	FIG 2		
TRANSMISSION CONTROL MODULE	FIG 33 FIG 36		
TRIP COMPUTER KEYBOARD	FIG 12		
TRUNK LIGHT	FIG 10		

## Wiring Symbols



## Wiring Color Codes

N	Brown	G	Green	S	Slate
B	Black	R	Red	L	Light
W	White	Y	Yellow	U	Blue
K	Pink	O	Orange	P	Purple

When a wire has two or more color code letters, the first letter indicates the main color and the subsequent letter(s) indicate the tracer color(s).

## Wiring Harness Codes

Code	Description
AC	Air conditioning (climate control unit)
AN	Alternator suppression
BH	Bonnet hood (under hood lights)
CB	Cubby box (glove box)
CE	In-Car entertainment
CF	Cooling fan
CH	Cushion heater
CL	Cigar lighter
DD	Driver's door (main harness)
FA	Front axle (R - right, L - left)
FE	Four-litre (AJ6) engine
FF	Front fender (R - right, L - left)
FL	Fascia lighting
FP	Fuel pump
GB	Transmission (gear box)
HB	Heated backlight (rear window)
HL	Hazard lighting
HM	High mount stop lights
HS	Heated seats
IL	Interior lights
LB	Bulkhead harness (left hand drive)
LF	Left front harness
LS	Left side harness
PD	Passenger's door (main harness)
PL	Puddle lighting
RA	Right rear axle
RD	Rear door harness (R - right, L - left)
RF	Rear fender (R - right, L - left)
RS	Right side harness
SC	Steering column
SM	Seat motor
SQ	Squab heater (Seat back)
SR	Sun roof
SS	Seat switches
ST	Starter terminal
SW	Screen wash
VE	V12 engine
R / L	Right / left
D / P	Driver's / Passenger's

**Connector Codes**

HARNESS CODE + CONNECTOR NUMBER + PIN NUMBER

EXAMPLE: LB13-24 (pin number is separated by a dash)

Note: Absence of a dash and a pin number indicates a single wire connector.

**Splice Codes**

HARNESS CODE + S + IDENTIFICATION NUMBER

EXAMPLE: LBS3 (no dash is used)

**Ground Codes**

HARNESS CODE + G + IDENTIFICATION NUMBER

EXAMPLE: LBG78 (no dash is used)

**Diode Codes**

HARNESS CODE + D + IDENTIFICATION NUMBER

EXAMPLE: LSD3 (no dash is used)

**Reference Symbols**

Five reference symbols are used to indicate the remainder of the circuit (feed and ground) and refer the reader to one of the five preliminary figures.

□ BATTERY POWER DISTRIBUTION (FIGS 1/L, 1/R)

◇ IGNITION SWITCHED POWER (FIG 2)

⬡ IGNITION SWITCHED GROUND (FIG 3)

▽ LOGIC GROUND (FIG 4)

○ CENTRAL MICROPROCESSOR INPUTS / OUTPUTS (FIG 5)

Note: An 'I' in this symbol denotes an input; an 'O' denotes an output.

**Reference Flags**

▷ REFERENCE FLAG

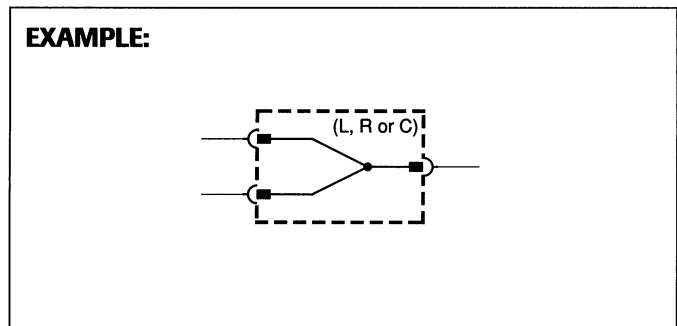
This symbol refers the reader to a figure number only. It does not refer to a flag with the same number on a different figure.

As used in figures 1/L, 1/R, 2 and 3, the FLAG refers to a figure number where the circuit is continued. In this instance, the reader matches the BOX, DIAMOND or OCTAGON numbers to trace the circuit.

In most other cases, it is not necessary to refer to another figure for completion of a circuit. The FLAGS are used to indicate parallel circuits and circuits which share components. Most of the circuits where this situation occurs are overlapped to avoid the necessity for cross-referencing to another figure. Exceptions to this rule are INSTRUMENTATION: NORMAL DISPLAY and the INSTRUMENTATION: HAZARD AND FAULT DISPLAY.

**Splice Boxes**

Splice boxes are indicated by a broken line around a harness splice. The letters 'L', 'R' or 'C' are used to denote the left, right or center splice box.



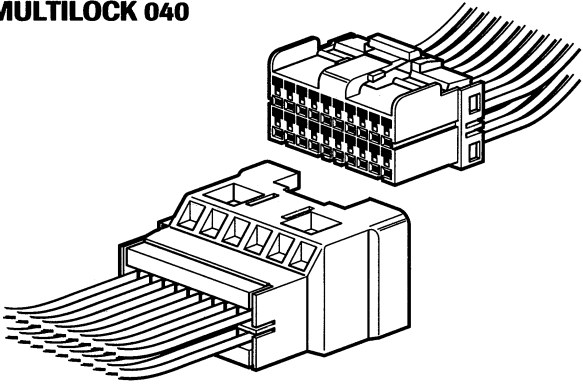
The left and right splice boxes are located, respectively, on the left and right blower housings. The center splice box is integral with the center fuse panel.

**Data Pages**

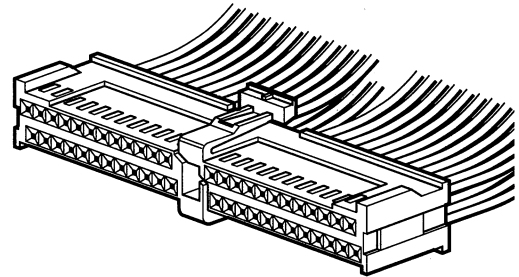
Every wiring diagram has a corresponding data page to its left in the book. This information aids the reader in identifying and locating components, connectors and ground points. Additionally, where applicable, processor and logic unit INPUT / OUTPUT information is provided to aid the reader in understanding circuit operation. This information should be used for reference only.



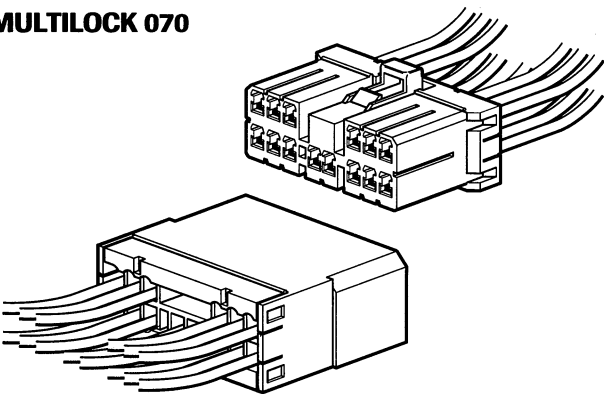
**MULTILOCK 040**



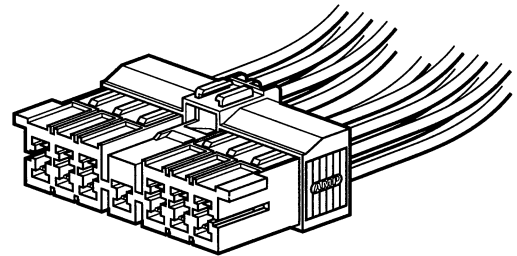
**MODU WIRE TO BOARD**



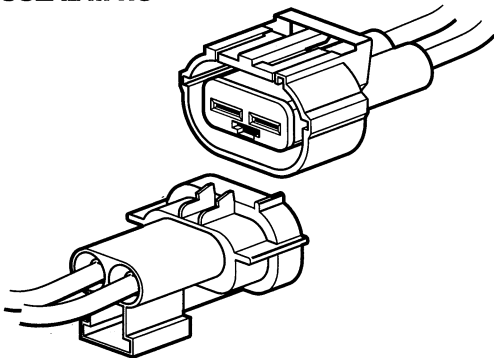
**MULTILOCK 070**



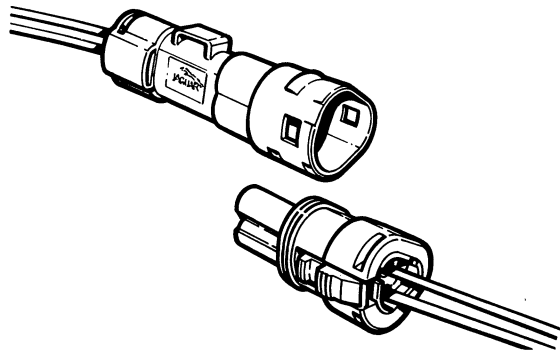
**MIC MK IV**



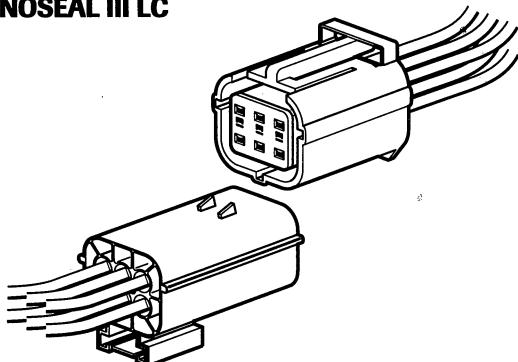
**ECONOSEAL III HC**



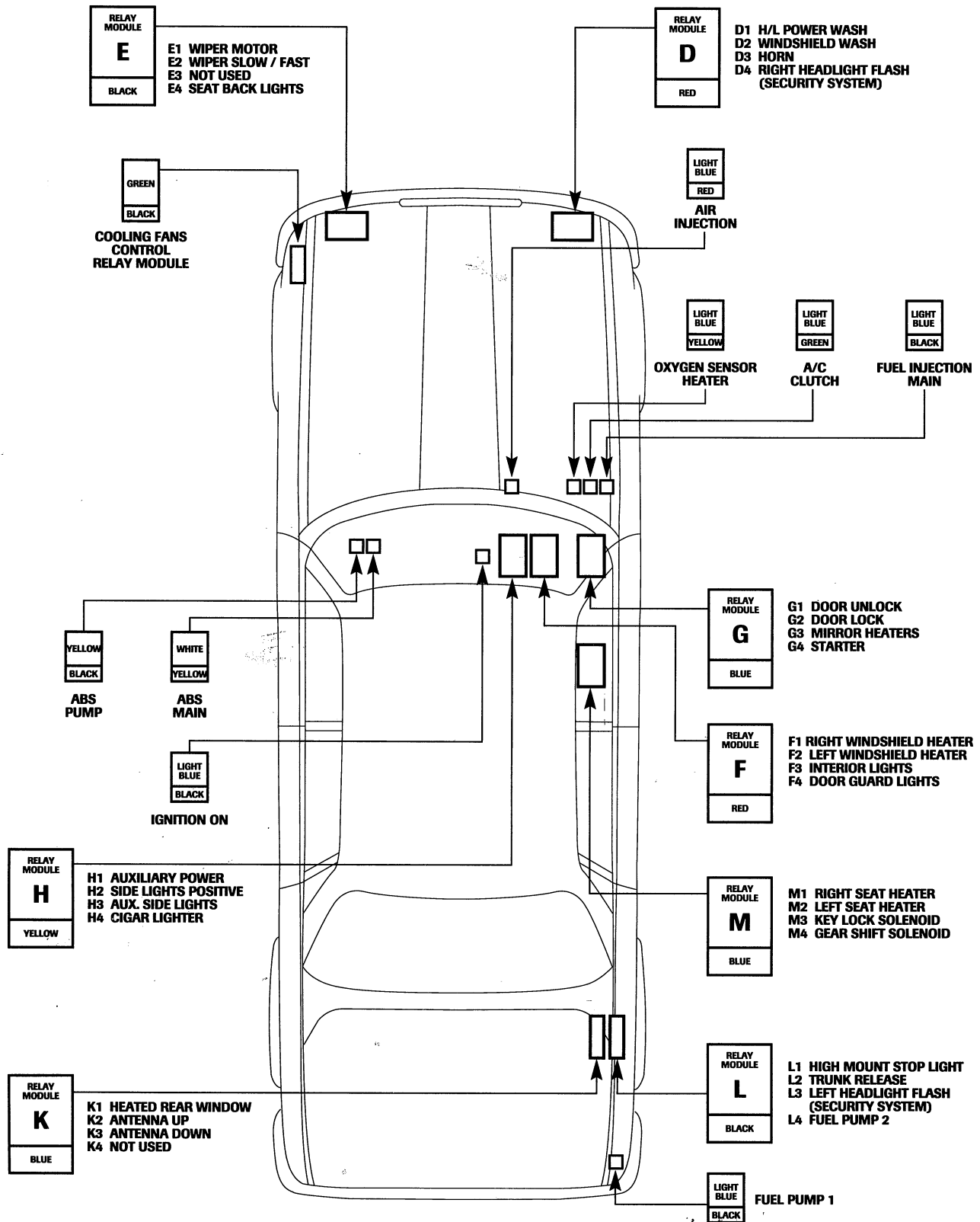
**PM 5**

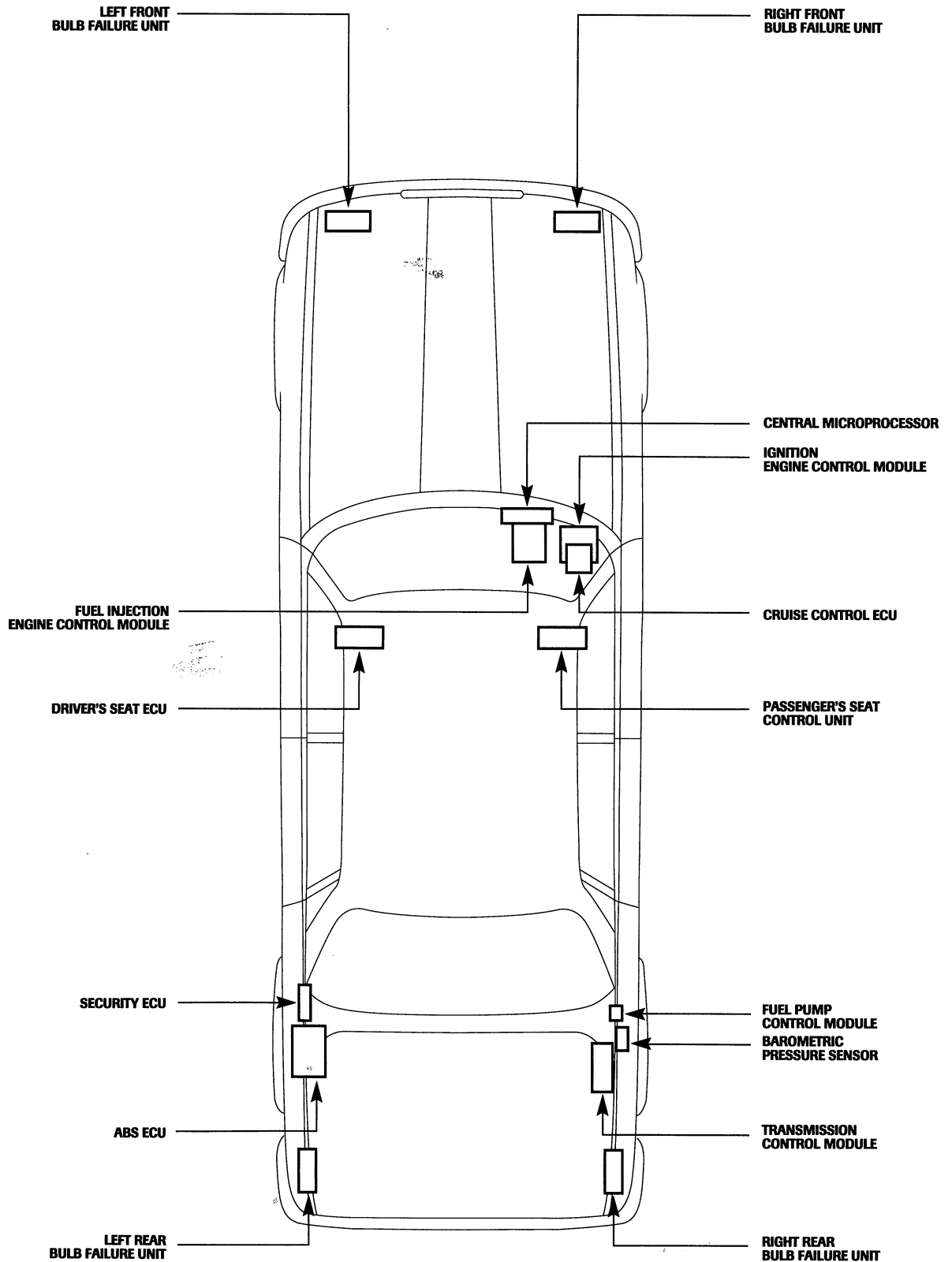


**ECONOSEAL III LC**



# Relay Identification and Location





**Left fuse panel**

Number	Color	Value	Circuit(s)
A1	Red	10A	Driver's seat ECM and memory Mirror heaters Dimmer
A2	Lt. Green	30A	Cooling fans
A3	Violet	3A	Not used
A4	White	25A	Driver's seat power
A5	Violet	3A	Lighting logic Ignition on relay Passenger's seat control Radio memory Transmission control module memory Center console, LCD lock
A6	Red	10A	Purge control valve Air injection pump Breather heater Data link power
A7	Lt. Green	30A	Cooling fans relay module
A8	Yellow	20A	Windshield wiper motor
A9	Violet	3A	Not used
B1	Lt. Green	30A	Left rear window lift Driver's window lift
B2	Yellow	20A	Sun roof
B3	Violet	3A	Not used
B4	Yellow	20A	Left blower
B5	Red	10A	Instrument pack
B6	Red	10A	Security ECM
B7	Violet	3A	Not used
B8	Lt. Blue	15A	Left rear lights: fog light, reverse light, turn signal, stop light
B9	Lt. Green	30A	ABS power
C1	Yellow	20A	Engine management system (Fuel Injection) power
C2	Red	10A	Interior lights Cigar lighter illumination, hood lights
C3	Red	10A	CPU power
C4	Red	10A	Gear shift interlock
C5	White	25A	Left windshield heater
C6	Lt. Green	30A	ABS pump
C7	Red	10A	Left front side marker, turn signal, side light Left rear tail, license, side marker lights
C8	Lt. Blue	15A	Left headlight high beam
C9	Lt. Blue	15A	Left headlight low beam, left front fog light

**Right fuse panel**

Number	Color	Value	Circuit(s)
A1	Red	10A	Driver's lumbar pump Passenger's lumbar pump Air conditioning clutch
A2	Red	10A	Transmission control power
A3	Violet	3A	Not used
A4	White	25A	Passenger's seat power
A5	Lt. Blue	15A	Central locking
A6	White	25A	Trailer Telephone

## Right fuse panel (continued)

Number	Color	Value	Circuit(s)
A7	White	25A	Heated rear window
A8	Red	10A	Trunk release Antenna
A9	Violet	3A	Not used
B1	Lt. Green	30A	Right rear window lift Passenger's window lift
B2	Lt. Blue	15A	Auxiliary power
B3	Violet	3A	Not used
B4	Yellow	20A	Right blower
B5	Red	10A	Engine management system-Fuel Injection ECM memory
B6	Lt. Blue	15A	Horns
B7	Red	10A	Windshield washer pump
B8	Lt. Blue	15A	Right rear lights: fog light, reverse light, turn signal, stop light
B9	Lt. Green	30A	Headlight washer pump
C1	Yellow	20A	Cigar lighters
C2	White	25A	Passenger's seat heater Driver's seat heater
C3	White	25A	Starter relay
C4	Red	10A	Oxygen sensor heater, fuel pump relay
C5	White	25A	Right windshield heater
C6	White	25A	Fuel pump
C7	Red	10A	Right front side marker, turn signal, side light Headlight flash (security system) Right rear tail, license, side marker lights
C8	Lt. Blue	15A	Right headlight low beam
C9	Lt. Blue	15A	Right headlight low beam, left front fog light

## Center fuse panel

Number	Color	Value	Circuit(s)
1	Violet	3A	Generator (regulator) Right front bulb failure module (relays): right headlight low beam, fog light Left rear bulb failure module (relays): fog light, reverse light
2	Violet	3A	Passenger's seat heater relay Wiper fast / slow relay Driver's seat heater relay CPU ignition-on input Lighting logic unit
3	Tan	5A	Left front bulb failure module (relays): left headlight low beam, fog light Right rear bulb failure module (relays): fog light, reverse light, high mount stop light
4	Violet	3A	Not used
5	Violet	3A	Cruise control
6	Tan	5A	Cigar lighter relay Starter relay Transmission mode switch illumination
7	Violet	3A	Heated washer jets sensor Motorized aspirator
8	Violet	3A	ABS ECM, ABS main relay
9	Violet	3A	Instrument pack
10	Tan	5A	Not used

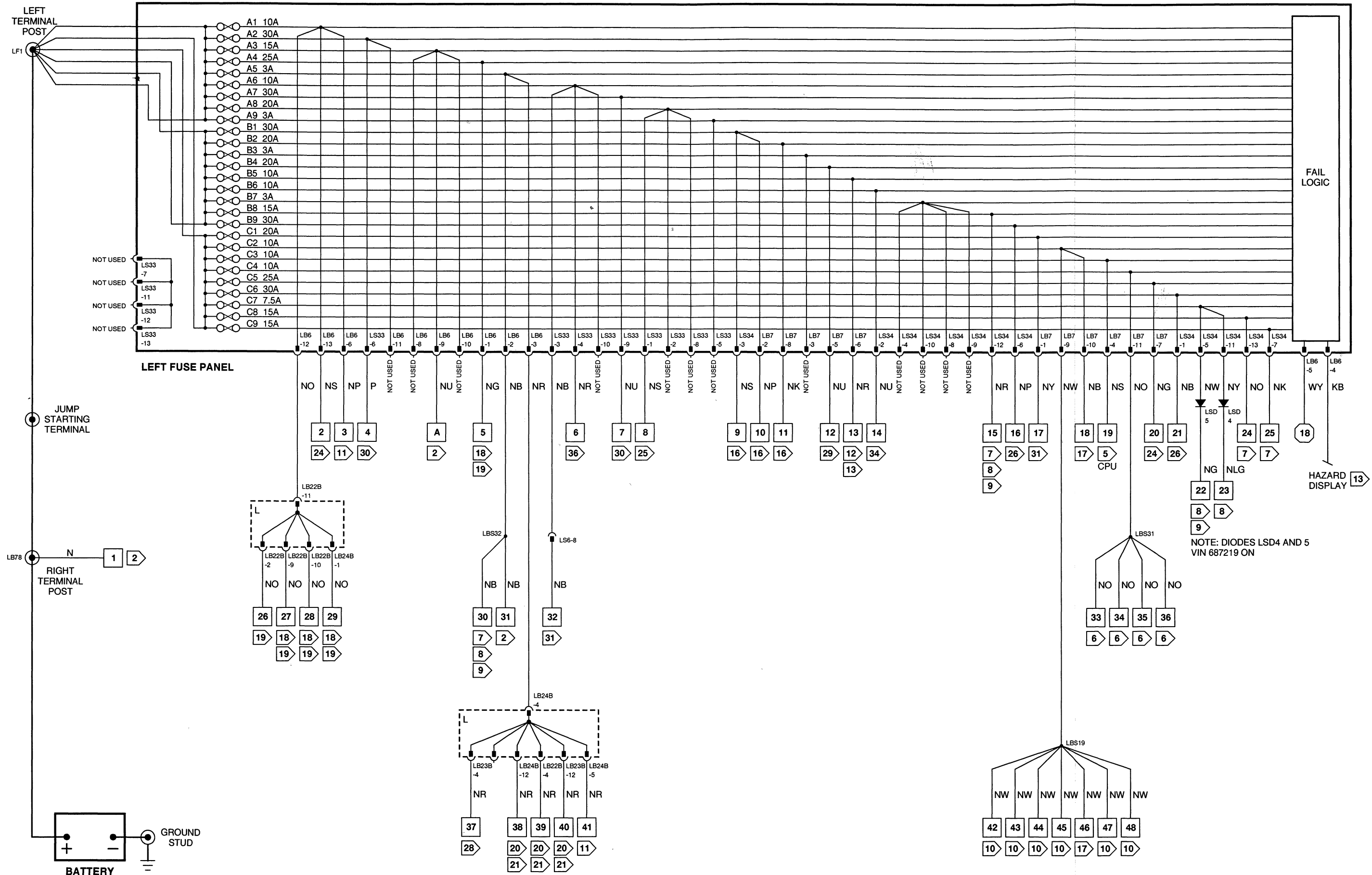
# FIG 1 LEFT DATA

## COMPONENTS

DESCRIPTION	LOCATION	ACCESS
BATTERY	TRUNK, RIGHT	BATTERY TRIM COVER
DIODE — LSD4	LEFT SILL PANEL, 36" FROM FUSE BOX	SILL PANEL CARPET
DIODE — LSD5	LEFT SILL PANEL, 36" FROM FUSE BOX	SILL PANEL CARPET
FUSE PANEL — LEFT	LEFT 'A' POST	FUSE BOX TRIM COVER

## CONNECTORS

CODE	DESCRIPTION	LOCATION / INTERFACE
LB6	13-WAY AMP MK4 (BROWN)	LEFT 'A' POST / LEFT FUSE PANEL
LB7	13-WAY AMP MK4 (WHITE)	LEFT 'A' POST / LEFT FUSE PANEL
LB22B	16-WAY MULTILOCK 40 (BLACK)	LEFT BLOWER MOTOR HOUSING BRACKET / LEFT SPLICE BOX
LB23B	16-WAY MULTILOCK 40 (BLUE)	LEFT BLOWER MOTOR HOUSING BRACKET / LEFT SPLICE BOX
LB24B	16-WAY MULTILOCK 40 (GREEN)	LEFT BLOWER MOTOR HOUSING BRACKET / LEFT SPLICE BOX
LB78	WHITE EYELET	RIGHT OF A/C UNIT, BEHIND FASCIA / RIGHT BATTERY TERMINAL EYELET
LF1	WHITE EYELET	LEFT FUSE PANEL ON 'A' POST / LEFT BATTERY TERMINAL EYELET
LS6	13-WAY ECONOSEAL III LC (BLACK)	RIGHT BULKHEAD ADJACENT TO ABS PUMP / RIGHT SIDE HARNESS
LS33	13-WAY AMP MK4 (SLATE)	LEFT 'A' POST / LEFT FUSE PANEL
LS34	13-WAY AMP MK4 (BLACK)	LEFT 'A' POST / LEFT FUSE PANEL



BATTERY POWER (FIG 1)  
  IGNITION POWER (FIG 2)  
  IGNITION SWITCHED GROUND (FIG 3)  
  LOGIC GROUND (FIG 4)  
  CPU INPUTS / OUTPUTS (FIG 5)  
  FIG NUMBER REFERENCE

# FIG 1 RIGHT DATA

## COMPONENTS

### DESCRIPTION

BATTERY  
DIODE — LSD6  
FUSE PANEL — RIGHT

### LOCATION

TRUNK, RIGHT  
RIGHT SILL PANEL, 36" FROM FUSEBOX  
RIGHT 'A' POST

### ACCESS

BATTERY TRIM COVER  
SILL PANEL CARPET  
FUSE BOX TRIM COVER

---

## CONNECTORS

### CODE

LB77  
LB89  
RF1  
RS28  
RS90

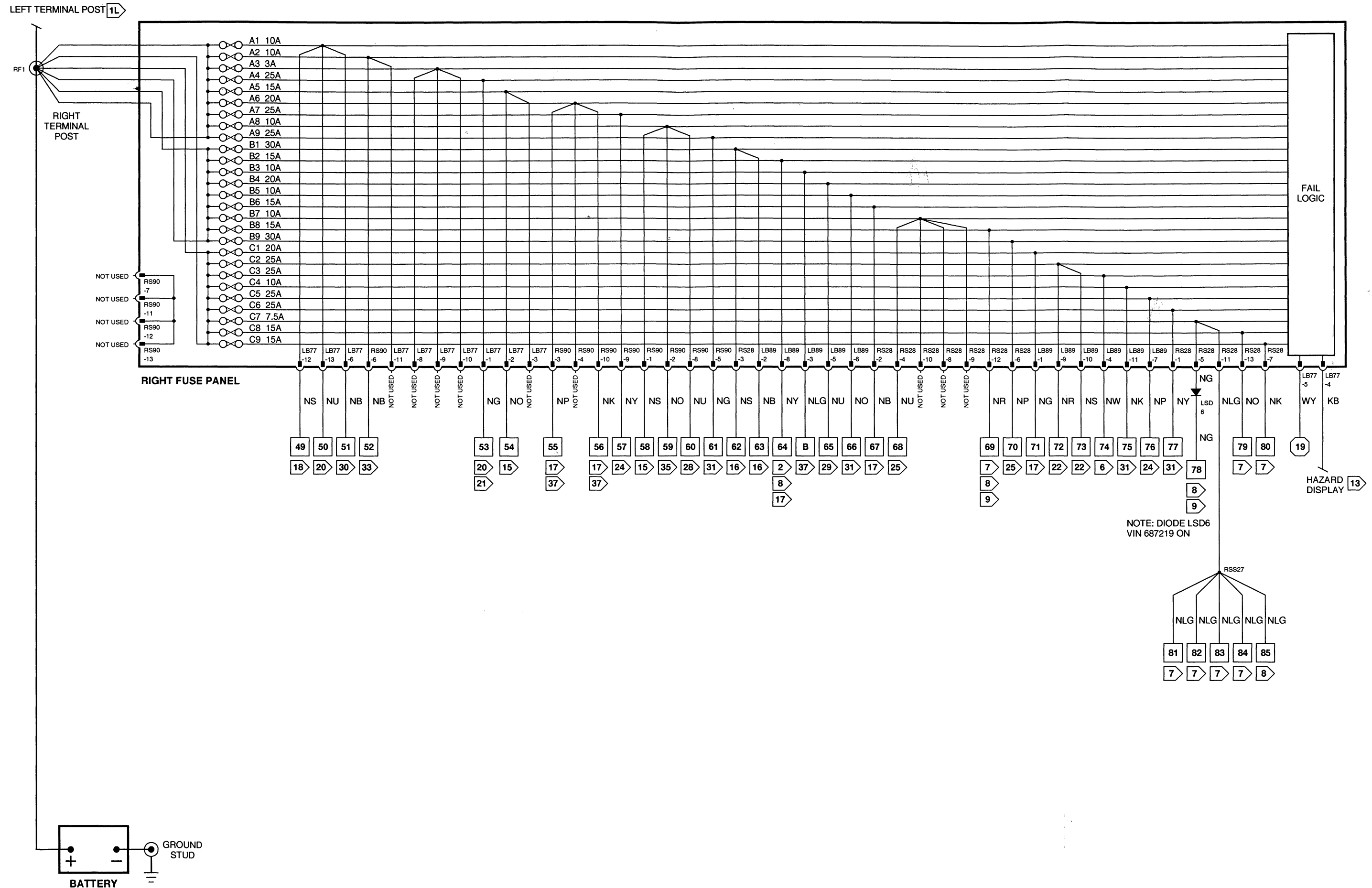
### DESCRIPTION

13-WAY AMP MK4 (BROWN)  
13-WAY AMP MK4 (WHITE)  
WHITE EYELET  
13-WAY AMP MK4 (BLACK)  
13-WAY AMP MK4 (SLATE)

### LOCATION / INTERFACE

RIGHT 'A' POST / RIGHT FUSE PANEL  
RIGHT 'A' POST / RIGHT FUSE PANEL  
RIGHT 'A' POST BEHIND FUSE PANEL / BATTERY TERMINAL COVER  
RIGHT 'A' POST / RIGHT FUSE PANEL  
RIGHT 'A' POST / RIGHT FUEL PANEL





# FIG 2 DATA

## COMPONENTS

### DESCRIPTION

DIODE — LBD2  
DIODE — RSD1  
FUSE PANEL — CENTER  
RELAY MODULE H  
(H1 — AUXILIARY POWER RELAY)  
RELAY — IGNITION ON (LB4)  
TRANSIT ISOLATION DEVICE

### LOCATION

EXPOSED IN BULK. HARNESS, CENTER CONSOLE AREA  
EXPOSED IN RIGHT SIDE FRONT HARNESS  
CENTER CONSOLE  
RIGHT DASH UNDER PANEL  
  
BEHIND RADIO  
BATTERY

### ACCESS

BELOW RADIO  
BEHIND RIGHT HEADLIGHT  
INSIDE GLOVE BOX  
RIGHT DASH UNDER PANEL  
  
REMOVE RADIO  
BATTERY COVER

## CONNECTORS

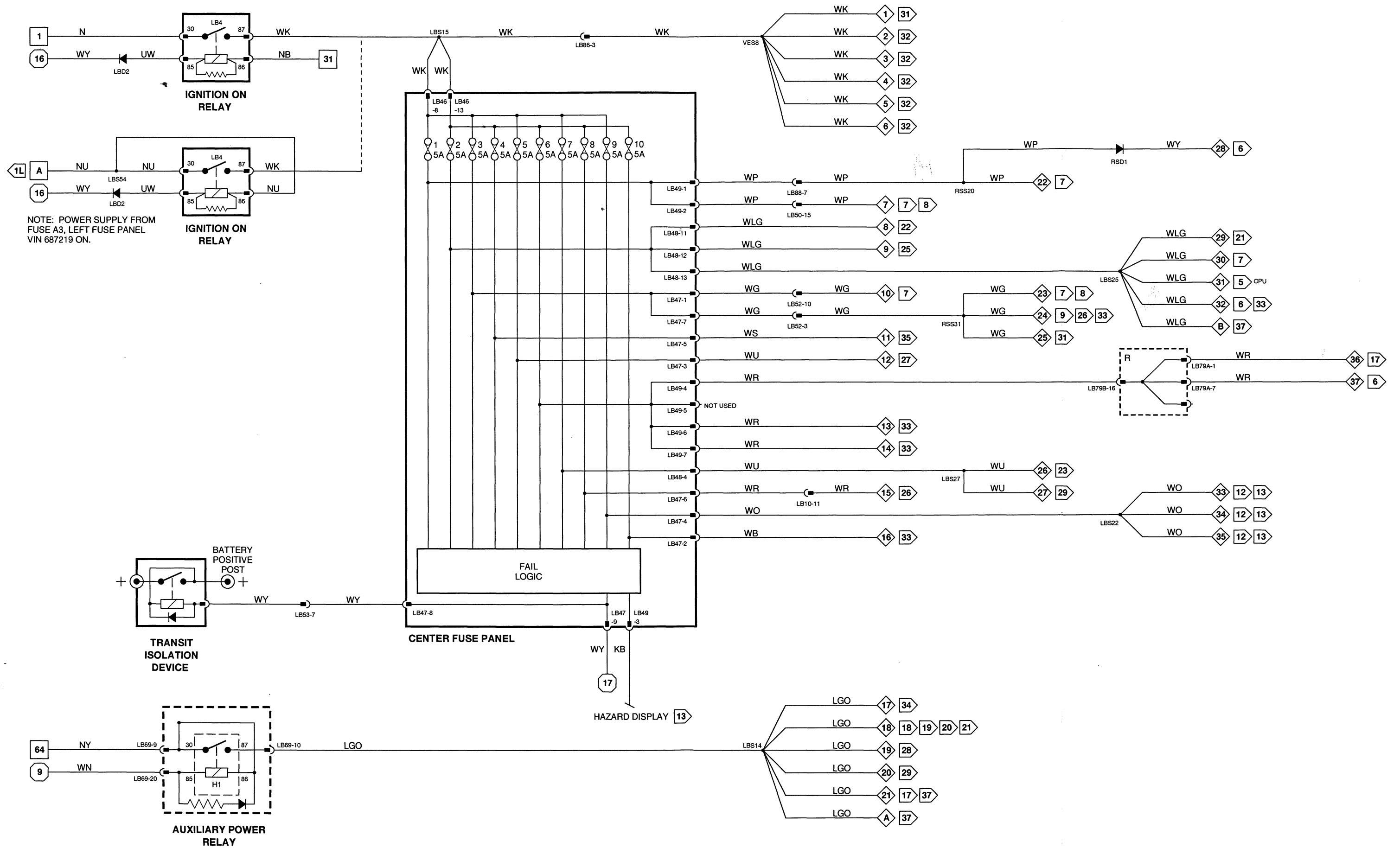
### CODE

### DESCRIPTION

LB4 RELAY BASE (BLACK)  
LB10 20-WAY MULTILOCK 40 (BLACK)  
LB46 13-WAY AMP MK4 (BLACK)  
LB47 13-WAY AMP MK4 (WHITE)  
LB48 13-WAY AMP MK4 (BROWN)  
LB49 13-WAY AMP MK4 (SLATE)  
LB50 20-WAY MULTILOCK 40 (BLACK)  
LB52 12-WAY MULTILOCK 70 (BLACK)  
LB53 12-WAY MULTILOCK 70 (WHITE)  
LB69 20-WAY AMP PCB POWER (YELLOW)  
LB79A 12-WAY MULTILOCK 40 (BLACK)  
LB79B 16-WAY MULTILOCK 40 (BLACK)  
LB80A 12-WAY MULTILOCK 40 (GREEN)  
LB86 4-WAY ECONOSEAL III HC (BLACK)  
LB88 20-WAY MULTILOCK 40 (BLACK)

### LOCATION / INTERFACE

BEHIND RADIO ON RIGHT BRACKET / IGNITION ON RELAY  
REAR FACE OF LEFT BLOWER, UNDER FASCIA / BULKHEAD TO LF HARNESS  
CENTER CONSOLE, BELOW FUSE PANEL / CENTER FUSE PANEL  
CENTER CONSOLE, BELOW FUSE PANEL / CENTER FUSE PANEL  
CENTER CONSOLE, BELOW FUSE PANEL / CENTER FUSE PANEL  
CENTER CONSOLE, BELOW FUSE PANEL / CENTER FUSE PANEL  
BENEATH LEFT REAR SEAT BOX SECTION / REAR HARNESS  
BENEATH RIGHT REAR SEAT BOX SECTION / REAR HARNESS  
BENEATH RIGHT REAR SEAT BOX SECTION / BULKHEAD TO REAR HARNESS  
RELAY MOUNTING BRACKET BELOW GLOVE BOX / RELAY MODULE H  
RIGHT BLOWER MOTOR, ABOVE VACUUM VALVE / RIGHT SPLICE BOX  
RIGHT BLOWER MOTOR, ABOVE VACUUM VALVE / RIGHT SPLICE BOX  
RIGHT BLOWER MOTOR, ABOVE VACUUM VALVE / RIGHT SPLICE BOX  
RIGHT DASH UNDER PANEL / BULKHEAD HARNESS  
REAR FACE OF RIGHT BLOWER, UNDER FASCIA / BULKHEAD TO RF HARNESS



NOTE: POWER SUPPLY FROM FUSE A3, LEFT FUSE PANEL VIN 687219 ON.

BATTERY POWER (FIG 1)
  IGNITION POWER (FIG 2)
  IGNITION SWITCHED GROUND (FIG 3)
  LOGIC GROUND (FIG 4)
  CPU INPUTS / OUTPUTS (FIG 5)
  FIG NUMBER REFERENCE

# FIG 3 DATA

## COMPONENTS

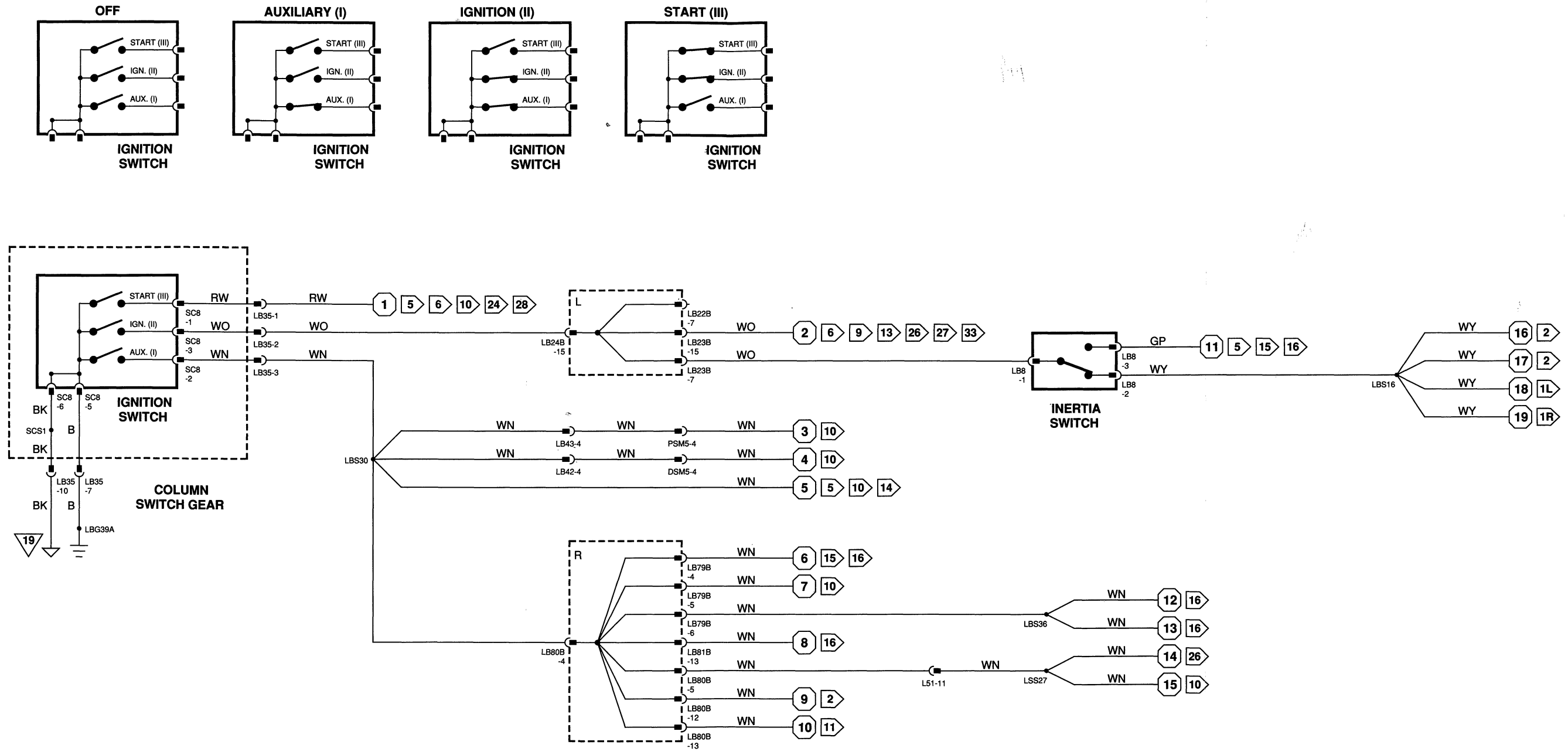
DESCRIPTION	LOCATION	ACCESS
COLUMN SWITCH GEAR (IGNITION SWITCH)	STEERING COLUMN	LEFT DASH UNDER PANEL
INERTIA SWITCH	STEERING COLUMN COWL, RIGHT DRIVER'S FOOTWELL	STEERING COLUMN LOWER COWL ABOVE DEAD PEDAL

## CONNECTORS

CODE	DESCRIPTION	LOCATION / INTERFACE
DSM5	18-WAY MULTILOCK 70 (WHITE)	BENEATH DRIVER'S SEAT CUSHION / DRIVER'S SEAT HARNESS
LB8	3-WAY LABINAL (SLATE)	LOW ON LEFT 'A' POST / INERTIA SWITCH
LB22B	16-WAY MULTILOCK 40 (BLACK)	LEFT BLOWER MOTOR HOUSING BRACKET / LEFT SPLICE BOX
LB23B	16-WAY MULTILOCK 40 (BLUE)	LEFT BLOWER MOTOR HOUSING BRACKET / LEFT SPLICE BOX
LB24B	16-WAY MULTILOCK 40 (GREEN)	LEFT BLOWER MOTOR HOUSING BRACKET / LEFT SPLICE BOX
LB35	12-WAY MULTILOCK 40 (BLACK)	LOWER RIGHT OF STEERING COLUMN / STEERING COLUMN SWITCH GEAR
LB42	10-WAY MULTILOCK 70 (WHITE)	FRONT OF DRIVER'S SEAT BY SEAT AND MIRRORS ECM / BULKHEAD TO SEAT HARNESS
LB43	10-WAY MULTILOCK 70 (WHITE)	FRONT OF PASSENGER'S SEAT BY SEAT CONTROL UNIT / BULKHEAD TO SEAT HARNESS
LB79B	16-WAY MULTILOCK 40 (BLACK)	RIGHT BLOWER MOTOR, ABOVE VACUUM VALVE / RIGHT SPLICE BOX
LB80B	16-WAY MULTILOCK 40 (GREEN)	RIGHT BLOWER MOTOR, ABOVE VACUUM VALVE / RIGHT SPLICE BOX
LB81B	16-WAY MULTILOCK 40 (BLUE)	RIGHT BLOWER MOTOR, ABOVE VACUUM VALVE / RIGHT SPLICE BOX
LS1	SUMITOMO A (WHITE)	ABOVE LEFT HEADLIGHT INSIDE HOOD / LEFT HOOD HARNESS
PSM5	18-WAY MULTILOCK 70 (WHITE)	BENEATH PASSENGER'S SEAT CUSHION / PASSENGER'S SEAT HARNESS
SC8	6-WAY FMHD (PURPLE)	STEERING COLUMN SWITCH GEAR, RIGHT / KEY IN SWITCH

## GROUND

CODE	DESCRIPTION	LOCATION / INTERFACE
LBG39A	WHITE EYELET	CENTER CONSOLE GROUND STUD BEHIND 'J' GATE / GROUND



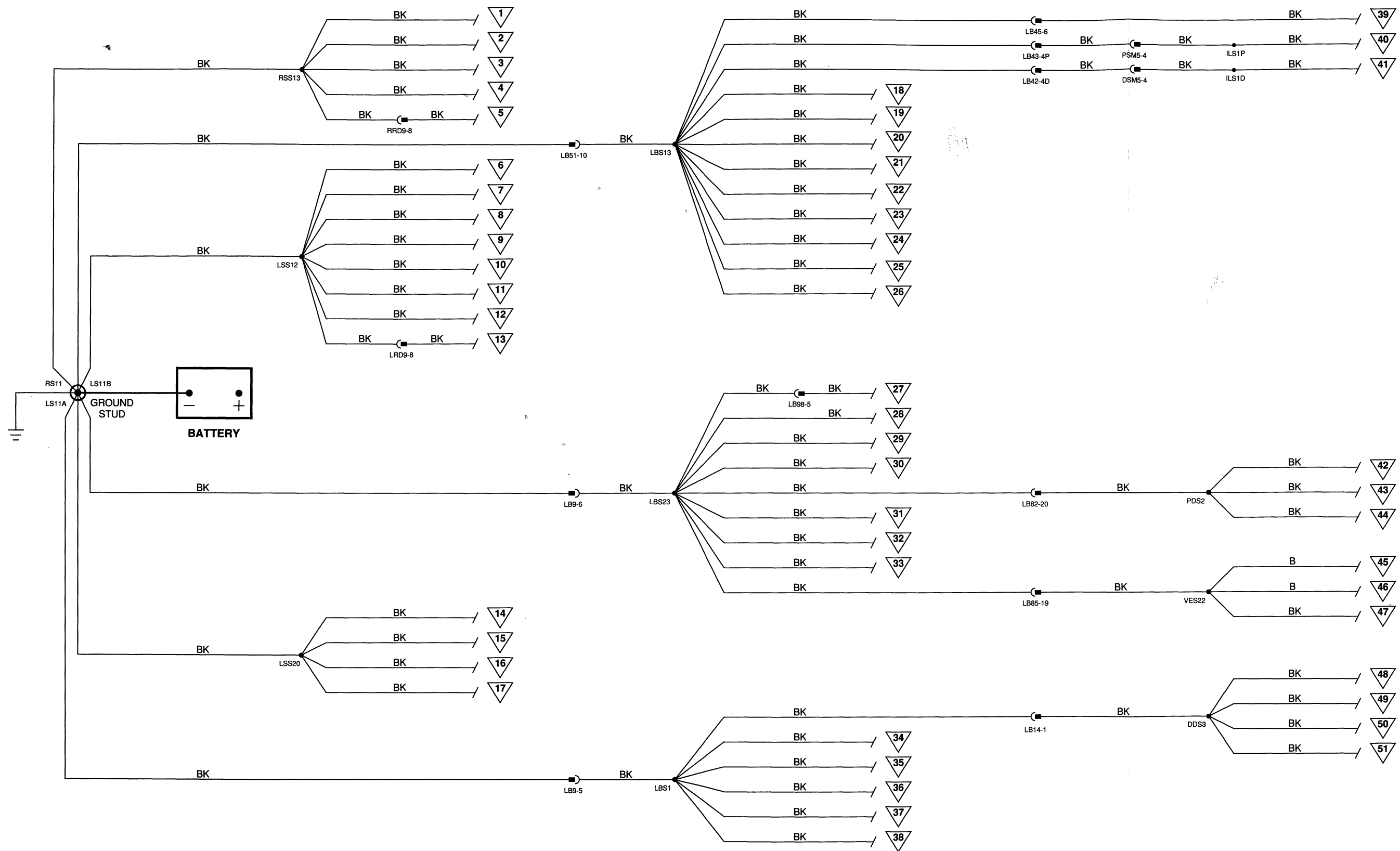
# FIG 4 DATA

## COMPONENTS

DESCRIPTION	LOCATION	ACCESS
BATTERY	TRUNK, RIGHT	BATTERY TRIM COVER

## CONNECTORS

CODE	DESCRIPTION	LOCATION / INTERFACE
DSM5	18-WAY MULTILOCK 70 (WHITE)	BENEATH DRIVER'S SEAT CUSHION / DRIVER'S SEAT HARNESS
LB9	12-WAY MULTILOCK 70 (WHITE)	LEFT 'A' POST, ABOVE FUSE PANEL / BULKHEAD HARNESS
LB14	20-WAY MULTILOCK 40 (GREEN)	LEFT 'A' POST BOX SECTION / BULKHEAD HARNESS
LB42	10-WAY MULTILOCK 70 (WHITE)	FRONT OF DRIVER'S SEAT BY SEAT AND MIRRORS ECM / BULKHEAD TO SEAT HARNESS
LB43	10-WAY MULTILOCK 70 (WHITE)	FRONT OF PASSENGER'S SEAT BY SEAT CONTROL UNIT / BULKHEAD TO SEAT HARNESS
LB45	6-WAY MULTILOCK 70 (WHITE)	CENTER CONSOLE, BELOW ASHTRAY / SECURITY SYSTEM VALET SWITCH
LB51	12-WAY MULTILOCK 70 (WHITE)	BENEATH LEFT REAR SEAT BOX SECTION / REAR HARNESS
LB82	20-WAY MULTILOCK 40 (BLACK)	RIGHT 'A' POST BOX SECTION / BULKHEAD HARNESS
LB85	20-WAY MULTILOCK 70 (WHITE)	RIGHT DASH UNDER PANEL BY 'A' POST / BULKHEAD HARNESS
LB98	12-WAY MULTILOCK 40 (BLUE)	ADJACENT TO A/C ECM, RIGHT / BULKHEAD HARNESS
LRD9	12-WAY MULTILOCK 40 (BLACK)	LEFT 'B/C' POST / LEFT SIDE HARNESS
LS11A	WHITE EYELET	TRUNK, RIGHT, BEHIND BATTERY / BATTERY GROUND STUD
LS11B	WHITE EYELET	TRUNK, RIGHT, BEHIND BATTERY / LOGIC GROUND EYELET
PSM5	18-WAY MULTILOCK 70 (WHITE)	BENEATH PASSENGER'S SEAT CUSHION / PASSENGER'S SEAT HARNESS
RRD9	12-WAY MULTILOCK 40 (BLACK)	RIGHT 'B/C' POST / RIGHT SIDE HARNESS
RS11	WHITE EYELET	TRUNK, RIGHT, BEHIND BATTERY / LOGIC GROUND EYELET



# FIG 5 DATA

## INPUTS / OUTPUTS (CONTINUED)

### CENTRAL MICROPROCESSOR

#### OUTPUTS (CONTINUED)

CODE	CIRCUIT	ACTIVE	INACTIVE
32	LB60-16	REAR WINDOW HEATER	WINDOW HEATER ON: GROUND
33	LB60-21	WINDSHIELD HEATER	WINDSHIELD HEATER ON: GROUND
34	LB60-9	WINDSHIELD HEATER — STATE (ON/OFF)	STATE LIGHT ON: GROUND
35	LB60-14	HEATED REAR WINDOW — STATE (ON/OFF)	STATE LIGHT ON: GROUND
36	LB60-47	STARTER RELAY	KEY TO POSITION III: GROUND
37	LB60-27	CLIMATE CONTROL MEMORY	5V
	LB59-3	SERIAL COMMUNICATIONS DATA LINK	JDS
	LB59-5	POWER GROUND	GROUND
	LB59-6	LOGIC GROUND	GROUND
	LB59-1	LOGIC GROUND	GROUND

## COMPONENTS

DESCRIPTION	LOCATION	ACCESS
CENTRAL MICROPROCESSOR	BEHIND GLOVE BOX	RIGHT DASH UNDER PANEL

## CONNECTORS

CODE	DESCRIPTION	LOCATION / INTERFACE
LB59	6-WAY AMP PCB POWER (BLACK)	BEHIND GLOVE BOX ON CPU / CENTRAL MICROPROCESSOR
LB60	48-WAY AMP PCB SIGNAL (YELLOW)	BEHIND GLOVE BOX ON CPU / CENTRAL MICROPROCESSOR
LB61	48-WAY AMP PCB SIGNAL (BLACK)	BEHIND GLOVE BOX ON CPU / CENTRAL MICROPROCESSOR

## GROUNDINGS

CODE	DESCRIPTION	LOCATION / INTERFACE
LBG39C	WHITE EYELET	CENTER CONSOLE GROUND STUD BEHIND 'J' GATE / GROUND

## INPUTS / OUTPUTS

### CENTRAL MICROPROCESSOR

#### INPUTS

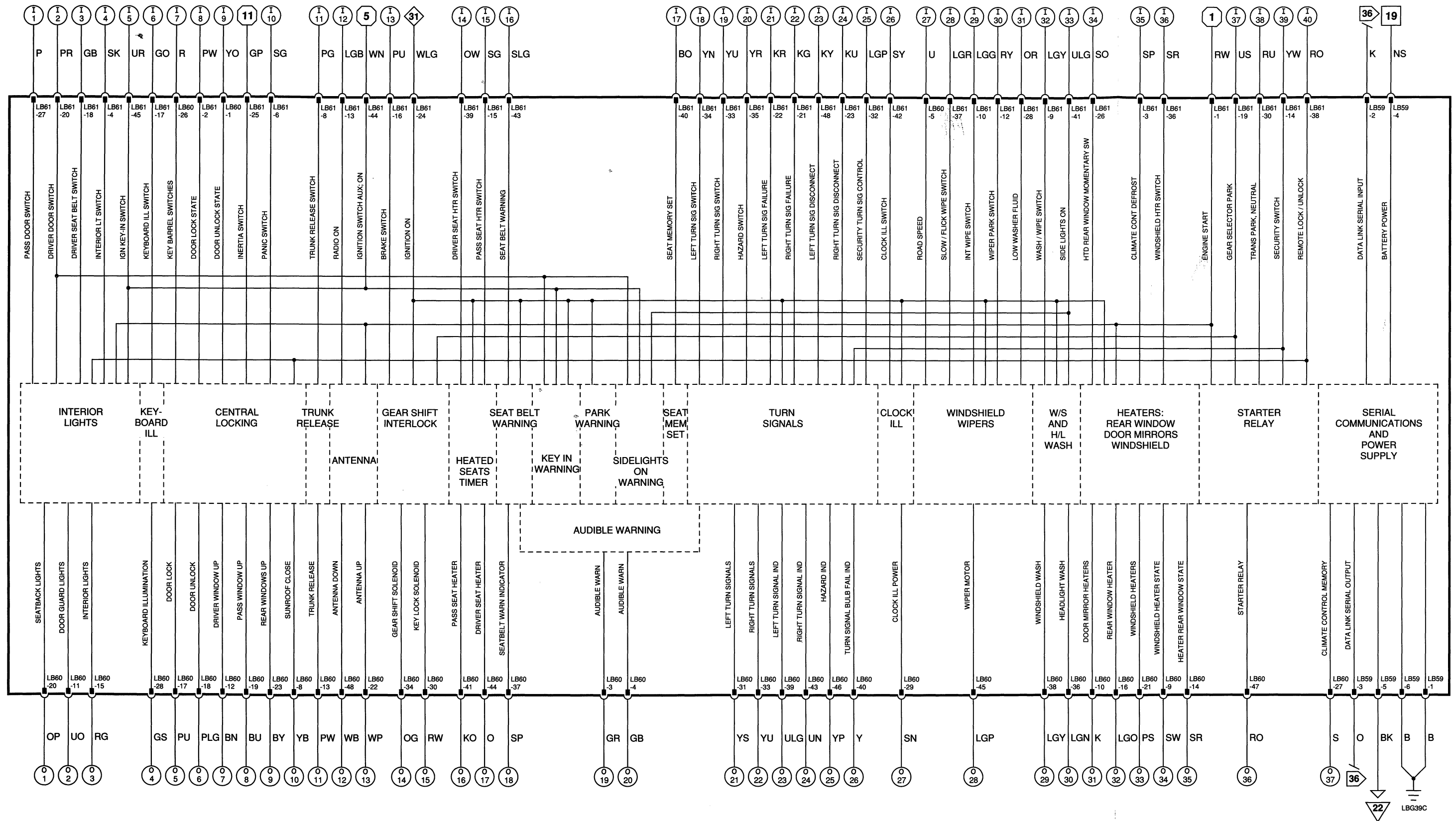
CODE	CIRCUIT	ACTIVE	INACTIVE
1	LB61-27	PASSENGER'S DOOR SWITCH	DOOR OPEN: GROUND
2	LB61-20	DRIVER'S DOOR SWITCH	DOOR OPEN: GROUND
3	LB61-18	DRIVER'S SEAT BELT SWITCH	BELT UNLATCHED: 12V MV
4	LB61-4	INTERIOR LIGHT SWITCH PAD #2	LIGHTS ON: GROUND
5	LB61-45	IGNITION KEY IN SWITCH	KEY IN: GROUND
6	LB61-17	TRIP COMPUTER KEYBOARD ILLUMINATION	SWITCH HELD IN: GROUND
7	LB60-26	DOOR KEY BARREL SWITCHES	KEY TO LOCK POSITION: GROUND
8	LB61-2	DOOR LOCK STATE	DOORS LOCKED: GROUND
9	LB60-1	DOOR UNLOCK STATE	DOORS UNLOCKED: GROUND
	LB61-25	INERTIA SWITCH (KEY ON)	SWITCH UP: GROUND
10	LB61-6	PANIC (ALL LOCK/CLOSED SWITCH)(KEY ON)	SWITCH PRESSED: GROUND
11	LB61-8	TRUNK RELEASE SWITCH	SWITCH PRESSED: GROUND
12	LB61-13	RADIO ON INPUT (KEY ON)	RADIO ON: 12V
	LB61-44	IGNITION SWITCH, AUX. ON	
13	LB61-16	BRAKE SWITCH (KEY ON)	BRAKE PEDAL PRESSED: GROUND
	LB61-24	IGNITION SWITCHED POWER	KEY ON: 12V
14	LB61-39	DRIVER'S SEAT HEATER SWITCH	SWITCH PRESSED: GROUND
15	LB61-15	PASSENGER'S SEAT HEATER SWITCH	SWITCH PRESSED: GROUND
16	LB61-43	SEAT BELT WARNING	SEAT BELT UNLATCHED: GROUND
17	LB61-40	SEAT MEMORY AUDIBLE TONE	MEMORY POS. 1 OR 2: GROUNDS TO TONE
18	LB61-34	LEFT TURN SIGNAL SWITCH	LEFT TURN: GROUND
19	LB61-33	RIGHT TURN SIGNAL SWITCH	RIGHT TURN: GROUND
20	LB61-35	HAZARD SWITCH	HAZARDS ON: GROUND
21	LB61-22	LEFT TURN SIGNAL FAILURE	FAILED BULB: GROUND
22	LB61-21	RIGHT TURN SIGNAL FAILURE	FAILED BULB: GROUND
23	LB61-48	LEFT TURN SIGNAL DISCONNECT	DISCONNECTED MODULE: OPEN CIRCUIT
24	LB61-23	RIGHT TURN SIGNAL DISCONNECT	DISCONNECTED MODULE: OPEN CIRCUIT
25	LB61-32	SECURITY SYSTEM TURN SIGNAL FLASH	PULSED SIGNAL TO FLASH
26	LB61-42	CLOCK ILLUMINATION SWITCH	SWITCH PRESSED: GROUND
27	LB60-5	ROAD SPEED INPUT	O MPH: 5 MV AC
28	LB61-37	SLOW FLICK WIPER SWITCH	SLOW OR FLICK: GROUND
29	LB61-10	INTERMITTENT WIPER SWITCH	INTERMITTENT: GROUND
30	LB61-12	WIPER PARK SWITCH	WIPER NOT PARKED: GROUND
31	LB61-28	LOW WASHER FLUID	LEVEL NORMAL: GROUND
32	LB61-9	WASH / WIPE SWITCH	BUTTON PRESSED: GROUND
33	LB61-41	SIDE LIGHTS ON WARNING	LIGHTS ON: GROUND
34	LB61-26	HEATED REAR WINDOW MOMENTARY SWITCH	SWITCH PRESSED: GROUND
35	LB61-3	CLIMATE CONTROL DEFROST	DEFROST PRESSED: GROUND
36	LB61-36	FRONT WINDSHIELD HEATER SWITCH	SWITCH PRESSED: GROUND
	LB61-1	ENGINE START INPUT	IGNITION CRANK POSITION: GROUND
37	LB61-19	GEAR SELECTOR — PARK	R, N, D, 3, 2: GROUND
38	LB61-30	TRANSMISSION — PARK / NEUTRAL	P, N: GROUND
39	LB61-14	SECURITY VALET SWITCH	SWITCH TO OFF: GROUND
40	LB61-38	REMOTE LOCK / UNLOCK	TO UNLOCK: PULSE TO GROUND
	LB59-2	SERIAL COMMUNICATIONS DATA LINK OUTPUT	JDS
	LB59-4	BATTERY POWER	12V

#### OUTPUTS

CODE	CIRCUIT	ACTIVE	INACTIVE
1	LB60-20	SEAT BACK LIGHTS	LIGHTS ON: GROUND
2	LB60-11	DOOR GUARD PUDDLE LIGHTS	LIGHTS ON: GROUND
3	LB60-15	INTERIOR LIGHTING	LIGHTS ON: GROUND
4	LB60-28	TRIP COMPUTER KEYBOARD ILLUMINATION	LIGHTS ON: GROUND
5	LB60-17	DOOR LOCK OUTPUT	TO LOCK: PULSE TO GROUND
6	LB60-18	DOOR UNLOCK OUTPUT	TO UNLOCK: PULSE TO GROUND
7	LB60-12	DRIVER'S WINDOW UP (KEY ON)	CLOSE: GROUND
8	LB60-19	PASSENGER'S WINDOW UP (KEY ON)	CLOSE: GROUND
9	LB60-23	REAR WINDOWS UP (KEY ON)	CLOSE: GROUND
10	LB60-8	SUN ROOF CLOSE (KEY ON)	CLOSE: GROUND
11	LB60-13	TRUNK RELEASE	SWITCH PRESSED: GROUND
12	LB60-48	ANTENNA DOWN	ANTENNA DOWN: GROUND
13	LB60-22	ANTENNA UP	ANTENNA UP: GROUND
14	LB60-34	GEAR SHIFT INTERLOCK SOLENOID (KEY ON)	BRAKE APPLIED: GROUND
15	LB60-30	KEY LOCK SOLENOID (KEY ON)	R, N, D, 3, 2: GROUND
16	LB60-41	PASSENGER'S SEAT HEATER DRIVE (KEY ON)	HEATER ON: GROUND
17	LB60-44	DRIVER'S SEAT HEATER DRIVE (KEY ON)	HEATER ON: GROUND
18	LB60-37	SEAT BELT WARNING INDICATOR (KEY ON)	5-SEC WARNING LIGHT ON: GROUND
19	LB60-3	AUDIBLE WARNINGS (KEY ON)	PULSES TO GROUND
20	LB60-4	AUDIBLE WARNINGS (KEY ON)	PULSES TO GROUND
21	LB60-31	LEFT TURN SIGNAL	LEFT TURN: PULSE TO GROUND
22	LB60-33	RIGHT TURN SIGNAL	RIGHT TURN: PULSE TO GROUND
23	LB60-39	LEFT TURN SIGNAL INDICATOR	LEFT TURN: PULSE TO GROUND
24	LB60-43	RIGHT TURN SIGNAL INDICATOR	RIGHT TURN: PULSE TO GROUND
25	LB60-46	HAZARD INDICATOR	HAZARD SWITCH ON: PULSE TO GROUND
26	LB60-40	TURN SIGNAL BULB FAIL INDICATOR	BULB FAIL: 12V
27	LB60-29	CLOCK ILLUMINATION POWER	12V
28	LB60-45	WIPER MOTOR	WIPER SWEEPING: GROUND
29	LB60-38	WINDSHIELD WASHER MOTOR	PUMP ON: GROUND
30	LB60-36	HEADLIGHT WASHER MOTOR	PUMP ON WITH HEADLIGHTS: GROUND
31	LB60-10	DOOR MIRROR HEATERS	MIRROR HEATERS ON: GROUND

CONTINUED AT LEFT ON FOLDOUT





BATTERY POWER (FIGS 1/L, 1/R)
  IGNITION POWER (FIG 2)
  IGNITION SWITCHED GROUND (FIG 3)
  LOGIC GROUND (FIG 4)
  CPU INPUTS / OUTPUTS (FIG 5)
  FIG NUMBER REFERENCE

# FIG 6 DATA

## COMPONENTS

DESCRIPTION	LOCATION	ACCESS
BATTERY	TRUNK, RIGHT	BATTERY TRIM COVER
BRAKE SWITCH	ABOVE BRAKE PEDAL	LEFT DASH UNDER PANEL
CENTRAL MICROPROCESSOR	BEHIND GLOVE BOX	RIGHT DASH UNDER PANEL
COLUMN SWITCH GEAR (IGNITION SWITCH)	STEERING COLUMN	LEFT DASH UNDER PANEL
GEAR SHIFT SOLENOID	STEERING COLUMN COWL, RIGHT	STEERING COLUMN LOWER COWL
GENERATOR	LEFT SIDE OF 'J' GATE	CENTER CONSOLE TRIM
KEY LOCK SOLENOID	LEFT FRONT OF ENGINE	ENGINE COMPARTMENT
LINEAR GEAR POSITION SWITCH	ABOVE IGNITION SWITCH	STEERING COLUMN COWL
PARK MICRO SWITCH	RIGHT SIDE OF 'J' GATE	CENTER CONSOLE SKI SLOPE
RELAY MODULE G (G4 — STARTER RELAY)	GEARSHIFT INTERLOCK MODULE	CENTER CONSOLE TRIM
RELAY MODULE M (M4 — GEAR SHIFT RELAY) (M3 — KEY LOCK RELAY)	RIGHT DASH UNDER PANEL	RIGHT DASH UNDER PANEL
STARTER	PASSENGER'S SEAT	FLOOR TRIM PANEL
SUPPRESSION MODULE	LEFT REAR OF ENGINE	ENGINE COMPARTMENT
	LEFT FRONT INNER FENDER	ENGINE COMPARTMENT

## CONNECTORS

CODE	DESCRIPTION	LOCATION / INTERFACE
AN1	WHITE EYELET	REAR OF GENERATOR / SUPPRESSION MODULE
AN2	WHITE EYELET	REAR OF GENERATOR / SUPPRESSION MODULE
AN3	3-WAY ECONOSEAL III LC (RED)	BELOW AIR FILTER / SUPPRESSION MODULE HARNESS
FE29	2-WAY ECONOSEAL III HC (BLACK)	BY #6 INJECTOR / STARTER RELAY TO STARTER SOLENOID
FE48	4-WAY ECONOSEAL III LC (BLACK)	BELOW RF BULB FAIL MODULE / ENGINE HARNESS
FE49	3-WAY NIPPON DENSO (BLACK)	REAR OF GENERATOR / CHARGE INDICATOR TO INSTRUMENT PACK
GB7	12-WAY MULTILOCK 40 (BLACK)	LEFT OF CENTER FUSE PANEL, BELOW ASHTRAY / TRANSMISSION HARNESS
LB5	2-WAY MULTILOCK 40 (BLACK)	FRONT OF GEAR SHIFT LEVER / PARK MICRO-SWITCH
LB29	4-WAY MULTILOCK 70 (WHITE)	LOWER STEERING COLUMN, ABOVE BRAKE PEDAL / BRAKE/CRUISE SWITCH
LB35	12-WAY MULTILOCK 40 (BLACK)	LOWER RIGHT OF STEERING COLUMN / STEERING COLUMN SWITCH GEAR
LB55	20-WAY MULTILOCK 40 (BLACK)	CENTER CONSOLE, FRONT OF GEAR SHIFT / BULKHEAD HARNESS
LB60	48-WAY AMP PCB SIGNAL (YELLOW)	BEHIND GLOVE BOX ON CPU / CENTRAL MICROPROCESSOR
LB61	48-WAY AMP PCB SIGNAL (BLACK)	BEHIND GLOVE BOX ON CPU / CENTRAL MICROPROCESSOR
LB70	20-WAY AMP PCB POWER (BLUE)	RELAY MOUNTING BRACKET BELOW GLOVE BOX / RELAY MODULE G
LB79A	12-WAY MULTILOCK 40 (BLACK)	RIGHT BLOWER MOTOR, ABOVE VACUUM VALVE / RIGHT SPLICE BOX
LB80A	12-WAY MULTILOCK 40 (GREEN)	RIGHT BLOWER MOTOR, ABOVE VACUUM VALVE / RIGHT SPLICE BOX
LB86	4-WAY ECONOSEAL III HC (BLACK)	RIGHT DASH UNDER PANEL / BULKHEAD HARNESS
LB87	20-WAY MULTILOCK 40 (GREEN)	REAR FACE OF RIGHT BLOWER, UNDER FASCIA / BULKHEAD TO RF HARNESS
LB101	20-WAY AMP PCB POWER (BLUE)	IN FRONT OF PASSENGER'S SEAT CONTROL UNIT / RELAY MODULE M
LB102	2-WAY MULTILOCK 70 (WHITE)	CENTER CONSOLE BY GEARSHIFT / GEAR SHIFT INTERLOCK SOLENOID
LB103	2-WAY MULTILOCK 40 (BLUE)	BELOW STEERING COLUMN / IGNITION KEY LOCK SOLENOID
RS89	3-WAY NIPPON DENSO (BLACK)	REAR OF V12 ALTERNATOR / ALTERNATOR
SC8	6-WAY PMHD (PURPLE)	STEERING COLUMN SWITCH GEAR, RIGHT / KEY IN SWITCH
ST1	WHITE EYELET	ENGINE, LEFT / STARTER SOLENOID
ST2	WHITE EYELET	STARTER SOLENOID / STARTER BATTERY SUPPLY
ST3	WHITE EYELET	RIGHT BULKHEAD BATTERY STUD / STARTER BULKHEAD SPUR EYELET
ST4	WHITE EYELET	GENERATOR, REAR / GENERATOR TO STARTER LINK
VE20	2-WAY ECONOSEAL III HC (BLACK)	REAR OF ENGINE AT TOP / STARTER MOTOR HARNESS

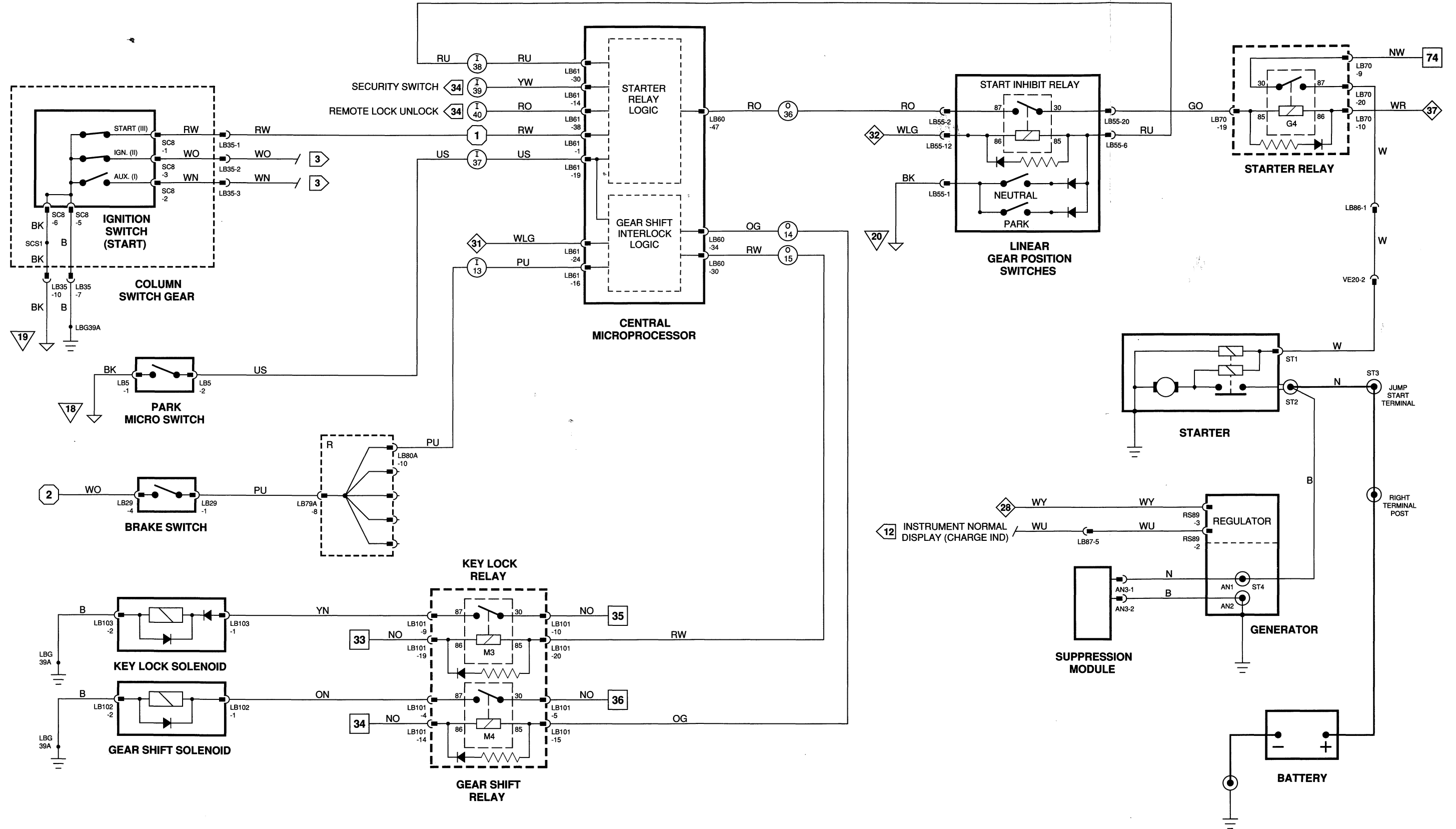
## GROUND

CODE	DESCRIPTION	LOCATION / INTERFACE
LBG39A	WHITE EYELET	CENTER CONSOLE GROUND STUD BEHIND 'J' GATE / GROUND

## INPUTS / OUTPUTS

### CENTRAL MICROPROCESSOR

INPUTS		ACTIVE	INACTIVE
CODE	CIRCUIT		
LB61-1	ENGINE START INPUT	IGNITION CRANK POSITION: GROUND	KEY OUT: OPEN CIRCUIT
13 LB61-16	BRAKE SWITCH (KEY ON)	BRAKE PEDAL PRESSED: GROUND	PEDAL RELEASED: 12V
37 LB61-19	GEAR SELECTOR — PARK	R, N, D, 3, 2: GROUND	PARK: OPEN CIRCUIT
38 LB61-30	TRANSMISSION — PARK / NEUTRAL	P, N: GROUND	R, D, 3, 2: 5V
39 LB61-14	SECURITY VALET SWITCH	SWITCH TO OFF: GROUND	SWITCH TO ON: OPEN CIRCUIT
40 LB61-38	REMOTE LOCK / UNLOCK	TO UNLOCK: PULSE TO GROUND	5V
OUTPUTS		ACTIVE	INACTIVE
CODE	CIRCUIT		
14 LB60-34	GEAR SHIFT INTERLOCK SOLENOID (KEY ON)	BRAKE APPLIED: GROUND	BRAKE RELEASED: 12V
15 LB60-30	KEY LOCK SOLENOID (KEY ON)	R, N, D, 3, 2: GROUND	PARK, KEY REMOVED: 12V
36 LB60-47	STARTER RELAY	KEY TO POSITION III: GROUND	POSITION II: 12V



# FIG 7 DATA

## COMPONENTS

DESCRIPTION	LOCATION	ACCESS
COLUMN SWITCH GEAR (HEADLIGHT FLASH SWITCH)	STEERING COLUMN	LEFT DASH UNDER PANEL
FASCIA SWITCH PACK	TURN SIGNAL STALK "PULL"	—
RELAY AND BULB FAILURE MODULE — LEFT REAR	FASCIA	—
RELAY AND BULB FAILURE MODULE — RIGHT FRONT	BEHIND LEFT REAR BULB CLUSTER	LEFT TRUNK TRIM
RELAY AND BULB FAILURE MODULE — RIGHT REAR	BEHIND RIGHT HEADLIGHT	ENGINE COMPARTMENT
RELAY MODULE D (D4 — RIGHT HEADLIGHT FLASH RELAY)	BEHIND RIGHT REAR BULB CLUSTER	RIGHT TRUNK TRIM
RELAY MODULE L (L3 — LEFT HEADLIGHT FLASH RELAY)	BEHIND RIGHT HEADLIGHT	ENGINE COMPARTMENT
	RIGHT REAR WHEEL ARCH	RIGHT TRUNK TRIM

## CONNECTORS

CODE	DESCRIPTION	LOCATION / INTERFACE
LB10	20-WAY MULTILOCK 40 (BLACK)	REAR FACE OF LEFT BLOWER, UNDER FASCIA / BULKHEAD TO LF HARNESS
LB11	20-WAY MULTILOCK 40 (BLUE)	REAR FACE OF LEFT BLOWER, UNDER FASCIA / BULKHEAD TO LF HARNESS
LB20	20-WAY MULTILOCK 40 (BLUE)	LEFT DASH UNDER PANEL, BELOW FASCIA / FASCIA SWITCH PACK
LB22B	16-WAY MULTILOCK 40 (BLACK)	LEFT BLOWER MOTOR HOUSING BRACKET / LEFT SPLICE BOX
LB23B	16-WAY MULTILOCK 40 (BLUE)	LEFT BLOWER MOTOR HOUSING BRACKET / LEFT SPLICE BOX
LB24B	16-WAY MULTILOCK 40 (GREEN)	LEFT BLOWER MOTOR HOUSING BRACKET / LEFT SPLICE BOX
LB35	12-WAY MULTILOCK 40 (BLACK)	LOWER RIGHT OF STEERING COLUMN / STEERING COLUMN SWITCH GEAR
LB48	13-WAY AMP MK4 (BROWN)	CENTER CONSOLE, BELOW FUSE PANEL / CENTER FUSE PANEL
LB50	20-WAY MULTILOCK 40 (BLACK)	BENEATH LEFT REAR SEAT BOX SECTION / REAR HARNESS
LB52	12-WAY MULTILOCK 70 (BLACK)	BENEATH RIGHT REAR SEAT BOX SECTION / REAR HARNESS
LB87	20-WAY MULTILOCK 40 (GREEN)	REAR FACE OF RIGHT BLOWER, UNDER FASCIA / BULKHEAD TO RF HARNESS
LB88	20-WAY MULTILOCK 40 (BLACK)	REAR FACE OF RIGHT BLOWER, UNDER FASCIA / BULKHEAD TO RF HARNESS
LF1	3-WAY HEADLIGHT (WHITE)	LEFT HEADLIGHT / LOW BEAM
LF2	2-WAY HEADLIGHT (WHITE)	LEFT HEADLIGHT / HIGH BEAM
LS23	2-WAY ECONOSEAL III LC	BEHIND LF DIRECTIONAL ASSEMBLY / LF FOG LIGHT
LS28	13-WAY ECONOSEAL III LC (WHITE)	ADJACENT TO LF BULB FAIL MODULE / LF BULB FAIL MODULE
LS36	13-WAY ECONOSEAL III LC (BLACK)	ADJACENT TO LF BULB FAIL MODULE / LF BULB FAIL MODULE
LS53	18-WAY MULTILOCK 70 (WHITE)	BEHIND LEFT TAIL LIGHT CLUSTER / LR BULB FAIL MODULE
RFF1	3-WAY HEADLIGHT (WHITE)	RIGHT HEADLIGHT / LOW BEAM
RFF2	2-WAY HEADLIGHT (WHITE)	RIGHT HEADLIGHT / HIGH BEAM
RS4	13-WAY ECONOSEAL III LC (WHITE)	ADJACENT TO RF BULB FAIL MODULE / RF BULB FAIL MODULE
RS5	13-WAY ECONOSEAL III LC (BLACK)	ADJACENT TO RF BULB FAIL MODULE / RF BULB FAIL MODULE
RS9	2-WAY ECONOSEAL III LC (BLACK)	BEHIND RF DIRECTIONAL ASSEMBLY / RF FOG LIGHT
RS21	20-WAY AMP PCB POWER (RED)	BEHIND RIGHT HEADLIGHT / RELAY MODULE D
RS42	20-WAY AMP PCB POWER (BLACK)	BEHIND AND LEFT OF ANTENNA MOTOR / RELAY MODULE L
RS60	18-WAY MULTILOCK 70 (WHITE)	BEHIND RIGHT TAIL LIGHT CLUSTER / RR BULB FAIL MODULE
SC3	6-WAY PMHD (BLUE)	STEERING COLUMN SWITCH GEAR, LEFT / TURN SIGNAL SWITCH

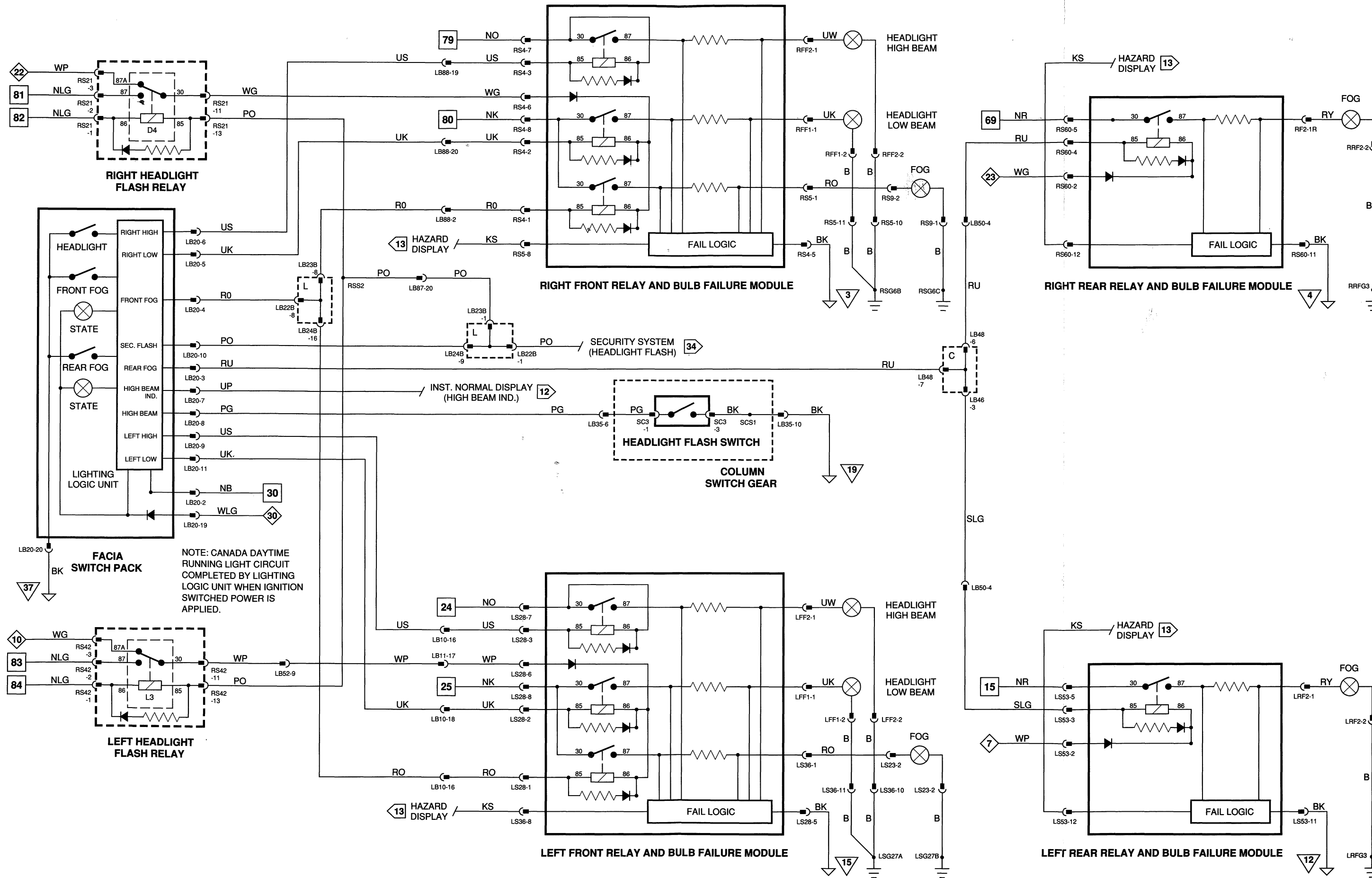
## GROUND

CODE	DESCRIPTION	LOCATION / INTERFACE
LSG27A	WHITE EYELET	ENGINE COMPARTMENT, LF, ADJACENT TO CRUISE CONTROL PUMP / GROUND
LSG27B	WHITE EYELET	ENGINE COMPARTMENT, LF, ADJACENT TO CRUISE CONTROL PUMP / GROUND
RF3L	WHITE EYELET	TRUNK, LEFT, BELOW BULB FAIL MODULE / GROUND
RF3R	WHITE EYELET	TRUNK, RIGHT, BELOW BULB FAIL MODULE / GROUND
RS6B	WHITE EYELET	ENGINE COMPARTMENT, RF, ADJACENT TO WASHER RESERVOIR / GROUND
RS6C	WHITE EYELET	ENGINE COMPARTMENT, RF, ADJACENT TO WASHER RESERVOIR / GROUND

## INPUTS / OUTPUTS

### FASCIA SWITCH PACK

CODE	IN / OUT	CIRCUIT	ACTIVE	INACTIVE
LB20-2	INPUT	BATTERY POWER	12V	12V
LB20-3	OUTPUT	REAR FOG LIGHTS	LIGHTS ON: GROUND	LIGHTS OFF: 12V
LB20-4	OUTPUT	FRONT FOG LIGHTS	LIGHTS ON: GROUND	LIGHTS OFF: 12V
LB20-5	OUTPUT	RIGHT FRONT HIGH BEAM	LIGHTS ON: GROUND	LIGHTS OFF: 12V
LB20-6	OUTPUT	RIGHT FRONT LOW BEAM	LIGHTS ON: GROUND	LIGHTS OFF: 12V
LB20-7	OUTPUT	INSTRUMENT HIGH BEAM DISPLAY	HIGH BEAM WARNING ON: GROUND	WARNING OFF: 12V
LB20-8	OUTPUT	HEADLIGHT FLASH SWITCH	HEADLIGHT FLASH ON: GROUND	FLASH OFF: 12V
LB20-9	OUTPUT	LEFT FRONT HIGH BEAM	LIGHTS ON: GROUND	LIGHTS OFF: 12V
LB20-10	OUTPUT	HEADLIGHT FLASH	LIGHTS ON: GROUND	LIGHTS OFF: 12V
LB20-11	OUTPUT	LEFT FRONT LOW BEAM	LIGHTS ON: GROUND	LIGHTS OFF: 12V
LB20-19	INPUT	IGNITION SWITCHED POWER	KEY ON: 12V	KEY OFF: OPEN CIRCUIT
LB20-20	INPUT	LOGIC GROUND	GROUND	GROUND



NOTE: CANADA DAYTIME RUNNING LIGHT CIRCUIT COMPLETED BY LIGHTING LOGIC UNIT WHEN IGNITION SWITCHED POWER IS APPLIED.

BATTERY POWER (FIGS 1/L, 1/R)
  IGNITION POWER (FIG 2)
  IGNITION SWITCHED GROUND (FIG 3)
  LOGIC GROUND (FIG 4)
  CPU INPUTS / OUTPUTS (FIG 5)
  FIG NUMBER REFERENCE

# FIG 8 DATA

## COMPONENTS

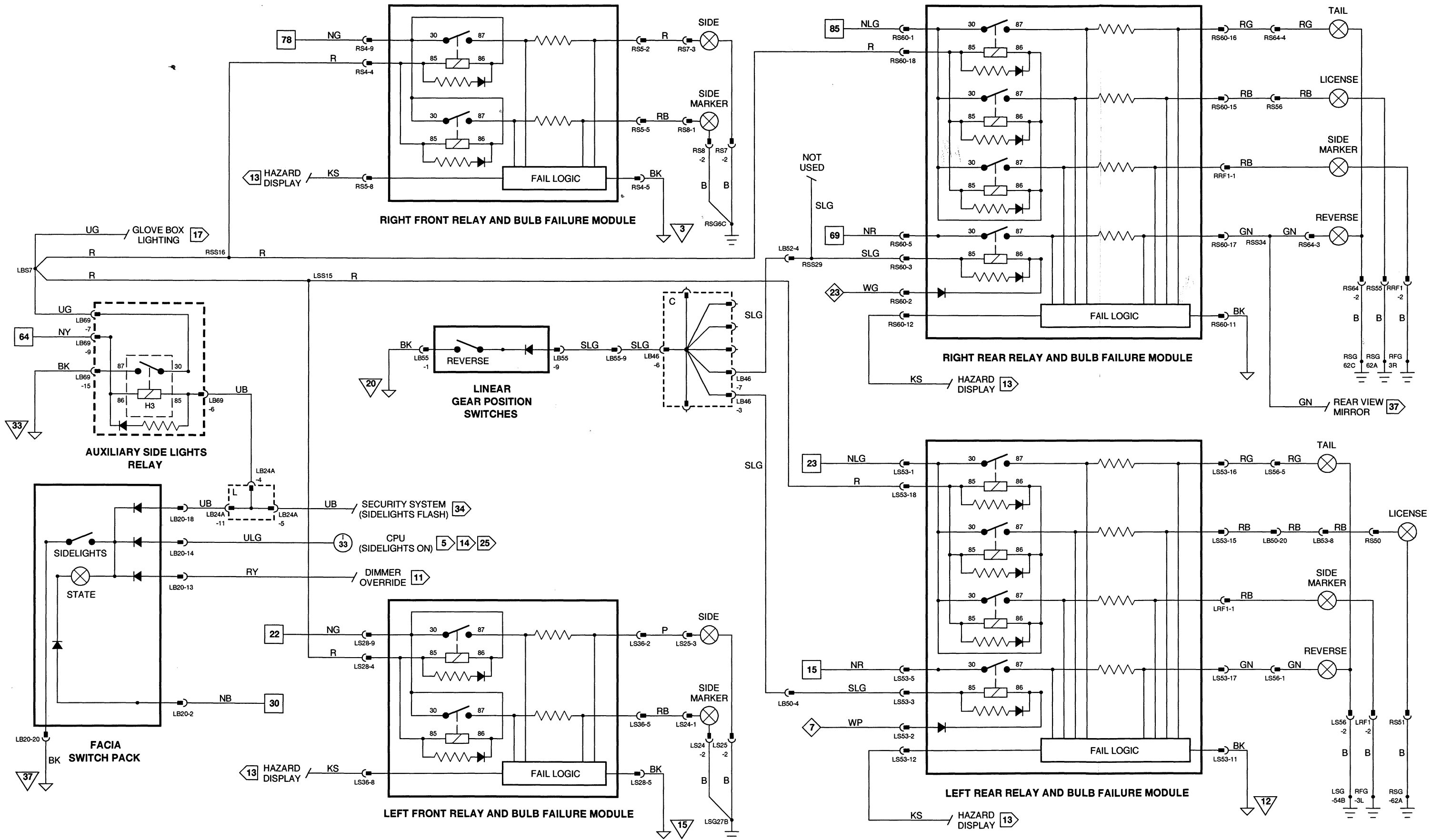
DESCRIPTION	LOCATION	ACCESS
FASCIA SWITCH PACK	FASCIA	—
LINEAR GEAR POSITION SWITCH		
RELAY AND BULB FAILURE MODULE — LEFT FRONT	BEHIND LEFT HEADLIGHT	ENGINE COMPARTMENT
RELAY AND BULB FAILURE MODULE — LEFT REAR	BEHIND LEFT REAR BULB CLUSTER	LEFT TRUNK TRIM
RELAY AND BULB FAILURE MODULE — RIGHT FRONT	BEHIND RIGHT HEADLIGHT	ENGINE COMPARTMENT
RELAY AND BULB FAILURE MODULE — RIGHT REAR	BEHIND RIGHT REAR BULB CLUSTER	RIGHT TRUNK TRIM
RELAY MODULE H (H3 — AUXILIARY SIDE LIGHTS RELAY)	RIGHT DASH UNDER PANEL	RIGHT DASH UNDER PANEL

## CONNECTORS

CODE	DESCRIPTION	LOCATION / INTERFACE
GB7	12-WAY MULTILOCK 40 (BLACK)	LEFT OF CENTER FUSE PANEL, BELOW ASHTRAY / TRANSMISSION HARNESS
LB20	20-WAY MULTILOCK 40 (BLUE)	LEFT DASH UNDER PANEL, BELOW FASCIA / FASCIA SWITCH PACK
LB24A	12-WAY MULTILOCK 40 (GREEN)	LEFT BLOWER MOTOR HOUSING BRACKET / LEFT SPLICE BOX
LB46	13-WAY AMP MK4 (BLACK)	CENTER CONSOLE, BELOW FUSE PANEL / CENTER FUSE PANEL
LB50	20-WAY MULTILOCK 40 (BLACK)	BENEATH LEFT REAR SEAT BOX SECTION / REAR HARNESS
LB52	12-WAY MULTILOCK 70 (BLACK)	BENEATH RIGHT REAR SEAT BOX SECTION / REAR HARNESS
LB53	12-WAY MULTILOCK 70 (WHITE)	BENEATH RIGHT REAR SEAT BOX SECTION / BULKHEAD TO REAR HARNESS
LB55	20-WAY MULTILOCK 40 (BLACK)	CENTER CONSOLE, FRONT OF GEAR SHIFT / BULKHEAD HARNESS
LB69	20-WAY AMP PCB POWER (YELLOW)	RELAY MOUNTING BRACKET BELOW GLOVE BOX / RELAY MODULE H
LS24	PM 5 (GREEN)	BEHIND LF SIDE MARKER ASSEMBLY / LF SIDE MARKER LIGHT
LS25	PM 5 (BLACK)	BEHIND LF DIRECTIONAL ASSEMBLY / LF SIDE AND DIRECTIONAL LIGHTS
LS28	13-WAY ECONOSEAL III LC (WHITE)	ADJACENT TO LF BULB FAIL MODULE / LF BULB FAIL MODULE
LS36	13-WAY ECONOSEAL III LC (BLACK)	ADJACENT TO LF BULB FAIL MODULE / LF BULB FAIL MODULE
LS53	18-WAY MULTILOCK 70 (WHITE)	BEHIND LEFT TAIL LIGHT CLUSTER / LR BULB FAIL MODULE
LS56	5-WAY MULTIPLE INTERLOCK (WHITE)	BEHIND LEFT TAIL LIGHT CLUSTER / LR BULB FAIL TO LIGHT CLUSTER
RF1	WHITE EYELET	RIGHT 'A' POST BEHIND FUSE PANEL / BATTERY TERMINAL COVER
RS4	13-WAY ECONOSEAL III LC (WHITE)	ADJACENT TO RF BULB FAIL MODULE / RF BULB FAIL MODULE
RS5	13-WAY ECONOSEAL III LC (BLACK)	ADJACENT TO RF BULB FAIL MODULE / RF BULB FAIL MODULE
RS7	PM 5 (BLACK)	BEHIND RF DIRECTIONAL ASSEMBLY / RF SIDE LIGHT
RS8	PM 5 (GREEN)	BEHIND RF SIDE MARKER ASSEMBLY / RF SIDE MARKER LIGHT
RS50	.250 BLADE (BLACK)	BEHIND TRUNK LID TRIM PANEL / LICENSE PLATE LIGHT
RS51	.250 BLADE (BLACK)	BEHIND TRUNK LID TRIM PANEL / LICENSE PLATE LIGHT
RS55	.250 BLADE (BLACK)	BEHIND TRUNK LID TRIM PANEL / LICENSE PLATE LIGHT
RS56	.250 BLADE (BLACK)	BEHIND TRUNK LID TRIM PANEL / LICENSE PLATE LIGHT
RS60	18-WAY MULTILOCK 70 (WHITE)	BEHIND RIGHT TAIL LIGHT CLUSTER / RR BULB FAIL MODULE
RS64	5-WAY MULTIPLE INTERLOCK (WHITE)	BEHIND RIGHT TAIL LIGHT CLUSTER / RR BULB FAIL MODULE TO LIGHT CLUSTER

## GROUND

CODE	DESCRIPTION	LOCATION / INTERFACE
LSG27B	WHITE EYELET	ENGINE COMPARTMENT, LF, ADJACENT TO CRUISE CONTROL PUMP / GROUND
LSG54B	WHITE EYELET	TRUNK, LEFT, BELOW BULB FAIL MODULE / GROUND
RFG3L	WHITE EYELET	TRUNK, LEFT, BELOW BULB FAIL MODULE / GROUND
RFG3R	WHITE EYELET	TRUNK, RIGHT, BELOW BULB FAIL MODULE / GROUND
RSG6C	WHITE EYELET	ENGINE COMPARTMENT, RF, ADJACENT TO WASHER RESERVOIR / GROUND
RSG62A	WHITE EYELET	TRUNK, RIGHT, BELOW BULB FAIL MODULE / GROUND
RSG62C	WHITE EYELET	TRUNK, RIGHT, BELOW BULB FAIL MODULE / GROUND



BATTERY POWER (FIG 1)  
 ◆ IGNITION POWER (FIG 2)  
 ○ IGNITION SWITCHED GROUND (FIG 3)  
 ▽ LOGIC GROUND (FIG 4)  
  CPU INPUTS / OUTPUTS (FIG 5)  
  FIG NUMBER REFERENCE

# FIG 9 DATA

## COMPONENTS

### DESCRIPTION

BRAKE SWITCH  
 CENTRAL MICROPROCESSOR  
 COLUMN SWITCH GEAR  
 (TURN SIGNAL SWITCHES)  
 FASCIA SWITCH PACK  
 HIGH MOUNT STOP LIGHT  
 RELAY AND BULB FAILURE MODULE — LEFT FRONT  
 RELAY AND BULB FAILURE MODULE — LEFT REAR  
 RELAY AND BULB FAILURE MODULE — RIGHT FRONT  
 RELAY AND BULB FAILURE MODULE — RIGHT REAR  
 RELAY MODULE L  
 (L1 — HIGH MOUNT STOP LIGHT RELAY)

### LOCATION

ABOVE BRAKE PEDAL  
 BEHIND GLOVE BOX  
 STEERING COLUMN  
 STEERING COLUMN, LEFT  
 FASCIA  
 REAR WINDOW  
 BEHIND LEFT HEADLIGHT  
 BEHIND LEFT REAR BULB CLUSTER  
 BEHIND RIGHT HEADLIGHT  
 BEHIND RIGHT REAR BULB CLUSTER  
 RIGHT REAR WHEEL ARCH

### ACCESS

LEFT DASH UNDER PANEL  
 RIGHT DASH UNDER PANEL  
 LEFT DASH UNDER PANEL  
 —  
 —  
 —  
 ENGINE COMPARTMENT  
 LEFT TRUNK TRIM  
 ENGINE COMPARTMENT  
 RIGHT TRUNK TRIM  
 RIGHT TRUNK TRIM

## CONNECTORS

### CODE

### DESCRIPTION

LB11 20-WAY MULTILOCK 40 (BLUE)  
 LB20 20-WAY MULTILOCK 40 (BLUE)  
 LB29 4-WAY MULTILOCK 70 (WHITE)  
 LB33 12-WAY MULTILOCK 40 (GREEN)  
 LB35 12-WAY MULTILOCK 40 (BLACK)  
 LB51 12-WAY MULTILOCK 70 (WHITE)  
 LB53 12-WAY MULTILOCK 70 (WHITE)  
 LB60 48-WAY AMP PCB SIGNAL (YELLOW)  
 LB61 48-WAY AMP PCB SIGNAL (BLACK)  
 LB79A 12-WAY MULTILOCK 40 (BLACK)  
 LB80A 12-WAY MULTILOCK 40 (GREEN)  
 LB88 20-WAY MULTILOCK 40 (BLACK)  
 LS25 PM 5 (BLACK)  
 LS28 13-WAY ECONOSEAL III LC (WHITE)  
 LS36 13-WAY ECONOSEAL III LC (BLACK)  
 LS53 18-WAY MULTILOCK 70 (WHITE)  
 LS56 5-WAY MULTIPLE INTERLOCK (WHITE)  
 RS4 13-WAY ECONOSEAL III LC (WHITE)  
 RS5 13-WAY ECONOSEAL III LC (BLACK)  
 RS7 PM 5 (BLACK)  
 RS35 3-WAY EDGE CONTACT (SLATE)  
 RS42 20-WAY AMP PCB POWER (BLACK)  
 RS60 18-WAY MULTILOCK 70 (WHITE)  
 RS64 5-WAY MULTIPLE INTERLOCK (WHITE)  
 SC3 6-WAY PMHD (BLUE)

### LOCATION / INTERFACE

REAR FACE OF LEFT BLOWER, UNDER FASCIA / BULKHEAD TO LF HARNESS  
 LEFT DASH UNDER PANEL, BELOW FASCIA / FASCIA SWITCH PACK  
 LOWER STEERING COLUMN, ABOVE BRAKE PEDAL / BRAKE/CRUISE SWITCH  
 LOWER RIGHT OF STEERING COLUMN / STEERING COLUMN CYCLE SWITCH  
 LOWER RIGHT OF STEERING COLUMN / STEERING COLUMN SWITCH GEAR  
 BENEATH LEFT REAR SEAT BOX SECTION / REAR HARNESS  
 BENEATH RIGHT REAR SEAT BOX SECTION / BULKHEAD TO REAR HARNESS  
 BEHIND GLOVE BOX ON CPU / CENTRAL MICROPROCESSOR  
 BEHIND GLOVE BOX ON CPU / CENTRAL MICROPROCESSOR  
 RIGHT BLOWER MOTOR, ABOVE VACUUM VALVE / RIGHT SPLICE BOX  
 RIGHT BLOWER MOTOR, ABOVE VACUUM VALVE / RIGHT SPLICE BOX  
 REAR FACE OF RIGHT BLOWER, UNDER FASCIA / BULKHEAD TO RF HARNESS  
 BEHIND LF DIRECTIONAL ASSEMBLY / LF SIDE AND DIRECTIONAL LIGHTS  
 ADJACENT TO LF BULB FAIL MODULE / LF BULB FAIL MODULE  
 ADJACENT TO LF BULB FAIL MODULE / LF BULB FAIL MODULE  
 BEHIND LEFT TAIL LIGHT CLUSTER / LR BULB FAIL MODULE  
 BEHIND LEFT TAIL LIGHT CLUSTER / LR BULB FAIL TO LIGHT CLUSTER  
 ADJACENT TO RF BULB FAIL MODULE / RF BULB FAIL MODULE  
 ADJACENT TO RF BULB FAIL MODULE / RF BULB FAIL MODULE  
 BEHIND RF DIRECTIONAL ASSEMBLY / RF SIDE LIGHT  
 FITTED TO HIGH MOUNT STOP LIGHT / HIGH MOUNT STOP LIGHT  
 BEHIND AND LEFT OF ANTENNA MOTOR / RELAY MODULE L  
 BEHIND RIGHT TAIL LIGHT CLUSTER / RR BULB FAIL MODULE  
 BEHIND RIGHT TAIL LIGHT CLUSTER / RR BULB FAIL MODULE TO LIGHT CLUSTER  
 STEERING COLUMN SWITCH GEAR, LEFT / TURN SIGNAL SWITCH

## GROUNDS

### CODE

### DESCRIPTION

LSG4B WHITE EYELET  
 LSG7B WHITE EYELET  
 RSG6C WHITE EYELET  
 RSG62B WHITE EYELET  
 RSG62C WHITE EYELET

### LOCATION / INTERFACE

TRUNK, LEFT, BELOW BULB FAIL MODULE / GROUND  
 ENGINE COMPARTMENT, RF, ADJACENT TO WASHER RESERVOIR / GROUND  
 ENGINE COMPARTMENT, RF, ADJACENT TO WASHER RESERVOIR / GROUND  
 TRUNK, RIGHT, BELOW BULB FAIL MODULE / GROUND  
 TRUNK, RIGHT, BELOW BULB FAIL MODULE / GROUND

## INPUTS / OUTPUTS

### CENTRAL MICROPROCESSOR

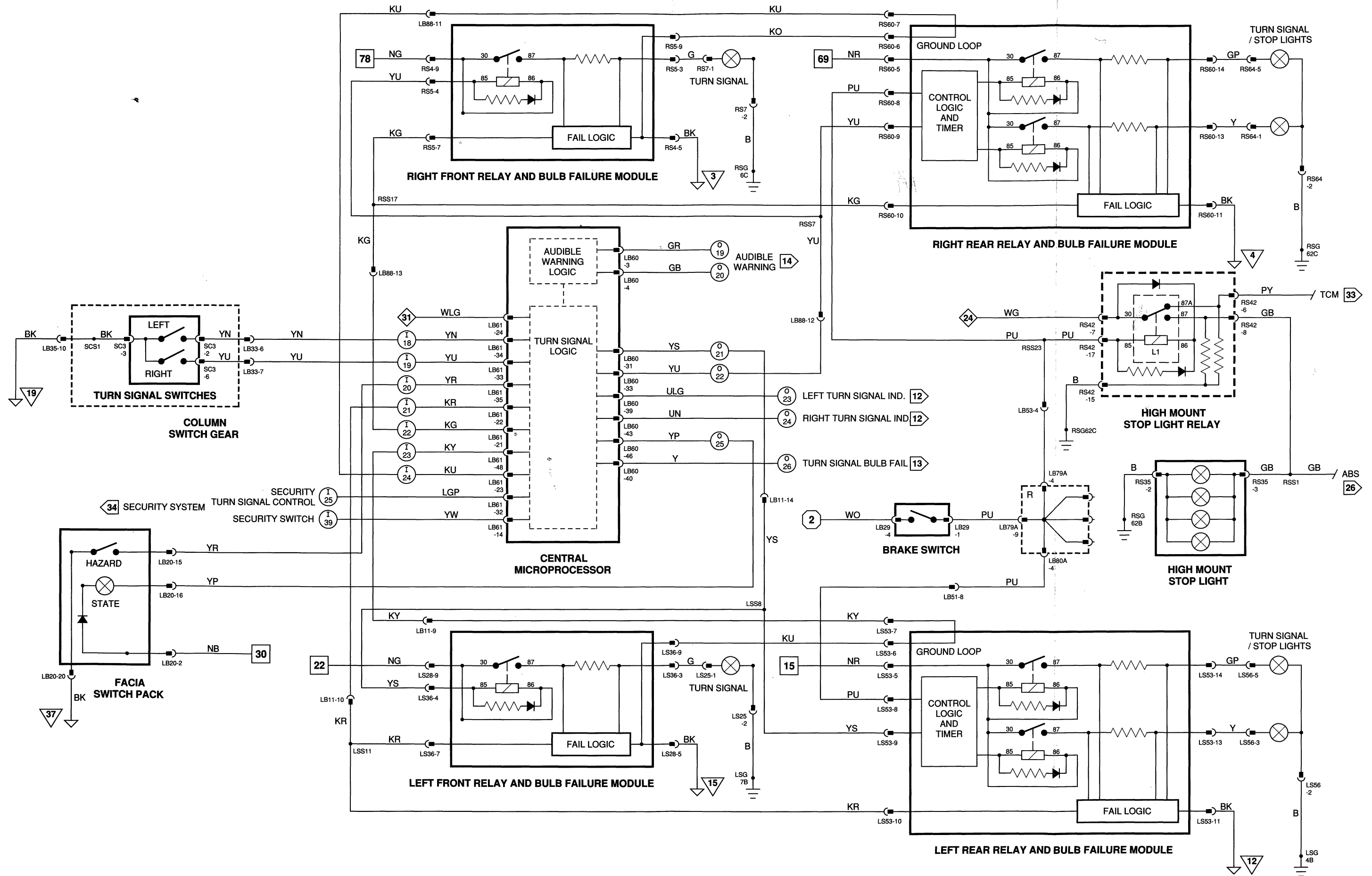
#### INPUTS

CODE	CIRCUIT	ACTIVE	INACTIVE
LB61-24	IGNITION SWITCHED POWER	KEY ON: 12V	KEY OFF: OPEN CIRCUIT
18 LB61-34	LEFT TURN SIGNAL SWITCH	LEFT TURN: GROUND	TURN STALK CENTERED: OPEN CIRCUIT
19 LB61-33	RIGHT TURN SIGNAL SWITCH	RIGHT TURN: GROUND	TURN STALK CENTERED: OPEN CIRCUIT
20 LB61-35	HAZARD SWITCH	HAZARDS ON: GROUND	HAZARDS OFF: OPEN CIRCUIT
21 LB61-22	LEFT TURN SIGNAL FAILURE	FAILED BULB: GROUND	BULBS O.K.: 4.0V
22 LB61-21	RIGHT TURN SIGNAL FAILURE	FAILED BULB: GROUND	BULBS O.K.: 4.0V
23 LB61-48	LEFT TURN SIGNAL DISCONNECT	DISCONNECTED MODULE: OPEN CIRCUIT	CONNECTED MODULE: GROUND SENSED
24 LB61-23	RIGHT TURN SIGNAL DISCONNECT	DISCONNECTED MODULE: OPEN CIRCUIT	CONNECTED MODULE: GROUND SENSED
25 LB61-32	SECURITY SYSTEM TURN SIGNAL FLASH	PULSED SIGNAL TO FLASH	5V
39 LB61-14	SECURITY VALET SWITCH	SWITCH TO OFF: GROUND	SWITCH TO ON: OPEN CIRCUIT

#### OUTPUTS

CODE	CIRCUIT	ACTIVE	INACTIVE
19 LB60-3	AUDIBLE WARNINGS (KEY ON)	PULSES TO GROUND	TURN SIGNALS ON: EXAMPLE .012 - .021V
20 LB60-4	AUDIBLE WARNINGS (KEY ON)	PULSES TO GROUND	TURN SIGNALS ON: EXAMPLE .012 - .021V
21 LB60-31	LEFT TURN SIGNAL	LEFT TURN: PULSE TO GROUND	STALK CENTERED: 12V
22 LB60-33	RIGHT TURN SIGNAL	RIGHT TURN: PULSE TO GROUND	STALK CENTERED: 12V
23 LB60-39	LEFT TURN SIGNAL INDICATOR	LEFT TURN: PULSE TO GROUND	STALK CENTERED: 12V
24 LB60-43	RIGHT TURN SIGNAL INDICATOR	RIGHT TURN: PULSE TO GROUND	STALK CENTERED: 12V
25 LB60-46	HAZARD INDICATOR	HAZARD SWITCH ON: PULSE TO GROUND	SWITCH OFF: 12V
26 LB60-40	TURN SIGNAL BULB FAIL INDICATOR	BULB FAIL: 12V	BULBS O.K.: GROUND





BATTERY POWER (FIGS 1/L, 1/R)  
  IGNITION POWER (FIG 2)  
  IGNITION SWITCHED GROUND (FIG 3)  
  LOGIC GROUND (FIG 4)  
  CPU INPUTS / OUTPUTS (FIG 5)  
  FIG NUMBER REFERENCE

NOTE: HOOD LIGHTS AND GLOVE BOX LIGHT — FIG 17

# FIG 10 DATA

## INPUT / OUTPUTS

### CENTRAL MICROPROCESSOR

#### INPUTS

CODE	CIRCUIT	ACTIVE	INACTIVE
1 LB61-27	PASSENGER'S DOOR SWITCH	DOOR OPEN: GROUND	DOOR CLOSED: 5V
2 LB61-20	DRIVER'S DOOR SWITCH	DOOR OPEN: GROUND	DOOR CLOSED: 5V
3 LB61-18	DRIVER'S SEAT BELT SWITCH	BELT UNLATCHED: 12V	BELT LATCHED: 15V
4 LB61-4	INTERIOR LIGHT SWITCH PAD #2	LIGHTS ON: GROUND	LIGHTS OFF: OPEN CIRCUIT
5 LB61-45	IGNITION KEY IN SWITCH	KEY IN: GROUND	KEY OUT: OPEN CIRCUIT
LB61-44	IGNITION SWITCH AUX; ON		
LB61-1	ENGINE START INPUT	IGNITION CRANK POSITION: GROUND	KEY OUT: OPEN CIRCUIT
40 LB61-38	REMOTE LOCK / UNLOCK	TO UNLOCK: PULSE TO GROUND	5V

#### OUTPUTS

CODE	CIRCUIT	ACTIVE	INACTIVE
1 LB60-20	SEAT BACK LIGHTS	LIGHTS ON: GROUND	LIGHTS OFF: 12V
2 LB60-11	DOOR GUARD PUDDLE LIGHTS	LIGHTS ON: GROUND	LIGHTS OFF: 12V
3 LB60-15	INTERIOR LIGHTING	LIGHTS ON: GROUND	LIGHTS OFF: 12V

## COMPONENTS

DESCRIPTION	LOCATION	ACCESS
CENTER CONSOLE	BETWEEN DRIVER / PASSENGER SEAT	—
CENTRAL MICROPROCESSOR	BEHIND GLOVE BOX	RIGHT DASH UNDER PANEL
COLUMN SWITCH GEAR (KEY-IN SWITCH)	STEERING COLUMN	LEFT DASH UNDER PANEL
DOOR GUARD LIGHT — DRIVER	IGNITION SWITCH	STEERING COLUMN LOWER COWL
DOOR GUARD LIGHT — LEFT REAR	DRIVER'S DOOR	DRIVER'S DOOR CASING
DOOR GUARD LIGHT — LEFT REAR	LEFT REAR DOOR	LEFT REAR DOOR CASING
DOOR GUARD LIGHT — PASSENGER	PASSENGER'S DOOR	PASSENGER'S DOOR CASING
DOOR GUARD LIGHT — RIGHT REAR	RIGHT REAR DOOR	RIGHT REAR DOOR CASING
DOOR SWITCH PACK — DRIVER	DRIVER'S DOOR	DRIVER'S DOOR LOWER CASING
DOOR SWITCH PACK — LEFT REAR	LEFT REAR DOOR	LEFT REAR DOOR LOWER CASING
DOOR SWITCH PACK — PASSENGER	PASSENGER'S DOOR	PASSENGER'S DOOR LOWER CASING
DOOR SWITCH PACK — RIGHT REAR	RIGHT REAR DOOR	RIGHT REAR DOOR LOWER CASING
DOOR SWITCH — DRIVER	DRIVER'S DOOR LATCH	DRIVER'S DOOR CASING
DOOR SWITCH — LEFT REAR	LEFT REAR DOOR LATCH	LEFT REAR DOOR CASING
DOOR SWITCH — PASSENGER	PASSENGER'S DOOR LATCH	PASSENGER'S DOOR CASING
DOOR SWITCH — RIGHT REAR	RIGHT REAR DOOR LATCH	RIGHT REAR DOOR CASING
SEAT BELT SWITCH — DRIVER	DRIVER'S SEAT BELT ANCHOR	LEFT SIDE
E POST LIGHT — LEFT	LEFT REAR 'E' POST	TRIM PANEL
E POST LIGHT — RIGHT	RIGHT REAR 'E' POST	TRIM PANEL
RELAY MODULE E (E4 — SEAT BACK LIGHTS RELAY)	BEHIND LEFT HEADLIGHT	ENGINE COMPARTMENT
RELAY MODULE F (F3 — INTERIOR LIGHTS RELAY) (F4 — DOOR GUARD LIGHTS RELAY)	RIGHT DASH UNDER PANEL	RIGHT DASH UNDER PANEL
ROOF CONSOLE	ROOF CONSOLE	—
SEAT BACK LIGHT AND SWITCH — LEFT	DRIVER'S SEAT BACK	SWITCH BEZEL
SEAT BACK LIGHT AND SWITCH — RIGHT	PASSENGER'S SEAT BACK	SWITCH BEZEL
TRUNK LIGHT	TRUNK	TRUNK PANEL
TRUNK LIGHT SWITCH	RIGHT TRUNK HINGE	RIGHT TRUNK TRIM
VANITY MIRROR — LEFT	LEFT VANITY MIRROR	HEADLINER
VANITY MIRROR — RIGHT	RIGHT VANITY MIRROR	HEADLINER

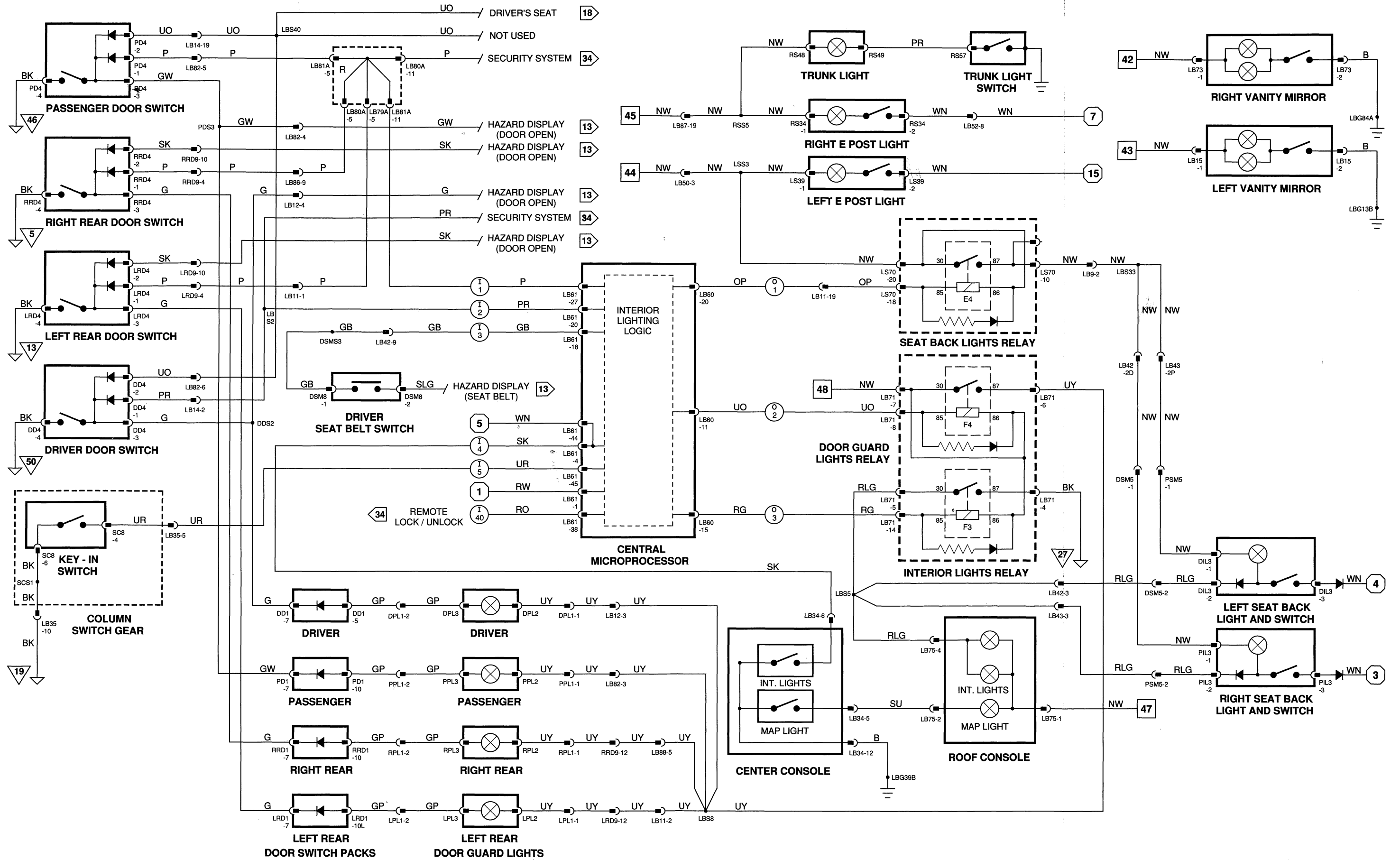
## CONNECTORS

CODE	DESCRIPTION	LOCATION / INTERFACE
DD1	8-WAY MULTILOCK 70 (WHITE)	DRIVER'S DOOR, BOTTOM OF SWITCH PACK / DRIVER'S DOOR HARNESS
DD4	4-WAY ECONOSEAL III LC (BLACK)	DRIVER'S DOOR, BOTTOM REAR / DRIVER'S DOOR SWITCH
DIL3	3-WAY MULTILOCK 70 (WHITE)	REAR OF DRIVER'S SEAT BACK / SEAT BACK READING LIGHT
DPL1	2-WAY MULTILOCK 70 (WHITE)	BELOW DRIVER'S DOOR CATCH / DRIVER'S DOOR HARNESS
DPL2	.250 BLADE (WHITE)	BEHIND DRIVER'S PUDDLE LIGHT / DRIVER'S PUDDLE LIGHT
DPL3	.250 BLADE (WHITE)	DRIVER'S DOOR, BEHIND PUDDLE LIGHT CASING / DRIVER'S PUDDLE LIGHT
DSM5	18-WAY MULTILOCK 70 (WHITE)	BENEATH DRIVER'S SEAT CUSHION / DRIVER'S SEAT HARNESS
DSM8	2-WAY MULTILOCK 70 (BLACK)	BENEATH DRIVER'S SEAT CUSHION / DRIVER'S SEAT BELT SWITCH
LB9	12-WAY MULTILOCK 70 (WHITE)	LEFT 'A' POST, ABOVE FUSE PANEL / BULKHEAD HARNESS
LB11	20-WAY MULTILOCK 40 (BLUE)	REAR FACE OF LEFT BLOWER, UNDER FASCIA / BULKHEAD TO LF HARNESS
LB12	20-WAY MULTILOCK 40 (BLACK)	LEFT 'A' POST BOX SECTION / BULKHEAD HARNESS
LB14	20-WAY MULTILOCK 40 (GREEN)	LEFT 'A' POST BOX SECTION / BULKHEAD HARNESS
LB15	2-WAY MULTILOCK 40 (BLACK)	BEHIND LEFT SUN VISOR LINING / LEFT VANITY MIRROR
LB34	12-WAY MULTILOCK 40 (GREEN)	BEHIND CENTER CONSOLE CLOCK / CENTER CONSOLE SWITCH PANEL
LB35	12-WAY MULTILOCK 40 (BLACK)	LOWER RIGHT OF STEERING COLUMN / STEERING COLUMN SWITCH GEAR
LB42	10-WAY MULTILOCK 70 (WHITE)	FRONT OF DRIVER'S SEAT BY SEAT AND MIRRORS ECM / BULKHEAD TO SEAT HARNESS
LB43	10-WAY MULTILOCK 70 (WHITE)	FRONT OF PASSENGER'S SEAT BY SEAT CONTROL UNIT / BULKHEAD TO SEAT HARNESS
LB50	20-WAY MULTILOCK 40 (BLACK)	BENEATH LEFT REAR SEAT BOX SECTION / REAR HARNESS
LB52	12-WAY MULTILOCK 70 (BLACK)	BENEATH RIGHT REAR SEAT BOX SECTION / REAR HARNESS
LB60	48-WAY AMP PCB SIGNAL (YELLOW)	BEHIND GLOVE BOX ON CPU / CENTRAL MICROPROCESSOR
LB61	48-WAY AMP PCB SIGNAL (BLACK)	BEHIND GLOVE BOX ON CPU / CENTRAL MICROPROCESSOR
LB71	20-WAY AMP PCB POWER (RED)	RELAY MOUNTING BRACKET BELOW GLOVE BOX / RELAY MODULE F
LB73	2-WAY MULTILOCK 40 (BLACK)	ROOF CONSOLE / MAP AND INTERIOR LIGHTS
LB75	4-WAY MULTILOCK 40 (BLACK)	BEHIND RIGHT SUN VISOR LINING / RIGHT VANITY MIRROR
LB79A	12-WAY MULTILOCK 40 (BLACK)	RIGHT BLOWER MOTOR, ABOVE VACUUM VALVE / RIGHT SPLICE BOX
LB80A	12-WAY MULTILOCK 40 (GREEN)	RIGHT BLOWER MOTOR, ABOVE VACUUM VALVE / RIGHT SPLICE BOX
LB81A	12-WAY MULTILOCK 40 (BLUE)	RIGHT BLOWER MOTOR, ABOVE VACUUM VALVE / RIGHT SPLICE BOX
LB82	20-WAY MULTILOCK 40 (BLACK)	RIGHT 'A' POST BOX SECTION / BULKHEAD HARNESS
LB86	4-WAY ECONOSEAL III HC (BLACK)	RIGHT DASH UNDER PANEL / BULKHEAD HARNESS
PL13	3-WAY MULTILOCK 70 (WHITE)	REAR OF PASSENGER'S SEAT BACK / SEAT BACK READING LIGHT
LB87	20-WAY MULTILOCK 40 (GREEN)	REAR FACE OF RIGHT BLOWER, UNDER FASCIA / BULKHEAD TO RF HARNESS
LB88	20-WAY MULTILOCK 40 (BLACK)	REAR FACE OF RIGHT BLOWER, UNDER FASCIA / BULKHEAD TO RF HARNESS
LPL1	2-WAY MULTILOCK 70 (WHITE)	BELOW LR DOOR CATCH / LR DOOR HARNESS
LPL2	.250 BLADE (WHITE)	BEHIND LR PUDDLE LIGHT / LR PUDDLE LIGHT
LPL3	.250 BLADE (WHITE)	LR DOOR, BEHIND PUDDLE LIGHT CASING / LR PUDDLE LIGHT
LRD1	12-WAY MULTILOCK 70 (WHITE)	LR DOOR, BOTTOM OF SWITCH PACK / LR DOOR HARNESS
LRD4	4-WAY ECONOSEAL III LC (BLACK)	LR DOOR, BOTTOM OF DOOR / LR DOOR SWITCH
LRD9	12-WAY MULTILOCK 40 (BLACK)	RIGHT 'B/C' POST BOX SECTION, BY SEAT BELT / LR HARNESS
LS39	2-WAY MULTILOCK 40 (BLACK)	LEFT 'E' POST BEHIND TRIM PANEL / LEFT 'E' POST LIGHT
LS70	20-WAY AMP PCB POWER (BLACK)	LEFT HEADLIGHT BRACKET BELOW HOOD HINGE / RELAY MODULE E
PD1	12-WAY MULTILOCK 70 (WHITE)	PASSENGER'S DOOR, BOTTOM OF SWITCH PACK / PASSENGER'S DOOR HARNESS
PD4	4-WAY ECONOSEAL III LC (BLACK)	PASSENGER'S DOOR, BOTTOM REAR / PASSENGER'S DOOR SWITCH
PPL1	2-WAY MULTILOCK 70 (WHITE)	BELOW PASSENGER'S DOOR CATCH / PASSENGER'S DOOR HARNESS
PPL2	.250 BLADE (WHITE)	BEHIND PASSENGER'S PUDDLE LIGHT / PASSENGER'S PUDDLE LIGHT
PPL3	.250 BLADE (WHITE)	PASSENGER'S DOOR, BEHIND PUDDLE LIGHT CASING / PASSENGER'S PUDDLE LIGHT
PSM5	18-WAY MULTILOCK 70 (WHITE)	BENEATH PASSENGER'S SEAT CUSHION / PASSENGER'S SEAT HARNESS
RRD1	12-WAY MULTILOCK 70 (WHITE)	RR DOOR, BOTTOM OF SWITCH PACK / RR DOOR HARNESS
RRD4	4-WAY ECONOSEAL III LC (BLACK)	RR DOOR, BOTTOM OF DOOR / RR DOOR SWITCH
RRD9	12-WAY MULTILOCK 40 (BLACK)	RIGHT 'B/C' POST BOX SECTION, BY SEAT BELT / RR HARNESS
RPL1	2-WAY MULTILOCK 70 (WHITE)	BELOW RR DOOR CATCH / RR DOOR HARNESS
RPL2	.250 BLADE (WHITE)	BEHIND RR PUDDLE LIGHT / RR PUDDLE LIGHT
RPL3	.250 BLADE (WHITE)	RR DOOR, BEHIND PUDDLE LIGHT CASING / RR PUDDLE LIGHT
RS34	2-WAY MULTILOCK 40 (BLACK)	BEHIND RIGHT 'E' POST LIGHT / RIGHT 'E' POST LIGHT
RS48	.250 BLADE (BLACK)	BEHIND TRUNK LID TRIM PANEL / TRUNK LIGHT
RS49	.250 BLADE (BLACK)	BEHIND TRUNK LID TRIM PANEL / TRUNK LIGHT
RS57	.250 BLADE (BLACK)	TRUNK, RIGHT, MOUNTED TO HINGE / TRUNK LIGHT MICRO SWITCH
SC8	6-WAY PMHD (PURPLE)	STEERING COLUMN SWITCH GEAR, RIGHT / KEY IN SWITCH

## GROUNDINGS

CODE	DESCRIPTION	LOCATION / INTERFACE
LBG13B	WHITE EYELET	ABOVE LEFT FUSE PANEL ON 'A' POST / GROUND
LBG38B	WHITE EYELET	CENTER CONSOLE GROUND STUD BEHIND 'J' GATE / GROUND
LBG84A	WHITE EYELET	ABOVE RIGHT FUSE PANEL ON 'A' POST / GROUND

CONTINUED AT LEFT ON FOLDOUT



# FIG 11 DATA

## COMPONENTS

DESCRIPTION	LOCATION	ACCESS
CENTER CONSOLE	BETWEEN DRIVER / PASSENGER SEAT	—
CENTRAL MICROPROCESSOR	BEHIND GLOVE BOX	RIGHT DASH UNDER PANEL
CLIMATE CONTROL PANEL	CENTER CONSOLE ABOVE RADIO	—
CLIMATE CONTROL SWITCH	CENTER CONSOLE, ABOVE RADIO	—
COLUMN SWITCH GEAR (DIMMER)	STEERING COLUMN	LEFT DASH UNDER PANEL
DOOR SWITCH PACK — DRIVER	STEERING COLUMN COWL, LEFT	STEERING COLUMN LOWER COWL
DOOR SWITCH PACK — LEFT REAR	DRIVER'S DOOR	DRIVER'S DOOR LOWER CASING
DOOR SWITCH PACK — PASSENGER	LEFT REAR DOOR	LEFT REAR DOOR LOWER CASING
DOOR SWITCH PACK — RIGHT REAR	PASSENGER'S DOOR	PASSENGER'S DOOR LOWER CASING
FASCIA SWITCH PACK	RIGHT REAR DOOR	RIGHT REAR DOOR LOWER CASING
INSTRUMENT PACK	FASCIA	—
RADIO	DRIVER'S SIDE FASCIA	—
SEAT SWITCH PACK — DRIVER	CENTER CONSOLE	—
SEAT SWITCH PACK — PASSENGER	CENTER CONSOLE, LEFT SIDE	CENTER CONSOLE
	CENTER CONSOLE, RIGHT SIDE	CENTER CONSOLE

## CONNECTORS

CODE	DESCRIPTION	LOCATION / INTERFACE
AC1	24-WAY AMP PCB SIGNAL (BLACK)	BEHIND CLIMATE CONTROL PANEL / CLIMATE CONTROL PANEL
DD1	8-WAY MULTILOCK 70 (WHITE)	DRIVER'S DOOR, BOTTOM OF SWITCH PACK / DRIVER'S DOOR HARNESS
DD2	20-WAY MULTILOCK 40 (BLACK)	DRIVER'S DOOR SWITCH PACK, NEAR FRONT OF DOOR / DRIVER'S DOOR SWITCH PACK
LB10	20-WAY MULTILOCK 40 (BLACK)	REAR FACE OF LEFT BLOWER, UNDER FASCIA / BULKHEAD TO LF HARNESS
LB12	20-WAY MULTILOCK 40 (BLACK)	LEFT 'A' POST BOX SECTION / BULKHEAD HARNESS
LB20	20-WAY MULTILOCK 40 (BLUE)	LEFT DASH UNDER PANEL, BELOW FASCIA / FASCIA SWITCH PACK
LB21	24-WAY AMP PCB SIGNAL (BLACK)	BEHIND INSTRUMENT PACK AT FASCIA / INSTRUMENT PACK
LB22A	12-WAY MULTILOCK 40 (BLACK)	LEFT BLOWER MOTOR HOUSING BRACKET / LEFT SPLICE BOX
LB23A	12-WAY MULTILOCK 40 (BLUE)	LEFT BLOWER MOTOR HOUSING BRACKET / LEFT SPLICE BOX
LB24A	12-WAY MULTILOCK 40 (GREEN)	LEFT BLOWER MOTOR HOUSING BRACKET / LEFT SPLICE BOX
LB25	48-WAY AMP PCB SIGNAL (BLACK)	BEHIND INSTRUMENT PACK AT FASCIA / INSTRUMENT PACK
LB26	18-WAY MULTILOCK 70 (YELLOW)	REAR OF TRIP COMPUTER BY STEERING COLUMN / TRIP COMPUTER
LB33	12-WAY MULTILOCK 40 (GREEN)	LOWER RIGHT OF STEERING COLUMN / STEERING COLUMN CYCLE SWITCH
LB34	12-WAY MULTILOCK 40 (GREEN)	BEHIND CENTER CONSOLE CLOCK / CENTER CONSOLE SWITCH PANEL
LB35	12-WAY MULTILOCK 40 (BLACK)	LOWER RIGHT OF STEERING COLUMN / STEERING COLUMN SWITCH GEAR
LB36	14-WAY MULTILOCK 70 (WHITE)	BEHIND CENTER CONSOLE RADIO / RADIO
LB37	20-WAY MULTILOCK 40 (GREEN)	MOUNTED LEFT OF CENTER CONSOLE CHEEK / DRIVER SEAT SWITCH PACK
LB49	13-WAY AMP MK4 (SLATE)	CENTER CONSOLE, BELOW FUSE PANEL / CENTER FUSE PANEL
LB54	20-WAY MULTILOCK 40 (BLUE)	MOUNTED RIGHT OF CENTER CONSOLE CHEEK / PASSENGER SEAT SWITCH PACK
LB57	12-WAY MULTILOCK 40 (BLACK)	BELOW A/C CASE, RIGHT, NEAR A/C ECM / BULKHEAD HARNESS
LB60	48-WAY AMP PCB SIGNAL (YELLOW)	BEHIND GLOVE BOX ON CPU / CENTRAL MICROPROCESSOR
LB61	48-WAY AMP PCB SIGNAL (BLACK)	BEHIND GLOVE BOX ON CPU / CENTRAL MICROPROCESSOR
LB81A	12-WAY MULTILOCK 40 (BLUE)	RIGHT BLOWER MOTOR, ABOVE VACUUM VALVE / RIGHT SPLICE BOX
LB81B	16-WAY MULTILOCK 40 (BLUE)	RIGHT BLOWER MOTOR, ABOVE VACUUM VALVE / RIGHT SPLICE BOX
LB82	20-WAY MULTILOCK 40 (BLACK)	RIGHT 'A' POST BOX SECTION / BULKHEAD HARNESS
LB87	20-WAY MULTILOCK 40 (GREEN)	REAR FACE OF RIGHT BLOWER, UNDER FASCIA / BULKHEAD TO RF HARNESS
PD1	12-WAY MULTILOCK 70 (WHITE)	PASSENGER'S DOOR, BOTTOM OF SWITCH PACK / PASSENGER'S DOOR HARNESS
RRD1	12-WAY MULTILOCK 70 (WHITE)	RR DOOR, BOTTOM OF SWITCH PACK / RR DOOR HARNESS
RRD9	12-WAY MULTILOCK 40 (BLACK)	RIGHT 'B/C' POST BOX SECTION, BY SEAT BELT / RR HARNESS
SC1	6-WAY PMHD (BLACK)	STEERING COLUMN SWITCH GEAR, LEFT / FASCIA DIMMER CONTROL
SC7	6-WAY PMHD (GREEN)	STEERING COLUMN SWITCH GEAR, LEFT / LIGHTING SWITCH GEAR
SC8	6-WAY PMHD (PURPLE)	STEERING COLUMN SWITCH GEAR, RIGHT / KEY IN SWITCH

## GROUND

CODE	DESCRIPTION	LOCATION / INTERFACE
LBG13A	WHITE EYELET	ABOVE LEFT FUSE PANEL ON 'A' POST / GROUND
LBG39A	WHITE EYELET	CENTER CONSOLE GROUND STUD BEHIND 'J' GATE / GROUND
LBG39B	WHITE EYELET	CENTER CONSOLE GROUND STUD BEHIND 'J' GATE / GROUND
LBG39C	WHITE EYELET	CENTER CONSOLE GROUND STUD BEHIND 'J' GATE / GROUND
LBG84B	WHITE EYELET	ABOVE RIGHT FUSE PANEL ON 'A' POST / GROUND
LSG54B	WHITE EYELET	TRUNK, LEFT, BELOW BULB FAIL MODULE / GROUND
RSG62C	WHITE EYELET	TRUNK, RIGHT, BELOW BULB FAIL MODULE / GROUND

## INPUTS / OUTPUTS

### COLUMN SWITCH GEAR (DIMMER)

CODE	IN / OUT	CIRCUIT	ACTIVE	INACTIVE
SC1-1	OUTPUT	DIMMER OUTPUT	MAXIMUM BRIGHTNESS: 12V	MINIMUM BRIGHTNESS: 3.4V
SC1-2	OUTPUT	SIDE LIGHTS	LIGHTS ON: GROUND	LIGHTS OFF: 12V
SC1-3	INPUT	BATTERY POWER	12V	12V
SC1-5	OUTPUT	DIMMER OVERRIDE	DIMMER LATCHED: 12V	UNLATCHED: OPEN CIRCUIT
SC1-6	OUTPUT	DIMMER	LIGHTS ON: GROUND	LIGHTS OFF: 12V
SC7-1	OUTPUT	INSTRUMENT PACK LIGHTING	LIGHTS ON: 10V	LIGHTS OFF: OPEN CIRCUIT
SC7-2	INPUT	IGNITION SWITCHED GROUND	GROUND	GROUND
SC8-5	INPUT	POWER GROUND	GROUND	GROUND

### CENTER CONSOLE

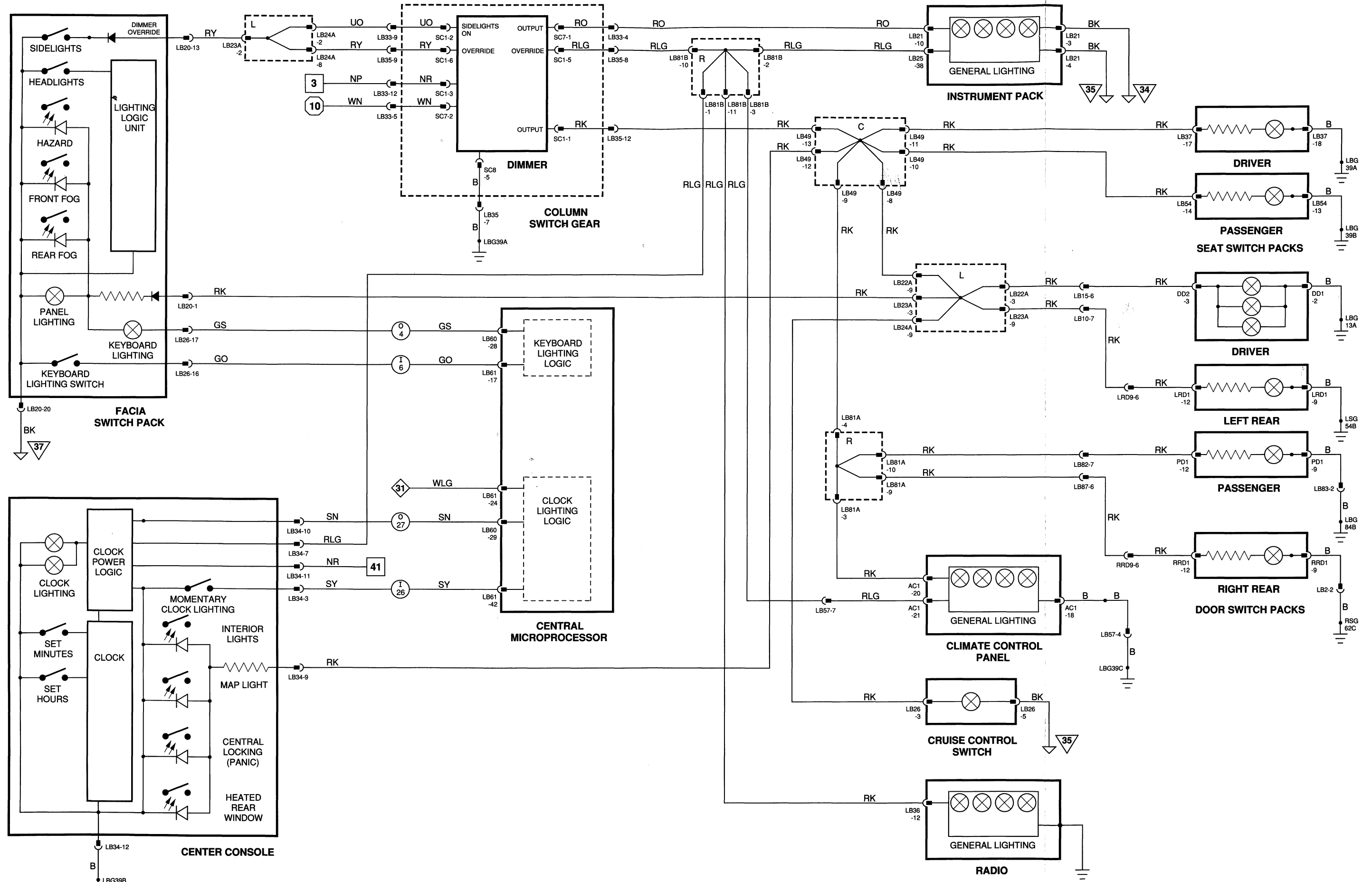
CODE	IN / OUT	CIRCUIT	ACTIVE	INACTIVE
LB34-3	OUTPUT	MOMENTARY CLOCK LIGHTING	BUTTON PRESSED: GROUND	BUTTON RELEASED: OPEN CIRCUIT
LB34-7	INPUT	CLOCK ILLUMINATION / DIMMER	LIGHTS ON / DIMMER LATCHED: 12V	LIGHTS / DIMMER ON: MIN. 3V
LB34-9	INPUT	CENTER CONSOLE LOCATE ILLUMINATION	LIGHTS ON / DIMMER LATCHED: 12V	LIGHTS / DIMMER ON: MIN. 3V
LB34-10	INPUT	CLOCK ILLUMINATION	KEY ON: 12V	KEY OFF: OPEN CIRCUIT
LB34-11	INPUT	BATTERY POWER	12V	12V
LB34-12	INPUT	POWER GROUND	GROUND	GROUND

### CENTRAL MICROPROCESSOR

CODE	CIRCUIT	ACTIVE	INACTIVE
6 LB61-17	TRIP COMPUTER KEYBOARD ILLUMINATION	SWITCH HELD IN: GROUND	SWITCH RELEASED: OPEN CIRCUIT
LB61-24	IGNITION SWITCHED POWER	KEY ON: 12V	KEY OFF: OPEN CIRCUIT
26 LB61-42	CLOCK ILLUMINATION SWITCH	SWITCH PRESSED: GROUND	SWITCH RELEASED: OPEN CIRCUIT

### OUTPUTS

CODE	CIRCUIT	ACTIVE	INACTIVE
4 LB60-28	TRIP COMPUTER KEYBOARD ILLUMINATION	LIGHTS ON: GROUND	LIGHTS OFF: 12V
27 LB60-29	CLOCK ILLUMINATION POWER	12V	12V



BATTERY POWER (FIGS 1/L, 1/R)
  IGNITION POWER (FIG 2)
  IGNITION SWITCHED GROUND (FIG 3)
  LOGIC GROUND (FIG 4)
  CPU INPUTS / OUTPUTS (FIG 5)
  FIG NUMBER REFERENCE

NOTE: CIGAR LIGHTERS — FIG 17; TRANS. MODE SWITCH, GEAR POSITION INDICATORS — FIG 33

# FIG 12 DATA

## COMPONENTS

DESCRIPTION	LOCATION	ACCESS
COLUMN SWITCH GEAR (CYCLE SWITCH)	STEERING COLUMN	LEFT DASH UNDER PANEL
COOLANT TEMPERATURE SENSOR	TURN SIGNAL SWITCH STALK END BUTTON	—
FUEL LEVEL SENSOR	THERMOSTAT HOUSING — ENGINE	ENGINE COMPARTMENT
INSTRUMENT PACK	FUEL TANK	BEHIND SPARE TIRE, TRUNK
OIL PRESSURE SENSOR	DRIVER'S SIDE FASCIA	—
TRIP COMPUTER KEYBOARD	ENGINE, LEFT, BELOW INTAKE	ENGINE COMPARTMENT
	RIGHT FASCIA BY STEERING WHEEL	—

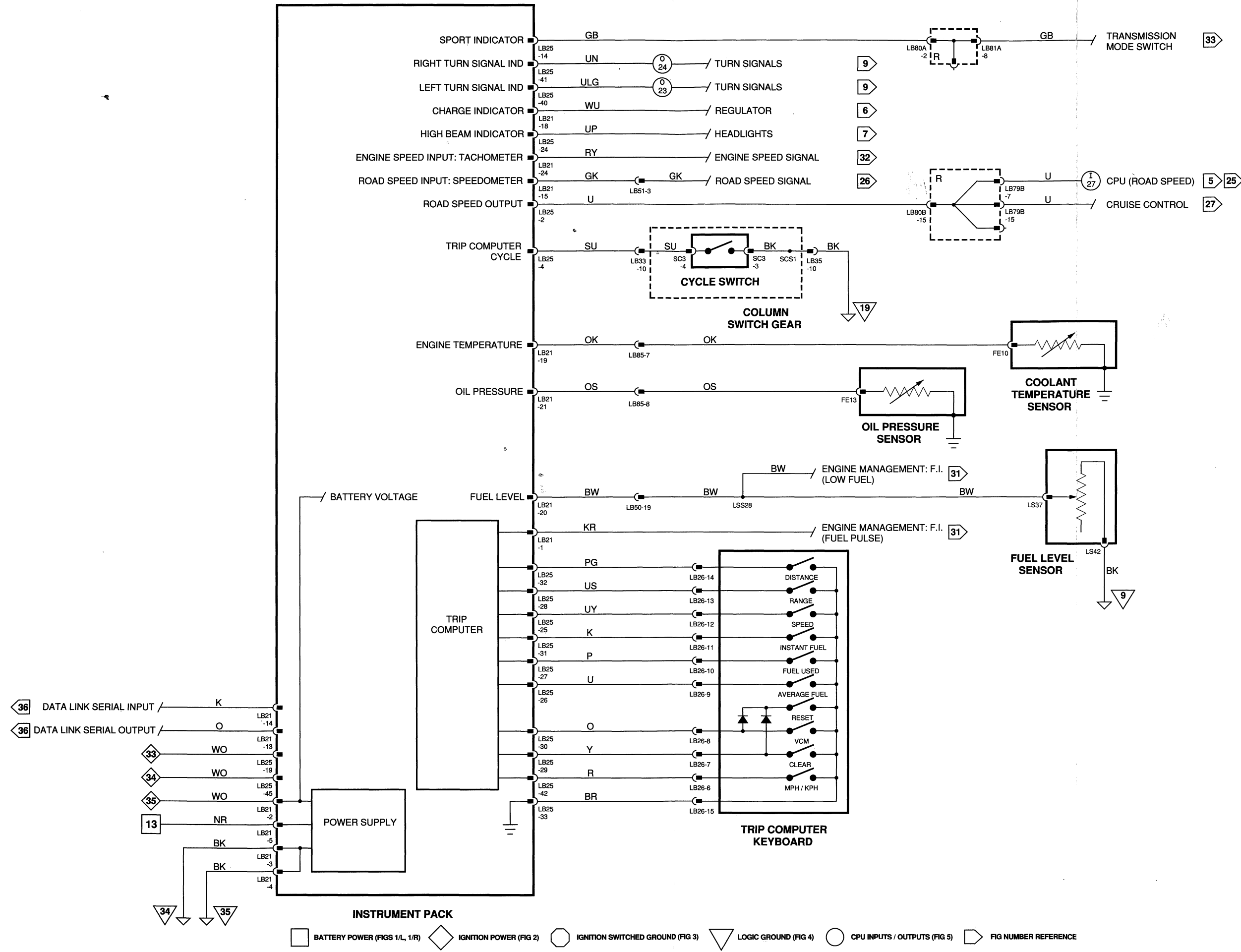
## CONNECTORS

CODE	DESCRIPTION	LOCATION / INTERFACE
FE10	.250 BLADE (WHITE)	MOUNTED ON THERMOSTAT HOUSING NEAR TOP HOSE / COOLANT TRANSMITTER
FE13	.250 BLADE (WHITE)	BELOW INTAKE PORT #2 / OIL PRESSURE TRANSMITTER
LB21	24-WAY AMP PCB SIGNAL (BLACK)	BEHIND INSTRUMENT PACK AT FASCIA / INSTRUMENT PACK
LB25	48-WAY AMP PCB SIGNAL (BLACK)	BEHIND INSTRUMENT PACK AT FASCIA / INSTRUMENT PACK
LB26	18-WAY MULTILOCK 70 (YELLOW)	REAR OF TRIP COMPUTER BY STEERING COLUMN / TRIP COMPUTER
LB33	12-WAY MULTILOCK 40 (GREEN)	LOWER RIGHT OF STEERING COLUMN / STEERING COLUMN CYCLE SWITCH
LB35	12-WAY MULTILOCK 40 (BLACK)	LOWER RIGHT OF STEERING COLUMN / STEERING COLUMN SWITCH GEAR
LB50	20-WAY MULTILOCK 40 (BLACK)	BENEATH LEFT REAR SEAT BOX SECTION / REAR HARNESS
LB51	12-WAY MULTILOCK 70 (WHITE)	BENEATH LEFT REAR SEAT BOX SECTION / REAR HARNESS
LB79B	16-WAY MULTILOCK 40 (BLACK)	RIGHT BLOWER MOTOR, ABOVE VACUUM VALVE / RIGHT SPLICE BOX
LB80B	16-WAY MULTILOCK 40 (GREEN)	RIGHT BLOWER MOTOR, ABOVE VACUUM VALVE / RIGHT SPLICE BOX
LB85	20-WAY MULTILOCK 70 (WHITE)	RIGHT DASH UNDER PANEL BY 'A' POST / BULKHEAD HARNESS
LS37	.250 BLADE (WHITE)	FUEL SENDER UNIT BEHIND SPARE TIRE / FUEL LEVEL TRANSMITTER
LS42	.250 BLADE (WHITE)	FUEL SENDER UNIT BEHIND SPARE TIRE / FUEL LEVEL TRANSMITTER GROUND
SC3	6-WAY PMHD (BLUE)	STEERING COLUMN SWITCH GEAR, LEFT / TURN SIGNAL SWITCH

## INPUTS / OUTPUTS

### INSTRUMENT PACK

CODE	IN / OUT	CIRCUIT	ACTIVE	INACTIVE
LB21-1	INPUT	FUEL PULSE CALCULATION	IDLE: 8V	INCREASES WITH ENGINE LOAD & RPM
LB21-2	INPUT	IGNITION SWITCHED POWER	KEY ON: 12V	KEY OFF: OPEN CIRCUIT
LB21-3	INPUT	LOGIC GROUND	GROUND	GROUND
LB21-4	INPUT	LOGIC GROUND	GROUND	GROUND
LB21-5	INPUT	BATTERY POWER	12V	12V
LB21-13	OUTPUT	SERIAL COMMUNICATIONS DATA LINK OUTPUT	JDS	—
LB21-14	OUTPUT	SERIAL COMMUNICATIONS DATA LINK OUTPUT	JDS	—
LB21-15	INPUT	ROAD SPEED	10 MPH: 105 MV AC	20 MPH: 210 MV AC
LB21-18	INPUT	VOLTAGE REGULATOR	LIGHTS ON: GROUND	LIGHTS OFF: 12V
LB21-19	INPUT	COOLANT TEMPERATURE SENSOR	LIGHTS ON: GROUND	SENSOR DISCONNECTED: 12V
LB21-20	INPUT	FUEL LEVEL TRANSMITTER	TANK FULL: GROUND	TANK EMPTY: 12V
LB21-21	INPUT	ENGINE OIL PRESSURE	LIGHT ON: 7V	LIGHT OFF: 5V
LB21-24	INPUT	ENGINE SPEED (TACHOMETER)	PULSED SIGNAL	VARIABLES WITH RPM
LB25-2	OUTPUT	ROAD SPEED	0 MPH: 5V	10 MPH: 2.7V / PULSE TO GROUND
LB25-4	INPUT	TRIP COMPUTER CYCLE SWITCH	SWITCH RELEASED: 12V	PRESSED: GROUND
LB25-14	INPUT	TRANSMISSION MODE SWITCH	SPORT: GROUND	NORMAL / DELETE: 12V
LB25-19	INPUT	IGNITION SWITCHED POWER	KEY ON: 12V	KEY OFF: OPEN CIRCUIT
LB25-24	INPUT	HIGH BEAM INDICATOR	HIGH BEAMS ON: GROUND	OFF: 12V
LB25-25	INPUT	TRIP COMPUTER: AVERAGE SPEED	PRESSED: GROUND	RELEASED: 12V
LB25-26	INPUT	TRIP COMPUTER: AVERAGE FUEL MPG	PRESSED: GROUND	RELEASED: 12V
LB25-27	INPUT	TRIP COMPUTER: FUEL USED	PRESSED: GROUND	RELEASED: 12V
LB25-28	INPUT	TRIP COMPUTER: RANGE	PRESSED: GROUND	RELEASED: 12V
LB25-29	INPUT	TRIP COMPUTER: CLEAR DISPLAY	PRESSED: GROUND	RELEASED: 12V
LB25-30	INPUT	TRIP COMPUTER: RESET	PRESSED: GROUND	RELEASED: 12V
LB25-31	INPUT	TRIP COMPUTER: INSTANT FUEL USE	PRESSED: GROUND	RELEASED: 12V
LB25-32	INPUT	TRIP COMPUTER: DISTANCE TRAVELED	PRESSED: GROUND	RELEASED: 12V
LB25-33	INPUT	TRIP COMPUTER: GROUND	GROUND	GROUND
LB25-40	INPUT	LEFT TURN SIGNAL	PULSE TO GROUND	12V
LB25-41	INPUT	RIGHT TURN SIGNAL	PULSE TO GROUND	12V
LB25-42	INPUT	TRIP COMPUTER: MPH/KPH	PRESSED: GROUND	RELEASED: 12V
LB25-45	INPUT	IGNITION SWITCHED POWER	KEY ON: 12V	KEY OFF: OPEN CIRCUIT



# FIG 13 DATA

## COMPONENTS

DESCRIPTION	LOCATION	ACCESS
BRAKE PAD — LEFT REAR	BRAKE DISC, LR	LR WHEEL, BENEATH VEHICLE
BRAKE PAD — RIGHT REAR	BRAKE DISC, RR	RR WHEEL, BENEATH VEHICLE
BRAKE SWITCH	ABOVE BRAKE PEDAL	LEFT DASH UNDER PANEL
CENTRAL MICROPROCESSOR	BEHIND GLOVE BOX	RIGHT DASH UNDER PANEL
DIODE — LBD1	EXPOSED IN BULK. HARNESS BEHIND INST. PACK	8" BEHIND INST. PACK CONNECTOR LB25
ENGINE COOLANT LEVEL SENSOR	COOLANT RESERVOIR, LEFT INNER FENDER	ENGINE COMPARTMENT
HAND BRAKE SWITCH	BENEATH HAND BRAKE	CARPET/TRIM
INSTRUMENT PACK	DRIVER'S SIDE FASCIA	—
TRUNK SWITCH	—	—
WASHER FLUID LEVEL SENSOR	RIGHT FRONT WHEEL ARCH BEHIND PANEL	WHEEL ARCH PANEL

## CONNECTORS

CODE	DESCRIPTION	LOCATION / INTERFACE
FA1	GROTE AND HARTMAN (BLACK)	LEFT FRONT INNER WHEEL ARCH / LEFT FRONT AXLE HARNESS
HL1	.250 BLADE (WHITE)	BENEATH HAND BRAKE / HAND BRAKE MICRO SWITCH
LB10	20-WAY MULTILOCK 40 (BLACK)	REAR FACE OF LEFT BLOWER, UNDER FASCIA / BULKHEAD TO LF HARNESS
LB11	20-WAY MULTILOCK 40 (BLUE)	REAR FACE OF LEFT BLOWER, UNDER FASCIA / BULKHEAD TO LF HARNESS
LB21	24-WAY AMP PCB SIGNAL (BLACK)	BEHIND INSTRUMENT PACK AT FASCIA / INSTRUMENT PACK
LB22A	12-WAY MULTILOCK 40 (BLACK)	LEFT BLOWER MOTOR HOUSING BRACKET / LEFT SPLICE BOX
LB23A	12-WAY MULTILOCK 40 (BLUE)	LEFT BLOWER MOTOR HOUSING BRACKET / LEFT SPLICE BOX
LB24A	12-WAY MULTILOCK 40 (GREEN)	LEFT BLOWER MOTOR HOUSING BRACKET / LEFT SPLICE BOX
LB24B	16-WAY MULTILOCK 40 (GREEN)	LEFT BLOWER MOTOR HOUSING BRACKET / LEFT SPLICE BOX
LB25	48-WAY AMP PCB SIGNAL (BLACK)	BEHIND INSTRUMENT PACK AT FASCIA / INSTRUMENT PACK
LB29	4-WAY MULTILOCK 70 (WHITE)	LOWER STEERING COLUMN, ABOVE BRAKE PEDAL / BRAKE/CRUISE SWITCH
LB41	2-WAY MULTILOCK 40 (BLACK)	BENEATH HAND BRAKE LEVER / HAND BRAKE MICRO SWITCH
LB42	10-WAY MULTILOCK 70 (WHITE)	FRONT OF DRIVER'S SEAT BY SEAT AND MIRRORS ECM / BULKHEAD TO SEAT HARNESS
LB48	13-WAY AMP MK4 (BROWN)	CENTER CONSOLE, BELOW FUSE PANEL / CENTER FUSE PANEL
LB50	20-WAY MULTILOCK 40 (BLACK)	BENEATH LEFT REAR SEAT BOX SECTION / REAR HARNESS
LB51	12-WAY MULTILOCK 70 (WHITE)	BENEATH LEFT REAR SEAT BOX SECTION / REAR HARNESS
LB52	12-WAY MULTILOCK 70 (BLACK)	BENEATH RIGHT REAR SEAT BOX SECTION / REAR HARNESS
LB53	12-WAY MULTILOCK 70 (WHITE)	BENEATH RIGHT REAR SEAT BOX SECTION / REAR HARNESS
LB60	48-WAY AMP PCB SIGNAL (YELLOW)	BEHIND GLOVE BOX ON CPU / CENTRAL MICROPROCESSOR
LB61	48-WAY AMP PCB SIGNAL (BLACK)	BEHIND GLOVE BOX ON CPU / CENTRAL MICROPROCESSOR
LB79A	12-WAY MULTILOCK 40 (BLACK)	RIGHT BLOWER MOTOR, ABOVE VACUUM VALVE / RIGHT SPLICE BOX
LB87	20-WAY MULTILOCK 40 (GREEN)	REAR FACE OF RIGHT BLOWER, UNDER FASCIA / BULKHEAD TO RF HARNESS
LS15	PM 5 (BLACK)	LEFT INNER FENDER BY COOLANT RESERVOIR / COOLANT LEVEL SENSOR
LS67	PM 5 (BROWN)	LEFT FRONT INNER FENDER / LF BRAKE PAD SENSOR
RA2	GROTE AND HARTMAN (BLACK)	RIGHT REAR AXLE / BENEATH RR OF VEHICLE
RS13	4-WAY ECONOSEAL III LC (BLACK)	RF WHEEL ARCH, BEHIND PANEL / WINDSHIELD WASH FLUID LEVEL SENSOR
RS47	8-WAY MULTILOCK 70 (WHITE)	TRUNK, RIGHT, BEHIND BATTERY / REAR HARNESS
RS52	GROTE AND HARTMAN (BLACK)	BEHIND TRUNK LID TRIM PANEL / TRUNK MICRO SWITCH
DSM8	2-WAY MULTILOCK 70 (BLACK)	BENEATH DRIVER'S SEAT CUSHION / DRIVER'S SEAT BELT SWITCH

## INPUTS / OUTPUTS

### INSTRUMENT PACK

CODE	IN / OUT	CIRCUIT	ACTIVE	INACTIVE
LB21-2	INPUT	IGNITION SWITCHED POWER	KEY ON: 12V	KEY OFF: OPEN CIRCUIT
LB21-3	INPUT	LOGIC GROUND	GROUND	GROUND
LB21-4	INPUT	LOGIC GROUND	GROUND	GROUND
LB21-5	INPUT	BATTERY POWER	12V	12V
LB21-7	INPUT	ABS FAILURE	FAULT PRESENT: GROUND	5V
LB21-13	OUTPUT	SERIAL COMMUNICATIONS DATA LINK OUTPUT	JDS	—
LB21-14	INPUT	SERIAL COMMUNICATIONS DATA LINK INPUT	JDS	—
LB25-7	OUTPUT	BRAKE PAD SUPPLY	12V	12V
LB25-8	INPUT	LOW BRAKE PRESSURE	LIGHT ON: GROUND	LIGHT OFF: 12V
LB25-10	INPUT	LOW BRAKE FLUID	LIGHT ON: GROUND	LIGHT OFF: 12V
LB25-11	INPUT	STOP LIGHTS	BRAKES APPLIED: GROUND	BRAKES OFF: 12V
LB25-12	INPUT	FUSE FAIL — CENTER FUSE PANEL	FUSE FAIL: 1.5V	FUSES O.K.: 9V
LB25-13	INPUT	LOW WASHER FLUID LEVEL	LIGHT ON: GROUND	LIGHT OFF: 12V
LB25-15	INPUT	SEAT BELT	LIGHT ON: GROUND	LIGHT OFF: 12V
LB25-16	INPUT	TRUNK OPEN	LIGHT ON: GROUND	LIGHT OFF: 12V
LB25-17	INPUT	PARKING BRAKE	LIGHT ON: GROUND	LIGHT OFF: 12V
LB25-18	INPUT	TURN SIGNAL BULB FAIL	LIGHT ON: GROUND	LIGHT OFF: 12V
LB25-19	INPUT	IGNITION SWITCHED POWER	KEY ON: 12V	KEY OFF: OPEN CIRCUIT
LB25-20	INPUT	LEFT REAR DOOR OPEN	DOOR OPEN: GROUND	DOOR CLOSED: 12V
LB25-21	INPUT	RIGHT REAR DOOR OPEN	DOOR OPEN: GROUND	DOOR CLOSED: 12V
LB25-22	INPUT	OBD FUELING FAULT	FAULT PRESENT: GROUND	NO FAULTS: 12V
LB25-34	INPUT	BRAKE PAD WEAR SENSOR	PAD WORN: GROUND	PAD O.K.: 12V
LB25-35	INPUT	FUSE FAIL — RIGHT FUSE PANEL	FUSE FAIL: 1.5V	FUSES O.K.: 9V
LB25-36	INPUT	FUSE FAIL — LEFT FUSE PANEL	FUSE FAIL: 1.5V	FUSES O.K.: 9V
LB25-37	INPUT	LOW COOLANT LEVEL	SENSOR DISCONNECTED: 12V	SENSOR CONNECTED: GROUND
LB25-43	INPUT	GENERAL BULB FAILURE	BULB FAILURE: GROUND	BULBS O.K.: 12V
LB25-44	INPUT	TRANSMISSION ELECTRICS FAILURE	FAILURE PRESENT: 12V	NO FAILURE: OPEN CIRCUIT
LB25-45	INPUT	IGNITION SWITCHED POWER	KEY ON: 12V	KEY OFF: OPEN CIRCUIT
LB25-46	INPUT	DRIVER'S DOOR OPEN	DOOR OPEN: GROUND	DOOR CLOSED: 12V
LB25-47	INPUT	PASSENGER'S DOOR OPEN	DOOR OPEN: GROUND	DOOR CLOSED: 12V

### CENTRAL MICROPROCESSOR

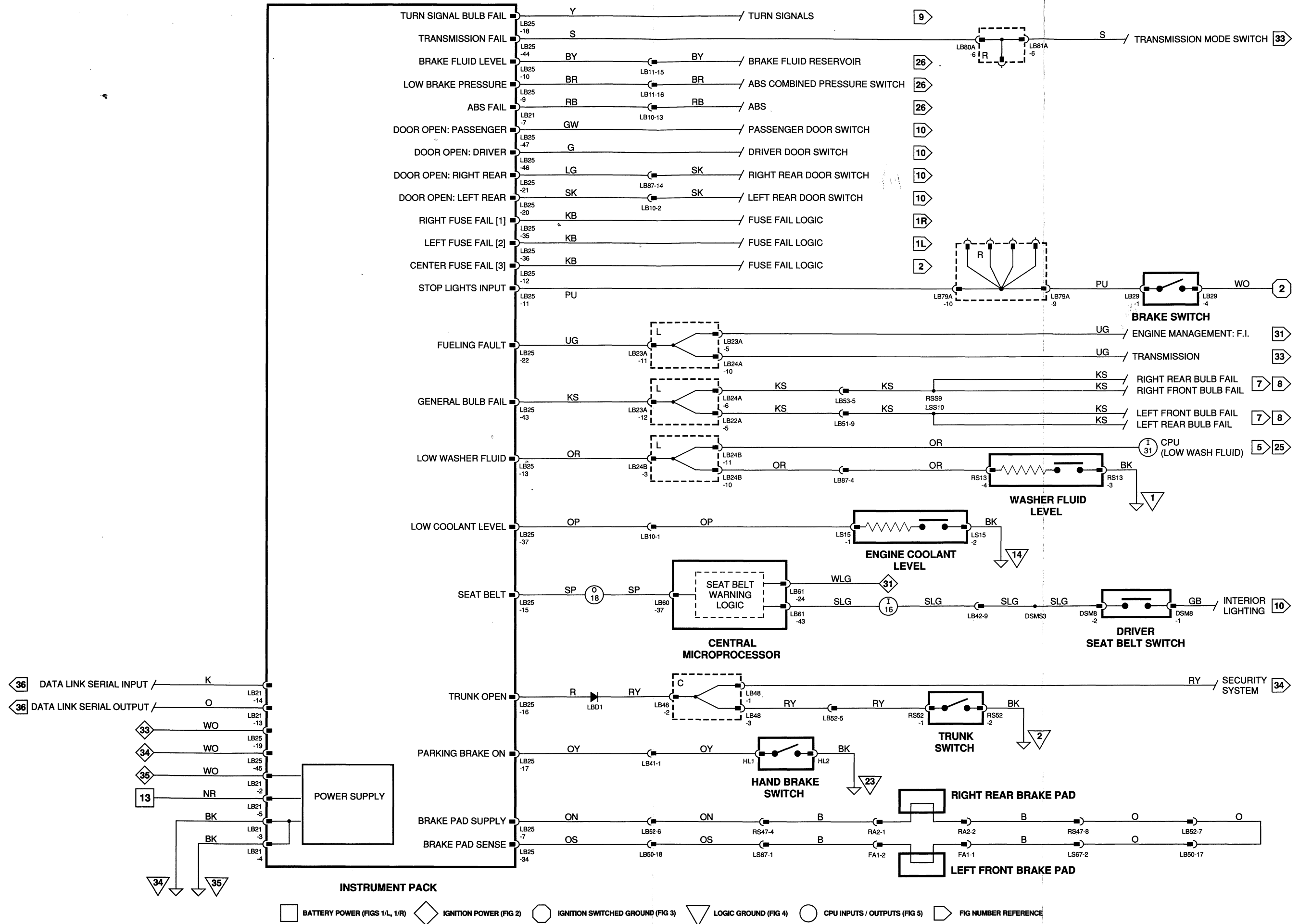
#### INPUTS

CODE	CIRCUIT	ACTIVE	INACTIVE
LB61-24	IGNITION SWITCHED POWER	KEY ON: 12V	KEY OFF: OPEN CIRCUIT
LB61-43	SEAT BELT WARNING	SEAT BELT UNLATCHED: GROUND	BELT LATCHED: OPEN CIRCUIT

#### OUTPUTS

CODE	CIRCUIT	ACTIVE	INACTIVE
LB60-37	SEAT BELT WARNING INDICATOR (KEY ON)	5-SEC WARNING LIGHT ON: GROUND	WARNING LIGHT OFF: 12V





# FIG 14 DATA

## COMPONENTS

DESCRIPTION	LOCATION	ACCESS
CENTRAL MICROPROCESSOR	BEHIND GLOVE BOX	RIGHT DASH UNDER PANEL
COLUMN SWITCH GEAR (KEY-IN SWITCH)	STEERING COLUMN	LEFT DASH UNDER PANEL
(SPEAKER)	IGNITION SWITCH	STEERING COLUMN LOWER COWL
(TURN SIGNAL SWITCHES)	STEERING COLUMN ABOVE IGNITION SWITCH	STEERING COLUMN LOWER
DOOR SWITCH — DRIVER	STEERING COLUMN, LEFT	—
FASCIA SWITCH PACK	DRIVER'S DOOR LATCH	DRIVER'S DOOR CASING
SEAT BELT SWITCH — DRIVER	FASCIA	—
	DRIVER'S SEAT BELT ANCHOR	LEFT SIDE

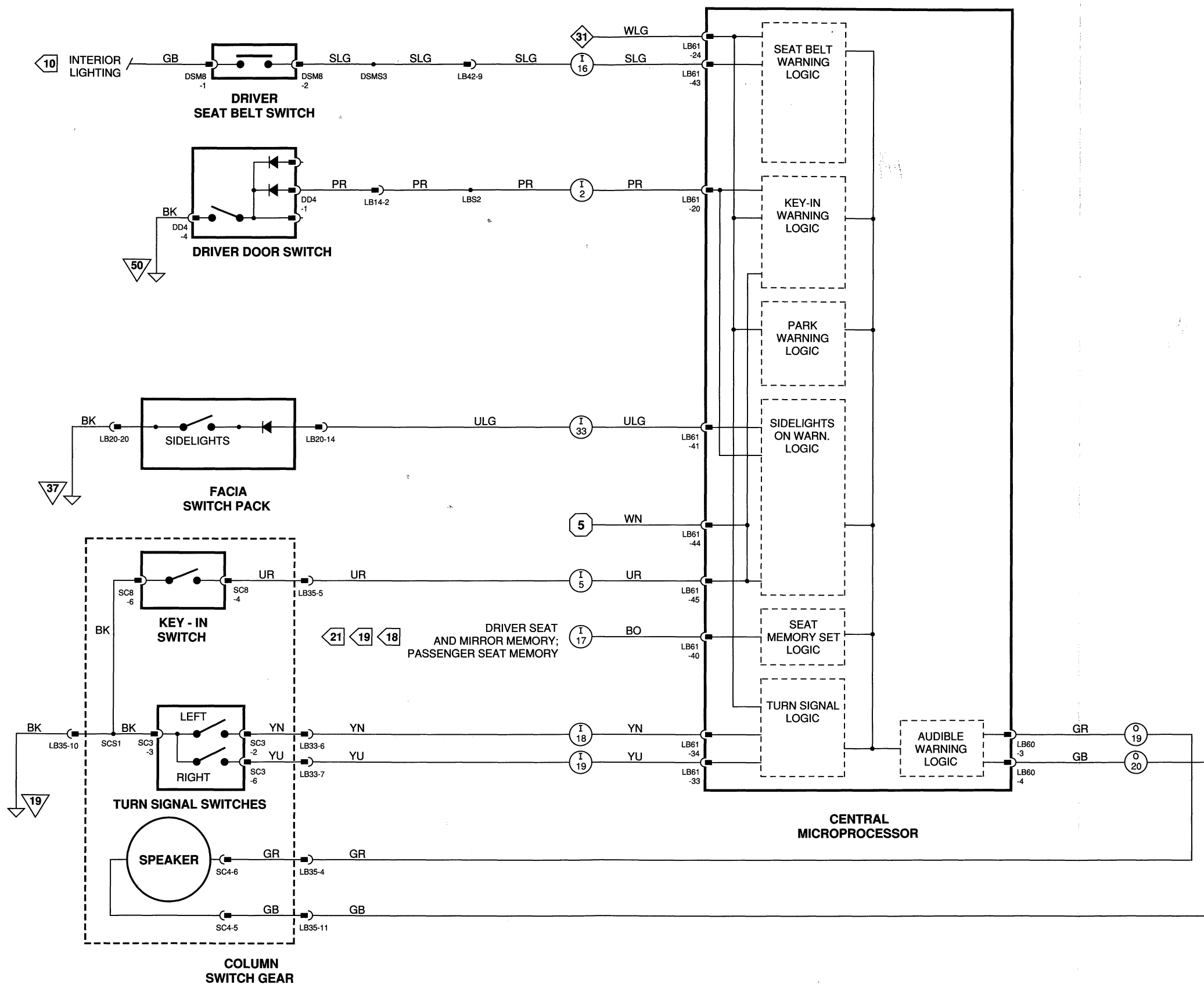
## CONNECTORS

CODE	DESCRIPTION	LOCATION / INTERFACE
DD4	4-WAY ECONOSEAL III LC (BLACK)	DRIVER'S DOOR, BOTTOM REAR / DRIVER'S DOOR SWITCH
LB14	20-WAY MULTILOCK 40 (GREEN)	LEFT 'A' POST BOX SECTION / BULKHEAD HARNESS
LB20	20-WAY MULTILOCK 40 (BLUE)	LEFT DASH UNDER PANEL, BELOW FASCIA / FASCIA SWITCH PACK
LB33	12-WAY MULTILOCK 40 (GREEN)	LOWER RIGHT OF STEERING COLUMN / STEERING COLUMN CYCLE SWITCH
LB35	12-WAY MULTILOCK 40 (BLACK)	LOWER RIGHT OF STEERING COLUMN / STEERING COLUMN SWITCH GEAR
LB42	10-WAY MULTILOCK 70 (WHITE)	FRONT OF DRIVER'S SEAT BY SEAT AND MIRRORS ECM / BULKHEAD TO SEAT HARNESS
LB60	48-WAY AMP PCB SIGNAL (YELLOW)	BEHIND GLOVE BOX ON CPU / CENTRAL MICROPROCESSOR
LB61	48-WAY AMP PCB SIGNAL (BLACK)	BEHIND GLOVE BOX ON CPU / CENTRAL MICROPROCESSOR
SC3	6-WAY PMHD (BLUE)	STEERING COLUMN SWITCH GEAR, LEFT / TURN SIGNAL SWITCH
SC4	6-WAY PMHD (BROWN)	STEERING COLUMN SWITCH GEAR, RIGHT / AUDIBLE WARNING SPEAKER
SC8	6-WAY PMHD (PURPLE)	STEERING COLUMN SWITCH GEAR, RIGHT / KEY IN SWITCH
DSM8	2-WAY MULTILOCK 70 (BLACK)	BENEATH DRIVER'S SEAT CUSHION / DRIVER'S SEAT BELT SWITCH

## INPUTS / OUTPUTS

### CENTRAL MICROPROCESSOR

INPUTS		ACTIVE	INACTIVE
CODE	CIRCUIT		
2 LB61-20	DRIVER'S DOOR SWITCH	DOOR OPEN: GROUND	DOOR CLOSED: 5V
5 LB61-45	IGNITION KEY IN SWITCH	KEY IN: GROUND	KEY OFF: OPEN CIRCUIT
LB61-44	IGNITION SWITCH AUX; ON		BELT LATCHED: OPEN CIRCUIT
LB61-24	IGNITION SWITCHED POWER	KEY ON: 12V	BUTTONS RELEASED: OPEN CIRCUIT
16 LB61-43	SEAT BELT WARNING	SEAT BELT UNLATCHED: GROUND	TURN STALK CENTERED: OPEN CIRCUIT
17 LB61-40	SEAT MEMORY AUDIBLE TONE	MEMORY POS. 1 OR 2: GROUNDS TO TONE	TURN STALK CENTERED: OPEN CIRCUIT
18 LB61-34	LEFT TURN SIGNAL SWITCH	LEFT TURN: GROUND	
19 LB61-33	RIGHT TURN SIGNAL SWITCH	RIGHT TURN: GROUND	
OUTPUTS		ACTIVE	INACTIVE
CODE	CIRCUIT		
19 LB60-3	AUDIBLE WARNINGS (KEY ON)	PULSES TO GROUND	TURN SIGNALS ON: EXAMPLE .012 - .021V
20 LB60-4	AUDIBLE WARNINGS (KEY ON)	PULSES TO GROUND	TURN SIGNALS ON: EXAMPLE .012 - .021V



# FIG 15 DATA

## COMPONENTS

DESCRIPTION	LOCATION	ACCESS
CENTER CONSOLE	BETWEEN DRIVER / PASSENGER SEAT	—
CENTRAL MICROPROCESSOR	BEHIND GLOVE BOX	RIGHT DASH UNDER PANEL
DOOR LOCK SWITCH — DRIVER	DRIVER'S DOOR	DRIVER'S DOOR CASING
DOOR LOCK SWITCH — PASSENGER	PASSENGER'S DOOR	PASSENGER'S DOOR CASING
KEY BARREL SWITCH — DRIVER	DRIVER'S DOOR, LOWER REAR	DRIVER'S DOOR CASING
KEY BARREL SWITCH — PASSENGER	PASSENGER'S DOOR, LOWER REAR	PASSENGER'S DOOR CASING
LOCK ACTUATOR — DRIVER DOOR	DRIVER'S DOOR, ABOVE PUDDLE LIGHT	DRIVER'S DOOR CASING
LOCK ACTUATOR — FUEL FILLER FLAP	FUEL FILLER FLAP	LEFT REAR TRUNK TRIM
LOCK ACTUATOR — LEFT REAR DOOR	LR DOOR, ABOVE PUDDLE LIGHT	LEFT REAR DOOR CASING
LOCK ACTUATOR — PASSENGER DOOR	PASSENGER'S DOOR, ABOVE PUDDLE LIGHT	PASSENGER'S DOOR CASING
LOCK ACTUATOR — RIGHT REAR DOOR	RR DOOR, ABOVE PUDDLE LIGHT	RIGHT REAR DOOR CASING
LOCK ACTUATOR — TRUNK	TRUNK LID	TRUNK LID TRIM
RELAY MODULE G (G1 — UNLOCK RELAY) (G2 — LOCK RELAY)	RIGHT DASH UNDER PANEL	RIGHT DASH UNDER PANEL
RELAY MODULE I (L2 — TRUNK RELEASE RELAY)	RIGHT REAR WHEEL ARCH	RIGHT TRUNK TRIM
TRUNK RELEASE ACTUATOR	TRUNK LID	TRUNK LID TRIM
TRUNK RELEASE ISOLATION SWITCH	TRUNK LID	TRUNK LID TRIM
TRUNK RELEASE SWITCH	GLOVE BOX	—

## CONNECTORS

CODE	DESCRIPTION	LOCATION / INTERFACE
DD3	6-WAY ECONOSEAL III LC (BLACK)	DRIVER'S DOOR, ABOVE PUDDLE LIGHT / DRIVER'S DOOR LOCK MOTOR
DD9	2-WAY ECONOSEAL III LC (BLACK)	DRIVER'S DOOR, BOTTOM REAR / KEY BARREL SWITCH
LB10	20-WAY MULTILOCK 40 (BLACK)	REAR FACE OF LEFT BLOWER, UNDER FASCIA / BULKHEAD TO LF HARNESS
LB11	20-WAY MULTILOCK 40 (BLUE)	REAR FACE OF LEFT BLOWER, UNDER FASCIA / BULKHEAD TO LF HARNESS
LB12	20-WAY MULTILOCK 40 (BLACK)	LEFT 'A' POST BOX SECTION / BULKHEAD HARNESS
LB34	12-WAY MULTILOCK 40 (GREEN)	BEHIND CENTER CONSOLE CLOCK / CENTER CONSOLE SWITCH PANEL
LB40	2-WAY MULTILOCK 40 (GREEN)	BEHIND GLOVE BOX / TRUNK RELEASE SWITCH
LB53	12-WAY MULTILOCK 70 (WHITE)	BENEATH RIGHT REAR SEAT BOX SECTION / BULKHEAD TO REAR HARNESS
LB60	48-WAY AMP PCB SIGNAL (YELLOW)	BEHIND GLOVE BOX ON CPU / CENTRAL MICROPROCESSOR
LB61	48-WAY AMP PCB SIGNAL (BLACK)	BEHIND GLOVE BOX ON CPU / CENTRAL MICROPROCESSOR
LB70	20-WAY AMP PCB POWER (BLUE)	RELAY MOUNTING BRACKET BELOW GLOVE BOX / RELAY MODULE G
LB79A	12-WAY MULTILOCK 40 (BLACK)	RIGHT BLOWER MOTOR, ABOVE VACUUM VALVE / RIGHT SPLICE BOX
LB79B	16-WAY MULTILOCK 40 (BLACK)	RIGHT BLOWER MOTOR, ABOVE VACUUM VALVE / RIGHT SPLICE BOX
LB80A	12-WAY MULTILOCK 40 (GREEN)	RIGHT BLOWER MOTOR, ABOVE VACUUM VALVE / RIGHT SPLICE BOX
LB80B	16-WAY MULTILOCK 40 (GREEN)	RIGHT BLOWER MOTOR, ABOVE VACUUM VALVE / RIGHT SPLICE BOX
LB81A	12-WAY MULTILOCK 40 (BLUE)	RIGHT BLOWER MOTOR, ABOVE VACUUM VALVE / RIGHT SPLICE BOX
LB81B	16-WAY MULTILOCK 40 (BLUE)	RIGHT BLOWER MOTOR, ABOVE VACUUM VALVE / RIGHT SPLICE BOX
LB82	20-WAY MULTILOCK 40 (BLACK)	RIGHT BLOWER MOTOR, ABOVE VACUUM VALVE / RIGHT SPLICE BOX
LB88	20-WAY MULTILOCK 40 (BLACK)	RIGHT BLOWER MOTOR, ABOVE VACUUM VALVE / RIGHT SPLICE BOX
LRD3	2-WAY ECONOSEAL III LC (BLACK)	RIGHT 'A' POST BOX SECTION / BULKHEAD HARNESS
LRD9	12-WAY MULTILOCK 40 (BLACK)	REAR FACE OF RIGHT BLOWER, UNDER FASCIA / BULKHEAD TO RF HARNESS
LS41	PM 5 (BLACK)	LR DOOR, ABOVE PUDDLE LIGHT CASING / LR DOOR LOCK MOTOR
PD3	6-WAY ECONOSEAL III LC (BLACK)	LEFT 'B/C' POST BOX SECTION BY SEAT BELT / LR HARNESS
PD9	2-WAY ECONOSEAL III LC (BLACK)	BELOW FUEL FILLER FLAP IN TRUNK / FUEL FILLER FLAP SOLENOID
RRD3	2-WAY ECONOSEAL III LC (BLACK)	PASSENGER'S DOOR, ABOVE PUDDLE LIGHT / PASSENGER'S DOOR LOCK MOTOR
RRD9	12-WAY MULTILOCK 40 (BLACK)	PASSENGER'S DOOR, BOTTOM REAR / KEY BARREL SWITCH
RS42	20-WAY AMP PCB POWER (BLACK)	RR DOOR, ABOVE PUDDLE LIGHT CASING / RR DOOR LOCK MOTOR
RS53	4-WAY MULTILOCK 40 (BLACK)	RIGHT 'B/C' POST BOX SECTION, BY SEAT BELT / RR HARNESS
RS75	2-WAY LABINAL (BROWN)	BEHIND AND LEFT OF ANTENNA MOTOR / RELAY MODULE I
		BEHIND TRUNK LID TRIM PANEL / TRUNK MOTOR/ISOLATION SWITCH
		BEHIND TRUNK LID TRIM PANEL / TRUNK RELEASE ACTUATOR

## GROUND

CODE	DESCRIPTION	LOCATION / INTERFACE
LBG84A	WHITE EYELET	ABOVE RIGHT FUSE PANEL ON 'A' POST / GROUND
LSG54B	WHITE EYELET	TRUNK, LEFT, BELOW BULB FAIL MODULE / GROUND
RSG62B	WHITE EYELET	TRUNK, RIGHT, BELOW BULB FAIL MODULE / GROUND

## INPUTS / OUTPUTS

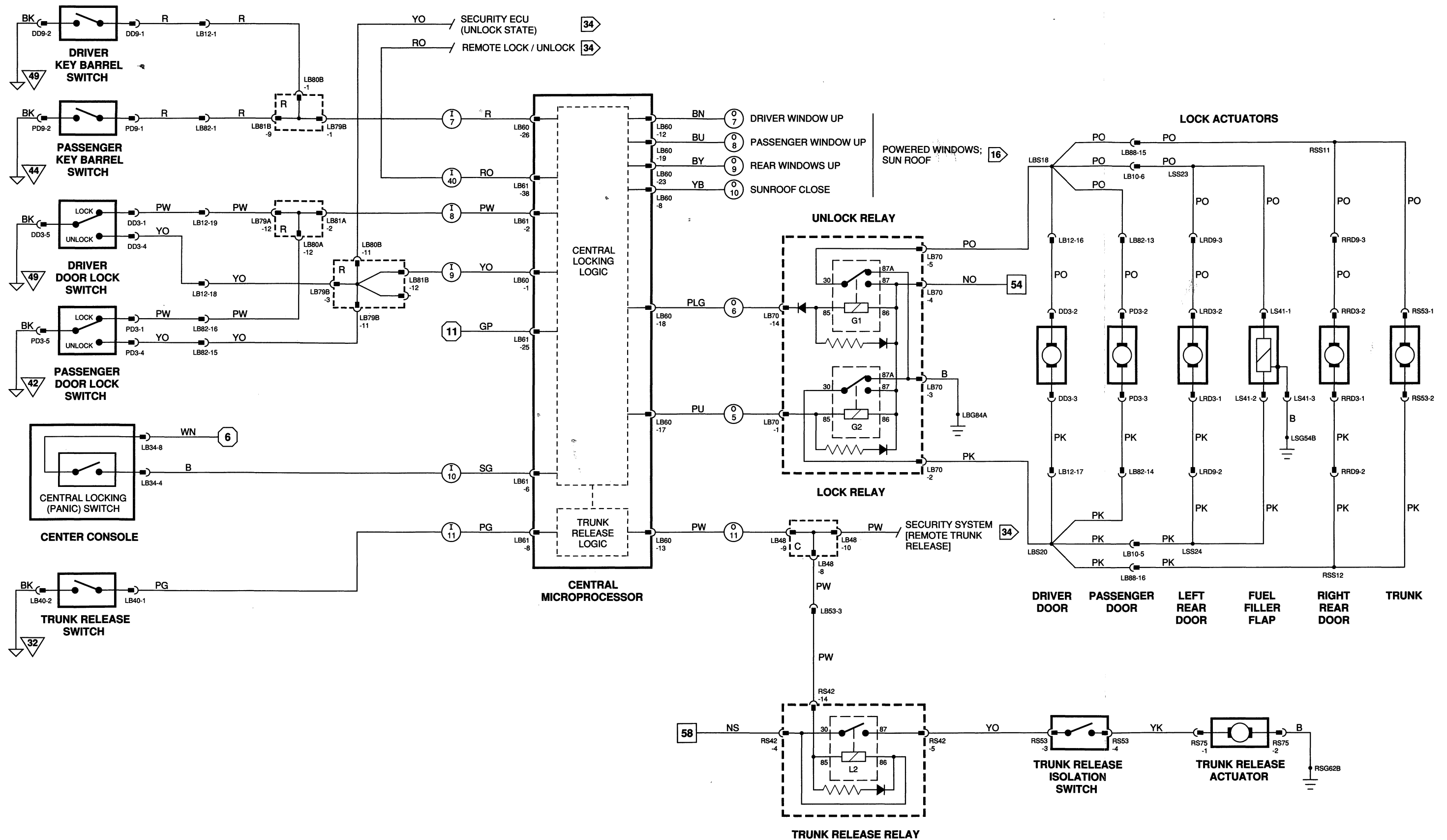
### CENTRAL MICROPROCESSOR

#### INPUTS

CODE	CIRCUIT	ACTIVE	INACTIVE
7 LB60-26	DOOR KEY BARREL SWITCHES	KEY TO LOCK POSITION: GROUND	KEY OUT: OPEN CIRCUIT
8 LB61-2	DOOR LOCK STATE	DOORS LOCKED: GROUND	DOORS UNLOCKED: OPEN CIRCUIT
9 LB60-1	DOOR UNLOCK STATE	DOORS UNLOCKED: GROUND	DOORS LOCKED: OPEN CIRCUIT
LB61-25	INERTIA SWITCH (KEY ON)	SWITCH UP: GROUND	SWITCH DOWN: OPEN CIRCUIT
10 LB61-6	PANIC (ALL LOCK/CLOSED SWITCH)(KEY ON)	SWITCH PRESSED: GROUND	SWITCH RELEASED: OPEN CIRCUIT
11 LB61-8	TRUNK RELEASE SWITCH	SWITCH PRESSED: GROUND	SWITCH RELEASED: OPEN CIRCUIT
40 LB61-38	REMOTE LOCK / UNLOCK	TO UNLOCK: PULSE TO GROUND	5V

#### OUTPUTS

CODE	CIRCUIT	ACTIVE	INACTIVE
5 LB60-17	DOOR LOCK OUTPUT	TO LOCK: PULSE TO GROUND	12V
6 LB60-18	DOOR UNLOCK OUTPUT	TO UNLOCK: PULSE TO GROUND	12V
7 LB60-12	DRIVER'S WINDOW UP (KEY ON)	CLOSE: GROUND	12V
8 LB60-19	PASSENGER'S WINDOW UP (KEY ON)	CLOSE: GROUND	12V
9 LB60-23	REAR WINDOWS UP (KEY ON)	CLOSE: GROUND	12V
10 LB60-8	SUN ROOF CLOSE (KEY ON)	CLOSE: GROUND	12V
11 LB60-13	TRUNK RELEASE	SWITCH PRESSED: GROUND	SWITCH RELEASED: 12V



# FIG 16 DATA

## COMPONENTS

DESCRIPTION	LOCATION	ACCESS
CENTER CONSOLE	BETWEEN DRIVER / PASSENGER SEAT	—
CENTRAL MICROPROCESSOR	BEHIND GLOVE BOX	RIGHT DASH UNDER PANEL
DOOR SWITCH PACK — DRIVER	DRIVER'S DOOR	DRIVER'S DOOR LOWER CASING
DOOR SWITCH PACK — LEFT REAR	LEFT REAR DOOR	LEFT REAR DOOR LOWER CASING
DOOR SWITCH PACK — PASSENGER	PASSENGER'S DOOR	PASSENGER'S DOOR LOWER CASING
DOOR SWITCH PACK — RIGHT REAR	RIGHT REAR DOOR	RIGHT REAR DOOR LOWER CASING
KEY BARREL SWITCH — DRIVER	DRIVER DOOR, LOWER REAR	DRIVER'S DOOR CASING
KEY BARREL SWITCH — PASSENGER	PASSENGER'S DOOR, LOWER REAR	PASSENGER'S DOOR CASING
SWITCH PACK — SUNROOF	SUNROOF	HEADLINER

## CONNECTORS

CODE	DESCRIPTION	LOCATION / INTERFACE
DD1	8-WAY MULTILOCK 70 (WHITE)	DRIVER'S DOOR, BOTTOM OF SWITCH PACK / DRIVER'S DOOR HARNESS
DD2	20-WAY MULTILOCK 40 (BLACK)	DRIVER'S DOOR SWITCH PACK, NEAR FRONT OF DOOR / DRIVER'S DOOR SWITCH PACK
DD5	PM 5 (BLACK)	DRIVER'S DOOR, TOP / DRIVER'S WINDOW MOTOR
DD9	2-WAY ECONOSEAL III LC (BLACK)	DRIVER'S DOOR, BOTTOM REAR / KEY BARREL SWITCH
LB2	4-WAY MULTILOCK 70 (WHITE)	LEFT 'A' POST BOX SECTION / BULKHEAD HARNESS
LB10	20-WAY MULTILOCK 40 (BLACK)	REAR FACE OF LEFT BLOWER, UNDER FASCIA / BULKHEAD TO LF HARNESS
LB12	20-WAY MULTILOCK 40 (BLACK)	LEFT 'A' POST BOX SECTION / BULKHEAD HARNESS
LB14	20-WAY MULTILOCK 40 (GREEN)	LEFT 'A' POST BOX SECTION / BULKHEAD HARNESS
LB18	4-WAY MULTILOCK 70 (YELLOW)	ABOVE MAP LIGHT IN HEADLINER / SUN ROOF SWITCH PACK
LB22B	16-WAY MULTILOCK 40 (BLACK)	LEFT BLOWER MOTOR HOUSING BRACKET / LEFT SPLICE BOX
LB24B	16-WAY MULTILOCK 40 (GREEN)	LEFT BLOWER MOTOR HOUSING BRACKET / LEFT SPLICE BOX
LB34	12-WAY MULTILOCK 40 (GREEN)	BEHIND CENTER CONSOLE CLOCK / CENTER CONSOLE SWITCH PANEL
LB60	48-WAY AMP PCB SIGNAL (YELLOW)	BEHIND GLOVE BOX ON CPU / CENTRAL MICROPROCESSOR
LB61	48-WAY AMP PCB SIGNAL (BLACK)	BEHIND GLOVE BOX ON CPU / CENTRAL MICROPROCESSOR
LB79B	16-WAY MULTILOCK 40 (BLACK)	RIGHT BLOWER MOTOR, ABOVE VACUUM VALVE / RIGHT SPLICE BOX
LB80B	16-WAY MULTILOCK 40 (GREEN)	RIGHT BLOWER MOTOR, ABOVE VACUUM VALVE / RIGHT SPLICE BOX
LB81B	16-WAY MULTILOCK 40 (BLUE)	RIGHT BLOWER MOTOR, ABOVE VACUUM VALVE / RIGHT SPLICE BOX
LB82	20-WAY MULTILOCK 40 (BLACK)	RIGHT 'A' POST BOX SECTION / BULKHEAD HARNESS
LB83	6-WAY MULTILOCK 70 (WHITE)	RIGHT 'A' POST BOX SECTION / BULKHEAD HARNESS
LB87	20-WAY MULTILOCK 40 (GREEN)	REAR FACE OF RIGHT BLOWER, UNDER FASCIA / BULKHEAD TO RF HARNESS
LRD1	12-WAY MULTILOCK 70 (WHITE)	LR DOOR, BOTTOM OF SWITCH PACK / LR DOOR HARNESS
LRD5	PM 5 (BLACK)	LR DOOR, FRONT OF DOOR / LR WINDOW MOTOR
PD1	12-WAY MULTILOCK 70 (WHITE)	PASSENGER'S DOOR, BOTTOM OF SWITCH PACK / PASSENGER'S DOOR HARNESS
PD6	PM 5 (BLACK)	PASSENGER'S DOOR, TOP / PASSENGER'S WINDOW MOTOR
PD9	2-WAY ECONOSEAL III LC (BLACK)	PASSENGER'S DOOR, BOTTOM REAR / KEY BARREL SWITCH
RRD1	12-WAY MULTILOCK 70 (WHITE)	RR DOOR, BOTTOM OF SWITCH PACK / RR DOOR HARNESS
RRD5	PM 5 (BLACK)	RR DOOR, FRONT OF DOOR / RR WINDOW MOTOR
RRD9	12-WAY MULTILOCK 40 (BLACK)	RIGHT 'B/C' POST BOX SECTION, BY SEAT BELT / RR HARNESS
RRD10	2-WAY MULTILOCK 70 (WHITE)	RIGHT 'B/C' POST BOX SECTION, BY SEAT BELT / RR HARNESS
SR1	4-WAY MULTILOCK 70 (WHITE)	ABOVE MAP LIGHT IN ROOF PANEL / SUN ROOF HARNESS
SR2	2-WAY MULTILOCK 70 (WHITE)	ABOVE MAP LIGHT IN ROOF PANEL / SUN ROOF HARNESS

## GROUND

CODE	DESCRIPTION	LOCATION / INTERFACE
LBG13A	WHITE EYELET	ABOVE LEFT FUSE PANEL ON 'A' POST / GROUND
LBG84B	WHITE EYELET	ABOVE RIGHT FUSE PANEL ON 'A' POST / GROUND
LSG54B	WHITE EYELET	TRUNK, LEFT, BELOW BULB FAIL MODULE / GROUND
RS62C	WHITE EYELET	TRUNK, RIGHT, BELOW BULB FAIL MODULE / GROUND

## INPUTS / OUTPUTS

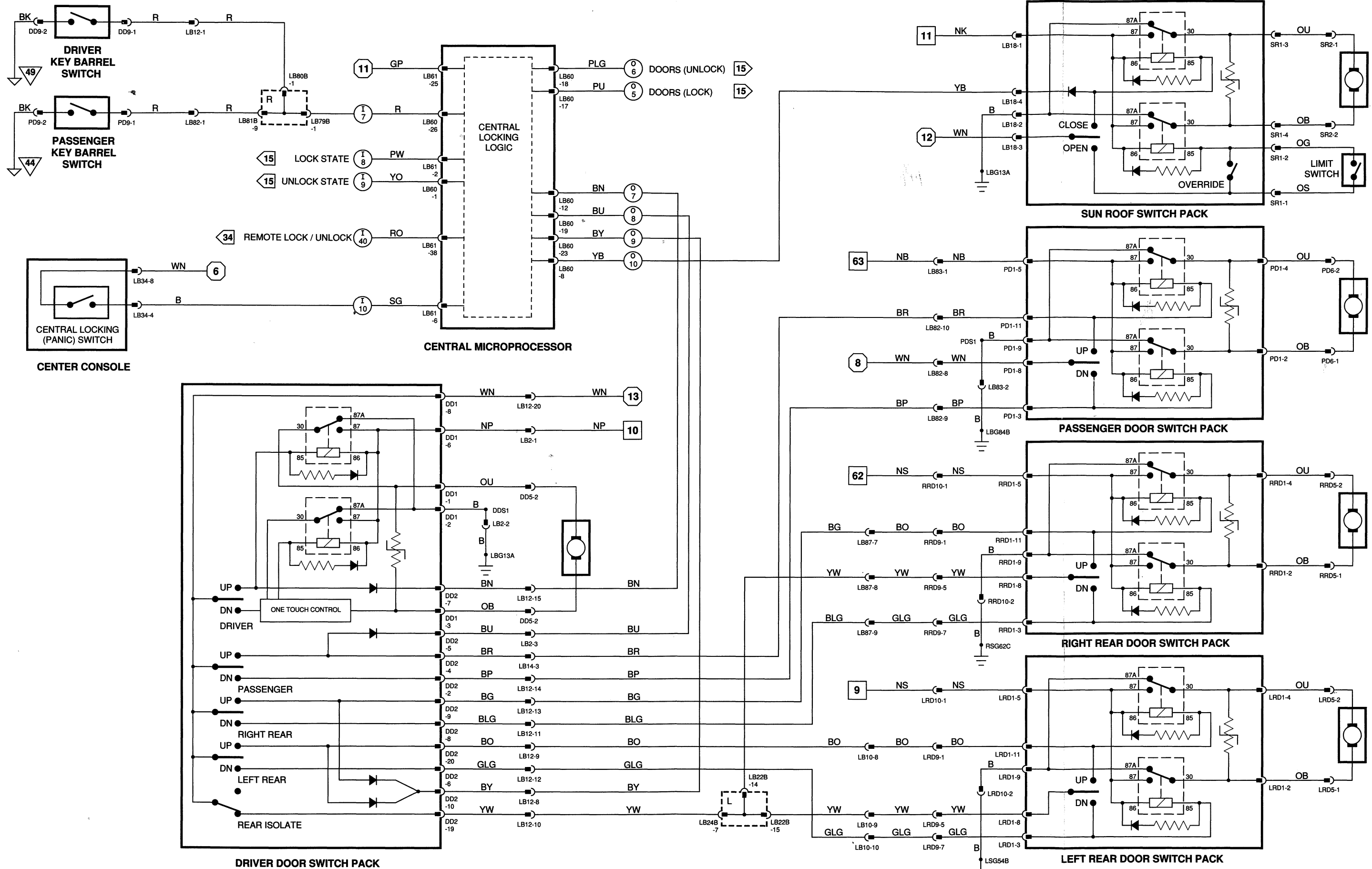
### CENTRAL MICROPROCESSOR

#### INPUTS

CODE	CIRCUIT	ACTIVE	INACTIVE
7 LB80-26	DOOR KEY BARREL SWITCHES	KEY TO LOCK POSITION: GROUND	KEY OUT: OPEN CIRCUIT
8 LB81-2	DOOR LOCK STATE	DOORS LOCKED: GROUND	DOORS UNLOCKED: OPEN CIRCUIT
9 LB80-1	DOOR UNLOCK STATE	DOORS UNLOCKED: GROUND	DOORS LOCKED: OPEN CIRCUIT
LB81-25	INERTIA SWITCH (KEY ON)	SWITCH UP: GROUND	SWITCH DOWN: OPEN CIRCUIT
10 LB81-6	PANIC (ALL LOCK/CLOSED SWITCH)(KEY ON)	SWITCH PRESSED: GROUND	SWITCH RELEASED: OPEN CIRCUIT
40 LB81-38	REMOTE LOCK / UNLOCK	TO UNLOCK: PULSE TO GROUND	5V

#### OUTPUTS

CODE	CIRCUIT	ACTIVE	INACTIVE
5 LB80-17	DOOR LOCK OUTPUT	TO LOCK: PULSE TO GROUND	12V
6 LB80-18	DOOR UNLOCK OUTPUT	TO UNLOCK: PULSE TO GROUND	12V
7 LB80-12	DRIVER'S WINDOW UP (KEY ON)	CLOSE: GROUND	12V
8 LB80-19	PASSENGER'S WINDOW UP (KEY ON)	CLOSE: GROUND	12V
9 LB80-23	REAR WINDOWS UP (KEY ON)	CLOSE: GROUND	12V
10 LB80-8	SUN ROOF CLOSE (KEY ON)	CLOSE: GROUND	12V



BATTERY POWER (FIGS 1/L, 1/R)
  IGNITION POWER (FIG 2)
  IGNITION SWITCHED GROUND (FIG 3)
  LOGIC GROUND (FIG 4)
  CPU INPUTS / OUTPUTS (FIG 5)
  FIG NUMBER REFERENCE

# FIG 17 DATA

## COMPONENTS

DESCRIPTION	LOCATION	ACCESS
CIGAR LIGHTER — FRONT	FRONT OF CENTER CONSOLE IN ASHTRAY	—
CIGAR LIGHTER — REAR	REAR OF CENTER CONSOLE IN ASHTRAY	—
COLUMN SWITCH GEAR (HORN SWITCHES)	STEERING COLUMN	LEFT DASH UNDER PANEL
DIODE — LSD5	EXPOSED IN LEFT SIDE FRONT HARNESS	—
GLOVE BOX LIGHT	GLOVE BOX	BEHIND LEFT HEADLIGHT
GLOVE BOX SWITCH	GLOVE BOX	—
HOOD LIGHTS	UNDER HOOD PANEL	ENGINE COMPARTMENT
HOOD SWITCH	ABOVE LEFT HEADLIGHT	ENGINE COMPARTMENT
HORN — LEFT	LEFT BUMPER	—
HORN — RIGHT	RIGHT BUMPER	—
RELAY MODULE D (D3 — HORN RELAY)	BEHIND RIGHT HEADLIGHT	ENGINE COMPARTMENT
RELAY MODULE H (H2 — SIDE LIGHTS POSITIVE RELAY) (H3 — AUXILIARY SIDE LIGHTS RELAY) (H4 — CIGAR LIGHTER RELAY)	RIGHT DASH UNDER PANEL	RIGHT DASH UNDER PANEL
TELEPHONE CONNECTOR	BELOW TRUNK SWITCH, RIGHT REAR HINGE	RIGHT TRUNK TRIM
TRAILER CONNECTOR	ADJACENT TO RIGHT REAR BULB FAIL. MODULE	RIGHT TRUNK TRIM

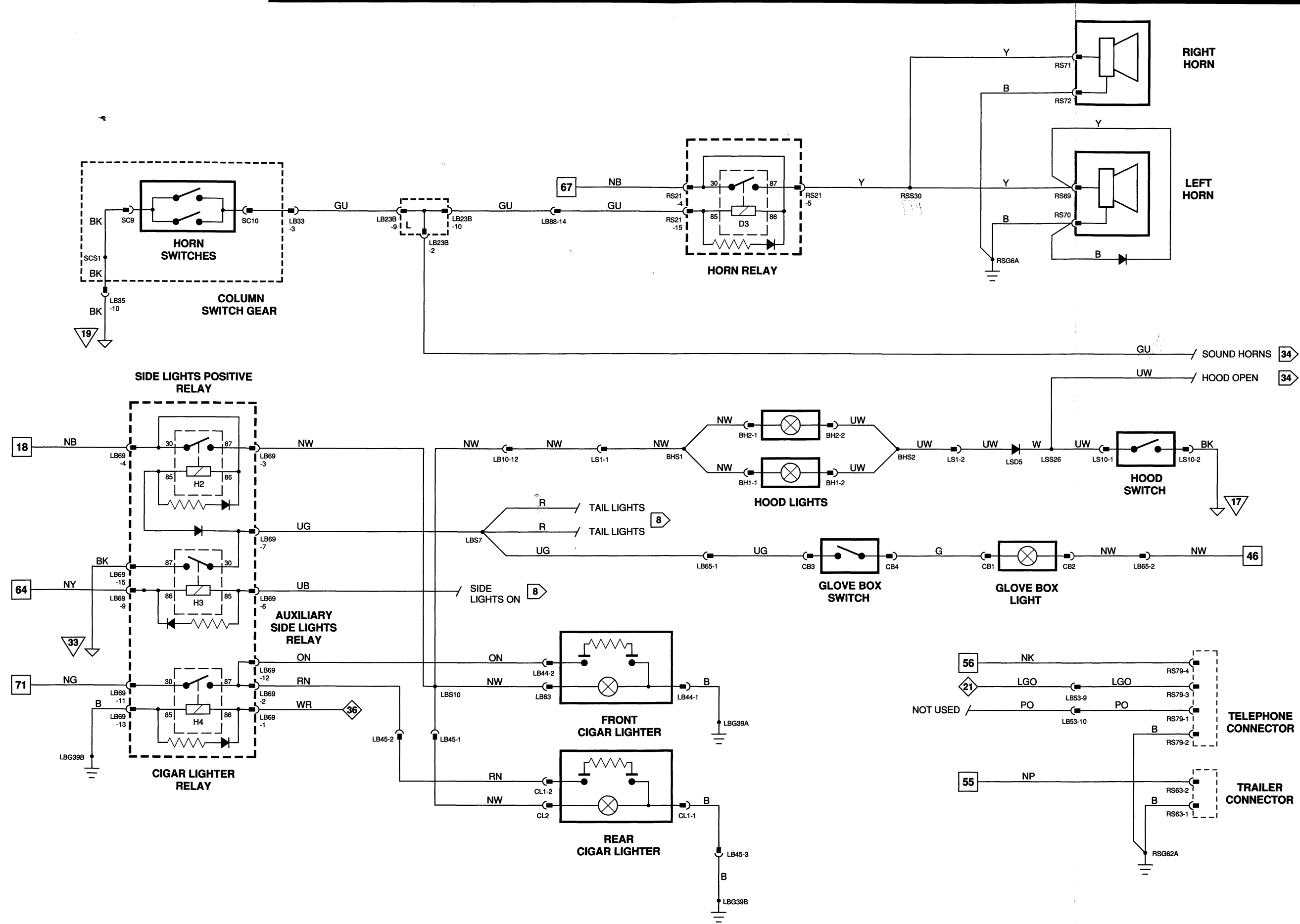
## CONNECTORS

CODE	DESCRIPTION	LOCATION / INTERFACE
BH1	2-WAY SUMITOMO 'A' (WHITE)	FIXED TO RIGHT INSIDE OF HOOD / UNDER HOOD LIGHTS
BH2	2-WAY SUMITOMO 'A' (WHITE)	FIXED TO LEFT INSIDE OF HOOD / UNDER HOOD LIGHTS
CB1	.250 BLADE (BLACK)	CONNECTED TO GLOVE BOX LIGHT / GLOVE BOX LIGHT
CB2	.250 BLADE (BLACK)	CONNECTED TO GLOVE BOX LIGHT / GLOVE BOX LIGHT
CB3	.250 BLADE (BLACK)	CONNECTED TO GLOVE BOX LIGHT SWITCH / GLOVE BOX LIGHT SWITCH
CB4	.250 BLADE (BLACK)	CONNECTED TO GLOVE BOX LIGHT SWITCH / GLOVE BOX LIGHT SWITCH
CL1	.250 BLADE (BLACK)	CENTER CONSOLE, REAR, BEHIND END PANEL / REAR CIGAR LIGHTER
CL2	.250 BLADE (BLACK)	CENTER CONSOLE, REAR, BEHIND END PANEL / REAR CIGAR LIGHTER
LB10	20-WAY MULTILOCK 40 (BLACK)	REAR FACE OF LEFT BLOWER, UNDER FASCIA / BULKHEAD TO LF HARNESS
LB23B	16-WAY MULTILOCK 40 (BLUE)	LEFT BLOWER MOTOR HOUSING BRACKET / LEFT SPLICE BOX
LB33	12-WAY MULTILOCK 40 (GREEN)	LOWER RIGHT OF STEERING COLUMN / STEERING COLUMN CYCLE SWITCH
LB35	12-WAY MULTILOCK 40 (BLACK)	LOWER RIGHT OF STEERING COLUMN / STEERING COLUMN SWITCH GEAR
LB44	.250 BLADE (BLACK)	BENEATH FRONT CIGAR LIGHTER / FRONT CIGAR LIGHTER
LB45	6-WAY MULTILOCK 70 (WHITE)	CENTER CONSOLE, BELOW ASHTRAY / SECURITY SYSTEM VALET SWITCH
LB53	12-WAY MULTILOCK 70 (WHITE)	BENEATH RIGHT REAR SEAT BOX SECTION / BULKHEAD TO REAR HARNESS
LB54	20-WAY MULTILOCK 40 (BLUE)	MOUNTED RIGHT OF CENTER CONSOLE CHEEK / PASSENGER SEAT SWITCH PACK
LB63	.250 BLADE (BLACK)	BENEATH FRONT CIGAR LIGHTER / CIGAR LIGHTER LOCATE ILLUMINATION
LB65	2-WAY MULTILOCK 40 (BLACK)	BEHIND INSPECTION PANEL IN GLOVE BOX / BULKHEAD HARNESS
LB69	20-WAY AMP PCB POWER (YELLOW)	RELAY MOUNTING BRACKET BELOW GLOVE BOX / RELAY MODULE H
LB88	20-WAY MULTILOCK 40 (BLACK)	REAR FACE OF RIGHT BLOWER, UNDER FASCIA / BULKHEAD TO RF HARNESS
LS1	SUMITOMO 'A' (WHITE)	ABOVE LEFT HEADLIGHT INSIDE HOOD / LEFT HOOD HARNESS
LS10	PM 5 (BLACK)	ADJACENT TO LF BULB FAIL MODULE / HOOD OPEN SWITCH
RS21	20-WAY AMP PCB POWER (RED)	BEHIND RIGHT HEADLIGHT / RELAY MODULE D
RS63	2-WAY ECONOSEAL III HC (BLACK)	BY RR BULB FAIL MODULE / TRAILER CONNECTION
RS69	.250 BLADE (BLACK)	LF BUMPER / LEFT HORN
RS70	.250 BLADE (BLACK)	LF BUMPER / LEFT HORN
RS71	.250 BLADE (BLACK)	RF BUMPER / RIGHT HORN
RS72	.250 BLADE (BLACK)	RF BUMPER / RIGHT HORN
RS79	4-WAY MULTILOCK 70 (WHITE)	BELOW TRUNK SWITCH AT RR HINGE / TELEPHONE CONNECTION
SC9	.187 BLADE (WHITE)	STEERING COLUMN SWITCH GEAR, RIGHT / HORN BUTTON
SC10	.187 BLADE (WHITE)	STEERING COLUMN SWITCH GEAR, RIGHT / HORN BUTTON

## GROUNDS

CODE	DESCRIPTION	LOCATION / INTERFACE
LBG39A	WHITE EYELET	CENTER CONSOLE GROUND STUD BEHIND 'J' GATE / GROUND
LBG39B	WHITE EYELET	CENTER CONSOLE GROUND STUD BEHIND 'J' GATE / GROUND
RSG6A	WHITE EYELET	ENGINE COMPARTMENT, RF, ADJACENT TO WASHER RESERVOIR / GROUND
RSG62A	WHITE EYELET	TRUNK, RIGHT, BELOW BULB FAIL MODULE / GROUND





  BATTERY POWER (FIGS 1/L, 1/R)  
   IGNITION POWER (FIG 2)  
   IGNITION SWITCHED GROUND (FIG 3)  
  LOGIC GROUND (FIG 4)  
   CPU INPUTS / OUTPUTS (FIG 5)  
  FIG NUMBER REFERENCE

# FIG 18 DATA

## COMPONENTS

### DESCRIPTION

DOOR SWITCH PACK — DRIVER  
 DOOR SWITCH — DRIVER  
 LUMBAR SWITCH — DRIVER  
 SEAT AND MIRRORS ECM — DRIVER  
 SEAT LUMBAR PUMP — DRIVER  
 SEAT SWITCH PACK — DRIVER  
 SEAT MOTORS — DRIVER

### LOCATION

DRIVER'S DOOR  
 DRIVER'S DOOR LATCH  
 CENTER CONSOLE, LEFT SIDE  
 FLOOR, FRONT OF DRIVER'S SEAT  
 DRIVER'S SEAT BACK  
 CENTER CONSOLE, LEFT SIDE  
 DRIVER'S SEAT

### ACCESS

DRIVER'S DOOR LOWER CASING  
 DRIVER'S DOOR CASING  
 —  
 FLOOR TRIM PANEL  
 —  
 CENTER CONSOLE  
 BENEATH SEAT CUSHION

## CONNECTORS

### CODE

### DESCRIPTION

DD2 20-WAY MULTILOCK 40 (BLACK)  
 DD4 4-WAY ECONOSEAL III LC (BLACK)  
 DIL1 6-WAY MULTILOCK 70 (WHITE)  
 DIL2 6-WAY MULTILOCK 70 (YELLOW)  
 DIL4 3-WAY MULTILOCK 70 (YELLOW)  
 DSM1 20-WAY AMP PCB POWER (BLACK)  
 DSM2 6-WAY MULTILOCK 70 (WHITE)  
 DSM3 6-WAY MULTILOCK 70 (YELLOW)  
 DSM4 6-WAY MULTILOCK 70 (SLATE)  
 DSM5 18-WAY MULTILOCK 70 (WHITE)  
 DSM7 3-WAY MULTILOCK 70 (SLATE)  
 LB1 48-WAY AMP PCB SIGNAL (BLACK)  
 LB3 12-WAY AMP PCB POWER (BLACK)  
 LB14 20-WAY MULTILOCK 40 (GREEN)  
 LB37 20-WAY MULTILOCK 40 (GREEN)  
 LB42 10-WAY MULTILOCK 70 (WHITE)  
 LB79B 16-WAY MULTILOCK 40 (BLACK)  
 LB80B 16-WAY MULTILOCK 40 (GREEN)  
 LB81B 16-WAY MULTILOCK 40 (BLUE)  
 LB82 20-WAY MULTILOCK 40 (BLACK)

### LOCATION / INTERFACE

DRIVER'S DOOR SWITCH PACK, NEAR FRONT OF DOOR / DRIVER'S DOOR SWITCH PACK  
 DRIVER'S DOOR, BOTTOM REAR / DRIVER'S DOOR SWITCH  
 REAR OF DRIVER'S SEAT BACK / SEAT RECLINE MOTOR AND POTENTIOMETER  
 REAR OF DRIVER'S SEAT BACK / HEADREST MOTOR AND POTENTIOMETER  
 REAR OF DRIVER'S SEAT BACK / LUMBAR PUMP  
 DRIVER'S SEAT BY SEAT/MIRROR ECM ON FLOOR / DRIVER'S SEAT AND MIRRORS ECM  
 BENEATH DRIVER'S SEAT CUSHION / SEAT FORE/AFT MOTOR AND POTENTIOMETER  
 BENEATH DRIVER'S SEAT CUSHION / SEAT REAR RAISE/LOWER MOTOR AND POTENTIOMETER  
 BENEATH DRIVER'S SEAT CUSHION / SEAT FRONT RAISE/LOWER MOTOR AND POTENTIOMETER  
 BENEATH DRIVER'S SEAT CUSHION / DRIVER'S SEAT HARNESS  
 BENEATH DRIVER'S SEAT CUSHION / DRIVER'S LUMBAR SWITCH  
 FLOOR PANEL IN FRONT OF DRIVER'S SEAT / DRIVERS SEAT AND MIRRORS ECM  
 FLOOR PANEL IN FRONT OF DRIVER'S SEAT / DRIVERS SEAT AND MIRRORS ECM  
 LEFT 'A' POST BOX SECTION / BULKHEAD HARNESS  
 MOUNTED LEFT OF CENTER CONSOLE CHEEK / DRIVER SEAT SWITCH PACK  
 FRONT OF DRIVER'S SEAT BY SEAT AND MIRRORS ECM / BULKHEAD TO SEAT HARNESS  
 RIGHT BLOWER MOTOR, ABOVE VACUUM VALVE / RIGHT SPLICE BOX  
 RIGHT BLOWER MOTOR, ABOVE VACUUM VALVE / RIGHT SPLICE BOX  
 RIGHT BLOWER MOTOR, ABOVE VACUUM VALVE / RIGHT SPLICE BOX  
 RIGHT 'A' POST BOX SECTION / BULKHEAD HARNESS

## GROUNDS

### CODE

### DESCRIPTION

LBG13A WHITE EYELET  
 LBG39A WHITE EYELET

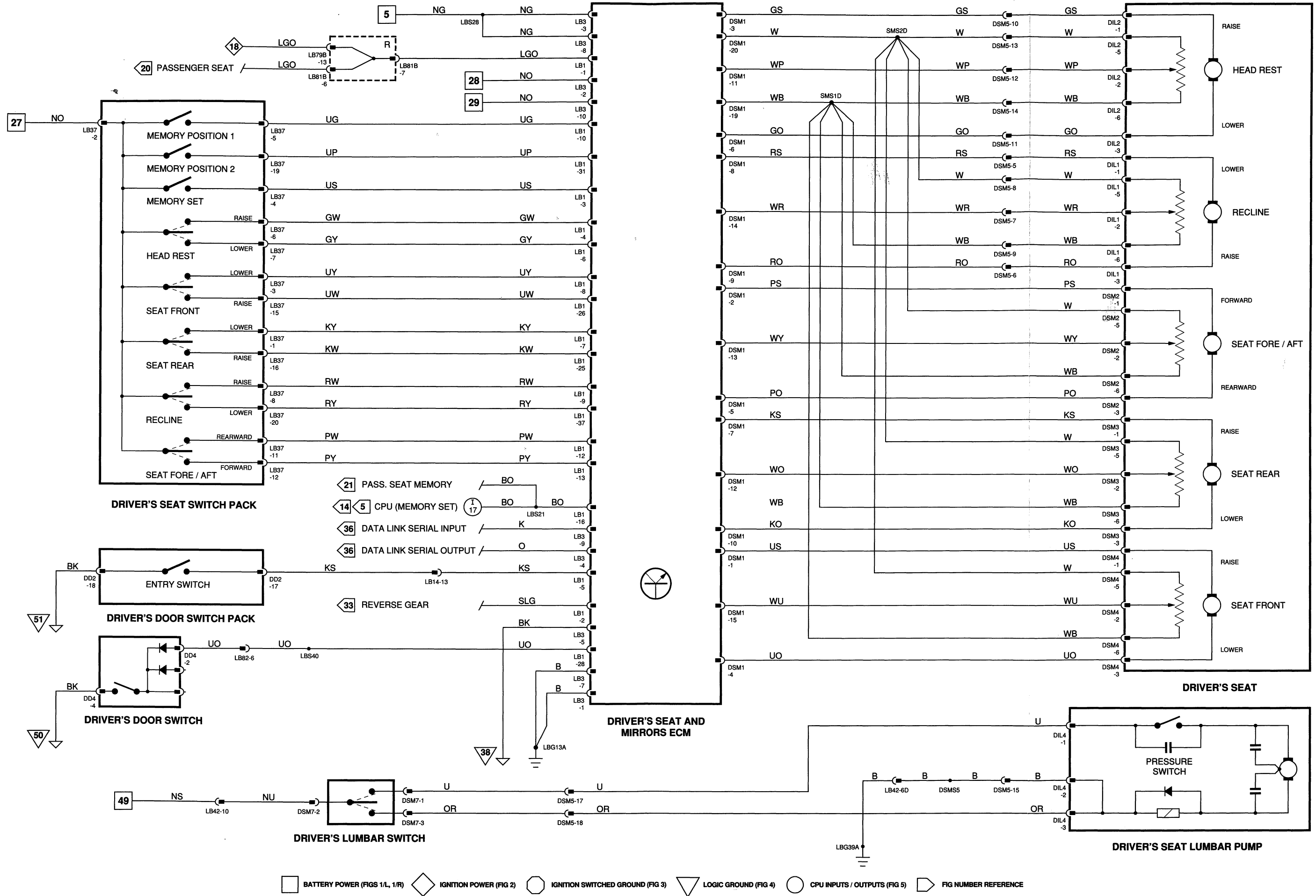
### LOCATION / INTERFACE

ABOVE LEFT FUSE PANEL ON 'A' POST / GROUND  
 CENTER CONSOLE GROUND STUD BEHIND 'J' GATE / GROUND

## INPUTS / OUTPUTS

### DRIVER'S SEAT AND MIRRORS ECM

CODE	IN / OUT	CIRCUIT	ACTIVE	INACTIVE
LB1-1	INPUT	IGNITION SWITCHED POWER	KEY ON: 12V	KEY OFF: OPEN CIRCUIT
LB1-2	INPUT	REVERSE GEAR MIRROR DIP	REVERSE SELECTED: GROUND	12V
LB1-3	INPUT	MEMORY SET	MEMORY PRESSED: 12V	OPEN CIRCUIT
LB1-4	INPUT	HEADREST — RAISE	12V	OPEN CIRCUIT
LB1-5	INPUT	DRIVER'S DOOR ENTRY SWITCH	GROUND	12V
LB1-6	INPUT	HEADREST — LOWER	12V	OPEN CIRCUIT
LB1-7	INPUT	SEAT REAR — LOWER	12V	OPEN CIRCUIT
LB1-8	INPUT	SEAT FRONT — LOWER	12V	OPEN CIRCUIT
LB1-9	INPUT	SEAT RECLINE — RAISE	12V	OPEN CIRCUIT
LB1-10	INPUT	MEMORY POSITION #1	#1 PRESSED: 12V	OPEN CIRCUIT
LB1-12	INPUT	SEAT REARWARD	12V	OPEN CIRCUIT
LB1-13	INPUT	SEAT FORWARD	12V	OPEN CIRCUIT
LB1-16	INPUT	CPU (MEMORY SET)	PULSED TO GROUND	OPEN CIRCUIT
LB1-25	INPUT	SEAT REAR — RAISE	12V	OPEN CIRCUIT
LB1-26	INPUT	SEAT FRONT — RAISE	12V	OPEN CIRCUIT
LB1-28	INPUT	DRIVER'S DOOR SWITCH OPEN	DOOR OPEN: GROUND	DOOR CLOSED: 12V
LB1-31	INPUT	MEMORY POSITION #2	#2 PRESSED: 12V	OPEN CIRCUIT
LB1-37	INPUT	SEAT RECLINE — LOWER	12V	OPEN CIRCUIT
LB3-1	INPUT	LOGIC GROUND	GROUND	GROUND
LB3-2	INPUT	BATTERY POWER	12V	12V
LB3-3	INPUT	BATTERY POWER	12V	12V
LB3-4	OUTPUT	SERIAL COMMUNICATIONS DATA LINK	JDS	—
LB3-5	INPUT	LOGIC GROUND	GROUND	GROUND
LB3-7	INPUT	POWER GROUND	GROUND	GROUND
LB3-8	INPUT	BATTERY POWER	12V	12V
LB3-9	INPUT	SERIAL COMMUNICATIONS DATA LINK	JDS	—
LB3-10	INPUT	BATTERY POWER	12V	12V
DSM1-1	OUTPUT	DRIVER'S SEAT MOTOR — FRONT	12V	GROUND
DSM1-2	OUTPUT	SEAT MOTOR — FORE/AFT	12V	GROUND
DSM1-3	OUTPUT	HEADREST — RAISE	12V	GROUND
DSM1-4	OUTPUT	SEAT FRONT MOTOR — LOWER	12V	GROUND
DSM1-5	OUTPUT	SEAT MOTOR — REARWARD	12V	GROUND
DSM1-6	OUTPUT	HEADREST — LOWER	12V	GROUND
DSM1-7	OUTPUT	SEAT REAR MOTOR — RAISE	12V	GROUND
DSM1-8	OUTPUT	RECLINE MOTOR — LOWER	12V	GROUND
DSM1-9	OUTPUT	RECLINE MOTOR — RAISE	12V	GROUND
DSM1-11	INPUT	HEADREST POTENTIOMETER WIPER	FULLY DOWN: 0.5V	FULLY UP: 2.1V
DSM1-12	INPUT	SEAT REAR POTENTIOMETER WIPER	FULLY DOWN: 0.6V	FULLY UP: 4.1V
DSM1-13	INPUT	SEAT FORE / AFT POTENTIOMETER WIPER	FULLY BACK: 1.2V	FULLY FORWARD: 4.1V
DSM1-14	INPUT	RECLINE POTENTIOMETER WIPER	FULLY RECLINED: 4V	FULLY UPRIGHT: 0.4V
DSM1-15	INPUT	SEAT FRONT POTENTIOMETER WIPER	FULLY DOWN: 1.5V	FULLY UP: 4V
DSM1-19	OUTPUT	POTENTIOMETER GROUND	GROUND	GROUND
DSM1-20	OUTPUT	POTENTIOMETER REFERENCE VOLTAGE	4.5V	GROUND



# FIG 19 DATA

## COMPONENTS

DESCRIPTION	LOCATION	ACCESS
DOOR MIRROR — DRIVER	DRIVER'S DOOR	DRIVER'S DOOR CASING
DOOR MIRROR — PASSENGER	PASSENGER'S DOOR	PASSENGER'S DOOR CASING
DOOR SWITCH PACK — DRIVER	DRIVER'S DOOR	DRIVER'S DOOR LOWER CASING
SEAT AND MIRRORS ECM — DRIVER	FLOOR, FRONT OF DRIVER'S SEAT	FLOOR TRIM PANEL
SEAT SWITCH PACK — DRIVER	CENTER CONSOLE, LEFT SIDE	CENTER CONSOLE

## CONNECTORS

CODE	DESCRIPTION	LOCATION / INTERFACE
DD1	8-WAY MULTILOCK 70 (WHITE)	DRIVER'S DOOR, BOTTOM OF SWITCH PACK / DRIVER'S DOOR HARNESS
DD2	20-WAY MULTILOCK 40 (BLACK)	DRIVER'S DOOR SWITCH PACK, NEAR FRONT OF DOOR / DRIVER'S DOOR SWITCH PACK
DD13	GROTE AND HARTMAN (BLACK)	DRIVER'S DOOR INNER HINGE BRACKET / DRIVER'S MIRROR MOTOR, POTENTIOMETER AND HEATER
DD14	GROTE AND HARTMAN (WHITE)	DRIVER'S DOOR INNER HINGE BRACKET / DRIVER'S MIRROR MOTOR, POTENTIOMETER AND HEATER
LB1	48-WAY AMP PCB SIGNAL (BLACK)	FLOOR PANEL IN FRONT OF DRIVER'S SEAT / DRIVERS SEAT AND MIRRORS ECM
LB2	4-WAY MULTILOCK 70 (WHITE)	LEFT 'A' POST BOX SECTION / BULKHEAD HARNESS
LB3	12-WAY AMP PCB POWER (BLACK)	FLOOR PANEL IN FRONT OF DRIVER'S SEAT / DRIVERS SEAT AND MIRRORS ECM
LB12	20-WAY MULTILOCK 40 (BLACK)	LEFT 'A' POST BOX SECTION / BULKHEAD HARNESS
LB14	20-WAY MULTILOCK 40 (GREEN)	LEFT 'A' POST BOX SECTION / BULKHEAD HARNESS
LB22A	12-WAY MULTILOCK 40 (BLACK)	LEFT BLOWER MOTOR HOUSING BRACKET / LEFT SPLICE BOX
LB22B	16-WAY MULTILOCK 40 (BLACK)	LEFT BLOWER MOTOR HOUSING BRACKET / LEFT SPLICE BOX
LB23A	12-WAY MULTILOCK 40 (BLUE)	LEFT BLOWER MOTOR HOUSING BRACKET / LEFT SPLICE BOX
LB23B	16-WAY MULTILOCK 40 (BLUE)	LEFT BLOWER MOTOR HOUSING BRACKET / LEFT SPLICE BOX
LB37	20-WAY MULTILOCK 40 (GREEN)	MOUNTED LEFT OF CENTER CONSOLE CHEEK / DRIVER SEAT SWITCH PACK
LB79B	16-WAY MULTILOCK 40 (BLACK)	RIGHT BLOWER MOTOR, ABOVE VACUUM VALVE / RIGHT SPLICE BOX
LB80B	16-WAY MULTILOCK 40 (GREEN)	RIGHT BLOWER MOTOR, ABOVE VACUUM VALVE / RIGHT SPLICE BOX
LB81B	16-WAY MULTILOCK 40 (BLUE)	RIGHT BLOWER MOTOR, ABOVE VACUUM VALVE / RIGHT SPLICE BOX
LB82	20-WAY MULTILOCK 40 (BLACK)	RIGHT 'A' POST BOX SECTION / BULKHEAD HARNESS
LB83	6-WAY MULTILOCK 70 (WHITE)	RIGHT 'A' POST BOX SECTION / BULKHEAD HARNESS
PD13	GROTE AND HARTMAN (BLACK)	PASSENGER'S DOOR INNER HINGE BRACKET / PASSENGER'S MIRROR MOTOR, POTENTIOMETER AND HEATER
PD14	GROTE AND HARTMAN (WHITE)	PASSENGER'S DOOR INNER HINGE BRACKET / PASSENGER'S MIRROR MOTOR, POTENTIOMETER AND HEATER

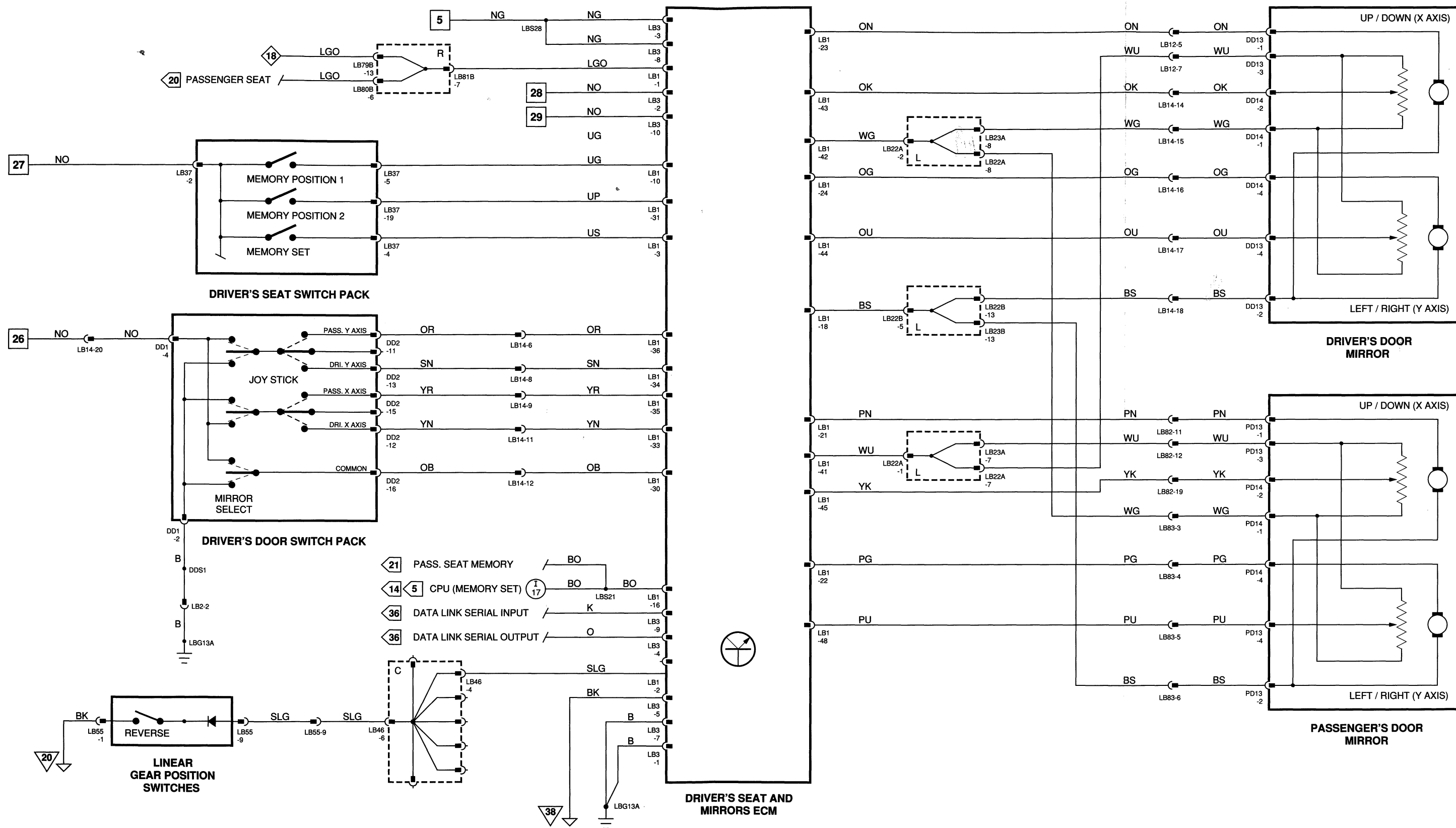
## GROUND

CODE	DESCRIPTION	LOCATION / INTERFACE
LBG13A	WHITE EYELET	ABOVE LEFT FUSE PANEL ON 'A' POST / GROUND

## INPUTS / OUTPUTS

### DRIVER'S SEAT AND MIRRORS ECM

CODE	IN / OUT	CIRCUIT	ACTIVE	INACTIVE
LB1-1	INPUT	IGNITION SWITCHED POWER	KEY ON: 12V	KEY OFF: OPEN CIRCUIT
LB1-2	INPUT	REVERSE GEAR MIRROR DIP	REVERSE SELECTED: GROUND	12V
LB1-3	INPUT	MEMORY SET	'M' PRESSED: 12V	OPEN CIRCUIT
LB1-10	INPUT	MEMORY POSITION '1'	'1' PRESSED: 12V	OPEN CIRCUIT
LB1-16	INPUT	CPU (MEMORY SET)	'M' & '1' PRESSED: PULSE TO GROUND	RELEASED: 118 MV
LB1-18	OUTPUT	CPU TONE — MEMORY ACKNOWLEDGE	'M' PRESSED: 4.3 MV	RELEASED: 3.1 MV
LB1-21	OUTPUT	PASSENGER'S MIRROR UP/DOWN (X AXIS)	UP: 12V	DOWN: GROUND
LB1-22	OUTPUT	PASSENGER'S MIRROR RIGHT/LEFT (Y AXIS)	RIGHT: 12V	LEFT: GROUND
LB1-23	OUTPUT	DRIVER'S MIRROR UP/DOWN (X AXIS)	UP: 12V	DOWN: GROUND
LB1-24	OUTPUT	DRIVER'S MIRROR RIGHT/LEFT (Y AXIS)	RIGHT: 12V	LEFT: GROUND
LB1-30	INPUT	MIRROR SELECT DRIVER / PASSENGER	—	—
LB1-31	INPUT	MEMORY POSITION '2'	'2' PRESSED: 12V	OPEN CIRCUIT
LB1-33	INPUT	MIRROR SELECT — DRIVER'S X AXIS	UP: 12V	DOWN: GROUND
LB1-34	INPUT	MIRROR SELECT — DRIVER'S Y AXIS	RIGHT: 12V	LEFT: GROUND
LB1-35	INPUT	MIRROR SELECT — PASSENGER'S X AXIS	UP: 12V	DOWN: GROUND
LB1-36	INPUT	MIRROR SELECT — PASSENGER'S Y AXIS	RIGHT: 12V	LEFT: GROUND
LB1-41	OUTPUT	MIRROR POTENTIOMETER REFERENCE VOLTAGE	MIRROR MOVING: 4.4V	GROUND
LB1-42	INPUT	MIRROR POTENTIOMETER GROUND	GROUND	GROUND
LB1-43	INPUT	DRIVER'S MIRROR POTENTIOMETER WIPER (X AXIS)	FULLY UP: 4.2V	DOWN: 0.3V
LB1-44	INPUT	DRIVER'S MIRROR POTENTIOMETER WIPER (Y AXIS)	FULLY LEFT: 0.8V	RIGHT: 4.0V
LB1-45	INPUT	PASSENGER'S MIRROR POTENTIOMETER WIPER (X AXIS)	FULLY UP: 4.2V	DOWN: 0.3V
LB1-48	INPUT	PASSENGER'S MIRROR POTENTIOMETER WIPER (Y AXIS)	FULLY LEFT: 0.8V	RIGHT: 3.5V
LB3-1	INPUT	POWER GROUND	GROUND	GROUND
LB3-2	INPUT	BATTERY POWER	12V	12V
LB3-3	INPUT	BATTERY POWER	12V	12V
LB3-4	OUTPUT	SERIAL COMMUNICATIONS DATA LINK OUTPUT	JDS	—
LB3-5	INPUT	LOGIC GROUND	GROUND	GROUND
LB3-7	INPUT	POWER GROUND	GROUND	GROUND
LB3-8	INPUT	BATTERY POWER	12V	12V
LB3-9	INPUT	SERIAL COMMUNICATIONS DATA LINK	JDS	—
LB3-10	INPUT	BATTERY POWER	12V	12V



# FIG 20 DATA

## COMPONENTS

DESCRIPTION	LOCATION	ACCESS
LUMBAR SWITCH — PASSENGER	CENTER CONSOLE, RIGHT SIDE	—
SEAT CONTROL UNIT — PASSENGER	FLOOR, FRONT OF PASSENGER'S SEAT	FLOOR TRIM PANEL
SEAT LUMBAR PUMP — PASSENGER	PASSENGER'S SEAT BACK	—
SEAT SWITCH PACK — PASSENGER	CENTER CONSOLE, RIGHT SIDE	CENTER CONSOLE
SEAT MOTORS — PASSENGER	PASSENGER'S SEAT	BENEATH SEAT CUSHION

## CONNECTORS

CODE	DESCRIPTION	LOCATION / INTERFACE
LB42	10-WAY MULTILOCK 70 (WHITE)	FRONT OF DRIVER'S SEAT BY SEAT AND MIRRORS ECM / BULKHEAD TO SEAT HARNESS
LB43	10-WAY MULTILOCK 70 (WHITE)	FRONT OF PASSENGER'S SEAT BY SEAT CONTROL UNIT / SEAT HARNESS
LB54	20-WAY MULTILOCK 40 (BLUE)	MOUNTED RIGHT OF CENTER CONSOLE CHEEK / PASSENGER SEAT SWITCH PACK
LB79B	16-WAY MULTILOCK 40 (BLACK)	RIGHT BLOWER MOTOR, ABOVE VACUUM VALVE / RIGHT SPLICE BOX
LB80B	16-WAY MULTILOCK 40 (GREEN)	RIGHT BLOWER MOTOR, ABOVE VACUUM VALVE / RIGHT SPLICE BOX
LB81B	16-WAY MULTILOCK 40 (BLUE)	RIGHT BLOWER MOTOR, ABOVE VACUUM VALVE / RIGHT SPLICE BOX
LB91	48-WAY AMP PCB SIGNAL (BLACK)	FLOOR PANEL, FRONT OF PASSENGER'S SEAT / PASSENGER'S SEAT CONTROL UNIT
LB92	12-WAY AMP PCB SIGNAL (BLACK)	FLOOR PANEL, FRONT OF PASSENGER'S SEAT / PASSENGER'S SEAT CONTROL
PIL1	6-WAY MULTILOCK 70 (WHITE)	REAR OF PASSENGER'S SEAT BACK / SEAT RECLINE MOTOR
PIL2	6-WAY MULTILOCK 70 (WHITE)	REAR OF PASSENGER'S SEAT BACK / HEADREST MOTOR
PIL4	3-WAY MULTILOCK 70 (YELLOW)	REAR OF PASSENGER'S SEAT BACK / LUMBAR PUMP
PSM2	6-WAY MULTILOCK 70 (YELLOW)	BENEATH PASSENGER'S SEAT CUSHION / SEAT FORE/AFT MOTOR
PSM3	6-WAY MULTILOCK 70 (YELLOW)	BENEATH PASSENGER'S SEAT CUSHION / SEAT REAR RAISE/LOWER MOTOR
PSM4	6-WAY MULTILOCK 70 (SLATE)	BENEATH PASSENGER'S SEAT CUSHION / SEAT FRONT RAISE/LOWER MOTOR
PSM5	18-WAY MULTILOCK 70 (WHITE)	BENEATH PASSENGER'S SEAT CUSHION / PASSENGER'S SEAT HARNESS
PSM7	3-WAY MULTILOCK 70 (SLATE)	BENEATH PASSENGER'S SEAT CUSHION / PASSENGER'S LUMBAR SWITCH
PSM9	20-WAY AMP PCB POWER (YELLOW)	PASSENGER'S SEAT BY SEAT CONTROL UNIT ON FLOOR / PASSENGER'S SEAT CONTROL UNIT

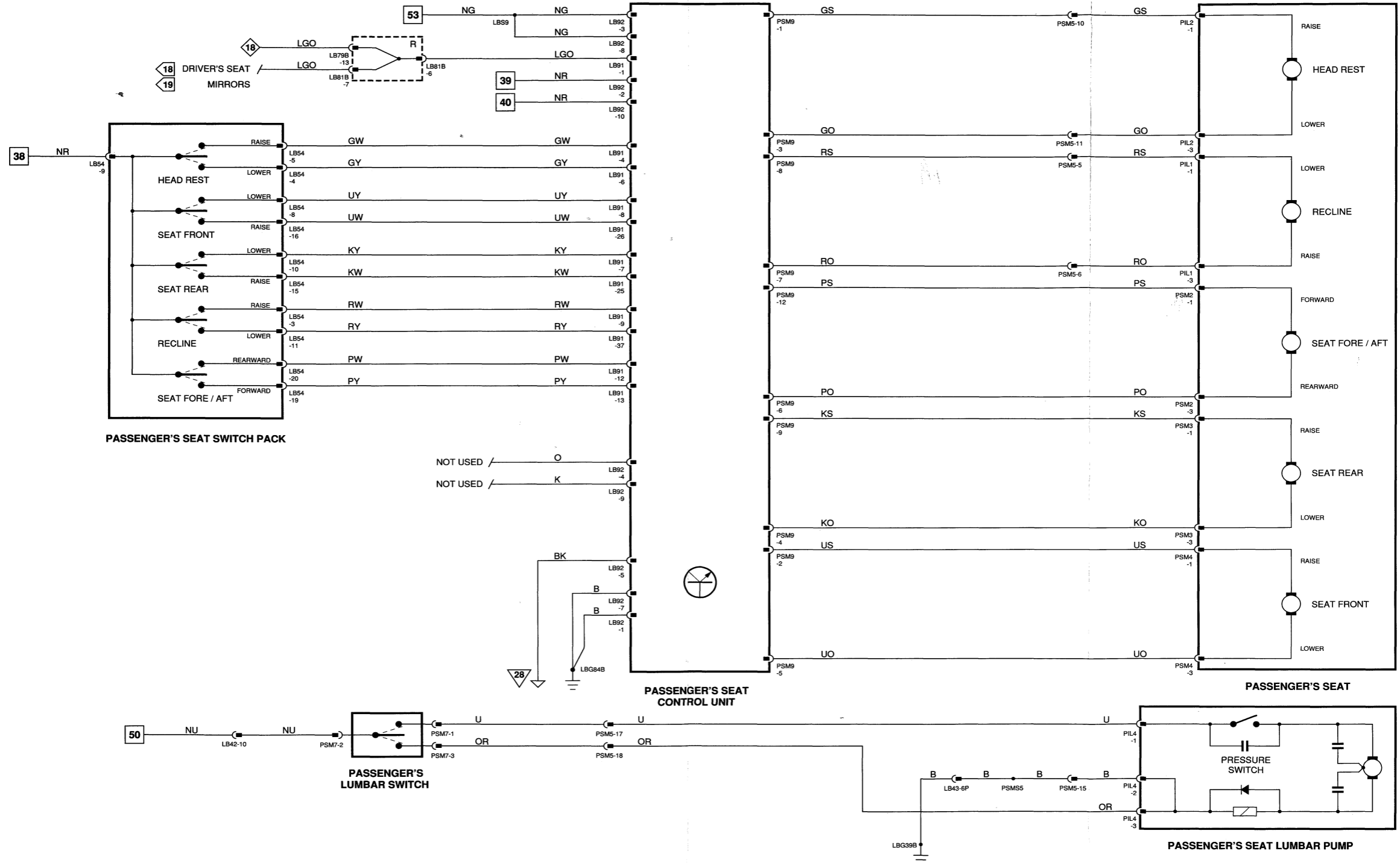
## GROUND S

CODE	DESCRIPTION	LOCATION / INTERFACE
LBG39B	WHITE EYELET	CENTER CONSOLE GROUND STUD BEHIND 'J' GATE / GROUND
LBG84B	WHITE EYELET	ABOVE RIGHT FUSE PANEL ON 'A' POST / GROUND

## INPUTS / OUTPUTS

### PASSENGER SEAT CONTROL UNIT

CODE	IN / OUT	CIRCUIT	ACTIVE	INACTIVE
LB91-1	INPUT	IGNITION SWITCHED POWER	KEY ON: 12V	KEY OFF: OPEN CIRCUIT
LB91-4	INPUT	HEADREST — RAISE	RAISE: 12V	OPEN CIRCUIT
LB91-6	INPUT	HEADREST — LOWER	LOWER: 12V	OPEN CIRCUIT
LB91-7	INPUT	SEAT REAR — LOWER	LOWER: 12V	OPEN CIRCUIT
LB91-8	INPUT	SEAT FRONT — LOWER	LOWER: 12V	OPEN CIRCUIT
LB91-9	INPUT	SEAT RECLINE — RAISE	RAISE: 12V	OPEN CIRCUIT
LB91-12	INPUT	SEAT REARWARD	REARWARD: 12V	OPEN CIRCUIT
LB91-13	INPUT	SEAT FORWARD	FORWARD: 12V	OPEN CIRCUIT
LB91-25	INPUT	SEAT REAR — RAISE	RAISE: 12V	OPEN CIRCUIT
LB91-26	INPUT	SEAT FRONT — RAISE	RAISE: 12V	OPEN CIRCUIT
LB91-37	INPUT	SEAT RECLINE — LOWER	LOWER: 12V	OPEN CIRCUIT
LB92-1	INPUT	POWER GROUND	GROUND	GROUND
LB92-2	INPUT	BATTERY POWER	12V	12V
LB92-3	INPUT	BATTERY POWER	12V	12V
LB92-5	INPUT	LOGIC GROUND	GROUND	GROUND
LB92-7	INPUT	POWER GROUND	GROUND	GROUND
LB92-8	INPUT	BATTERY POWER	12V	12V
LB92-10	INPUT	BATTERY POWER	12V	12V
PSM9-1	OUTPUT	HEADREST — RAISE	RAISE: 12V	GROUND
PSM9-2	OUTPUT	SEAT FRONT — RAISE	RAISE: 12V	GROUND
PSM9-3	OUTPUT	HEADREST — LOWER	LOWER: 12V	GROUND
PSM9-4	OUTPUT	SEAT REAR — LOWER	LOWER: 12V	GROUND
PSM9-5	OUTPUT	SEAT FRONT — LOWER	LOWER: 12V	GROUND
PSM9-6	OUTPUT	SEAT REARWARD	REARWARD: 12V	GROUND
PSM9-7	OUTPUT	SEAT RECLINE — RAISE	RAISE: 12V	GROUND
PSM9-8	OUTPUT	SEAT RECLINE — LOWER	LOWER: 12V	GROUND
PSM9-9	OUTPUT	SEAT REAR — RAISE	RAISE: 12V	GROUND
PSM9-12	OUTPUT	SEAT FORWARD	FORWARD: 12V	GROUND



BATTERY POWER (FIGS 1/L, 1/R)
  IGNITION POWER (FIG 2)
  IGNITION SWITCHED GROUND (FIG 3)
  LOGIC GROUND (FIG 4)
  CPU INPUTS / OUTPUTS (FIG 5)
  FIG NUMBER REFERENCE

NOTE: PASSENGER SEAT WITH MEMORY CIRCUIT — REFER TO FIG 21

# FIG 21 DATA

## COMPONENTS

DESCRIPTION	LOCATION	ACCESS
LUMBAR SWITCH — PASSENGER	CENTER CONSOLE, RIGHT SIDE	—
SEAT ECM — PASSENGER	FLOOR, FRONT OF PASSENGER'S SEAT	FLOOR TRIM PANEL
SEAT LUMBAR PUMP — PASSENGER	PASSENGER'S SEAT BACK	—
SEAT SWITCH PACK — PASSENGER	CENTER CONSOLE, RIGHT SIDE	CENTER CONSOLE
SEAT MOTORS — PASSENGER	PASSENGER'S SEAT	BENEATH SEAT CUSHION

## CONNECTORS

CODE	DESCRIPTION	LOCATION / INTERFACE
PIL1	6-WAY MULTILOCK 70 (WHITE)	REAR OF PASSENGER'S SEAT BACK / SEAT RECLINE MOTOR AND POTENTIOMETER
PIL2	6-WAY MULTILOCK 70 (YELLOW)	REAR OF PASSENGER'S SEAT BACK / HEADREST MOTOR AND POTENTIOMETER
LB54	20-WAY MULTILOCK 40 (BLUE)	MOUNTED RIGHT OF CENTER CONSOLE CHEEK / PASSENGER SEAT SWITCH PACK
LB79B	16-WAY MULTILOCK 40 (BLACK)	RIGHT BLOWER MOTOR, ABOVE VACUUM VALVE / RIGHT SPLICE BOX
LB80B	16-WAY MULTILOCK 40 (GREEN)	RIGHT BLOWER MOTOR, ABOVE VACUUM VALVE / RIGHT SPLICE BOX
LB81B	16-WAY MULTILOCK 40 (BLUE)	RIGHT BLOWER MOTOR, ABOVE VACUUM VALVE / RIGHT SPLICE BOX
LB91	48-WAY AMP PCB SIGNAL (BLACK)	FLOOR PANEL, FRONT OF PASSENGER'S SEAT / PASSENGER'S SEAT CONTROL UNIT
LB92	12-WAY AMP PCB SIGNAL (BLACK)	FLOOR PANEL, FRONT OF PASSENGER'S SEAT / PASSENGER'S SEAT CONTROL
PSM1	20-WAY AMP PCB POWER (BLACK)	PASSENGER'S SEAT BY SEAT CONTROL UNIT ON FLOOR / PASSENGER'S SEAT CONTROL UNIT
PSM2	6-WAY MULTILOCK 70 (WHITE)	BENEATH PASSENGER'S SEAT CUSHION / SEAT FORE/AFT MOTOR AND POTENTIOMETER
PSM3	6-WAY MULTILOCK 70 (YELLOW)	BENEATH PASSENGER'S SEAT CUSHION / SEAT REAR RAISE/LOWER MOTOR AND POTENTIOMETER
PSM4	6-WAY MULTILOCK 70 (SLATE)	BENEATH PASSENGER'S SEAT CUSHION / SEAT FRONT RAISE/LOWER MOTOR AND POTENTIOMETER
PSM5	18-WAY MULTILOCK 70 (WHITE)	BENEATH PASSENGER'S SEAT CUSHION / PASSENGER'S SEAT HARNESS

## GROUND

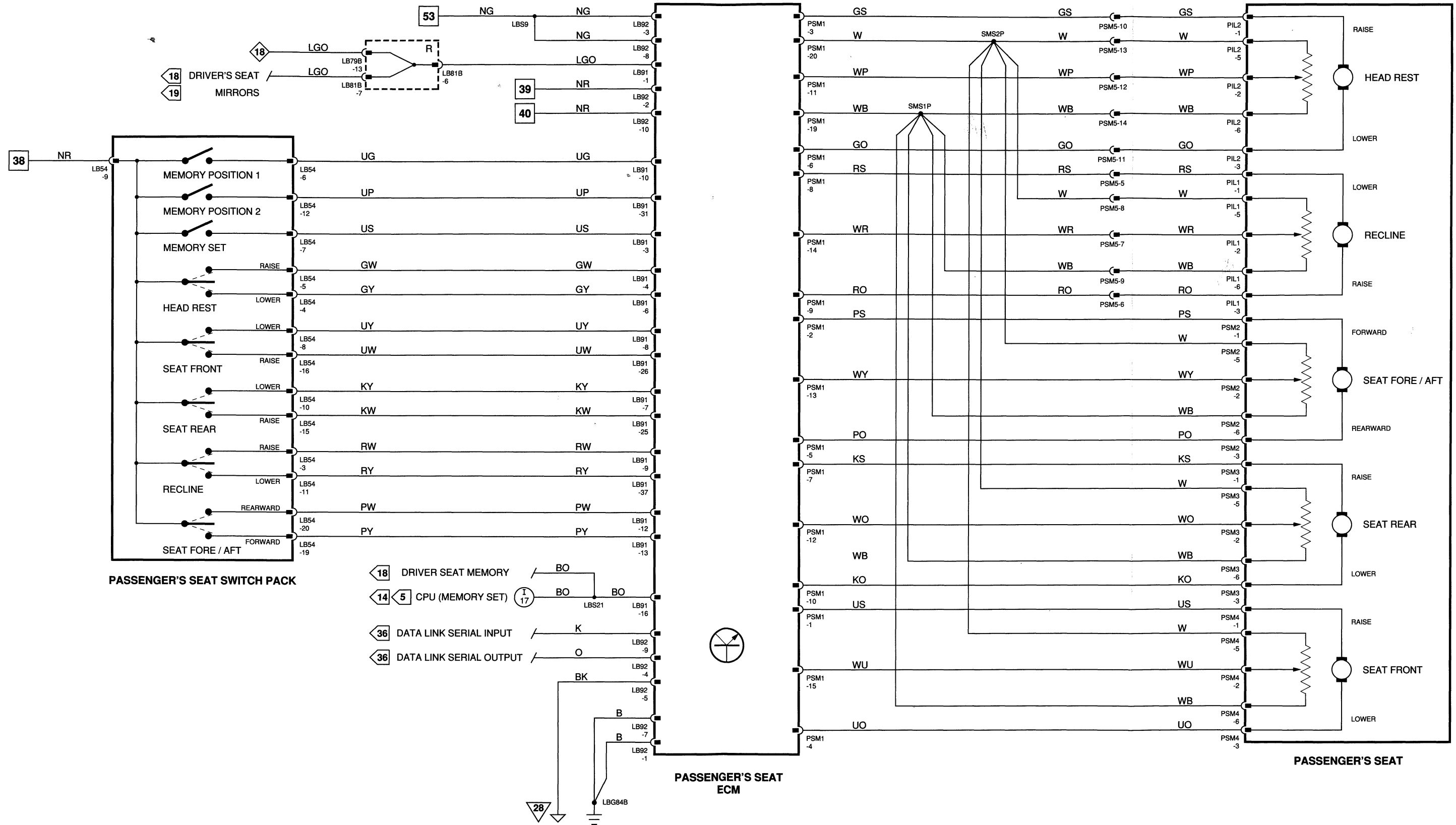
CODE	DESCRIPTION	LOCATION / INTERFACE
LBG39B	WHITE EYELET	CENTER CONSOLE GROUND STUD BEHIND 'J' GATE / GROUND
LBG84B	WHITE EYELET	ABOVE RIGHT FUSE PANEL ON 'A' POST / GROUND

## INPUTS / OUTPUTS

### PASSENGER SEAT ECM

CODE	IN / OUT	CIRCUIT	ACTIVE	INACTIVE
LB91-1	INPUT	IGNITION SWITCHED POWER	KEY ON: 12V	KEY OFF: OPEN CIRCUIT
LB91-4	INPUT	HEADREST — RAISE	RAISE: 12V	OPEN CIRCUIT
LB91-6	INPUT	HEADREST — LOWER	LOWER: 12V	OPEN CIRCUIT
LB91-7	INPUT	SEAT REAR — LOWER	LOWER: 12V	OPEN CIRCUIT
LB91-8	INPUT	SEAT FRONT — LOWER	LOWER: 12V	OPEN CIRCUIT
LB91-9	INPUT	SEAT RECLINE — RAISE	RAISE: 12V	OPEN CIRCUIT
LB91-12	INPUT	SEAT REARWARD	REARWARD: 12V	OPEN CIRCUIT
LB91-13	INPUT	SEAT FORWARD	FORWARD: 12V	OPEN CIRCUIT
LB91-25	INPUT	SEAT REAR — RAISE	RAISE: 12V	OPEN CIRCUIT
LB91-26	INPUT	SEAT FRONT — RAISE	RAISE: 12V	OPEN CIRCUIT
LB91-37	INPUT	SEAT RECLINE — LOWER	LOWER: 12V	OPEN CIRCUIT
LB92-1	INPUT	POWER GROUND	GROUND	GROUND
LB92-2	INPUT	BATTERY POWER	12V	12V
LB92-3	INPUT	BATTERY POWER	12V	12V
LB92-5	INPUT	LOGIC GROUND	GROUND	GROUND
LB92-7	INPUT	POWER GROUND	GROUND	GROUND
LB92-8	INPUT	BATTERY POWER	12V	12V
LB92-10	INPUT	BATTERY POWER	12V	12V
PSM1-1	OUTPUT	SEAT FRONT MOTOR — RAISE	12V	GROUND
PSM1-2	OUTPUT	SEAT MOTOR — FORWARD	12V	GROUND
PSM1-3	OUTPUT	HEADREST — RAISE	12V	GROUND
PSM1-4	OUTPUT	SEAT FRONT MOTOR — LOWER	12V	GROUND
PSM1-5	OUTPUT	SEAT MOTOR — REARWARD	12V	GROUND
PSM1-6	OUTPUT	HEADREST — LOWER	12V	GROUND
PSM1-7	OUTPUT	SEAT REAR MOTOR — RAISE	12V	GROUND
PSM1-8	OUTPUT	RECLINE MOTOR — LOWER	12V	GROUND
PSM1-9	OUTPUT	RECLINE MOTOR — RAISE	12V	GROUND
PSM1-10	OUTPUT	SEAT REAR MOTOR — LOWER	12V	GROUND
PSM1-11	INPUT	HEADREST POTENTIOMETER WIPER	FULLY UP: 2.18V	FULLY DOWN: 0.4V
PSM1-12	INPUT	SEAT REAR POTENTIOMETER WIPER	FULLY UP: 4V	FULLY DOWN: 0.7V
PSM1-13	INPUT	SEAT FORE/AFT POTENTIOMETER WIPER	FULLY FORWARD: 4.0V	FULLY REARWARD: 1.4V
PSM1-14	INPUT	RECLINE POTENTIOMETER WIPER	FULLY BACK: 3.3V	FULLY UP: 0.4V
PSM1-15	INPUT	SEAT FRONT POTENTIOMETER WIPER	FULLY UP: 4.2V	FULLY DOWN: 1.7V
PSM1-19	OUTPUT	POTENTIOMETER GROUND	GROUND	GROUND
PSM1-20	OUTPUT	POTENTIOMETER REFERENCE VOLTAGE	4.5V	OPEN CIRCUIT





# FIG 22 DATA

## COMPONENTS

DESCRIPTION	LOCATION	ACCESS
CENTRAL MICROPROCESSOR	BEHIND GLOVE BOX	RIGHT DASH UNDER PANEL
RELAY MODULE M	PASSENGER'S SEAT	FLOOR TRIM PANEL
(M1 — SEAT HEATER RELAY — PASSENGER)		
(M2 — SEAT HEATER RELAY — DRIVER)		
SEAT BACK HEATER — DRIVER	DRIVER'S SEAT BACK	—
SEAT BACK HEATER — PASSENGER	PASSENGER'S SEAT BACK	—
SEAT CUSHION HEATER — DRIVER INNER	DRIVER'S SEAT CUSHION	—
SEAT CUSHION HEATER — DRIVER OUTER	DRIVER'S SEAT CUSHION	—
SEAT CUSHION HEATER — PASSENGER INNER	PASSENGER'S SEAT CUSHION	—
SEAT CUSHION HEATER — PASSENGER OUTER	PASSENGER'S SEAT CUSHION	—
SEAT SWITCH PACK — DRIVER	CENTER CONSOLE, LEFT SIDE	CENTER CONSOLE
SEAT SWITCH PACK — PASSENGER	CENTER CONSOLE, RIGHT SIDE	CENTER CONSOLE
SEAT THERMOSTAT — DRIVER	DRIVER'S SEAT CUSHION	BENEATH SEAT CUSHION
SEAT THERMOSTAT — PASSENGER	PASSENGER'S SEAT CUSHION	BENEATH SEAT CUSHION

## CONNECTORS

CODE	DESCRIPTION	LOCATION / INTERFACE
DCH1	2-WAY MULTILOCK 70 (WHITE)	BENEATH DRIVER'S SEAT CUSHION / DRIVER'S SEAT CUSHION HEATER
DHS1	3-WAY MULTILOCK 70 (YELLOW)	BENEATH DRIVER'S SEAT CUSHION / DRIVER'S SEAT HARNESS
DSQ1	3-WAY MULTILOCK 70 (SLATE)	ATTACHED TO DRIVER'S SEAT CUSHION FRAME / DRIVER'S SEAT BACK HEATER
LB37	20-WAY MULTILOCK 40 (GREEN)	MOUNTED LEFT OF CENTER CONSOLE CHEEK / DRIVER SEAT SWITCH PACK
LB42	10-WAY MULTILOCK 70 (WHITE)	FRONT OF DRIVER'S SEAT BY SEAT AND MIRRORS ECM / BULKHEAD TO SEAT HARNESS
LB43	10-WAY MULTILOCK 70 (WHITE)	FRONT OF PASSENGER'S SEAT BY SEAT CONTROL UNIT / SEAT HARNESS
LB54	20-WAY MULTILOCK 40 (BLUE)	MOUNTED RIGHT OF CENTER CONSOLE CHEEK / PASSENGER SEAT SWITCH PACK
LB60	48-WAY AMP PCB SIGNAL (YELLOW)	BEHIND GLOVE BOX ON CPU / CENTRAL MICROPROCESSOR
LB61	48-WAY AMP PCB SIGNAL (BLACK)	BEHIND GLOVE BOX ON CPU / CENTRAL MICROPROCESSOR
LB101	20-WAY AMP PCB POWER (BLUE)	IN FRONT OF PASSENGER'S SEAT CONTROL UNIT / RELAY MODULE M
PCH1	2-WAY MULTILOCK 70 (WHITE)	BENEATH PASSENGER'S SEAT CUSHION / PASSENGER'S SEAT CUSHION HEATER
PHS1	3-WAY MULTILOCK 70 (YELLOW)	BENEATH PASSENGER'S SEAT CUSHION / PASSENGER'S SEAT HARNESS
PSQ1	3-WAY MULTILOCK 70 (SLATE)	ATTACHED TO PASSENGER'S SEAT CUSHION FRAME / PASSENGER'S SEAT BACK HEATER

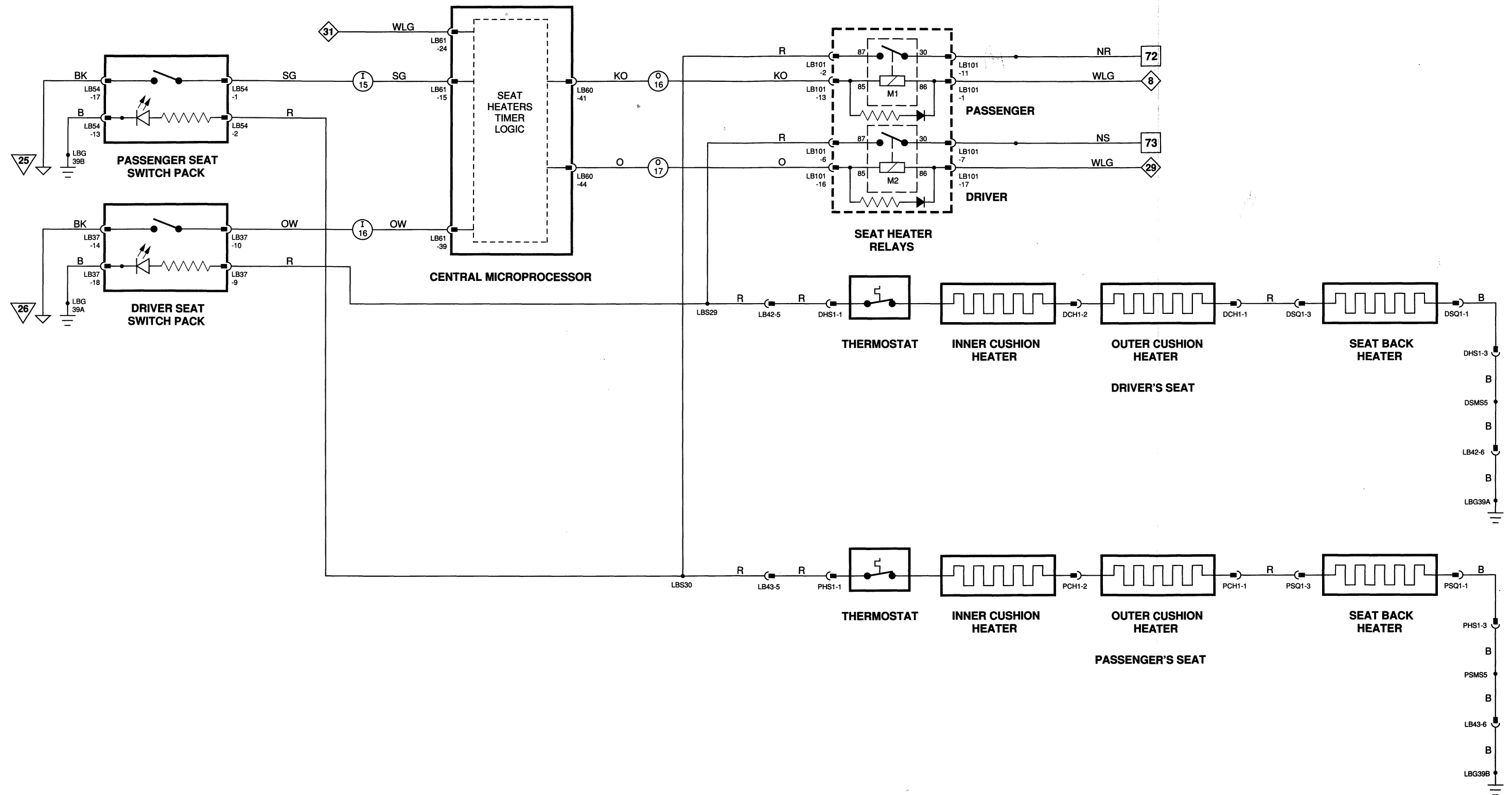
## GROUND

CODE	DESCRIPTION	LOCATION / INTERFACE
LBG39A	WHITE EYELET	CENTER CONSOLE GROUND STUD BEHIND 'J' GATE / GROUND
LBG39B	WHITE EYELET	CENTER CONSOLE GROUND STUD BEHIND 'J' GATE / GROUND

## INPUTS / OUTPUTS

### CENTRAL MICROPROCESSOR

INPUTS		ACTIVE	INACTIVE
CODE	CIRCUIT		
LB61-24	IGNITION SWITCHED POWER	KEY ON: 12V	KEY OFF: OPEN CIRCUIT
14 LB61-39	DRIVER'S SEAT HEATER SWITCH	SWITCH PRESSED: GROUND	SWITCH RELEASED: OPEN CIRCUIT
15 LB61-15	PASSENGER'S SEAT HEATER SWITCH	SWITCH PRESSED: GROUND	SWITCH RELEASED: OPEN CIRCUIT
OUTPUTS		ACTIVE	INACTIVE
CODE	CIRCUIT		
16 LB60-41	PASSENGER'S SEAT HEATER DRIVE (KEY ON)	HEATER ON: GROUND	HEATER OFF: 12V
17 LB60-44	DRIVER'S SEAT HEATER DRIVE (KEY ON)	HEATER ON: GROUND	HEATER OFF: 12V



# FIG 23 DATA

## COMPONENTS

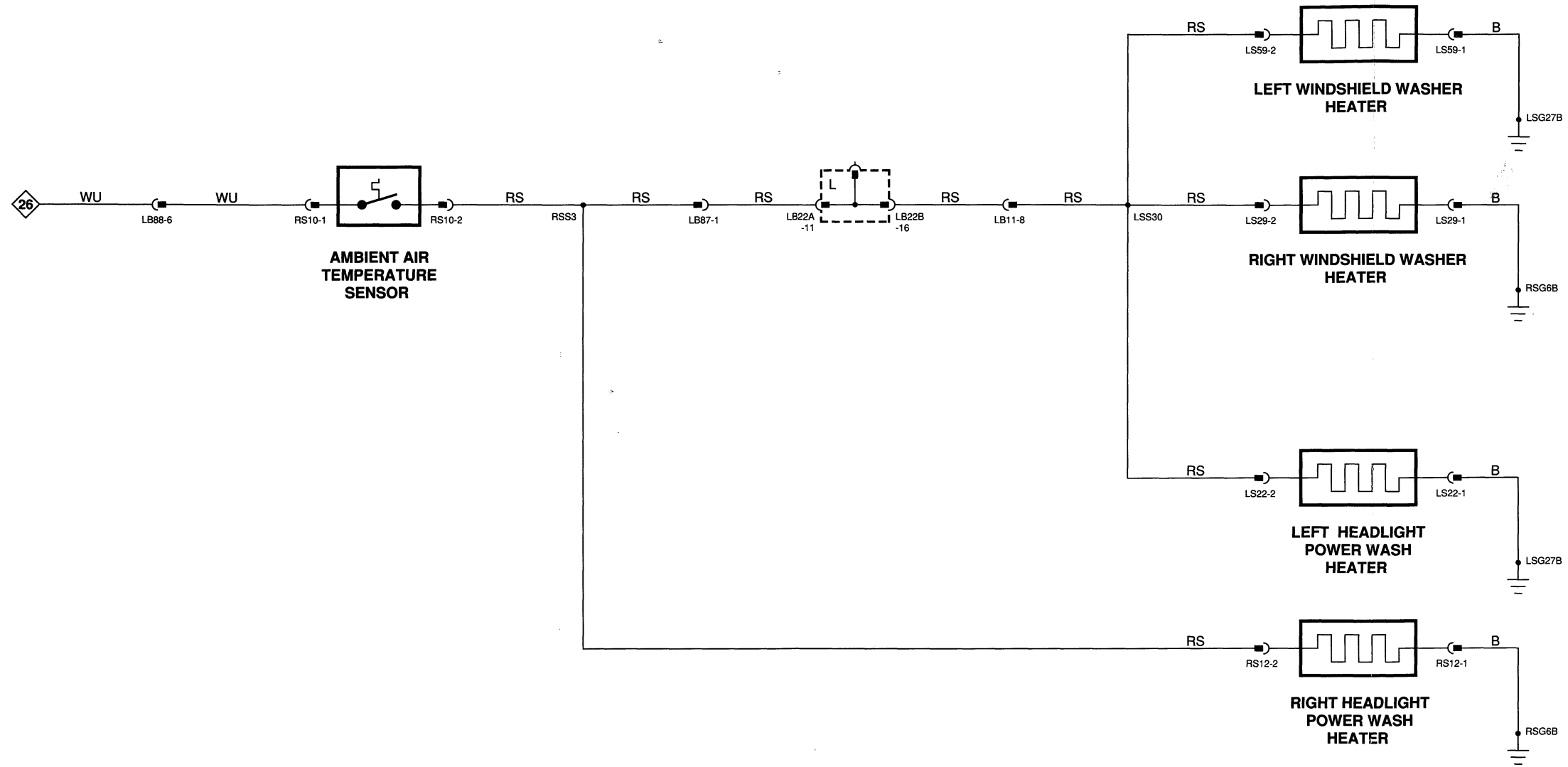
DESCRIPTION	LOCATION	ACCESS
AMBIENT TEMPERATURE SENSOR	RIGHT FRONT BRAKE DUCT	RIGHT DUCT
HEADLIGHT WASHER HEATER — LEFT	HEADLIGHT WASHER JET, LEFT	FRONT BUMPER
HEADLIGHT WASHER HEATER — RIGHT	HEADLIGHT WASHER JET, RIGHT	FRONT BUMPER
WINDSHIELD WASHER HEATER — LEFT	WINDSHIELD WASHER JET, LEFT	WINDSHIELD PLENUM
WINDSHIELD WASHER HEATER — RIGHT	WINDSHIELD WASHER JET, RIGHT	WINDSHIELD PLENUM

## CONNECTORS

CODE	DESCRIPTION	LOCATION / INTERFACE
LB11	20-WAY MULTILOCK 40 (BLUE)	REAR FACE OF LEFT BLOWER, UNDER FASCIA / BULKHEAD TO LF HARNESS
LB22B	16-WAY MULTILOCK 40 (BLACK)	LEFT BLOWER MOTOR HOUSING BRACKET / LEFT SPLICE BOX
LB87	20-WAY MULTILOCK 40 (GREEN)	REAR FACE OF RIGHT BLOWER, UNDER FASCIA / BULKHEAD TO RF HARNESS
LB88	20-WAY MULTILOCK 40 (BLACK)	REAR FACE OF RIGHT BLOWER, UNDER FASCIA / BULKHEAD TO RF HARNESS
LS22	GROTE AND HARTMAN (BLACK)	BEHIND LF DIRECTIONAL ASSEMBLY / LF HEADLIGHT POWER WASH HEATER
LS29	GROTE AND HARTMAN (BLACK)	BELOW WINDSHIELD PLENUM GRILLE / RIGHT WINDSHIELD WASHER HEATER
LS59	GROTE AND HARTMAN (BLACK)	BELOW WINDSHIELD PLENUM GRILLE / LEFT WINDSHIELD WASHER HEATER
RS10	2-WAY ECONOSEAL III LC (WHITE)	BEHIND RF DIRECTIONAL ASSEMBLY / AMBIENT TEMPERATURE SENSOR
RS12	GROTE AND HARTMAN (BLACK)	BEHIND RF DIRECTIONAL ASSEMBLY / RIGHT HEADLIGHT POWER WASH HEATER

## GROUND

CODE	DESCRIPTION	LOCATION / INTERFACE
LSG27B	WHITE EYELET	ENGINE COMPARTMENT, LF, ADJACENT TO CRUISE CONTROL PUMP / GROUND
RSG6B	WHITE EYELET	ENGINE COMPARTMENT, RF, ADJACENT TO WASHER RESERVOIR / GROUND



# FIG 24 DATA

## COMPONENTS

DESCRIPTION	LOCATION	ACCESS
CENTER CONSOLE	BETWEEN DRIVER / PASSENGER SEAT	—
CENTRAL MICROPROCESSOR	BEHIND GLOVE BOX	RIGHT DASH UNDER PANEL
CLIMATE CONTROL PANEL	CENTER CONSOLE ABOVE RADIO	—
HEATER — REAR WINDOW	REAR WINDOW	—
MIRROR HEATER — DRIVER	DRIVER'S MIRROR	—
MIRROR HEATER — PASSENGER	PASSENGER'S MIRROR	—
RELAY MODULE F (F1 — RIGHT WINDSHIELD HEATER RELAY) (F2 — LEFT WINDSHIELD HEATER RELAY)	RIGHT DASH UNDER PANEL	RIGHT DASH UNDER PANEL
RELAY MODULE G (G3 — MIRROR HEATERS RELAY)	RIGHT REAR WHEEL ARCH	RIGHT TRUNK TRIM
RELAY MODULE K (K1 — HEATED REAR WINDOW RELAY)	LEFT WINDSHIELD	—
WINDSHIELD HEATER — LEFT	RIGHT WINDSHIELD	—
WINDSHIELD HEATER — RIGHT	—	—

## CONNECTORS

CODE	DESCRIPTION	LOCATION / INTERFACE
AC1	24-WAY AMP PCB SIGNAL (BLACK)	BEHIND CLIMATE CONTROL PANEL / CLIMATE CONTROL PANEL
DD14	GROTE AND HARTMAN (WHITE)	DRIVER'S DOOR INNER HINGE BRACKET / DRIVER'S MIRROR MOTOR, POTENTIOMETER AND HEATER
LB2	4-WAY MULTILOCK 70 (WHITE)	LEFT 'A' POST BOX SECTION / BULKHEAD HARNESS
LB11	20-WAY MULTILOCK 40 (BLUE)	REAR FACE OF LEFT BLOWER, UNDER FASCIA / BULKHEAD TO LF HARNESS
LB12	20-WAY MULTILOCK 40 (BLACK)	LEFT 'A' POST BOX SECTION / BULKHEAD HARNESS
LB34	12-WAY MULTILOCK 40 (GREEN)	BEHIND CENTER CONSOLE CLOCK / CENTER CONSOLE SWITCH PANEL
LB52	12-WAY MULTILOCK 70 (BLACK)	BENEATH RIGHT REAR SEAT BOX SECTION / REAR HARNESS
LB57	12-WAY MULTILOCK 40 (BLACK)	BELOW A/C CASE, RIGHT, NEAR A/C ECM / BULKHEAD HARNESS
LB60	48-WAY AMP PCB SIGNAL (YELLOW)	BEHIND GLOVE BOX ON CPU / CENTRAL MICROPROCESSOR
LB61	48-WAY AMP PCB SIGNAL (BLACK)	BEHIND GLOVE BOX ON CPU / CENTRAL MICROPROCESSOR
LB70	20-WAY AMP PCB POWER (BLUE)	RELAY MOUNTING BRACKET BELOW GLOVE BOX / RELAY MODULE G
LB71	20-WAY AMP PCB POWER (RED)	RELAY MOUNTING BRACKET BELOW GLOVE BOX / RELAY MODULE F
LB82	20-WAY MULTILOCK 40 (BLACK)	RIGHT 'A' POST BOX SECTION / BULKHEAD HARNESS
LB83	6-WAY MULTILOCK 70 (WHITE)	RIGHT 'A' POST BOX SECTION / BULKHEAD HARNESS
LS52	2-WAY AMP 187 C (SLATE)	RIGHT BULKHEAD, ADJACENT TO HOOD LATCH / RF WINDSHIELD HEATER
LS54	.250 BLADE (BLACK)	RIGHT 'E' POST BY TRIM PANEL / HEATED REAR WINDOW
LS61	2-WAY AMP 187 C (SLATE)	LEFT BULKHEAD, ADJACENT TO HOOD LATCH / LEFT WINDSHIELD HEATER
PD14	GROTE AND HARTMAN (WHITE)	PASSENGER'S DOOR INNER HINGE BRACKET / PASSENGER'S MIRROR MOTOR, POTENTIOMETER AND HEATER
RS38	20-WAY AMP PCTS POWER (BLUE)	BEHIND AND LEFT OF ANTENNA MOTOR / RELAY MODULE K
RS68	.250 BLADE (BLACK)	RIGHT 'E' POST BY TRIM PANEL / REAR WINDOW HEATER

## GROUNDINGS

CODE	DESCRIPTION	LOCATION / INTERFACE
HBG2	WHITE EYELET	LEFT 'E' POST TRIM BEHIND READING LIGHT / GROUND
LBG13A	WHITE EYELET	ABOVE LEFT FUSE PANEL ON 'A' POST / GROUND
LBG39B	WHITE EYELET	CENTER CONSOLE GROUND STUD BEHIND 'J' GATE / GROUND
LBG84B	WHITE EYELET	ABOVE RIGHT FUSE PANEL ON 'A' POST / GROUND
LSG8A	WHITE EYELET	ENGINE COMPARTMENT BULKHEAD BEHIND CYLINDER HEAD / GROUND
LSG8B	WHITE EYELET	ENGINE COMPARTMENT, LF, ADJACENT TO CRUISE CONTROL PUMP / GROUND

## INPUTS / OUTPUTS

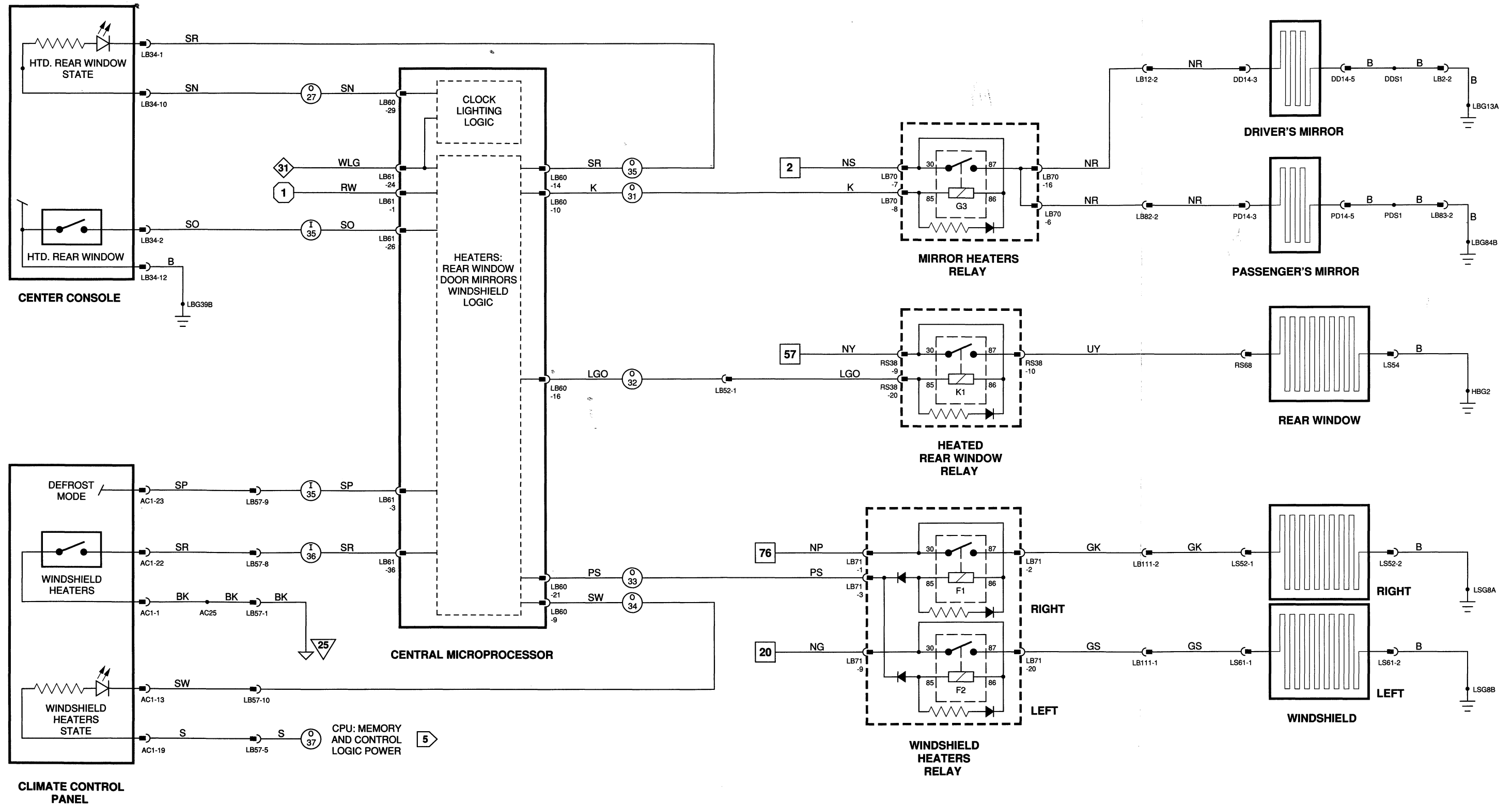
### CENTRAL MICROPROCESSOR

#### INPUTS

CODE	CIRCUIT	ACTIVE	INACTIVE
LB61-24	IGNITION SWITCHED POWER	KEY ON: 12V	KEY OFF: OPEN CIRCUIT
LB61-1	ENGINE START INPUT	IGNITION CRANK POSITION: GROUND	KEY OUT: OPEN CIRCUIT
35 LB61-3	CLIMATE CONTROL DEFROST	DEFROST PRESSED: GROUND	DEFROST RELEASED: OPEN CIRCUIT
36 LB61-36	FRONT WINDSHIELD HEATER SWITCH	SWITCH PRESSED: GROUND	SWITCH RELEASED: OPEN CIRCUIT

#### OUTPUTS

CODE	CIRCUIT	ACTIVE	INACTIVE
27 LB60-29	CLOCK ILLUMINATION POWER	12V	12V
31 LB60-10	DOOR MIRROR HEATERS	MIRROR HEATERS ON: GROUND	MIRROR HEATERS OFF: 12V
32 LB60-16	REAR WINDOW HEATER	WINDOW HEATER ON: GROUND	HEATER OFF: 12V
33 LB60-21	WINDSHIELD HEATER	WINDSHIELD HEATER ON: GROUND	HEATER OFF: 12V
34 LB60-9	WINDSHIELD HEATER — STATE (ON/OFF)	STATE LIGHT ON: GROUND	LIGHT OFF: 12V
35 LB60-14	HEATED REAR WINDOW — STATE (ON/OFF)	STATE LIGHT ON: GROUND	LIGHT OFF: 12V



# FIG 25 DATA

## COMPONENTS

DESCRIPTION	LOCATION	ACCESS
CENTRAL MICROPROCESSOR	BEHIND GLOVE BOX	RIGHT DASH UNDER PANEL
COLUMN SWITCH GEAR (WIPE / WASH SWITCHES)	STEERING COLUMN	LEFT DASH UNDER PANEL
FASCIA SWITCH PACK	STEERING COLUMN, RIGHT	—
HEADLIGHT WASH PUMP	FASCIA	RIGHT FRONT LOWER FENDER
RELAY MODULE D (D1 — HEADLIGHT WASH RELAY) (D2 — WINDSHIELD WASH RELAY)	HEADLIGHT WASHER RESERVOIR BEHIND RIGHT HEADLIGHT	ENGINE COMPARTMENT
RELAY MODULE E (E1 — WIPER MOTOR RELAY) (E2 — WIPER SLOW / FAST RELAY)	BEHIND LEFT HEADLIGHT	ENGINE COMPARTMENT
WASHER FLUID LEVEL SENSOR	RIGHT FRONT WHEEL ARCH BEHIND PANEL	WHEEL ARCH PANEL
WINDSHIELD WASH PUMP	WASHER FLUID RESERVOIR	RIGHT FRONT WHEEL ARCH, BEHIND PANEL
WIPER MOTOR	LEFT BULKHEAD	ENGINE COMPARTMENT

## CONNECTORS

CODE	DESCRIPTION	LOCATION / INTERFACE
LB9	12-WAY MULTILOCK 70 (WHITE)	LEFT 'A' POST, ABOVE FUSE PANEL / BULKHEAD HARNESS
LB10	20-WAY MULTILOCK 40 (BLACK)	REAR FACE OF LEFT BLOWER, UNDER FASCIA / BULKHEAD TO LF HARNESS
LB11	20-WAY MULTILOCK 40 (BLUE)	REAR FACE OF LEFT BLOWER, UNDER FASCIA / BULKHEAD TO LF HARNESS
LB20	20-WAY MULTILOCK 40 (BLUE)	LEFT DASH UNDER PANEL, BELOW FASCIA / FASCIA SWITCH PACK
LB22B	16-WAY MULTILOCK 40 (BLACK)	LEFT BLOWER MOTOR HOUSING BRACKET / LEFT SPLICE BOX
LB23B	16-WAY MULTILOCK 40 (BLUE)	LEFT BLOWER MOTOR HOUSING BRACKET / LEFT SPLICE BOX
LB24B	16-WAY MULTILOCK 40 (GREEN)	LEFT BLOWER MOTOR HOUSING BRACKET / LEFT SPLICE BOX
LB33	12-WAY MULTILOCK 40 (GREEN)	LOWER RIGHT OF STEERING COLUMN / STEERING COLUMN CYCLE SWITCH
LB35	12-WAY MULTILOCK 40 (BLACK)	LOWER RIGHT OF STEERING COLUMN / STEERING COLUMN SWITCH GEAR
LB60	48-WAY AMP PCB SIGNAL (YELLOW)	BEHIND GLOVE BOX ON CPU / CENTRAL MICROPROCESSOR
LB61	48-WAY AMP PCB SIGNAL (BLACK)	BEHIND GLOVE BOX ON CPU / CENTRAL MICROPROCESSOR
LB79B	16-WAY MULTILOCK 40 (BLACK)	RIGHT BLOWER MOTOR, ABOVE VACUUM VALVE / RIGHT SPLICE BOX
LB80B	16-WAY MULTILOCK 40 (GREEN)	RIGHT BLOWER MOTOR, ABOVE VACUUM VALVE / RIGHT SPLICE BOX
LB88	20-WAY MULTILOCK 40 (BLACK)	REAR FACE OF RIGHT BLOWER, UNDER FASCIA / BULKHEAD TO RF HARNESS
LS7	6-WAY ECONOSEAL III HC (BLACK)	LEFT BULKHEAD NEXT TO BRAKE RESERVOIR / WIPER MOTOR
LS70	20-WAY AMP PCB POWER (BLACK)	LEFT HEADLIGHT BRACKET BELOW HOOD HINGE / RELAY MODULE E
RS13	4-WAY ECONOSEAL III LC (BLACK)	RF WHEEL ARCH, BEHIND PANEL / WINDSHIELD WASH FLUID LEVEL SENSOR
RS14	2-WAY ECONOSEAL III HC (BLACK)	RF WHEEL ARCH, BEHIND PANEL / HEADLIGHT WASHER PUMP
RS21	20-WAY AMP PCB POWER (RED)	BEHIND RIGHT HEADLIGHT / RELAY MODULE D
SC2	6-WAY PMHD (YELLOW)	STEERING COLUMN SWITCH GEAR, LEFT / WASH/WIPE SWITCH
SW1	4-WAY ECONOSEAL III HC (BLACK)	BEHIND RIGHT FRONT WHEEL ARCH COVER / WINDSHIELD WASHER PUMP

## GROUND

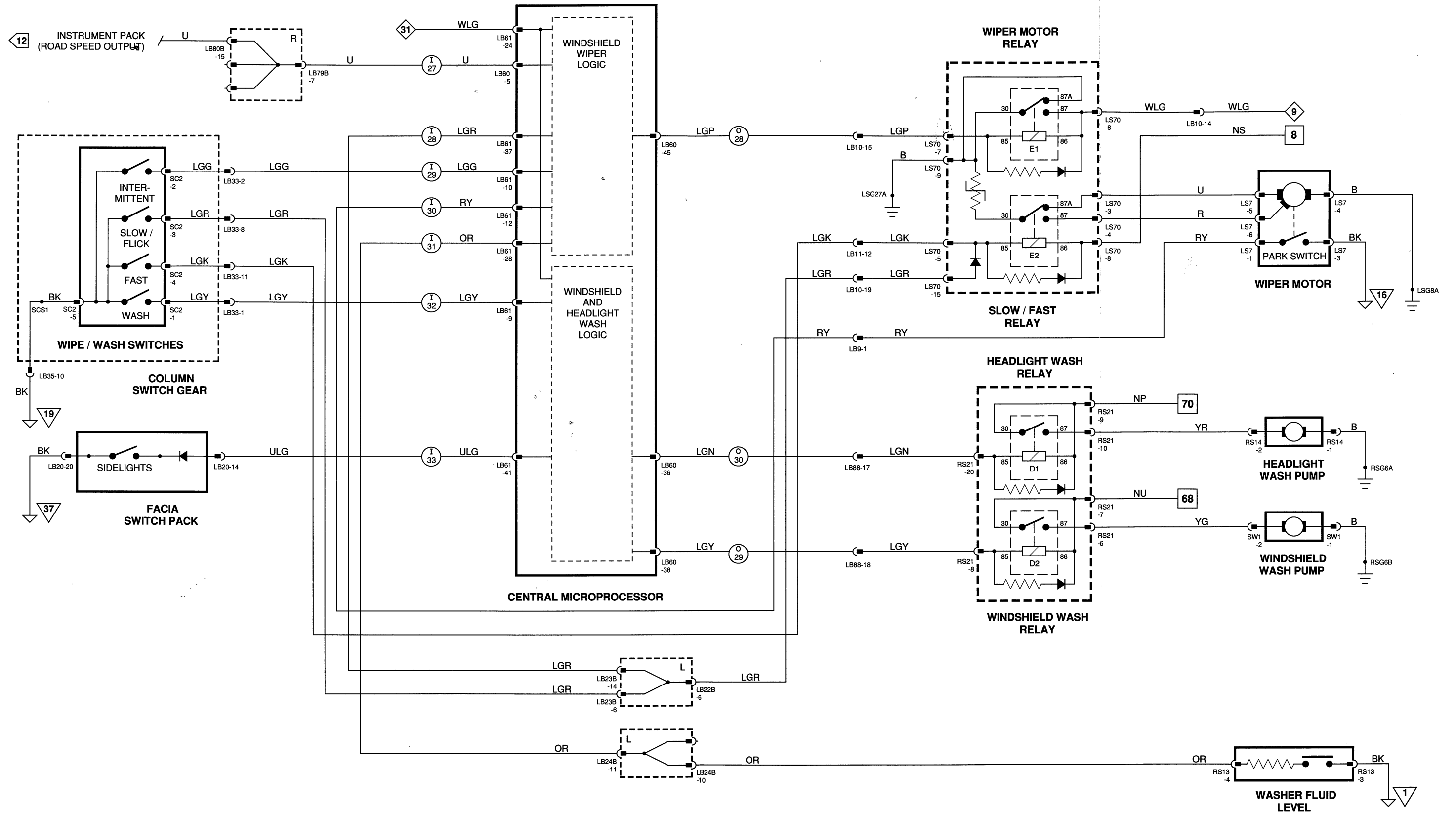
CODE	DESCRIPTION	LOCATION / INTERFACE
LSG8A	WHITE EYELET	ENGINE COMPARTMENT BULKHEAD BEHIND CYLINDER HEAD / GROUND
LSG27A	WHITE EYELET	ENGINE COMPARTMENT, LF, ADJACENT TO CRUISE CONTROL PUMP / GROUND
RSG6A	WHITE EYELET	ENGINE COMPARTMENT, RF, ADJACENT TO WASHER RESERVOIR / GROUND
RSG6B	WHITE EYELET	ENGINE COMPARTMENT, RF, ADJACENT TO WASHER RESERVOIR / GROUND

## INPUTS / OUTPUTS

### CENTRAL MICROPROCESSOR

INPUTS		ACTIVE	INACTIVE
CODE	CIRCUIT		
27 LB61-24	IGNITION SWITCHED POWER	KEY ON: 12V	KEY OFF: OPEN CIRCUIT
27 LB60-5	ROAD SPEED INPUT	O MPH: 5 MV AC	10 MPH: 2.2V AC
28 LB61-37	SLOW/FLICK WIPER SWITCH	SLOW OR FLICK: GROUND	WIPERS OFF: OPEN CIRCUIT
29 LB61-10	INTERMITTENT WIPER SWITCH	INTERMITTENT: GROUND	WIPERS OFF: OPEN CIRCUIT
30 LB61-12	WIPER PARK SWITCH	WIPER NOT PARKED: GROUND	WIPER PARKED: OPEN CIRCUIT
31 LB61-28	LOW WINDSHIELD WASHER FLUID	LEVEL NORMAL GROUND	LEVEL LOW: 12V
32 LB61-9	WASH / WIPE SWITCH	BUTTON PRESSED: GROUND	BUTTON RELEASED: OPEN CIRCUIT
33 LB61-41	SIDE LIGHTS ON WARNING	LIGHTS ON: GROUND	LIGHTS OFF: OPEN CIRCUIT
OUTPUTS		ACTIVE	INACTIVE
CODE	CIRCUIT		
28 LB60-45	WIPER MOTOR	WIPERS SWEEPING: GROUND	WIPERS PARKED: 12V
29 LB60-38	WINDSHIELD WASHER MOTOR	PUMP ON: GROUND	PUMP OFF: 12V
30 LB60-36	HEADLIGHT WASHER MOTOR	PUMP ON WITH HEADLIGHTS: GROUND	PUMP OFF: 12V





# FIG 26 DATA

## COMPONENTS

### DESCRIPTION

BRAKE SWITCH  
 (BRAKE LIGHTS)  
 (CRUISE CONTROL INHIBIT)  
 CRUISE CONTROL ECU  
 DUMP VALVE  
 VACUUM PUMP AND CONTROL VALVE

### LOCATION

ABOVE BRAKE PEDAL  
 ABOVE BRAKE PEDAL  
 ABOVE BRAKE PEDAL  
 PASSENGER'S FOOTWELL  
 LEFT FRONT INNER FENDER  
 LEFT FRONT INNER FENDER

### ACCESS

LEFT DASH UNDER PANEL  
 LEFT DASH UNDER PANEL  
 LEFT DASH UNDER PANEL  
 RIGHT DASH UNDER PANEL  
 ENGINE COMPARTMENT  
 ENGINE COMPARTMENT

## CONNECTORS

### CODE

### DESCRIPTION

### LOCATION / INTERFACE

LB9	12-WAY MULTILOCK 70 (WHITE)	LEFT 'A' POST, ABOVE FUSE PANEL / BULKHEAD HARNESS
LB26	18-WAY MULTILOCK 70 (YELLOW)	REAR OF TRIP COMPUTER BY STEERING COLUMN / TRIP COMPUTER
LB29	4-WAY MULTILOCK 70 (WHITE)	LOWER STEERING COLUMN, ABOVE BRAKE PEDAL / BRAKE/CRUISE SWITCH
LB30	2-WAY MULTILOCK 70 (YELLOW)	LOWER STEERING COLUMN, ABOVE BRAKE PEDAL / CRUISE LINK LEAD
LB66	20-WAY AMP PCB POWER (BLACK)	MOUNTING BRACKET UNDER GLOVE BOX / BULKHEAD HARNESS
LB79A	12-WAY MULTILOCK 40 (BLACK)	RIGHT BLOWER MOTOR, ABOVE VACUUM VALVE / RIGHT SPLICE BOX
LB79B	16-WAY MULTILOCK 40 (BLACK)	RIGHT BLOWER MOTOR, ABOVE VACUUM VALVE / RIGHT SPLICE BOX
LB80B	16-WAY MULTILOCK 40 (GREEN)	RIGHT BLOWER MOTOR, ABOVE VACUUM VALVE / RIGHT SPLICE BOX
LS30	CRUISE CONTROL PUMP (BLACK)	ON CRUISE CONTROL PUMP NEXT TO LEFT AIR INLET / CRUISE CONTROL PUMP
LS31	PM 5 (BLACK)	BEHIND LEFT HEADLIGHT NEAR AIR INLET / CRUISE CONTROL DUMP VALVE

## INPUTS / OUTPUTS

### CRUISE CONTROL ECU

### CODE

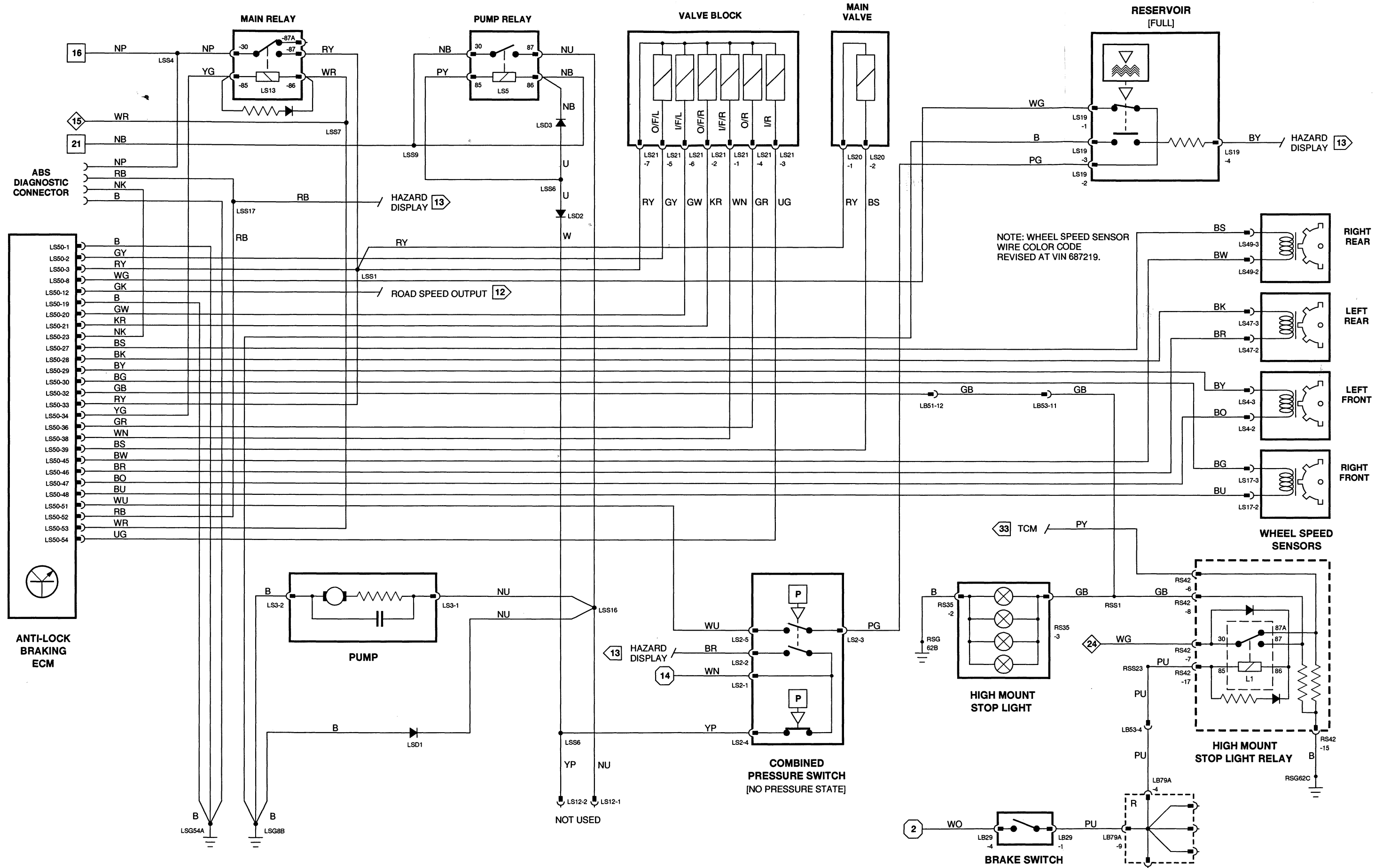
### IN / OUT

### CIRCUIT

### ACTIVE

### INACTIVE

LB66-1	INPUT	IGNITION SWITCHED POWER	KEY ON: 12V	KEY OFF: OPEN CIRCUIT
LB66-3	OUTPUT	DUMP VALVE / PUMP UNIT	GROUND	12V
LB66-6	INPUT	ROAD SPEED	PULSED SIGNAL	KEY ON: 5V
LB66-10	OUTPUT	CONTROL VALVE	GROUND	12V
LB66-11	OUTPUT	LOGIC GROUND	GROUND	GROUND
LB66-12	INPUT	CRUISE CONTROL ON/OFF SWITCH	KEY ON: 12V	BRAKES APPLIED: OPEN CIRCUIT
LB66-14	OUTPUT	DUMP VALVE GROUND	GROUND	12V
LB66-15	INPUT	BRAKE SWITCH	BRAKES APPLIED: GROUND	BRAKES OFF: 12V
LB66-17	INPUT	SET / ACCEL. / RESUME SWITCH	SET / ACCEL.: 2.7V	RESUME / COAST: 5.5V
LB66-18	INPUT	TRANSMISSION CRUISE CONTROL INHIBIT	D, 3, 2: 12V	P, R, N: GROUND
LB66-20	INPUT	VACUUM PUMP GROUND	GROUND	12V



NOTE: WHEEL SPEED SENSOR WIRE COLOR CODE REVISED AT VIN 687219.

BATTERY POWER (FIG 1)
  IGNITION POWER (FIG 2)
  IGNITION SWITCHED GROUND (FIG 3)
  LOGIC GROUND (FIG 4)
  CPU INPUTS / OUTPUTS (FIG 5)
  FIG NUMBER REFERENCE

# FIG 27 DATA

## COMPONENTS

DESCRIPTION	LOCATION	ACCESS
<b>BRAKE SWITCH</b> (BRAKE LIGHTS) (CRUISE CONTROL INHIBIT) CRUISE CONTROL ECM	ABOVE BRAKE PEDAL ABOVE BRAKE PEDAL ABOVE BRAKE PEDAL PASSENGER'S FOOTWELL (DRIVER'S FOOTWELL FOR VEHICLES EQUIPPED W/PASSENGER SIDE AIR BAG) LEFT FRONT INNER FENDER LEFT FRONT INNER FENDER	LEFT DASH UNDER PANEL LEFT DASH UNDER PANEL LEFT DASH UNDER PANEL RIGHT DASH UNDER PANEL
DUMP VALVE VACUUM PUMP AND CONTROL VALVE		ENGINE COMPARTMENT ENGINE COMPARTMENT

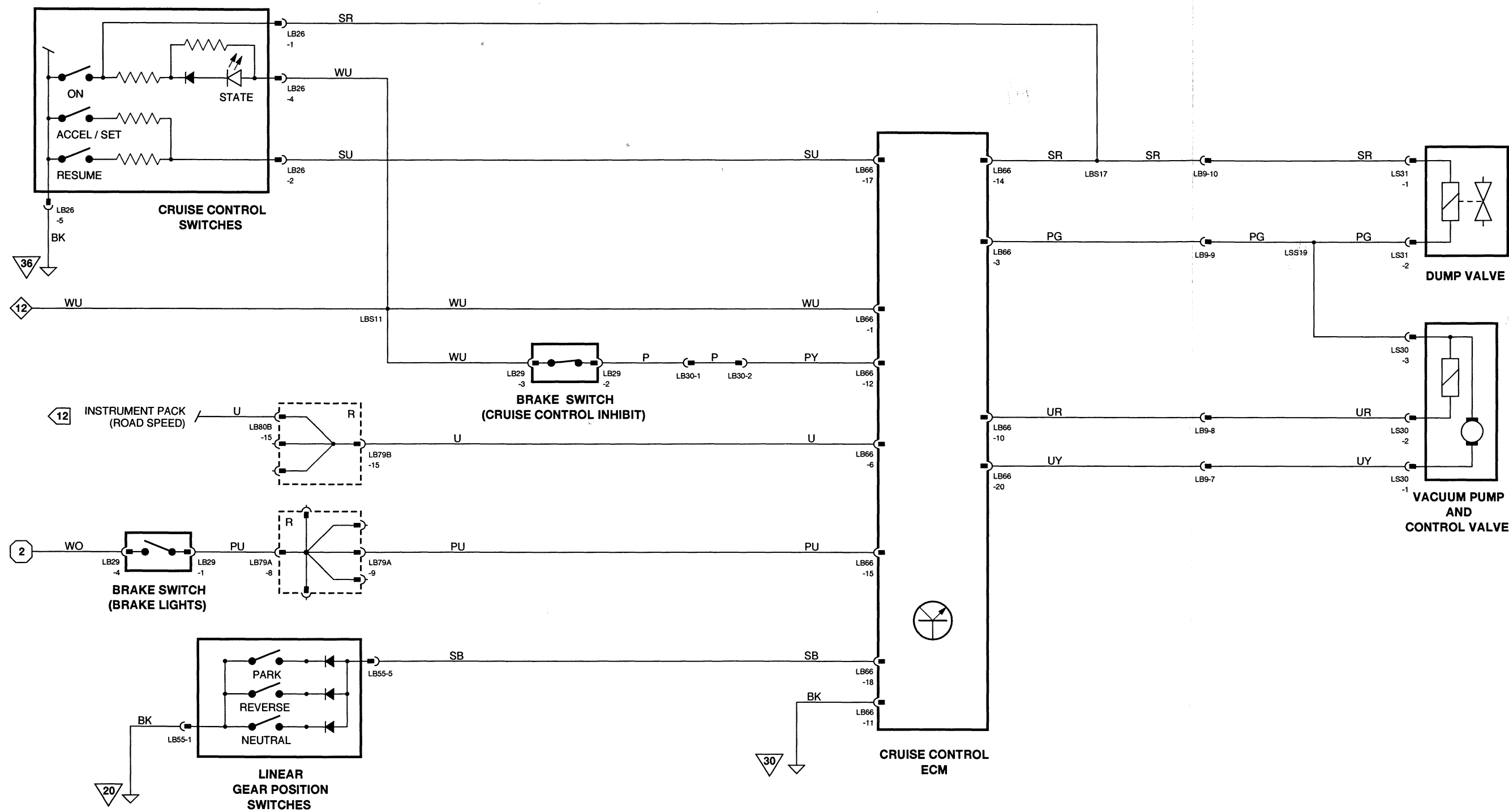
## CONNECTORS

CODE	DESCRIPTION	LOCATION / INTERFACE
LB9	12-WAY MULTILOCK 70 (WHITE)	LEFT 'A' POST, ABOVE FUSE PANEL / BULKHEAD HARNESS
LB26	18-WAY MULTILOCK 70 (YELLOW)	REAR OF TRIP COMPUTER BY STEERING COLUMN / TRIP COMPUTER
LB29	4-WAY MULTILOCK 70 (WHITE)	LOWER STEERING COLUMN, ABOVE BRAKE PEDAL / BRAKE/CRUISE SWITCH
LB30	2-WAY MULTILOCK 70 (YELLOW)	LOWER STEERING COLUMN, ABOVE BRAKE PEDAL / CRUISE LINK LEAD
LB66	20-WAY AMP PCB POWER (BLACK)	MOUNTING BRACKET UNDER GLOVE BOX / CRUISE CONTROL ECM
LB79A	12-WAY MULTILOCK 40 (BLACK)	RIGHT BLOWER MOTOR, ABOVE VACUUM VALVE / RIGHT SPLICE BOX
LB79B	16-WAY MULTILOCK 40 (BLACK)	RIGHT BLOWER MOTOR, ABOVE VACUUM VALVE / RIGHT SPLICE BOX
LB80B	16-WAY MULTILOCK 40 (GREEN)	RIGHT BLOWER MOTOR, ABOVE VACUUM VALVE / RIGHT SPLICE BOX
LS30	CRUISE CONTROL PUMP (BLACK)	ON CRUISE CONTROL PUMP NEXT TO LEFT AIR INLET / CRUISE CONTROL PUMP
LS31	PM 5 (BLACK)	BEHIND LEFT HEADLIGHT NEAR AIR INLET / CRUISE CONTROL DUMP VALVE

## INPUTS / OUTPUTS

### CRUISE CONTROL ECM

CODE	IN / OUT	CIRCUIT	ACTIVE	INACTIVE
LB66-1	INPUT	IGNITION SWITCHED POWER	KEY ON: 12V	KEY OFF: OPEN CIRCUIT
LB66-3	OUTPUT	DUMP VALVE / PUMP UNIT	GROUND	12V
LB66-6	INPUT	ROAD SPEED	PULSED SIGNAL	KEY ON: 5V
LB66-10	OUTPUT	CONTROL VALVE	GROUND	12V
LB66-11	OUTPUT	LOGIC GROUND	GROUND	GROUND
LB66-12	INPUT	CRUISE CONTROL ON/OFF SWITCH	KEY ON: 12V	BRAKES APPLIED: OPEN CIRCUIT
LB66-14	OUTPUT	DUMP VALVE GROUND	GROUND	12V
LB66-15	INPUT	BRAKE SWITCH	BRAKES APPLIED: GROUND	BRAKES OFF: 12V
LB66-17	INPUT	SET / ACCEL. / RESUME SWITCH	SET / ACCEL.: 2.7V	RESUME / COAST: 5.5V
LB66-18	INPUT	TRANSMISSION CRUISE CONTROL INHIBIT	D, 3, 2: 12V	P, R, N: GROUND
LB66-20	INPUT	VACUUM PUMP GROUND	GROUND	12V



# FIG 28 DATA

## COMPONENTS

### DESCRIPTION

ANTENNA  
 ANTENNA MOTOR  
 ANTENNA MOTOR ASSEMBLY  
 CD AUTO CHANGER  
 CD HEAD  
 CENTRAL MICROPROCESSOR  
 RADIO  
 RELAY MODULE K  
 (K2 — ANTENNA UP RELAY)  
 (K3 — ANTENNA DOWN RELAY)  
 SPEAKER — LEFT FRONT BASS  
 SPEAKER — LEFT FRONT TWEETER  
 SPEAKER — LEFT REAR BASS  
 SPEAKER — LEFT REAR TWEETER  
 SPEAKER — RIGHT FRONT BASS  
 SPEAKER — RIGHT FRONT TWEETER  
 SPEAKER — RIGHT REAR BASS  
 SPEAKER — RIGHT REAR TWEETER

### LOCATION

RIGHT REAR FENDER  
 TRUNK, RIGHT  
 TRUNK, RIGHT REAR  
 TRUNK, RIGHT, ABOVE BATTERY  
 CENTER CONSOLE / RADIO  
 BEHIND GLOVE BOX  
 CENTER CONSOLE  
 RIGHT REAR WHEEL ARCH  
 DRIVER'S DOOR  
 LEFT FRONT FASCIA  
 LEFT REAR DOOR  
 LEFT PARCEL SHELF  
 PASSENGER'S DOOR  
 RIGHT FRONT FASCIA  
 RIGHT REAR DOOR  
 RIGHT PARCEL SHELF

### ACCESS

—  
 TRUNK TRIM PANEL, RIGHT  
 TRUNK TRIM PANEL, RIGHT  
 —  
 RADIO  
 RIGHT DASH UNDER PANEL  
 —  
 RIGHT TRUNK TRIM  
 DRIVER'S DOOR CASING  
 FASCIA  
 LEFT REAR DOOR CASING  
 PARCEL SHELF  
 PASSENGER'S DOOR CASING  
 FASCIA  
 RIGHT REAR DOOR CASING  
 PARCEL SHELF

## CONNECTORS

### CODE

### DESCRIPTION

### LOCATION / INTERFACE

DD12	2-WAY GROTE AND HARTMAN MDK (BLACK)	DRIVER'S DOOR, BOTTOM FRONT / LEFT FRONT BASS SPEAKER
FL1	2-WAY AMP MODU (BLACK)	UPPER LEFT FASCIA BY WINDSHIELD / LEFT FRONT TWEETER SPEAKER
FL2	2-WAY AMP MODU (BLACK)	UPPER RIGHT FASCIA BY WINDSHIELD / RIGHT FRONT TWEETER SPEAKER
LB11	20-WAY MULTILOCK 40 (BLUE)	REAR FACE OF LEFT BLOWER, UNDER FASCIA / BULKHEAD TO LF HARNESS
LB14	20-WAY MULTILOCK 40 (GREEN)	LEFT 'A' POST BOX SECTION / BULKHEAD HARNESS
LB22A	12-WAY MULTILOCK 40 (BLACK)	LEFT BLOWER MOTOR HOUSING BRACKET / LEFT SPLICE BOX
LB23A	12-WAY MULTILOCK 40 (BLUE)	LEFT BLOWER MOTOR HOUSING BRACKET / LEFT SPLICE BOX
LB24A	12-WAY MULTILOCK 40 (GREEN)	LEFT BLOWER MOTOR HOUSING BRACKET / LEFT SPLICE BOX
LB36	14-WAY MULTILOCK 70 (WHITE)	BEHIND CENTER CONSOLE RADIO / RADIO
LB53	12-WAY MULTILOCK 70 (WHITE)	BENEATH RIGHT REAR SEAT BOX SECTION / BULKHEAD TO REAR HARNESS
LB60	48-WAY AMP PCB SIGNAL (YELLOW)	BEHIND GLOVE BOX ON CPU / CENTRAL MICROPROCESSOR
LB61	48-WAY AMP PCB SIGNAL (BLACK)	BEHIND GLOVE BOX ON CPU / CENTRAL MICROPROCESSOR
LB80A	12-WAY MULTILOCK 40 (GREEN)	RIGHT BLOWER MOTOR, ABOVE VACUUM VALVE / RIGHT SPLICE BOX
LB80B	16-WAY MULTILOCK 40 (GREEN)	RIGHT BLOWER MOTOR, ABOVE VACUUM VALVE / RIGHT SPLICE BOX
LB81A	12-WAY MULTILOCK 40 (BLUE)	RIGHT BLOWER MOTOR, ABOVE VACUUM VALVE / RIGHT SPLICE BOX
LB81B	16-WAY MULTILOCK 40 (BLUE)	RIGHT BLOWER MOTOR, ABOVE VACUUM VALVE / RIGHT SPLICE BOX
LB82	20-WAY MULTILOCK 40 (BLACK)	RIGHT 'A' POST BOX SECTION / BULKHEAD HARNESS
LB87	20-WAY MULTILOCK 40 (GREEN)	REAR FACE OF RIGHT BLOWER, UNDER FASCIA / BULKHEAD TO RF HARNESS
LB98	12-WAY MULTILOCK 40 (BLUE)	ADJACENT TO A/C ECM, RIGHT / BULKHEAD HARNESS
LS40	2-WAY AMP MODU (BLACK)	LEFT PARCEL SHELF NEAR 'E' POST / LR TWEETER SPEAKER
PD12	2-WAY GROTE AND HARTMAN MDK (BLACK)	PASSENGER'S DOOR, BOTTOM FRONT / RIGHT FRONT BASS SPEAKER
RRD9	12-WAY MULTILOCK 40 (BLACK)	RIGHT 'B/C' POST BOX SECTION, BY SEAT BELT / RR HARNESS
RRD12	2-WAY GROTE AND HARTMAN MDK (BLACK)	RR DOOR, BOTTOM OF DOOR / RR BASS SPEAKER
RS22	DIN CABLE (BLACK)	BEHIND CD AUTOCHANGER / CD AUTOCHANGER CABLE
RS23	DIN CABLE (BLACK)	BEHIND RADIO / CD AUTOCHANGER CABLE
RS25	COAXIAL CABLE	BEHIND RADIO / ANTENNA UP/DOWN SIGNAL
RS26	COAXIAL CABLE	ANTENNA ASSEMBLY / ANTENNA COAXIAL
RS36	2-WAY AMP MODU (BLACK)	RIGHT PARCEL SHELF BY 'E' POST / RIGHT REAR TWEETER SPEAKER
RS38	20-WAY AMP PCTS POWER (BLUE)	BEHIND AND LEFT OF ANTENNA MOTOR / RELAY MODULE K
RS59	PM 5 (BLACK)	ADJACENT TO ANTENNA MOTOR ON WHEEL ARCH / ANTENNA MOTOR
RS96	6-WAY YAZAKI (WHITE)	FITTED TO ANTENNA MOTOR UNIT / RIGHT REAR TRUNK TRIM

## GROUNDS

### CODE

### DESCRIPTION

### LOCATION / INTERFACE

CEG2	WHITE EYELET	BENEATH RADIO AT CENTER CONSOLE STUD / GROUND
RSG62C	WHITE EYELET	TRUNK, RIGHT, BELOW BULB FAIL MODULE / GROUND

## INPUTS / OUTPUTS

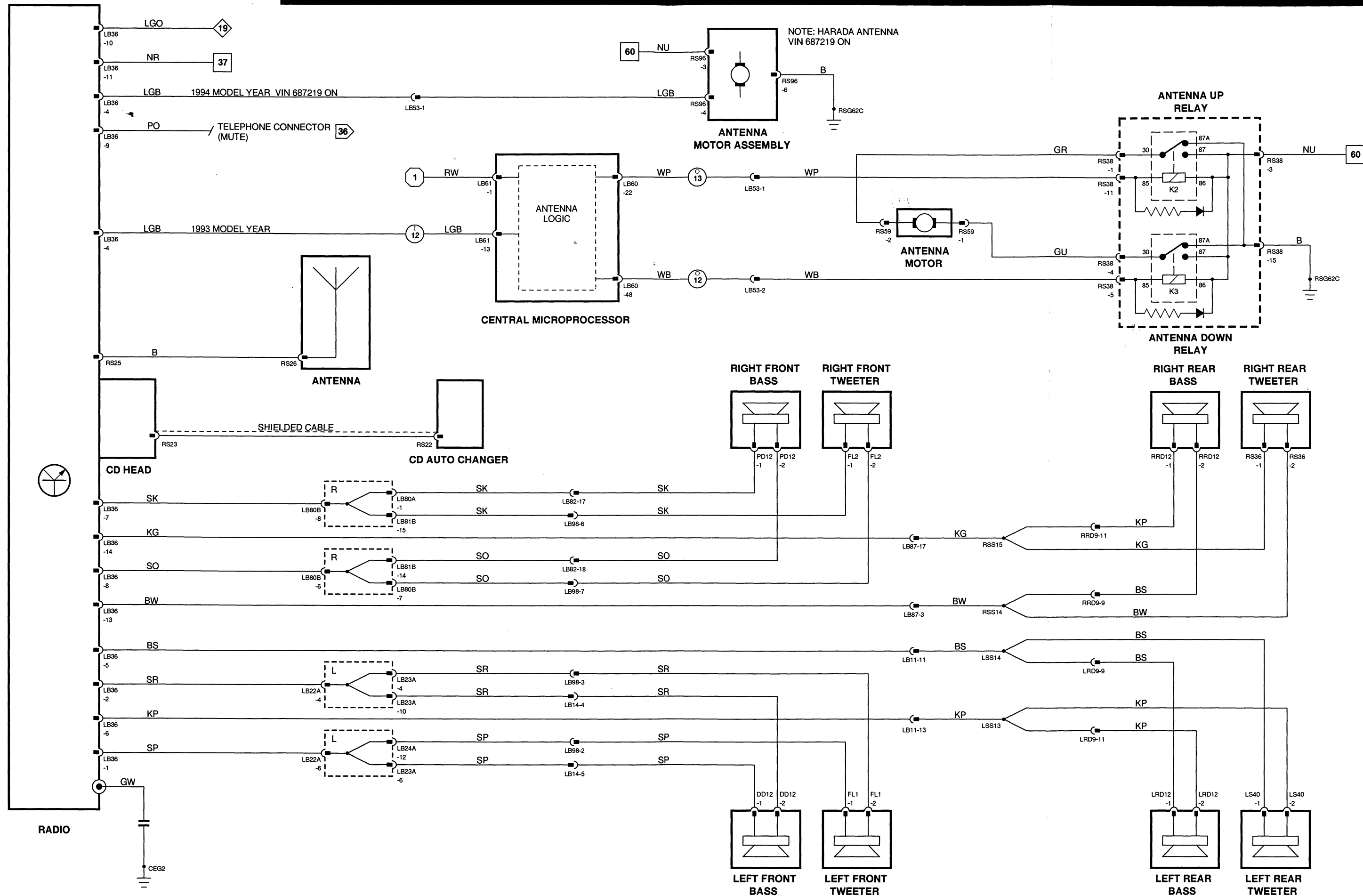
### CENTRAL MICROPROCESSOR

#### INPUTS

CODE	CIRCUIT	ACTIVE	INACTIVE
12 LB61-13	RADIO ON INPUT (KEY ON)	RADIO ON: 12V	RADIO OFF: 0V
LB61-1	ENGINE START INPUT	IGNITION CRANK POSITION: GROUND	KEY OUT: OPEN CIRCUIT

#### OUTPUTS

CODE	CIRCUIT	ACTIVE	INACTIVE
12 LB60-48	ANTENNA DOWN	ANTENNA DOWN: GROUND	ANTENNA UP: 12V
13 LB60-22	ANTENNA UP	ANTENNA UP: GROUND	ANTENNA DOWN: 12V



BATTERY POWER (FIG 1)  
  IGNITION POWER (FIG 2)  
  IGNITION SWITCHED GROUND (FIG 3)  
  LOGIC GROUND (FIG 4)  
  CPU INPUTS / OUTPUTS (FIG 5)  
  FIG NUMBER REFERENCE

# FIG 29 DATA

## COMPONENTS

### DESCRIPTION

AMBIENT TEMPERATURE SENSOR  
 ASPIRATOR  
 BLOWER — LEFT  
 BLOWER — RIGHT  
 CLIMATE CONTROL ECM  
 CLIMATE CONTROL PANEL  
 CLIMATE CONTROL SOLENOID VALVE BLOCK  
 COOLANT TEMPERATURE SWITCH  
 EVAPORATOR TEMPERATURE SENSOR  
 FEEDBACK POTENTIOMETER — LOWER  
 FEEDBACK POTENTIOMETER — UPPER  
 IN-CAR TEMPERATURE SENSOR  
 MAIN RECIRCULATION SOLENOID  
 SERVO — LOWER  
 SERVO — UPPER  
 SOLAR SENSOR

### LOCATION

LOWER A/C DISCHARGE, RF  
 LOWER A/C DISCHARGE, RF  
 LEFT BULKHEAD  
 RIGHT BULKHEAD  
 RIGHT SIDE OF EVAPORATOR CASE  
 CENTER CONSOLE ABOVE RADIO  
 BELOW LEFT A/C CASE  
 HEATER CORE, LEFT, ON PIPE  
 EVAPORATOR CASE, RIGHT  
 EVAPORATOR CASE, LEFT LOWER  
 EVAPORATOR CASE, LEFT UPPER  
 LOWER A/C DISCHARGE, RF  
 BENEATH EVAPORATOR CASE, RIGHT  
 LOWER EVAPORATOR CASE, RIGHT  
 UPPER EVAPORATOR CASE, RIGHT  
 CENTER OF FASCIA

### ACCESS

RIGHT DASH UNDER PANEL  
 RIGHT DASH UNDER PANEL  
 LEFT DASH UNDER PANEL  
 RIGHT DASH UNDER PANEL  
 RIGHT DASH UNDER PANEL  
 —  
 CONSOLE CHECK PANEL, LEFT  
 A/C HOUSING, LEFT  
 RIGHT DASH UNDER PANEL  
 LEFT DASH UNDER PANEL  
 LEFT DASH UNDER PANEL  
 RIGHT DASH UNDER PANEL  
 RIGHT DASH UNDER PANEL  
 RIGHT DASH UNDER PANEL  
 RIGHT DASH UNDER PANEL  
 —

## CONNECTORS

### CODE

### DESCRIPTION

AC1 24-WAY AMP PCB SIGNAL (BLACK)  
 AC2 15-WAY JST FIXED (WHITE)  
 AC3 15-WAY JST FIXED (WHITE)  
 AC4 15-WAY JST FIXED (WHITE)  
 AC5 5-WAY JST LOOSE (BLACK)  
 AC6 8-WAY JST LOOSE (BLACK)  
 AC9 3-WAY JST (BLUE)  
 AC10 3-WAY JST (BLACK)  
 AC11 3-WAY JST (BLACK)  
 AC12 3-WAY JST (RED)  
 AC13 3-WAY JST (RED)  
 AC14 BLADE CONNECTOR (WHITE)  
 AC15 BLADE CONNECTOR (WHITE)  
 AC26 6-WAY SUMITOMO (WHITE)  
 AC27 3-WAY JST (WHITE)  
 AC28 6-WAY MULTILOCK 70 (WHITE)  
 AC29 .250 BLADE (WHITE)  
 AC30 .250 BLADE (WHITE)  
 FL3 6-WAY AMP MODU (BLACK)  
 FL4 4-WAY AMP MODU (BLACK)  
 LB32 PM 5 (BROWN)  
 LB57 12-WAY MULTILOCK 40 (BLACK)  
 LB62 PM 5 (BROWN)

### LOCATION / INTERFACE

BEHIND CLIMATE CONTROL PANEL / CLIMATE CONTROL PANEL  
 A/C ECM TOP CONNECTOR  
 A/C ECM MIDDLE CONNECTOR  
 A/C ECM BOTTOM CONNECTOR  
 LEFT OF A/C CASE BY BULKHEAD / LEFT BLOWER MOTOR  
 RIGHT OF A/C CASE BY BULKHEAD / RIGHT BLOWER MOTOR  
 ADJACENT TO A/C ECM / EVAPORATOR TEMPERATURE SENSOR  
 LEFT OF A/C CASE / UPPER FEEDBACK POTENTIOMETER  
 LEFT OF A/C CASE / LOWER FEEDBACK POTENTIOMETER  
 RIGHT OF A/C CASE / LOWER SERVO MOTOR  
 RIGHT OF A/C CASE / UPPER SERVO MOTOR  
 LEFT OF A/C CASE / COOLANT TEMPERATURE SWITCH  
 LEFT OF A/C CASE / COOLANT TEMPERATURE SWITCH  
 RIGHT DASH UNDER PANEL / BLOWN ASPIRATOR AND IN-CAR TEMPERATURE SENSOR  
 PASSENGER'S LOWER AIR REGISTER / IN-CAR TEMPERATURE SENSOR  
 LEFT OF A/C CASE, BELOW / DEFROST SOLENOID  
 RIGHT OF A/C CASE, BELOW / MAIN RECIRCULATION SOLENOID  
 RIGHT OF A/C CASE, BELOW / MAIN RECIRCULATION SOLENOID  
 TOP CENTER OF FASCIA / SOLAR SENSOR  
 RIGHT OF A/C CASE BY A/C ECM / A/C HARNESS TO SOLAR SENSOR  
 LEFT BLOWER MOTOR / BLOWER HIGH SPEED AND ISOLATION RELAY  
 BELOW A/C CASE, RIGHT, NEAR A/C ECM / BULKHEAD HARNESS  
 BEHIND CPU BRACKET / BLOWER MOTOR HIGH SPEED/ISOLATION RELAY

## GROUND

### CODE

### DESCRIPTION

LBG13B WHITE EYELET  
 LBG39C WHITE EYELET  
 LBG84A WHITE EYELET

### LOCATION / INTERFACE

ABOVE LEFT FUSE PANEL ON 'A' POST / GROUND  
 CENTER CONSOLE GROUND STUD BEHIND 'J' GATE / GROUND  
 ABOVE RIGHT FUSE PANEL ON 'A' POST / GROUND

## INPUTS / OUTPUTS

### CLIMATE CONTROL ECM

### CODE

### IN / OUT

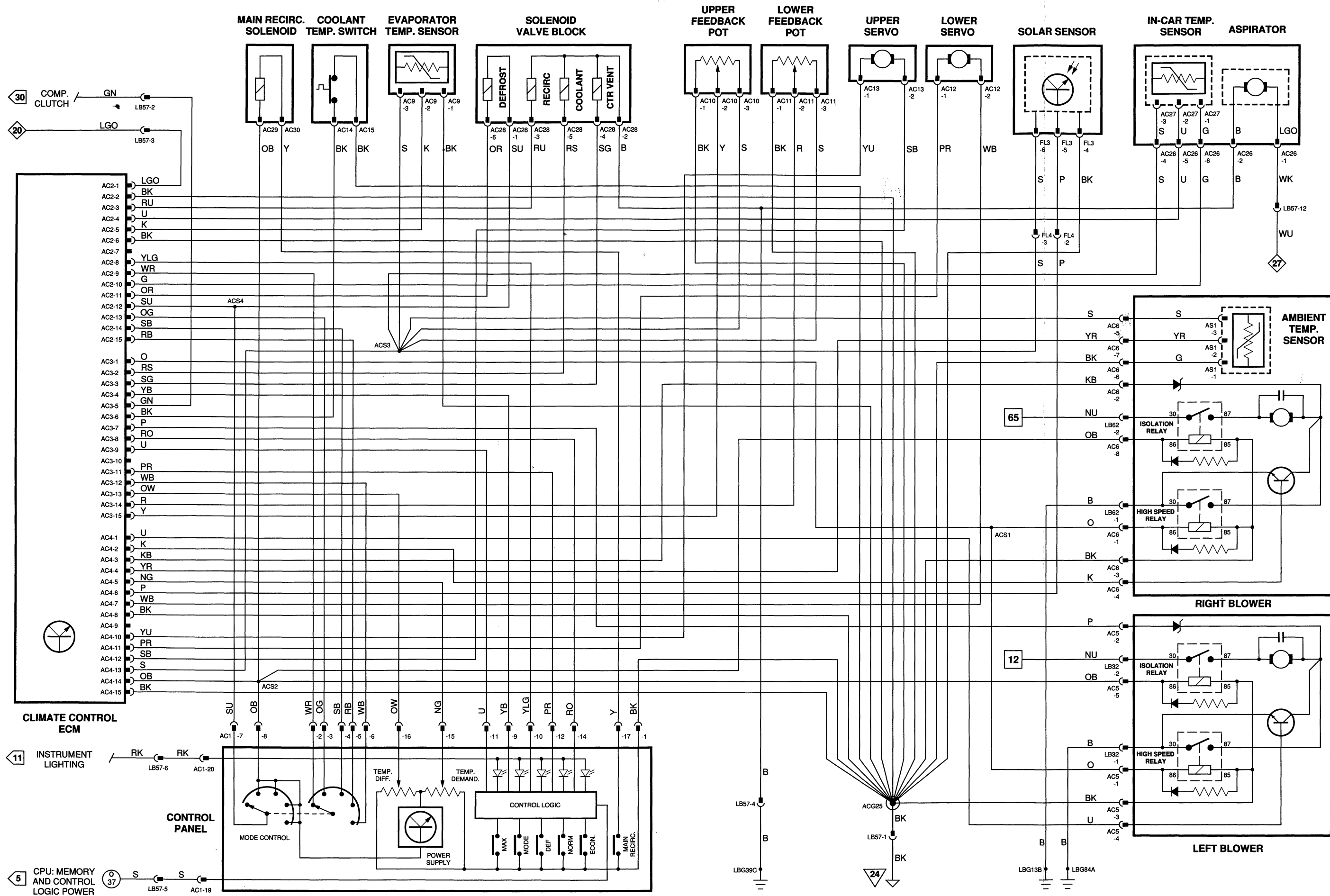
### CIRCUIT

### ACTIVE

### INACTIVE

CODE	IN / OUT	CIRCUIT	ACTIVE	INACTIVE
AC2-1	INPUT	IGNITION SWITCHED POWER	KEY ON: 12V	KEY OFF: OPEN CIRCUIT
AC2-2	INPUT	LOGIC GROUND	GROUND	GROUND
AC2-3	OUTPUT	RECIRCULATION FLAP SOLENOID	RECIRC. MAX. PRESSED: 12V	OPEN CIRCUIT
AC2-4	INPUT	IN-CAR TEMPERATURE SENSOR WIPER	SYSTEM ON: 2.73V + 0.1V/°C	SYSTEM OFF: OPEN CIRCUIT
AC2-5	INPUT	EVAPORATOR TEMPERATURE SENSOR WIPER	2.73V @ 0°C	2.93V @ 20°C
AC2-6	INPUT*	LOGIC GROUND	GROUND	GROUND
AC2-7	NOT USED			
AC2-8	INPUT	CONTROL PANEL — DEMIST	DEMIST ON: GROUND	DEMIST OFF: 4V
AC2-9	INPUT	CONTROL PANEL — ON INPUT	LOW, MED, HIGH, DEF: 12V	OFF: OPEN CIRCUIT
AC2-10	INPUT	IN-CAR TEMPERATURE SENSOR GROUND	GROUND	GROUND
AC2-11	OUTPUT	DEFROSTER SOLENOID	DEFROST/DEMIST: 12V	GROUND
AC2-12	OUTPUT	DEFROSTER SOLENOID	SYSTEM ON: 12V	SYSTEM OFF: OPEN CIRCUIT
AC2-13	INPUT	CONTROL PANEL — FAN SPEED LOW	LOW: GROUND	MED, HI, DEF: 4V
AC2-14	INPUT	CONTROL PANEL — FAN SPEED MED	MED: GROUND	LOW, HI, DEF: 4V
AC2-15	INPUT	CONTROL PANEL — FAN SPEED HI	HI: GROUND	LOW, MED, DEF: 4V
AC3-1	OUTPUT	HIGH SPEED BLOWER MOTOR RELAYS	12V	OPEN CIRCUIT
AC3-2	OUTPUT	COOLANT VACUUM VALVE SOLENOID	GROUND	12V
AC3-3	OUTPUT	CENTER VENT VACUUM VALVE SOLENOID	12V	OPEN CIRCUIT
AC3-4	INPUT	CONTROL PANEL — MANUAL/AUTO	MANUAL ON: GROUND	MANUAL OFF: 4V
AC3-5	OUTPUT	COMPRESSOR CLUTCH RELAY	12V	OPEN CIRCUIT
AC3-6	INPUT	COOLANT TEMPERATURE SWITCH	ABOVE 104°F (40°C): 5V	BELOW 103°F: GROUND
AC3-7	OUTPUT	LEFT BLOWER MOTOR FEEDBACK (MAN. MODE SELECTED)	LOW: 8V; MED: 5V; HI, DEF: LESS THAN 1V	
AC3-8	INPUT	CONTROL PANEL — ECONOMY (ON) SWITCH	ON: 4V	OFF: GROUND
AC3-9	INPUT	CONTROL PANEL — MAX	MAX ON: GROUND	MAX OFF: 4V
AC3-10	NOT USED			
AC3-11	INPUT	CONTROL PANEL — ON/NORMAL	ON: GROUND	NORMAL: 4V
AC3-12	INPUT	CONTROL PANEL — DEFROST	DEF: GROUND	LOW, MED, HI: 4V
AC3-13	INPUT	CONTROL PANEL — FASCIA SLIDE	COOLER FASCIA VENTS: 2.9V	SAME: 0.03V
AC3-14	INPUT	LOWER FEEDBACK POTENTIOMETER VOLTAGE	FULL COOL: 0.1V; FULL HEAT: 1.1V;	DEFROST: 2.9V
AC3-15	INPUT	UPPER FEEDBACK POTENTIOMETER VOLTAGE	FULL COOL: 0.1V; FULL HEAT: 1.9V;	DEFROST: 1.9V
AC4-1	INPUT	LEFT BLOWER MOTOR POWER TRANSISTOR (MANUAL MODE)	LOW: 1.27V; MED: 1.46V; HI, DEF: 0.9V	
AC4-2	INPUT	RIGHT BLOWER MOTOR POWER TRANSISTOR (MANUAL MODE)	LOW: 1.27V; MED: 1.46V; HI, DEF: 0.9V	
AC4-3	INPUT	RIGHT BLOWER MOTOR FEEDBACK (MANUAL MODE)	LOW: 8V; MED: 5V; HI, DEF: LESS THAN 1V	
AC4-4	INPUT	AMBIENT TEMPERATURE SENSOR WIPER	2.93V 20°C	SYSTEM OFF: 0V
AC4-5	INPUT	CONTROL PANEL TEMPERATURE DEMAND	FULL COOL: 0.06V	FULL HOT: 2.9V
AC4-6	INPUT	SOLAR SENSOR LOAD	MAX. LIGHT: 2.88V	DARK: 0.02V
AC4-7	OUTPUT	LOWER SERVO MOTOR	DRIVE VOLTAGE: 7V	HOLD VOLTAGE: LESS THAN 1V
AC4-8	INPUT	LOGIC GROUND	GROUND	GROUND
AC4-9	NOT USED			
AC4-10	OUTPUT	UPPER SERVO MOTOR	DRIVE VOLTAGE: 7V	HOLD VOLTAGE: LESS THAN 1V
AC4-11	OUTPUT	LOWER SERVO MOTOR	DRIVE VOLTAGE: 7V	HOLD VOLTAGE: LESS THAN 1V
AC4-12	OUTPUT	UPPER SERVO MOTOR	DRIVE VOLTAGE: 7V	HOLD VOLTAGE: LESS THAN 1V
AC4-13	OUTPUT	SENSOR REFERENCE VOLTAGE	5V	5V
AC4-14	INPUT	MAIN RECIRCULATION DEMAND	LOW, MED, HI, DEF: 12V	OFF: OPEN CIRCUIT
AC4-15	INPUT	LOGIC GROUND	GROUND	GROUND





BATTERY POWER (FIGS 1/L, 1/R)
  IGNITION POWER (FIG 2)
  IGNITION SWITCHED GROUND (FIG 3)
  LOGIC GROUND (FIG 4)
  CPU INPUTS / OUTPUTS (FIG 5)
  FIG NUMBER REFERENCE

# FIG 30 DATA

## COMPONENTS

### DESCRIPTION

AIR CONDITIONING COMPRESSOR CLUTCH  
COOLANT TEMPERATURE SWITCH  
DIODE — VED1  
DUAL PRESSURE CUTOUT SWITCH  
FAN MOTOR — LEFT  
FAN MOTOR — RIGHT  
RADIATOR THERMAL SWITCH  
RELAY MODULE — FAN CONTROL  
RELAY — A/C COMPRESSOR CLUTCH (VE16)

### LOCATION

ENGINE, RIGHT FRONT  
A BANK COOLANT RAIL, FRONT OF ENGINE  
BELOW INJECTOR 1B, FRONT OF ENGINE VEE  
FRONT OF ENGINE ON HIGH PRESSURE LINE  
LEFT BULKHEAD  
RIGHT BULKHEAD  
RADIATOR, LOWER LEFT  
LEFT FRONT INNER FENDER  
RIGHT BLOWER MOTOR RELAY BRACKET

### ACCESS

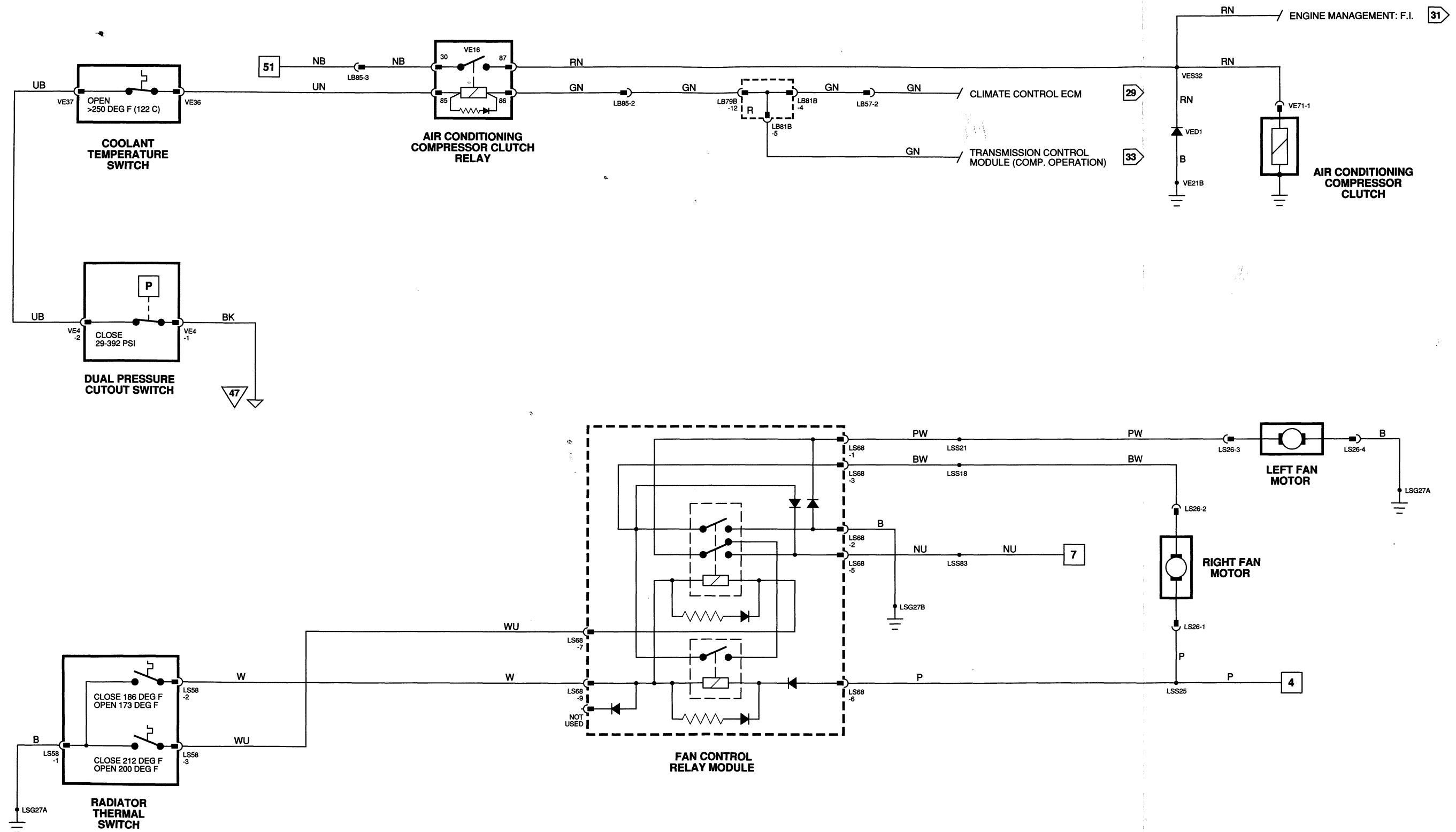
ENGINE COMPARTMENT  
ENGINE COMPARTMENT  
ENGINE COMPARTMENT  
ENGINE COMPARTMENT  
LEFT DASH UNDER PANEL  
RIGHT DASH UNDER PANEL  
ENGINE COMPARTMENT  
ENGINE COMPARTMENT  
RIGHT DASH UNDER PANEL

## CONNECTORS

CODE	DESCRIPTION	LOCATION / INTERFACE
CF1	2-WAY REINSHAGEN 630 (BLACK)	ATTACHED TO LEFT COOLING FAN ON RADIATOR / LEFT FAN MOTOR
CF2	2-WAY REINSHAGEN 630 (BLACK)	ATTACHED TO RIGHT COOLING FAN ON RADIATOR / RIGHT FAN MOTOR
LB57	12-WAY MULTILOCK 40 (BLACK)	BELOW A/C CASE, RIGHT, NEAR A/C ECM / BULKHEAD HARNESS
LB79B	16-WAY MULTILOCK 40 (BLACK)	RIGHT BLOWER MOTOR, ABOVE VACUUM VALVE / RIGHT SPLICE BOX
LB80B	16-WAY MULTILOCK 40 (GREEN)	RIGHT BLOWER MOTOR, ABOVE VACUUM VALVE / RIGHT SPLICE BOX
LB81B	16-WAY MULTILOCK 40 (BLUE)	RIGHT BLOWER MOTOR, ABOVE VACUUM VALVE / RIGHT SPLICE BOX
LB85	20-WAY MULTILOCK 70 (WHITE)	RIGHT DASH UNDER PANEL BY 'A' POST / BULKHEAD HARNESS
LS6	13-WAY ECONOSEAL III LC (BLACK)	RIGHT BULKHEAD ADJACENT TO ABS PUMP / RIGHT SIDE HARNESS
LS26	4-WAY ECONOSEAL III LC (BLACK)	BEHIND LF DIRECTIONAL ASSEMBLY / LEFT SIDE HARNESS
LS58	3-WAY LUCAR (BLACK)	BOTTOM LEFT OF RADIATOR / RADIATOR THERMAL SWITCH
LS68	8-WAY STRIEBEL (BLACK)	LEFT FRONT INNER FENDER / FAN CONTROL RELAY MODULE
VE4	2-WAY ECONOSEAL III LC (BLACK)	ADJACENT TO RIGHT SIDE EXHAUST MANIFOLD / DUAL PRESSURE CUTOUT SWITCH
VE16	RELAY BASE (GREEN)	MOUNTED TO BULKHEAD BRACKET, RIGHT SIDE OF ENGINE / A/C COMPRESSOR CLUTCH RELAY
VE36	.250 BLADE (WHITE)	FRONT RH WATER RAIL BY WATER TRANSMITTER / COOLANT TEMPERATURE SWITCH
VE37	.250 BLADE (BLACK)	FRONT RH WATER RAIL BY WATER TRANSMITTER / COOLANT TEMPERATURE SWITCH
VE71	3-WAY PM 5 (BLACK)	ENGINE, FRONT, TOP CENTER OF VEE / A/C COMPRESSOR CLUTCH

## GROUND

CODE	DESCRIPTION	LOCATION / INTERFACE
LSG27A	WHITE EYELET	ENGINE COMPARTMENT, LF, ADJACENT TO CRUISE CONTROL PUMP / GROUND
LSG27B	WHITE EYELET	ENGINE COMPARTMENT, LF, ADJACENT TO CRUISE CONTROL PUMP / GROUND
VE21B	WHITE EYELET	ENGINE COMPARTMENT, CENTER OF BULKHEAD / CHASSIS GROUND



# FIG 31 DATA

## INPUTS / OUTPUTS

### ENGINE CONTROL MODULE: FUEL INJECTION

CODE	IN / OUT	CIRCUIT	ACTIVE	INACTIVE
VE1-1	OUTPUT	THROTTLE POSITION AND COOLANT TEMP. SENSOR GROUND	GROUND	GROUND
VE1-2	OUTPUT	FUEL USED	PULSED SIGNAL	—
VE1-3	INPUT	BATTERY POWER	BATTERY VOLTAGE	BATTERY VOLTAGE
VE1-4	INPUT	DATA LINK SERIAL INPUT	JDS	—
VE1-5	OUTPUT	COOLANT TEMP. SENSOR SUPPLY VOLTAGE	5V REFERENCE	OPEN CIRCUIT
VE1-6	INPUT	A BANK OXYGEN SENSOR	CLOSED LOOP: 0.0 – 1.0V SWING	—
VE1-7	INPUT	THROTTLE POSITION SENSOR WIPER	CLOSED: .058 – 0.62V	K.D.: 4.5V
VE1-8	OUTPUT	B BANK INJECTORS (1, 3, 5) ON	0.2 MS @ IDLE	—
VE1-9	OUTPUT	B BANK INJECTORS (1, 3, 5) ON	0.2 MS @ IDLE	—
VE1-10	OUTPUT	DATA LINK SERIAL OUTPUT	JDS	—
VE1-11	OUTPUT	B BANK INJECTORS (1, 3, 5) HOLD	2.3 MS @ IDLE	—
VE1-12	OUTPUT	A BANK INJECTORS (1, 3, 5) HOLD	2.3 MS @ IDLE	—
VE1-13	OUTPUT	A BANK INJECTORS (1, 3, 5) ON	0.2 MS @ IDLE	—
VE1-14	OUTPUT	A BANK INJECTORS (1, 3, 5) ON	0.2 MS @ IDLE	—
VE1-15	OUTPUT	OXYGEN SENSOR HEATERS AND FUEL PUMP SUPPLY	ENGINE RUNNING: GROUND	KEY ON: BATTERY VOLTAGE
VE1-16	INPUT	GROUND	GROUND	GROUND
VE1-17	INPUT	GROUND	GROUND	GROUND
VE1-18	INPUT	ENGINE SPEED INPUT	CRANKING: 0.2V 1000 RPM: 0.6V 2000 RPM: 1.1V	—
VE1-19	INPUT	FUEL LEVEL	TANK FULL: GROUND	TANK EMPTY: 12V
VE1-20	OUTPUT	THROTTLE POSITION AND AIR TEMP. SENSORS SUPPLY VOLTAGE	5V	OPEN CIRCUIT
VE1-21	INPUT	AIR TEMPERATURE SENSOR	2.48V @ 70°F (21°C)	—
VE1-22	INPUT	IGNITION POWER	KEY ON: 12V	KEY OFF: OPEN CIRCUIT
VE1-23	INPUT	OXYGEN SENSOR GROUND	GROUND	GROUND
VE1-24	INPUT	B BANK OXYGEN SENSOR	CLOSED LOOP: 0.0 – 1.0V SWING	—
VE1-25	OUTPUT	PURGE CONTROL (GROUND)	PURGE VALVE ON: GROUND	PURGE OFF: 12V
VE1-26	OUTPUT	AIR INJECTION CONTROL (GROUND)	AIR PUMP ON: GROUND	PUMP OFF: 12V
VE1-27	OUTPUT	B BANK INJECTORS (2, 4, 6) ON	0.2 MS @ IDLE	—
VE1-28	OUTPUT	B BANK INJECTORS (2, 4, 6) ON	0.2 MS @ IDLE	—
VE1-29	OUTPUT	B BANK INJECTORS (2, 4, 6) HOLD	2.3 MS @ IDLE	—
VE1-30	OUTPUT	A BANK INJECTORS (2, 4, 6) HOLD	2.3 MS @ IDLE	—
VE1-31	OUTPUT	A BANK INJECTORS (2, 4, 6) ON	0.2 MS @ IDLE	—
VE1-32	OUTPUT	A BANK INJECTORS (2, 4, 6) ON	0.2 MS @ IDLE	—
VE1-33	OUTPUT	FUEL FAIL OUTPUT (CHECK ENGINE)	LIGHT ON: GROUND	OFF: 12V
VE1-34	INPUT	GROUND	GROUND	GROUND
VE1-35	INPUT	GROUND	GROUND	GROUND

## COMPONENTS

DESCRIPTION	LOCATION	ACCESS
AIR INJECTION PUMP	ENGINE, LEFT FRONT, BELOW B BANK AIR FILTER	ENGINE COMPARTMENT
AIR INJECTION SOLENOID VACUUM VALVE	BELOW A BANK THROTTLE BODY	ENGINE COMPARTMENT
AIR TEMPERATURE SENSOR	A BANK AIR INTAKE ELBOW	ENGINE COMPARTMENT
COOLANT TEMPERATURE SENSOR	LEFT FRONT WATER RAIL, B BANK	ENGINE COMPARTMENT
DIODE — VED2	RIGHT BULKHEAD INSIDE RUBBER HARNESS BOOT	PULL BACK RUBBER BOOT
DIODE — VED3	RIGHT BULKHEAD INSIDE RUBBER HARNESS BOOT	PULL BACK RUBBER BOOT
ENGINE CONTROL MODULE: FUEL INJECTION	PASSENGERS FOOTWELL	RIGHT DASH UNDER PANEL
FUEL INJECTORS	CENTER OF ENGINE VEE AT INTAKE MANIFOLD	ENGINE COMPARTMENT
FUEL PUMP A	INSIDE FUEL TANK	FUEL TANK
FUEL PUMP B	INSIDE FUEL TANK	FUEL TANK
FUEL PUMP CONTROL MODULE	TRUNK, RIGHT, BELOW FUEL TANK	FUEL TANK TRIM
HOT START SOLENOID VACUUM VALVE	A BANK, FRONT OF THROTTLE BODY	ENGINE COMPARTMENT
OXYGEN SENSORS	EXHAUST DOWNPIPES	EXHAUST SYSTEM
POWER RESISTORS	RIGHT BULKHEAD ON RELAY MOUNTING PANEL	ENGINE COMPARTMENT
PURGE VALVES	B BANK, FRONT OF ENGINE	ENGINE COMPARTMENT
RELAY MODULE L (L4 — FUEL PUMP)	TRUNK, RIGHT, ABOVE ANTENNA MOTOR	RIGHT TRUNK TRIM
RELAY — AIR INJECTION PUMP	RIGHT BULKHEAD ON RELAY MOUNTING PANEL	ENGINE COMPARTMENT
RELAY — FUEL INJECTION MAIN (VE15)	RIGHT BULKHEAD ON RELAY MOUNTING PANEL	ENGINE COMPARTMENT
RELAY — FUEL PUMP 1 (RS18)	TRUNK, RIGHT REAR ABOVE BULB FAIL MODULE	RIGHT TRUNK TRIM
RELAY — OXYGEN SENSOR HEATERS (VE17)	RIGHT BULKHEAD ON RELAY MOUNTING PANEL	ENGINE COMPARTMENT
RFI FILTERS	ABOVE FUEL TANK	FUEL TANK TRIM
SUPPLEMENTARY AIR VALVE	A BANK BELOW THROTTLE BODY	ENGINE COMPARTMENT
THROTTLE POSITION SENSOR	CENTER OF VEE BELOW THROTTLE TURNTABLE	ENGINE COMPARTMENT

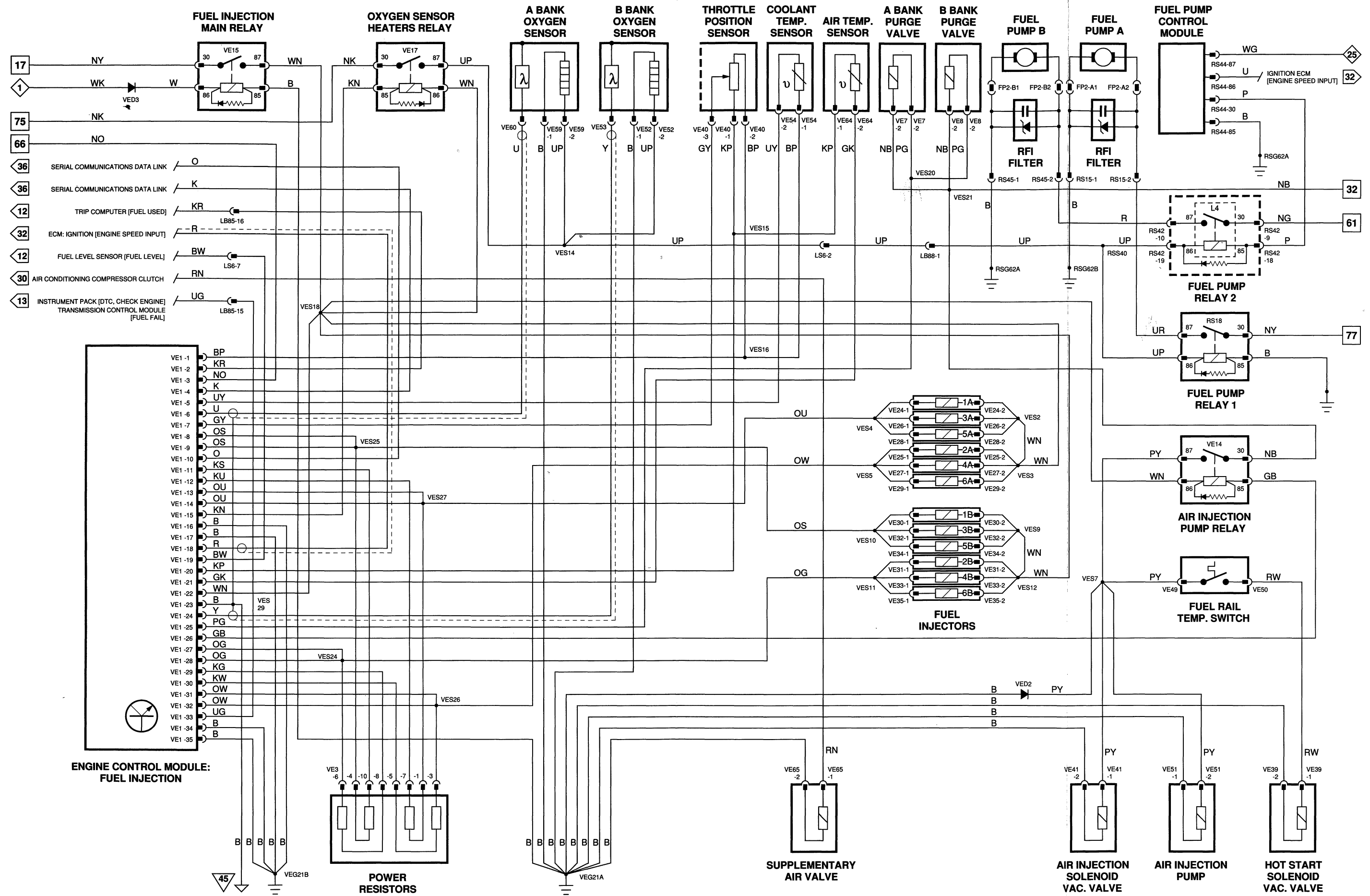
## CONNECTORS

CODE	DESCRIPTION	LOCATION / INTERFACE
FP2A	TWIN FUEL PUMP CONNECTOR (WHITE)	RFI MODULE, TOP OF FUEL TANK / FUEL PUMP A
FP2B	TWIN FUEL PUMP CONNECTOR (WHITE)	RFI MODULE, TOP OF FUEL TANK / FUEL PUMP B
LB85	20-WAY MULTILOCK 70 (WHITE)	RIGHT DASH UNDER PANEL / BULKHEAD HARNESS
LB88	20-WAY MULTILOCK 40 (BLACK)	REAR FACE OF RIGHT BLOWER UNDER FASCIA / BULKHEAD HARNESS
LS96	13-WAY ECONOSEAL III LC (BLACK)	ADJACENT TO ABS PUMP / FUEL LEVEL GAUGE
RS15	2-WAY ECONOSEAL III HC (BLACK)	BEHIND BATTERY, RIGHT, ABOVE GROUND STUD / FUEL PUMP A RFI FILTER
RS18	RELAY BASE (BLACK)	ADJACENT TO RIGHT REAR BULB FAIL MODULE / FUEL PUMP RELAY #1 (PUMP A)
RS42	20-WAY AMP PCB POWER (BLACK)	BEHIND AND LEFT OF ANTENNA MOTOR / FUEL PUMP RELAY #2 (PUMP B)
RS44	RELAY BASE (BLACK)	TRUNK, RIGHT SIDE OF BATTERY IN WHEEL ARCH // FUEL PUMP CONTROL MODULE
RS45	20-WAY ECONOSEAL III HC (BLACK)	TRUNK, ABOVE BATTERY BEHIND TRIM / FUEL PUMP B RFI FILTER
VE1	35-WAY AMP (BLACK)	PASSENGERS FOOTWELL / FUEL INJECTION ECM
VE3	10-WAY AMP (WHITE)	RIGHT RADIATOR MOUNTING BRACKET / POWER RESISTOR PACK
VE7	2-WAY LUCAR (BLACK)	BELOW RADIATOR TOP HOSE ELBOW / A BANK PURGE VALVE
VE8	2-WAY LUCAR (BLACK)	BELOW RADIATOR TOP HOSE ELBOW / B BANK PURGE VALVE
VE14	RELAY BASE (RED)	RIGHT BULKHEAD ON RELAY MOUNTING PANEL / AIR INJECTION PUMP RELAY
VE15	RELAY BASE (BLACK)	RIGHT BULKHEAD ON RELAY MOUNTING PANEL / FUEL INJECTION MAIN RELAY
VE17	RELAY BASE (YELLOW)	RIGHT BULKHEAD ON RELAY MOUNTING PANEL / OXYGEN SENSOR HEATERS RELAY
VE24	2-WAY LUCAR (SLATE)	INJECTOR 1A
VE25	2-WAY LUCAR (SLATE)	INJECTOR 2A
VE26	2-WAY LUCAR (SLATE)	INJECTOR 3A
VE27	2-WAY LUCAR (SLATE)	INJECTOR 4A
VE28	2-WAY LUCAR (SLATE)	INJECTOR 5A
VE29	2-WAY LUCAR (SLATE)	INJECTOR 6A
VE30	2-WAY LUCAR (SLATE)	INJECTOR 1B
VE31	2-WAY LUCAR (SLATE)	INJECTOR 2B
VE32	2-WAY LUCAR (SLATE)	INJECTOR 3B
VE33	2-WAY LUCAR (SLATE)	INJECTOR 4B
VE34	2-WAY LUCAR (SLATE)	INJECTOR 5B
VE35	2-WAY LUCAR (SLATE)	INJECTOR 6B
VE39	2-WAY NIPPON DENSO (BLUE)	ENGINE, RIGHT, BY AIR INTAKE MANIFOLD / HOT START SOLENOID VACUUM VALVE
VE40	6-WAY SUMITOMO (BLACK)	BELOW THROTTLE LINKAGE (TURNTABLE) / THROTTLE POSITION SENSOR
VE41	2-WAY NIPPON DENSO (BLUE)	A BANK INTAKE MANIFOLD, BELOW THROTTLE LINKAGE / AIR INJECTION SOLENOID VACUUM VALVE
VE49	.250 BLADE (WHITE)	SIDE OF FUEL RAIL, BY DISTRIBUTOR / FUEL RAIL TEMPERATURE SWITCH
VE50	.250 BLADE (WHITE)	SIDE OF FUEL RAIL, BY DISTRIBUTOR / FUEL RAIL TEMPERATURE SWITCH
VE51	PM 5 (BLACK)	BELOW RADIATOR TOP HOSE, LEFT OF ENGINE / AIR INJECTION PUMP
VE52	2-WAY LUCAR (BLACK)	CENTER OF ENGINE BEHIND THROTTLE LINKAGE / B BANK OXYGEN SENSOR HEATER
VE53	.250 BLADE (WHITE)	CENTER OF ENGINE BEHIND THROTTLE LINKAGE / B BANK OXYGEN SENSOR FEEDBACK
VE54	2-WAY LUCAR (BROWN)	ADJACENT TO ENGINE LIFT BRACKET, FRONT LEFT / COOLANT TEMPERATURE SENSOR
VE59	2-WAY LUCAR (BLACK)	CENTER OF ENGINE BEHIND THROTTLE LINKAGE / A BANK OXYGEN SENSOR HEATER
VE60	.250 BLADE (WHITE)	CENTER OF ENGINE BEHIND THROTTLE LINKAGE / A BANK OXYGEN SENSOR FEEDBACK
VE64	2-WAY LUCAR (BLACK)	TOP CENTER OF A BANK INTAKE MANIFOLD / AIR TEMPERATURE SENSOR
VE65	PM 5 (BLACK)	BELOW A BANK INTAKE MANIFOLD, RIGHT FRONT / SUPPLEMENTARY AIR VALVE

## GROUNDS

CODE	DESCRIPTION	LOCATION / INTERFACE
RSG62A	WHITE EYELET	TRUNK, RIGHT REAR, BELOW BULB FAIL MODULE / GROUND
RSG62B	WHITE EYELET	TRUNK, RIGHT REAR, BELOW BULB FAIL MODULE / GROUND
VEG21A	WHITE EYELET	ENGINE COMPARTMENT, CENTER OF BULKHEAD / GROUND
VEG21B	WHITE EYELET	ENGINE COMPARTMENT, CENTER OF BULKHEAD / GROUND

CONTINUED AT LEFT ON FOLDOUT



BATTERY POWER (FIGS 1/L, 1/R)
  IGNITION POWER (FIG 2)
  IGNITION SWITCHED GROUND (FIG 3)
  LOGIC GROUND (FIG 4)
  CPU INPUTS / OUTPUTS (FIG 5)
  FIG NUMBER REFERENCE

# FIG 32 DATA

## COMPONENTS

### DESCRIPTION

AIR TEMPERATURE SENSOR  
 DISTRIBUTOR  
 ENGINE CONTROL MODULE: IGNITION  
 ENGINE SPEED SENSOR (FLYWHEEL)  
 IDLE SWITCH  
 IGNITION COILS  
 POWER MODULES  
 SHORTING PLUG  
 STRATEGY SELECTION LINK  
 TDC SENSOR (CRANKSHAFT)

### LOCATION

B BANK AIR INTAKE ELBOW  
 CENTER OF ENGINE VEE BETWEEN MANIFOLDS  
 PASSENGERS FOOTWELL  
 REAR OF ENGINE, BOTTOM LEFT  
 THROTTLE TURNTABLE, CENTER OF ENGINE VEE  
 AT IGNITION DISTRIBUTOR, CENTER OF ENGINE VEE  
 RIGHT BULKHEAD, RELAY MOUNTING PANEL  
 PASSENGERS FOOTWELL, TAPED TO HARNESS BY FUEL INJECTION ECM  
 PASSENGERS FOOTWELL, BELOW CRUISE CONTROL ECM  
 FRONT OF ENGINE BY CRANKSHAFT PULLEY

### ACCESS

ENGINE COMPARTMENT  
 ENGINE COMPARTMENT  
 RIGHT DASH UNDER PANEL  
 ENGINE COMPARTMENT  
 ENGINE COMPARTMENT  
 ENGINE COMPARTMENT  
 ENGINE COMPARTMENT  
 RIGHT DASH UNDER PANEL  
 ENGINE COMPARTMENT

## CONNECTORS

### CODE DESCRIPTION

LB9 12-WAY MULTILOCK 70 (WHITE)  
 LB85 20-WAY MULTILOCK 70 (WHITE)  
 LB87 20-WAY MULTILOCK 40 (GREEN)  
 LB95 12-WAY MULTILOCK 40 (BLACK)  
 LS6 13-WAY ECONOSEAL III LC (BLACK)  
 VE2 25-WAY AMP (BLACK)  
 VE18 2-WAY LUCAR (BLACK)  
 VE22 7-WAY LUCAR (BLACK)  
 VE23 7-WAY LUCAR (BLACK)  
 VE43 2-WAY LUCAR (BROWN)  
 VE44 4-WAY PACKARD (BLACK)  
 VE45 4-WAY PACKARD (BLACK)  
 VE48 2-WAY LUCAR (BLACK)  
 VE56 PM 5 (BLACK)

### LOCATION / INTERFACE

ABOVE LEFT FUSE BOX BY 'A' POST / BULKHEAD TO IGNITION HARNESS  
 RIGHT DASH UNDER PANEL / BULKHEAD HARNESS  
 REAR FACE OF RIGHT BLOWER UNDER FASCIA / BULKHEAD HARNESS  
 BEHIND RIGHT FUSE BOX BY 'A' POST / BULKHEAD HARNESS  
 ADJACENT TO ABS PUMP / IGNITION CONTROL HARNESS  
 RIGHT DASH UNDER PANEL / IGNITION CONTROL MODULE  
 LEFT AIR INLET ELBOW / AIR TEMPERATURE SENSOR  
 RIGHT BULKHEAD / B BANK POWER MODULE  
 RIGHT BULKHEAD / A BANK POWER MODULE  
 BELOW WIPER MOTOR HOUSING, LEFT / ENGINE SPEED SENSOR (FLYWHEEL)  
 BETWEEN DISTRIBUTOR AND ACCELERATOR LINKAGE / A BANK COIL  
 BEHIND A/C COMPRESSOR, CENTER OF ENGINE / B BANK COIL  
 ADJACENT TO ENGINE LIFT BRACKET, LEFT / TDC SENSOR (CRANKSHAFT)  
 BELOW THROTTLE LINKAGE (TURNTABLE) / IDLE SWITCH

## GROUNDS

### CODE DESCRIPTION

VEG21A WHITE EYELET  
 VEG21B WHITE EYELET

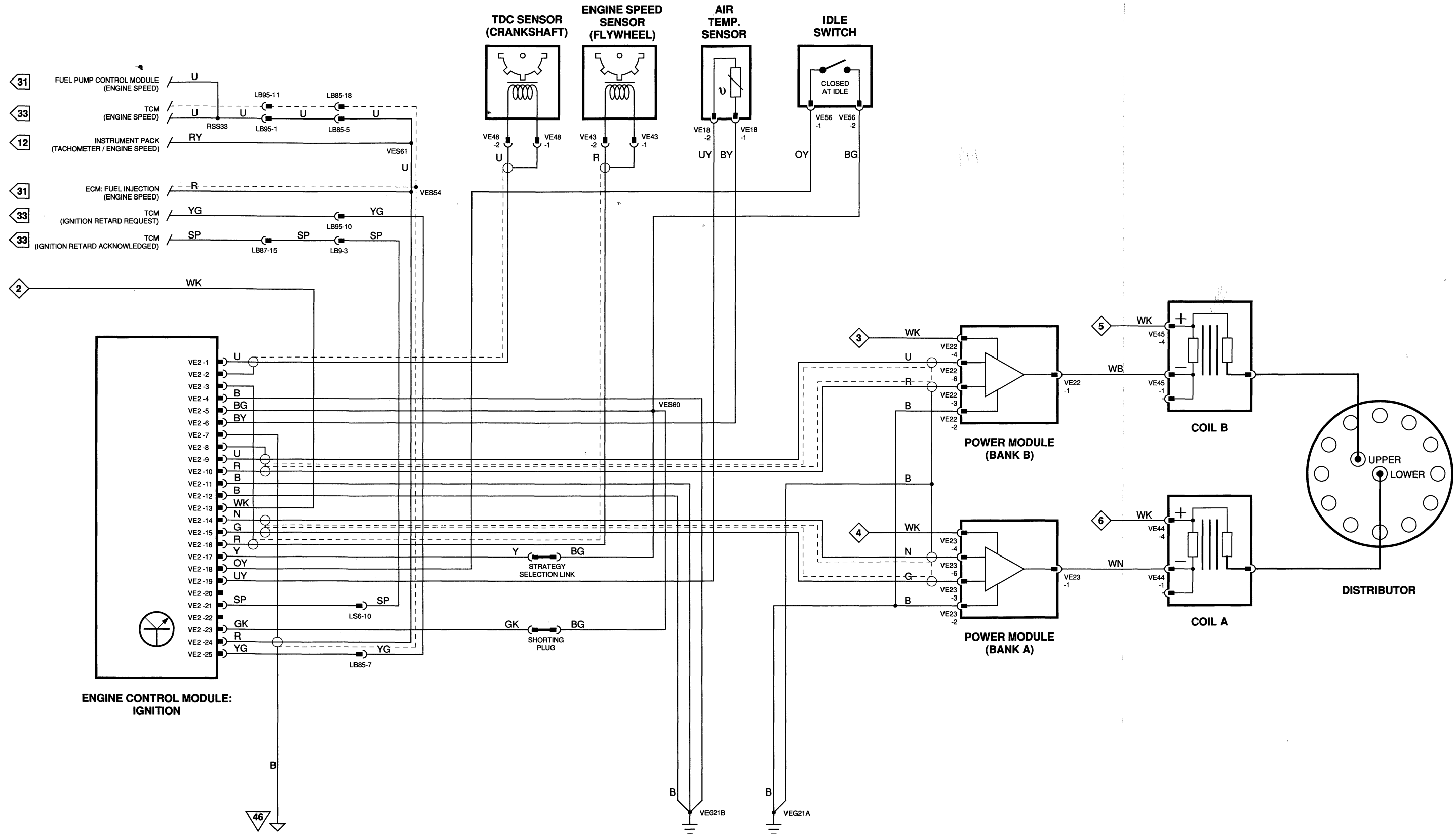
### LOCATION / INTERFACE

ENGINE COMPARTMENT, CENTER OF BULKHEAD / GROUND  
 ENGINE COMPARTMENT, CENTER OF BULKHEAD / GROUND

## INPUTS / OUTPUTS

### ENGINE CONTROL MODULE: IGNITION

CODE	IN / OUT	CIRCUIT	ACTIVE	INACTIVE
VE2-1	INPUT	TDC SENSOR	CRANKING: 0.9V AC 1000 RPM: 1.5V AC 2000 RPM: 2.7V AC	
VE2-2	OUTPUT	TDC SENSOR SHIELD	GROUND	GROUND
VE2-3	OUTPUT	ENGINE SPEED SENSOR SHIELD	GROUND	GROUND
VE2-4	INPUT	GROUND	GROUND	GROUND
VE2-5	INPUT	IDLE SWITCH GROUND	GROUND	GROUND
VE2-6	INPUT	AIR TEMPERATURE SENSOR GROUND	GROUND	GROUND
VE2-7	OUTPUT	ENGINE SPEED OUTPUT SHIELD	GROUND	GROUND
VE2-8	OUTPUT	POWER MODULE SHIELD	GROUND	GROUND
VE2-9	OUTPUT	B BANK POWER MODULE OUTPUT	KEY ON: 0.2V 1000 RPM: 2.4V 2000 RPM: 2.1V	
VE2-10	OUTPUT	B BANK POWER MODULE OUTPUT	20MV AC @ 1000 RPM	INCREASES WITH RPM
VE2-11	INPUT	GROUND	GROUND	GROUND
VE2-12	INPUT	GROUND	GROUND	GROUND
VE2-13	INPUT	IGNITION SWITCHED POWER SUPPLY	KEY ON: 12V	KEY OFF: OPEN CIRCUIT
VE2-14	OUTPUT	A BANK POWER MODULE OUTPUT	KEY ON: 0.2V 1000 RPM: 2.4V 2000 RPM: 2.1V	
VE2-15	OUTPUT	A BANK POWER MODULE OUTPUT	20MV AC @ 1000 RPM	INCREASES WITH RPM
VE2-16	INPUT	ENGINE SPEED SENSOR	CRANKING: 0.9V AC 1000 RPM: 1.7V AC	INCREASES WITH RPM
VE2-17	INPUT	STRATEGY SELECT	LINK OUT: 10V	LINK IN: GROUND
VE2-18	INPUT	IDLE SWITCH	THROTTLE CLOSED: GROUND	THROTTLE OPEN: 10V
VE2-19	OUTPUT	AIR TEMPERATURE SENSOR	2.17V @ 70°F (21°C)	
VE2-20		NOT USED		
VE2-21	OUTPUT	IGNITION RETARD ACKNOWLEDGED	PULSED SIGNAL	
VE2-22		NOT USED		
VE2-23	OUTPUT	SHORTING PLUG	PLUG OUT: 10V	PLUG IN: GROUND
VE2-24	OUTPUT	ENGINE SPEED OUTPUT	1000 RPM: 2.2V AC 2000 RPM: 3.2V AC	
VE2-25	INPUT	IGNITION RETARD REQUEST	PULSED SIGNAL	



# FIG 33 DATA

## COMPONENTS

DESCRIPTION	LOCATION	ACCESS
BAROMETRIC PRESSURE SENSOR	TRUNK, RIGHT REAR, ABOVE WHEEL ARCH	RIGHT TRUNK TRIM
BRAKE SWITCH	ABOVE BRAKE PEDAL	LEFT DASH UNDER PANEL
GEAR POSITION INDICATOR MODULE	CENTER CONSOLE BY 'J' GATE	CENTER CONSOLE SKI SLOPE
KICKDOWN SWITCH	BENEATH ACCELERATOR PEDAL	DRIVERS FOOTWELL CARPET
LINEAR GEAR POSITION SWITCHES	RIGHT SIDE OF 'J' GATE	CENTER CONSOLE SKI SLOPE
MODE SWITCH	REAR OF 'J' GATE	—
RELAY MODULE L (L1 — HIGH MOUNT STOP LIGHT)	TRUNK, RIGHT, ABOVE ANTENNA MOTOR	RIGHT TRUNK TRIM
THROTTLE POSITION SENSOR	BELOW THROTTLE TURNTABLE, ENGINE VEE	ENGINE COMPARTMENT
TRANSMISSION CONTROL MODULE	TRUNK, RIGHT REAR, ABOVE WHEEL ARCH	RIGHT TRUNK TRIM

## CONNECTORS

CODE	DESCRIPTION	LOCATION / INTERFACE
GB2	12-WAY MULTILOCK 40 (BLACK)	BENEATH CENTER CONSOLE, RIGHT OF 'J' GATE / GEAR POSITION INDICATOR MODULE
GM1	14-WAY DEUTSCH (BLACK)	RIGHT REAR OF GEARBOX / TRANSMISSION CASE CONNECTOR
GM2	2-WAY PACKARD (BLACK)	LEFT REAR OF GEARBOX, ABOVE EXHAUST PIPE / TRANSMISSION OUTPUT SPEED SENSOR
GM3	2-WAY PACKARD (BLACK)	LEFT FRONT OF GEARBOX, ABOVE EXHAUST PIPE / TRANSMISSION INPUT SPEED SENSOR
LB29	4-WAY MULTILOCK 70 (WHITE)	LOWER STEERING COLUMN, ABOVE BRAKE PEDAL / BRAKE SWITCH
LB52	12-WAY MULTILOCK 40 (BLACK)	BENEATH REAR SEAT, RIGHT, IN BOX SECTION / BULKHEAD TO TRANSMISSION HARNESS
LB53	12-WAY MULTILOCK 70 (WHITE)	BENEATH REAR SEAT, RIGHT, IN BOX SECTION / BULKHEAD HARNESS
LB79A	12-WAY MULTILOCK 40 (BLACK)	RIGHT BLOWER MOTOR HOUSING / RIGHT SPLICE BOX
LB87	20-WAY MULTILOCK 40 (GREEN)	REAR FACE OF RIGHT BLOWER, UNDER FASCIA / BULKHEAD TO TRANSMISSION HARNESS
LB94	6-WAY MULTILOCK 40 (BLACK)	REAR OF CENTER CONSOLE BY GEAR SELECTOR / MODE CONTROL SWITCH
LB95	12-WAY MULTILOCK 40 (BLACK)	BEHIND RIGHT FUSE BOX BY 'A' POST / BULKHEAD HARNESS
LB100	PM 5 (PURPLE)	BENEATH DRIVERS FOOTWELL CARPET BY ACCELERATOR / KICKDOWN SWITCH
RS29	24-WAY PACKARD (PURPLE)	RIGHT REAR FENDER, BEHIND ANTENNA MOTOR / TRANSMISSION CONTROL MODULE
RS30	32-WAY PACKARD (PURPLE)	RIGHT REAR FENDER, BEHIND ANTENNA MOTOR / TRANSMISSION CONTROL MODULE
RS31	3-WAY PACKARD (BLUE)	MOUNTED TO TRANSMISSION ECM AT RIGHT REAR OF TRUNK / BAROMETRIC PRESSURE SENSOR
RS32	2-WAY MULTILOCK 70 (YELLOW)	BY TRANSMISSION ECM, RIGHT REAR OF TRUNK / TRANSMISSION CONTROL MODULE, CATALYST SELECT
RS33	3-WAY MULTILOCK 70 (WHITE)	BY TRANSMISSION ECM, RIGHT REAR OF TRUNK / TRANSMISSION CONTROL MODULE, OCTANE SELECT
RS42	20-WAY AMP PCB POWER (BLACK)	TRUNK, RIGHT REAR, BEHIND AND LEFT OF ANTENNA MOTOR / HIGH MOUNT STOP LIGHT RELAY
RS88	20-WAY MULTILOCK 40 (BLACK)	CENTER CONSOLE, BEHIND 'J' GATE / TRANSMISSION CONTROL MODULE HARNESS
VE40	6-WAY SUMITOMO (BLACK)	BELOW THROTTLE LINKAGE (TURNTABLE) / THROTTLE POSITION SENSOR

## GROUNDINGS

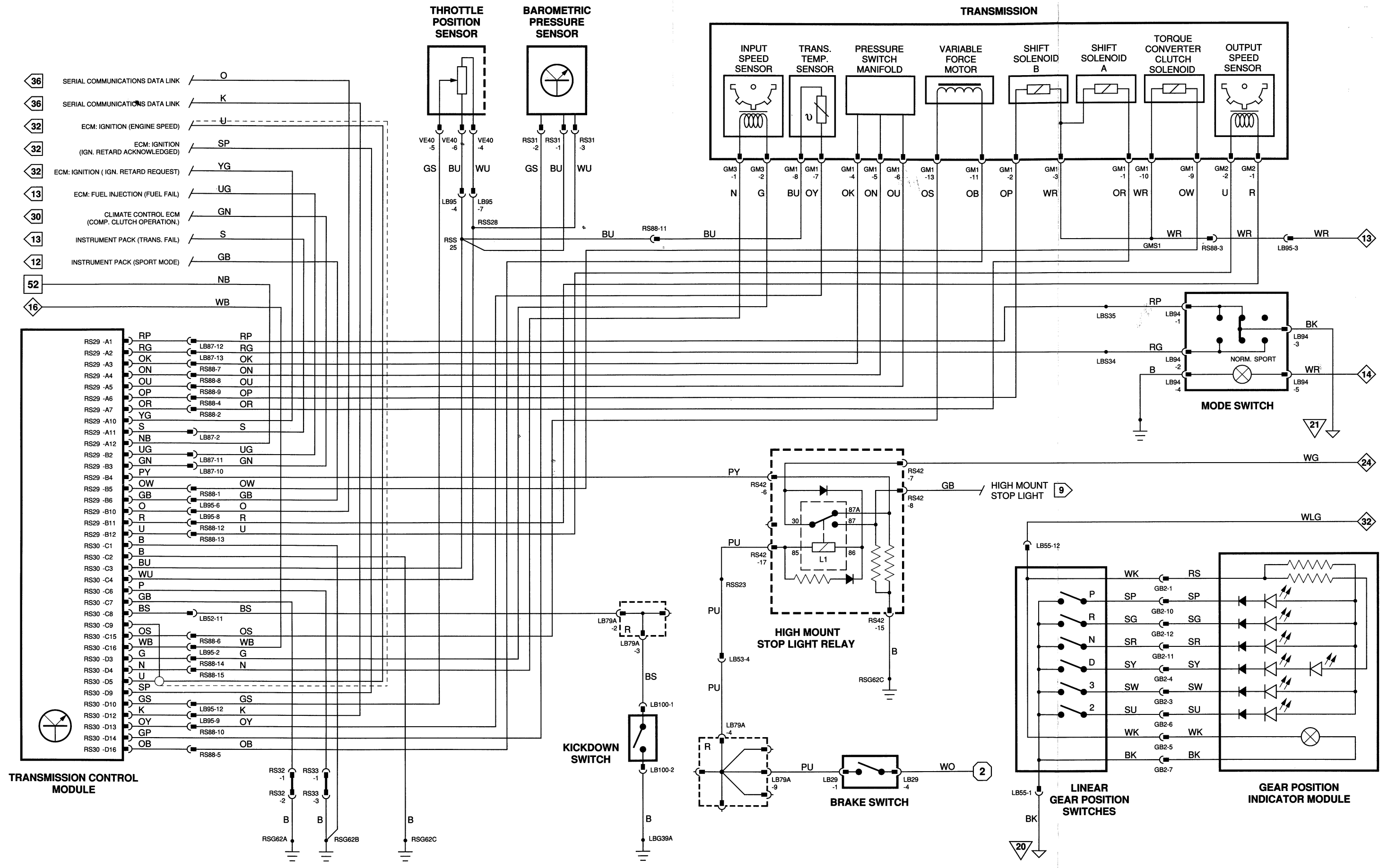
CODE	DESCRIPTION	LOCATION / INTERFACE
LBG39A	WHITE EYELET	CENTER CONSOLE, BEHIND 'J' GATE / GROUND
RSG62A	WHITE EYELET	TRUNK, RIGHT REAR, BELOW BULB FAIL MODULE / GROUND
RSG62B	WHITE EYELET	TRUNK, RIGHT REAR, BELOW BULB FAIL MODULE / GROUND
RSG62C	WHITE EYELET	TRUNK, RIGHT REAR, BELOW BULB FAIL MODULE / GROUND

## INPUTS / OUTPUTS

### TRANSMISSION CONTROL MODULE

CODE	IN / OUT	CIRCUIT	ACTIVE	INACTIVE
RS29-A1	INPUT	NORMAL INPUT	NORMAL SELECTED: GROUND	SPORT: 12V
RS29-A2	OUTPUT	SPORT MODE OUTPUT	SPORT SELECTED: GROUND	NORMAL: 12V
RS29-A3	INPUT	GEAR CODE MODE A	R: GROUND	P, N, D, 3, 2: 12V
RS29-A4	INPUT	GEAR CODE MODE B	P, R, N, D: GROUND	3, 2: 12V
RS29-A5	INPUT	GEAR CODE MODE C	D, 3: GROUND	P, R, N, 2: 12V
RS29-A6	OUTPUT	SHIFT SOLENOID B	FIRST GEAR: 12V SECOND: 12V THIRD: GROUND FOURTH: GROUND	
RS29-A7	OUTPUT	SHIFT SOLENOID A	FIRST GEAR: GROUND SECOND: 12V THIRD: 12V FOURTH: GROUND	
RS29-A10	OUTPUT	IGNITION RETARD REQUEST	PULSED SIGNAL (11.5V)	
RS29-A11	OUTPUT	TRANSMISSION FAIL OUTPUT	LIGHT ON: 12V	LIGHT OFF: OPEN CIRCUIT
RS29-A12	INPUT	BATTERY POWER	BATTERY VOLTAGE	BATTERY VOLTAGE
RS29-B2	INPUT	ENGINE FUEL FAIL	LIGHT ON: GROUND	LIGHT OFF: 12V
RS29-B3	INPUT	A/C COMPRESSOR CLUTCH OPERATION	CLUTCH ON: 12V	CLUTCH OFF: OPEN CIRCUIT
RS29-B4	INPUT	BRAKE LIGHT OPERATION	BRAKE APPLIED: GROUND	BRAKE RELEASED: 12V
RS29-B5	OUTPUT	TORQUE CONVERTER CLUTCH SOLENOID	TCC ON: GROUND	TCC OFF: 12V
RS29-B6	OUTPUT	SPORT MODE INDICATOR OUTPUT	SPORT LIGHT ON: GROUND	SPORT LIGHT OFF: 12V
RS29-B10	OUTPUT	DATA LINK SERIAL OUTPUT	JDS	—
RS29-B11	OUTPUT	OUTPUT SPEED	0 MPH: 16MV AC 10 MPH: 4V AC 20 MPH: 7V AC	—
RS29-B12	OUTPUT	OUTPUT SPEED	16MV AC	—
RS30-C1	INPUT	GROUND	GROUND	GROUND
RS30-C2	INPUT	GROUND	GROUND	GROUND
RS30-C3	INPUT	SENSOR GROUND	GROUND	GROUND
RS30-C4	OUTPUT	SENSOR SUPPLY VOLTAGE	5V	OPEN CIRCUIT
RS30-C6	INPUT	FUEL OCTANE SELECT	LINK IN: GROUND	LINK OUT: 12V
RS30-C7	INPUT	CATALYST SELECT	LINK IN: GROUND	LINK OUT: 12V
RS30-C8	INPUT	KICKDOWN SWITCH	KICKDOWN PRESSED: GROUND	KICKDOWN RELEASED: 12V
RS30-C9	OUTPUT	ENGINE SPEED SHIELD	GROUND	GROUND
RS30-C15	OUTPUT	FORCE MOTOR FEEDBACK	PULSED SIGNAL	DECREASES WITH LOAD
RS30-C16	INPUT	IGNITION SWITCHED POWER	KEY ON: 12V	KEY OFF: OPEN CIRCUIT
RS30-D3	INPUT	INPUT SPEED	16MV AC	—
RS30-D4	INPUT	INPUT SPEED	NEUTRAL, 1000 RPM: 15V AC 1500 RPM: 26V AC 2000 RPM: 35V AC	—
RS30-D5	INPUT	ENGINE SPEED INPUT	NEUTRAL, 1000 RPM: 3.3V AC 1500 RPM: 2.8V AC 2000 RPM: 2.3V AC	—
RS30-D9	INPUT	IGNITION RETARD ACKNOWLEDGED	PULSED SIGNAL	—
RS30-D10	INPUT	THROTTLE POSITION SENSOR WIPER	THROTTLE CLOSED: 0.58V - 0.62V	KICKDOWN: 4.5V
RS30-D12	OUTPUT	DATA LINK SERIAL OUTPUT	JDS	—
RS30-D13	INPUT	TRANSMISSION TEMPERATURE SENSOR	APPROX. 3500Ω @ 70°F (21°C)	APPROX. 177Ω @ 212°F (100°C)
RS30-D14	INPUT	BAROMETRIC PRESSURE SENSOR	SEA LEVEL: 4.5V 0.1V LESS FOR EACH 500' ELEVATION	—
RS30-D16	OUTPUT	VARIABLE FORCE MOTOR	5V DECREASES WITH LOAD	—





# FIG 34 DATA

## INPUTS / OUTPUTS (CONTINUED)

INTRUSION ECU			ACTIVE	INACTIVE
CODE	IN / OUT	CIRCUIT		
LB17-1	INPUT	INTRUSION SENSOR	PULSE TO GROUND	OPEN CIRCUIT
LB17-2	OUTPUT	SHIELD — LEFT INTRUSION SENSOR	GROUND	GROUND
LB17-3	INPUT	LEFT INTRUSION SENSOR	PULSED SIGNAL	OPEN CIRCUIT
LB17-4	INPUT	LEFT INTRUSION SENSOR	PULSED SIGNAL	OPEN CIRCUIT
LB17-7	OUTPUT	LEFT INTRUSION SENSOR	ARMED: 5V	UNARMED: 5V
LB17-8	INPUT	INCLINATION SENSOR	GROUND	PULSE TO 12V WHEN UNLOCKED
LB17-10	OUTPUT	INTRUSION ECU	ARMED: GROUND	PULSE TO 12V WHEN UNLOCKED
LB17-11	INPUT	RIGHT INTRUSION SENSOR	PULSE TO GROUND	OPEN CIRCUIT
LB17-12	OUTPUT	SHIELD — RIGHT INTRUSION SENSOR	PULSE TO GROUND	GROUND
LB17-13	INPUT	RIGHT INTRUSION SENSOR	PULSE TO GROUND	OPEN CIRCUIT
LB17-14	INPUT	RIGHT INTRUSION SENSOR	PULSE TO GROUND	OPEN CIRCUIT
LB17-18	INPUT	INCLINATION SENSOR	GROUND	PULSES TO 12V WHEN UNLOCKED
LB17-20	INPUT	POWER GROUND	GROUND	GROUND

## COMPONENTS

DESCRIPTION	LOCATION	ACCESS
DOOR LOCK SWITCH — DRIVER	DRIVER'S DOOR	DRIVER'S DOOR CASING
DOOR LOCK SWITCH — PASSENGER	PASSENGER'S DOOR	PASSENGER'S DOOR CASING
DOOR SWITCH — DRIVER	DRIVER'S DOOR LATCH	DRIVER'S DOOR CASING
DOOR SWITCH — PASSENGER	PASSENGER'S DOOR LATCH	PASSENGER'S DOOR CASING
HOOD SWITCH	ABOVE LEFT HEADLIGHT	ENGINE COMPARTMENT
INCLINATION SENSOR	LEFT REAR WHEEL ARCH	LEFT TRUNK TRIM
INTRUSION ECU	FLOOR, FRONT OF DRIVER'S SEAT	FLOOR PANEL CARPET
INTRUSION SENSOR — LEFT	LEFT 'BC' POST	HEADLINER
INTRUSION SENSOR — RIGHT	RIGHT 'BC' POST	HEADLINER
SECURITY ANTENNA	REAR WINDOW GLASS	—
SECURITY LED	CENTER OF FASCIA	—
SECURITY SOUNDER	LEFT FRONT INNER FENDER	ENGINE COMPARTMENT
SECURITY SWITCH	CENTER CONSOLE GLOVE BOX	—
SECURITY SYSTEM ECM	LEFT REAR WHEEL ARCH	LEFT TRUNK TRIM
SHOCK SENSOR	LEFT REAR WHEEL ARCH	LEFT TRUNK TRIM
TRUNK SWITCH	RIGHT TRUNK HINGE	ABOVE FUEL TANK TRIM

## CONNECTORS

CODE	DESCRIPTION	LOCATION / INTERFACE
CL3	4-WAY MULTILOCK 40 (BLACK)	CENTER CONSOLE, REAR, BEHIND END PANEL / SECURITY VALET SWITCH
DD3	6-WAY ECONOSEAL III LC (BLACK)	DRIVER'S DOOR, BEHIND PUDDLE LIGHT / DRIVER'S DOOR LOCK MOTOR
DD4	4-WAY ECONOSEAL III LC (BLACK)	DRIVER'S DOOR, BOTTOM REAR / DRIVER'S DOOR SWITCH
FL3	6-WAY AMP MODU (BLACK)	MOUNTED TOP/CENTER OF FASCIA / SECURITY LED
LB11	20-WAY MULTILOCK 40 (BLUE)	REAR FACE OF LEFT BLOWER, UNDER FASCIA / BULKHEAD TO LF HARNESS
LB12	20-WAY MULTILOCK 40 (BLACK)	LEFT 'A' POST BOX SECTION / BULKHEAD HARNESS
LB14	20-WAY MULTILOCK 40 (GREEN)	LEFT 'A' POST BOX SECTION / BULKHEAD HARNESS
LB17	20-WAY MULTILOCK 40 (BLACK)	DRIVER SEAT AND MIRRORS ECM BRACKET / INTRUSION ECU
LB45	6-WAY MULTILOCK 70 (WHITE)	CENTER CONSOLE, BELOW ASHTRAY / SECURITY SYSTEM VALET SWITCH
LB46	13-WAY AMP MK4 (BLACK)	CENTER CONSOLE, BELOW FUSE PANEL / CENTER FUSE PANEL
LB48	13-WAY AMP MK4 (BROWN)	CENTER CONSOLE, BELOW FUSE PANEL / CENTER FUSE PANEL
LB50	20-WAY MULTILOCK 40 (BLACK)	BENEATH LEFT REAR SEAT BOX SECTION / REAR HARNESS
LB51	12-WAY MULTILOCK 70 (WHITE)	BENEATH LEFT REAR SEAT BOX SECTION / REAR HARNESS
LB52	12-WAY MULTILOCK 70 (BLACK)	BENEATH RIGHT REAR SEAT BOX SECTION / REAR HARNESS
LB79B	16-WAY MULTILOCK 40 (BLACK)	RIGHT BLOWER MOTOR, ABOVE VACUUM VALVE / RIGHT SPLICE BOX
LB80A	12-WAY MULTILOCK 40 (GREEN)	RIGHT BLOWER MOTOR, ABOVE VACUUM VALVE / RIGHT SPLICE BOX
LB80B	16-WAY MULTILOCK 40 (GREEN)	RIGHT BLOWER MOTOR, ABOVE VACUUM VALVE / RIGHT SPLICE BOX
LB81A	12-WAY MULTILOCK 40 (BLUE)	RIGHT BLOWER MOTOR, ABOVE VACUUM VALVE / RIGHT SPLICE BOX
LB82	20-WAY MULTILOCK 40 (BLACK)	RIGHT 'A' POST BOX SECTION / BULKHEAD HARNESS
LB96	4-WAY AMP LEAF (BLACK)	DRIVER'S 'B/C' POST BEHIND HEADLINER / LEFT INTRUSION SENSOR
LB97	4-WAY AMP LEAF (BLACK)	PASSENGER'S 'B/C' POST BEHIND HEADLINER / RIGHT INTRUSION SENSOR
LB98	12-WAY MULTILOCK 40 (BLUE)	ADJACENT TO A/C ECM, RIGHT / BULKHEAD HARNESS
LS10	PM 5 (BLACK)	ADJACENT TO LF BULB FAIL MODULE / HOOD OPEN SWITCH
LS16	PM 5 (GREEN)	UNDER AIR CLEANER BY LF BULB FAIL MODULE / SECURITY SIREN
LS18	.250 BLADE (BLACK)	BEHIND LR 'E' POST READING LIGHT / SECURITY ANTENNA
LS43	20-WAY MULTILOCK 40 (BLACK)	LR WHEEL ARCH, BELOW FUEL FILLER FLAP / SECURITY ECM
LS44	12-WAY MULTILOCK 40 (BLACK)	LR WHEEL ARCH, BELOW FUEL FILLER FLAP / SECURITY ECM
LS45	16-WAY MULTILOCK 40 (BLACK)	TRUNK, LEFT, BEHIND ABS ECM / SECURITY ECM
LS48	6-WAY AMP CS 25 (ORANGE)	TRUNK, LEFT, ON ABS ECM MOUNTING BRACKET / INCLINATION SENSOR
LS62	3-WAY MULTILOCK 70 (WHITE)	TRUNK, LEFT, BY ABS ECM MOUNTING BRACKET / SHOCK SENSOR
PD3	6-WAY ECONOSEAL III LC (BLACK)	PASSENGER'S DOOR, BEHIND PUDDLE LIGHT / PASSENGER'S DOOR LOCK MOTOR
PD4	4-WAY ECONOSEAL III LC (BLACK)	PASSENGER'S DOOR, BOTTOM REAR / PASSENGER'S DOOR SWITCH
RS52	GROTE AND HARTMAN (BLACK)	BEHIND TRUNK LID TRIM PANEL / TRUNK MICRO SWITCH

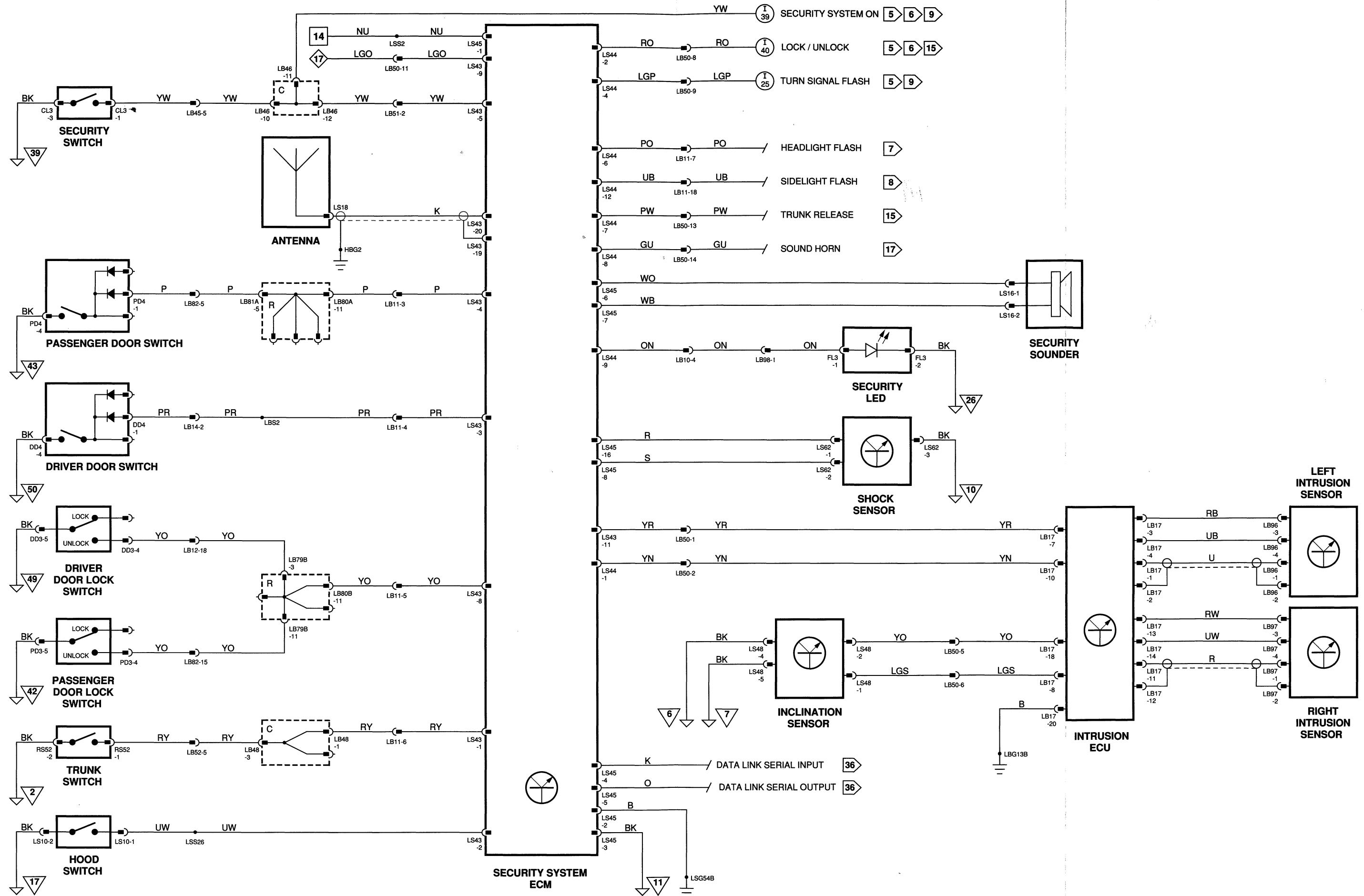
## GROUNDS

CODE	DESCRIPTION	LOCATION / INTERFACE
HBG2	WHITE EYELET	LEFT 'E' POST TRIM BEHIND READING LIGHT / GROUND
LBG13B	WHITE EYELET	ABOVE LEFT FUSE PANEL ON 'A' POST / GROUND
LSG54B	WHITE EYELET	TRUNK, LEFT, BELOW BULB FAIL MODULE / GROUND

## INPUTS / OUTPUTS

SECURITY SYSTEM ECM			ACTIVE	INACTIVE
CODE	IN / OUT	CIRCUIT		
LS43-1	INPUT	TRUNK SWITCH	TRUNK OPEN: GROUND	TRUNK CLOSED: 5V
LS43-2	INPUT	HOOD SWITCH	HOOD OPEN: GROUND	HOOD CLOSED: 5V
LS43-3	INPUT	DRIVER'S DOOR SWITCH	DRIVER'S DOOR OPEN: GROUND	DOOR CLOSED: 5V
LS43-4	INPUT	PASSENGER'S DOOR SWITCH	PASSENGER'S DOOR OPEN: GROUND	DOOR CLOSED: 5V
LS43-5	INPUT	VALET SWITCH	SWITCH OFF: GROUND	SWITCH ON: 5V
LS43-8	INPUT	DRIVER'S / PASSENGER'S DOOR LOCK SWITCH	UNLOCKED: GROUND	LOCKED: 5V
LS43-9	INPUT	IGNITION SWITCHED POWER	KEY ON: 12V	KEY OFF: OPEN CIRCUIT
LS43-11	OUTPUT	INTRUSION SENSOR	SYSTEM UNARMED: 5V	SYSTEM ARMED: 5V
LS43-19	OUTPUT	ALARM ANTENNA SHIELD	GROUND	GROUND
LS43-20	INPUT	ALARM ANTENNA	TRANSMITTER SIGNAL	
LS44-1	OUTPUT	INTRUSION SENSOR	LOCK CYCLE: PULSES TO GROUND	UNLOCK CYCLE: PULSES TO 12V
LS44-2	OUTPUT	LOCK / UNLOCK SIGNAL TO CPU	LOCK / UNLOCK CYCLE: PULSE TO GROUND	5V
LS44-4	OUTPUT	TURN SIGNAL FLASH / CPU FLASH	PULSED SIGNAL	5V
LS44-6	OUTPUT	HEADLIGHT	ON: GROUND	OFF: 12V
LS44-7	OUTPUT	TRUNK RELEASE	RELEASE: GROUND	12V
LS44-8	OUTPUT	SOUND HORN	HORN ON: GROUND	HORN OFF: 12V
LS44-9	OUTPUT	SECURITY L.E.D.	L.E.D. ON: 3.6V	L.E.D. OFF: 0.8V
LS44-12	OUTPUT	SIDELIGHT FLASH	FLASH: PULSE TO GROUND	12V
LS45-1	INPUT	BATTERY POWER	12V	12V
LS45-2	INPUT	POWER GROUND	GROUND	GROUND
LS45-3	INPUT	LOGIC GROUND	GROUND	GROUND
LS45-4	INPUT	SERIAL COMMUNICATIONS DATA LINK	JDS	—
LS45-5	OUTPUT	SERIAL COMMUNICATIONS DATA LINK	JDS	—
LS45-6	OUTPUT	SECURITY SOUNDER	PULSED VOLTAGE	OPEN CIRCUIT
LS45-7	OUTPUT	SECURITY SOUNDER	PULSED VOLTAGE	OPEN CIRCUIT
LS45-8	OUTPUT	SHOCK SENSOR	PULSE TO GROUND	5V
LS45-16	OUTPUT	SHOCK SENSOR	PULSE TO GROUND	5V

CONTINUED AT LEFT ON FOLDOUT



BATTERY POWER (FIGS 1/L, 1/R)
  IGNITION POWER (FIG 2)
  IGNITION SWITCHED GROUND (FIG 3)
  LOGIC GROUND (FIG 4)
  CPU INPUTS / OUTPUTS (FIG 5)
  FIG NUMBER REFERENCE

# FIG 35 DATA

## COMPONENTS

DESCRIPTION	LOCATION	ACCESS
RIDE HEIGHT SENSOR	RIGHT REAR AXLE, ABOVE WISHBONE	BENEATH VEHICLE
SOLENOID VALVE BLOCK	ABOVE RF BRAKE DISC AIR DUCT	BENEATH VEHICLE

## CONNECTORS

CODE	DESCRIPTION	LOCATION / INTERFACE
RS16	4-WAY ECONOSEAL III LC (BLACK)	ABOVE RF BRAKE DISC AIR DUCT / SOLENOID VALVE BLOCK
RS47	8-WAY MULTILOCK 70 (WHITE)	BEHIND BATTERY IN TRUNK / RIDE HEIGHT SENSOR HARNESS
RA3	RIDE LEVELING CONTROL UNIT (BLACK)	RIGHT REAR AXLE / RIDE HEIGHT SENSOR
LB88	20-WAY MULTILOCK 40 (BLACK)	REAR FACE OF RIGHT BLOWER, UNDER FASCIA / BULKHEAD HARNESS

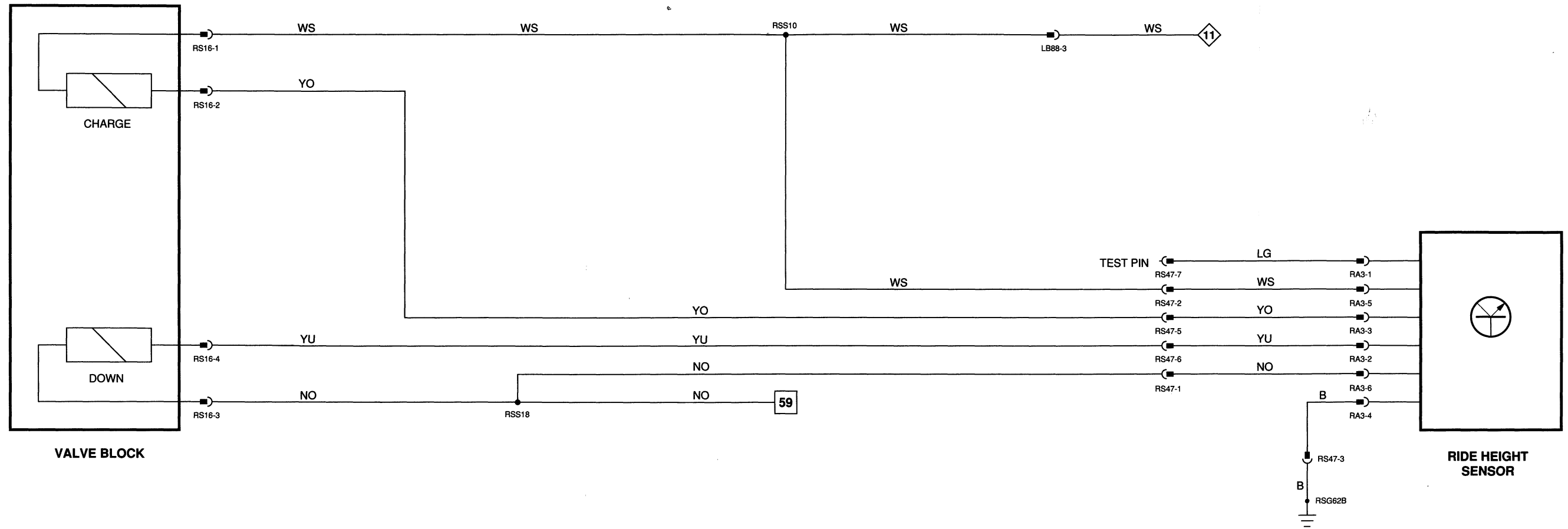
## GROUND

CODE	DESCRIPTION	LOCATION / INTERFACE
RSG62B	WHITE EYELET	TRUNK, RIGHT, BELOW BULB FAIL MODULE / GROUND

## INPUTS / OUTPUTS

### RIDE HEIGHT SENSOR

CODE	IN / OUT	CIRCUIT	ACTIVE	INACTIVE
RA3-1	OUTPUT	TEST PIN		
RA3-2	INPUT	DOWN SOLENOID	GROUND	12V
RA3-3	INPUT	CHARGE SOLENOID	GROUND	12V
RA3-4	OUTPUT	GROUND	GROUND	GROUND
RA3-5	INPUT	IGNITION SWITCHED POWER	KEY ON: 12V	KEY OFF: OPEN CIRCUIT
RA3-6	INPUT	BATTERY POWER	12V	12V



# FIG 36 DATA

## COMPONENTS

### DESCRIPTION

CENTRAL MICROPROCESSOR  
ENGINE CONTROL MODULE  
INSTRUMENT PACK  
SEAT ECM — DRIVER  
SECURITY SYSTEM ECM  
TRANSMISSION CONTROL MODULE

### LOCATION

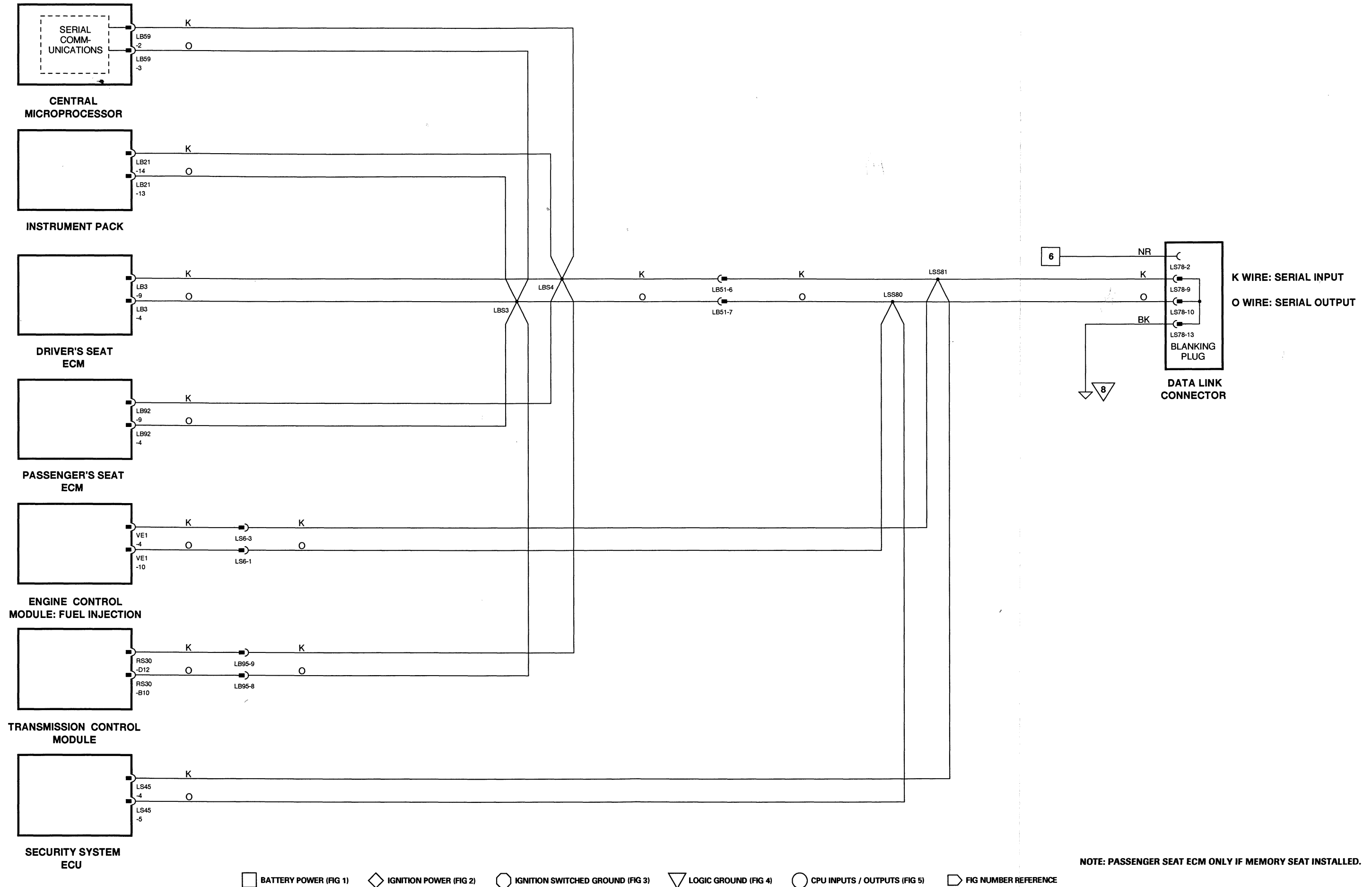
BEHIND GLOVE BOX  
RIGHT UNDER DASH PANEL  
DRIVER'S SIDE FASCIA  
FLOOR, FRONT OF DRIVER'S SEAT  
LEFT REAR WHEEL ARCH  
RIGHT DASH UNDER PANEL

### ACCESS

RIGHT DASH UNDER PANEL  
RIGHT UNDER DASH PANEL  
—  
FLOOR TRIM PANEL  
LEFT TRUNK TRIM  
RIGHT DASH UNDER PANEL

## CONNECTORS

CODE	DESCRIPTION	LOCATION / INTERFACE
FE41	25-WAY ECM (YELLOW)	RIGHT DASH UNDER PANEL / ECM LOW POWER BOARD
GB5	55-WAY AMP (BLACK)	RIGHT DASH UNDER PANEL ON TRANS. CONTROL MODULE / TRANSMISSION CONTROL MODULE
LB3	12-WAY AMP PCB POWER (BLACK)	FLOOR PANEL IN FRONT OF DRIVER'S SEAT / DRIVERS SEAT AND MIRRORS ECM
LB21	24-WAY AMP PCB SIGNAL (BLACK)	BEHIND INSTRUMENT PACK AT FASCIA / INSTRUMENT PACK
LB51	12-WAY MULTILOCK 70 (WHITE)	BENEATH LEFT REAR SEAT BOX SECTION / REAR HARNESS
LB55	20-WAY MULTILOCK 40 (BLACK)	CENTER CONSOLE, FRONT OF GEAR SHIFT / BULKHEAD HARNESS
LB59	6-WAY AMP PCB POWER (BLACK)	BEHIND GLOVE BOX ON CPU / CENTRAL MICROPROCESSOR
LS6	13-WAY ECONOSEAL III LC (BLACK)	RIGHT BULKHEAD ADJACENT TO ABS PUMP / RIGHT SIDE HARNESS
LS45	16-WAY MULTILOCK 40 (BLACK)	TRUNK, LEFT, BEHIND ABS ECM / SECURITY ECM
LS78	14-WAY AMP CPC ISO (BLACK)	TRUNK, RIGHT, BELOW BATTERY TRAY / ISO DATA LINK



# FIG 37 DATA

## COMPONENTS

### DESCRIPTION

CONNECTOR — ENGINE BAY ACCESSORY  
CONNECTOR — INTERIOR ACCESSORY  
CONNECTOR — TELEPHONE  
CONNECTOR — TRAILER  
CONNECTOR — TRUNK ACCESSORY  
REAR VIEW MIRROR (ELECTROCHROMATIC)  
RELAY — FRONT ACCESSORY (LB117)  
RELAY — REAR ACCESSORY (RS94)

### LOCATION

ADJACENT TO ABS ACTUATOR  
PASSENGERS UNDERDASH  
BELOW BATTERY TRAY  
RIGHT REAR WHEEL ARCH  
BELOW RIGHT REAR TRUNK HINGE  
CENTER OF WINDSCREEN  
BEHIND RADIO ON LEFT SIDE BRACKET  
ADJACENT TO ANTENNA ON BRACKET

### ACCESS

ENGINE COMPARTMENT  
RIGHT DASH UNDER PANEL  
BATTERY COVER  
RIGHT TRUNK TRIM  
RIGHT TRUNK TRIM  
REMOVE RADIO  
RIGHT TRUNK TRIM

## CONNECTORS

### CODE

### DESCRIPTION

LB9 12-WAY MULTILOCK 70 (WHITE)  
LB53 12-WAY MULTILOCK 70 (WHITE)  
LB88 20-WAY MULTILOCK 40 (BLACK)  
LB112 3-WAY MULTILOCK 70 (WHITE)  
LB116 3-WAY AMP .250 SERIES  
LB117 RELAY BASE (BLACK)  
LS80 3-WAY AMP .250 SERIES  
RS63 2-WAY ECONOSEAL III HC (BLACK)  
RS79 4-WAY MULTILOCK 70 (WHITE)  
RS94 RELAY BASE (BLACK)  
RS95 3-WAY AMP .250 SERIES

### LOCATION / INTERFACE

BEHIND LEFT FUSE PANEL / ENGINE BAY ACCESSORY CONNECTOR  
BENEATH RIGHT REAR SEAT IN BOX SECTION / RIGHT SIDE HARNESS  
REAR FACE OF RIGHT BLOWER, UNDER FASCIA / BULKHEAD HARNESS  
ABOVE HEADLINER IN ROOF PANEL BY MAP LIGHT / ROOF PANEL LIGHTS  
PASSENGER'S RELAY MOUNTING PANEL / INTERIOR ACCESSORY CONNECTOR  
BEHIND RADIO CONSOLE ON LEFT BRACKET / FRONT ACCESSORY RELAY  
ADJACENT TO ABS ACTUATOR / ENGINE BAY ACCESSORY CONNECTOR  
TRUNK, RIGHT, BY WHEEL ARCH / TRAILER CONNECTOR  
BELOW RIGHT TRUNK HINGE / TRUNK ACCESSORY CONNECTOR  
ADJACENT TO ANTENNA MOUNTING BRACKET / REAR ACCESSORY RELAY  
FITTED TO BATTERY SUPPORT TRAY / TELEPHONE CONNECTOR

## GROUNDS

### CODE

### DESCRIPTION

LBG39A WHITE EYELET  
LBG39C WHITE EYELET  
RSG62A WHITE EYELET  
RSG62B WHITE EYELET  
RSG62C WHITE EYELET

### LOCATION / INTERFACE

ABOVE RIGHT FUSE PANEL ON 'A' POST / GROUND  
ENGINE BAY, LEFT, ADJACENT TO CRUISE CONTROL PUMP / GROUND  
TRUNK, RIGHT REAR, BELOW BULB FAIL MODULE / GROUND  
TRUNK, RIGHT REAR, BELOW BULB FAIL MODULE / GROUND  
TRUNK, RIGHT REAR, BELOW BULB FAIL MODULE / GROUND



