


XJ6 Sedan Range 1993 Electrical Guide

 **WARNING:** This publication is intended for use by professional technicians with knowledge of Jaguar vehicle systems. All necessary safety precautions must be taken when servicing or handling components and systems that have the potential for causing bodily injury or death.

Publication number S-65 / 93

© 1992 Jaguar Cars Inc.

All rights reserved. All material contained herein is based on the latest information available at the time of publication. The right is reserved to make changes at any time without notice.

Front Matter

Component Index	i - iv
Key to Symbols and Codes	v - vi
Connector Identification	vii
Relay Identification and Location	viii
ECU Identification and Location	ix
Fuse Identification and Location	x - xi

Wiring Diagrams

Battery Power Distribution — Left Fuse Panel	FIG 1/L
Battery Power Distribution — Right Fuse Panel	FIG 1/R
Ignition Switched Power Distribution	FIG 2
Ignition Switched Ground Distribution	FIG 3
Logic Ground Distribution	FIG 4
Central Microprocessor: Inputs / Outputs	FIG 5
Battery; Starter; Generator; Gear Shift Interlock	FIG 6
Headlights; Fog Lights	FIG 7
Side Lights; Tail Lights	FIG 8
Turn Signals; Hazard Warning Lights; Stop Lights	FIG 9
Interior Lighting	FIG 10
Instrument Lighting; Locate Lighting; Clock	FIG 11
Instrumentation: Normal Display	FIG 12
Instrumentation: Hazard and Fault Display	FIG 13
Audible Warnings	FIG 14
Central Locking	FIG 15
Powered Windows; Sun Roof	FIG 16
Horns; Cigar Lighters; Hood Lights; Glove Box Light; Accessory Connectors	FIG 17
Powered Seat: Driver	FIG 18
Powered Mirrors	FIG 19
Powered Seat: Passenger	FIG 20
Seat Heaters	FIG 21
Heaters: Windshield Washer, Headlight Power Wash, Engine Breather	FIG 22
Heaters: Rear Window, Door Mirrors, Windshield	FIG 23
Windshield Wiper; Windshield Washer; Headlight Power Wash	FIG 24
Anti-Lock Braking	FIG 25
Cruise Control	FIG 26
In-Car Entertainment	FIG 27
Climate Control	FIG 28
Compressor Clutch; Cooling Fans	FIG 29
Engine Management System	FIG 30
Transmission Control	FIG 31
Security System	FIG 32
Serial Communications Data Link	FIG 33
Powered Seat: Passenger (Memory)	FIG 34
Ride Leveling	FIG 35

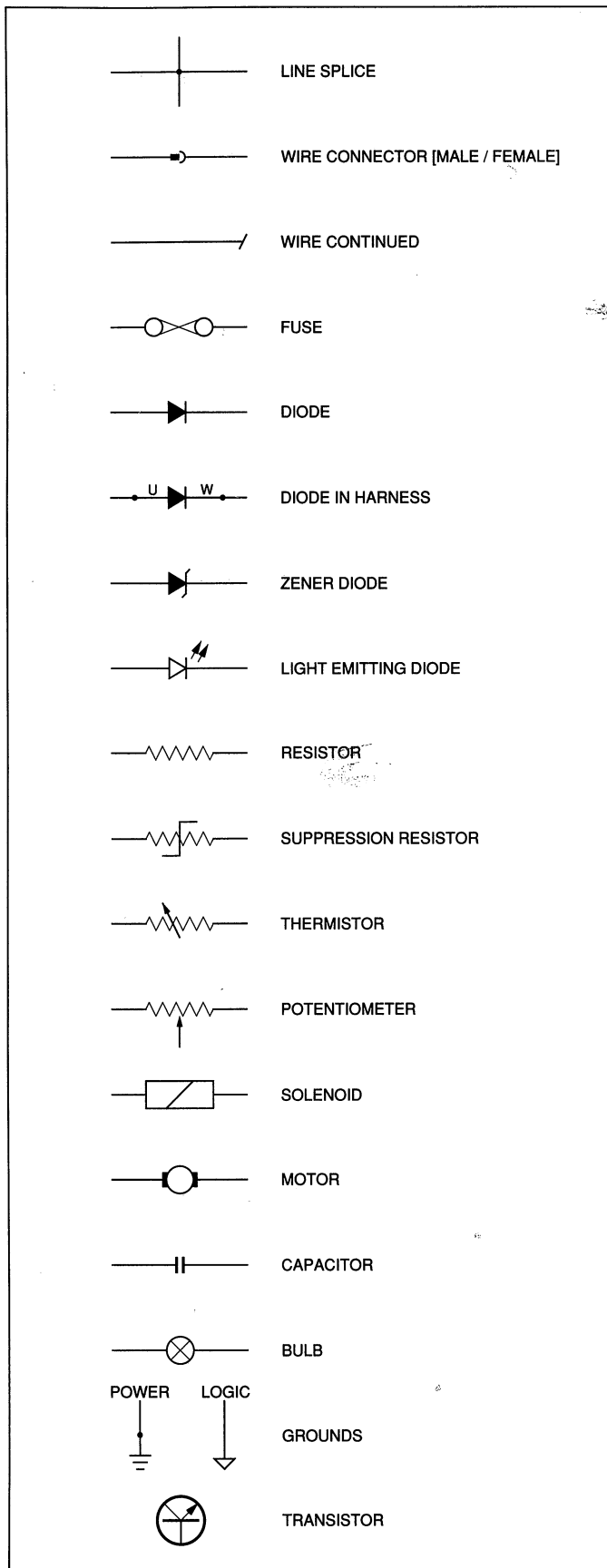
ABS DIAGNOSTIC CONNECTOR	FIG 25	CIGAR LIGHTER – REAR	FIG 17
ABS ECU	FIG 25	CLIMATE CONTROL MICROPROCESSOR	FIG 28
ABS MAIN VALVE	FIG 25	CLIMATE CONTROL PANEL	FIG 11 FIG 23 FIG 28
ABS PUMP	FIG 25		
ABS RESERVOIR	FIG 25	CLIMATE CONTROL SOLENOID VALVE BLOCK	FIG 28
ABS VALVE BLOCK	FIG 25	CLIMATE CONTROL SWITCH	FIG 11
AIR CONDITIONING COMPRESSOR CLUTCH	FIG 29	COLUMN SWITCH GEAR	FIG 10
AIR INJECTION PUMP	FIG 30	COLUMN SWITCH GEAR SPEAKER	FIG 14
AIR INJECTION SOLENOID VALVE	FIG 30	COMBINED PRESSURE SWITCH	FIG 25
AIR TEMPERATURE SENSOR	FIG 30	COOLANT TEMPERATURE SENSOR	FIG 12 FIG 30
AMBIENT AIR TEMPERATURE SENSOR	FIG 22	COOLANT TEMPERATURE SWITCH	FIG 28
AMBIENT TEMPERATURE SENSOR	FIG 28	CRANKSHAFT SENSOR	FIG 30
ANTENNA	FIG 27	CRUISE CONTROL ECU	FIG 26
ANTENNA MOTOR	FIG 27	CRUISE CONTROL INHIBIT	FIG 26
ASPIRATOR	FIG 28	CYCLE SWITCH	FIG 12
BATTERY	FIG 1/L FIG 1/R FIG 4 FIG 6	DECODER MODULE	FIG 31
		DIMMER SWITCH	FIG 11
BLOWER – LEFT	FIG 28	DOOR GUARD LIGHT – DRIVER	FIG 10
BLOWER – RIGHT	FIG 28	DOOR GUARD LIGHT – LEFT REAR	FIG 10
BRAKE PAD – LEFT REAR	FIG 13	DOOR GUARD LIGHT – PASSENGER	FIG 10
BRAKE PAD – RIGHT REAR	FIG 13	DOOR GUARD LIGHT – RIGHT REAR	FIG 10
BRAKE SWITCH	FIG 6 FIG 9 FIG 13 FIG 25 FIG 26	DOOR LOCK SWITCH – DRIVER	FIG 15 FIG 32
		DOOR LOCK SWITCH – PASSENGER	FIG 15 FIG 32
CD AUTO CHANGER	FIG 27	DOOR MIRROR – DRIVER	FIG 19
CD HEAD	FIG 27	DOOR MIRROR – PASSENGER	FIG 19
CENTER CONSOLE	FIG 10 FIG 11 FIG 15 FIG 16 FIG 23	DOOR SWITCH PACK – DRIVER	FIG 10 FIG 11 FIG 16 FIG 18 FIG 19
CENTRAL MICROPROCESSOR	FIG 5 FIG 6 FIG 9 FIG 10 FIG 11 FIG 13 FIG 14 FIG 15 FIG 16 FIG 21 FIG 23 FIG 24 FIG 27 FIG 33	DOOR SWITCH PACK – LEFT REAR	FIG 10 FIG 11 FIG 16
		DOOR SWITCH PACK – PASSENGER	FIG 10 FIG 11 FIG 16
		DOOR SWITCH PACK – RIGHT REAR	FIG 10 FIG 11 FIG 16
		DOOR SWITCH – DRIVER	FIG 10 FIG 14 FIG 18 FIG 32
CIGAR LIGHTER – FRONT	FIG 17		

DOOR SWITCH – LEFT REAR	FIG 10	HOOD LIGHTS	FIG 17
DOOR SWITCH – PASSENGER	FIG 10 FIG 32	HOOD SWITCH	FIG 17 FIG 32
DOOR SWITCH – RIGHT REAR	FIG 10	HORN SWITCHES	FIG 17
DUMP VALVE	FIG 26	HORN – LEFT	FIG 17
E POST LIGHT – LEFT	FIG 10	HORN – RIGHT	FIG 17
E POST LIGHT – RIGHT	FIG 10	IDLE SPEED ACTUATOR	FIG 30
EGR SOLENOID VACUUM VALVE	FIG 30	IGNITION AMPLIFIER	FIG 30
EGR TEMPERATURE SENSOR	FIG 30	IGNITION COIL	FIG 30
ENGINE BREATHER HEATER	FIG 22	IGNITION SWITCH	FIG 3 FIG 6
ENGINE CONTROL MODULE	FIG 30 FIG 33	IN-CAR TEMPERATURE SENSOR	FIG 28
ENGINE COOLANT LEVEL SENSOR	FIG 13	INCLINATION SENSOR	FIG 32
EVAPORATOR TEMPERATURE SENSOR	FIG 28	INERTIA SWITCH	FIG 3
FACIA SWITCH PACK	FIG 7 FIG 8 FIG 9 FIG 11 FIG 14 FIG 24	INSTRUMENT PACK	FIG 11 FIG 12 FIG 13 FIG 33
FAN MOTOR – LEFT	FIG 29	INTRUSION ECU	FIG 32
FAN MOTOR – RIGHT	FIG 29	INTRUSION SENSOR – LEFT	FIG 32
FEEDBACK POTENTIOMETER – LOWER	FIG 28	INTRUSION SENSOR – RIGHT	FIG 32
FEEDBACK POTENTIOMETER – UPPER	FIG 28	KEY BARREL SWITCH – DRIVER	FIG 15 FIG 16
FUEL INJECTORS	FIG 30	KEY BARREL SWITCH – PASSENGER	FIG 15 FIG 16
FUEL LEVEL SENSOR	FIG 12	KEY-IN SWITCH	FIG 10 FIG 14
FUEL PUMP	FIG 30	KEY LOCK SOLENOID	FIG 6
FUSE PANEL – CENTER	FIG 2	KICKDOWN SWITCH	FIG 31
FUSE PANEL – LEFT	FIG 1/L	LOCK ACTUATOR – DRIVER DOOR	FIG 15
FUSE PANEL – RIGHT	FIG 1/R	LOCK ACTUATOR – FUEL FILLER FLAP	FIG 15
GEAR POSITION INDICATOR MODULE	FIG 31	LOCK ACTUATOR – LEFT REAR DOOR	FIG 15
GEAR SHIFT SOLENOID	FIG 6	LOCK ACTUATOR – PASSENGER DOOR	FIG 15
GENERATOR	FIG 6	LOCK ACTUATOR – RIGHT REAR DOOR	FIG 15
GLOVE BOX LIGHT	FIG 17	LOCK ACTUATOR – TRUNK	FIG 15
GLOVE BOX SWITCH	FIG 17	LUMBAR SWITCH – DRIVER	FIG 18
HAND BRAKE SWITCH	FIG 13	LUMBAR SWITCH – PASSENGER	FIG 20
HEADLIGHT FLASH SWITCH	FIG 7	MAIN RECIRCULATION SOLENOID	FIG 28
HEADLIGHT WASH PUMP	FIG 24	MASS AIR FLOW METER	FIG 30
HEADLIGHT WASHER HEATER – LEFT	FIG 22	MIRROR HEATER – DRIVER	FIG 23
HEADLIGHT WASHER HEATER – RIGHT	FIG 22	MIRROR HEATER – PASSENGER	FIG 23
HEATER – REAR WINDOW	FIG 23	MODE SWITCH	FIG 31
HIGH MOUNT STOP LIGHT	FIG 9 FIG 25		

OIL PRESSURE SENSOR	FIG 12	SEAT MOTORS – PASSENGER	FIG 20 FIG 34
OXYGEN SENSOR	FIG 30	SEAT SWITCH PACK – DRIVER	FIG 11 FIG 18 FIG 19 FIG 21
PARK MICRO SWITCH	FIG 6		
POWER WASH HEATER – LEFT	FIG 22		
POWER WASH HEATER – RIGHT	FIG 22	SEAT SWITCH PACK – PASSENGER	FIG 11 FIG 20 FIG 21 FIG 34
PURGE VALVE	FIG 30		
RADIATOR THERMAL SWITCH	FIG 29		
RADIO	FIG 11 FIG 27	SEAT SWITCH – DRIVER	FIG 10 FIG 14
REFRIGERANT PRESSURE SWITCH (SINGLE)	FIG 29	SEAT THERMOSTAT – DRIVER	FIG 21
REFRIGERANT PRESSURE SWITCH (TRIPLE)	FIG 29	SEAT THERMOSTAT – PASSENGER	FIG 21
RELAY AND BULB FAILURE MODULE – LEFT FRONT	FIG 7 FIG 8 FIG 9	SECURITY LED	FIG 32
		SECURITY SOUNDER	FIG 32
RELAY AND BULB FAILURE MODULE – LEFT REAR	FIG 7 FIG 8 FIG 9	SECURITY SWITCH	FIG 32
		SECURITY SYSTEM ANTENNA	FIG 32
RELAY AND BULB FAILURE MODULE – RIGHT FRONT	FIG 7 FIG 8 FIG 9	SECURITY SYSTEM ECU	FIG 32 FIG 33
		SERVO – LOWER	FIG 28
RELAY AND BULB FAILURE MODULE – RIGHT REAR	FIG 7 FIG 8 FIG 9	SERVO – UPPER	FIG 28
		SHOCK SENSOR	FIG 32
RFI PROTECTION MODULE	FIG 30	SOLAR SENSOR	FIG 28
RIDE HEIGHT SENSOR	FIG 35	SPEAKER – LEFT FRONT BASS	FIG 27
RIDE LEVELING VALVE BLOCK	FIG 35	SPEAKER – LEFT FRONT TWEETER	FIG 27
ROOF CONSOLE	FIG 10	SPEAKER – LEFT REAR BASS	FIG 27
ROTARY SWITCH	FIG 31	SPEAKER – LEFT REAR TWEETER	FIG 27
SEAT AND MIRRORS ECU – DRIVER	FIG 18 FIG 19	SPEAKER – RIGHT FRONT BASS	FIG 27
		SPEAKER – RIGHT FRONT TWEETER	FIG 27
SEAT BACK HEATER – DRIVER	FIG 21	SPEAKER – RIGHT REAR BASS	FIG 27
SEAT BACK HEATER – PASSENGER	FIG 21	SPEAKER – RIGHT REAR TWEETER	FIG 27
SEAT BACK LIGHT AND SWITCH – LEFT	FIG 10	STARTER	FIG 6
SEAT BACK LIGHT AND SWITCH – RIGHT	FIG 10	SUPPRESSION MODULE	FIG 6
SEAT CONTROL UNIT – PASSENGER	FIG 20 FIG 34	SWITCH PACK – SUNROOF	FIG 16
		TELEPHONE CONNECTOR	FIG 17
SEAT CUSHION HEATER – DRIVER INNER	FIG 21	THROTTLE POSITION SENSOR	FIG 30 FIG 31
SEAT CUSHION HEATER – DRIVER OUTER	FIG 21		
SEAT CUSHION HEATER – PASSENGER INNER	FIG 21	TRAILER CONNECTOR	FIG 17
SEAT CUSHION HEATER – PASSENGER OUTER	FIG 21	TRANSIT ISOLATION DEVICE	FIG 2
SEAT ECU – DRIVER	FIG 33	TRANSMISSION CONTROL MODULE	FIG 31 FIG 33
SEAT LUMBAR PUMP – DRIVER	FIG 18		
SEAT LUMBAR PUMP – PASSENGER	FIG 20	TRANSMISSION	FIG 31
SEAT MOTORS – DRIVER	FIG 18		

TRANSMISSION ROTARY SWITCH	FIG 6 FIG 8
TRIP COMPUTER KEYBOARD	FIG 12
TRUNK LIGHT	FIG 10
TRUNK LIGHT SWITCH	FIG 10
TRUNK RELEASE ACTUATOR	FIG 15
TRUNK RELEASE ISOLATION SWITCH	FIG 15
TRUNK RELEASE SWITCH	FIG 15
TRUNK SWITCH	FIG 13 FIG 32
TURN SIGNAL SWITCHES	FIG 9
TURN SIGNAL SWITCHES	FIG 14
VACUUM PUMP AND CONTROL VALVE	FIG 26
VANITY MIRROR – LEFT	FIG 10
VANITY MIRROR – RIGHT	FIG 10
WASHER FLUID LEVEL SENSOR	FIG 13 FIG 24
WHEEL SPEED SENSOR – LEFT FRONT	FIG 25
WHEEL SPEED SENSOR – LEFT REAR	FIG 25
WHEEL SPEED SENSOR – RIGHT FRONT	FIG 25
WHEEL SPEED SENSOR – RIGHT REAR	FIG 25
WINDSHIELD HEATER – LEFT	FIG 23
WINDSHIELD HEATER – RIGHT	FIG 23
WINDSHIELD WASH PUMP	FIG 24
WIPE / WASH SWITCHES	FIG 24
WIPER MOTOR	FIG 24

Wiring Symbols



Wiring Color Codes

N	Brown	G	Green	S	Slate
B	Black	R	Red	L	Light
W	White	Y	Yellow	U	Blue
K	Pink	O	Orange	P	Purple

When a wire has two or more color code letters, the first letter indicates the main color and the subsequent letter(s) indicate the tracer color(s).

Wiring Harness Codes

Code	Description
AC	Air conditioning (climate control unit)
AN	Alternator suppression
BH	Bonnet hood (under hood lights)
CB	Cubby box (glove box)
CE	In-Car entertainment
CF	Cooling fan
CH	Cushion heater
CL	Cigar lighter
DD	Driver's door (main harness)
FA	Front axle (R - right, L - left)
FE	Four-litre (AJ6) engine
FF	Front fender (R - right, L - left)
FL	Fascia lighting
FP	Fuel pump
GB	Transmission (gear box)
HB	Heated backlight (rear window)
HL	Hazard lighting
HM	High mount stop lights
HS	Heated seats
IL	Interior lights
LB	Bulkhead harness (left hand drive)
LF	Left front harness
LS	Left side harness
PD	Passenger's door (main harness)
PL	Puddle lighting
RA	Right rear axle
RD	Rear door harness (R - right, L - left)
RF	Rear fender (R - right, L - left)
RS	Right side harness
SC	Steering column
SM	Seat motor
SQ	Squab heater (Seat back)
SR	Sun roof
SS	Seat switches
ST	Starter terminal
SW	Screen wash
R / L	Right / left
D / P	Driver's / Passenger's

Connector Codes

HARNESS CODE + CONNECTOR NUMBER + PIN NUMBER

EXAMPLE: LB13-24 (pin number is separated by a dash)

Note: Absence of a dash and a pin number indicates a single wire connector.

Splice Codes

HARNESS CODE + S + IDENTIFICATION NUMBER

EXAMPLE: LBS3 (no dash is used)

Ground Codes

HARNESS CODE + G + IDENTIFICATION NUMBER

EXAMPLE: LBG78 (no dash is used)

Diode Codes

HARNESS CODE + D + IDENTIFICATION NUMBER

EXAMPLE: LSD3 (no dash is used)

Reference Symbols

Five reference symbols are used to indicate the remainder of the circuit (feed and ground) and refer the reader to one of the five preliminary figures.

 BATTERY POWER DISTRIBUTION (FIGS 1/L, 1/R)

 IGNITION SWITCHED POWER (FIG 2)

 IGNITION SWITCHED GROUND (FIG 3)

 LOGIC GROUND (FIG 4)

 CENTRAL MICROPROCESSOR INPUTS / OUTPUTS (FIG 5)

Note: An 'I' in this symbol denotes an input; an 'O' denotes an output.

Reference Flags

 REFERENCE FLAG

This symbol refers the reader to a figure number only. It does not refer to a flag with the same number on a different figure.

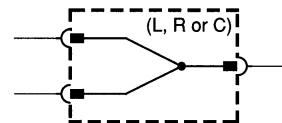
As used in figures 1/L, 1/R, 2 and 3, the FLAG refers to a figure number where the circuit is continued. In this instance, the reader matches the BOX, DIAMOND or OCTAGON numbers to trace the circuit.

In most other cases, it is not necessary to refer to another figure for completion of a circuit. The FLAGS are used to indicate parallel circuits and circuits which share components. Most of the circuits where this situation occurs are overlapped to avoid the necessity for cross-referencing to another figure. Exceptions to this rule are INSTRUMENTATION: NORMAL DISPLAY and the INSTRUMENTATION: HAZARD AND FAULT DISPLAY.

Splice Boxes

Splice boxes are indicated by a broken line around a harness splice. The letters 'L', 'R' or 'C' are used to denote the left, right or center splice box.

EXAMPLE:

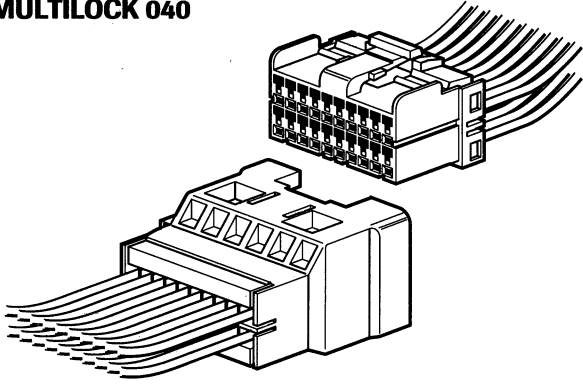


The left and right splice boxes are located, respectively, on the left and right blower housings. The center splice box is integral with the center fuse panel.

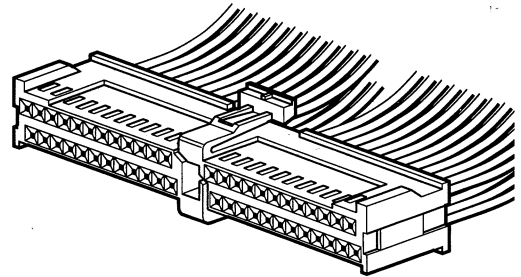
Data Pages

Every wiring diagram has a corresponding data page to its left in the book. This information aids the reader in identifying and locating components, connectors and ground points. Additionally, where applicable, processor and logic unit INPUT / OUTPUT information is provided to aid the reader in understanding circuit operation. This information should be used for reference only.

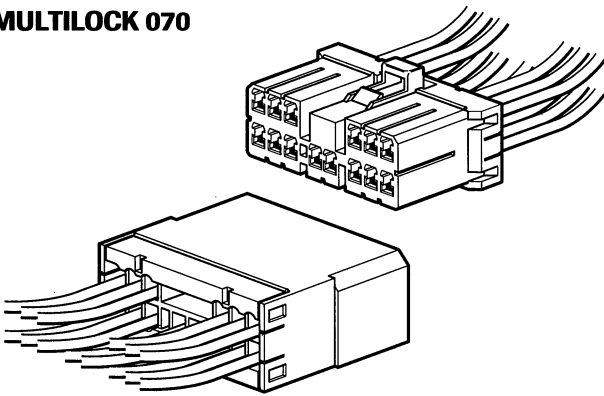
MULTILOCK 040



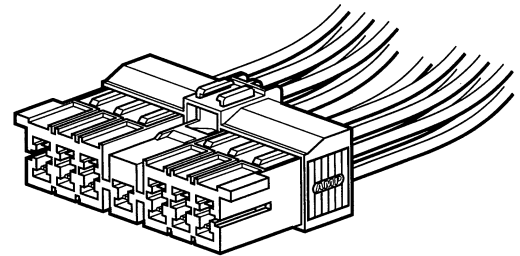
MODU WIRE TO BOARD



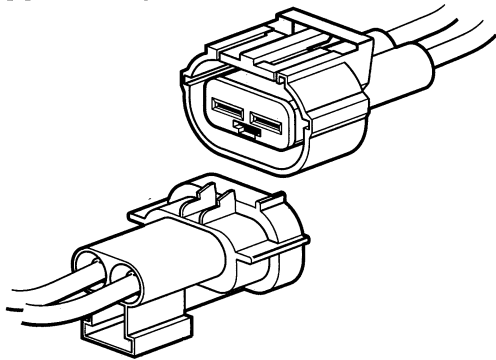
MULTILOCK 070



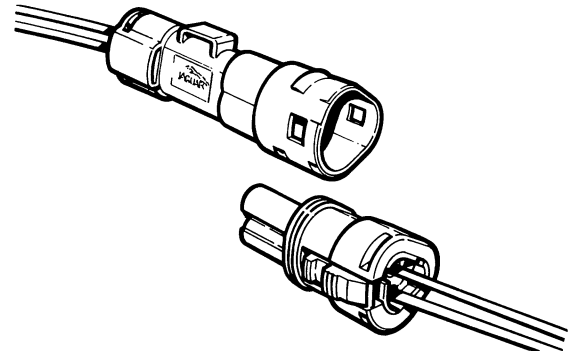
MIC MK IV



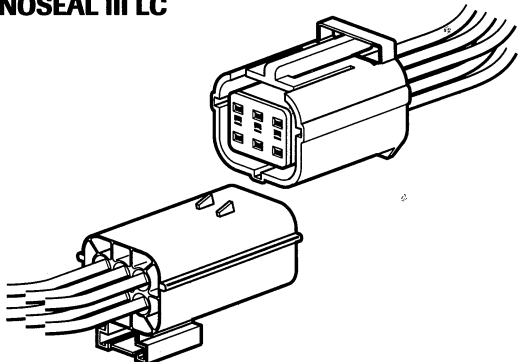
ECONOSEAL III HC



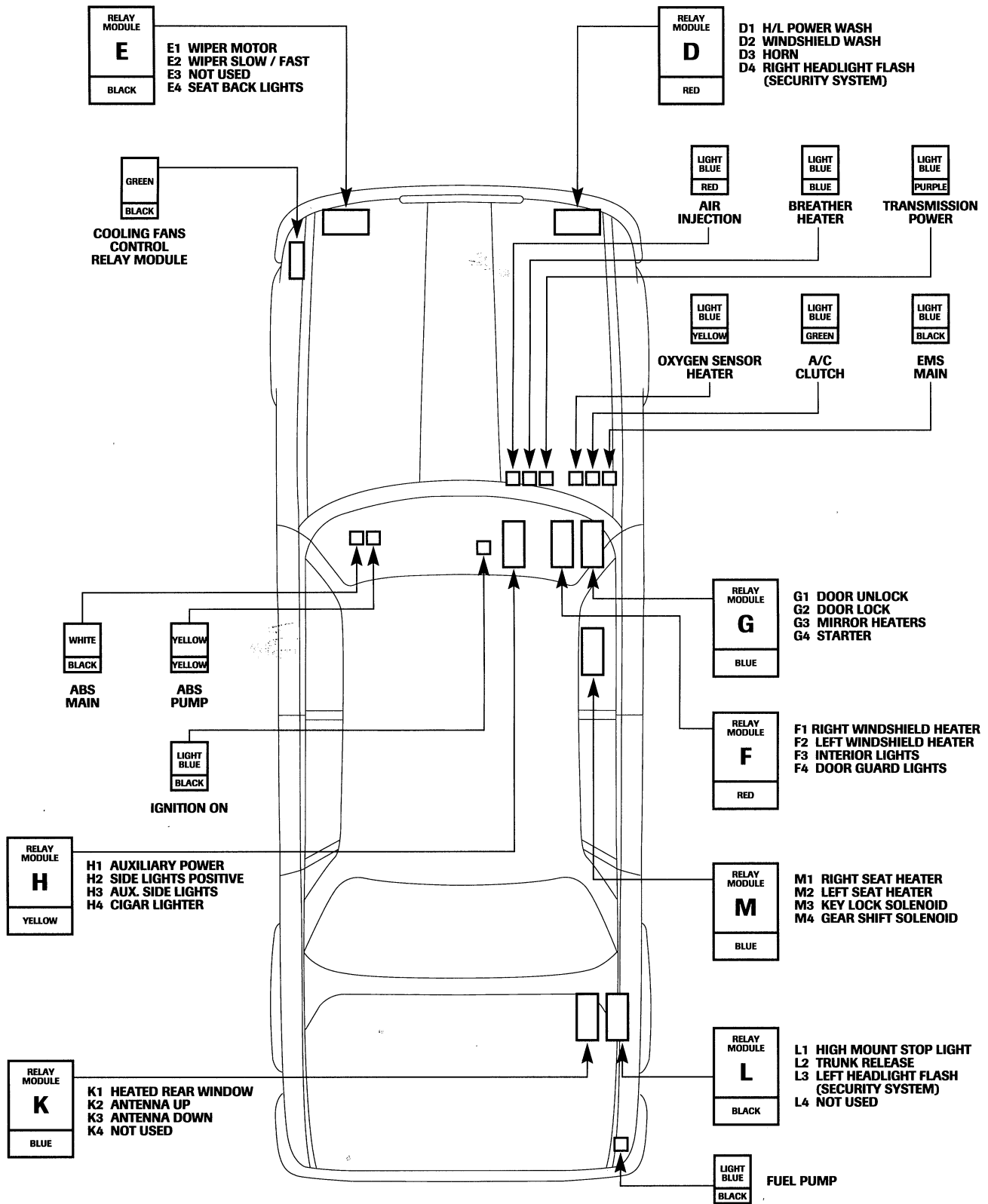
PM 5

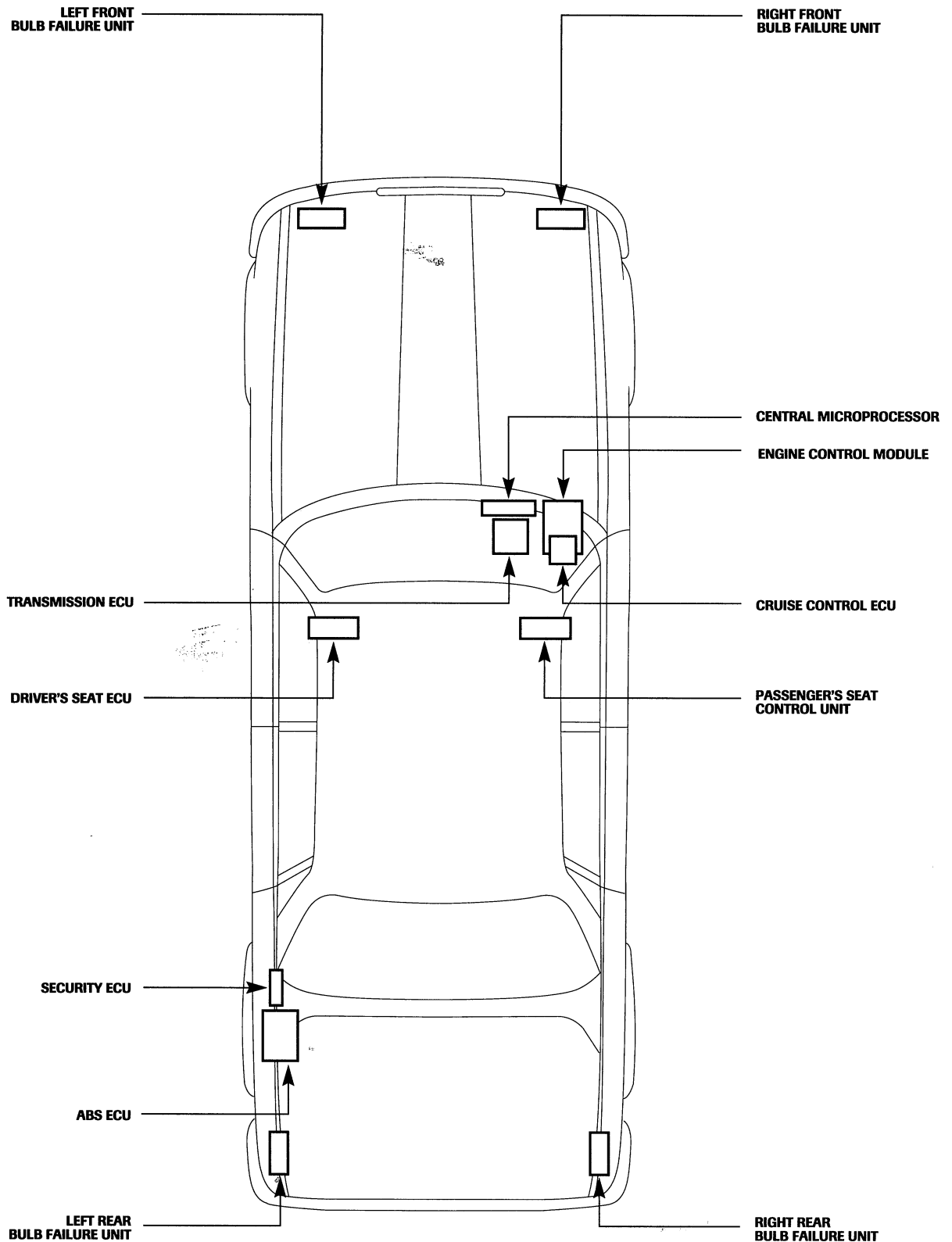


ECONOSEAL III LC



Relay Identification and Location





Left fuse panel

Number	Color	Value	Circuit(s)
A1	Red	10A	Driver's seat ECU and memory Mirror heaters Dimmer
A2	Lt. Green	30A	Cooling fans
A3	Violet	3A	Not used
A4	White	25A	Driver's seat power
A5	Violet	3A	Lighting logic Ignition on relay Passenger's seat control Radio memory Transmission ECU memory Center console, LCD lock
A6	Red	10A	Purge control valve Air injection pump Breather heater Data link power
A7	Lt. Green	30A	Cooling fans relay module
A8	Yellow	20A	Windshield wiper motor
A9	Violet	3A	Not used
B1	Lt. Green	30A	Left rear window lift Driver's window lift
B2	Yellow	20A	Sun roof
B3	Violet	3A	Not used
B4	Yellow	20A	Left blower
B5	Red	10A	Instrument pack
B6	Red	10A	Security ECU
B7	Violet	3A	Not used
B8	Lt. Blue	15A	Left rear lights: fog light, reverse light, turn signal, stop light
B9	Lt. Green	30A	ABS power
C1	Yellow	20A	Engine management system power
C2	Red	10A	Interior lights Cigar lighter illumination, hood lights
C3	Red	10A	CPU power
C4	Red	10A	Gear shift interlock
C5	White	25A	Left windshield heater
C6	Lt. Green	30A	ABS pump
C7	Red	10A	Left front side marker, turn signal, side light Left rear tail, license, side marker lights
C8	Lt. Blue	15A	Left headlight high beam
C9	Lt. Blue	15A	Left headlight low beam, left front fog light

Right fuse panel

Number	Color	Value	Circuit(s)
A1	Red	10A	Driver's lumbar pump Passenger's lumbar pump Air conditioning clutch
A2	Red	10A	Transmission control power
A3	Violet	3A	Not used
A4	White	25A	Passenger's seat power
A5	Lt. Blue	15A	Central locking
A6	White	25A	Trailer Telephone

Right fuse panel (continued)

Number	Color	Value	Circuit(s)
A7	White	25A	Heated rear window
A8	Red	10A	Trunk release Antenna
A9	Violet	3A	Not used
B1	Lt. Green	30A	Right rear window lift Passenger's window lift
B2	Lt. Blue	15A	Auxiliary power
B3	Violet	3A	Not used
B4	Yellow	20A	Right blower
B5	Red	10A	Engine management system ECM memory
B6	Lt. Blue	15A	Horns
B7	Red	10A	Windshield washer pump
B8	Lt. Blue	15A	Right rear lights: fog light, reverse light, turn signal, stop light
B9	Lt. Green	30A	Headlight washer pump
C1	Yellow	20A	Cigar lighters
C2	White	25A	Passenger's seat heater Driver's seat heater
C3	White	25A	Starter relay
C4	Red	10A	Oxygen sensor heater, fuel pump relay
C5	White	25A	Right windshield heater
C6	White	25A	Fuel pump
C7	Red	10A	Right front side marker, turn signal, side light Headlight flash (security system) Right rear tail, license, side marker lights
C8	Lt. Blue	15A	Right headlight low beam
C9	Lt. Blue	15A	Right headlight low beam, left front fog light

Center fuse panel

Number	Color	Value	Circuit(s)
1	Violet	3A	Generator (regulator) Right front bulb failure module (relays): right headlight low beam, fog light Left rear bulb failure module (relays): fog light, reverse light
2	Violet	3A	Passenger's seat heater relay Wiper fast / slow relay Driver's seat heater relay CPU ignition-on input Lighting logic unit
3	Tan	5A	Left front bulb failure module (relays): left headlight low beam, fog light Right rear bulb failure module (relays): fog light, reverse light, high mount stop light
4	Violet	3A	Not used
5	Violet	3A	Cruise control
6	Tan	5A	Cigar lighter relay Starter relay Transmission mode switch illumination
7	Violet	3A	Heated washer jets sensor Motorized aspirator
8	Violet	3A	ABS ECU, ABS main relay
9	Violet	3A	Instrument pack
10	Tan	5A	Not used

FIG 1 LEFT DATA

COMPONENTS

DESCRIPTION
BATTERY
FUSE PANEL — LEFT

LOCATION
TRUNK, RIGHT
LEFT 'A' POST

ACCESS
BATTERY TRIM COVER
FUSE BOX TRIM COVER

CONNECTORS

CODE	DESCRIPTION
LB6	13-WAY AMP MK4 (BROWN)
LB7	13-WAY AMP MK4 (WHITE)
LB22B	16-WAY MULTILOCK 40 (BLACK)
LB23B	16-WAY MULTILOCK 40 (BLUE)
LB24B	16-WAY MULTILOCK 40 (GREEN)
LB78	WHITE EYELET
LF1	WHITE EYELET
LS6	13-WAY ECONOSEAL III LC (BLACK)
LS33	13-WAY AMP MK4 (SLATE)
LS34	13-WAY AMP MK4 (BLACK)

LOCATION / INTERFACE
LEFT 'A' POST / LEFT FUSE PANEL
LEFT 'A' POST / LEFT FUSE PANEL
LEFT BLOWER MOTOR HOUSING BRACKET / LEFT SPLICE BOX
LEFT BLOWER MOTOR HOUSING BRACKET / LEFT SPLICE BOX
LEFT BLOWER MOTOR HOUSING BRACKET / LEFT SPLICE BOX
LEFT BLOWER MOTOR HOUSING BRACKET / LEFT SPLICE BOX
RIGHT OF A/C UNIT, BEHIND FASCIA / RIGHT BATTERY TERMINAL EYELET
LEFT FUSE PANEL ON 'A' POST / LEFT BATTERY TERMINAL EYELET
RIGHT BULKHEAD ADJACENT TO ABS PUMP / RIGHT SIDE HARNESS
LEFT 'A' POST / LEFT FUSE PANEL
LEFT 'A' POST / LEFT FUSE PANEL

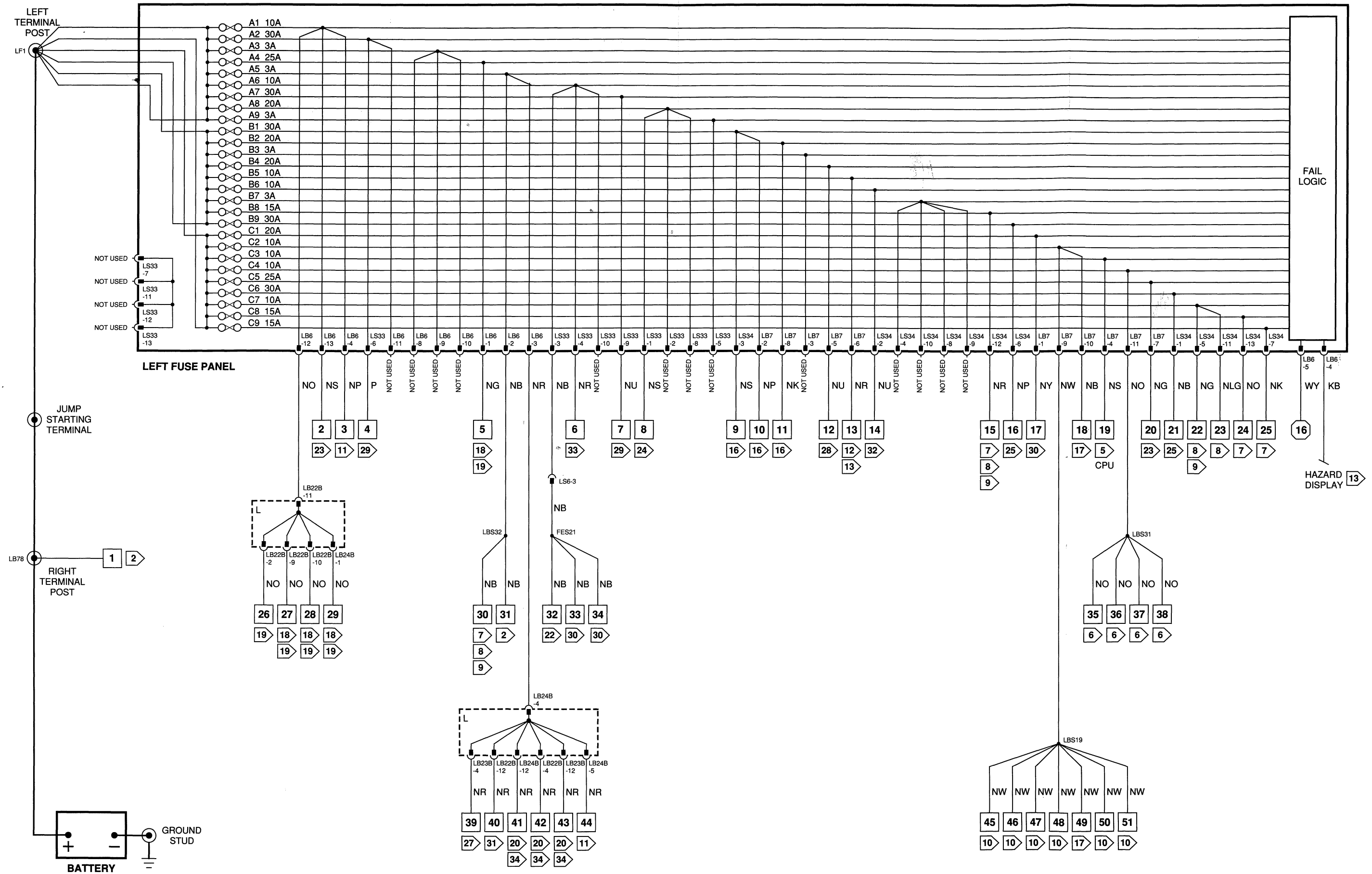


FIG 1 RIGHT DATA

COMPONENTS

DESCRIPTION

BATTERY
FUSE PANEL — RIGHT

LOCATION

TRUNK, RIGHT
RIGHT 'A' POST

ACCESS

BATTERY TRIM COVER
FUSE BOX TRIM COVER

CONNECTORS

CODE

LB77
LB89
RF1
RS28
RS90

DESCRIPTION

13-WAY AMP MK4 (BROWN)
13-WAY AMP MK4 (WHITE)
WHITE EYELET
13-WAY AMP MK4 (BLACK)
13-WAY AMP MK4 (SLATE)

LOCATION / INTERFACE

RIGHT 'A' POST / RIGHT FUSE PANEL
RIGHT 'A' POST / RIGHT FUSE PANEL
RIGHT 'A' POST BEHIND FUSE PANEL / BATTERY TERMINAL COVER
RIGHT 'A' POST / RIGHT FUSE PANEL
RIGHT 'A' POST / RIGHT FUEL PANEL

FIG 2 DATA

COMPONENTS

DESCRIPTION

DIODE — LBD2
DIODE — RSD1
FUSE PANEL — CENTER
RELAY MODULE H
(H1 — AUXILIARY POWER RELAY)
RELAY — IGNITION ON (LB4)
TRANSIT ISOLATION DEVICE

LOCATION

EXPOSED IN BULK. HARNESS, CENTER CONSOLE AREA
EXPOSED IN RIGHT SIDE FRONT HARNESS
CENTER CONSOLE
RIGHT DASH UNDER PANEL

ACCESS

BELOW RADIO
BEHIND RIGHT HEADLIGHT
INSIDE GLOVE BOX
RIGHT DASH UNDER PANEL

BEHIND RADIO
BATTERY

REMOVE RADIO
BATTERY COVER

CONNECTORS

CODE

LB4 RELAY BASE (BLACK)
LB10 20-WAY MULTILOCK 40 (BLACK)
LB46 13-WAY AMP MK4 (BLACK)
LB47 13-WAY AMP MK4 (WHITE)
LB48 13-WAY AMP MK4 (BROWN)
LB49 13-WAY AMP MK4 (SLATE)
LB50 20-WAY MULTILOCK 40 (BLACK)
LB52 12-WAY MULTILOCK 70 (BLACK)
LB53 12-WAY MULTILOCK 70 (WHITE)
LB69 20-WAY AMP PCB POWER (YELLOW)
LB79A 12-WAY MULTILOCK 40 (BLACK)
LB79B 16-WAY MULTILOCK 40 (BLACK)
LB80A 12-WAY MULTILOCK 40 (GREEN)
LB86 4-WAY ECONOSEAL III HC (BLACK)
LB88 20-WAY MULTILOCK 40 (BLACK)

LOCATION / INTERFACE

BEHIND RADIO ON RIGHT BRACKET / IGNITION ON RELAY
REAR FACE OF LEFT BLOWER, UNDER FASCIA / BULKHEAD TO LF HARNESS
CENTER CONSOLE, BELOW FUSE PANEL / CENTER FUSE PANEL
CENTER CONSOLE, BELOW FUSE PANEL / CENTER FUSE PANEL
CENTER CONSOLE, BELOW FUSE PANEL / CENTER FUSE PANEL
CENTER CONSOLE, BELOW FUSE PANEL / CENTER FUSE PANEL
BENEATH LEFT REAR SEAT BOX SECTION / REAR HARNESS
BENEATH RIGHT REAR SEAT BOX SECTION / REAR HARNESS
BENEATH RIGHT REAR SEAT BOX SECTION / BULKHEAD TO REAR HARNESS
RELAY MOUNTING BRACKET BELOW GLOVE BOX / RELAY MODULE H
RIGHT BLOWER MOTOR, ABOVE VACUUM VALVE / RIGHT SPLICE BOX
RIGHT BLOWER MOTOR, ABOVE VACUUM VALVE / RIGHT SPLICE BOX
RIGHT BLOWER MOTOR, ABOVE VACUUM VALVE / RIGHT SPLICE BOX
RIGHT DASH UNDER PANEL / BULKHEAD HARNESS
REAR FACE OF RIGHT BLOWER, UNDER FASCIA / BULKHEAD TO RF HARNESS

FIG 3 DATA

COMPONENTS

DESCRIPTION

COLUMN SWITCH GEAR
(IGNITION SWITCH)
INERTIA SWITCH

LOCATION

STEERING COLUMN
STEERING COLUMN COWL, RIGHT
DRIVER'S FOOTWELL

ACCESS

LEFT DASH UNDER PANEL
STEERING COLUMN LOWER COWL
ABOVE DEAD PEDAL

CONNECTORS

CODE

LB8
LB22B
LB23B
LB24B
LB35
LB79B
LB80B
LB81B
LS1
SC8

DESCRIPTION

3-WAY LABINAL (SLATE)
16-WAY MULTILOCK 40 (BLACK)
16-WAY MULTILOCK 40 (BLUE)
16-WAY MULTILOCK 40 (GREEN)
12-WAY MULTILOCK 40 (BLACK)
16-WAY MULTILOCK 40 (BLACK)
16-WAY MULTILOCK 40 (GREEN)
16-WAY MULTILOCK 40 (BLUE)
SUMITOMO A (WHITE)
6-WAY PMHD (PURPLE)

LOCATION / INTERFACE

LOW ON LEFT 'A' POST / INERTIA SWITCH
LEFT BLOWER MOTOR HOUSING BRACKET / LEFT SPLICE BOX
LEFT BLOWER MOTOR HOUSING BRACKET / LEFT SPLICE BOX
LEFT BLOWER MOTOR HOUSING BRACKET / LEFT SPLICE BOX
LOWER RIGHT OF STEERING COLUMN / STEERING COLUMN SWITCH GEAR
RIGHT BLOWER MOTOR, ABOVE VACUUM VALVE / RIGHT SPLICE BOX
RIGHT BLOWER MOTOR, ABOVE VACUUM VALVE / RIGHT SPLICE BOX
RIGHT BLOWER MOTOR, ABOVE VACUUM VALVE / RIGHT SPLICE BOX
ABOVE LEFT HEADLIGHT INSIDE HOOD / LEFT HOOD HARNESS
STEERING COLUMN SWITCH GEAR, RIGHT / KEY IN SWITCH

GROUNDS

CODE

LBG39A

DESCRIPTION

WHITE EYELET

LOCATION / INTERFACE

CENTER CONSOLE GROUND STUD BEHIND 'J' GATE / GROUND

FIG 3 DATA

COMPONENTS

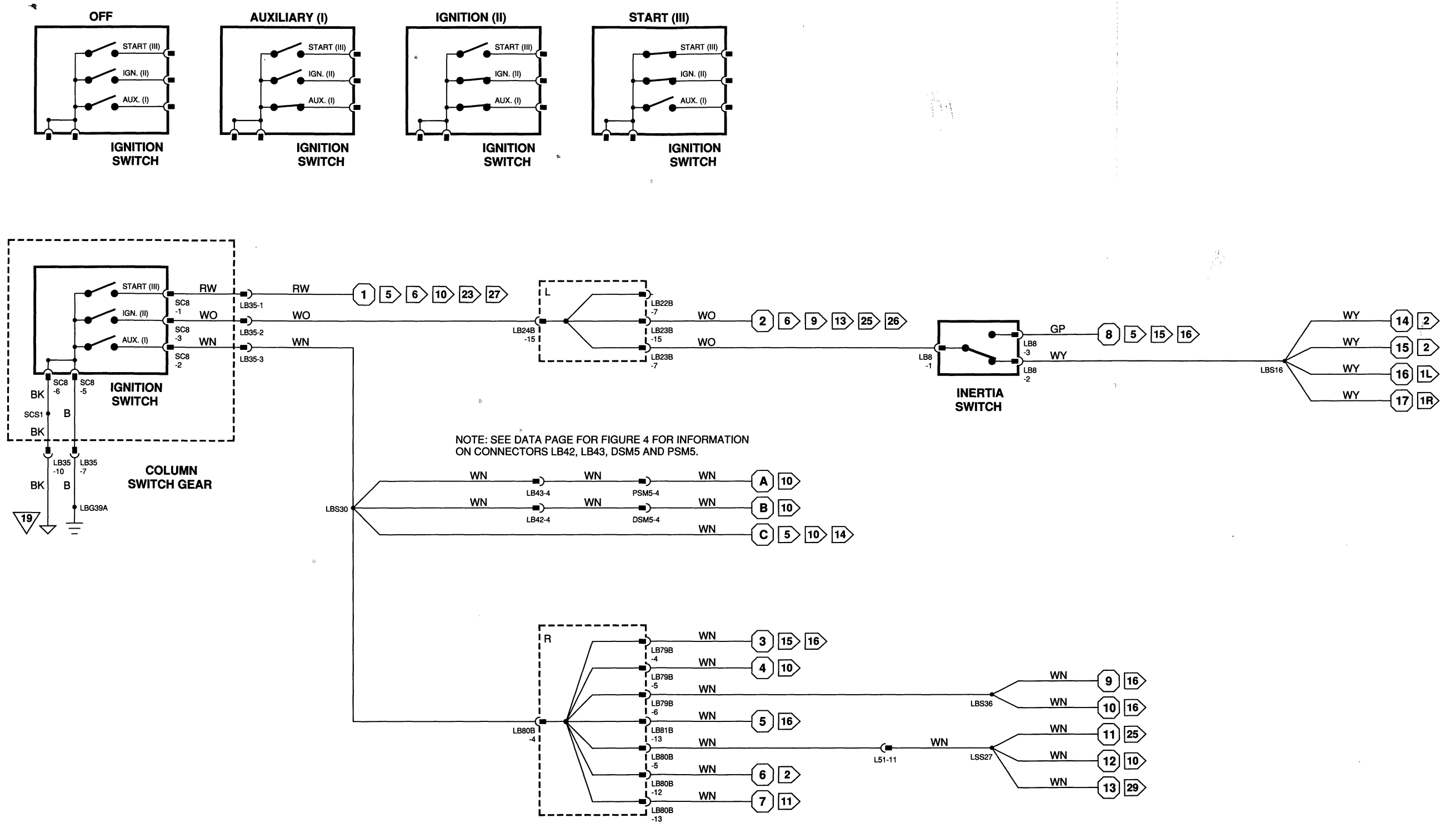
DESCRIPTION	LOCATION	ACCESS
COLUMN SWITCH GEAR (IGNITION SWITCH)	STEERING COLUMN	LEFT DASH UNDER PANEL
INERTIA SWITCH	STEERING COLUMN COWL, RIGHT DRIVER'S FOOTWELL	STEERING COLUMN LOWER COWL ABOVE DEAD PEDAL

CONNECTORS

CODE	DESCRIPTION	LOCATION / INTERFACE
LB8	3-WAY LABINAL (SLATE)	LOW ON LEFT 'A' POST / INERTIA SWITCH
LB22B	16-WAY MULTILOCK 40 (BLACK)	LEFT BLOWER MOTOR HOUSING BRACKET / LEFT SPLICE BOX
LB23B	16-WAY MULTILOCK 40 (BLUE)	LEFT BLOWER MOTOR HOUSING BRACKET / LEFT SPLICE BOX
LB24B	16-WAY MULTILOCK 40 (GREEN)	LEFT BLOWER MOTOR HOUSING BRACKET / LEFT SPLICE BOX
LB35	12-WAY MULTILOCK 40 (BLACK)	LOWER RIGHT OF STEERING COLUMN / STEERING COLUMN SWITCH GEAR
LB79B	16-WAY MULTILOCK 40 (BLACK)	RIGHT BLOWER MOTOR, ABOVE VACUUM VALVE / RIGHT SPLICE BOX
LB80B	16-WAY MULTILOCK 40 (GREEN)	RIGHT BLOWER MOTOR, ABOVE VACUUM VALVE / RIGHT SPLICE BOX
LB81B	16-WAY MULTILOCK 40 (BLUE)	RIGHT BLOWER MOTOR, ABOVE VACUUM VALVE / RIGHT SPLICE BOX
LS1	SUMITOMO A (WHITE)	ABOVE LEFT HEADLIGHT INSIDE HOOD / LEFT HOOD HARNESS
SC8	6-WAY PMHD (PURPLE)	STEERING COLUMN SWITCH GEAR, RIGHT / KEY IN SWITCH

GROUND

CODE	DESCRIPTION	LOCATION / INTERFACE
LBG39A	WHITE EYELET	CENTER CONSOLE GROUND STUD BEHIND 'J' GATE / GROUND



□ BATTERY POWER (FIGS 1/L, 1/R)
 ◇ IGNITION POWER (FIG 2)
 ○ IGNITION SWITCHED GROUND (FIG 3)
 ▽ LOGIC GROUND (FIG 4)
 ● CPU INPUTS / OUTPUTS (FIG 5)
 ◁ ▷ FIG NUMBER REFERENCE

NOTE: A B C VIN 673810 ON

FIG 4 DATA

COMPONENTS

DESCRIPTION	LOCATION	ACCESS
BATTERY	TRUNK, RIGHT	BATTERY TRIM COVER

CONNECTORS

CODE	DESCRIPTION	LOCATION / INTERFACE
DSM5	18-WAY MULTILOCK 70 (WHITE)	BENEATH DRIVER'S SEAT CUSHION / DRIVER'S SEAT HARNESS
LB9	12-WAY MULTILOCK 70 (WHITE)	LEFT 'A' POST, ABOVE FUSE PANEL / BULKHEAD HARNESS
LB14	20-WAY MULTILOCK 40 (GREEN)	LEFT 'A' POST BOX SECTION / BULKHEAD HARNESS
LB42	10-WAY MULTILOCK 70 (WHITE)	FRONT OF DRIVER'S SEAT BY SEAT AND MIRRORS ECU / BULKHEAD TO SEAT HARNESS
LB43	10-WAY MULTILOCK 70 (WHITE)	FRONT OF PASSENGER'S SEAT BY SEAT CONTROL UNIT / BULKHEAD TO SEAT HARNESS
LB45	6-WAY MULTILOCK 70 (WHITE)	CENTER CONSOLE, BELOW ASHTRAY / SECURITY SYSTEM VALET SWITCH
LB51	12-WAY MULTILOCK 70 (WHITE)	BENEATH LEFT REAR SEAT BOX SECTION / REAR HARNESS
LB82	20-WAY MULTILOCK 40 (BLACK)	RIGHT 'A' POST BOX SECTION / BULKHEAD HARNESS
LB85	20-WAY MULTILOCK 70 (WHITE)	RIGHT DASH UNDER PANEL BY 'A' POST / BULKHEAD HARNESS
LB98	12-WAY MULTILOCK 40 (BLUE)	ADJACENT TO A/C ECU, RIGHT / BULKHEAD HARNESS
LRD9	12-WAY MULTILOCK 40 (BLACK)	LEFT 'B/C' POST / LEFT SIDE HARNESS
LS11A	WHITE EYELET	TRUNK, RIGHT, BEHIND BATTERY / BATTERY GROUND STUD
LS11B	WHITE EYELET	TRUNK, RIGHT, BEHIND BATTERY / LOGIC GROUND EYELET
PSM5	18-WAY MULTILOCK 70 (WHITE)	BENEATH PASSENGER'S SEAT CUSHION / PASSENGER'S SEAT HARNESS
RRD9	12-WAY MULTILOCK 40 (BLACK)	RIGHT 'B/C' POST / RIGHT SIDE HARNESS
RS11	WHITE EYELET	TRUNK, RIGHT, BEHIND BATTERY / LOGIC GROUND EYELET

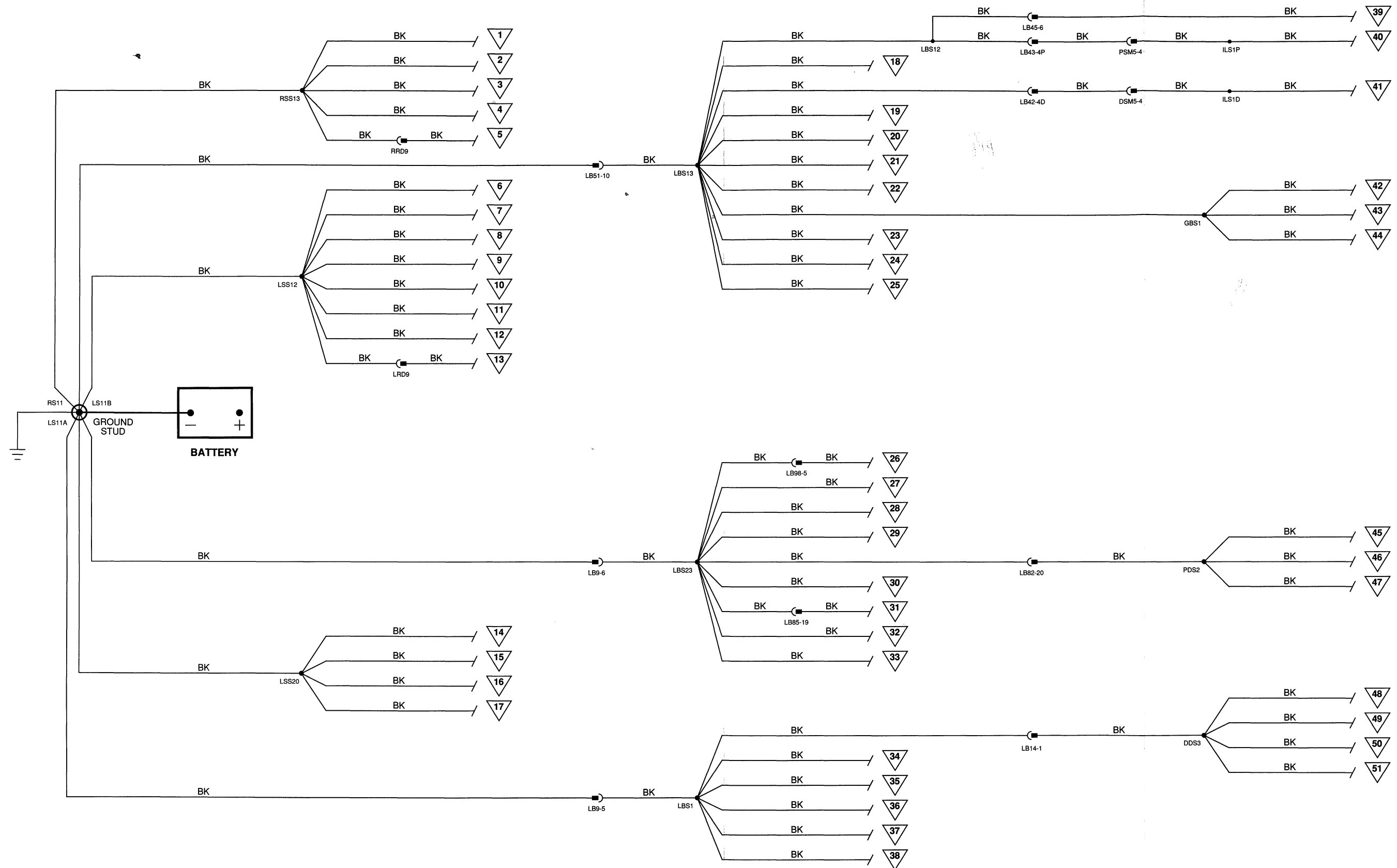


FIG 5 DATA

INPUTS / OUTPUTS (CONTINUED)

CENTRAL MICROPROCESSOR

OUTPUTS (CONTINUED)

CODE	CIRCUIT	ACTIVE	INACTIVE
32 LB60-16	REAR WINDOW HEATER	WINDOW HEATER ON: GROUND	HEATER OFF: 12V
33 LB60-21	WINDSHIELD HEATER	WINDSHIELD HEATER ON: GROUND	HEATER OFF: 12V
34 LB60-9	WINDSHIELD HEATER — STATE (ON/OFF)	STATE LIGHT ON: GROUND	LIGHT OFF: 12V
35 LB60-14	HEATED REAR WINDOW — STATE (ON/OFF)	STATE LIGHT ON: GROUND	LIGHT OFF: 12V
36 LB60-47	STARTER RELAY	KEY TO POSITION III: GROUND	POSITION II: 12V
37 LB60-27	CLIMATE CONTROL MEMORY	5V	5V
LB59-3	SERIAL COMMUNICATIONS DATA LINK	JDS	—
LB59-5	POWER GROUND	GROUND	GROUND
LB59-6	LOGIC GROUND	GROUND	GROUND
LB59-1	LOGIC GROUND	GROUND	GROUND

COMPONENTS

DESCRIPTION	LOCATION	ACCESS
CENTRAL MICROPROCESSOR	BEHIND GLOVE BOX	RIGHT DASH UNDER PANEL

CONNECTORS

CODE	DESCRIPTION	LOCATION / INTERFACE
LB59	6-WAY AMP PCB POWER (BLACK)	BEHIND GLOVE BOX ON CPU / CENTRAL MICROPROCESSOR
LB60	48-WAY AMP PCB SIGNAL (YELLOW)	BEHIND GLOVE BOX ON CPU / CENTRAL MICROPROCESSOR
LB61	48-WAY AMP PCB SIGNAL (BLACK)	BEHIND GLOVE BOX ON CPU / CENTRAL MICROPROCESSOR

GROUND

CODE	DESCRIPTION	LOCATION / INTERFACE
LBG39C	WHITE EYELET	CENTER CONSOLE GROUND STUD BEHIND 'J' GATE / GROUND

INPUTS / OUTPUTS

CENTRAL MICROPROCESSOR

INPUTS

CODE	CIRCUIT	ACTIVE	INACTIVE
1 LB61-27	PASSENGER'S DOOR SWITCH	DOOR OPEN: GROUND	DOOR CLOSED: 5V
2 LB61-20	DRIVER'S DOOR SWITCH	DOOR OPEN: GROUND	DOOR CLOSED: 5V
3 LB61-18	DRIVER'S SEAT BELT SWITCH	BELT UNLATCHED: 129 mV	BELT LATCHED: 157 mV
4 LB61-4	INTERIOR LIGHT SWITCH PAD #2	LIGHTS ON: GROUND	LIGHTS OFF: OPEN CIRCUIT
5 LB61-44	IGNITION KEY IN SWITCH	KEY IN: GROUND	KEY OUT: OPEN CIRCUIT
6 LB61-17	TRIP COMPUTER KEYBOARD ILLUMINATION	SWITCH HELD IN: GROUND	SWITCH RELEASED: OPEN CIRCUIT
7 LB60-26	DOOR KEY BARREL SWITCHES	KEY TO LOCK POSITION: GROUND	KEY OUT: OPEN CIRCUIT
8 LB61-2	DOOR LOCK STATE	DOORS UNLOCKED: GROUND	DOORS UNLOCKED: OPEN CIRCUIT
9 LB60-1	DOOR UNLOCK STATE	DOORS UNLOCKED: GROUND	DOORS LOCKED: OPEN CIRCUIT
10 LB61-6	INERTIA SWITCH (KEY ON)	SWITCH UP: GROUND	SWITCH DOWN: OPEN CIRCUIT
11 LB61-11	PANIC (ALL LOCK/CLOSED SWITCH)(KEY ON)	SWITCH PRESSED: GROUND	SWITCH RELEASED: OPEN CIRCUIT
12 LB61-8	NOT USED		
13 LB61-13	TRUNK RELEASE SWITCH	SWITCH PRESSED: GROUND	SWITCH RELEASED: OPEN CIRCUIT
14 LB61-16	RADIO ON INPUT (KEY ON)	RADIO ON: 12V	RADIO OFF: 0V
15 LB61-24	BRAKE SWITCH (KEY ON)	BRAKE PEDAL PRESSED: GROUND	PEDAL RELEASED: 12V
16 LB61-39	IGNITION SWITCHED POWER	KEY ON: 12V	KEY OFF: OPEN CIRCUIT
17 LB61-15	DRIVER'S SEAT HEATER SWITCH	SWITCH PRESSED: GROUND	SWITCH RELEASED: OPEN CIRCUIT
18 LB61-43	PASSENGER'S SEAT HEATER SWITCH	SWITCH PRESSED: GROUND	SWITCH RELEASED: OPEN CIRCUIT
19 LB61-40	SEAT BELT WARNING	SEAT BELT UNLATCHED: GROUND	BELT LATCHED: OPEN CIRCUIT
20 LB61-34	SEAT MEMORY AUDIBLE TONE	MEMORY POS. 1 OR 2: GROUNDS TO TONE	MEMORY POS. 3: OPEN CIRCUIT
21 LB61-33	LEFT TURN SIGNAL SWITCH	RIGHT TURN: GROUND	TURN STALK CENTERED: OPEN CIRCUIT
22 LB61-35	RIGHT TURN SIGNAL SWITCH	LEFT TURN: GROUND	TURN STALK CENTERED: OPEN CIRCUIT
23 LB61-22	HAZARD SWITCH	HAZARDS ON: GROUND	HAZARDS OFF: OPEN CIRCUIT
24 LB61-21	LEFT TURN SIGNAL FAILURE	FAILED BULB: GROUND	BULBS O.K.: 4.0V
25 LB61-48	RIGHT TURN SIGNAL FAILURE	FAILED BULB: GROUND	BULBS O.K.: 4.0V
26 LB61-23	RIGHT TURN SIGNAL DISCONNECT	DISCONNECTED MODULE: OPEN CIRCUIT	CONNECTED MODULE: GROUND SENSED
27 LB61-32	SECURITY SYSTEM TURN SIGNAL FLASH	DISCONNECTED MODULE: OPEN CIRCUIT	CONNECTED MODULE: GROUND SENSED
28 LB61-42	CLOCK ILLUMINATION SWITCH	PULSED SIGNAL TO FLASH	5V
29 LB60-5	ROAD SPEED INPUT	SWITCH PRESSED: GROUND	SWITCH RELEASED: OPEN CIRCUIT
30 LB61-37	SLOW FLICK WIPER SWITCH	0 MPH: 5 mV AC	10 MPH: 2.2V AC
31 LB61-10	INTERMITTENT WIPER SWITCH	WIPERS OFF: GROUND	WIPERS OFF: OPEN CIRCUIT
32 LB61-12	WIPER PARK SWITCH	INTERMITTENT: GROUND	WIPERS OFF: OPEN CIRCUIT
33 LB61-28	LOW WASHER FLUID	WIPER NOT PARKED: GROUND	WIPER PARKED: OPEN CIRCUIT
34 LB61-9	WASH / WIPE SWITCH	LEVEL NORMAL: GROUND	LEVEL LOW: 12V
35 LB61-41	HEATED REAR WINDOW MOMENTARY SWITCH	BUTTON PRESSED: GROUND	BUTTON RELEASED: OPEN CIRCUIT
36 LB61-3	CLIMATE CONTROL DEFROST	LIGHTS ON: GROUND	LIGHTS OFF: OPEN CIRCUIT
37 LB61-36	FRONT WINDSHIELD HEATER SWITCH	SWITCH PRESSED: GROUND	SWITCH RELEASED: OPEN CIRCUIT
38 LB61-1	ENGINE START INPUT	DEFROST PRESSED: GROUND	DEFROST RELEASED: OPEN CIRCUIT
39 LB61-19	GEAR SELECTOR — PARK	SWITCH PRESSED: GROUND	SWITCH RELEASED: OPEN CIRCUIT
40 LB61-30	TRANSMISSION — PARK / NEUTRAL	IGNITION CRANK POSITION: GROUND	KEY OUT: OPEN CIRCUIT
41 LB61-14	SECURITY VALET SWITCH	R, N, D, 3, 2: GROUND	PARK: OPEN CIRCUIT
LB59-2	REMOTE LOCK / UNLOCK	P, N: GROUND	R, D, 3, 2: 5V
LB59-4	SERIAL COMMUNICATIONS DATA LINK OUTPUT	SWITCH TO OFF: GROUND	SWITCH TO ON: OPEN CIRCUIT
	BATTERY POWER	TO UNLOCK: PULSE TO GROUND	5V
		JDS	—
		12V	12V

OUTPUTS

CODE	CIRCUIT	ACTIVE	INACTIVE
1 LB60-20	SEAT BACK LIGHTS	LIGHTS ON: GROUND	LIGHTS OFF: 12V
2 LB60-11	DOOR GUARD PUDDLE LIGHTS	LIGHTS ON: GROUND	LIGHTS OFF: 12V
3 LB60-15	INTERIOR LIGHTING	LIGHTS ON: GROUND	LIGHTS OFF: 12V
4 LB60-28	TRIP COMPUTER KEYBOARD ILLUMINATION	LIGHTS ON: GROUND	LIGHTS OFF: 12V
5 LB60-17	DOOR LOCK OUTPUT	TO LOCK: PULSE TO GROUND	12V
6 LB60-18	DOOR UNLOCK OUTPUT	TO UNLOCK: PULSE TO GROUND	12V
7 LB60-12	DRIVER'S WINDOW UP (KEY ON)	CLOSE: GROUND	12V
8 LB60-19	PASSENGER'S WINDOW UP (KEY ON)	CLOSE: GROUND	12V
9 LB60-23	REAR WINDOWS UP (KEY ON)	CLOSE: GROUND	12V
10 LB60-8	SUN ROOF CLOSE (KEY ON)	CLOSE: GROUND	12V
11 LB60-13	TRUNK RELEASE	SWITCH PRESSED: GROUND	SWITCH RELEASED: 12V
12 LB60-48	ANTENNA DOWN	ANTENNA DOWN: GROUND	ANTENNA UP: 12V
13 LB60-22	ANTENNA UP	ANTENNA UP: GROUND	ANTENNA DOWN: 12V
14 LB60-34	GEAR SHIFT INTERLOCK SOLENOID (KEY ON)	BRAKE APPLIED: GROUND	BRAKE RELEASED: 12V
15 LB60-30	KEY LOCK SOLENOID (KEY ON)	R, N, D, 3, 2: GROUND	PARK, KEY REMOVED: 12V
16 LB60-41	PASSENGER'S SEAT HEATER DRIVE (KEY ON)	HEATER ON: GROUND	HEATER OFF: 12V
17 LB60-44	DRIVER'S SEAT HEATER DRIVE (KEY ON)	HEATER ON: GROUND	HEATER OFF: 12V
18 LB60-37	SEAT BELT WARNING INDICATOR (KEY ON)	5-SEC WARNING LIGHT ON: GROUND	WARNING LIGHT OFF: 12V
19 LB60-3	AUDIBLE WARNINGS (KEY ON)	PULSES TO GROUND	TURN SIGNALS ON: EXAMPLE .012 - .021V
20 LB60-4	AUDIBLE WARNINGS (KEY ON)	PULSES TO GROUND	TURN SIGNALS ON: EXAMPLE .012 - .021V
21 LB60-31	LEFT TURN SIGNAL	LEFT TURN: PULSE TO GROUND	STALK CENTERED: 12V
22 LB60-33	RIGHT TURN SIGNAL	RIGHT TURN: PULSE TO GROUND	STALK CENTERED: 12V
23 LB60-39	LEFT TURN SIGNAL INDICATOR	LEFT TURN: PULSE TO GROUND	STALK CENTERED: 12V
24 LB60-43	RIGHT TURN SIGNAL INDICATOR	RIGHT TURN: PULSE TO GROUND	STALK CENTERED: 12V
25 LB60-46	HAZARD INDICATOR	HAZARD SWITCH ON: PULSE TO GROUND	SWITCH OFF: 12V
26 LB60-40	TURN SIGNAL BULB FAIL INDICATOR	BULB FAIL: 12V	BULBS O.K.: GROUND
27 LB60-29	CLOCK ILLUMINATION POWER	12V	12V
28 LB60-45	WIPER MOTOR	WIPER SWEEPING: GROUND	WIPER PARKED: 12V
29 LB60-38	WINDSHIELD WASHER MOTOR	PUMP ON: GROUND	PUMP OFF: 12V
30 LB60-36	HEADLIGHT WASHER MOTOR	PUMP ON WITH HEADLIGHTS: GROUND	PUMP OFF: 12V
31 LB60-10	DOOR MIRROR HEATERS	MIRROR HEATERS ON: GROUND	MIRROR HEATERS OFF: 12V

CONTINUED AT LEFT ON FOLDOUT

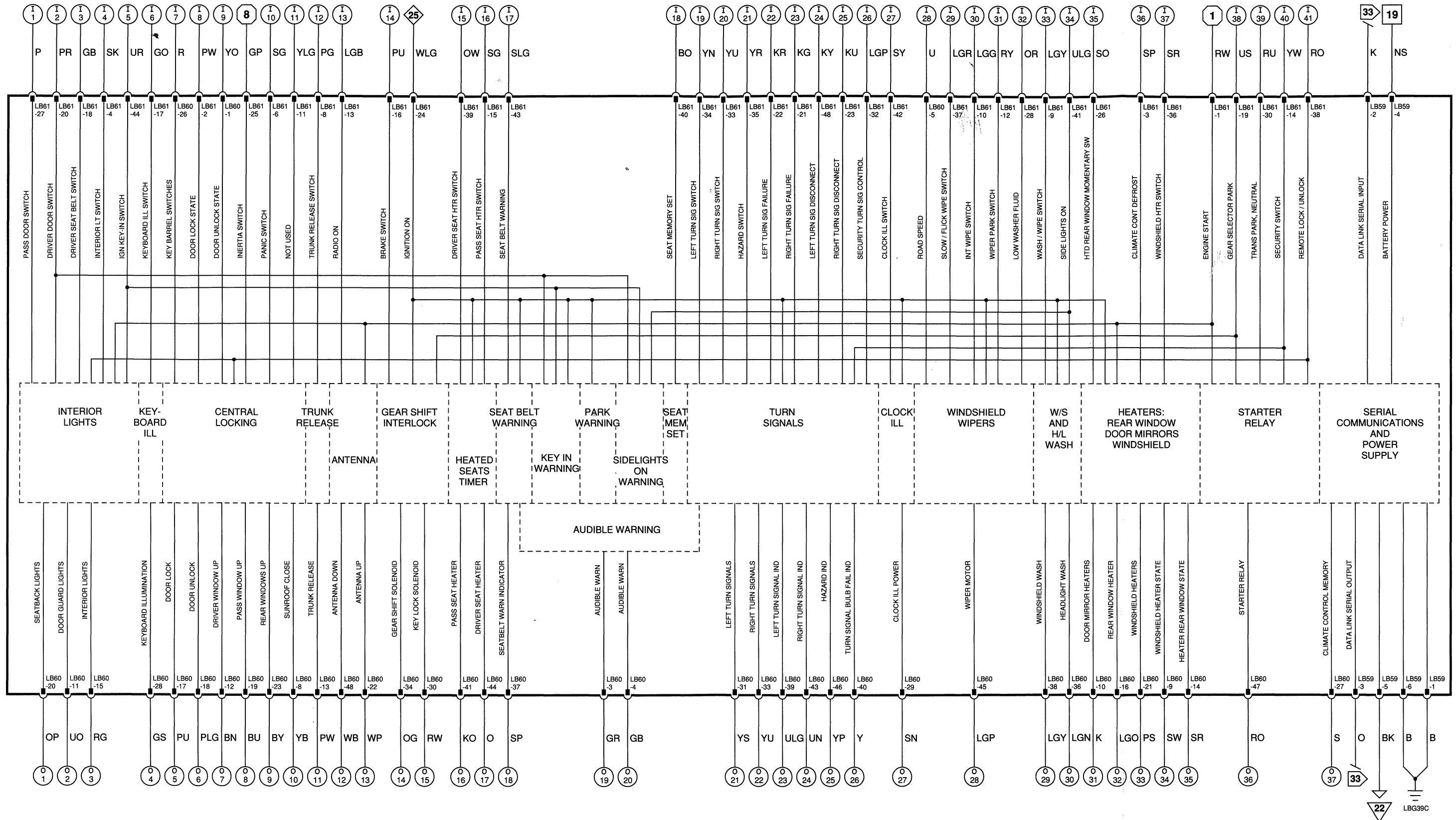


FIG 5 DATA

INPUTS / OUTPUTS (CONTINUED)

CENTRAL MICROPROCESSOR

OUTPUTS (CONTINUED)

CODE	CIRCUIT
32 LB60-16	REAR WINDOW HEATER
33 LB60-21	WINDSHIELD HEATER
34 LB60-9	WINDSHIELD HEATER — STATE (ON/OFF)
35 LB60-14	HEATED REAR WINDOW — STATE (ON/OFF)
36 LB60-47	STARTER RELAY
37 LB60-27	CLIMATE CONTROL MEMORY
LB59-3	SERIAL COMMUNICATIONS DATA LINK
LB59-5	POWER GROUND
LB59-6	LOGIC GROUND
LB59-1	LOGIC GROUND

ACTIVE

WINDOW HEATER ON: GROUND
WINDSHIELD HEATER ON: GROUND
STATE LIGHT ON: GROUND
STATE LIGHT ON: GROUND
KEY TO POSITION III: GROUND
5V
JDS
GROUND
GROUND
GROUND

INACTIVE

HEATER OFF: 12V
HEATER OFF: 12V
LIGHT OFF: 12V
LIGHT OFF: 12V
POSITION II: 12V
5V
—
GROUND
GROUND
GROUND

COMPONENTS

DESCRIPTION	LOCATION	ACCESS
CENTRAL MICROPROCESSOR	BEHIND GLOVE BOX	RIGHT DASH UNDER PANEL

CONNECTORS

CODE	DESCRIPTION	LOCATION / INTERFACE
LB59	6-WAY AMP PCB POWER (BLACK)	BEHIND GLOVE BOX ON CPU / CENTRAL MICROPROCESSOR
LB60	48-WAY AMP PCB SIGNAL (YELLOW)	BEHIND GLOVE BOX ON CPU / CENTRAL MICROPROCESSOR
LB61	48-WAY AMP PCB SIGNAL (BLACK)	BEHIND GLOVE BOX ON CPU / CENTRAL MICROPROCESSOR

GROUND

CODE	DESCRIPTION	LOCATION / INTERFACE
LBG39C	WHITE EYELET	CENTER CONSOLE GROUND STUD BEHIND 'J' GATE / GROUND

INPUTS / OUTPUTS

CENTRAL MICROPROCESSOR

INPUTS

CODE	CIRCUIT
1 LB61-27	PASSENGER'S DOOR SWITCH
2 LB61-20	DRIVER'S DOOR SWITCH
3 LB61-18	DRIVER'S SEAT BELT SWITCH
4 LB61-4	INTERIOR LIGHT SWITCH PAD #2
5 LB61-44	IGNITION KEY IN SWITCH
6 LB61-17	TRIP COMPUTER KEYBOARD ILLUMINATION
7 LB60-26	DOOR KEY BARREL SWITCHES
8 LB61-2	DOOR LOCK STATE
9 LB60-1	DOOR UNLOCK STATE
LB61-25	INERTIA SWITCH (KEY ON)
10 LB61-6	PANIC (ALL LOCK/CLOSED SWITCH)(KEY ON)
11 LB61-11	NOT USED
12 LB61-8	TRUNK RELEASE SWITCH
13 LB61-13	RADIO ON INPUT (KEY ON)
14 LB61-16	BRAKE SWITCH (KEY ON)
LB61-24	IGNITION SWITCHED POWER
15 LB61-39	DRIVER'S SEAT HEATER SWITCH
16 LB61-15	PASSENGER'S SEAT HEATER SWITCH
17 LB61-43	SEAT BELT WARNING
18 LB61-40	SEAT MEMORY AUDIBLE TONE
19 LB61-34	LEFT TURN SIGNAL SWITCH
20 LB61-33	RIGHT TURN SIGNAL SWITCH
21 LB61-35	HAZARD SWITCH
22 LB61-22	LEFT TURN SIGNAL FAILURE
23 LB61-21	RIGHT TURN SIGNAL FAILURE
24 LB61-48	LEFT TURN SIGNAL DISCONNECT
25 LB61-23	RIGHT TURN SIGNAL DISCONNECT
26 LB61-32	SECURITY SYSTEM TURN SIGNAL FLASH
27 LB61-42	CLOCK ILLUMINATION SWITCH
28 LB60-5	ROAD SPEED INPUT
29 LB61-37	SLOW FLICK WIPER SWITCH
30 LB61-10	INTERMITTENT WIPER SWITCH
31 LB61-12	WIPER PARK SWITCH
32 LB61-28	LOW WASHER FLUID
33 LB61-9	WASH / WIPE SWITCH
34 LB61-41	SIDE LIGHTS ON WARNING
35 LB61-26	HEATED REAR WINDOW MOMENTARY SWITCH
36 LB61-3	CLIMATE CONTROL DEFROST
37 LB61-36	FRONT WINDSHIELD HEATER SWITCH
LB61-1	ENGINE START INPUT
38 LB61-19	GEAR SELECTOR — PARK
39 LB61-30	TRANSMISSION — PARK / NEUTRAL
40 LB61-14	SECURITY VALET SWITCH
41 LB61-38	REMOTE LOCK / UNLOCK
LB59-2	SERIAL COMMUNICATIONS DATA LINK OUTPUT
LB59-4	BATTERY POWER

OUTPUTS

CODE	CIRCUIT
1 LB60-20	SEAT BACK LIGHTS
2 LB60-11	DOOR GUARD PUDDLE LIGHTS
3 LB60-15	INTERIOR LIGHTING
4 LB60-28	TRIP COMPUTER KEYBOARD ILLUMINATION
5 LB60-17	DOOR LOCK OUTPUT
6 LB60-18	DOOR UNLOCK OUTPUT
7 LB60-12	DRIVER'S WINDOW UP (KEY ON)
8 LB60-19	PASSENGER'S WINDOW UP (KEY ON)
9 LB60-23	REAR WINDOWS UP (KEY ON)
10 LB60-8	SUN ROOF CLOSE (KEY ON)
11 LB60-13	TRUNK RELEASE
12 LB60-48	ANTENNA DOWN
13 LB60-22	ANTENNA UP
14 LB60-34	GEAR SHIFT INTERLOCK SOLENOID (KEY ON)
15 LB60-30	KEY LOCK SOLENOID (KEY ON)
16 LB60-41	PASSENGER'S SEAT HEATER DRIVE (KEY ON)
17 LB60-44	DRIVER'S SEAT HEATER DRIVE (KEY ON)
18 LB60-37	SEAT BELT WARNING INDICATOR (KEY ON)
19 LB60-3	AUDIBLE WARNINGS (KEY ON)
20 LB60-4	AUDIBLE WARNINGS (KEY ON)
21 LB60-31	LEFT TURN SIGNAL
22 LB60-33	RIGHT TURN SIGNAL
23 LB60-39	LEFT TURN SIGNAL INDICATOR
24 LB60-43	RIGHT TURN SIGNAL INDICATOR
25 LB60-46	HAZARD INDICATOR
26 LB60-40	TURN SIGNAL BULB FAIL INDICATOR
27 LB60-29	CLOCK ILLUMINATION POWER
28 LB60-45	WIPER MOTOR
29 LB60-38	WINDSHIELD WASHER MOTOR
30 LB60-36	HEADLIGHT WASHER MOTOR
31 LB60-10	DOOR MIRROR HEATERS

ACTIVE

DOOR OPEN: GROUND
DOOR OPEN: GROUND
BELT UNLATCHED: 129 mV
LIGHTS ON: GROUND
KEY IN: GROUND
SWITCH HELD IN: GROUND
KEY TO LOCK POSITION: GROUND
DOORS UNLOCKED: GROUND
DOORS UNLOCKED: GROUND
DOORS LOCKED: GROUND
DOORS LOCKED: GROUND
SWITCH UP: GROUND
SWITCH PRESSED: GROUND
SWITCH PRESSED: GROUND
RADIO ON: 12V
BRAKE PEDAL PRESSED: GROUND
KEY ON: 12V
SWITCH PRESSED: GROUND
SWITCH PRESSED: GROUND
SEAT BELT UNLATCHED: GROUND
MEMORY POS. 1 OR 2: GROUNDS TO TONE
LEFT TURN: GROUND
RIGHT TURN: GROUND
HAZARDS ON: GROUND
FAILED BULB: GROUND
FAILED BULB: GROUND
DISCONNECTED MODULE: OPEN CIRCUIT
DISCONNECTED MODULE: OPEN CIRCUIT
PULSED SIGNAL TO FLASH
SWITCH PRESSED: GROUND
0 MPH: 5 mV AC
SLOW OR FLICK: GROUND
INTERMITTENT: GROUND
WIPER NOT PARKED: GROUND
LEVEL NORMAL: GROUND
BUTTON PRESSED: GROUND
LIGHTS ON: GROUND
SWITCH PRESSED: GROUND
DEFROST PRESSED: GROUND
SWITCH PRESSED: GROUND
IGNITION CRANK POSITION: GROUND
R, N, D, 3, 2: GROUND
P, N: GROUND
SWITCH TO OFF: GROUND
TO UNLOCK: PULSE TO GROUND
JDS
12V

INACTIVE

DOOR CLOSED: 5V
DOOR CLOSED: 5V
BELT LATCHED: 157 mV
LIGHTS OFF: OPEN CIRCUIT
KEY OUT: OPEN CIRCUIT
SWITCH RELEASED: OPEN CIRCUIT
KEY OUT: OPEN CIRCUIT
DOORS UNLOCKED: OPEN CIRCUIT
DOORS LOCKED: OPEN CIRCUIT
SWITCH DOWN: OPEN CIRCUIT
SWITCH RELEASED: OPEN CIRCUIT
SWITCH RELEASED: OPEN CIRCUIT
RADIO OFF: 0V
PEDAL RELEASED: 12V
KEY OFF: OPEN CIRCUIT
SWITCH RELEASED: OPEN CIRCUIT
SWITCH RELEASED: OPEN CIRCUIT
BELT LATCHED: OPEN CIRCUIT
BUTTONS RELEASED: OPEN CIRCUIT
TURN STALK CENTERED: OPEN CIRCUIT
TURN STALK CENTERED: OPEN CIRCUIT
HAZARDS OFF: OPEN CIRCUIT
BULBS O.K.: 4.0V
BULBS O.K.: 4.0V
CONNECTED MODULE: GROUND SENSED
CONNECTED MODULE: GROUND SENSED
5V
SWITCH RELEASED: OPEN CIRCUIT
10 MPH: 2.2V AC
WIPERS OFF: OPEN CIRCUIT
WIPERS OFF: OPEN CIRCUIT
WIPER PARKED: OPEN CIRCUIT
LEVEL LOW: 12V
BUTTON RELEASED: OPEN CIRCUIT
LIGHTS OFF: OPEN CIRCUIT
SWITCH RELEASED: OPEN CIRCUIT
SWITCH RELEASED: OPEN CIRCUIT
SWITCH RELEASED: OPEN CIRCUIT
KEY OUT: OPEN CIRCUIT
PARK: OPEN CIRCUIT
R, D, 3, 2: 5V
SWITCH TO ON: OPEN CIRCUIT
5V
—
12V

ACTIVE

LIGHTS ON: GROUND
LIGHTS ON: GROUND
LIGHTS ON: GROUND
LIGHTS ON: GROUND
TO LOCK: PULSE TO GROUND
TO UNLOCK: PULSE TO GROUND
CLOSE: GROUND
CLOSE: GROUND
CLOSE: GROUND
CLOSE: GROUND
CLOSE: GROUND
SWITCH PRESSED: GROUND
ANTENNA DOWN: GROUND
ANTENNA UP: GROUND
ANTENNA UP: GROUND
BRAKE APPLIED: GROUND
R, N, D, 3, 2: GROUND
HEATER ON: GROUND
HEATER ON: GROUND
HEATER OFF: 12V
5-SEC WARNING LIGHT ON: GROUND
PULSES TO GROUND
PULSES TO GROUND
LEFT TURN: PULSE TO GROUND
RIGHT TURN: PULSE TO GROUND
LEFT TURN: PULSE TO GROUND
RIGHT TURN: PULSE TO GROUND
LEFT TURN: PULSE TO GROUND
RIGHT TURN: PULSE TO GROUND
HAZARD SWITCH ON: PULSE TO GROUND
BULB FAIL: 12V
12V
WIPER SWEEPING: GROUND
PUMP ON: GROUND
PUMP ON WITH HEADLIGHTS: GROUND
MIRROR HEATERS ON: GROUND

INACTIVE

LIGHTS OFF: 12V
LIGHTS OFF: 12V
LIGHTS OFF: 12V
LIGHTS OFF: 12V
12V
12V
12V
12V
12V
12V
SWITCH RELEASED: 12V
ANTENNA UP: 12V
ANTENNA DOWN: 12V
BRAKE RELEASED: 12V
PARK, KEY REMOVED: 12V
HEATER OFF: 12V
HEATER OFF: 12V
WARNING LIGHT OFF: 12V
TURN SIGNALS ON: EXAMPLE .012 - .021V
TURN SIGNALS ON: EXAMPLE .012 - .021V
STALK CENTERED: 12V
STALK CENTERED: 12V
STALK CENTERED: 12V
STALK CENTERED: 12V
SWITCH OFF: 12V
BULBS O.K.: GROUND
12V
WIPER PARKED: 12V
PUMP OFF: 12V
PUMP OFF: 12V
MIRROR HEATERS OFF: 12V

CONTINUED AT LEFT ON FOLDOUT

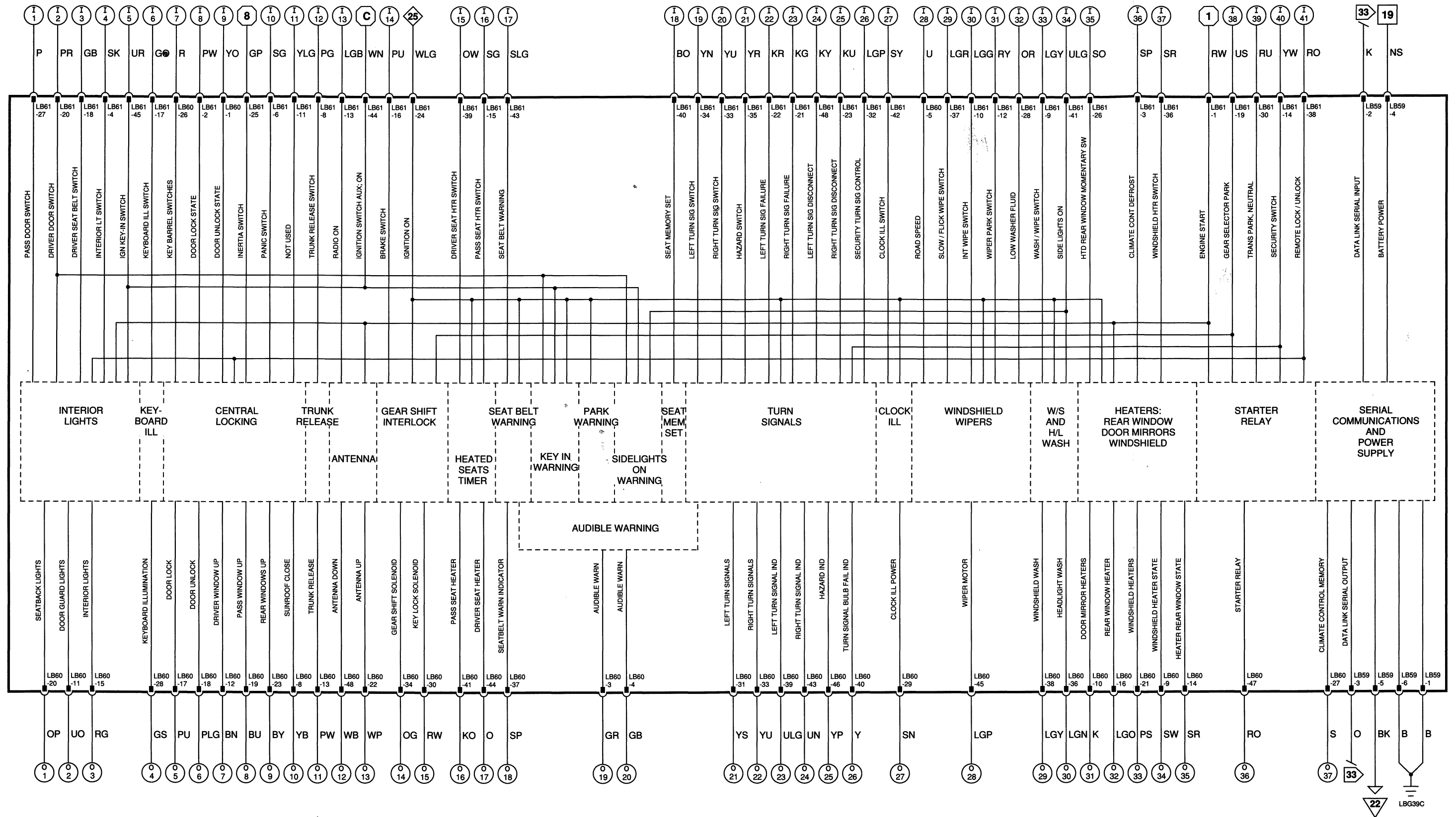


FIG 6 DATA

COMPONENTS

DESCRIPTION	LOCATION	ACCESS
BATTERY	TRUNK, RIGHT	BATTERY TRIM COVER
BRAKE SWITCH	ABOVE BRAKE PEDAL	LEFT DASH UNDER PANEL
CENTRAL MICROPROCESSOR	BEHIND GLOVE BOX	RIGHT DASH UNDER PANEL
COLUMN SWITCH GEAR (IGNITION SWITCH)	STEERING COLUMN	LEFT DASH UNDER PANEL
GEAR SHIFT SOLENOID	STEERING COLUMN COWL, RIGHT	STEERING COLUMN LOWER COWL
GENERATOR	LEFT SIDE OF 'J' GATE	CENTER CONSOLE TRIM
KEY LOCK SOLENOID	LEFT FRONT OF ENGINE	ENGINE COMPARTMENT
PARK MICRO SWITCH	ABOVE IGNITION SWITCH	STEERING COLUMN COWL
RELAY MODULE G (G4 — STARTER RELAY)	GEARSHIFT INTERLOCK MODULE	CENTER CONSOLE TRIM
RELAY MODULE M (M4 — GEAR SHIFT RELAY) (M3 — KEY LOCK RELAY)	RIGHT DASH UNDER PANEL	RIGHT DASH UNDER PANEL
STARTER	PASSENGER'S SEAT	FLOOR TRIM PANEL
SUPPRESSION MODULE	LEFT REAR OF ENGINE	ENGINE COMPARTMENT
TRANSMISSION ROTARY SWITCH	LEFT FRONT INNER FENDER	ENGINE COMPARTMENT
	TRANSMISSION, LEFT SIDE	

CONNECTORS

CODE	DESCRIPTION	LOCATION / INTERFACE
AN1	WHITE EYELET	REAR OF GENERATOR / SUPPRESSION MODULE
AN2	WHITE EYELET	REAR OF GENERATOR / SUPPRESSION MODULE
AN3	3-WAY ECONOSEAL III LC (RED)	BELOW AIR FILTER / SUPPRESSION MODULE HARNESS
FE29	2-WAY ECONOSEAL III HC (BLACK)	BY #6 INJECTOR / STARTER RELAY TO STARTER SOLENOID
FE48	4-WAY ECONOSEAL III LC (BLACK)	BELOW RF BULB FAIL MODULE / ENGINE HARNESS
FE49	3-WAY NIPPON DENSO (BLACK)	REAR OF GENERATOR / CHARGE INDICATOR TO INSTRUMENT PACK
GB7	12-WAY MULTILOCK 40 (BLACK)	LEFT OF CENTER FUSE PANEL, BELOW ASHTRAY / TRANSMISSION HARNESS
LB5	2-WAY MULTILOCK 40 (BLACK)	FRONT OF GEAR SHIFT LEVER / PARK MICRO SWITCH
LB29	4-WAY MULTILOCK 70 (WHITE)	LOWER STEERING COLUMN, ABOVE BRAKE PEDAL / BRAKE/CRUISE SWITCH
LB35	12-WAY MULTILOCK 40 (BLACK)	LOWER RIGHT OF STEERING COLUMN / STEERING COLUMN SWITCH GEAR
LB55	20-WAY MULTILOCK 40 (BLACK)	CENTER CONSOLE, FRONT OF GEAR SHIFT / BULKHEAD HARNESS
LB60	48-WAY AMP PCB SIGNAL (YELLOW)	BEHIND GLOVE BOX ON CPU / CENTRAL MICROPROCESSOR
LB61	48-WAY AMP PCB SIGNAL (BLACK)	BEHIND GLOVE BOX ON CPU / CENTRAL MICROPROCESSOR
LB70	20-WAY AMP PCB POWER (BLUE)	RELAY MOUNTING BRACKET BELOW GLOVE BOX / RELAY MODULE G
LB79A	12-WAY MULTILOCK 40 (BLACK)	RIGHT BLOWER MOTOR, ABOVE VACUUM VALVE / RIGHT SPLICE BOX
LB80A	12-WAY MULTILOCK 40 (GREEN)	RIGHT BLOWER MOTOR, ABOVE VACUUM VALVE / RIGHT SPLICE BOX
LB86	4-WAY ECONOSEAL III HC (BLACK)	RIGHT DASH UNDER PANEL / BULKHEAD HARNESS
LB87	20-WAY MULTILOCK 40 (GREEN)	REAR FACE OF RIGHT BLOWER, UNDER FASCIA / BULKHEAD TO RF HARNESS
LB101	20-WAY AMP PCB POWER (BLUE)	IN FRONT OF PASSENGER'S SEAT CONTROL UNIT / RELAY MODULE M
LB102	2-WAY MULTILOCK 70 (WHITE)	CENTER CONSOLE BY GEARSHIFT / GEAR SHIFT INTERLOCK SOLENOID
LB103	2-WAY MULTILOCK 40 (BLUE)	BELOW STEERING COLUMN / IGNITION KEY LOCK SOLENOID
SC8	6-WAY PMHD (PURPLE)	STEERING COLUMN SWITCH GEAR, RIGHT / KEY IN SWITCH
ST1	WHITE EYELET	ENGINE, LEFT / STARTER SOLENOID
ST2	WHITE EYELET	STARTER SOLENOID / STARTER BATTERY SUPPLY
ST3	WHITE EYELET	RIGHT BULKHEAD BATTERY STUD / STARTER BULKHEAD SPUR EYELET
ST4	WHITE EYELET	GENERATOR, REAR / GENERATOR TO STARTER LINK

GROUND

CODE	DESCRIPTION	LOCATION / INTERFACE
LBG39A	WHITE EYELET	CENTER CONSOLE GROUND STUD BEHIND 'J' GATE / GROUND

INPUTS / OUTPUTS

CENTRAL MICROPROCESSOR

INPUTS

CODE	CIRCUIT	ACTIVE	INACTIVE
LB61-1	ENGINE START INPUT	IGNITION CRANK POSITION: GROUND	KEY OUT: OPEN CIRCUIT
14 LB61-16	BRAKE SWITCH (KEY ON)	BRAKE PEDAL PRESSED: GROUND	PEDAL RELEASED: 12V
38 LB61-19	GEAR SELECTOR — PARK	R, N, D, 3, 2: GROUND	PARK: OPEN CIRCUIT
39 LB61-30	TRANSMISSION — PARK / NEUTRAL	P, N: GROUND	R, D, 3, 2: 5V
40 LB61-14	SECURITY VALET SWITCH	SWITCH TO OFF: GROUND	SWITCH TO ON: OPEN CIRCUIT
41 LB61-38	REMOTE LOCK / UNLOCK	TO UNLOCK: PULSE TO GROUND	5V

OUTPUTS

CODE	CIRCUIT	ACTIVE	INACTIVE
14 LB60-34	GEAR SHIFT INTERLOCK SOLENOID (KEY ON)	BRAKE APPLIED: GROUND	BRAKE RELEASED: 12V
15 LB60-30	KEY LOCK SOLENOID (KEY ON)	R, N, D, 3, 2: GROUND	PARK, KEY REMOVED: 12V
36 LB60-47	STARTER RELAY	KEY TO POSITION III: GROUND	POSITION II: 12V

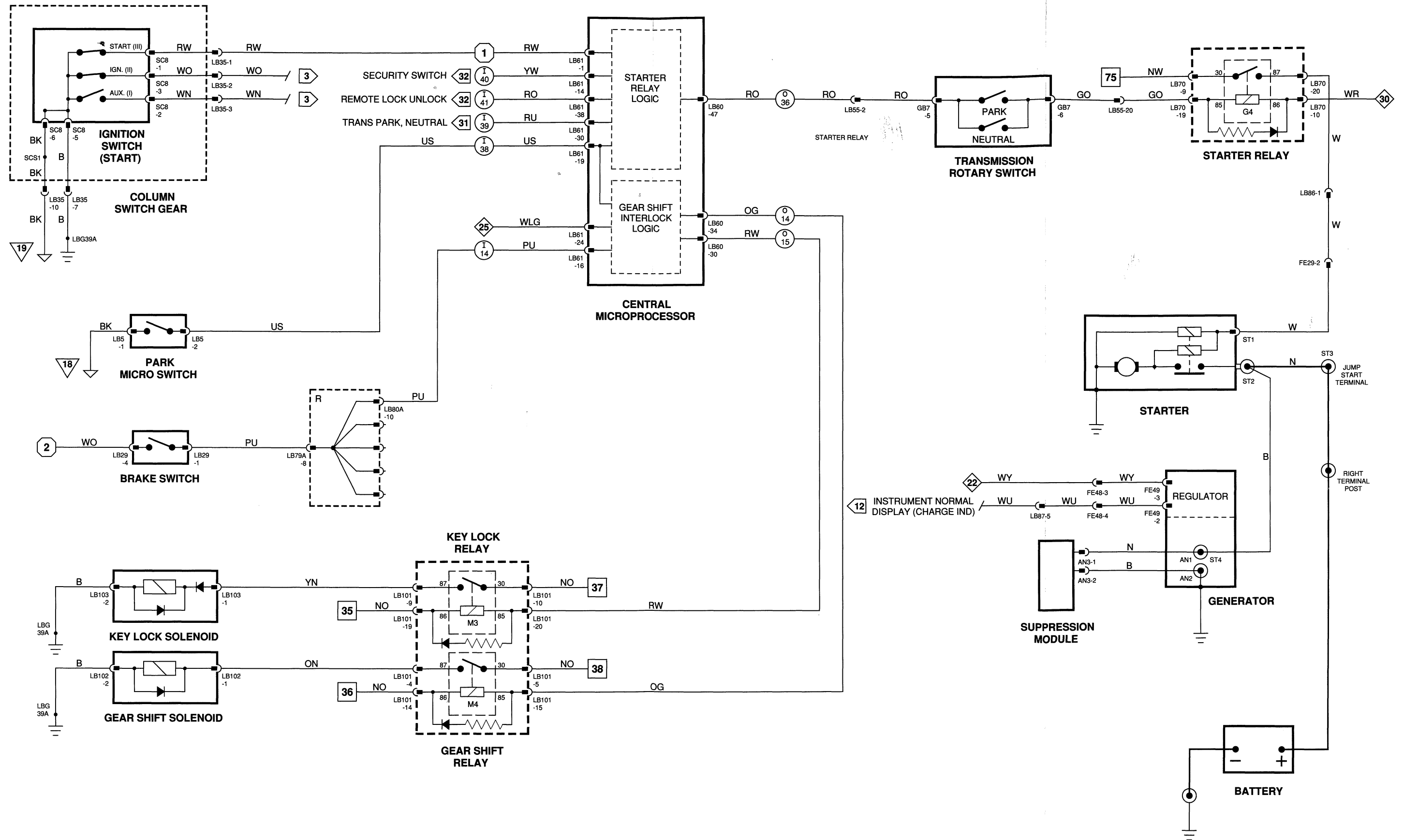


FIG 7 DATA

COMPONENTS

DESCRIPTION

COLUMN SWITCH GEAR
(HEADLIGHT FLASH SWITCH)
FASCIA SWITCH PACK
RELAY AND BULB FAILURE MODULE — LEFT REAR
RELAY AND BULB FAILURE MODULE — RIGHT FRONT
RELAY AND BULB FAILURE MODULE — RIGHT REAR
RELAY MODULE D
(D4 — RIGHT HEADLIGHT FLASH RELAY)
RELAY MODULE L
(L3 — LEFT HEADLIGHT FLASH RELAY)

LOCATION

STEERING COLUMN
TURN SIGNAL STALK "PULL"
FASCIA
BEHIND LEFT REAR BULB CLUSTER
BEHIND RIGHT HEADLIGHT
BEHIND RIGHT REAR BULB CLUSTER
BEHIND RIGHT HEADLIGHT
RIGHT REAR WHEEL ARCH

ACCESS

LEFT DASH UNDER PANEL
—
—
LEFT TRUNK TRIM
ENGINE COMPARTMENT
RIGHT TRUNK TRIM
ENGINE COMPARTMENT
RIGHT TRUNK TRIM

CONNECTORS

CODE

DESCRIPTION

LOCATION / INTERFACE

LB10	20-WAY MULTILOCK 40 (BLACK)	REAR FACE OF LEFT BLOWER, UNDER FASCIA / BULKHEAD TO LF HARNESS
LB11	20-WAY MULTILOCK 40 (BLUE)	REAR FACE OF LEFT BLOWER, UNDER FASCIA / BULKHEAD TO LF HARNESS
LB20	20-WAY MULTILOCK 40 (BLUE)	LEFT DASH UNDER PANEL, BELOW FASCIA / FASCIA SWITCH PACK
LB22B	16-WAY MULTILOCK 40 (BLACK)	LEFT BLOWER MOTOR HOUSING BRACKET / LEFT SPLICE BOX
LB23B	16-WAY MULTILOCK 40 (BLUE)	LEFT BLOWER MOTOR HOUSING BRACKET / LEFT SPLICE BOX
LB24B	16-WAY MULTILOCK 40 (GREEN)	LEFT BLOWER MOTOR HOUSING BRACKET / LEFT SPLICE BOX
LB35	12-WAY MULTILOCK 40 (BLACK)	LOWER RIGHT OF STEERING COLUMN / STEERING COLUMN SWITCH GEAR
LB48	13-WAY AMP MK4 (BROWN)	CENTER CONSOLE, BELOW FUSE PANEL / CENTER FUSE PANEL
LB50	20-WAY MULTILOCK 40 (BLACK)	BENEATH LEFT REAR SEAT BOX SECTION / REAR HARNESS
LB52	12-WAY MULTILOCK 70 (BLACK)	BENEATH RIGHT REAR SEAT BOX SECTION / REAR HARNESS
LB87	20-WAY MULTILOCK 40 (GREEN)	REAR FACE OF RIGHT BLOWER, UNDER FASCIA / BULKHEAD TO RF HARNESS
LB88	20-WAY MULTILOCK 40 (BLACK)	REAR FACE OF RIGHT BLOWER, UNDER FASCIA / BULKHEAD TO RF HARNESS
LFF1	3-WAY HEADLIGHT (WHITE)	LEFT HEADLIGHT / LOW BEAM
LFF2	2-WAY HEADLIGHT (WHITE)	LEFT HEADLIGHT / HIGH BEAM
LS23	2-WAY ECONOSEAL III LC	BEHIND LF DIRECTIONAL ASSEMBLY / LF FOG LIGHT
LS28	13-WAY ECONOSEAL III LC (WHITE)	ADJACENT TO LF BULB FAIL MODULE / LF BULB FAIL MODULE
LS36	13-WAY ECONOSEAL III LC (BLACK)	ADJACENT TO LF BULB FAIL MODULE / LF BULB FAIL MODULE
LS53	18-WAY MULTILOCK 70 (WHITE)	BEHIND LEFT TAIL LIGHT CLUSTER / LR BULB FAIL MODULE
RFF1	3-WAY HEADLIGHT (WHITE)	RIGHT HEADLIGHT / LOW BEAM
RFF2	2-WAY HEADLIGHT (WHITE)	RIGHT HEADLIGHT / HIGH BEAM
RS4	13-WAY ECONOSEAL III LC (WHITE)	ADJACENT TO RF BULB FAIL MODULE / RF BULB FAIL MODULE
RS5	13-WAY ECONOSEAL III LC (BLACK)	ADJACENT TO RF BULB FAIL MODULE / RF BULB FAIL MODULE
RS9	2-WAY ECONOSEAL III LC (BLACK)	BEHIND RF DIRECTIONAL ASSEMBLY / RF FOG LIGHT
RS21	20-WAY AMP PCB POWER (RED)	BEHIND RIGHT HEADLIGHT / RELAY MODULE D
RS42	20-WAY AMP PCB POWER (BLACK)	BEHIND AND LEFT OF ANTENNA MOTOR / RELAY MODULE L
RS60	18-WAY MULTILOCK 70 (WHITE)	BEHIND RIGHT TAIL LIGHT CLUSTER / RR BULB FAIL MODULE
SC3	6-WAY PMHD (BLUE)	STEERING COLUMN SWITCH GEAR, LEFT / TURN SIGNAL SWITCH

GROUND

CODE

DESCRIPTION

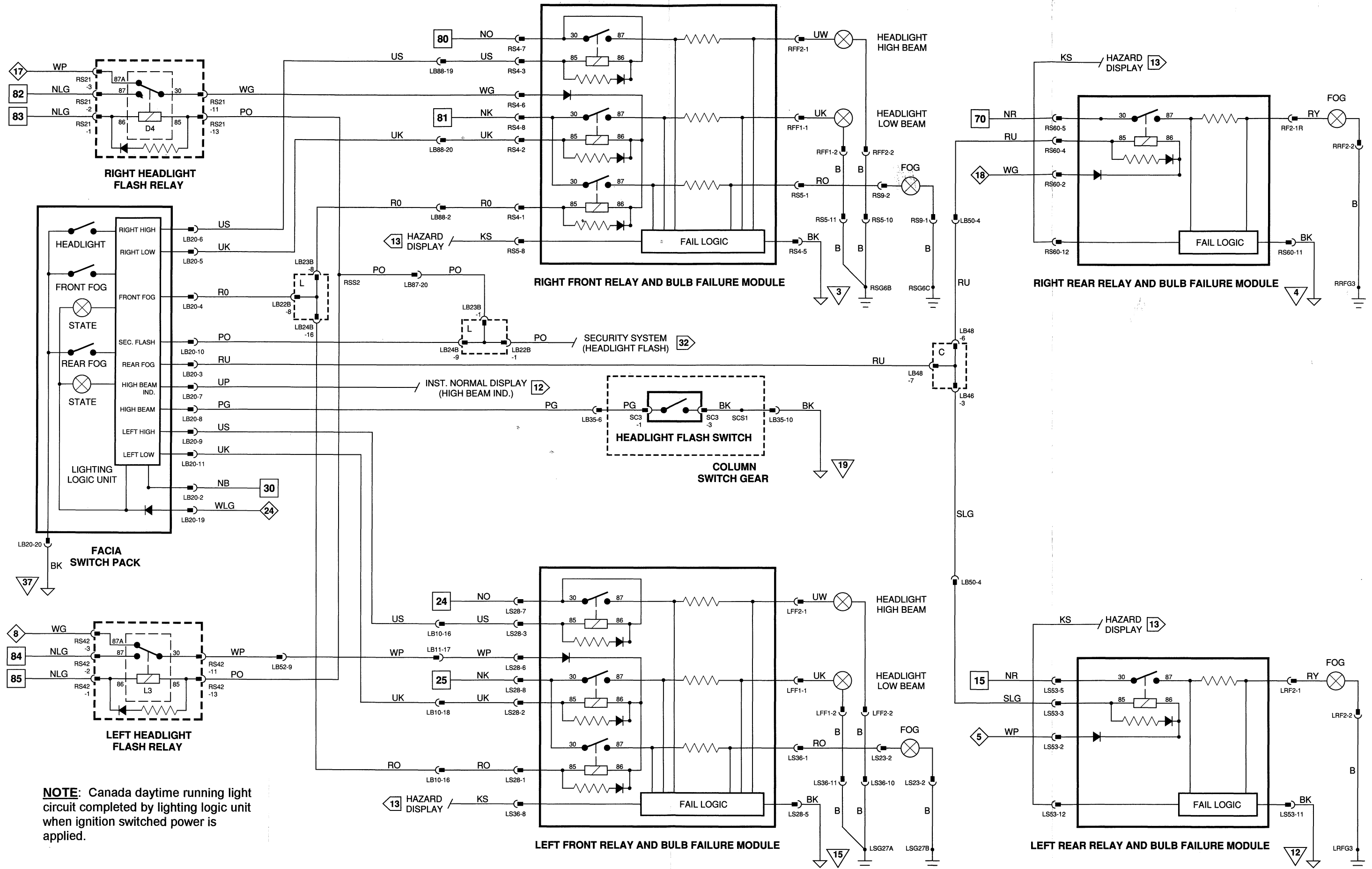
LOCATION / INTERFACE

LSG27A	WHITE EYELET	ENGINE COMPARTMENT, LF, ADJACENT TO CRUISE CONTROL PUMP / GROUND
LSG27B	WHITE EYELET	ENGINE COMPARTMENT, LF, ADJACENT TO CRUISE CONTROL PUMP / GROUND
RFG3L	WHITE EYELET	TRUNK, LEFT, BELOW BULB FAIL MODULE / GROUND
RFG3R	WHITE EYELET	TRUNK, RIGHT, BELOW BULB FAIL MODULE / GROUND
RSG6B	WHITE EYELET	ENGINE COMPARTMENT, RF, ADJACENT TO WASHER RESERVOIR / GROUND
RSG6C	WHITE EYELET	ENGINE COMPARTMENT, RF, ADJACENT TO WASHER RESERVOIR / GROUND

INPUTS / OUTPUTS

FASCIA SWITCH PACK

CODE	IN / OUT	CIRCUIT	ACTIVE	INACTIVE
LB20-2	INPUT	BATTERY POWER	12V	12V
LB20-3	OUTPUT	REAR FOG LIGHTS	LIGHTS ON: GROUND	LIGHTS OFF: 12V
LB20-4	OUTPUT	FRONT FOG LIGHTS	LIGHTS ON: GROUND	LIGHTS OFF: 12V
LB20-5	OUTPUT	RIGHT FRONT HIGH BEAM	LIGHTS ON: GROUND	LIGHTS OFF: 12V
LB20-6	OUTPUT	RIGHT FRONT LOW BEAM	LIGHTS ON: GROUND	LIGHTS OFF: 12V
LB20-7	OUTPUT	INSTRUMENT HIGH BEAM DISPLAY	HIGH BEAM WARNING ON: GROUND	WARNING OFF: 12V
LB20-8	OUTPUT	HEADLIGHT FLASH SWITCH	HEADLIGHT FLASH ON: GROUND	FLASH OFF: 12V
LB20-9	OUTPUT	LEFT FRONT HIGH BEAM	LIGHTS ON: GROUND	LIGHTS OFF: 12V
LB20-10	OUTPUT	HEADLIGHT FLASH	LIGHTS ON: GROUND	LIGHTS OFF: 12V
LB20-11	OUTPUT	LEFT FRONT LOW BEAM	LIGHTS ON: GROUND	LIGHTS OFF: 12V
LB20-19	INPUT	IGNITION SWITCHED POWER	KEY ON: 12V	KEY OFF: OPEN CIRCUIT
LB20-20	INPUT	LOGIC GROUND	GROUND	GROUND



NOTE: Canada daytime running light circuit completed by lighting logic unit when ignition switched power is applied.

FIG 8 DATA

COMPONENTS

DESCRIPTION	LOCATION	ACCESS
FASCIA SWITCH PACK	FASCIA	
RELAY AND BULB FAILURE MODULE — LEFT FRONT	BEHIND LEFT HEADLIGHT	ENGINE COMPARTMENT
RELAY AND BULB FAILURE MODULE — LEFT REAR	BEHIND LEFT REAR BULB CLUSTER	LEFT TRUNK TRIM
RELAY AND BULB FAILURE MODULE — RIGHT FRONT	BEHIND RIGHT HEADLIGHT	ENGINE COMPARTMENT
RELAY AND BULB FAILURE MODULE — RIGHT REAR	BEHIND RIGHT REAR BULB CLUSTER	RIGHT TRUNK TRIM
RELAY MODULE H	RIGHT DASH UNDER PANEL	RIGHT DASH UNDER PANEL
(H3 — AUXILIARY SIDE LIGHTS RELAY)		
TRANSMISSION ROTARY SWITCH	TRANSMISSION, LEFT SIDE	

CONNECTORS

CODE	DESCRIPTION	LOCATION / INTERFACE
GB7	12-WAY MULTILOCK 40 (BLACK)	LEFT OF CENTER FUSE PANEL, BELOW ASHTRAY / TRANSMISSION HARNESS
LB20	20-WAY MULTILOCK 40 (BLUE)	LEFT DASH UNDER PANEL, BELOW FASCIA / FASCIA SWITCH PACK
LB24A	12-WAY MULTILOCK 40 (GREEN)	LEFT BLOWER MOTOR HOUSING BRACKET / LEFT SPLICE BOX
LB46	13-WAY AMP MK4 (BLACK)	CENTER CONSOLE, BELOW FUSE PANEL / CENTER FUSE PANEL
LB50	20-WAY MULTILOCK 40 (BLACK)	BENEATH LEFT REAR SEAT BOX SECTION / REAR HARNESS
LB52	12-WAY MULTILOCK 70 (BLACK)	BENEATH RIGHT REAR SEAT BOX SECTION / REAR HARNESS
LB53	12-WAY MULTILOCK 70 (WHITE)	BENEATH RIGHT REAR SEAT BOX SECTION / BULKHEAD TO REAR HARNESS
LB55	20-WAY MULTILOCK 40 (BLACK)	CENTER CONSOLE, FRONT OF GEAR SHIFT / BULKHEAD HARNESS
LB69	20-WAY AMP PCB POWER (YELLOW)	RELAY MOUNTING BRACKET BELOW GLOVE BOX / RELAY MODULE H
LS24	PM 5 (GREEN)	BEHIND LF SIDE MARKER ASSEMBLY / LF SIDE MARKER LIGHT
LS25	PM 5 (BLACK)	BEHIND LF DIRECTIONAL ASSEMBLY / LF SIDE AND DIRECTIONAL LIGHTS
LS28	13-WAY ECONOSEAL III LC (WHITE)	ADJACENT TO LF BULB FAIL MODULE / LF BULB FAIL MODULE
LS36	13-WAY ECONOSEAL III LC (BLACK)	ADJACENT TO LF BULB FAIL MODULE / LF BULB FAIL MODULE
LS53	18-WAY MULTILOCK 70 (WHITE)	BEHIND LEFT TAIL LIGHT CLUSTER / LR BULB FAIL MODULE
LS56	5-WAY MULTIPLE INTERLOCK (WHITE)	BEHIND LEFT TAIL LIGHT CLUSTER / LR BULB FAIL TO LIGHT CLUSTER
RF1	WHITE EYELET	RIGHT 'A' POST BEHIND FUSE PANEL / BATTERY TERMINAL COVER
RS4	13-WAY ECONOSEAL III LC (WHITE)	ADJACENT TO RF BULB FAIL MODULE / RF BULB FAIL MODULE
RS5	13-WAY ECONOSEAL III LC (BLACK)	ADJACENT TO RF BULB FAIL MODULE / RF BULB FAIL MODULE
RS7	PM 5 (BLACK)	BEHIND RF DIRECTIONAL ASSEMBLY / RF SIDE LIGHT
RS8	PM 5 (GREEN)	BEHIND RF SIDE MARKER ASSEMBLY / RF SIDE MARKER LIGHT
RS50	.250 BLADE (BLACK)	BEHIND TRUNK LID TRIM PANEL / LICENSE PLATE LIGHT
RS51	.250 BLADE (BLACK)	BEHIND TRUNK LID TRIM PANEL / LICENSE PLATE LIGHT
RS55	.250 BLADE (BLACK)	BEHIND TRUNK LID TRIM PANEL / LICENSE PLATE LIGHT
RS56	.250 BLADE (BLACK)	BEHIND TRUNK LID TRIM PANEL / LICENSE PLATE LIGHT
RS60	18-WAY MULTILOCK 70 (WHITE)	BEHIND RIGHT TAIL LIGHT CLUSTER / RR BULB FAIL MODULE
RS64	5-WAY MULTIPLE INTERLOCK (WHITE)	BEHIND RIGHT TAIL LIGHT CLUSTER / RR BULB FAIL MODULE TO LIGHT CLUSTER

GROUND

CODE	DESCRIPTION	LOCATION / INTERFACE
LSG27B	WHITE EYELET	ENGINE COMPARTMENT, LF, ADJACENT TO CRUISE CONTROL PUMP / GROUND
LSG54B	WHITE EYELET	TRUNK, LEFT, BELOW BULB FAIL MODULE / GROUND
RFG3L	WHITE EYELET	TRUNK, LEFT, BELOW BULB FAIL MODULE / GROUND
RFG3R	WHITE EYELET	TRUNK, RIGHT, BELOW BULB FAIL MODULE / GROUND
RS66C	WHITE EYELET	ENGINE COMPARTMENT, RF, ADJACENT TO WASHER RESERVOIR / GROUND
RS662A	WHITE EYELET	TRUNK, RIGHT, BELOW BULB FAIL MODULE / GROUND
RS662C	WHITE EYELET	TRUNK, RIGHT, BELOW BULB FAIL MODULE / GROUND

FIG 9 DATA

COMPONENTS

DESCRIPTION

BRAKE SWITCH
 CENTRAL MICROPROCESSOR
 COLUMN SWITCH GEAR
 (TURN SIGNAL SWITCHES)
 FASCIA SWITCH PACK
 HIGH MOUNT STOP LIGHT
 RELAY AND BULB FAILURE MODULE — LEFT FRONT
 RELAY AND BULB FAILURE MODULE — LEFT REAR
 RELAY AND BULB FAILURE MODULE — RIGHT FRONT
 RELAY AND BULB FAILURE MODULE — RIGHT REAR
 RELAY MODULE L
 (L1 — HIGH MOUNT STOP LIGHT RELAY)

LOCATION

ABOVE BRAKE PEDAL
 BEHIND GLOVE BOX
 STEERING COLUMN
 STEERING COLUMN, LEFT
 FASCIA
 REAR WINDOW
 BEHIND LEFT HEADLIGHT
 BEHIND LEFT REAR BULB CLUSTER
 BEHIND RIGHT HEADLIGHT
 BEHIND RIGHT REAR BULB CLUSTER
 RIGHT REAR WHEEL ARCH

ACCESS

LEFT DASH UNDER PANEL
 RIGHT DASH UNDER PANEL
 LEFT DASH UNDER PANEL
 —
 —
 —
 ENGINE COMPARTMENT
 LEFT TRUNK TRIM
 ENGINE COMPARTMENT
 RIGHT TRUNK TRIM
 RIGHT TRUNK TRIM

CONNECTORS

CODE

DESCRIPTION

LB11 20-WAY MULTILOCK 40 (BLUE)
 LB20 20-WAY MULTILOCK 40 (BLUE)
 LB29 4-WAY MULTILOCK 70 (WHITE)
 LB33 12-WAY MULTILOCK 40 (GREEN)
 LB35 12-WAY MULTILOCK 40 (BLACK)
 LB51 12-WAY MULTILOCK 70 (WHITE)
 LB53 12-WAY MULTILOCK 70 (WHITE)
 LB60 48-WAY AMP PCB SIGNAL (YELLOW)
 LB61 48-WAY AMP PCB SIGNAL (BLACK)
 LB79A 12-WAY MULTILOCK 40 (BLACK)
 LB80A 12-WAY MULTILOCK 40 (GREEN)
 LB88 20-WAY MULTILOCK 40 (BLACK)
 LS25 PM 5 (BLACK)
 LS28 13-WAY ECONOSEAL III LC (WHITE)
 LS36 13-WAY ECONOSEAL III LC (BLACK)
 LS53 18-WAY MULTILOCK 70 (WHITE)
 LS56 5-WAY MULTIPLE INTERLOCK (WHITE)
 RS4 13-WAY ECONOSEAL III LC (WHITE)
 RS5 13-WAY ECONOSEAL III LC (BLACK)
 RS7 PM 5 (BLACK)
 RS35 3-WAY EDGE CONTACT (SLATE)
 RS42 20-WAY AMP PCB POWER (BLACK)
 RS60 18-WAY MULTILOCK 70 (WHITE)
 RS64 5-WAY MULTIPLE INTERLOCK (WHITE)
 SC3 6-WAY PMHD (BLUE)

LOCATION / INTERFACE

REAR FACE OF LEFT BLOWER, UNDER FASCIA / BULKHEAD TO LF HARNESS
 LEFT DASH UNDER PANEL, BELOW FASCIA / FASCIA SWITCH PACK
 LOWER STEERING COLUMN, ABOVE BRAKE PEDAL / BRAKE/CRUISE SWITCH
 LOWER RIGHT OF STEERING COLUMN / STEERING COLUMN CYCLE SWITCH
 LOWER RIGHT OF STEERING COLUMN / STEERING COLUMN SWITCH GEAR
 BENEATH LEFT REAR SEAT BOX SECTION / REAR HARNESS
 BENEATH RIGHT REAR SEAT BOX SECTION / BULKHEAD TO REAR HARNESS
 BEHIND GLOVE BOX ON CPU / CENTRAL MICROPROCESSOR
 BEHIND GLOVE BOX ON CPU / CENTRAL MICROPROCESSOR
 RIGHT BLOWER MOTOR, ABOVE VACUUM VALVE / RIGHT SPLICE BOX
 RIGHT BLOWER MOTOR, ABOVE VACUUM VALVE / RIGHT SPLICE BOX
 REAR FACE OF RIGHT BLOWER, UNDER FASCIA / BULKHEAD TO RF HARNESS
 BEHIND LF DIRECTIONAL ASSEMBLY / LF SIDE AND DIRECTIONAL LIGHTS
 ADJACENT TO LF BULB FAIL MODULE / LF BULB FAIL MODULE
 ADJACENT TO LF BULB FAIL MODULE / LF BULB FAIL MODULE
 BEHIND LEFT TAIL LIGHT CLUSTER / LR BULB FAIL MODULE
 BEHIND LEFT TAIL LIGHT CLUSTER / LR BULB FAIL TO LIGHT CLUSTER
 ADJACENT TO RF BULB FAIL MODULE / RF BULB FAIL MODULE
 ADJACENT TO RF BULB FAIL MODULE / RF BULB FAIL MODULE
 BEHIND RF DIRECTIONAL ASSEMBLY / RF SIDE LIGHT
 FITTED TO HIGH MOUNT STOP LIGHT / HIGH MOUNT STOPLIGHT
 BEHIND AND LEFT OF ANTENNA MOTOR / RELAY MODULE L
 BEHIND RIGHT TAIL LIGHT CLUSTER / RR BULB FAIL MODULE
 BEHIND RIGHT TAIL LIGHT CLUSTER / RR BULB FAIL MODULE TO LIGHT CLUSTER
 STEERING COLUMN SWITCH GEAR, LEFT / TURN SIGNAL SWITCH

GROUND

CODE

DESCRIPTION

LSG4B WHITE EYELET
 LSG7B WHITE EYELET
 RSG6C WHITE EYELET
 RSG62B WHITE EYELET
 RSG62C WHITE EYELET

LOCATION / INTERFACE

TRUNK, LEFT, BELOW BULB FAIL MODULE / GROUND
 ENGINE COMPARTMENT, RF, ADJACENT TO WASHER RESERVOIR / GROUND
 ENGINE COMPARTMENT, RF, ADJACENT TO WASHER RESERVOIR / GROUND
 TRUNK, RIGHT, BELOW BULB FAIL MODULE / GROUND
 TRUNK, RIGHT, BELOW BULB FAIL MODULE / GROUND

INPUTS / OUTPUTS

CENTRAL MICROPROCESSOR

INPUTS

CODE	CIRCUIT
LB61-24	IGNITION SWITCHED POWER
19 LB61-34	LEFT TURN SIGNAL SWITCH
20 LB61-33	RIGHT TURN SIGNAL SWITCH
21 LB61-35	HAZARD SWITCH
22 LB61-22	LEFT TURN SIGNAL FAILURE
23 LB61-21	RIGHT TURN SIGNAL FAILURE
24 LB61-48	LEFT TURN SIGNAL DISCONNECT
25 LB61-23	RIGHT TURN SIGNAL DISCONNECT
26 LB61-32	SECURITY SYSTEM TURN SIGNAL FLASH
40 LB61-14	SECURITY VALET SWITCH

ACTIVE

KEY ON: 12V
 LEFT TURN: GROUND
 RIGHT TURN: GROUND
 HAZARDS ON: GROUND
 FAILED BULB: GROUND
 FAILED BULB: GROUND
 DISCONNECTED MODULE: OPEN CIRCUIT
 DISCONNECTED MODULE: OPEN CIRCUIT
 PULSED SIGNAL TO FLASH
 SWITCH TO OFF: GROUND

INACTIVE

KEY OFF: OPEN CIRCUIT
 TURN STALK CENTERED: OPEN CIRCUIT
 TURN STALK CENTERED: OPEN CIRCUIT
 HAZARDS OFF: OPEN CIRCUIT
 BULBS O.K.: 4.0V
 BULBS O.K.: 4.0V
 CONNECTED MODULE: GROUND SENSED
 CONNECTED MODULE: GROUND SENSED
 5V
 SWITCH TO ON: OPEN CIRCUIT

OUTPUTS

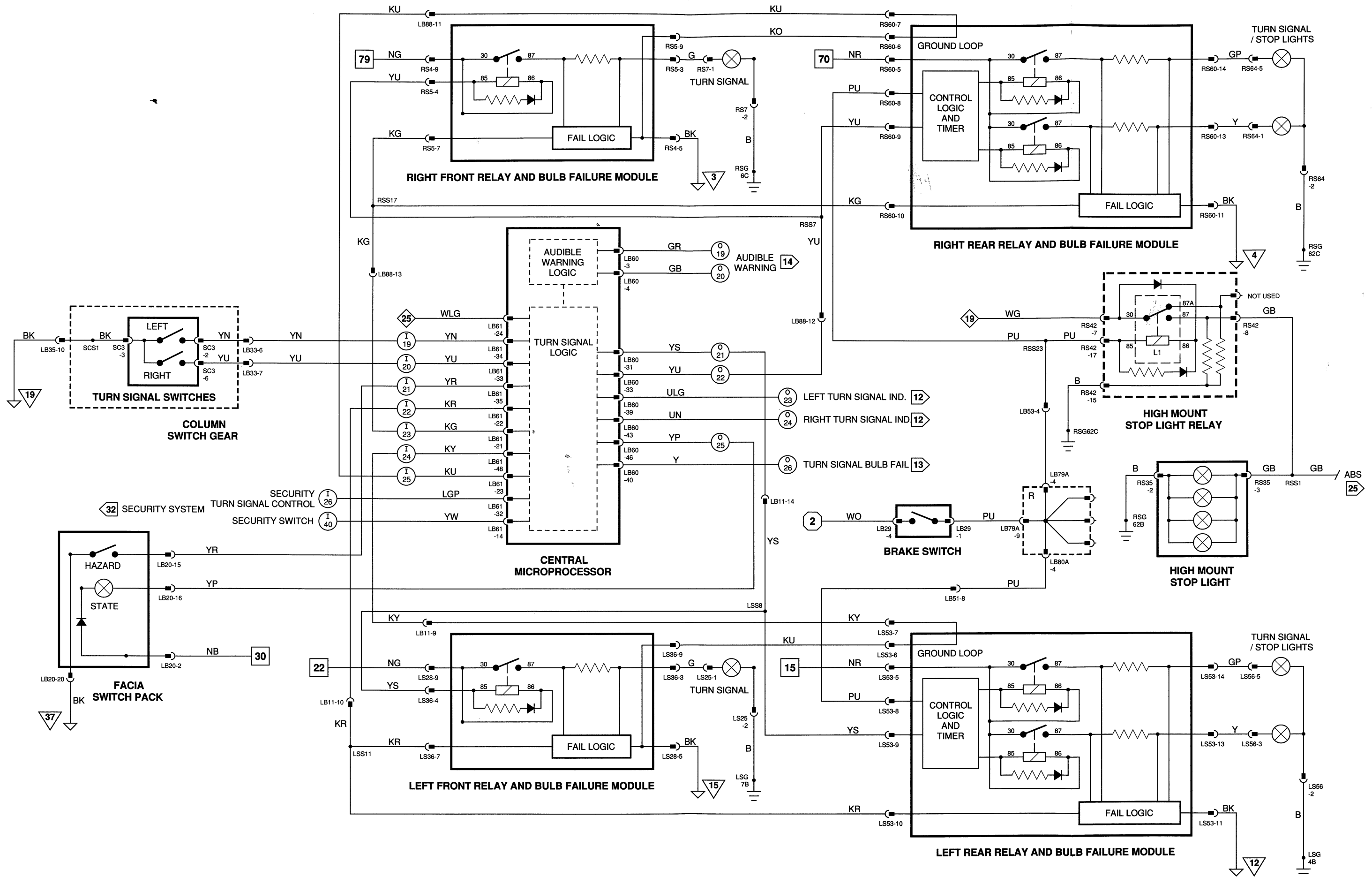
CODE	CIRCUIT
19 LB60-3	AUDIBLE WARNINGS (KEY ON)
20 LB60-4	AUDIBLE WARNINGS (KEY ON)
21 LB60-31	LEFT TURN SIGNAL
22 LB60-33	RIGHT TURN SIGNAL
23 LB60-39	LEFT TURN SIGNAL INDICATOR
24 LB60-43	RIGHT TURN SIGNAL INDICATOR
25 LB60-46	HAZARD INDICATOR
26 LB60-40	TURN SIGNAL BULB FAIL INDICATOR

ACTIVE

PULSES TO GROUND
 PULSES TO GROUND
 LEFT TURN: PULSE TO GROUND
 RIGHT TURN: PULSE TO GROUND
 LEFT TURN: PULSE TO GROUND
 RIGHT TURN: PULSE TO GROUND
 HAZARD SWITCH ON: PULSE TO GROUND
 BULB FAIL: 12V

INACTIVE

TURN SIGNALS ON: EXAMPLE .012 - .021V
 TURN SIGNALS ON: EXAMPLE .012 - .021V
 STALK CENTERED: 12V
 STALK CENTERED: 12V
 STALK CENTERED: 12V
 STALK CENTERED: 12V
 SWITCH OFF: 12V
 BULBS O.K.: GROUND



BATTERY POWER (FIGS 1/L, 1/R)
 IGNITION POWER (FIG 2)
 IGNITION SWITCHED GROUND (FIG 3)
 LOGIC GROUND (FIG 4)
 CPU INPUTS / OUTPUTS (FIG 5)
 FIG NUMBER REFERENCE

FIG 10 DATA

INPUT / OUTPUTS

CENTRAL MICROPROCESSOR

INPUTS

CODE	CIRCUIT	ACTIVE	INACTIVE
1 LB61-27	PASSENGER'S DOOR SWITCH	DOOR OPEN: GROUND	DOOR CLOSED: 5V
2 LB61-20	DRIVER'S DOOR SWITCH	DOOR OPEN: GROUND	DOOR CLOSED: 5V
3 LB61-18	DRIVER'S SEAT BELT SWITCH	BELT UNLATCHED: 129 mV	BELT LATCHED: 157 mV
4 LB61-4	INTERIOR LIGHT SWITCH PAD #2	LIGHTS ON: GROUND	LIGHTS OFF: OPEN CIRCUIT
5 LB61-44	IGNITION KEY IN SWITCH	KEY IN: GROUND	KEY OUT: OPEN CIRCUIT
LB61-1	ENGINE START INPUT	IGNITION CRANK POSITION: GROUND	KEY OUT: OPEN CIRCUIT
41 LB61-38	REMOTE LOCK / UNLOCK	TO UNLOCK: PULSE TO GROUND	5V

OUTPUTS

CODE	CIRCUIT	ACTIVE	INACTIVE
1 LB60-20	SEAT BACK LIGHTS	LIGHTS ON: GROUND	LIGHTS OFF: 12V
2 LB60-11	DOOR GUARD PUDDLE LIGHTS	LIGHTS ON: GROUND	LIGHTS OFF: 12V
3 LB60-15	INTERIOR LIGHTING	LIGHTS ON: GROUND	LIGHTS OFF: 12V

COMPONENTS

DESCRIPTION	LOCATION	ACCESS
CENTER CONSOLE	BETWEEN DRIVER / PASSENGER SEAT	—
CENTRAL MICROPROCESSOR	BEHIND GLOVE BOX	RIGHT DASH UNDER PANEL
COLUMN SWITCH GEAR (KEY-IN SWITCH)	STEERING COLUMN	LEFT DASH UNDER PANEL
DOOR GUARD LIGHT — DRIVER	IGNITION SWITCH	STEERING COLUMN LOWER COWL
DOOR GUARD LIGHT — LEFT REAR	DRIVER'S DOOR	DRIVER'S DOOR CASING
DOOR GUARD LIGHT — PASSENGER	LEFT REAR DOOR	LEFT REAR DOOR CASING
DOOR GUARD LIGHT — RIGHT REAR	PASSENGER'S DOOR	PASSENGER'S DOOR CASING
DOOR SWITCH PACK — DRIVER	RIGHT REAR DOOR	RIGHT REAR DOOR CASING
DOOR SWITCH PACK — LEFT REAR	DRIVER'S DOOR	DRIVER'S DOOR CASING
DOOR SWITCH PACK — PASSENGER	LEFT REAR DOOR	LEFT REAR DOOR LOWER CASING
DOOR SWITCH PACK — RIGHT REAR	PASSENGER'S DOOR	PASSENGER'S DOOR LOWER CASING
DOOR SWITCH — DRIVER	RIGHT REAR DOOR	RIGHT REAR DOOR LOWER CASING
DOOR SWITCH — LEFT REAR	DRIVER'S DOOR LATCH	DRIVER'S DOOR CASING
DOOR SWITCH — PASSENGER	LEFT REAR DOOR LATCH	LEFT REAR DOOR CASING
DOOR SWITCH — RIGHT REAR	PASSENGER'S DOOR LATCH	PASSENGER'S DOOR CASING
SEAT BELT SWITCH — DRIVER	RIGHT REAR DOOR LATCH	RIGHT REAR DOOR CASING
E POST LIGHT — LEFT	DRIVER'S SEAT BELT ANCHOR	LEFT SIDE
E POST LIGHT — RIGHT	LEFT REAR 'E' POST	TRIM PANEL
RELAY MODULE E	RIGHT REAR 'E' POST	TRIM PANEL
(E4 — SEAT BACK LIGHTS RELAY)	BEHIND LEFT HEADLIGHT	ENGINE COMPARTMENT
RELAY MODULE F	RIGHT DASH UNDER PANEL	RIGHT DASH UNDER PANEL
(F3 — INTERIOR LIGHTS RELAY)		
(F4 — DOOR GUARD LIGHTS RELAY)		
ROOF CONSOLE	ROOF CONSOLE	—
SEAT BACK LIGHT AND SWITCH — LEFT	DRIVER'S SEAT BACK	SWITCH BEZEL
SEAT BACK LIGHT AND SWITCH — RIGHT	PASSENGER'S SEAT BACK	SWITCH BEZEL
TRUNK LIGHT	TRUNK	TRUNK PANEL
TRUNK LIGHT SWITCH	RIGHT TRUNK HINGE	RIGHT TRUNK TRIM
VANITY MIRROR — LEFT	LEFT VANITY MIRROR	HEADLINER
VANITY MIRROR — RIGHT	RIGHT VANITY MIRROR	HEADLINER

CONNECTORS

CODE	DESCRIPTION	LOCATION / INTERFACE
DD1	8-WAY MULTILOCK 70 (WHITE)	DRIVER'S DOOR, BOTTOM OF SWITCH PACK / DRIVER'S DOOR HARNESS
DD4	4-WAY ECONOSEAL III LC (BLACK)	DRIVER'S DOOR, BOTTOM REAR / DRIVER'S DOOR SWITCH
DIL3	3-WAY MULTILOCK 70 (WHITE)	REAR OF DRIVER'S SEAT BACK / SEAT BACK READING LIGHT
DPL1	2-WAY MULTILOCK 70 (WHITE)	BELOW DRIVER'S DOOR CATCH / DRIVER'S DOOR HARNESS
DPL2	250 BLADE (WHITE)	BEHIND DRIVER'S PUDDLE LIGHT / DRIVER'S PUDDLE LIGHT
DPL3	250 BLADE (WHITE)	DRIVER'S DOOR, BEHIND PUDDLE LIGHT CASING / DRIVER'S PUDDLE LIGHT
DSM5	18-WAY MULTILOCK 70 (WHITE)	BENEATH DRIVER'S SEAT CUSHION / DRIVER'S SEAT HARNESS
DSM8	2-WAY MULTILOCK 70 (BLACK)	BENEATH DRIVER'S SEAT CUSHION / DRIVER'S SEAT BELT SWITCH
LB9	12-WAY MULTILOCK 70 (WHITE)	LEFT 'A' POST, ABOVE FUSE PANEL / BULKHEAD HARNESS
LB11	20-WAY MULTILOCK 40 (BLUE)	REAR FACE OF LEFT BLOWER, UNDER FASCIA / BULKHEAD TO LF HARNESS
LB12	20-WAY MULTILOCK 40 (BLACK)	LEFT 'A' POST BOX SECTION / BULKHEAD HARNESS
LB14	20-WAY MULTILOCK 40 (GREEN)	LEFT 'A' POST BOX SECTION / BULKHEAD HARNESS
LB15	2-WAY MULTILOCK 40 (BLACK)	BEHIND LEFT SUN VISOR LINING / LEFT VANITY MIRROR
LB34	12-WAY MULTILOCK 40 (GREEN)	BEHIND CENTER CONSOLE CLOCK / CENTER CONSOLE SWITCH PANEL
LB35	12-WAY MULTILOCK 40 (BLACK)	LOWER RIGHT OF STEERING COLUMN / STEERING COLUMN SWITCH GEAR
LB42	10-WAY MULTILOCK 70 (WHITE)	FRONT OF DRIVER'S SEAT BY SEAT AND MIRRORS ECU / BULKHEAD TO SEAT HARNESS
LB43	10-WAY MULTILOCK 70 (WHITE)	FRONT OF PASSENGER'S SEAT BY SEAT CONTROL UNIT / BULKHEAD TO SEAT HARNESS
LB50	20-WAY MULTILOCK 40 (BLACK)	BENEATH LEFT REAR SEAT BOX SECTION / REAR HARNESS
LB52	12-WAY MULTILOCK 70 (BLACK)	BENEATH RIGHT REAR SEAT BOX SECTION / REAR HARNESS
LB60	48-WAY AMP PCB SIGNAL (YELLOW)	BEHIND GLOVE BOX ON CPU / CENTRAL MICROPROCESSOR
LB61	48-WAY AMP PCB SIGNAL (BLACK)	BEHIND GLOVE BOX ON CPU / CENTRAL MICROPROCESSOR
LB71	20-WAY AMP PCB POWER (RED)	RELAY MOUNTING BRACKET BELOW GLOVE BOX / RELAY MODULE F
LB73	2-WAY MULTILOCK 40 (BLACK)	ROOF CONSOLE / MAP AND INTERIOR LIGHTS
LB75	4-WAY MULTILOCK 40 (BLACK)	BEHIND RIGHT SUN VISOR LINING / RIGHT VANITY MIRROR
LB79A	12-WAY MULTILOCK 40 (BLACK)	RIGHT BLOWER MOTOR, ABOVE VACUUM VALVE / RIGHT SPLICE BOX
LB80A	12-WAY MULTILOCK 40 (GREEN)	RIGHT BLOWER MOTOR, ABOVE VACUUM VALVE / RIGHT SPLICE BOX
LB81A	12-WAY MULTILOCK 40 (BLUE)	RIGHT BLOWER MOTOR, ABOVE VACUUM VALVE / RIGHT SPLICE BOX
LB82	20-WAY MULTILOCK 40 (BLACK)	RIGHT 'A' POST BOX SECTION / BULKHEAD HARNESS
LB86	4-WAY ECONOSEAL III HC (BLACK)	RIGHT DASH UNDER PANEL / BULKHEAD HARNESS
PIL3	3-WAY MULTILOCK 70 (WHITE)	REAR OF PASSENGER'S SEAT BACK / SEAT BACK READING LIGHT
LB87	20-WAY MULTILOCK 40 (GREEN)	REAR FACE OF RIGHT BLOWER, UNDER FASCIA / BULKHEAD TO RF HARNESS
LB88	20-WAY MULTILOCK 40 (BLACK)	REAR FACE OF RIGHT BLOWER, UNDER FASCIA / BULKHEAD TO RF HARNESS
LPL1	2-WAY MULTILOCK 70 (WHITE)	BELOW LR DOOR CATCH / LR DOOR HARNESS
LPL2	250 BLADE (WHITE)	BEHIND LR PUDDLE LIGHT / LR PUDDLE LIGHT
LPL3	250 BLADE (WHITE)	LR DOOR, BEHIND PUDDLE LIGHT CASING / LR PUDDLE LIGHT
LRD1	12-WAY MULTILOCK 70 (WHITE)	LR DOOR, BOTTOM OF SWITCH PACK / LR DOOR HARNESS
LRD4	4-WAY ECONOSEAL III LC (BLACK)	LR DOOR, BOTTOM OF DOOR / LR DOOR SWITCH
LRD9	12-WAY MULTILOCK 40 (BLACK)	RIGHT 'B/C' POST BOX SECTION, BY SEAT BELT / LR HARNESS
LS39	2-WAY MULTILOCK 40 (BLACK)	LEFT 'E' POST BEHIND TRIM PANEL / LEFT 'E' POST LIGHT
LS70	20-WAY AMP PCB POWER (BLACK)	LEFT HEADLIGHT BRACKET BELOW HOOD HINGE / RELAY MODULE E
PD1	12-WAY MULTILOCK 70 (WHITE)	PASSENGER'S DOOR, BOTTOM OF SWITCH PACK / PASSENGER'S DOOR HARNESS
PD4	4-WAY ECONOSEAL III LC (BLACK)	PASSENGER'S DOOR, BOTTOM REAR / PASSENGER'S DOOR SWITCH
PPL1	2-WAY MULTILOCK 70 (WHITE)	BELOW PASSENGER'S DOOR CATCH / PASSENGER'S DOOR HARNESS
PPL2	250 BLADE (WHITE)	BEHIND PASSENGER'S PUDDLE LIGHT / PASSENGER'S PUDDLE LIGHT
PPL3	250 BLADE (WHITE)	PASSENGER'S DOOR, BEHIND PUDDLE LIGHT CASING / PASSENGER'S PUDDLE LIGHT
PSM5	18-WAY MULTILOCK 70 (WHITE)	BENEATH PASSENGER'S SEAT CUSHION / PASSENGER'S SEAT HARNESS
RRD1	12-WAY MULTILOCK 70 (WHITE)	RR DOOR, BOTTOM OF SWITCH PACK / RR DOOR HARNESS
RRD4	4-WAY ECONOSEAL III LC (BLACK)	RR DOOR, BOTTOM OF DOOR / RR DOOR SWITCH
RRD9	12-WAY MULTILOCK 40 (BLACK)	RIGHT 'B/C' POST BOX SECTION, BY SEAT BELT / RR HARNESS
RPL1	2-WAY MULTILOCK 70 (WHITE)	BELOW RR DOOR CATCH / RR DOOR HARNESS
RPL2	250 BLADE (WHITE)	BEHIND RR PUDDLE LIGHT / RR PUDDLE LIGHT
RPL3	250 BLADE (WHITE)	RR DOOR, BEHIND PUDDLE LIGHT CASING / RR PUDDLE LIGHT
RS34	2-WAY MULTILOCK 40 (BLACK)	BEHIND RIGHT 'E' POST LIGHT / RIGHT 'E' POST LIGHT
RS48	250 BLADE (BLACK)	BEHIND TRUNK LID TRIM PANEL / TRUNK LIGHT
RS49	250 BLADE (BLACK)	BEHIND TRUNK LID TRIM PANEL / TRUNK LIGHT
RS57	250 BLADE (BLACK)	TRUNK, RIGHT, MOUNTED TO HINGE / TRUNK LIGHT MICRO SWITCH
SC8	6-WAY PMHD (PURPLE)	STEERING COLUMN SWITCH GEAR, RIGHT / KEY IN SWITCH

GROUNDS

CODE	DESCRIPTION	LOCATION / INTERFACE
LBG13B	WHITE EYELET	ABOVE LEFT FUSE PANEL ON 'A' POST / GROUND
LBG39B	WHITE EYELET	CENTER CONSOLE GROUND STUD BEHIND 'J' GATE / GROUND
LBG84A	WHITE EYELET	ABOVE RIGHT FUSE PANEL ON 'A' POST / GROUND

CONTINUED AT LEFT ON FOLDOUT

FIG 10 DATA

INPUT / OUTPUTS

CENTRAL MICROPROCESSOR

INPUTS

CODE	CIRCUIT	ACTIVE	INACTIVE
1 LB61-27	PASSENGER'S DOOR SWITCH	DOOR OPEN: GROUND	DOOR CLOSED: 5V
2 LB61-20	DRIVER'S DOOR SWITCH	DOOR OPEN: GROUND	DOOR CLOSED: 5V
3 LB61-18	DRIVER'S SEAT BELT SWITCH	BELT UNLATCHED: 129 mV	BELT LATCHED: 157 mV
4 LB61-4	INTERIOR LIGHT SWITCH PAD #2	LIGHTS ON: GROUND	LIGHTS OFF: OPEN CIRCUIT
5 LB61-44	IGNITION KEY IN SWITCH	KEY IN: GROUND	KEY OUT: OPEN CIRCUIT
LB61-1	ENGINE START INPUT	IGNITION CRANK POSITION: GROUND	KEY OUT: OPEN CIRCUIT
41 LB61-38	REMOTE LOCK / UNLOCK	TO UNLOCK: PULSE TO GROUND	5V

OUTPUTS

CODE	CIRCUIT	ACTIVE	INACTIVE
1 LB60-20	SEAT BACK LIGHTS	LIGHTS ON: GROUND	LIGHTS OFF: 12V
2 LB60-11	DOOR GUARD PUDDLE LIGHTS	LIGHTS ON: GROUND	LIGHTS OFF: 12V
3 LB60-15	INTERIOR LIGHTING	LIGHTS ON: GROUND	LIGHTS OFF: 12V

COMPONENTS

DESCRIPTION	LOCATION	ACCESS
CENTER CONSOLE	BETWEEN DRIVER / PASSENGER SEAT	—
CENTRAL MICROPROCESSOR	BEHIND GLOVE BOX	RIGHT DASH UNDER PANEL
COLUMN SWITCH GEAR (KEY-IN SWITCH)	STEERING COLUMN	LEFT DASH UNDER PANEL
DOOR GUARD LIGHT — DRIVER	IGNITION SWITCH	STEERING COLUMN LOWER COWL
DOOR GUARD LIGHT — LEFT REAR	DRIVER'S DOOR	DRIVER'S DOOR CASING
DOOR GUARD LIGHT — PASSENGER	LEFT REAR DOOR	LEFT REAR DOOR CASING
DOOR GUARD LIGHT — RIGHT REAR	PASSENGER'S DOOR	PASSENGER'S DOOR CASING
DOOR SWITCH PACK — DRIVER	RIGHT REAR DOOR	RIGHT REAR DOOR CASING
DOOR SWITCH PACK — LEFT REAR	DRIVER'S DOOR	DRIVER'S DOOR CASING
DOOR SWITCH PACK — PASSENGER	LEFT REAR DOOR	LEFT REAR DOOR LOWER CASING
DOOR SWITCH PACK — RIGHT REAR	PASSENGER'S DOOR	PASSENGER'S DOOR LOWER CASING
DOOR SWITCH — DRIVER	RIGHT REAR DOOR	RIGHT REAR DOOR LOWER CASING
DOOR SWITCH — LEFT REAR	DRIVER'S DOOR LATCH	DRIVER'S DOOR CASING
DOOR SWITCH — PASSENGER	LEFT REAR DOOR LATCH	LEFT REAR DOOR CASING
DOOR SWITCH — RIGHT REAR	PASSENGER'S DOOR LATCH	PASSENGER'S DOOR CASING
SEAT BELT SWITCH — DRIVER	RIGHT REAR DOOR LATCH	RIGHT REAR DOOR CASING
E POST LIGHT — LEFT	DRIVER'S SEAT BELT ANCHOR	LEFT-SIDE
E POST LIGHT — RIGHT	LEFT REAR 'E' POST	TRIM PANEL
RELAY MODULE E	RIGHT REAR 'E' POST	TRIM PANEL
(E4 — SEAT BACK LIGHTS RELAY)	BEHIND LEFT HEADLIGHT	ENGINE COMPARTMENT
RELAY MODULE F	RIGHT DASH UNDER PANEL	RIGHT DASH UNDER PANEL
(F3 — INTERIOR LIGHTS RELAY)		
(F4 — DOOR GUARD LIGHTS RELAY)		
ROOF CONSOLE	ROOF CONSOLE	—
SEAT BACK LIGHT AND SWITCH — LEFT	DRIVER'S SEAT BACK	SWITCH BEZEL
SEAT BACK LIGHT AND SWITCH — RIGHT	PASSENGER'S SEAT BACK	SWITCH BEZEL
TRUNK LIGHT	TRUNK	TRUNK PANEL
TRUNK LIGHT SWITCH	RIGHT TRUNK HINGE	RIGHT TRUNK TRIM
VANITY MIRROR — LEFT	LEFT VANITY MIRROR	HEADLINER
VANITY MIRROR — RIGHT	RIGHT VANITY MIRROR	HEADLINER

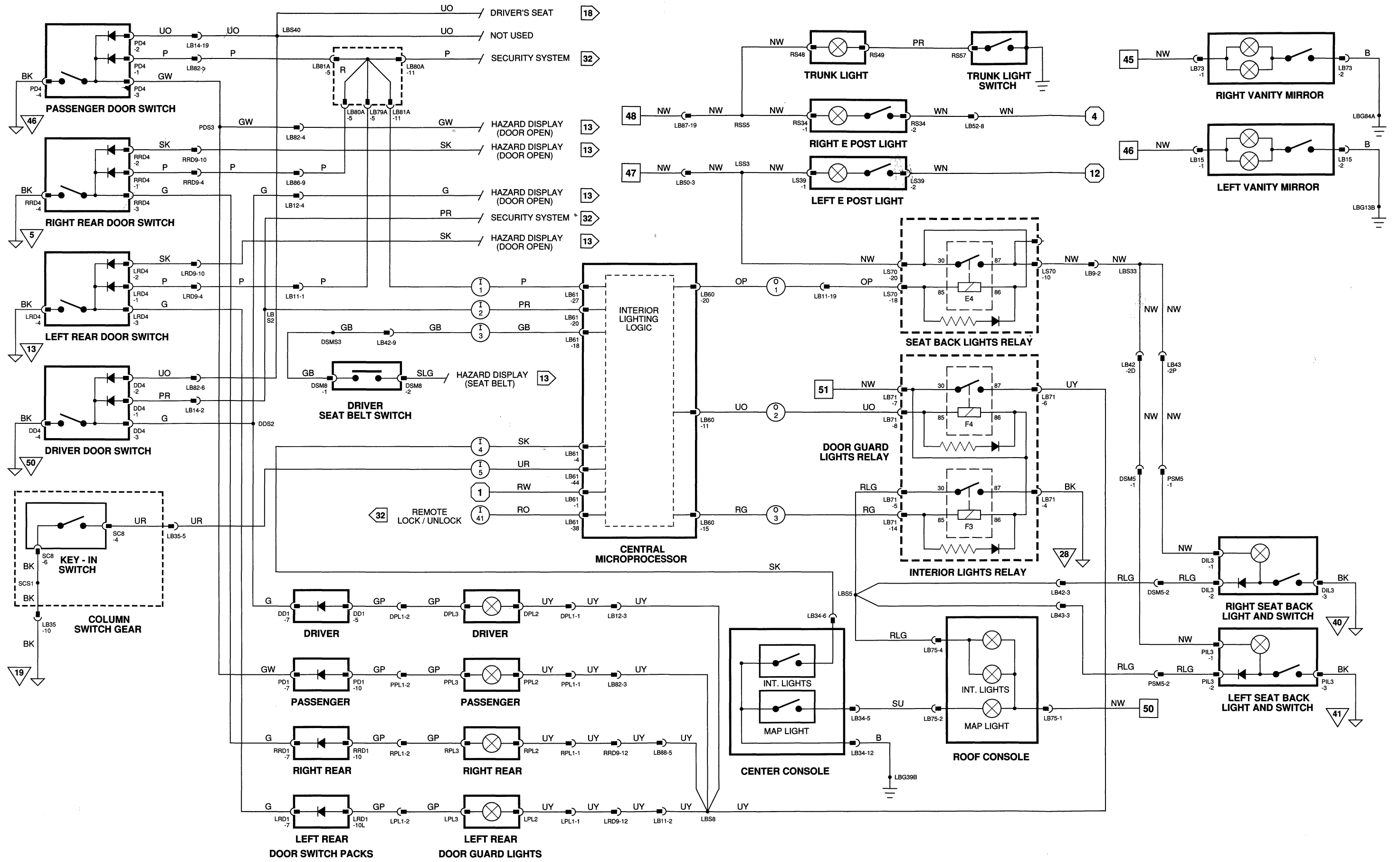
CONNECTORS

CODE	DESCRIPTION	LOCATION / INTERFACE
DD1	8-WAY MULTILOCK 70 (WHITE)	DRIVER'S DOOR, BOTTOM OF SWITCH PACK / DRIVER'S DOOR HARNESS
DD4	4-WAY ECONOSEAL III LC (BLACK)	DRIVER'S DOOR, BOTTOM REAR / DRIVER'S DOOR SWITCH
DIL3	3-WAY MULTILOCK 70 (WHITE)	REAR OF DRIVER'S SEAT BACK / SEAT BACK READING LIGHT
DPL1	2-WAY MULTILOCK 70 (WHITE)	BELOW DRIVER'S DOOR CATCH / DRIVER'S DOOR HARNESS
DPL2	250 BLADE (WHITE)	BEHIND DRIVER'S PUDDLE LIGHT / DRIVER'S PUDDLE LIGHT
DPL3	250 BLADE (WHITE)	DRIVER'S DOOR, BEHIND PUDDLE LIGHT CASING / DRIVER'S PUDDLE LIGHT
DSM5	18-WAY MULTILOCK 70 (WHITE)	BENEATH DRIVER'S SEAT CUSHION / DRIVER'S SEAT HARNESS
DSM8	2-WAY MULTILOCK 70 (BLACK)	BENEATH DRIVER'S SEAT CUSHION / DRIVER'S SEAT BELT SWITCH
LB9	12-WAY MULTILOCK 70 (WHITE)	LEFT 'A' POST, ABOVE FUSE PANEL / BULKHEAD HARNESS
LB11	20-WAY MULTILOCK 40 (BLUE)	REAR FACE OF LEFT BLOWER, UNDER FASCIA / BULKHEAD TO LF HARNESS
LB12	20-WAY MULTILOCK 40 (BLACK)	LEFT 'A' POST BOX SECTION / BULKHEAD HARNESS
LB14	20-WAY MULTILOCK 40 (GREEN)	LEFT 'A' POST BOX SECTION / BULKHEAD HARNESS
LB15	2-WAY MULTILOCK 40 (BLACK)	BEHIND LEFT SUN VISOR LINING / LEFT VANITY MIRROR
LB34	12-WAY MULTILOCK 40 (GREEN)	BEHIND CENTER CONSOLE CLOCK / CENTER CONSOLE SWITCH PANEL
LB35	12-WAY MULTILOCK 40 (BLACK)	LOWER RIGHT OF STEERING COLUMN / STEERING COLUMN SWITCH GEAR
LB42	10-WAY MULTILOCK 70 (WHITE)	FRONT OF DRIVER'S SEAT BY SEAT AND MIRRORS ECU / BULKHEAD TO SEAT HARNESS
LB43	10-WAY MULTILOCK 70 (WHITE)	FRONT OF PASSENGER'S SEAT BY SEAT CONTROL UNIT / BULKHEAD TO SEAT HARNESS
LB50	20-WAY MULTILOCK 40 (BLACK)	BENEATH LEFT REAR SEAT BOX SECTION / REAR HARNESS
LB52	12-WAY MULTILOCK 70 (BLACK)	BENEATH RIGHT REAR SEAT BOX SECTION / REAR HARNESS
LB60	48-WAY AMP PCB SIGNAL (YELLOW)	BEHIND GLOVE BOX ON CPU / CENTRAL MICROPROCESSOR
LB61	48-WAY AMP PCB SIGNAL (BLACK)	BEHIND GLOVE BOX ON CPU / CENTRAL MICROPROCESSOR
LB71	20-WAY AMP PCB POWER (RED)	RELAY MOUNTING BRACKET BELOW GLOVE BOX / RELAY MODULE F
LB73	2-WAY MULTILOCK 40 (BLACK)	ROOF CONSOLE / MAP AND INTERIOR LIGHTS
LB75	4-WAY MULTILOCK 40 (BLACK)	BEHIND RIGHT SUN VISOR LINING / RIGHT VANITY MIRROR
LB79A	12-WAY MULTILOCK 40 (BLACK)	RIGHT BLOWER MOTOR, ABOVE VACUUM VALVE / RIGHT SPLICE BOX
LB80A	12-WAY MULTILOCK 40 (GREEN)	RIGHT BLOWER MOTOR, ABOVE VACUUM VALVE / RIGHT SPLICE BOX
LB81A	12-WAY MULTILOCK 40 (BLUE)	RIGHT BLOWER MOTOR, ABOVE VACUUM VALVE / RIGHT SPLICE BOX
LB82	20-WAY MULTILOCK 40 (BLACK)	RIGHT 'A' POST BOX SECTION / BULKHEAD HARNESS
LB86	4-WAY ECONOSEAL III HC (BLACK)	RIGHT DASH UNDER PANEL / BULKHEAD HARNESS
PIL3	3-WAY MULTILOCK 70 (WHITE)	REAR OF PASSENGER'S SEAT BACK / SEAT BACK READING LIGHT
LB87	20-WAY MULTILOCK 40 (GREEN)	REAR FACE OF RIGHT BLOWER, UNDER FASCIA / BULKHEAD TO RF HARNESS
LB88	20-WAY MULTILOCK 40 (BLACK)	REAR FACE OF RIGHT BLOWER, UNDER FASCIA / BULKHEAD TO RF HARNESS
LPL1	2-WAY MULTILOCK 70 (WHITE)	BELOW LR DOOR CATCH / LR DOOR HARNESS
LPL2	250 BLADE (WHITE)	BEHIND LR PUDDLE LIGHT / LR PUDDLE LIGHT
LPL3	250 BLADE (WHITE)	LR DOOR, BEHIND PUDDLE LIGHT CASING / LR PUDDLE LIGHT
LRD1	12-WAY MULTILOCK 70 (WHITE)	LR DOOR, BOTTOM OF SWITCH PACK / LR DOOR HARNESS
LRD4	4-WAY ECONOSEAL III LC (BLACK)	LR DOOR, BOTTOM OF DOOR / LR DOOR SWITCH
LRD9	12-WAY MULTILOCK 40 (BLACK)	RIGHT 'B/C' POST BOX SECTION, BY SEAT BELT / LR HARNESS
LS39	2-WAY MULTILOCK 40 (BLACK)	LEFT 'E' POST BEHIND TRIM PANEL / LEFT 'E' POST LIGHT
LS70	20-WAY AMP PCB POWER (BLACK)	LEFT HEADLIGHT BRACKET BELOW HOOD HINGE / RELAY MODULE E
PD1	12-WAY MULTILOCK 70 (WHITE)	PASSENGER'S DOOR, BOTTOM OF SWITCH PACK / PASSENGER'S DOOR HARNESS
PD4	4-WAY ECONOSEAL III LC (BLACK)	PASSENGER'S DOOR, BOTTOM REAR / PASSENGER'S DOOR SWITCH
PPL1	2-WAY MULTILOCK 70 (WHITE)	BELOW PASSENGER'S DOOR CATCH / PASSENGER'S DOOR HARNESS
PPL2	250 BLADE (WHITE)	BEHIND PASSENGER'S PUDDLE LIGHT / PASSENGER'S PUDDLE LIGHT
PPL3	250 BLADE (WHITE)	PASSENGER'S DOOR, BEHIND PUDDLE LIGHT CASING / PASSENGER'S PUDDLE LIGHT
PSM5	18-WAY MULTILOCK 70 (WHITE)	BENEATH PASSENGER'S SEAT CUSHION / PASSENGER'S SEAT HARNESS
RRD1	12-WAY MULTILOCK 70 (WHITE)	RR DOOR, BOTTOM OF SWITCH PACK / RR DOOR HARNESS
RRD4	4-WAY ECONOSEAL III LC (BLACK)	RR DOOR, BOTTOM OF DOOR / RR DOOR SWITCH
RRD9	12-WAY MULTILOCK 40 (BLACK)	RIGHT 'B/C' POST BOX SECTION, BY SEAT BELT / RR HARNESS
RPL1	2-WAY MULTILOCK 70 (WHITE)	BELOW RR DOOR CATCH / RR DOOR HARNESS
RPL2	250 BLADE (WHITE)	BEHIND RR PUDDLE LIGHT / RR PUDDLE LIGHT
RPL3	250 BLADE (WHITE)	RR DOOR, BEHIND PUDDLE LIGHT CASING / RR PUDDLE LIGHT
RS34	2-WAY MULTILOCK 40 (BLACK)	BEHIND RIGHT 'E' POST LIGHT / RIGHT 'E' POST LIGHT
RS48	250 BLADE (BLACK)	BEHIND TRUNK LID TRIM PANEL / TRUNK LIGHT
RS49	250 BLADE (BLACK)	BEHIND TRUNK LID TRIM PANEL / TRUNK LIGHT
RS57	250 BLADE (BLACK)	TRUNK, RIGHT, MOUNTED TO HINGE / TRUNK LIGHT MICRO SWITCH
SC8	6-WAY PMHD (PURPLE)	STEERING COLUMN SWITCH GEAR, RIGHT / KEY IN SWITCH

GROUNDS

CODE	DESCRIPTION	LOCATION / INTERFACE
LBG13B	WHITE EYELET	ABOVE LEFT FUSE PANEL ON 'A' POST / GROUND
LBG39B	WHITE EYELET	CENTER CONSOLE GROUND STUD BEHIND 'J' GATE / GROUND
LBG84A	WHITE EYELET	ABOVE RIGHT FUSE PANEL ON 'A' POST / GROUND

CONTINUED AT LEFT ON FOLDOUT



BATTERY POWER (FIGS 1/L, 1/R)
 IGNITION POWER (FIG 2)
 IGNITION SWITCHED GROUND (FIG 3)
 LOGIC GROUND (FIG 4)
 CPU INPUTS / OUTPUTS (FIG 5)
 FIG NUMBER REFERENCE

NOTE: HOOD LIGHTS AND GLOVE BOX LIGHT — FIG 17

FIG 11 DATA

COMPONENTS

DESCRIPTION	LOCATION	ACCESS
CENTER CONSOLE	BETWEEN DRIVER / PASSENGER SEAT	—
CENTRAL MICROPROCESSOR	BEHIND GLOVE BOX	RIGHT DASH UNDER PANEL
CLIMATE CONTROL PANEL	CENTER CONSOLE ABOVE RADIO	—
CLIMATE CONTROL SWITCH	CENTER CONSOLE, ABOVE RADIO	—
COLUMN SWITCH GEAR (DIMMER)	STEERING COLUMN	LEFT DASH UNDER PANEL
DOOR SWITCH PACK — DRIVER	STEERING COLUMN COWL, LEFT	STEERING COLUMN LOWER COWL
DOOR SWITCH PACK — LEFT REAR	DRIVER'S DOOR	DRIVER'S DOOR LOWER CASING
DOOR SWITCH PACK — PASSENGER	LEFT REAR DOOR	LEFT REAR DOOR LOWER CASING
DOOR SWITCH PACK — RIGHT REAR	PASSENGER'S DOOR	PASSENGER'S DOOR LOWER CASING
FASCIA SWITCH PACK	RIGHT REAR DOOR	RIGHT REAR DOOR LOWER CASING
INSTRUMENT PACK	FASCIA	—
RADIO	DRIVER'S SIDE FASCIA	—
SEAT SWITCH PACK — DRIVER	CENTER CONSOLE	—
SEAT SWITCH PACK — PASSENGER	CENTER CONSOLE, LEFT SIDE	CENTER CONSOLE
	CENTER CONSOLE, RIGHT SIDE	CENTER CONSOLE

CONNECTORS

CODE	DESCRIPTION	LOCATION / INTERFACE
AC1	24-WAY AMP PCB SIGNAL (BLACK)	BEHIND CLIMATE CONTROL PANEL / CLIMATE CONTROL PANEL
DD1	8-WAY MULTILOCK 70 (WHITE)	DRIVER'S DOOR, BOTTOM OF SWITCH PACK / DRIVER'S DOOR HARNESS
DD2	20-WAY MULTILOCK 40 (BLACK)	DRIVER'S DOOR SWITCH PACK, NEAR FRONT OF DOOR / DRIVER'S DOOR SWITCH PACK
LB10	20-WAY MULTILOCK 40 (BLACK)	REAR FACE OF LEFT BLOWER, UNDER FASCIA / BULKHEAD TO LF HARNESS
LB12	20-WAY MULTILOCK 40 (BLACK)	LEFT 'A' POST BOX SECTION / BULKHEAD HARNESS
LB20	20-WAY MULTILOCK 40 (BLUE)	LEFT DASH UNDER PANEL, BELOW FASCIA / FASCIA SWITCH PACK
LB21	24-WAY AMP PCB SIGNAL (BLACK)	BEHIND INSTRUMENT PACK AT FASCIA / INSTRUMENT PACK
LB22A	12-WAY MULTILOCK 40 (BLACK)	LEFT BLOWER MOTOR HOUSING BRACKET / LEFT SPLICE BOX
LB23A	12-WAY MULTILOCK 40 (BLUE)	LEFT BLOWER MOTOR HOUSING BRACKET / LEFT SPLICE BOX
LB24A	12-WAY MULTILOCK 40 (GREEN)	LEFT BLOWER MOTOR HOUSING BRACKET / LEFT SPLICE BOX
LB25	48-WAY AMP PCB SIGNAL (BLACK)	BEHIND INSTRUMENT PACK AT FASCIA / INSTRUMENT PACK
LB26	18-WAY MULTILOCK 70 (YELLOW)	REAR OF TRIP COMPUTER BY STEERING COLUMN / TRIP COMPUTER
LB33	12-WAY MULTILOCK 40 (GREEN)	LOWER RIGHT OF STEERING COLUMN / STEERING COLUMN CYCLE SWITCH
LB34	12-WAY MULTILOCK 40 (GREEN)	BEHIND CENTER CONSOLE CLOCK / CENTER CONSOLE SWITCH PANEL
LB35	12-WAY MULTILOCK 40 (BLACK)	LOWER RIGHT OF STEERING COLUMN / STEERING COLUMN SWITCH GEAR
LB36	14-WAY MULTILOCK 70 (WHITE)	BEHIND CENTER CONSOLE RADIO / RADIO
LB37	20-WAY MULTILOCK 40 (GREEN)	MOUNTED LEFT OF CENTER CONSOLE CHEEK / DRIVER SEAT SWITCH PACK
LB49	13-WAY AMP MK4 (SLATE)	CENTER CONSOLE, BELOW FUSE PANEL / CENTER FUSE PANEL
LB54	20-WAY MULTILOCK 40 (BLUE)	MOUNTED RIGHT OF CENTER CONSOLE CHEEK / PASSENGER SEAT SWITCH PACK
LB57	12-WAY MULTILOCK 40 (BLACK)	BELOW A/C CASE, RIGHT, NEAR A/C ECU / BULKHEAD HARNESS
LB60	48-WAY AMP PCB SIGNAL (YELLOW)	BEHIND GLOVE BOX ON CPU / CENTRAL MICROPROCESSOR
LB61	48-WAY AMP PCB SIGNAL (BLACK)	BEHIND GLOVE BOX ON CPU / CENTRAL MICROPROCESSOR
LB81A	12-WAY MULTILOCK 40 (BLUE)	RIGHT BLOWER MOTOR, ABOVE VACUUM VALVE / RIGHT SPLICE BOX
LB81B	16-WAY MULTILOCK 40 (BLUE)	RIGHT BLOWER MOTOR, ABOVE VACUUM VALVE / RIGHT SPLICE BOX
LB82	20-WAY MULTILOCK 40 (BLACK)	RIGHT 'A' POST BOX SECTION / BULKHEAD HARNESS
LB87	20-WAY MULTILOCK 40 (GREEN)	REAR FACE OF RIGHT BLOWER, UNDER FASCIA / BULKHEAD TO RF HARNESS
PD1	12-WAY MULTILOCK 70 (WHITE)	PASSENGER'S DOOR, BOTTOM OF SWITCH PACK / PASSENGER'S DOOR HARNESS
RRD1	12-WAY MULTILOCK 70 (WHITE)	RR DOOR, BOTTOM OF SWITCH PACK / RR DOOR HARNESS
RRD9	12-WAY MULTILOCK 40 (BLACK)	RIGHT 'B/C' POST BOX SECTION, BY SEAT BELT / RR HARNESS
SC1	6-WAY PMHD (BLACK)	STEERING COLUMN SWITCH GEAR, LEFT / FASCIA DIMMER CONTROL
SC7	6-WAY PMHD (GREEN)	STEERING COLUMN SWITCH GEAR, LEFT / LIGHTING SWITCH GEAR
SC8	6-WAY PMHD (PURPLE)	STEERING COLUMN SWITCH GEAR, RIGHT / KEY IN SWITCH

GROUNDS

CODE	DESCRIPTION	LOCATION / INTERFACE
LBG13A	WHITE EYELET	ABOVE LEFT FUSE PANEL ON 'A' POST / GROUND
LBG39A	WHITE EYELET	CENTER CONSOLE GROUND STUD BEHIND 'J' GATE / GROUND
LBG39B	WHITE EYELET	CENTER CONSOLE GROUND STUD BEHIND 'J' GATE / GROUND
LBG39C	WHITE EYELET	CENTER CONSOLE GROUND STUD BEHIND 'J' GATE / GROUND
LBG84B	WHITE EYELET	ABOVE RIGHT FUSE PANEL ON 'A' POST / GROUND
LSG54B	WHITE EYELET	TRUNK, LEFT, BELOW BULB FAIL MODULE / GROUND
RS62C	WHITE EYELET	TRUNK, RIGHT, BELOW BULB FAIL MODULE / GROUND

INPUTS / OUTPUTS

COLUMN SWITCH GEAR (DIMMER)

CODE	IN / OUT	CIRCUIT	ACTIVE	INACTIVE
SC1-1	OUTPUT	DIMMER OUTPUT	MAXIMUM BRIGHTNESS: 12V	MINIMUM BRIGHTNESS: 3.4V
SC1-2	OUTPUT	SIDE LIGHTS	LIGHTS ON: GROUND	LIGHTS OFF: 12V
SC1-3	INPUT	BATTERY POWER	12V	12V
SC1-5	OUTPUT	DIMMER OVERRIDE	DIMMER LATCHED: 12V	UNLATCHED: OPEN CIRCUIT
SC1-6	OUTPUT	DIMMER	LIGHTS ON: GROUND	LIGHTS OFF: 12V
SC7-1	OUTPUT	INSTRUMENT PACK LIGHTING	LIGHTS ON: 10V	LIGHTS OFF: OPEN CIRCUIT
SC7-2	INPUT	IGNITION SWITCHED GROUND	GROUND	GROUND
SC8-5	INPUT	POWER GROUND	GROUND	GROUND

CENTER CONSOLE

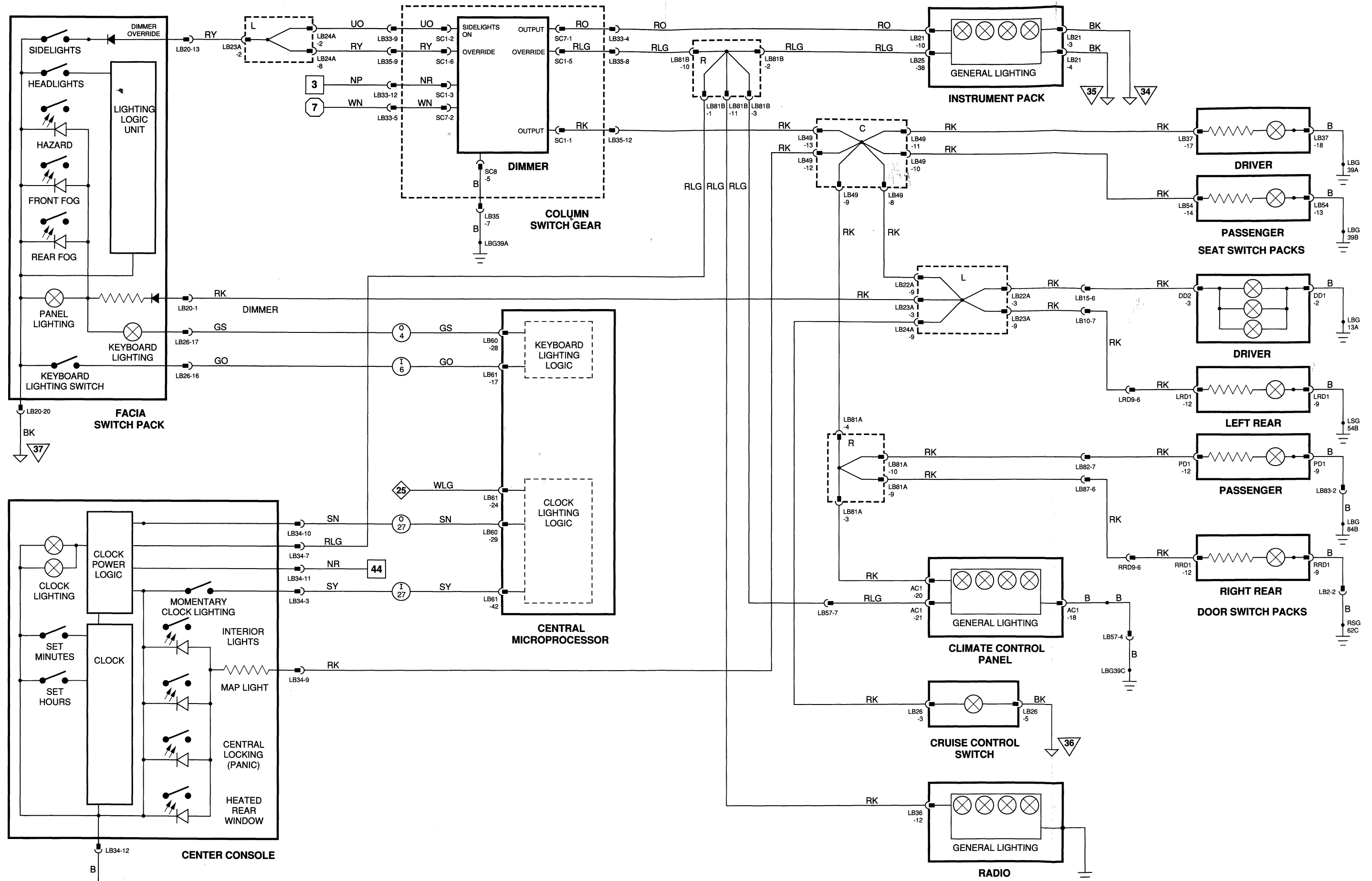
CODE	IN / OUT	CIRCUIT	ACTIVE	INACTIVE
LB34-3	OUTPUT	MOMENTARY CLOCK LIGHTING	BUTTON PRESSED: GROUND	BUTTON RELEASED: OPEN CIRCUIT
LB34-7	INPUT	CLOCK ILLUMINATION / DIMMER	LIGHTS ON / DIMMER LATCHED: 12V	LIGHTS / DIMMER ON: MIN. 3V
LB34-9	INPUT	CENTER CONSOLE LOCATE ILLUMINATION	LIGHTS ON / DIMMER LATCHED: 12V	LIGHTS / DIMMER ON: MIN. 3V
LB34-10	INPUT	CLOCK ILLUMINATION	KEY ON: 12V	KEY OFF: OPEN CIRCUIT
LB34-11	INPUT	BATTERY POWER	12V	12V
LB34-12	INPUT	POWER GROUND	GROUND	GROUND

CENTRAL MICROPROCESSOR

CODE	CIRCUIT	ACTIVE	INACTIVE
6 LB61-17	TRIP COMPUTER KEYBOARD ILLUMINATION	SWITCH HELD IN: GROUND	SWITCH RELEASED: OPEN CIRCUIT
LB61-24	IGNITION SWITCHED POWER	KEY ON: 12V	KEY OFF: OPEN CIRCUIT
27 LB61-42	CLOCK ILLUMINATION SWITCH	SWITCH PRESSED: GROUND	SWITCH RELEASED: OPEN CIRCUIT

OUTPUTS

CODE	CIRCUIT	ACTIVE	INACTIVE
4 LB60-28	TRIP COMPUTER KEYBOARD ILLUMINATION	LIGHTS ON: GROUND	LIGHTS OFF: 12V
27 LB60-29	CLOCK ILLUMINATION POWER	12V	12V



BATTERY POWER (FIGS 1/L, 1/R)
 IGNITION POWER (FIG 2)
 IGNITION SWITCHED GROUND (FIG 3)
 LOGIC GROUND (FIG 4)
 CPU INPUTS / OUTPUTS (FIG 5)
 FIG NUMBER REFERENCE

NOTES: CIGAR LIGHTERS — FIG 17
 TRANS. MODE SWITCH, GEAR POSITION INDICATORS — FIG 31

FIG 12 DATA

COMPONENTS

DESCRIPTION	LOCATION	ACCESS
COLUMN SWITCH GEAR (CYCLE SWITCH)	STEERING COLUMN	LEFT DASH UNDER PANEL
COOLANT TEMPERATURE SENSOR	TURN SIGNAL SWITCH STALK END BUTTON	—
FUEL LEVEL SENSOR	THERMOSTAT HOUSING — ENGINE	ENGINE COMPARTMENT
INSTRUMENT PACK	FUEL TANK	BEHIND SPARE TIRE, TRUNK
OIL PRESSURE SENSOR	DRIVER'S SIDE FASCIA	—
TRIP COMPUTER KEYBOARD	ENGINE, LEFT, BELOW INTAKE	ENGINE COMPARTMENT
	RIGHT FASCIA BY STEERING WHEEL	—

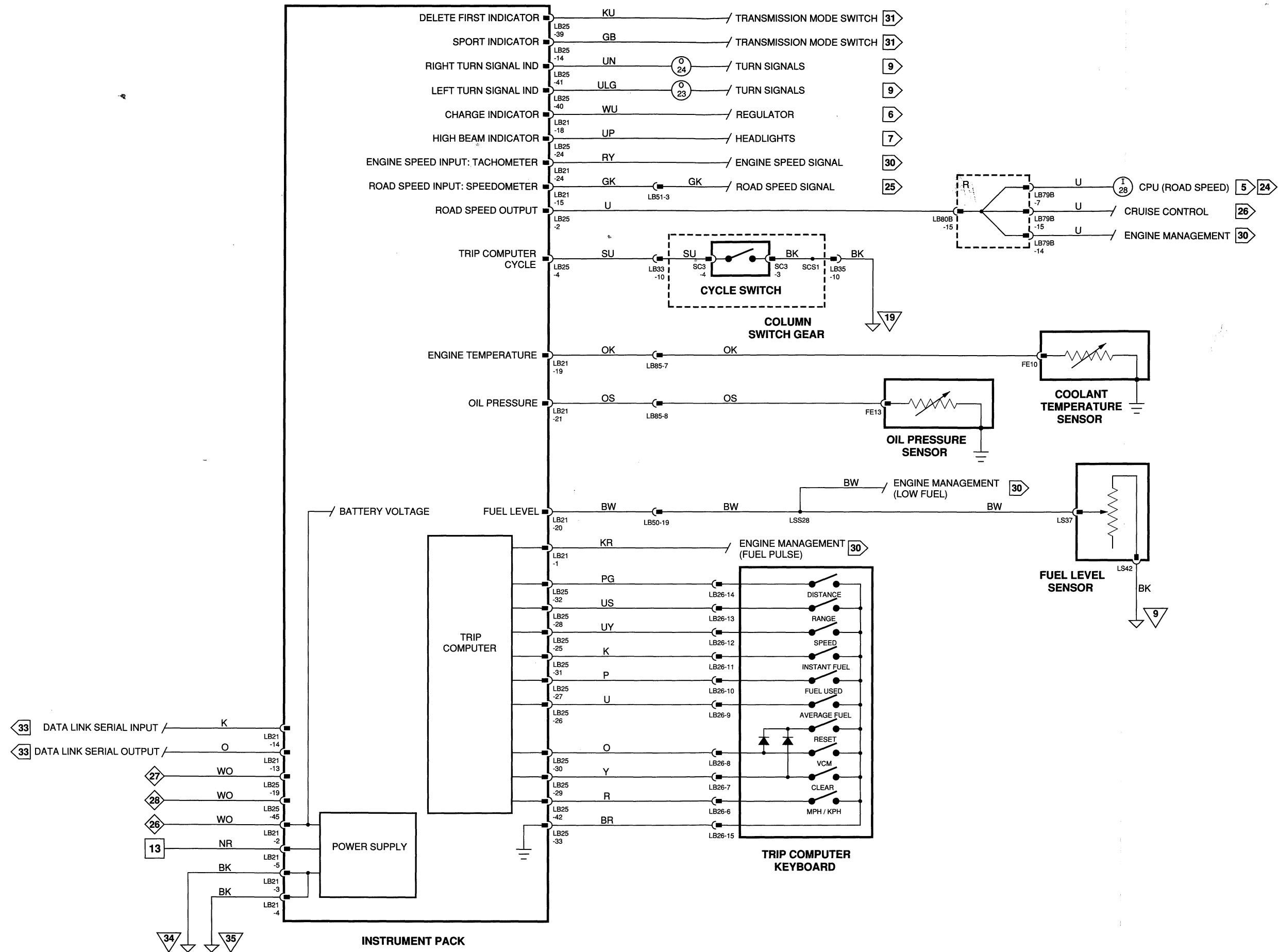
CONNECTORS

CODE	DESCRIPTION	LOCATION / INTERFACE
FE10	.250 BLADE (WHITE)	MOUNTED ON THERMOSTAT HOUSING NEAR TOP HOSE / COOLANT TRANSMITTER
FE13	.250 BLADE (WHITE)	BELOW INTAKE PORT #2 / OIL PRESSURE TRANSMITTER
LB21	24-WAY AMP PCB SIGNAL (BLACK)	BEHIND INSTRUMENT PACK AT FASCIA / INSTRUMENT PACK
LB25	48-WAY AMP PCB SIGNAL (BLACK)	BEHIND INSTRUMENT PACK AT FASCIA / INSTRUMENT PACK
LB26	18-WAY MULTILOCK 70 (YELLOW)	REAR OF TRIP COMPUTER BY STEERING COLUMN / TRIP COMPUTER
LB33	12-WAY MULTILOCK 40 (GREEN)	LOWER RIGHT OF STEERING COLUMN / STEERING COLUMN CYCLE SWITCH
LB35	12-WAY MULTILOCK 40 (BLACK)	LOWER RIGHT OF STEERING COLUMN / STEERING COLUMN SWITCH GEAR
LB50	20-WAY MULTILOCK 40 (BLACK)	BENEATH LEFT REAR SEAT BOX SECTION / REAR HARNESS
LB51	12-WAY MULTILOCK 70 (WHITE)	BENEATH LEFT REAR SEAT BOX SECTION / REAR HARNESS
LB79B	16-WAY MULTILOCK 40 (BLACK)	RIGHT BLOWER MOTOR, ABOVE VACUUM VALVE / RIGHT SPLICE BOX
LB80B	16-WAY MULTILOCK 40 (GREEN)	RIGHT BLOWER MOTOR, ABOVE VACUUM VALVE / RIGHT SPLICE BOX
LB85	20-WAY MULTILOCK 70 (WHITE)	RIGHT DASH UNDER PANEL BY 'A' POST / BULKHEAD HARNESS
LS37	.250 BLADE (WHITE)	FUEL SENDER UNIT BEHIND SPARE TIRE / FUEL LEVEL TRANSMITTER
LS42	.250 BLADE (WHITE)	FUEL SENDER UNIT BEHIND SPARE TIRE / FUEL LEVEL TRANSMITTER GROUND
SC3	6-WAY PMHD (BLUE)	STEERING COLUMN SWITCH GEAR, LEFT / TURN SIGNAL SWITCH

INPUTS / OUTPUTS

INSTRUMENT PACK

CODE	IN / OUT	CIRCUIT	ACTIVE	INACTIVE
LB21-1	INPUT	FUEL PULSE CALCULATION	IDLE: 8V	INCREASES WITH ENGINE LOAD & RPM
LB21-2	INPUT	IGNITION SWITCHED POWER	KEY ON: 12V	KEY OFF: OPEN CIRCUIT
LB21-3	INPUT	LOGIC GROUND	GROUND	GROUND
LB21-4	INPUT	LOGIC GROUND	GROUND	GROUND
LB21-5	INPUT	BATTERY POWER	12V	12V
LB21-13	OUTPUT	SERIAL COMMUNICATIONS DATA LINK OUTPUT	JDS	—
LB21-14	OUTPUT	SERIAL COMMUNICATIONS DATA LINK OUTPUT	JDS	—
LB21-15	INPUT	ROAD SPEED	10 MPH: 105 mV AC	20 MPH: 210 mV AC
LB21-18	INPUT	VOLTAGE REGULATOR	LIGHTS ON: GROUND	LIGHTS OFF: 12V
LB21-19	INPUT	COOLANT TEMPERATURE SENSOR	LIGHTS ON: GROUND	SENSOR DISCONNECTED: 12V
LB21-20	INPUT	FUEL LEVEL TRANSMITTER	TANK FULL: GROUND	TANK EMPTY: 12V
LB21-21	INPUT	ENGINE OIL PRESSURE	LIGHT ON: 7V	LIGHT OFF: 5V
LB21-24	INPUT	ENGINE SPEED (TACHOMETER)	PULSED SIGNAL	VARIABLES WITH RPM
LB25-2	OUTPUT	ROAD SPEED	0 MPH: 5V	10 MPH: 2.7V / PULSE TO GROUND
LB25-4	INPUT	TRIP COMPUTER CYCLE SWITCH	SWITCH RELEASED: 12V	PRESSED: GROUND
LB25-14	INPUT	TRANSMISSION MODE SWITCH	SPORT: GROUND	NORMAL / DELETE: 12V
LB25-19	INPUT	IGNITION SWITCHED POWER	KEY ON: 12V	KEY OFF: OPEN CIRCUIT
LB25-24	INPUT	HIGH BEAM INDICATOR	HIGH BEAMS ON: GROUND	OFF: 12V
LB25-25	INPUT	TRIP COMPUTER: AVERAGE SPEED	PRESSED: GROUND	RELEASED: 12V
LB25-26	INPUT	TRIP COMPUTER: AVERAGE FUEL MPG	PRESSED: GROUND	RELEASED: 12V
LB25-27	INPUT	TRIP COMPUTER: FUEL USED	PRESSED: GROUND	RELEASED: 12V
LB25-28	INPUT	TRIP COMPUTER: RANGE	PRESSED: GROUND	RELEASED: 12V
LB25-29	INPUT	TRIP COMPUTER: CLEAR DISPLAY	PRESSED: GROUND	RELEASED: 12V
LB25-30	INPUT	TRIP COMPUTER: RESET	PRESSED: GROUND	RELEASED: 12V
LB25-31	INPUT	TRIP COMPUTER: INSTANT FUEL USE	PRESSED: GROUND	RELEASED: 12V
LB25-32	INPUT	TRIP COMPUTER: DISTANCE TRAVELED	PRESSED: GROUND	RELEASED: 12V
LB25-33	INPUT	TRIP COMPUTER: GROUND	GROUND	GROUND
LB25-39	INPUT	TRANSMISSION MODE SWITCH	FIRST GEAR DELETE: GROUND	SPORT / NORMAL: 12V
LB25-40	INPUT	LEFT TURN SIGNAL	PULSE TO GROUND	12V
LB25-41	INPUT	RIGHT TURN SIGNAL	PULSE TO GROUND	12V
LB25-42	INPUT	TRIP COMPUTER: MPH/KPH	PRESSED: GROUND	RELEASED: 12V
LB25-45	INPUT	IGNITION SWITCHED POWER	KEY ON: 12V	KEY OFF: OPEN CIRCUIT



BATTERY POWER (FIGS 1/L, 1/R)
 IGNITION POWER (FIG 2)
 IGNITION SWITCHED GROUND (FIG 3)
 LOGIC GROUND (FIG 4)
 CPU INPUTS / OUTPUTS (FIG 5)
 FIG NUMBER REFERENCE

FIG 13 DATA

COMPONENTS

DESCRIPTION

BRAKE PAD — LEFT REAR
 BRAKE PAD — RIGHT REAR
 BRAKE SWITCH
 CENTRAL MICROPROCESSOR
 DIODE — LBD1
 ENGINE COOLANT LEVEL SENSOR
 HAND BRAKE SWITCH
 INSTRUMENT PACK
 TRUNK SWITCH
 WASHER FLUID LEVEL SENSOR

LOCATION

BRAKE DISC, LR
 BRAKE DISC, RR
 ABOVE BRAKE PEDAL
 BEHIND GLOVE BOX
 EXPOSED IN BULK. HARNESS BEHIND INST. PACK
 COOLANT RESERVOIR, LEFT INNER FENDER
 BENEATH HAND BRAKE
 DRIVER'S SIDE FASCIA
 RIGHT FRONT WHEEL ARCH BEHIND PANEL

ACCESS

LR WHEEL, BENEATH VEHICLE
 RR WHEEL, BENEATH VEHICLE
 LEFT DASH UNDER PANEL
 RIGHT DASH UNDER PANEL
 8" BEHIND INST. PACK CONNECTOR LB25
 ENGINE COMPARTMENT
 CARPET/TRIM
 —
 WHEEL ARCH PANEL

CONNECTORS

CODE DESCRIPTION

FA1 GROTE AND HARTMAN (BLACK)
 HL1 .250 BLADE (WHITE)
 LB10 20-WAY MULTILOCK 40 (BLACK)
 LB11 20-WAY MULTILOCK 40 (BLACK)
 LB21 24-WAY AMP PCB SIGNAL (BLACK)
 LB22A 12-WAY MULTILOCK 40 (BLACK)
 LB23A 12-WAY MULTILOCK 40 (BLUE)
 LB24A 12-WAY MULTILOCK 40 (GREEN)
 LB24B 16-WAY MULTILOCK 40 (GREEN)
 LB25 48-WAY AMP PCB SIGNAL (BLACK)
 LB29 4-WAY MULTILOCK 70 (WHITE)
 LB41 2-WAY MULTILOCK 40 (BLACK)
 LB42 10-WAY MULTILOCK 70 (WHITE)
 LB48 13-WAY AMP MK4 (BROWN)
 LB50 20-WAY MULTILOCK 40 (BLACK)
 LB51 12-WAY MULTILOCK 70 (WHITE)
 LB52 12-WAY MULTILOCK 70 (BLACK)
 LB53 12-WAY MULTILOCK 70 (WHITE)
 LB60 48-WAY AMP PCB SIGNAL (YELLOW)
 LB61 48-WAY AMP PCB SIGNAL (BLACK)
 LB79A 12-WAY MULTILOCK 40 (BLACK)
 LB87 20-WAY MULTILOCK 40 (GREEN)
 LS15 PM 5 (BLACK)
 LS67 PM 5 (BROWN)
 RA2 GROTE AND HARTMAN (BLACK)
 RS13 4-WAY ECONOSEAL III LC (BLACK)
 RS47 8-WAY MULTILOCK 70 (WHITE)
 RS52 GROTE AND HARTMAN (BLACK)
 DSM8 2-WAY MULTILOCK 70 (BLACK)

LOCATION / INTERFACE

LEFT FRONT INNER WHEEL ARCH / LEFT FRONT AXLE HARNESS
 BENEATH HAND BRAKE / HAND BRAKE MICRO SWITCH
 REAR FACE OF LEFT BLOWER, UNDER FASCIA / BULKHEAD TO LF HARNESS
 REAR FACE OF LEFT BLOWER, UNDER FASCIA / BULKHEAD TO LF HARNESS
 BEHIND INSTRUMENT PACK AT FASCIA / INSTRUMENT PACK
 LEFT BLOWER MOTOR HOUSING BRACKET / LEFT SPLICE BOX
 LEFT BLOWER MOTOR HOUSING BRACKET / LEFT SPLICE BOX
 LEFT BLOWER MOTOR HOUSING BRACKET / LEFT SPLICE BOX
 LEFT BLOWER MOTOR HOUSING BRACKET / LEFT SPLICE BOX
 BEHIND INSTRUMENT PACK AT FASCIA / INSTRUMENT PACK
 LOWER STEERING COLUMN, ABOVE BRAKE PEDAL / BRAKE/CRUISE SWITCH
 BENEATH HAND BRAKE LEVER / HAND BRAKE MICRO SWITCH
 FRONT OF DRIVER'S SEAT BY SEAT AND MIRRORS ECU / BULKHEAD TO SEAT HARNESS
 CENTER CONSOLE, BELOW FUSE PANEL / CENTER FUSE PANEL
 BENEATH LEFT REAR SEAT BOX SECTION / REAR HARNESS
 BENEATH LEFT REAR SEAT BOX SECTION / REAR HARNESS
 BENEATH RIGHT REAR SEAT BOX SECTION / REAR HARNESS
 BENEATH RIGHT REAR SEAT BOX SECTION / BULKHEAD TO REAR HARNESS
 BEHIND GLOVE BOX ON CPU / CENTRAL MICROPROCESSOR
 BEHIND GLOVE BOX ON CPU / CENTRAL MICROPROCESSOR
 RIGHT BLOWER MOTOR, ABOVE VACUUM VALVE / RIGHT SPLICE BOX
 REAR FACE OF RIGHT BLOWER, UNDER FASCIA / BULKHEAD TO RF HARNESS
 LEFT INNER FENDER BY COOLANT RESERVOIR / COOLANT LEVEL SENSOR
 LEFT FRONT INNER FENDER / LF BRAKE PAD SENSOR
 RIGHT REAR AXLE / BENEATH RR OF VEHICLE
 RF WHEEL ARCH, BEHIND PANEL / WINDSHIELD WASH FLUID LEVEL SENSOR
 TRUNK, RIGHT, BEHIND BATTERY / REAR HARNESS
 BEHIND TRUNK LID TRIM PANEL / TRUNK MICRO SWITCH
 BENEATH DRIVER'S SEAT CUSHION / DRIVER'S SEAT BELT SWITCH

INPUTS / OUTPUTS

INSTRUMENT PACK

CODE	IN / OUT	CIRCUIT	ACTIVE	INACTIVE
LB21-2	INPUT	IGNITION SWITCHED POWER	KEY ON: 12V	KEY OFF: OPEN CIRCUIT
LB21-3	INPUT	LOGIC GROUND	GROUND	GROUND
LB21-4	INPUT	LOGIC GROUND	GROUND	GROUND
LB21-5	INPUT	BATTERY POWER	12V	12V
LB21-7	INPUT	ABS FAILURE	FAULT PRESENT: GROUND	5V
LB21-13	OUTPUT	SERIAL COMMUNICATIONS DATA LINK OUTPUT	JDS	—
LB21-14	INPUT	SERIAL COMMUNICATIONS DATA LINK INPUT	JDS	—
LB25-7	OUTPUT	BRAKE PAD SUPPLY	12V	12V
LB25-8	INPUT	LOW BRAKE PRESSURE	LIGHT ON: GROUND	LIGHT OFF: 12V
LB25-10	INPUT	LOW BRAKE FLUID	LIGHT ON: GROUND	LIGHT OFF: 12V
LB25-11	INPUT	STOP LIGHTS	BRAKES APPLIED: GROUND	BRAKES OFF: 12V
LB25-12	INPUT	FUSE FAIL — CENTER FUSE PANEL	FUSE FAIL: 1.5V	FUSES O.K.: 9V
LB25-13	INPUT	LOW WASHER FLUID LEVEL	LIGHT ON: GROUND	LIGHT OFF: 12V
LB25-15	INPUT	SEAT BELT	LIGHT ON: GROUND	LIGHT OFF: 12V
LB25-16	INPUT	TRUNK OPEN	LIGHT ON: GROUND	LIGHT OFF: 12V
LB25-17	INPUT	PARKING BRAKE	LIGHT ON: GROUND	LIGHT OFF: 12V
LB25-18	INPUT	TURN SIGNAL BULB FAIL	LIGHT ON: GROUND	LIGHT OFF: 12V
LB25-19	INPUT	IGNITION SWITCHED POWER	KEY ON: 12V	KEY OFF: OPEN CIRCUIT
LB25-20	INPUT	LEFT REAR DOOR OPEN	DOOR OPEN: GROUND	DOOR CLOSED: 12V
LB25-21	INPUT	RIGHT REAR DOOR OPEN	DOOR OPEN: GROUND	DOOR CLOSED: 12V
LB25-22	INPUT	OBD FUELING FAULT	FAULT PRESENT: GROUND	NO FAULTS: 12V
LB25-34	INPUT	BRAKE PAD WEAR SENSOR	PAD WORN: GROUND	PAD O.K.: 12V
LB25-35	INPUT	FUSE FAIL — RIGHT FUSE PANEL	FUSE FAIL: 1.5V	FUSES O.K.: 9V
LB25-36	INPUT	FUSE FAIL — LEFT FUSE PANEL	FUSE FAIL: 1.5V	FUSES O.K.: 9V
LB25-37	INPUT	LOW COOLANT LEVEL	SENSOR DISCONNECTED: 12V	SENSOR CONNECTED: GROUND
LB25-43	INPUT	GENERAL BULB FAILURE	BULB FAILURE: GROUND	BULBS O.K.: 12V
LB25-44	INPUT	TRANSMISSION ELECTRICS FAILURE	FAILURE PRESENT: 12V	NO FAILURE: OPEN CIRCUIT
LB25-45	INPUT	IGNITION SWITCHED POWER	KEY ON: 12V	KEY OFF: OPEN CIRCUIT
LB25-46	INPUT	DRIVER'S DOOR OPEN	DOOR OPEN: GROUND	DOOR CLOSED: 12V
LB25-47	INPUT	PASSENGER'S DOOR OPEN	DOOR OPEN: GROUND	DOOR CLOSED: 12V

CENTRAL MICROPROCESSOR

INPUTS		ACTIVE	INACTIVE
CODE	CIRCUIT	KEY ON: 12V	KEY OFF: OPEN CIRCUIT
17 LB61-24	IGNITION SWITCHED POWER	SEAT BELT UNLATCHED: GROUND	BELT LATCHED: OPEN CIRCUIT
17 LB61-43	SEAT BELT WARNING		
OUTPUTS		ACTIVE	INACTIVE
CODE	CIRCUIT	5-SEC WARNING LIGHT ON: GROUND	WARNING LIGHT OFF: 12V
18 LB60-37	SEAT BELT WARNING INDICATOR (KEY ON)		

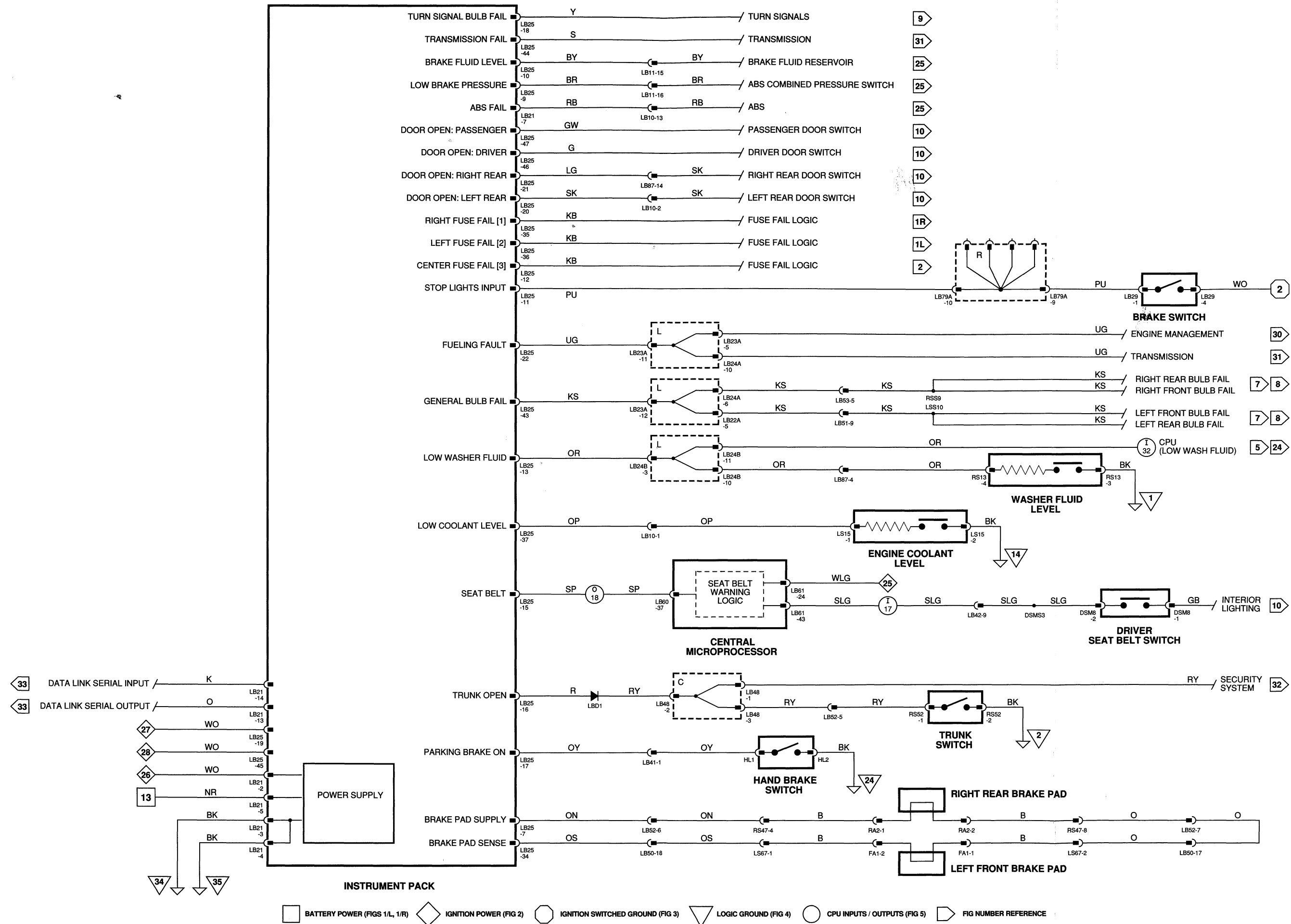


FIG 14 DATA

COMPONENTS

DESCRIPTION	LOCATION	ACCESS
CENTRAL MICROPROCESSOR	BEHIND GLOVE BOX	RIGHT DASH UNDER PANEL
COLUMN SWITCH GEAR (KEY-IN SWITCH) (SPEAKER) (TURN SIGNAL SWITCHES)	STEERING COLUMN IGNITION SWITCH STEERING COLUMN ABOVE IGNITION SWITCH STEERING COLUMN, LEFT	LEFT DASH UNDER PANEL STEERING COLUMN LOWER COWL STEERING COLUMN LOWER
DOOR SWITCH — DRIVER	DRIVER'S DOOR LATCH	— DRIVER'S DOOR CASING
FASCIA SWITCH PACK	FASCIA	—
SEAT BELT SWITCH — DRIVER	DRIVER'S SEAT BELT ANCHOR	LEFT SIDE

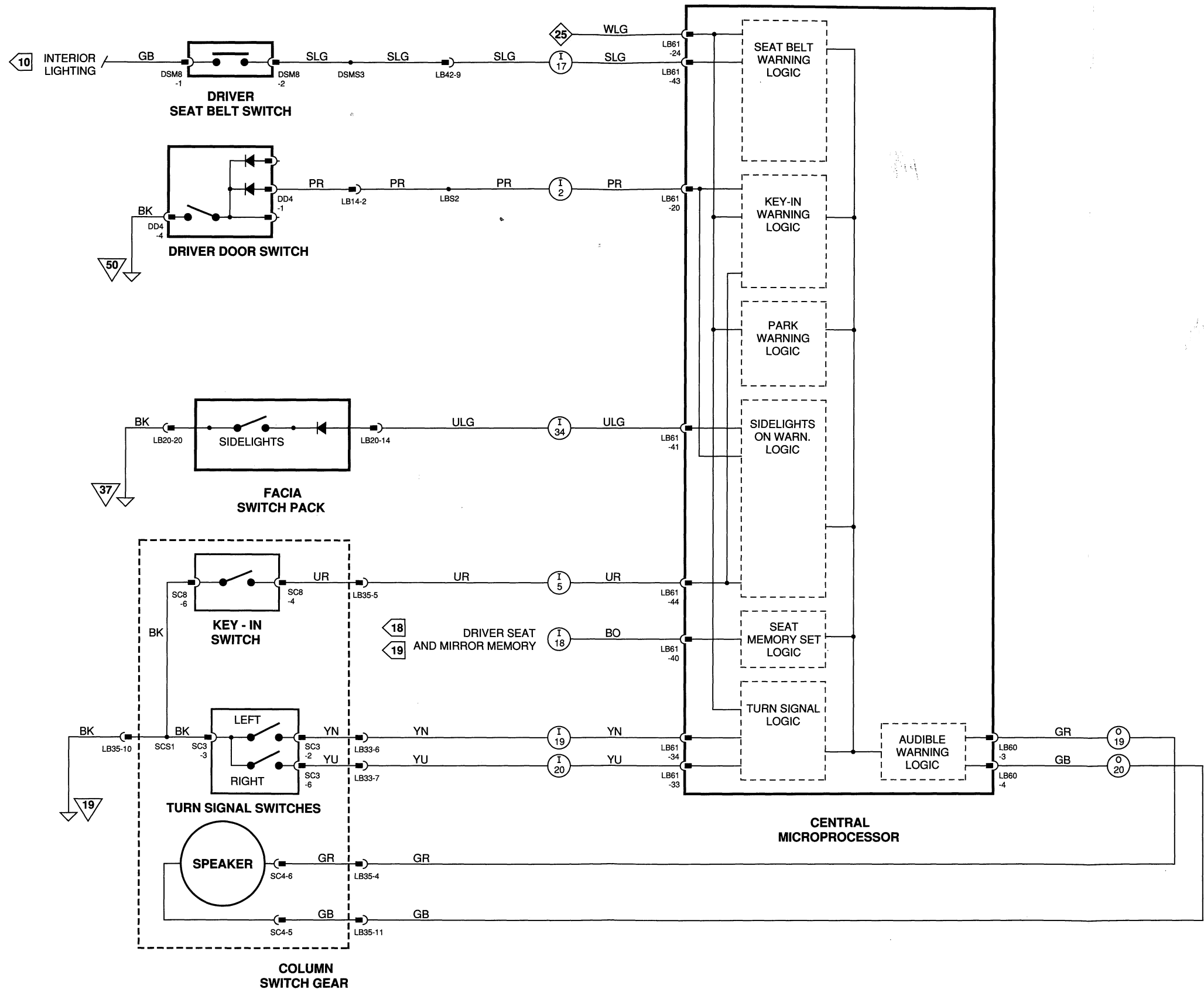
CONNECTORS

CODE	DESCRIPTION	LOCATION / INTERFACE
DD4	4-WAY ECONOSEAL III LC (BLACK)	DRIVER'S DOOR, BOTTOM REAR / DRIVER'S DOOR SWITCH
LB14	20-WAY MULTILOCK 40 (GREEN)	LEFT 'A' POST BOX SECTION / BULKHEAD HARNESS
LB20	20-WAY MULTILOCK 40 (BLUE)	LEFT DASH UNDER PANEL, BELOW FASCIA / FASCIA SWITCH PACK
LB33	12-WAY MULTILOCK 40 (GREEN)	LOWER RIGHT OF STEERING COLUMN / STEERING COLUMN CYCLE SWITCH
LB35	12-WAY MULTILOCK 40 (BLACK)	LOWER RIGHT OF STEERING COLUMN / STEERING COLUMN SWITCH GEAR
LB42	10-WAY MULTILOCK 70 (WHITE)	FRONT OF DRIVER'S SEAT BY SEAT AND MIRRORS ECU / BULKHEAD TO SEAT HARNESS
LB60	48-WAY AMP PCB SIGNAL (YELLOW)	BEHIND GLOVE BOX ON CPU / CENTRAL MICROPROCESSOR
LB61	48-WAY AMP PCB SIGNAL (BLACK)	BEHIND GLOVE BOX ON CPU / CENTRAL MICROPROCESSOR
SC3	6-WAY PMHD (BLUE)	STEERING COLUMN SWITCH GEAR, LEFT / TURN SIGNAL SWITCH
SC4	6-WAY PMHD (BROWN)	STEERING COLUMN SWITCH GEAR; RIGHT / AUDIBLE WARNING SPEAKER
SC8	6-WAY PMHD (PURPLE)	STEERING COLUMN SWITCH GEAR; RIGHT / KEY IN SWITCH
DSM8	2-WAY MULTILOCK 70 (BLACK)	BENEATH DRIVER'S SEAT CUSHION / DRIVER'S SEAT BELT SWITCH

INPUTS / OUTPUTS

CENTRAL MICROPROCESSOR

INPUTS		ACTIVE	INACTIVE
2	LB61-20	DRIVER'S DOOR SWITCH	DOOR CLOSED: 5V
5	LB61-44	IGNITION KEY IN SWITCH	KEY OUT: OPEN CIRCUIT
	LB61-24	IGNITION SWITCHED POWER	KEY OFF: OPEN CIRCUIT
17	LB61-43	SEAT BELT WARNING	BELT LATCHED: OPEN CIRCUIT
18	LB61-40	SEAT MEMORY AUDIBLE TONE	BUTTONS RELEASED: OPEN CIRCUIT
19	LB61-34	LEFT TURN SIGNAL SWITCH	TURN STALK CENTERED: OPEN CIRCUIT
20	LB61-33	RIGHT TURN SIGNAL SWITCH	TURN STALK CENTERED: OPEN CIRCUIT
OUTPUTS		ACTIVE	INACTIVE
19	LB60-3	AUDIBLE WARNINGS (KEY ON)	TURN SIGNALS ON: EXAMPLE .012 – .021V
20	LB60-4	AUDIBLE WARNINGS (KEY ON)	TURN SIGNALS ON: EXAMPLE .012 – .021V



BATTERY POWER (FIGS 1/L, 1/R)
 IGNITION POWER (FIG 2)
 IGNITION SWITCHED GROUND (FIG 3)
 LOGIC GROUND (FIG 4)
 CPU INPUTS / OUTPUTS (FIG 5)
 FIG NUMBER REFERENCE

FIG 14 DATA

COMPONENTS

DESCRIPTION	LOCATION	ACCESS
CENTRAL MICROPROCESSOR	BEHIND GLOVE BOX	RIGHT DASH UNDER PANEL
COLUMN SWITCH GEAR (KEY-IN SWITCH) (SPEAKER) (TURN SIGNAL SWITCHES)	STEERING COLUMN IGNITION SWITCH STEERING COLUMN ABOVE IGNITION SWITCH	LEFT DASH UNDER PANEL STEERING COLUMN LOWER COWL STEERING COLUMN LOWER
DOOR SWITCH — DRIVER	STEERING COLUMN, LEFT	—
FASCIA SWITCH PACK	DRIVER'S DOOR LATCH	DRIVER'S DOOR CASING
SEAT BELT SWITCH — DRIVER	FASCIA DRIVER'S SEAT BELT ANCHOR	— LEFT SIDE

CONNECTORS

CODE	DESCRIPTION	LOCATION / INTERFACE
DD4	4-WAY ECONOSEAL III LC (BLACK)	DRIVER'S DOOR, BOTTOM REAR / DRIVER'S DOOR SWITCH
LB14	20-WAY MULTILOCK 40 (GREEN)	LEFT 'A' POST BOX SECTION / BULKHEAD HARNESS
LB20	20-WAY MULTILOCK 40 (BLUE)	LEFT DASH UNDER PANEL, BELOW FASCIA / FASCIA SWITCH PACK
LB33	12-WAY MULTILOCK 40 (GREEN)	LOWER RIGHT OF STEERING COLUMN / STEERING COLUMN CYCLE SWITCH
LB35	12-WAY MULTILOCK 40 (BLACK)	LOWER RIGHT OF STEERING COLUMN / STEERING COLUMN SWITCH GEAR
LB42	10-WAY MULTILOCK 70 (WHITE)	FRONT OF DRIVER'S SEAT BY SEAT AND MIRRORS ECU / BULKHEAD TO SEAT HARNESS
LB60	48-WAY AMP PCB SIGNAL (YELLOW)	BEHIND GLOVE BOX ON CPU / CENTRAL MICROPROCESSOR
LB61	48-WAY AMP PCB SIGNAL (BLACK)	BEHIND GLOVE BOX ON CPU / CENTRAL MICROPROCESSOR
SC3	6-WAY PMHD (BLUE)	STEERING COLUMN SWITCH GEAR, LEFT / TURN SIGNAL SWITCH
SC4	6-WAY PMHD (BROWN)	STEERING COLUMN SWITCH GEAR, RIGHT / AUDIBLE WARNING SPEAKER
SC8	6-WAY PMHD (PURPLE)	STEERING COLUMN SWITCH GEAR, RIGHT / KEY IN SWITCH
DSM8	2-WAY MULTILOCK 70 (BLACK)	BENEATH DRIVER'S SEAT CUSHION / DRIVER'S SEAT BELT SWITCH

INPUTS / OUTPUTS

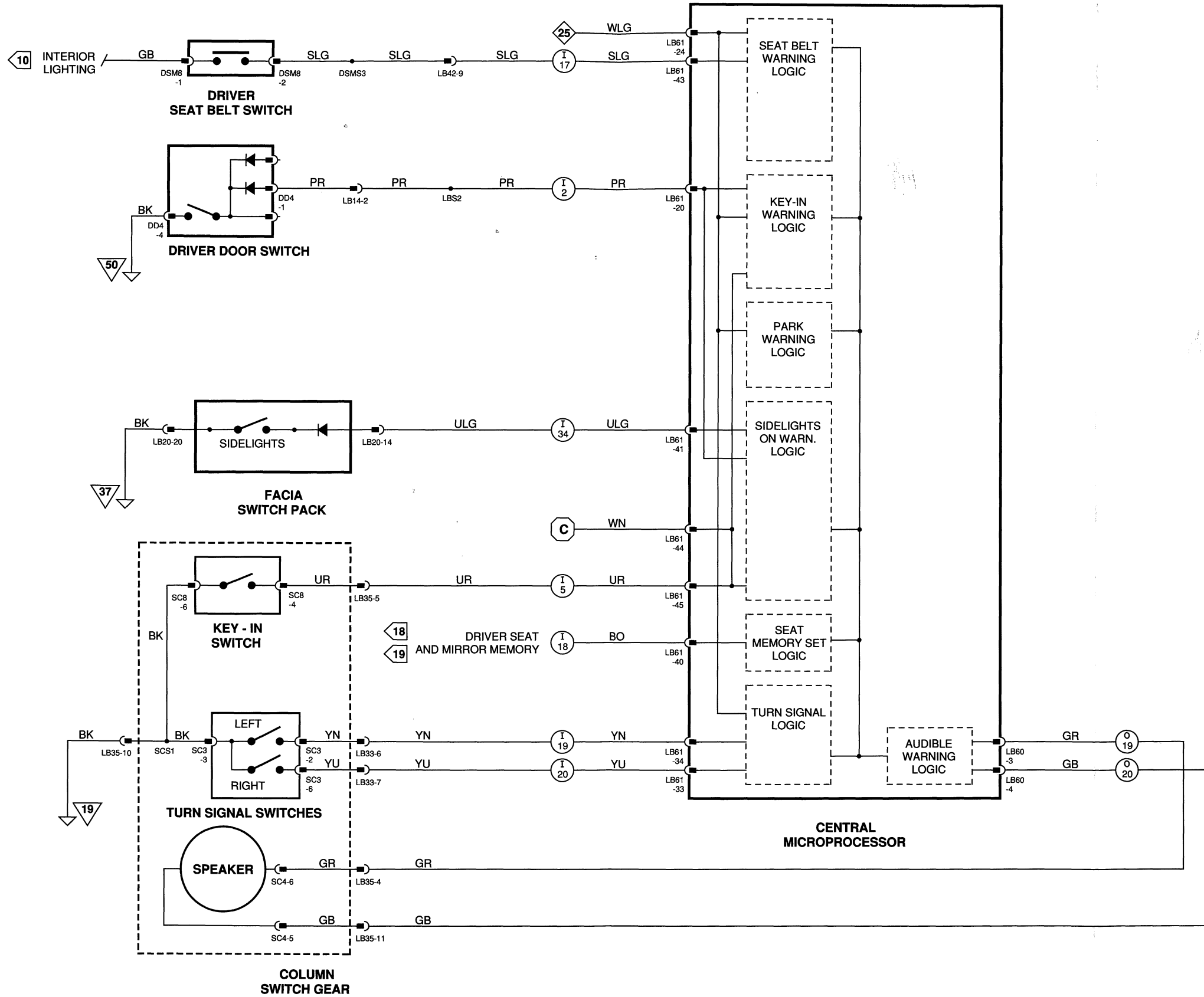
CENTRAL MICROPROCESSOR

INPUTS

CODE	CIRCUIT	ACTIVE	INACTIVE
2 LB61-20	DRIVER'S DOOR SWITCH	DOOR OPEN: GROUND	DOOR CLOSED: 5V
5 LB61-44	IGNITION KEY IN SWITCH	KEY IN: GROUND	KEY OUT: OPEN CIRCUIT
LB61-24	IGNITION SWITCHED POWER	KEY ON: 12V	KEY OFF: OPEN CIRCUIT
17 LB61-43	SEAT BELT WARNING	SEAT BELT UNLATCHED: GROUND	BELT LATCHED: OPEN CIRCUIT
18 LB61-40	SEAT MEMORY AUDIBLE TONE	MEMORY POS. 1 OR 2: GROUNDS TO TONE	BUTTONS RELEASED: OPEN CIRCUIT
19 LB61-34	LEFT TURN SIGNAL SWITCH	LEFT TURN: GROUND	TURN STALK CENTERED: OPEN CIRCUIT
20 LB61-33	RIGHT TURN SIGNAL SWITCH	RIGHT TURN: GROUND	TURN STALK CENTERED: OPEN CIRCUIT

OUTPUTS

CODE	CIRCUIT	ACTIVE	INACTIVE
19 LB60-3	AUDIBLE WARNINGS (KEY ON)	PULSES TO GROUND	TURN SIGNALS ON: EXAMPLE .012 - .021V
20 LB60-4	AUDIBLE WARNINGS (KEY ON)	PULSES TO GROUND	TURN SIGNALS ON: EXAMPLE .012 - .021V



 BATTERY POWER (FIGS 1/L, 1/R)
 IGNITION POWER (FIG 2)
 IGNITION SWITCHED GROUND (FIG 3)
 LOGIC GROUND (FIG 4)
 CPU INPUTS / OUTPUTS (FIG 5)
 FIG NUMBER REFERENCE

NOTE: VIN 673810 ON

FIG 15 DATA

COMPONENTS

DESCRIPTION	LOCATION	ACCESS
CENTER CONSOLE	BETWEEN DRIVER / PASSENGER SEAT	—
CENTRAL MICROPROCESSOR	BEHIND GLOVE BOX	RIGHT DASH UNDER PANEL
DOOR LOCK SWITCH — DRIVER	DRIVER'S DOOR	DRIVER'S DOOR CASING
DOOR LOCK SWITCH — PASSENGER	PASSENGER'S DOOR	PASSENGER'S DOOR CASING
KEY BARREL SWITCH — DRIVER	DRIVER' DOOR, LOWER REAR	DRIVER'S DOOR CASING
KEY BARREL SWITCH — PASSENGER	PASSENGER'S DOOR, LOWER REAR	PASSENGER'S DOOR CASING
LOCK ACTUATOR — DRIVER DOOR	DRIVER'S DOOR, ABOVE PUDDLE LIGHT	DRIVER'S DOOR CASING
LOCK ACTUATOR — FUEL FILLER FLAP	FUEL FILLER FLAP	LEFT REAR TRUNK TRIM
LOCK ACTUATOR — LEFT REAR DOOR	LR DOOR, ABOVE PUDDLE LIGHT	LEFT REAR DOOR CASING
LOCK ACTUATOR — PASSENGER DOOR	PASSENGER'S DOOR, ABOVE PUDDLE LIGHT	PASSENGER'S DOOR CASING
LOCK ACTUATOR — RIGHT REAR DOOR	RR DOOR, ABOVE PUDDLE LIGHT	RIGHT REAR DOOR CASING
LOCK ACTUATOR — TRUNK	TRUNK LID	TRUNK LID TRIM
RELAY MODULE G (G1 — UNLOCK RELAY) (G2 — LOCK RELAY)	RIGHT DASH UNDER PANEL	RIGHT DASH UNDER PANEL
RELAY MODULE L (L2 — TRUNK RELEASE RELAY)	RIGHT REAR WHEEL ARCH	RIGHT TRUNK TRIM
TRUNK RELEASE ACTUATOR	TRUNK LID	TRUNK LID TRIM
TRUNK RELEASE ISOLATION SWITCH	TRUNK LID	TRUNK LID TRIM
TRUNK RELEASE SWITCH	GLOVE BOX	—

CONNECTORS

CODE	DESCRIPTION	LOCATION / INTERFACE
DD3	6-WAY ECONOSEAL III LC (BLACK)	DRIVER'S DOOR, ABOVE PUDDLE LIGHT / DRIVER'S DOOR LOCK MOTOR
DD9	2-WAY ECONOSEAL III LC (BLACK)	DRIVER'S DOOR, BOTTOM REAR / KEY BARREL SWITCH
LB10	20-WAY MULTILOCK 40 (BLACK)	REAR FACE OF LEFT BLOWER, UNDER FASCIA / BULKHEAD TO LF HARNESS
LB11	20-WAY MULTILOCK 40 (BLUE)	REAR FACE OF LEFT BLOWER, UNDER FASCIA / BULKHEAD TO LF HARNESS
LB12	20-WAY MULTILOCK 40 (BLACK)	LEFT 'A' POST BOX SECTION / BULKHEAD HARNESS
LB34	12-WAY MULTILOCK 40 (GREEN)	BEHIND CENTER CONSOLE CLOCK / CENTER CONSOLE SWITCH PANEL
LB40	2-WAY MULTILOCK 40 (GREEN)	BEHIND GLOVE BOX / TRUNK RELEASE SWITCH
LB53	12-WAY MULTILOCK 70 (WHITE)	BENEATH RIGHT REAR SEAT BOX SECTION / BULKHEAD TO REAR HARNESS
LB60	48-WAY AMP PCB SIGNAL (YELLOW)	BEHIND GLOVE BOX ON CPU / CENTRAL MICROPROCESSOR
LB61	48-WAY AMP PCB SIGNAL (BLACK)	BEHIND GLOVE BOX ON CPU / CENTRAL MICROPROCESSOR
LB70	20-WAY AMP PCB POWER (BLUE)	RELAY MOUNTING BRACKET BELOW GLOVE BOX / RELAY MODULE G
LB79A	12-WAY MULTILOCK 40 (BLACK)	RIGHT BLOWER MOTOR, ABOVE VACUUM VALVE / RIGHT SPLICE BOX
LB79B	16-WAY MULTILOCK 40 (BLACK)	RIGHT BLOWER MOTOR, ABOVE VACUUM VALVE / RIGHT SPLICE BOX
LB80A	12-WAY MULTILOCK 40 (GREEN)	RIGHT BLOWER MOTOR, ABOVE VACUUM VALVE / RIGHT SPLICE BOX
LB80B	16-WAY MULTILOCK 40 (GREEN)	RIGHT BLOWER MOTOR, ABOVE VACUUM VALVE / RIGHT SPLICE BOX
LB81A	12-WAY MULTILOCK 40 (BLUE)	RIGHT BLOWER MOTOR, ABOVE VACUUM VALVE / RIGHT SPLICE BOX
LB81B	16-WAY MULTILOCK 40 (BLUE)	RIGHT BLOWER MOTOR, ABOVE VACUUM VALVE / RIGHT SPLICE BOX
LB82	20-WAY MULTILOCK 40 (BLACK)	RIGHT 'A' POST BOX SECTION / BULKHEAD HARNESS
LB88	20-WAY MULTILOCK 40 (BLACK)	REAR FACE OF RIGHT BLOWER, UNDER FASCIA / BULKHEAD TO RF HARNESS
LRD3	2-WAY ECONOSEAL III LC (BLACK)	LR DOOR, ABOVE PUDDLE LIGHT CASING / LR DOOR LOCK MOTOR
LRD9	12-WAY MULTILOCK 40 (BLACK)	LEFT 'B/C' POST BOX SECTION BY SEAT BELT / LR HARNESS
LS41	PM 5 (BLACK)	BELOW FUEL FILLER FLAP IN TRUNK / FUEL FILLER FLAP SOLENOID
PD3	6-WAY ECONOSEAL III LC (BLACK)	PASSENGER'S DOOR, ABOVE PUDDLE LIGHT / PASSENGER'S DOOR LOCK MOTOR
PD9	2-WAY ECONOSEAL III LC (BLACK)	PASSENGER'S DOOR, BOTTOM REAR / KEY BARREL SWITCH
RRD3	2-WAY ECONOSEAL III LC (BLACK)	RR DOOR, ABOVE PUDDLE LIGHT CASING / RR DOOR LOCK MOTOR
RRD9	12-WAY MULTILOCK 40 (BLACK)	RIGHT 'B/C' POST BOX SECTION, BY SEAT BELT / RR HARNESS
RS42	20-WAY AMP PCB POWER (BLACK)	BEHIND AND LEFT OF ANTENNA MOTOR / RELAY MODULE L
RS53	4-WAY MULTILOCK 40 (BLACK)	BEHIND TRUNK LID TRIM PANEL / TRUNK MOTOR/ISOLATION SWITCH
RS75	2-WAY LABINAL (BROWN)	BEHIND TRUNK LID TRIM PANEL / TRUNK RELEASE ACTUATOR

GROUND

CODE	DESCRIPTION	LOCATION / INTERFACE
LBG84A	WHITE EYELET	ABOVE RIGHT FUSE PANEL ON 'A' POST / GROUND
LSG54B	WHITE EYELET	TRUNK, LEFT, BELOW BULB FAIL MODULE / GROUND
RSG62B	WHITE EYELET	TRUNK, RIGHT, BELOW BULB FAIL MODULE / GROUND

INPUTS / OUTPUTS

CENTRAL MICROPROCESSOR

INPUTS		ACTIVE	INACTIVE
7	LB60-26	DOOR KEY BARREL SWITCHES	KEY OUT: OPEN CIRCUIT
8	LB61-2	DOOR LOCK STATE	DOORS UNLOCKED: OPEN CIRCUIT
9	LB60-1	DOOR UNLOCK STATE	DOORS LOCKED: OPEN CIRCUIT
	LB61-25	INERTIA SWITCH (KEY ON)	SWITCH UP: OPEN CIRCUIT
10	LB61-6	PANIC (ALL LOCK/CLOSED SWITCH)(KEY ON)	SWITCH RELEASED: OPEN CIRCUIT
11	LB61-11	NOT USED	
12	LB61-8	TRUNK RELEASE SWITCH	SWITCH RELEASED: OPEN CIRCUIT
41	LB61-38	REMOTE LOCK / UNLOCK	5V
OUTPUTS		ACTIVE	INACTIVE
5	LB60-17	DOOR LOCK OUTPUT	12V
6	LB60-18	DOOR UNLOCK OUTPUT	12V
7	LB60-12	DRIVER'S WINDOW UP (KEY ON)	12V
8	LB60-19	PASSENGER'S WINDOW UP (KEY ON)	12V
9	LB60-23	REAR WINDOWS UP (KEY ON)	12V
10	LB60-8	SUN ROOF CLOSE (KEY ON)	12V
11	LB60-13	TRUNK RELEASE	SWITCH RELEASED: 12V

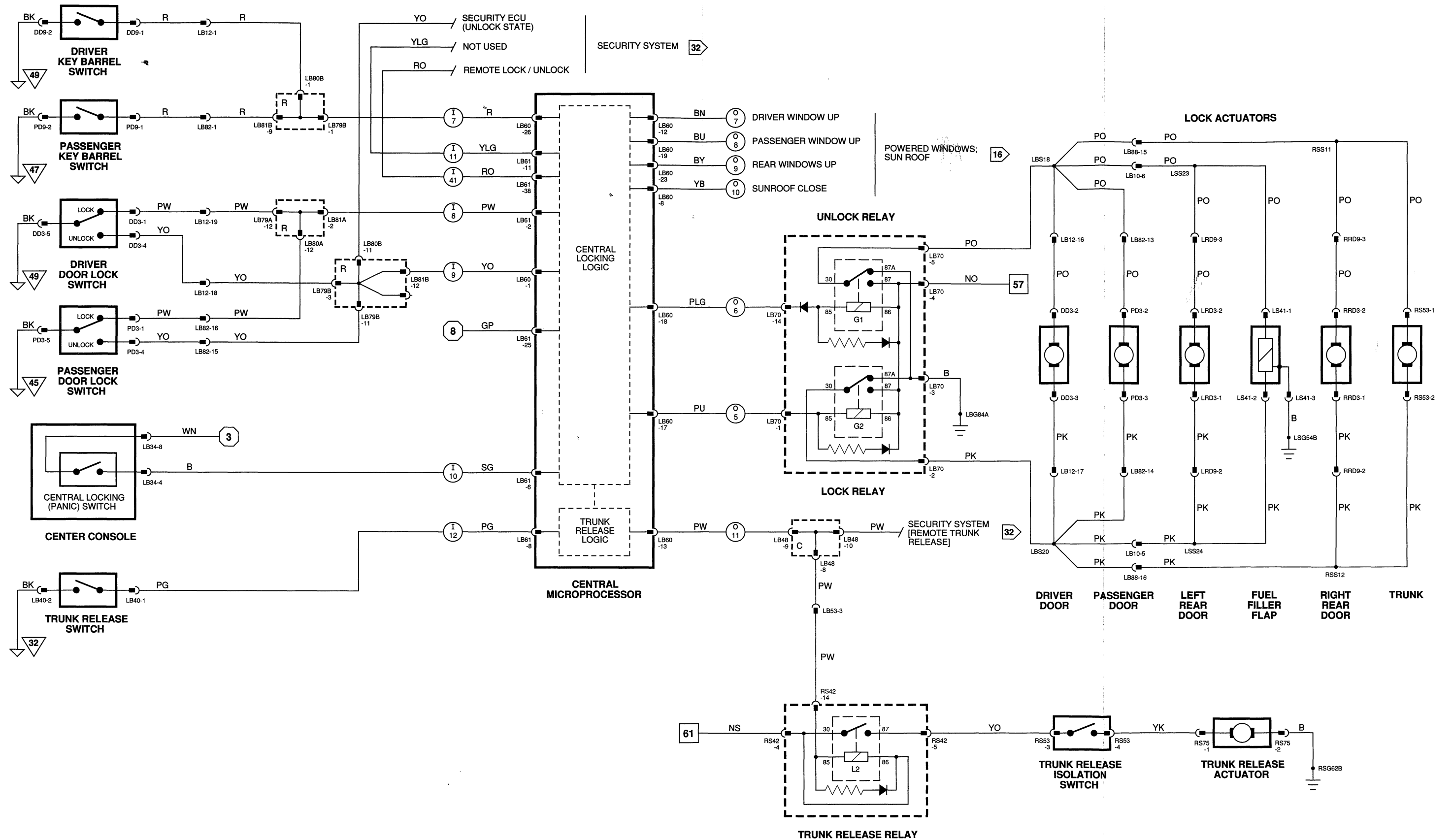


FIG 16 DATA

COMPONENTS

DESCRIPTION	LOCATION	ACCESS
CENTER CONSOLE	BETWEEN DRIVER / PASSENGER SEAT	—
CENTRAL MICROPROCESSOR	BEHIND GLOVE BOX	RIGHT DASH UNDER PANEL
DOOR SWITCH PACK — DRIVER	DRIVER'S DOOR	DRIVER'S DOOR LOWER CASING
DOOR SWITCH PACK — LEFT REAR	LEFT REAR DOOR	LEFT REAR DOOR LOWER CASING
DOOR SWITCH PACK — PASSENGER	PASSENGER'S DOOR	PASSENGER'S DOOR LOWER CASING
DOOR SWITCH PACK — RIGHT REAR	RIGHT REAR DOOR	RIGHT REAR DOOR LOWER CASING
KEY BARREL SWITCH — DRIVER	DRIVER' DOOR, LOWER REAR	DRIVER'S DOOR CASING
KEY BARREL SWITCH — PASSENGER	PASSENGER'S DOOR, LOWER REAR	PASSENGER'S DOOR CASING
SWITCH PACK — SUNROOF	SUNROOF	HEADLINER

CONNECTORS

CODE	DESCRIPTION	LOCATION / INTERFACE
DD1	8-WAY MULTILOCK 70 (WHITE)	DRIVER'S DOOR, BOTTOM OF SWITCH PACK / DRIVER'S DOOR HARNESS
DD2	20-WAY MULTILOCK 40 (BLACK)	DRIVER'S DOOR SWITCH PACK, NEAR FRONT OF DOOR / DRIVER'S DOOR SWITCH PACK
DD5	PM 5 (BLACK)	DRIVER'S DOOR, TOP / DRIVER'S WINDOW MOTOR
DD9	2-WAY ECONOSEAL III LC (BLACK)	DRIVER'S DOOR, BOTTOM REAR / KEY BARREL SWITCH
LB2	4-WAY MULTILOCK 70 (WHITE)	LEFT 'A' POST BOX SECTION / BULKHEAD HARNESS
LB10	20-WAY MULTILOCK 40 (BLACK)	REAR FACE OF LEFT BLOWER, UNDER FASCIA / BULKHEAD TO LF HARNESS
LB12	20-WAY MULTILOCK 40 (BLACK)	LEFT 'A' POST BOX SECTION / BULKHEAD HARNESS
LB14	20-WAY MULTILOCK 40 (GREEN)	LEFT 'A' POST BOX SECTION / BULKHEAD HARNESS
LB18	4-WAY MULTILOCK 70 (YELLOW)	ABOVE MAP LIGHT IN HEADLINER / SUN ROOF SWITCH PACK
LB22B	16-WAY MULTILOCK 40 (BLACK)	LEFT BLOWER MOTOR HOUSING BRACKET / LEFT SPLICE BOX
LB24B	16-WAY MULTILOCK 40 (GREEN)	LEFT BLOWER MOTOR HOUSING BRACKET / LEFT SPLICE BOX
LB34	12-WAY MULTILOCK 40 (GREEN)	BEHIND CENTER CONSOLE CLOCK / CENTER CONSOLE SWITCH PANEL
LB60	48-WAY AMP PCB SIGNAL (YELLOW)	BEHIND GLOVE BOX ON CPU / CENTRAL MICROPROCESSOR
LB61	48-WAY AMP PCB SIGNAL (BLACK)	BEHIND GLOVE BOX ON CPU / CENTRAL MICROPROCESSOR
LB79B	16-WAY MULTILOCK 40 (BLACK)	RIGHT BLOWER MOTOR, ABOVE VACUUM VALVE / RIGHT SPLICE BOX
LB80B	16-WAY MULTILOCK 40 (GREEN)	RIGHT BLOWER MOTOR, ABOVE VACUUM VALVE / RIGHT SPLICE BOX
LB81B	16-WAY MULTILOCK 40 (BLUE)	RIGHT BLOWER MOTOR, ABOVE VACUUM VALVE / RIGHT SPLICE BOX
LB82	20-WAY MULTILOCK 40 (BLACK)	RIGHT 'A' POST BOX SECTION / BULKHEAD HARNESS
LB83	6-WAY MULTILOCK 70 (WHITE)	RIGHT 'A' POST BOX SECTION / BULKHEAD HARNESS
LB87	20-WAY MULTILOCK 40 (GREEN)	REAR FACE OF RIGHT BLOWER, UNDER FASCIA / BULKHEAD TO RF HARNESS
LRD1	12-WAY MULTILOCK 70 (WHITE)	LR DOOR, BOTTOM OF SWITCH PACK / LR DOOR HARNESS
LRD5	PM 5 (BLACK)	LR DOOR, FRONT OF DOOR / LR WINDOW MOTOR
PD1	12-WAY MULTILOCK 70 (WHITE)	PASSENGER'S DOOR, BOTTOM OF SWITCH PACK / PASSENGER'S DOOR HARNESS
PD6	PM 5 (BLACK)	PASSENGER'S DOOR, TOP / PASSENGER'S WINDOW MOTOR
PD9	2-WAY ECONOSEAL III LC (BLACK)	PASSENGER'S DOOR, BOTTOM REAR / KEY BARREL SWITCH
RRD1	12-WAY MULTILOCK 70 (WHITE)	RR DOOR, BOTTOM OF SWITCH PACK / RR DOOR HARNESS
RRD5	PM 5 (BLACK)	RR DOOR, FRONT OF DOOR / RR WINDOW MOTOR
RRD9	12-WAY MULTILOCK 40 (BLACK)	RIGHT 'B/C' POST BOX SECTION, BY SEAT BELT / RR HARNESS
RRD10	2-WAY MULTILOCK 70 (WHITE)	RIGHT 'B/C' POST BOX SECTION, BY SEAT BELT / RR HARNESS
SR1	4-WAY MULTILOCK 70 (WHITE)	ABOVE MAP LIGHT IN ROOF PANEL / SUN ROOF HARNESS
SR2	2-WAY MULTILOCK 70 (WHITE)	ABOVE MAP LIGHT IN ROOF PANEL / SUN ROOF HARNESS

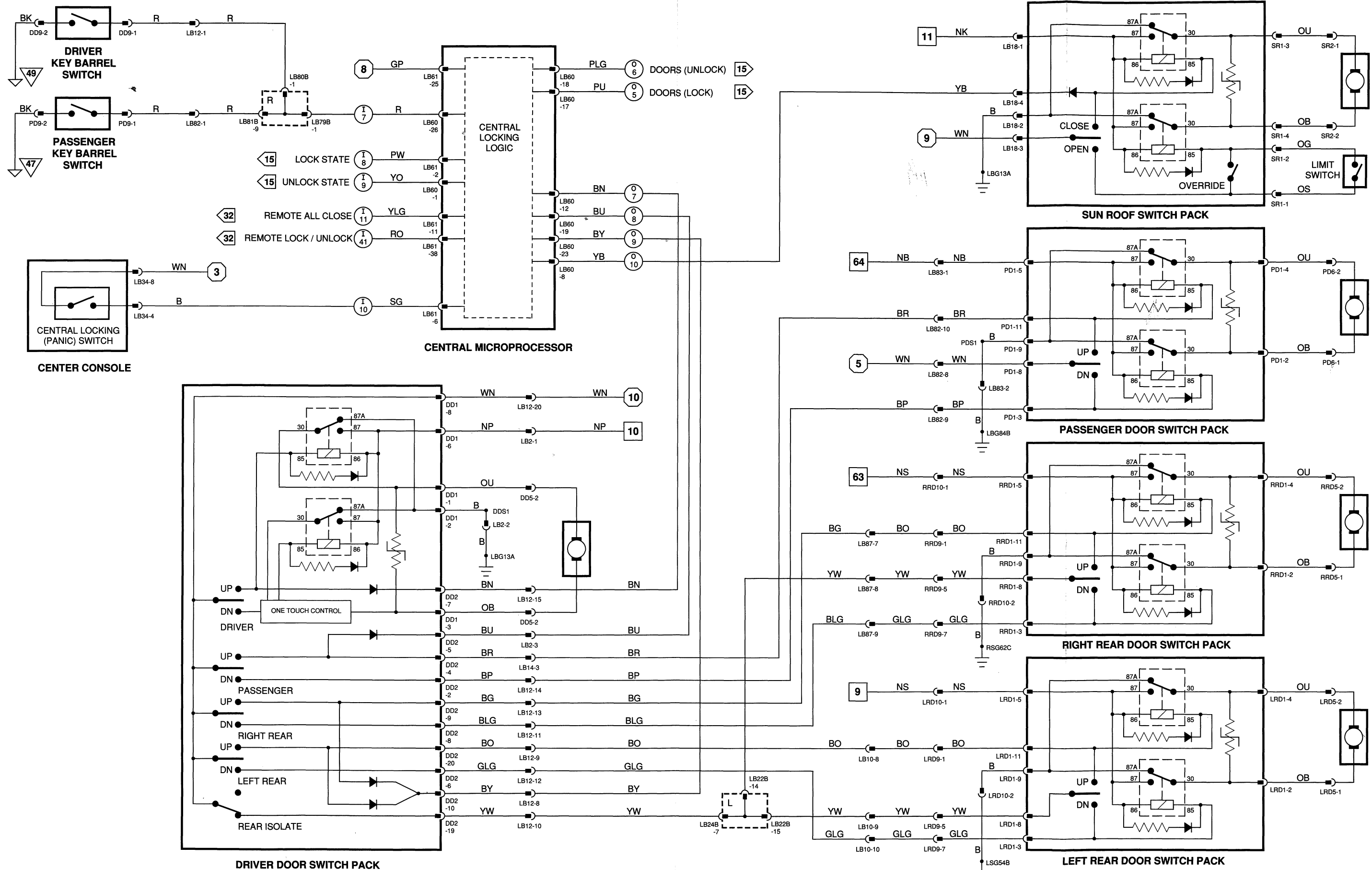
GROUND

CODE	DESCRIPTION	LOCATION / INTERFACE
LBG13A	WHITE EYELET	ABOVE LEFT FUSE PANEL ON 'A' POST / GROUND
LBG84B	WHITE EYELET	ABOVE RIGHT FUSE PANEL ON 'A' POST / GROUND
LSG54B	WHITE EYELET	TRUNK, LEFT, BELOW BULB FAIL MODULE / GROUND
RS62C	WHITE EYELET	TRUNK, RIGHT, BELOW BULB FAIL MODULE / GROUND

INPUTS / OUTPUTS

CENTRAL MICROPROCESSOR

INPUTS		ACTIVE	INACTIVE
7	LB60-26	DOOR KEY BARREL SWITCHES	KEY OUT: OPEN CIRCUIT
8	LB61-2	DOOR LOCK STATE	DOORS LOCKED: OPEN CIRCUIT
9	LB60-1	DOOR UNLOCK STATE	DOORS UNLOCKED: OPEN CIRCUIT
	LB61-25	INERTIA SWITCH (KEY ON)	DOORS LOCKED: OPEN CIRCUIT
10	LB61-6	PANIC (ALL LOCK/CLOSED SWITCH)(KEY ON)	SWITCH UP: OPEN CIRCUIT
11	LB61-11	NOT USED	SWITCH DOWN: OPEN CIRCUIT
41	LB61-38	REMOTE LOCK / UNLOCK	SWITCH RELEASED: OPEN CIRCUIT
			TO UNLOCK: PULSE TO GROUND
			5V
OUTPUTS		ACTIVE	INACTIVE
5	LB60-17	DOOR LOCK OUTPUT	TO LOCK: PULSE TO GROUND
6	LB60-18	DOOR UNLOCK OUTPUT	TO UNLOCK: PULSE TO GROUND
7	LB60-12	DRIVER'S WINDOW UP (KEY ON)	CLOSE: GROUND
8	LB60-19	PASSENGER'S WINDOW UP (KEY ON)	CLOSE: GROUND
9	LB60-23	REAR WINDOWS UP (KEY ON)	CLOSE: GROUND
10	LB60-8	SUN ROOF CLOSE (KEY ON)	CLOSE: GROUND



BATTERY POWER (FIGS 1/L, 1/R)
 IGNITION POWER (FIG 2)
 IGNITION SWITCHED GROUND (FIG 3)
 LOGIC GROUND (FIG 4)
 CPU INPUTS / OUTPUTS (FIG 5)
 FIG NUMBER REFERENCE

FIG 17 DATA

COMPONENTS

DESCRIPTION	LOCATION	ACCESS
CIGAR LIGHTER — FRONT	FRONT OF CENTER CONSOLE IN ASHTRAY	—
CIGAR LIGHTER — REAR	REAR OF CENTER CONSOLE IN ASHTRAY	—
COLUMN SWITCH GEAR (HORN SWITCHES)	STEERING COLUMN	LEFT DASH UNDER PANEL
DIODE — LSD5	STEERING WHEEL	—
GLOVE BOX LIGHT	EXPOSED IN LEFT SIDE FRONT HARNESS	BEHIND LEFT HEADLIGHT
GLOVE BOX SWITCH	GLOVE BOX	—
HOOD LIGHTS	GLOVE BOX	—
HOOD SWITCH	UNDER HOOD PANEL	ENGINE COMPARTMENT
HORN — LEFT	ABOVE LEFT HEADLIGHT	ENGINE COMPARTMENT
HORN — RIGHT	LEFT BUMPER	—
RELAY MODULE D (D3 — HORN RELAY)	RIGHT BUMPER	—
RELAY MODULE H	BEHIND RIGHT HEADLIGHT	ENGINE COMPARTMENT
(H2 — SIDE LIGHTS POSITIVE RELAY)	—	—
(H3 — AUXILIARY SIDE LIGHTS RELAY)	RIGHT DASH UNDER PANEL	RIGHT DASH UNDER PANEL
(H4 — CIGAR LIGHTER RELAY)	—	—
TELEPHONE CONNECTOR	BELOW TRUNK SWITCH, RIGHT REAR HINGE	RIGHT TRUNK TRIM
TRAILER CONNECTOR	ADJACENT TO RIGHT REAR BULB FAIL. MODULE	RIGHT TRUNK TRIM

CONNECTORS

CODE	DESCRIPTION	LOCATION / INTERFACE
BH1	2-WAY SUMITOMO 'A' (WHITE)	FIXED TO RIGHT INSIDE OF HOOD / UNDER HOOD LIGHTS
BH2	2-WAY SUMITOMO 'A' (WHITE)	FIXED TO LEFT INSIDE OF HOOD / UNDER HOOD LIGHTS
CB1	.250 BLADE (BLACK)	CONNECTED TO GLOVE BOX LIGHT / GLOVE BOX LIGHT
CB2	.250 BLADE (BLACK)	CONNECTED TO GLOVE BOX LIGHT / GLOVE BOX LIGHT
CB3	.250 BLADE (BLACK)	CONNECTED TO GLOVE BOX LIGHT SWITCH / GLOVE BOX LIGHT SWITCH
CB4	.250 BLADE (BLACK)	CONNECTED TO GLOVE BOX LIGHT SWITCH / GLOVE BOX LIGHT SWITCH
CL1	.250 BLADE (BLACK)	CENTER CONSOLE, REAR, BEHIND END PANEL / REAR CIGAR LIGHTER
CL2	.250 BLADE (BLACK)	CENTER CONSOLE, REAR, BEHIND END PANEL / REAR CIGAR LIGHTER
LB10	20-WAY MULTILOCK 40 (BLACK)	REAR FACE OF LEFT BLOWER, UNDER FASCIA / BULKHEAD TO LF HARNESS
LB23B	16-WAY MULTILOCK 40 (BLUE)	LEFT BLOWER MOTOR HOUSING BRACKET / LEFT SPLICE BOX
LB33	12-WAY MULTILOCK 40 (GREEN)	LOWER RIGHT OF STEERING COLUMN / STEERING COLUMN CYCLE SWITCH
LB35	12-WAY MULTILOCK 40 (BLACK)	LOWER RIGHT OF STEERING COLUMN / STEERING COLUMN SWITCH GEAR
LB44	.250 BLADE (BLACK)	BENEATH FRONT CIGAR LIGHTER / FRONT CIGAR LIGHTER
LB45	6-WAY MULTILOCK 70 (WHITE)	CENTER CONSOLE, BELOW ASHTRAY / SECURITY SYSTEM VALET SWITCH
LB53	12-WAY MULTILOCK 70 (WHITE)	BENEATH RIGHT REAR SEAT BOX SECTION / BULKHEAD TO REAR HARNESS
LB54	20-WAY MULTILOCK 40 (BLUE)	MOUNTED RIGHT OF CENTER CONSOLE CHEEK / PASSENGER SEAT SWITCH PACK
LB63	.250 BLADE (BLACK)	BENEATH FRONT CIGAR LIGHTER / CIGAR LIGHTER LOCATE ILLUMINATION
LB65	2-WAY MULTILOCK 40 (BLACK)	BEHIND INSPECTION PANEL IN GLOVE BOX / BULKHEAD HARNESS
LB69	20-WAY AMP PCB POWER (YELLOW)	RELAY MOUNTING BRACKET BELOW GLOVE BOX / RELAY MODULE H
LB88	20-WAY MULTILOCK 40 (BLACK)	REAR FACE OF RIGHT BLOWER, UNDER FASCIA / BULKHEAD TO RF HARNESS
LS1	SUMITOMO 'A' (WHITE)	ABOVE LEFT HEADLIGHT INSIDE HOOD / LEFT HOOD HARNESS
LS10	PM 5 (BLACK)	ADJACENT TO LF BULB FAIL MODULE / HOOD OPEN SWITCH
RS21	20-WAY AMP PCB POWER (RED)	BEHIND RIGHT HEADLIGHT / RELAY MODULE D
RS63	2-WAY ECONOSEAL III HC (BLACK)	BY RR BULB FAIL MODULE / TRAILER CONNECTION
RS69	.250 BLADE (BLACK)	LF BUMPER / LEFT HORN
RS70	.250 BLADE (BLACK)	LF BUMPER / LEFT HORN
RS71	.250 BLADE (BLACK)	RF BUMPER / RIGHT HORN
RS72	.250 BLADE (BLACK)	RF BUMPER / RIGHT HORN
RS79	4-WAY MULTILOCK 70 (WHITE)	BELOW TRUNK SWITCH AT RR HINGE / TELEPHONE CONNECTION
SC9	.187 BLADE (WHITE)	STEERING COLUMN SWITCH GEAR, RIGHT / HORN BUTTON
SC10	.187 BLADE (WHITE)	STEERING COLUMN SWITCH GEAR, RIGHT / HORN BUTTON

GROUNDS

CODE	DESCRIPTION	LOCATION / INTERFACE
LBG39A	WHITE EYELET	CENTER CONSOLE GROUND STUD BEHIND 'J' GATE / GROUND
LBG39B	WHITE EYELET	CENTER CONSOLE GROUND STUD BEHIND 'J' GATE / GROUND
RSG6A	WHITE EYELET	ENGINE COMPARTMENT, RF, ADJACENT TO WASHER RESERVOIR / GROUND
RSG62A	WHITE EYELET	TRUNK, RIGHT, BELOW BULB FAIL MODULE / GROUND

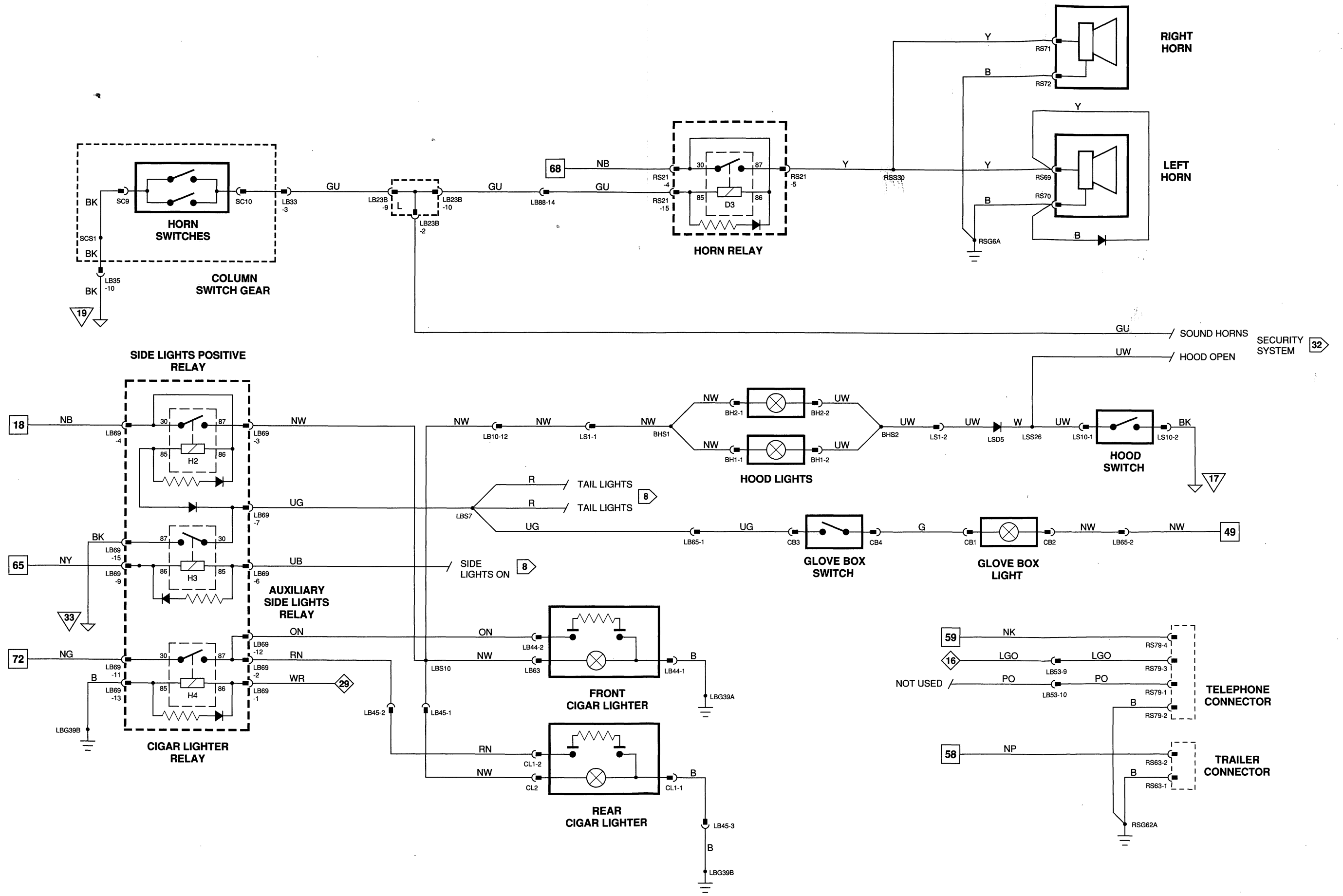


FIG 18 DATA

COMPONENTS

DESCRIPTION	LOCATION	ACCESS
DOOR SWITCH PACK — DRIVER	DRIVER'S DOOR	DRIVER'S DOOR LOWER CASING
DOOR SWITCH — DRIVER	DRIVER'S DOOR LATCH	DRIVER'S DOOR CASING
LUMBAR SWITCH — DRIVER	CENTER CONSOLE, LEFT SIDE	—
SEAT AND MIRRORS ECU — DRIVER	FLOOR, FRONT OF DRIVER'S SEAT	FLOOR TRIM PANEL
SEAT LUMBAR PUMP — DRIVER	DRIVER'S SEAT BACK	—
SEAT SWITCH PACK — DRIVER	CENTER CONSOLE, LEFT SIDE	CENTER CONSOLE
SEAT MOTORS — DRIVER	DRIVER'S SEAT	BENEATH SEAT CUSHION

CONNECTORS

CODE	DESCRIPTION	LOCATION / INTERFACE
DD2	20-WAY MULTILOCK 40 (BLACK)	DRIVER'S DOOR SWITCH PACK, NEAR FRONT OF DOOR / DRIVER'S DOOR SWITCH PACK
DD4	4-WAY ECONOSEAL III LC (BLACK)	DRIVER'S DOOR, BOTTOM REAR / DRIVER'S DOOR SWITCH
DIL1	6-WAY MULTILOCK 70 (WHITE)	REAR OF DRIVER'S SEAT BACK / SEAT RECLINE MOTOR AND POTENTIOMETER
DIL2	6-WAY MULTILOCK 70 (YELLOW)	REAR OF DRIVER'S SEAT BACK / HEADREST MOTOR AND POTENTIOMETER
DIL4	3-WAY MULTILOCK 70 (YELLOW)	REAR OF DRIVER'S SEAT BACK / LUMBAR PUMP
DSM1	20-WAY AMP PCB POWER (BLACK)	DRIVER'S SEAT BY SEAT/MIRROR ECU ON FLOOR / DRIVER'S SEAT AND MIRRORS ECU
DSM2	6-WAY MULTILOCK 70 (WHITE)	BENEATH DRIVER'S SEAT CUSHION / SEAT FORE/AFT MOTOR AND POTENTIOMETER
DSM3	6-WAY MULTILOCK 70 (YELLOW)	BENEATH DRIVER'S SEAT CUSHION / SEAT REAR RAISE/LOWER MOTOR AND POTENTIOMETER
DSM4	6-WAY MULTILOCK 70 (SLATE)	BENEATH DRIVER'S SEAT CUSHION / SEAT FRONT RAISE/LOWER MOTOR AND POTENTIOMETER
DSM5	18-WAY MULTILOCK 70 (WHITE)	BENEATH DRIVER'S SEAT CUSHION / DRIVER'S SEAT HARNESS
DSM7	3-WAY MULTILOCK 70 (SLATE)	BENEATH DRIVER'S SEAT CUSHION / DRIVER'S LUMBAR SWITCH
LB1	48-WAY AMP PCB SIGNAL (BLACK)	FLOOR PANEL IN FRONT OF DRIVER'S SEAT / DRIVERS SEAT AND MIRRORS ECU
LB3	12-WAY AMP PCB POWER (BLACK)	FLOOR PANEL IN FRONT OF DRIVER'S SEAT / DRIVERS SEAT AND MIRRORS ECU
LB14	20-WAY MULTILOCK 40 (GREEN)	LEFT 'A' POST BOX SECTION / BULKHEAD HARNESS
LB37	20-WAY MULTILOCK 40 (GREEN)	MOUNTED LEFT OF CENTER CONSOLE CHEEK / DRIVER SEAT SWITCH PACK
LB42	10-WAY MULTILOCK 70 (WHITE)	FRONT OF DRIVER'S SEAT BY SEAT AND MIRRORS ECU / BULKHEAD TO SEAT HARNESS
LB79B	16-WAY MULTILOCK 40 (BLACK)	RIGHT BLOWER MOTOR, ABOVE VACUUM VALVE / RIGHT SPLICE BOX
LB80B	16-WAY MULTILOCK 40 (GREEN)	RIGHT BLOWER MOTOR, ABOVE VACUUM VALVE / RIGHT SPLICE BOX
LB81B	16-WAY MULTILOCK 40 (BLUE)	RIGHT BLOWER MOTOR, ABOVE VACUUM VALVE / RIGHT SPLICE BOX
LB82	20-WAY MULTILOCK 40 (BLACK)	RIGHT 'A' POST BOX SECTION / BULKHEAD HARNESS

GROUND

CODE	DESCRIPTION	LOCATION / INTERFACE
LBG13A	WHITE EYELET	ABOVE LEFT FUSE PANEL ON 'A' POST / GROUND
LBG39A	WHITE EYELET	CENTER CONSOLE GROUND STUD BEHIND 'J' GATE / GROUND

INPUTS / OUTPUTS

DRIVER'S SEAT AND MIRRORS ECU

CODE	IN / OUT	CIRCUIT	ACTIVE	INACTIVE
LB1-1	INPUT	IGNITION SWITCHED POWER	KEY ON: 12V	KEY OFF: OPEN CIRCUIT
LB1-2	INPUT	REVERSE GEAR MIRROR DIP	REVERSE SELECTED: GROUND	12V
LB1-3	INPUT	MEMORY SET	MEMORY PRESSED: 12V	OPEN CIRCUIT
LB1-4	INPUT	HEADREST — RAISE	12V	OPEN CIRCUIT
LB1-5	INPUT	DRIVER'S DOOR ENTRY SWITCH	GROUND	12V
LB1-6	INPUT	HEADREST — LOWER	12V	OPEN CIRCUIT
LB1-7	INPUT	SEAT REAR — LOWER	12V	OPEN CIRCUIT
LB1-8	INPUT	SEAT FRONT — LOWER	12V	OPEN CIRCUIT
LB1-9	INPUT	SEAT RECLINE — RAISE	12V	OPEN CIRCUIT
LB1-10	INPUT	MEMORY POSITION #1	#1 PRESSED: 12V	OPEN CIRCUIT
LB1-12	INPUT	SEAT REARWARD	12V	OPEN CIRCUIT
LB1-13	INPUT	SEAT FORWARD	12V	OPEN CIRCUIT
LB1-16	INPUT	CPU (MEMORY SET)	PULSED TO GROUND	OPEN CIRCUIT
LB1-25	INPUT	SEAT REAR — RAISE	12V	OPEN CIRCUIT
LB1-26	INPUT	SEAT FRONT — RAISE	12V	OPEN CIRCUIT
LB1-28	INPUT	DRIVER'S DOOR SWITCH OPEN	DOOR OPEN: GROUND	DOOR CLOSED: 12V
LB1-31	INPUT	MEMORY POSITION #2	#2 PRESSED: 12V	OPEN CIRCUIT
LB1-37	INPUT	SEAT RECLINE — LOWER	12V	OPEN CIRCUIT
LB3-1	INPUT	LOGIC GROUND	GROUND	GROUND
LB3-2	INPUT	BATTERY POWER	12V	12V
LB3-3	INPUT	BATTERY POWER	12V	12V
LB3-4	OUTPUT	SERIAL COMMUNICATIONS DATA LINK	JDS	—
LB3-5	INPUT	LOGIC GROUND	GROUND	GROUND
LB3-7	INPUT	POWER GROUND	GROUND	GROUND
LB3-8	INPUT	BATTERY POWER	12V	12V
LB3-9	INPUT	SERIAL COMMUNICATIONS DATA LINK	JDS	—
LB3-10	INPUT	BATTERY POWER	12V	12V
DSM1-1	OUTPUT	DRIVER'S SEAT MOTOR — FRONT	12V	GROUND
DSM1-2	OUTPUT	SEAT MOTOR — FORE/AFT	12V	GROUND
DSM1-3	OUTPUT	HEADREST — RAISE	12V	GROUND
DSM1-4	OUTPUT	SEAT FRONT MOTOR — LOWER	12V	GROUND
DSM1-5	OUTPUT	SEAT MOTOR — REARWARD	12V	GROUND
DSM1-6	OUTPUT	HEADREST — LOWER	12V	GROUND
DSM1-7	OUTPUT	SEAT REAR MOTOR — RAISE	12V	GROUND
DSM1-8	OUTPUT	RECLINE MOTOR — LOWER	12V	GROUND
DSM1-9	OUTPUT	RECLINE MOTOR — RAISE	12V	GROUND
DSM1-11	INPUT	HEADREST POTENTIOMETER WIPER	FULLY DOWN: 0.5V	FULLY UP: 2.1V
DSM1-12	INPUT	SEAT REAR POTENTIOMETER WIPER	FULLY DOWN: 0.6V	FULLY UP: 4.1V
DSM1-13	INPUT	SEAT FORE / AFT POTENTIOMETER WIPER	FULLY BACK: 1.2V	FULLY FORWARD: 4.1V
DSM1-14	INPUT	RECLINE POTENTIOMETER WIPER	FULLY RECLINED: 4V	FULLY UPRIGHT: 0.4V
DSM1-15	INPUT	SEAT FRONT POTENTIOMETER WIPER	FULLY DOWN: 1.5V	FULLY UP: 4V
DSM1-19	OUTPUT	POTENTIOMETER GROUND	GROUND	GROUND
DSM1-20	OUTPUT	POTENTIOMETER REFERENCE VOLTAGE	4.5V	GROUND

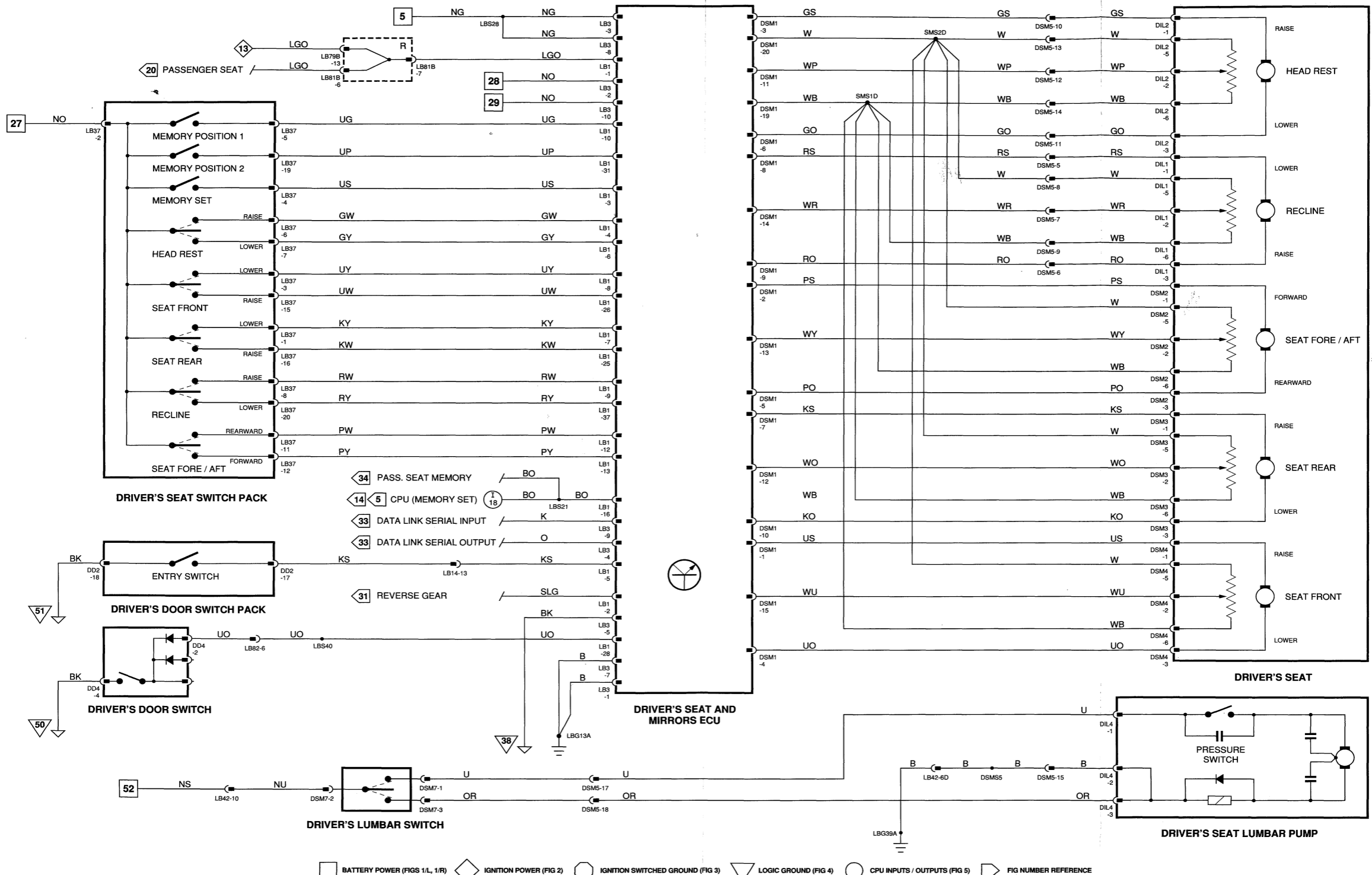


FIG 19 DATA

COMPONENTS

DESCRIPTION

DOOR MIRROR — DRIVER
DOOR MIRROR — PASSENGER
DOOR SWITCH PACK — DRIVER
SEAT AND MIRRORS ECU — DRIVER
SEAT SWITCH PACK — DRIVER

LOCATION

DRIVER'S DOOR
PASSENGER'S DOOR
DRIVER'S DOOR
FLOOR, FRONT OF DRIVER'S SEAT
CENTER CONSOLE, LEFT SIDE

ACCESS

DRIVER'S DOOR CASING
PASSENGER'S DOOR CASING
DRIVER'S DOOR LOWER CASING
FLOOR TRIM PANEL
CENTER CONSOLE

CONNECTORS

CODE	DESCRIPTION	LOCATION / INTERFACE
DD1	8-WAY MULTILOCK 70 (WHITE)	DRIVER'S DOOR, BOTTOM OF SWITCH PACK / DRIVER'S DOOR HARNESS
DD2	20-WAY MULTILOCK 40 (BLACK)	DRIVER'S DOOR SWITCH PACK, NEAR FRONT OF DOOR / DRIVER'S DOOR SWITCH PACK
DD13	GROTE AND HARTMAN (BLACK)	DRIVER'S DOOR INNER HINGE BRACKET / DRIVER'S MIRROR MOTOR, POTENTIOMETER AND HEATER
DD14	GROTE AND HARTMAN (WHITE)	DRIVER'S DOOR INNER HINGE BRACKET / DRIVER'S MIRROR MOTOR, POTENTIOMETER AND HEATER
LB1	48-WAY AMP PCB SIGNAL (BLACK)	FLOOR PANEL IN FRONT OF DRIVER'S SEAT / DRIVERS SEAT AND MIRRORS ECU
LB2	4-WAY MULTILOCK 70 (WHITE)	LEFT 'A' POST BOX SECTION / BULKHEAD HARNESS
LB3	12-WAY AMP PCB POWER (BLACK)	FLOOR PANEL IN FRONT OF DRIVER'S SEAT / DRIVERS SEAT AND MIRRORS ECU
LB12	20-WAY MULTILOCK 40 (BLACK)	LEFT 'A' POST BOX SECTION / BULKHEAD HARNESS
LB14	20-WAY MULTILOCK 40 (GREEN)	LEFT 'A' POST BOX SECTION / BULKHEAD HARNESS
LB22A	12-WAY MULTILOCK 40 (BLACK)	LEFT BLOWER MOTOR HOUSING BRACKET / LEFT SPLICE BOX
LB22B	16-WAY MULTILOCK 40 (BLACK)	LEFT BLOWER MOTOR HOUSING BRACKET / LEFT SPLICE BOX
LB23A	12-WAY MULTILOCK 40 (BLUE)	LEFT BLOWER MOTOR HOUSING BRACKET / LEFT SPLICE BOX
LB23B	16-WAY MULTILOCK 40 (BLUE)	LEFT BLOWER MOTOR HOUSING BRACKET / LEFT SPLICE BOX
LB37	20-WAY MULTILOCK 40 (GREEN)	MOUNTED LEFT OF CENTER CONSOLE / CHEEK / DRIVER SEAT SWITCH PACK
LB79B	16-WAY MULTILOCK 40 (GREEN)	RIGHT BLOWER MOTOR, ABOVE VACUUM VALVE / RIGHT SPLICE BOX
LB80B	16-WAY MULTILOCK 40 (GREEN)	RIGHT BLOWER MOTOR, ABOVE VACUUM VALVE / RIGHT SPLICE BOX
LB81B	16-WAY MULTILOCK 40 (BLUE)	RIGHT BLOWER MOTOR, ABOVE VACUUM VALVE / RIGHT SPLICE BOX
LB82	20-WAY MULTILOCK 40 (BLACK)	RIGHT 'A' POST BOX SECTION / BULKHEAD HARNESS
LB83	6-WAY MULTILOCK 70 (WHITE)	RIGHT 'A' POST BOX SECTION / BULKHEAD HARNESS
PD13	GROTE AND HARTMAN (BLACK)	PASSENGER'S DOOR INNER HINGE BRACKET / PASSENGER'S MIRROR MOTOR, POTENTIOMETER AND HEATER
PD14	GROTE AND HARTMAN (WHITE)	PASSENGER'S DOOR INNER HINGE BRACKET / PASSENGER'S MIRROR MOTOR, POTENTIOMETER AND HEATER

GROUND

CODE	DESCRIPTION	LOCATION / INTERFACE
LBG13A	WHITE EYELET	ABOVE LEFT FUSE PANEL ON 'A' POST / GROUND

INPUTS / OUTPUTS

DRIVER'S SEAT AND MIRRORS ECU

CODE	IN / OUT	CIRCUIT	ACTIVE	INACTIVE
LB1-1	INPUT	IGNITION SWITCHED POWER	KEY ON: 12V	KEY OFF: OPEN CIRCUIT
LB1-2	INPUT	REVERSE GEAR MIRROR DIP	REVERSE SELECTED: GROUND	12V
LB1-3	INPUT	MEMORY SET	'M' PRESSED: 12V	OPEN CIRCUIT
LB1-10	INPUT	MEMORY POSITION '1'	'1' PRESSED: 12V	OPEN CIRCUIT
LB1-16	INPUT	CPU (MEMORY SET)	'M' & '1' PRESSED: PULSE TO GROUND	RELEASED: 118 mV
LB1-18	OUTPUT	CPU TONE — MEMORY ACKNOWLEDGE	'M' PRESSED: 4.3 mV	RELEASED: 3.1 mV
LB1-21	OUTPUT	PASSENGER'S MIRROR UP/DOWN (X AXIS)	UP: 12V	DOWN: GROUND
LB1-22	OUTPUT	PASSENGER'S MIRROR RIGHT/LEFT (Y AXIS)	RIGHT: 12V	LEFT: GROUND
LB1-23	OUTPUT	DRIVER'S MIRROR UP/DOWN (X AXIS)	UP: 12V	DOWN: GROUND
LB1-24	OUTPUT	DRIVER'S MIRROR RIGHT/LEFT (Y AXIS)	RIGHT: 12V	LEFT: GROUND
LB1-30	INPUT	MIRROR SELECT DRIVER / PASSENGER	—	—
LB1-31	INPUT	MEMORY POSITION '2'	'2' PRESSED: 12V	OPEN CIRCUIT
LB1-33	INPUT	MIRROR SELECT — DRIVER'S X AXIS	UP: 12V	DOWN: GROUND
LB1-34	INPUT	MIRROR SELECT — DRIVER'S Y AXIS	RIGHT: 12V	LEFT: GROUND
LB1-35	INPUT	MIRROR SELECT — PASSENGER'S X AXIS	UP: 12V	DOWN: GROUND
LB1-36	INPUT	MIRROR SELECT — PASSENGER'S Y AXIS	RIGHT: 12V	LEFT: GROUND
LB1-41	OUTPUT	MIRROR POTENTIOMETER REFERENCE VOLTAGE	MIRROR MOVING: 4.4V	—
LB1-42	INPUT	MIRROR POTENTIOMETER GROUND	GROUND	GROUND
LB1-43	INPUT	DRIVER'S MIRROR POTENTIOMETER WIPER (X AXIS)	FULLY UP: 4.2V	DOWN: 0.3V
LB1-44	INPUT	DRIVER'S MIRROR POTENTIOMETER WIPER (Y AXIS)	FULLY LEFT: 0.8V	RIGHT: 4.0V
LB1-45	INPUT	PASSENGER'S MIRROR POTENTIOMETER WIPER (X AXIS)	FULLY UP: 4.2V	DOWN: 0.3V
LB1-48	INPUT	PASSENGER'S MIRROR POTENTIOMETER WIPER (Y AXIS)	FULLY LEFT: 0.8V	RIGHT: 3.5V
LB3-1	INPUT	POWER GROUND	GROUND	GROUND
LB3-2	INPUT	BATTERY POWER	12V	12V
LB3-3	INPUT	BATTERY POWER	12V	12V
LB3-4	OUTPUT	SERIAL COMMUNICATIONS DATA LINK OUTPUT	JDS	—
LB3-5	INPUT	LOGIC GROUND	GROUND	GROUND
LB3-7	INPUT	POWER GROUND	GROUND	GROUND
LB3-8	INPUT	BATTERY POWER	12V	12V
LB3-9	INPUT	SERIAL COMMUNICATIONS DATA LINK	JDS	—
LB3-10	INPUT	BATTERY POWER	12V	12V

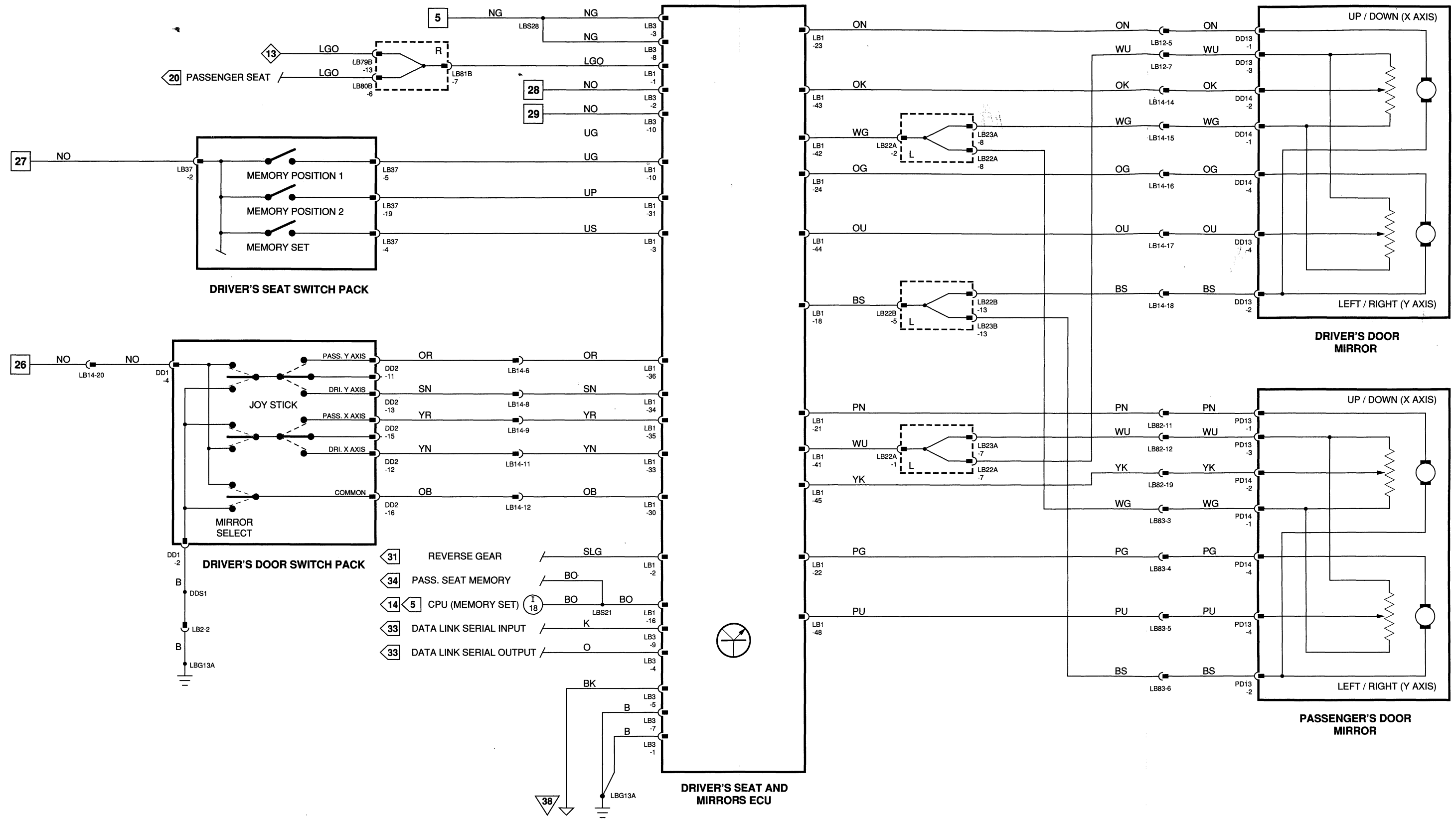


FIG 20 DATA

COMPONENTS

DESCRIPTION	LOCATION	ACCESS
LUMBAR SWITCH — PASSENGER	CENTER CONSOLE, RIGHT SIDE	—
SEAT CONTROL UNIT — PASSENGER	FLOOR, FRONT OF PASSENGER'S SEAT	FLOOR TRIM PANEL
SEAT LUMBAR PUMP — PASSENGER	PASSENGER'S SEAT BACK	—
SEAT SWITCH PACK — PASSENGER	CENTER CONSOLE, RIGHT SIDE	CENTER CONSOLE
SEAT MOTORS — PASSENGER	PASSENGER'S SEAT	BENEATH SEAT CUSHION

CONNECTORS

CODE	DESCRIPTION	LOCATION / INTERFACE
LB42	10-WAY MULTILOCK 70 (WHITE)	FRONT OF DRIVER'S SEAT BY SEAT AND MIRRORS ECU / BULKHEAD TO SEAT HARNESS
LB43	10-WAY MULTILOCK 70 (WHITE)	FRONT OF PASSENGER'S SEAT BY SEAT CONTROL UNIT / SEAT HARNESS
LB54	20-WAY MULTILOCK 40 (BLUE)	MOUNTED RIGHT OF CENTER CONSOLE CHEEK / PASSENGER SEAT SWITCH PACK
LB79B	16-WAY MULTILOCK 40 (BLACK)	RIGHT BLOWER MOTOR, ABOVE VACUUM VALVE / RIGHT SPLICE BOX
LB80B	16-WAY MULTILOCK 40 (GREEN)	RIGHT BLOWER MOTOR, ABOVE VACUUM VALVE / RIGHT SPLICE BOX
LB81B	16-WAY MULTILOCK 40 (BLUE)	RIGHT BLOWER MOTOR, ABOVE VACUUM VALVE / RIGHT SPLICE BOX
LB91	48-WAY AMP PCB SIGNAL (BLACK)	FLOOR PANEL, FRONT OF PASSENGER'S SEAT / PASSENGER'S SEAT CONTROL UNIT
LB92	12-WAY AMP PCB SIGNAL (BLACK)	FLOOR PANEL, FRONT OF PASSENGER'S SEAT / PASSENGER'S SEAT CONTROL
PIL1	6-WAY MULTILOCK 70 (WHITE)	BENEATH PASSENGER'S SEAT BACK / SEAT RECLINE MOTOR
PIL2	6-WAY MULTILOCK 70 (YELLOW)	REAR OF PASSENGER'S SEAT BACK / HEADREST MOTOR
PIL4	3-WAY MULTILOCK 70 (YELLOW)	REAR OF PASSENGER'S SEAT BACK / LUMBAR PUMP
PSM2	6-WAY MULTILOCK 70 (WHITE)	BENEATH PASSENGER'S SEAT CUSHION / SEAT FORE/AFT MOTOR
PSM3	6-WAY MULTILOCK 70 (YELLOW)	BENEATH PASSENGER'S SEAT CUSHION / SEAT REAR RAISE/LOWER MOTOR
PSM4	6-WAY MULTILOCK 70 (SLATE)	BENEATH PASSENGER'S SEAT CUSHION / SEAT FRONT RAISE/LOWER MOTOR
PSM5	18-WAY MULTILOCK 70 (WHITE)	BENEATH PASSENGER'S SEAT CUSHION / PASSENGER'S SEAT HARNESS
PSM7	3-WAY MULTILOCK 70 (SLATE)	BENEATH PASSENGER'S SEAT CUSHION / PASSENGER'S LUMBAR SWITCH
PSM9	20-WAY AMP PCB POWER (YELLOW)	PASSENGER'S SEAT BY SEAT CONTROL UNIT ON FLOOR / PASSENGER'S SEAT CONTROL UNIT

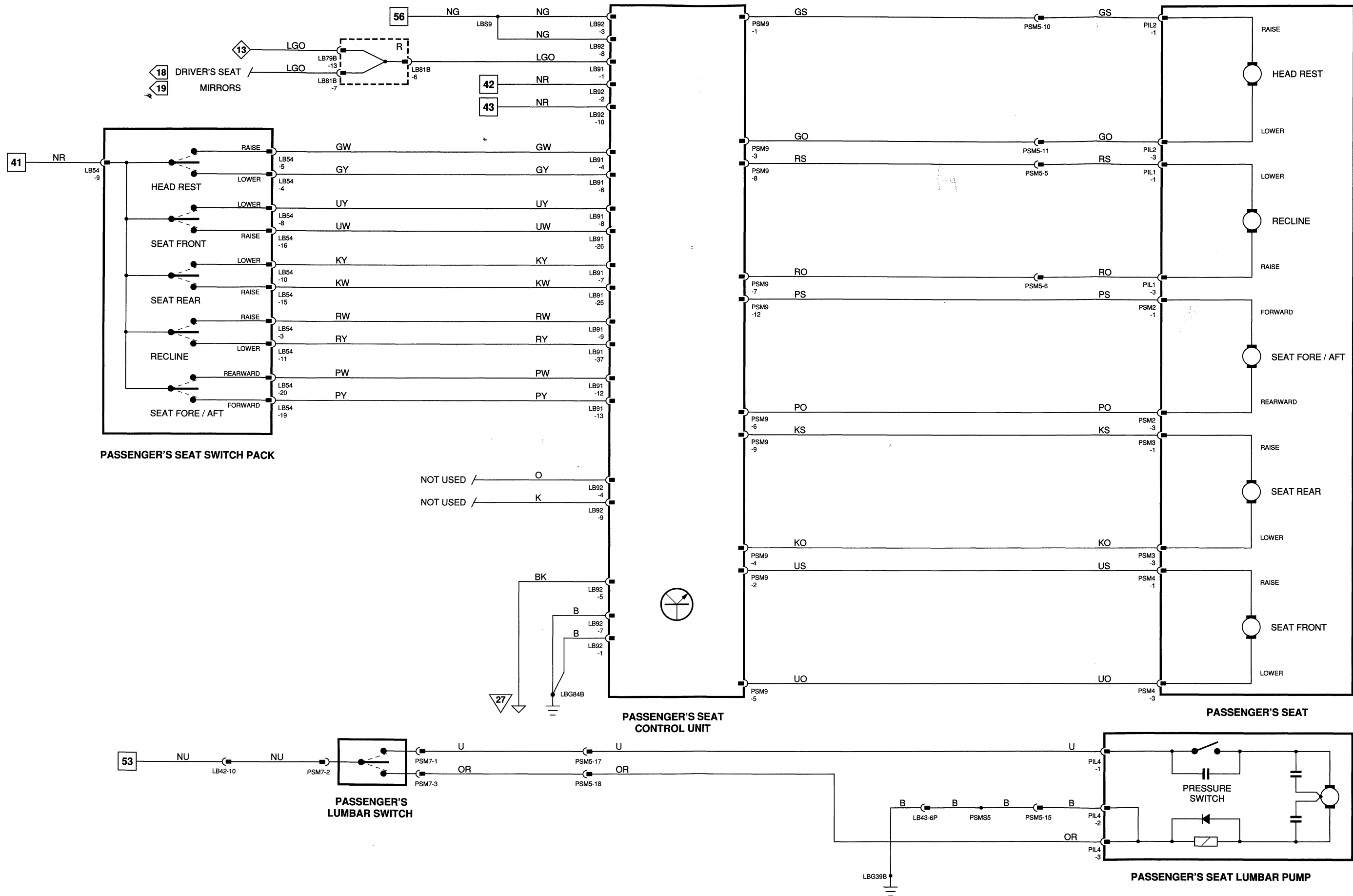
GROUND

CODE	DESCRIPTION	LOCATION / INTERFACE
LBG39B	WHITE EYELET	CENTER CONSOLE GROUND STUD BEHIND 'J' GATE / GROUND
LBG84B	WHITE EYELET	ABOVE RIGHT FUSE PANEL ON 'A' POST / GROUND

INPUTS / OUTPUTS

PASSENGER SEAT CONTROL UNIT

CODE	IN / OUT	CIRCUIT	ACTIVE	INACTIVE
LB91-1	INPUT	IGNITION SWITCHED POWER	KEY ON: 12V	KEY OFF: OPEN CIRCUIT
LB91-4	INPUT	HEADREST — RAISE	RAISE: 12V	OPEN CIRCUIT
LB91-6	INPUT	HEADREST — LOWER	LOWER: 12V	OPEN CIRCUIT
LB91-7	INPUT	SEAT REAR — LOWER	LOWER: 12V	OPEN CIRCUIT
LB91-8	INPUT	SEAT FRONT — LOWER	LOWER: 12V	OPEN CIRCUIT
LB91-9	INPUT	SEAT RECLINE — RAISE	RAISE: 12V	OPEN CIRCUIT
LB91-12	INPUT	SEAT REARWARD	REARWARD: 12V	OPEN CIRCUIT
LB91-13	INPUT	SEAT FORWARD	FORWARD: 12V	OPEN CIRCUIT
LB91-25	INPUT	SEAT REAR — RAISE	RAISE: 12V	OPEN CIRCUIT
LB91-26	INPUT	SEAT FRONT — RAISE	RAISE: 12V	OPEN CIRCUIT
LB91-37	INPUT	SEAT RECLINE — LOWER	LOWER: 12V	OPEN CIRCUIT
LB92-1	INPUT	POWER GROUND	GROUND	GROUND
LB92-2	INPUT	BATTERY POWER	12V	12V
LB92-3	INPUT	BATTERY POWER	12V	12V
LB92-5	INPUT	LOGIC GROUND	GROUND	GROUND
LB92-7	INPUT	POWER GROUND	GROUND	GROUND
LB92-8	INPUT	BATTERY POWER	12V	12V
LB92-10	INPUT	BATTERY POWER	12V	12V
PSM9-1	OUTPUT	HEADREST — RAISE	RAISE: 12V	GROUND
PSM9-2	OUTPUT	SEAT FRONT — RAISE	RAISE: 12V	GROUND
PSM9-3	OUTPUT	HEADREST — LOWER	LOWER: 12V	GROUND
PSM9-4	OUTPUT	SEAT REAR — LOWER	LOWER: 12V	GROUND
PSM9-5	OUTPUT	SEAT FRONT — LOWER	LOWER: 12V	GROUND
PSM9-6	OUTPUT	SEAT REARWARD	REARWARD: 12V	GROUND
PSM9-7	OUTPUT	SEAT RECLINE — RAISE	RAISE: 12V	GROUND
PSM9-8	OUTPUT	SEAT RECLINE — LOWER	LOWER: 12V	GROUND
PSM9-9	OUTPUT	SEAT REAR — RAISE	RAISE: 12V	GROUND
PSM9-12	OUTPUT	SEAT FORWARD	FORWARD: 12V	GROUND



 BATTERY POWER (FIGS 1/L, 1/R)
 IGNITION POWER (FIG 2)
 IGNITION SWITCHED GROUND (FIG 3)
 LOGIC GROUND (FIG 4)
 CPU INPUTS / OUTPUTS (FIG 5)
 FIG NUMBER REFERENCE

NOTE: PASSENGER SEAT WITH MEMORY CIRCUIT — FIG 34

FIG 21 DATA

COMPONENTS

DESCRIPTION	LOCATION	ACCESS
CENTRAL MICROPROCESSOR	BEHIND GLOVE BOX	RIGHT DASH UNDER PANEL
RELAY MODULE M	PASSENGER'S SEAT	FLOOR TRIM PANEL
(M1 — SEAT HEATER RELAY — PASSENGER)		
(M2 — SEAT HEATER RELAY — DRIVER)		
SEAT BACK HEATER — DRIVER	DRIVER'S SEAT BACK	—
SEAT BACK HEATER — PASSENGER	PASSENGER'S SEAT BACK	—
SEAT CUSHION HEATER — DRIVER INNER	DRIVER'S SEAT CUSHION	—
SEAT CUSHION HEATER — DRIVER OUTER	DRIVER'S SEAT CUSHION	—
SEAT CUSHION HEATER — PASSENGER INNER	PASSENGER'S SEAT CUSHION	—
SEAT CUSHION HEATER — PASSENGER OUTER	PASSENGER'S SEAT CUSHION	—
SEAT SWITCH PACK — DRIVER	CENTER CONSOLE, LEFT SIDE	CENTER CONSOLE
SEAT SWITCH PACK — PASSENGER	CENTER CONSOLE, RIGHT SIDE	CENTER CONSOLE
SEAT THERMOSTAT — DRIVER	DRIVER'S SEAT CUSHION	BENEATH SEAT CUSHION
SEAT THERMOSTAT — PASSENGER	PASSENGER'S SEAT CUSHION	BENEATH SEAT CUSHION

CONNECTORS

CODE	DESCRIPTION	LOCATION / INTERFACE
DCH1	2-WAY MULTILOCK 70 (WHITE)	BENEATH DRIVER'S SEAT CUSHION / DRIVER'S SEAT CUSHION HEATER
DHS1	3-WAY MULTILOCK 70 (YELLOW)	BENEATH DRIVER'S SEAT CUSHION / DRIVER'S SEAT HARNESS
DSQ1	3-WAY MULTILOCK 70 (SLATE)	ATTACHED TO DRIVER'S SEAT CUSHION FRAME / DRIVER'S SEAT BACK HEATER
LB37	20-WAY MULTILOCK 40 (GREEN)	MOUNTED LEFT OF CENTER CONSOLE CHEEK / DRIVER SEAT SWITCH PACK
LB42	10-WAY MULTILOCK 70 (WHITE)	FRONT OF DRIVER'S SEAT BY SEAT AND MIRRORS ECU / BULKHEAD TO SEAT HARNESS
LB43	10-WAY MULTILOCK 70 (WHITE)	FRONT OF PASSENGER'S SEAT BY SEAT CONTROL UNIT / SEAT HARNESS
LB54	20-WAY MULTILOCK 40 (BLUE)	MOUNTED RIGHT OF CENTER CONSOLE CHEEK / PASSENGER SEAT SWITCH PACK
LB60	48-WAY AMP PCB SIGNAL (YELLOW)	BEHIND GLOVE BOX ON CPU / CENTRAL MICROPROCESSOR
LB61	48-WAY AMP PCB SIGNAL (BLACK)	BEHIND GLOVE BOX ON CPU / CENTRAL MICROPROCESSOR
LB101	20-WAY AMP PCB POWER (BLUE)	IN FRONT OF PASSENGER'S SEAT CONTROL UNIT / RELAY MODULE M
PCH1	2-WAY MULTILOCK 70 (WHITE)	BENEATH PASSENGER'S SEAT CUSHION / PASSENGER'S SEAT CUSHION HEATER
PHS1	3-WAY MULTILOCK 70 (YELLOW)	BENEATH PASSENGER'S SEAT CUSHION / PASSENGER'S SEAT HARNESS
PSQ1	3-WAY MULTILOCK 70 (SLATE)	ATTACHED TO PASSENGER'S SEAT CUSHION FRAME / PASSENGER'S SEAT BACK HEATER

GROUND

CODE	DESCRIPTION	LOCATION / INTERFACE
LBG39A	WHITE EYELET	CENTER CONSOLE GROUND STUD BEHIND 'J' GATE / GROUND
LBG39B	WHITE EYELET	CENTER CONSOLE GROUND STUD BEHIND 'J' GATE / GROUND

INPUTS / OUTPUTS

CENTRAL MICROPROCESSOR

INPUTS		ACTIVE	INACTIVE
CODE	CIRCUIT		
15 LB61-24	IGNITION SWITCHED POWER	KEY ON: 12V	KEY OFF: OPEN CIRCUIT
15 LB61-39	DRIVER'S SEAT HEATER SWITCH	SWITCH PRESSED: GROUND	SWITCH RELEASED: OPEN CIRCUIT
16 LB61-15	PASSENGER'S SEAT HEATER SWITCH	SWITCH PRESSED: GROUND	SWITCH RELEASED: OPEN CIRCUIT
OUTPUTS		ACTIVE	INACTIVE
CODE	CIRCUIT		
16 LB60-41	PASSENGER'S SEAT HEATER DRIVE (KEY ON)	HEATER ON: GROUND	HEATER OFF: 12V
17 LB60-44	DRIVER'S SEAT HEATER DRIVE (KEY ON)	HEATER ON: GROUND	HEATER OFF: 12V

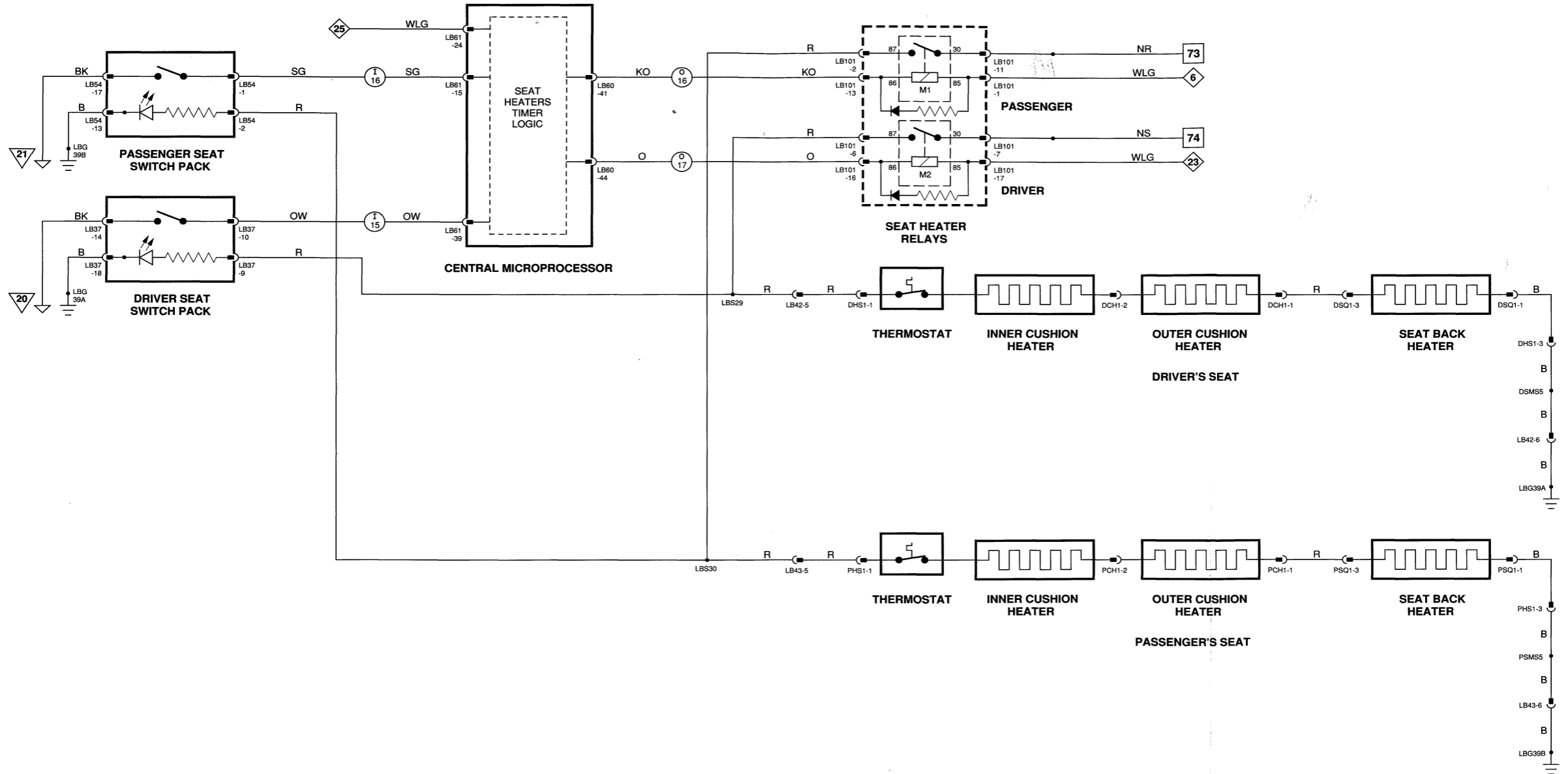


FIG 22 DATA

COMPONENTS

DESCRIPTION

AMBIENT TEMPERATURE SENSOR
ENGINE BREATHER HEATER
HEADLIGHT WASHER HEATER — LEFT
HEADLIGHT WASHER HEATER — RIGHT
WINDSHIELD WASHER HEATER — LEFT
WINDSHIELD WASHER HEATER — RIGHT
RELAY — BREATHER HEATER (FE37)

LOCATION

RIGHT FRONT BRAKE DUCT
ADJACENT TO OIL FILL PIPE
HEADLIGHT WASHER JET, LEFT
HEADLIGHT WASHER JET, RIGHT
WINDSHIELD WASHER JET, LEFT
WINDSHIELD WASHER JET, RIGHT
RIGHT BULKHEAD RELAY PANEL

ACCESS

RIGHT DUCT
ENGINE COMPARTMENT
FRONT BUMPER
FRONT BUMPER
WINDSHIELD PLENUM
WINDSHIELD PLENUM
ENGINE COMPARTMENT

CONNECTORS

CODE

FE26 2-WAY LUCAR BLACK
FE37 RELAY BASE (BLUE)
LB11 20-WAY MULTILOCK 40 (BLUE)
LB22A 12-WAY MULTILOCK 40 (BLACK)
LB22B 16-WAY MULTILOCK 40 (BLACK)
LB87 20-WAY MULTILOCK 40 (GREEN)
LB88 20-WAY MULTILOCK 40 (BLACK)
LS22 GROTE AND HARTMAN (BLACK)
LS29 GROTE AND HARTMAN (BLACK)
LS59 GROTE AND HARTMAN (BLACK)
RS10 2-WAY ECONOSEAL III LC (WHITE)
RS12 GROTE AND HARTMAN (BLACK)

LOCATION / INTERFACE

BELOW HEATED BREATHER / INTAKE HEATED BREATHER
RIGHT BULKHEAD RELAY PANEL / BREATHER HEATER RELAY
REAR FACE OF LEFT BLOWER, UNDER FASCIA / BULKHEAD TO LF HARNESS
LEFT BLOWER MOTOR HOUSING BRACKET / LEFT SPLICE BOX
LEFT BLOWER MOTOR HOUSING BRACKET / LEFT SPLICE BOX
REAR FACE OF RIGHT BLOWER, UNDER FASCIA / BULKHEAD TO RF HARNESS
REAR FACE OF RIGHT BLOWER, UNDER FASCIA / BULKHEAD TO RF HARNESS
BEHIND LF DIRECTIONAL ASSEMBLY / LF HEADLIGHT POWER WASH HEATER
BELOW WINDSHIELD PLENUM GRILLE / RIGHT WINDSHIELD WASHER HEATER
BELOW WINDSHIELD PLENUM GRILLE / LEFT WINDSHIELD WASHER HEATER
BEHIND RF DIRECTIONAL ASSEMBLY / AMBIENT TEMPERATURE SENSOR
BEHIND RF DIRECTIONAL ASSEMBLY / RIGHT HEADLIGHT POWER WASH HEATER

GROUND

CODE

FEG11 WHITE EYELET
FEG35 WHITE EYELET
LSG27B WHITE EYELET
RSG6B WHITE EYELET

LOCATION / INTERFACE

ENGINE COMPARTMENT AT #1 INTAKE RUNNER / GROUND
ENGINE COMPARTMENT BULKHEAD BEHIND CYLINDER HEAD / GROUND
ENGINE COMPARTMENT, LF, ADJACENT TO CRUISE CONTROL PUMP / GROUND
ENGINE COMPARTMENT, RF, ADJACENT TO WASHER RESERVOIR / GROUND

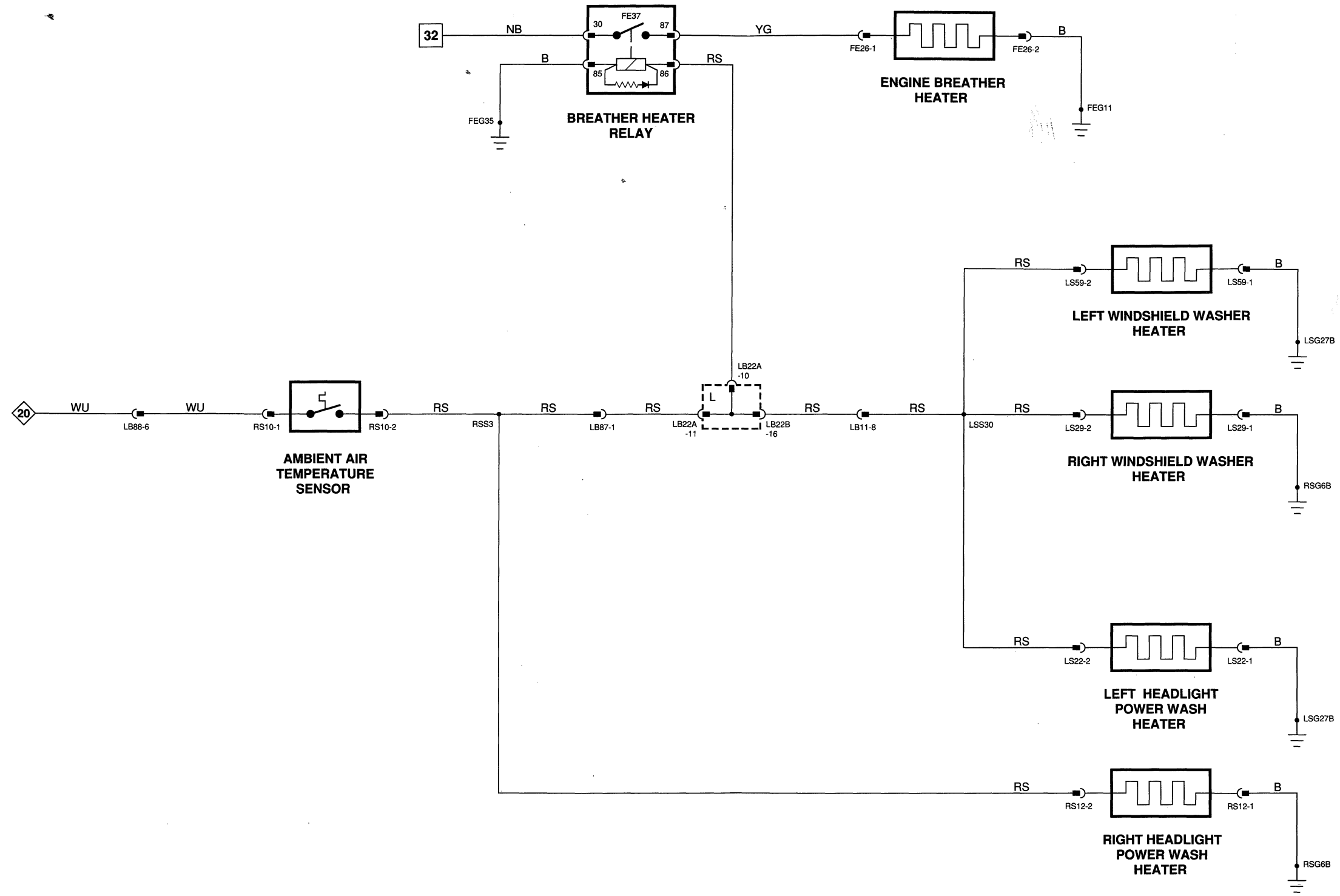


FIG 23 DATA

COMPONENTS

DESCRIPTION	LOCATION	ACCESS
CENTER CONSOLE	BETWEEN DRIVER / PASSENGER SEAT	—
CENTRAL MICROPROCESSOR	BEHIND GLOVE BOX	RIGHT DASH UNDER PANEL
CLIMATE CONTROL PANEL	CENTER CONSOLE ABOVE RADIO	—
HEATER — REAR WINDOW	REAR WINDOW	—
MIRROR HEATER — DRIVER	DRIVER'S MIRROR	—
MIRROR HEATER — PASSENGER	PASSENGER'S MIRROR	—
RELAY MODULE F (F1 — RIGHT WINDSHIELD HEATER RELAY) (F2 — LEFT WINDSHIELD HEATER RELAY)	RIGHT DASH UNDER PANEL	RIGHT DASH UNDER PANEL
RELAY MODULE G (G3 — MIRROR HEATERS RELAY)	RIGHT DASH UNDER PANEL	RIGHT DASH UNDER PANEL
RELAY MODULE K (K1 — HEATED REAR WINDOW RELAY)	RIGHT REAR WHEEL ARCH	RIGHT TRUNK TRIM
WINDSHIELD HEATER — LEFT	LEFT WINDSHIELD	
WINDSHIELD HEATER — RIGHT	RIGHT WINDSHIELD	

CONNECTORS

CODE	DESCRIPTION	LOCATION / INTERFACE
AC1	24-WAY AMP PCB SIGNAL (BLACK)	BEHIND CLIMATE CONTROL PANEL / CLIMATE CONTROL PANEL
DD14	GROTE AND HARTMAN (WHITE)	DRIVER'S DOOR INNER HINGE BRACKET / DRIVER'S MIRROR MOTOR, POTENTIOMETER AND HEATER
LB2	4-WAY MULTILOCK 70 (WHITE)	LEFT 'A' POST BOX SECTION / BULKHEAD HARNESS
LB11	20-WAY MULTILOCK 40 (BLUE)	REAR FACE OF LEFT BLOWER, UNDER FASCIA / BULKHEAD TO LF HARNESS
LB12	20-WAY MULTILOCK 40 (BLACK)	LEFT 'A' POST BOX SECTION / BULKHEAD HARNESS
LB34	12-WAY MULTILOCK 40 (GREEN)	BEHIND CENTER CONSOLE CLOCK / CENTER CONSOLE SWITCH PANEL
LB52	12-WAY MULTILOCK 70 (BLACK)	BENEATH RIGHT REAR SEAT BOX SECTION / REAR HARNESS
LB57	12-WAY MULTILOCK 40 (BLACK)	BELOW A/C CASE, RIGHT, NEAR A/C ECU / BULKHEAD HARNESS
LB60	48-WAY AMP PCB SIGNAL (YELLOW)	BEHIND GLOVE BOX ON CPU / CENTRAL MICROPROCESSOR
LB61	48-WAY AMP PCB SIGNAL (BLACK)	BEHIND GLOVE BOX ON CPU / CENTRAL MICROPROCESSOR
LB70	20-WAY AMP PCB POWER (BLUE)	RELAY MOUNTING BRACKET BELOW GLOVE BOX / RELAY MODULE G
LB71	20-WAY AMP PCB POWER (RED)	RELAY MOUNTING BRACKET BELOW GLOVE BOX / RELAY MODULE F
LB82	20-WAY MULTILOCK 40 (BLACK)	RIGHT 'A' POST BOX SECTION / BULKHEAD HARNESS
LB83	6-WAY MULTILOCK 70 (WHITE)	RIGHT 'A' POST BOX SECTION / BULKHEAD HARNESS
LS52	2-WAY AMP 187 C (SLATE)	RIGHT BULKHEAD, ADJACENT TO HOOD LATCH / RF WINDSHIELD HEATER
LS54	.250 BLADE (BLACK)	RIGHT 'E' POST BY TRIM PANEL / HEATED REAR WINDOW
LS61	2-WAY AMP 187 C (SLATE)	LEFT BULKHEAD, ADJACENT TO HOOD LATCH / LEFT WINDSHIELD HEATER
PD14	GROTE AND HARTMAN (WHITE)	PASSENGER'S DOOR INNER HINGE BRACKET / PASSENGER'S MIRROR MOTOR, POTENTIOMETER AND HEATER
RS38	20-WAY AMP PCTS POWER (BLUE)	BEHIND AND LEFT OF ANTENNA MOTOR / RELAY MODULE K
RS68	.250 BLADE (BLACK)	RIGHT 'E' POST BY TRIM PANEL / REAR WINDOW HEATER

GROUND

CODE	DESCRIPTION	LOCATION / INTERFACE
H802	WHITE EYELET	LEFT 'E' POST TRIM BEHIND READING LIGHT / GROUND
LBG13A	WHITE EYELET	ABOVE LEFT FUSE PANEL ON 'A' POST / GROUND
LBG39B	WHITE EYELET	CENTER CONSOLE GROUND STUD BEHIND 'J' GATE / GROUND
LBG84B	WHITE EYELET	ABOVE RIGHT FUSE PANEL ON 'A' POST / GROUND
LSG8A	WHITE EYELET	ENGINE COMPARTMENT BULKHEAD BEHIND CYLINDER HEAD / GROUND
LSG8B	WHITE EYELET	ENGINE COMPARTMENT, LF, ADJACENT TO CRUISE CONTROL PUMP / GROUND

INPUTS / OUTPUTS

CENTRAL MICROPROCESSOR

INPUTS		ACTIVE	INACTIVE
CODE	CIRCUIT		
LB61-24	IGNITION SWITCHED POWER	KEY ON: 12V	KEY OFF: OPEN CIRCUIT
LB61-1	ENGINE START INPUT	IGNITION CRANK POSITION: GROUND	KEY OUT: OPEN CIRCUIT
36 LB61-3	CLIMATE CONTROL DEFROST	DEFROST PRESSED: GROUND	DEFROST RELEASED: OPEN CIRCUIT
37 LB61-36	FRONT WINDSHIELD HEATER SWITCH	SWITCH PRESSED: GROUND	SWITCH RELEASED: OPEN CIRCUIT
OUTPUTS		ACTIVE	INACTIVE
CODE	CIRCUIT		
27 LB60-29	CLOCK ILLUMINATION POWER	12V	12V
31 LB60-10	DOOR MIRROR HEATERS	MIRROR HEATERS ON: GROUND	MIRROR HEATERS OFF: 12V
32 LB60-16	REAR WINDOW HEATER	WINDOW HEATER ON: GROUND	HEATER OFF: 12V
33 LB60-21	WINDSHIELD HEATER	WINDSHIELD HEATER ON: GROUND	HEATER OFF: 12V
34 LB60-9	WINDSHIELD HEATER — STATE (ON/OFF)	STATE LIGHT ON: GROUND	LIGHT OFF: 12V
35 LB60-14	HEATED REAR WINDOW — STATE (ON/OFF)	STATE LIGHT ON: GROUND	LIGHT OFF: 12V

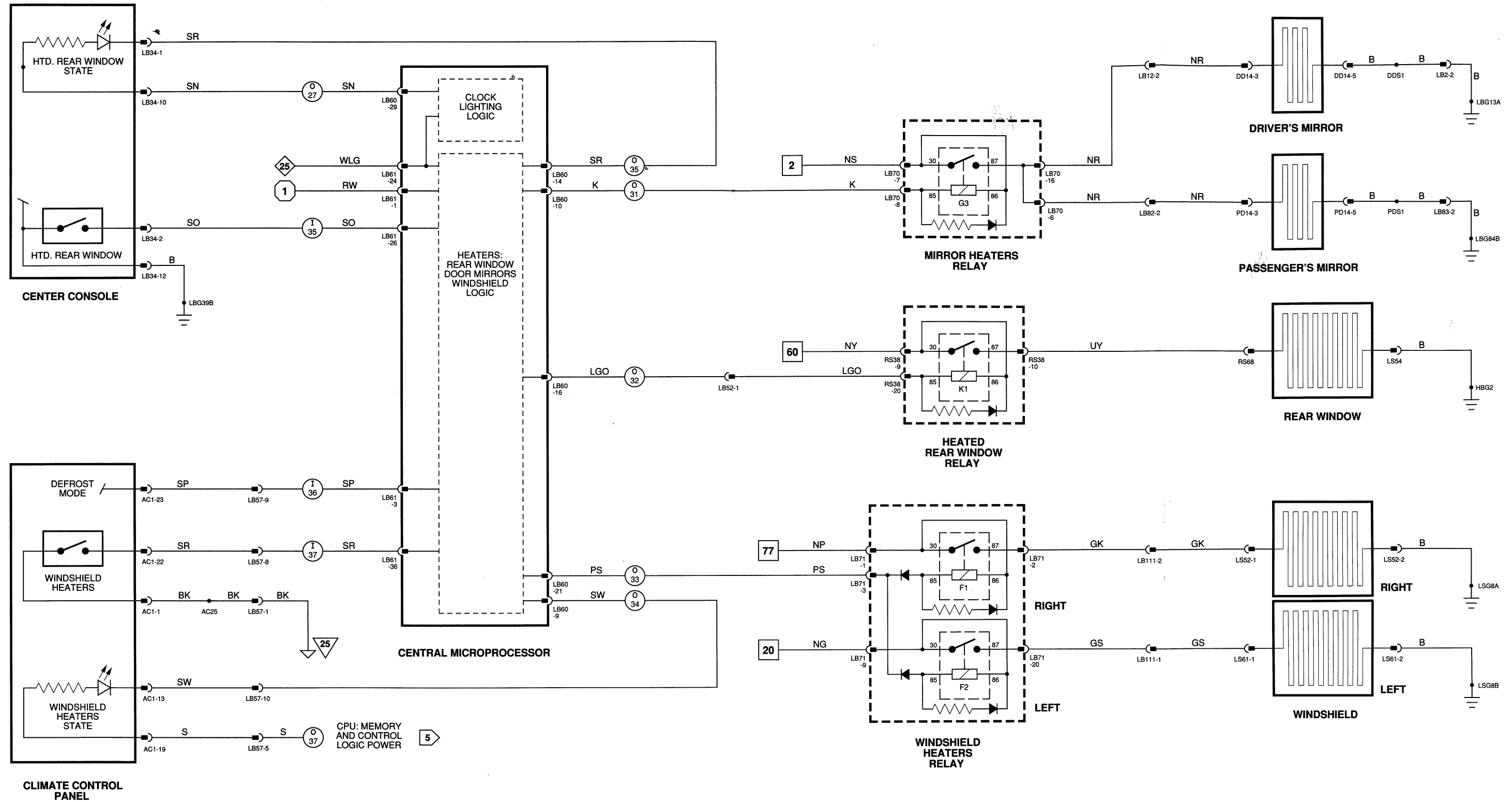


FIG 24 DATA

COMPONENTS

DESCRIPTION	LOCATION	ACCESS
CENTRAL MICROPROCESSOR	BEHIND GLOVE BOX	RIGHT DASH UNDER PANEL
COLUMN SWITCH GEAR (WIPE / WASH SWITCHES)	STEERING COLUMN	LEFT DASH UNDER PANEL
FASCIA SWITCH PACK	STEERING COLUMN, RIGHT	—
HEADLIGHT WASH PUMP	FASCIA	RIGHT FRONT LOWER FENDER
RELAY MODULE D (D1 — HEADLIGHT WASH RELAY) (D2 — WINDSHIELD WASH RELAY)	HEADLIGHT WASHER RESERVOIR	ENGINE COMPARTMENT
RELAY MODULE E (E1 — WIPER MOTOR RELAY) (E2 — WIPER SLOW / FAST RELAY)	BEHIND LEFT HEADLIGHT	ENGINE COMPARTMENT
WASHER FLUID LEVEL SENSOR	RIGHT FRONT WHEEL ARCH BEHIND PANEL	WHEEL ARCH PANEL
WINDSHIELD WASH PUMP	WASHER FLUID RESERVOIR	RIGHT FRONT WHEEL ARCH, BEHIND PANEL
WIPER MOTOR	LEFT BULKHEAD	ENGINE COMPARTMENT

CONNECTORS

CODE	DESCRIPTION	LOCATION / INTERFACE
LB9	12-WAY MULTILOCK 70 (WHITE)	LEFT 'A' POST, ABOVE FUSE PANEL / BULKHEAD HARNESS
LB10	20-WAY MULTILOCK 40 (BLACK)	REAR FACE OF LEFT BLOWER, UNDER FASCIA / BULKHEAD TO LF HARNESS
LB11	20-WAY MULTILOCK 40 (BLUE)	REAR FACE OF LEFT BLOWER, UNDER FASCIA / BULKHEAD TO LF HARNESS
LB20	20-WAY MULTILOCK 40 (BLUE)	LEFT DASH UNDER PANEL, BELOW FASCIA / FASCIA SWITCH PACK
LB22B	16-WAY MULTILOCK 40 (BLACK)	LEFT BLOWER MOTOR HOUSING BRACKET / LEFT SPLICE BOX
LB23B	16-WAY MULTILOCK 40 (BLUE)	LEFT BLOWER MOTOR HOUSING BRACKET / LEFT SPLICE BOX
LB24B	16-WAY MULTILOCK 40 (GREEN)	LEFT BLOWER MOTOR HOUSING BRACKET / LEFT SPLICE BOX
LB33	12-WAY MULTILOCK 40 (GREEN)	LOWER RIGHT OF STEERING COLUMN / STEERING COLUMN CYCLE SWITCH
LB35	12-WAY MULTILOCK 40 (BLACK)	LOWER RIGHT OF STEERING COLUMN / STEERING COLUMN SWITCH GEAR
LB60	48-WAY AMP PCB SIGNAL (YELLOW)	BEHIND GLOVE BOX ON CPU / CENTRAL MICROPROCESSOR
LB61	48-WAY AMP PCB SIGNAL (BLACK)	BEHIND GLOVE BOX ON CPU / CENTRAL MICROPROCESSOR
LB79B	16-WAY MULTILOCK 40 (BLACK)	RIGHT BLOWER MOTOR, ABOVE VACUUM VALVE / RIGHT SPLICE BOX
LB80B	16-WAY MULTILOCK 40 (GREEN)	RIGHT BLOWER MOTOR, ABOVE VACUUM VALVE / RIGHT SPLICE BOX
LB88	20-WAY MULTILOCK 40 (BLACK)	REAR FACE OF RIGHT BLOWER, UNDER FASCIA / BULKHEAD TO RF HARNESS
LS7	6-WAY ECONOSEAL III HC (BLACK)	LEFT BULKHEAD NEXT TO BRAKE RESERVOIR / WIPER MOTOR
LS70	20-WAY AMP PCB POWER (BLACK)	LEFT HEADLIGHT BRACKET BELOW HOOD HINGE / RELAY MODULE E
RS13	4-WAY ECONOSEAL III LC (BLACK)	RF WHEEL ARCH, BEHIND PANEL / WINDSHIELD WASH FLUID LEVEL SENSOR
RS14	2-WAY ECONOSEAL III HC (BLACK)	RF WHEEL ARCH, BEHIND PANEL / HEADLIGHT WASHER PUMP
RS21	20-WAY AMP PCB POWER (RED)	BEHIND RIGHT HEADLIGHT / RELAY MODULE D
SC2	6-WAY PMHD (YELLOW)	STEERING COLUMN SWITCH GEAR, LEFT / WASH/WIPE SWITCH
SW1	4-WAY ECONOSEAL III HC (BLACK)	BEHIND RIGHT FRONT WHEEL ARCH COVER / WINDSHIELD WASHER PUMP

GROUND

CODE	DESCRIPTION	LOCATION / INTERFACE
LSG8A	WHITE EYELET	ENGINE COMPARTMENT BULKHEAD BEHIND CYLINDER HEAD / GROUND
LSG27A	WHITE EYELET	ENGINE COMPARTMENT, LF, ADJACENT TO CRUISE CONTROL PUMP / GROUND
RSG6A	WHITE EYELET	ENGINE COMPARTMENT, RF, ADJACENT TO WASHER RESERVOIR / GROUND
RSG6B	WHITE EYELET	ENGINE COMPARTMENT, RF, ADJACENT TO WASHER RESERVOIR / GROUND

INPUTS / OUTPUTS

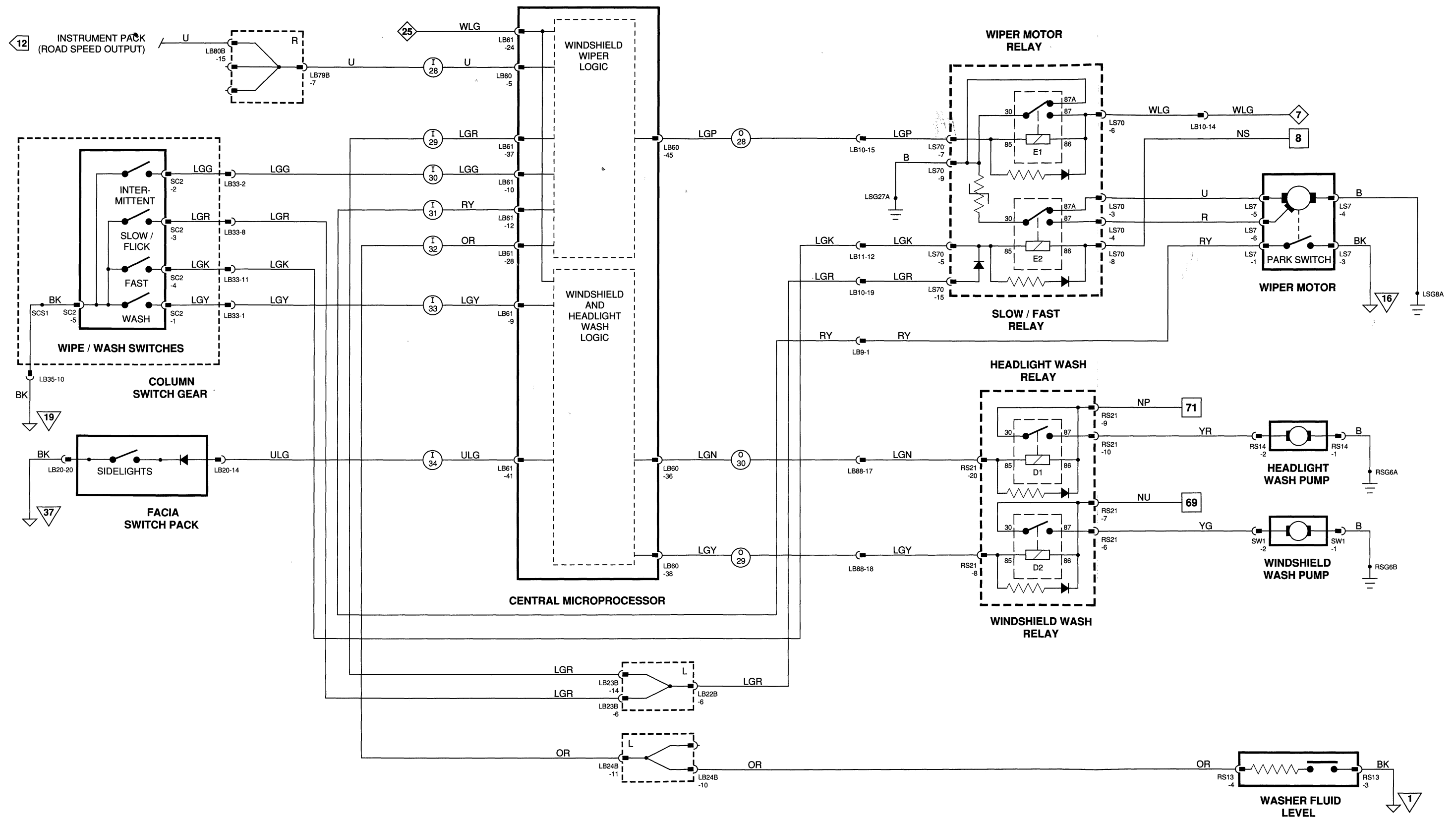
CENTRAL MICROPROCESSOR

INPUTS

CODE	CIRCUIT	ACTIVE	INACTIVE
LB61-24	IGNITION SWITCHED POWER	KEY ON: 12V	KEY OFF: OPEN CIRCUIT
28 LB60-5	ROAD SPEED INPUT	0 MPH: 5 mV AC	10 MPH: 2.2V AC
29 LB61-37	SLOW/FLICK WIPER SWITCH	SLOW OR FLICK: GROUND	WIPERS OFF: OPEN CIRCUIT
30 LB61-10	INTERMITTENT WIPER SWITCH	INTERMITTENT: GROUND	WIPERS OFF: OPEN CIRCUIT
31 LB61-12	WIPER PARK SWITCH	WIPER NOT PARKED: GROUND	WIPER PARKED: OPEN CIRCUIT
32 LB61-28	LOW WINDSHIELD WASHER FLUID	LEVEL NORMAL GROUND	LEVEL LOW: 12V
33 LB61-9	WASH / WIPE SWITCH	BUTTON PRESSED: GROUND	BUTTON RELEASED: OPEN CIRCUIT
34 LB61-41	SIDE LIGHTS ON WARNING	LIGHTS ON: GROUND	LIGHTS OFF: OPEN CIRCUIT

OUTPUTS

CODE	CIRCUIT	ACTIVE	INACTIVE
28 LB60-45	WIPER MOTOR	WIPERS SWEEPING: GROUND	WIPERS PARKED: 12V
29 LB60-38	WINDSHIELD WASHER MOTOR	PUMP ON: GROUND	PUMP OFF: 12V
30 LB60-36	HEADLIGHT WASHER MOTOR	PUMP ON WITH HEADLIGHTS: GROUND	PUMP OFF: 12V



BATTERY POWER (FIGS 1/L, 1/R)
 IGNITION POWER (FIG 2)
 IGNITION SWITCHED GROUND (FIG 3)
 LOGIC GROUND (FIG 4)
 CPU INPUTS / OUTPUTS (FIG 5)
 FIG NUMBER REFERENCE

FIG 25 DATA

COMPONENTS

DESCRIPTION	LOCATION	ACCESS
ABS DIAGNOSTIC CONNECTOR	LEFT TRUNK, WHEEL ARCH	TRUNK TRIM PANEL, LEFT
ABS MAIN VALVE	BRAKE ACTUATOR UNIT	LEFT BULKHEAD, ENGINE COMPARTMENT
ABS PUMP	RIGHT BULKHEAD	ENGINE COMPARTMENT, RIGHT
ABS RESERVOIR	ABOVE BRAKE ACTUATOR UNIT	LEFT BULKHEAD, ENGINE COMPARTMENT
ABS VALVE BLOCK	BRAKE ACTUATOR UNIT	LEFT BULKHEAD, ENGINE COMPARTMENT
ANTI-LOCK BRAKING ECU	LEFT TRUNK, WHEEL ARCH	TRUNK TRIM PANEL, LEFT
BRAKE SWITCH	ABOVE BRAKE PEDAL	LEFT DASH UNDER PANEL
COMBINED PRESSURE SWITCH	ABS PUMP UNIT	ENGINE COMPARTMENT, RIGHT
DIODE — LSD1	EXPOSED IN BULK. HARNESS, ENGINE COMPARTMENT	2" FORWARD OF ABS PUMP
DIODE — LSD2	EXPOSED IN BULK. HARNESS, LEFT 'A' POST	BEHIND #2 FUSE BOX
DIODE — LSD3	EXPOSED IN BULK. HARNESS, LEFT 'A' POST	BEHIND #2 FUSE BOX
HIGH MOUNT STOP LIGHT	REAR WINDOW	—
RELAY MODULE L	RIGHT REAR WHEEL ARCH	RIGHT TRUNK TRIM
(L1 — HIGH MOUNT STOP LIGHT RELAY)		
RELAY — ABS MAIN (LS13)	LEFT BLOWER MOTOR RELAY BRACKET	LEFT DASH UNDER PANEL
RELAY — ABS PUMP (LS5)	LEFT BLOWER MOTOR RELAY BRACKET	LEFT DASH UNDER PANEL
WHEEL SPEED SENSOR — LEFT FRONT	LEFT FRONT BRAKE DISC	LEFT FRONT BRAKE DISC
WHEEL SPEED SENSOR — LEFT REAR	LEFT REAR BRAKE DISC	LEFT REAR BRAKE DISC
WHEEL SPEED SENSOR — RIGHT FRONT	RIGHT FRONT BRAKE DISC	RIGHT FRONT BRAKE DISC
WHEEL SPEED SENSOR — RIGHT REAR	RIGHT REAR BRAKE DISC	RIGHT REAR BRAKE DISC

CONNECTORS

CODE	DESCRIPTION	LOCATION / INTERFACE
LB29	4-WAY MULTILOCK 70 (WHITE)	LOWER STEERING COLUMN, ABOVE BRAKE PEDAL / BRAKE/CRUISE SWITCH
LB51	12-WAY MULTILOCK 70 (WHITE)	BENEATH LEFT REAR SEAT BOX SECTION / REAR HARNESS
LB79A	12-WAY MULTILOCK 40 (BLACK)	RIGHT BLOWER MOTOR, ABOVE VACUUM VALVE / RIGHT SPLICE BOX
LS2	5-WAY LUCAR (BLUE)	RIGHT BULKHEAD ON ABS ACCUMULATOR / COMBINED PRESSURE SWITCH
LS3	2-WAY LUCAR (BLUE)	RIGHT BULKHEAD ADJACENT TO ABS PUMP / ABS PUMP
LS4	2-WAY ECONOSEAL III LC (BLACK)	ADJACENT TO POWER STEERING RESERVOIR / RF WHEEL SPEED SENSOR
LS5	RELAY BASE (YELLOW)	LEFT BLOWER MOTOR ON RELAY MOUNTING PANEL / ABS PUMP RELAY
LS12	PM 5 (BLACK)	TRUNK, LEFT, BY FUEL FILLER FLAP SOLENOID / ABS DIAGNOSTIC SOCKET
LS13	RELAY BASE (BLACK)	LEFT BLOWER MOTOR ON RELAY MOUNTING PANEL / ABS MAIN RELAY
LS17	2-WAY ECONOSEAL III LC (BLACK)	LEFT FRONT FENDER, UNDER COOLANT RESERVOIR / LF WHEEL SPEED SENSOR
LS19	5-WAY LUCAR (BLACK)	ON BRAKE FLUID RESERVOIR / BRAKE FLUID LEVEL SENSOR
LS20	2-WAY LUCAR (BLACK)	BELOW BRAKE FLUID RESERVOIR / ABS MAIN VALVE
LS21	7-WAY LUCAR (SLATE)	BELOW BRAKE FLUID RESERVOIR / ABS VALVE BLOCK
LS47	2-WAY ECONOSEAL III LC (BLACK)	TRUNK, LEFT, BEHIND SPARE TIRE / LR WHEEL SPEED SENSOR
LS49	2-WAY ECONOSEAL III LC (BLACK)	NEAR BATTERY, BELOW FUEL TANK / RR WHEEL SPEED SENSOR
LS50	55-WAY TRW (BLACK)	BELOW FUEL FILLER FLAP SOLENOID / ABS ECU
LS53	18-WAY MULTILOCK 70 (WHITE)	BEHIND LEFT TAIL LIGHT CLUSTER / LR BULB FAIL MODULE
RS35	3-WAY EDGE CONTACT (SLATE)	FITTED TO HIGH MOUNT STOP LIGHT / HIGH MOUNT STOPLIGHT
RS42	20-WAY AMP PCB POWER (BLACK)	BEHIND AND LEFT OF ANTENNA MOTOR / RELAY MODULE L

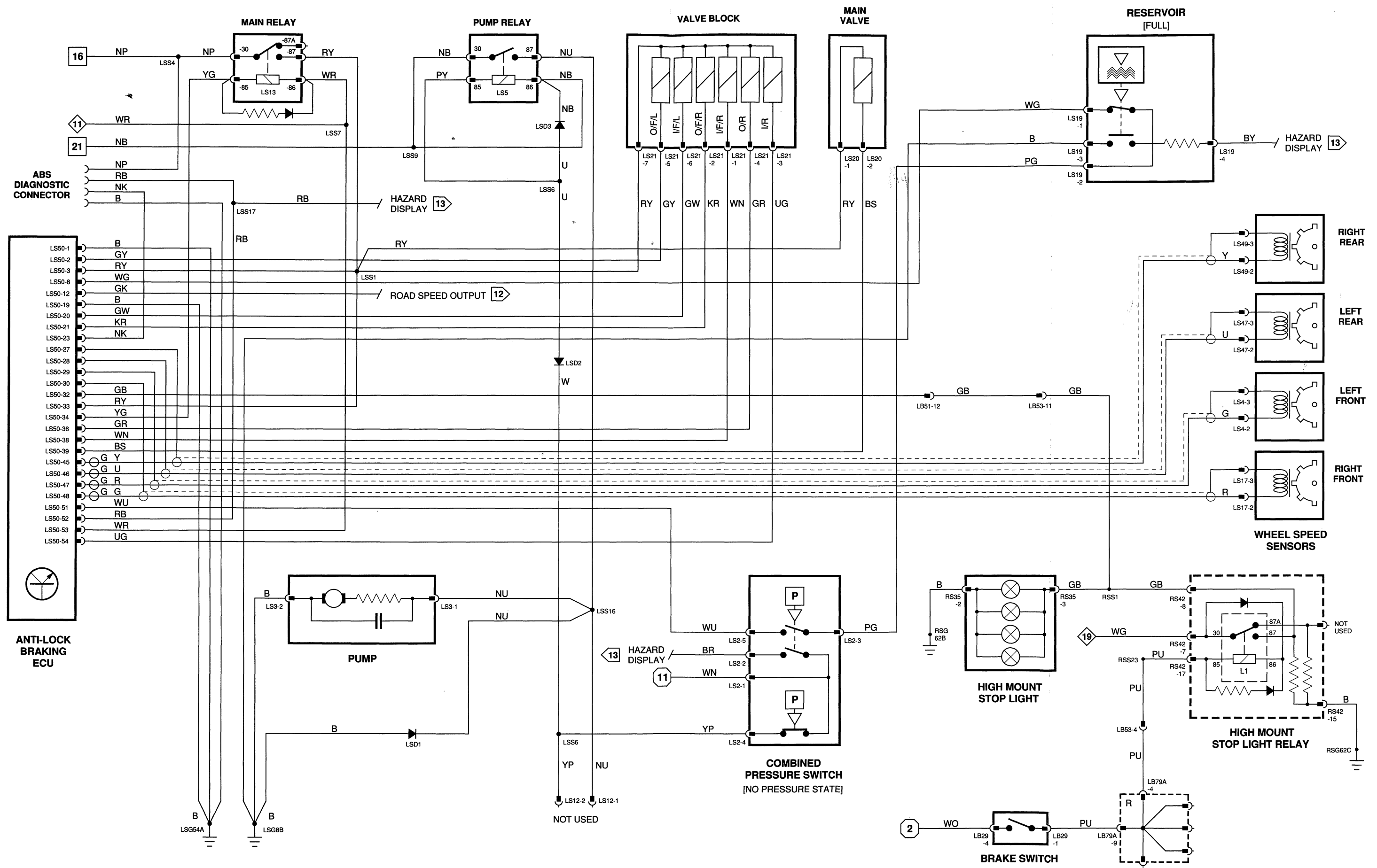
GROUNDS

CODE	DESCRIPTION	LOCATION / INTERFACE
LSG8B	WHITE EYELET	ENGINE COMPARTMENT, LF, ADJACENT TO CRUISE CONTROL PUMP / GROUND
LSG54A	WHITE EYELET	ENGINE COMPARTMENT, LF, ADJACENT TO CRUISE CONTROL PUMP / GROUND
RSG62B	WHITE EYELET	TRUNK, RIGHT, BELOW BULB FAIL MODULE / GROUND
RSG62C	WHITE EYELET	TRUNK, RIGHT, BELOW BULB FAIL MODULE / GROUND

INPUTS / OUTPUTS

ANTI-LOCK BRAKING ECU

CODE	IN / OUT	CIRCUIT	ACTIVE	INACTIVE
LS50-1	INPUT	POWER GROUND	GROUND	GROUND
LS50-2	INPUT	OUTLET VALVE — FRONT LEFT	GROUND	12V
LS50-3	INPUT	ABS MAIN RELAY	12V	OPEN CIRCUIT
LS50-8	OUTPUT	RESERVOIR FULL SWITCH	5V	GROUND
LS50-12	OUTPUT	INSTRUMENT PACK ROAD SPEED	0 MPH: 40 mV AC; 10 MPH: 105 mV AC; 30 MPH: 210 mV AC	
LS50-19	INPUT	POWER GROUND	GROUND	GROUND
LS50-20	INPUT	INPUT VALVE — FRONT LEFT	GROUND	12V
LS50-21	INPUT	OUTLET VALVE — FRONT RIGHT	GROUND	12V
LS50-23	OUTPUT	DIAGNOSTIC CONNECTOR	PULSED OUTPUT — JDS	
LS50-27	OUTPUT	WHEEL SPEED SENSOR SCREEN — RIGHT REAR	GROUND	GROUND
LS50-28	OUTPUT	WHEEL SPEED SENSOR SCREEN — LEFT REAR	GROUND	GROUND
LS50-29	OUTPUT	WHEEL SPEED SENSOR SCREEN — LEFT FRONT	GROUND	GROUND
LS50-30	OUTPUT	WHEEL SPEED SENSOR SCREEN — RIGHT FRONT	GROUND	GROUND
LS50-32	INPUT	BRAKE APPLIED SWITCH	12V	OPEN CIRCUIT
LS50-33	INPUT	ABS MAIN RELAY	12V	OPEN CIRCUIT
LS50-34	OUTPUT	ABS MAIN RELAY COIL	GROUND	12V
LS50-36	INPUT	OUTLET VALVE — REAR	GROUND	12V
LS50-38	INPUT	INLET VALVE — FRONT RIGHT	GROUND	12V
LS50-39	INPUT	MAIN VALVE	GROUND	OPEN CIRCUIT
LS50-45	INPUT	WHEEL SPEED SENSOR — RIGHT REAR	PULSED AC SIGNAL	0V
LS50-46	INPUT	WHEEL SPEED SENSOR — LEFT REAR	PULSED AC SIGNAL	0V
LS50-47	INPUT	WHEEL SPEED SENSOR — LEFT FRONT	PULSED AC SIGNAL	0V
LS50-48	INPUT	WHEEL SPEED SENSOR — RIGHT FRONT	PULSED AC SIGNAL	0V
LS50-51	INPUT	COMBINED PRESSURE SWITCH	5V	OPEN CIRCUIT
LS50-52	OUTPUT	DIAGNOSTIC CONNECTOR / HAZARD DISPLAY	PULSED OUTPUT — JDS	OPEN CIRCUIT
LS50-53	INPUT	IGNITION SWITCHED POWER	KEY ON: 12V	KEY OFF: OPEN CIRCUIT
LS50-54	INPUT	INLET VALVE — REAR	GROUND	OPEN CIRCUIT



BATTERY POWER (FIGS 1/L, 1/R)
 IGNITION POWER (FIG 2)
 IGNITION SWITCHED GROUND (FIG 3)
 LOGIC GROUND (FIG 4)
 CPU INPUTS / OUTPUTS (FIG 5)
 FIG NUMBER REFERENCE

FIG 26 DATA

COMPONENTS

DESCRIPTION	LOCATION	ACCESS
BRAKE SWITCH (BRAKE LIGHTS) (CRUISE CONTROL INHIBIT)	ABOVE BRAKE PEDAL ABOVE BRAKE PEDAL ABOVE BRAKE PEDAL	LEFT DASH UNDER PANEL LEFT DASH UNDER PANEL LEFT DASH UNDER PANEL
CRUISE CONTROL ECU	PASSENGER'S FOOTWELL	RIGHT DASH UNDER PANEL
DUMP VALVE	LEFT FRONT INNER FENDER	ENGINE COMPARTMENT
VACUUM PUMP AND CONTROL VALVE	LEFT FRONT INNER FENDER	ENGINE COMPARTMENT

CONNECTORS

CODE	DESCRIPTION	LOCATION / INTERFACE
LB9	12-WAY MULTILOCK 70 (WHITE)	LEFT 'A' POST, ABOVE FUSE PANEL / BULKHEAD HARNESS
LB26	18-WAY MULTILOCK 70 (YELLOW)	REAR OF TRIP COMPUTER BY STEERING COLUMN / TRIP COMPUTER
LB29	4-WAY MULTILOCK 70 (WHITE)	LOWER STEERING COLUMN, ABOVE BRAKE PEDAL / BRAKE/CRUISE SWITCH
LB30	2-WAY MULTILOCK 70 (YELLOW)	LOWER STEERING COLUMN, ABOVE BRAKE PEDAL / CRUISE LINK LEAD
LB66	20-WAY AMP PCB POWER (BLACK)	MOUNTING BRACKET UNDER GLOVE BOX / BULKHEAD HARNESS
LB79A	12-WAY MULTILOCK 40 (BLACK)	RIGHT BLOWER MOTOR, ABOVE VACUUM VALVE / RIGHT SPLICE BOX
LB79B	16-WAY MULTILOCK 40 (BLACK)	RIGHT BLOWER MOTOR, ABOVE VACUUM VALVE / RIGHT SPLICE BOX
LB80B	16-WAY MULTILOCK 40 (GREEN)	RIGHT BLOWER MOTOR, ABOVE VACUUM VALVE / RIGHT SPLICE BOX
LS30	CRUISE CONTROL PUMP (BLACK)	ON CRUISE CONTROL PUMP NEXT TO LEFT AIR INLET / CRUISE CONTROL PUMP
LS31	PM 5 (BLACK)	BEHIND LEFT HEADLIGHT NEAR AIR INLET / CRUISE CONTROL DUMP VALVE

INPUTS / OUTPUTS

CRUISE CONTROL ECU

CODE	IN / OUT	CIRCUIT	ACTIVE	INACTIVE
LB66-1	INPUT	IGNITION SWITCHED POWER	KEY ON: 12V	KEY OFF: OPEN CIRCUIT
LB66-3	OUTPUT	DUMP VALVE / PUMP UNIT	GROUND	12V
LB66-6	INPUT	ROAD SPEED	PULSED SIGNAL	KEY ON: 5V
LB66-10	OUTPUT	CONTROL VALVE	GROUND	12V
LB66-11	OUTPUT	LOGIC GROUND	GROUND	GROUND
LB66-12	INPUT	CRUISE CONTROL ON/OFF SWITCH	KEY ON: 12V	BRAKES APPLIED: OPEN CIRCUIT
LB66-14	OUTPUT	DUMP VALVE GROUND	GROUND	12V
LB66-15	INPUT	BRAKE SWITCH	BRAKES APPLIED: GROUND	BRAKES OFF: 12V
LB66-17	INPUT	SET / ACCEL. / RESUME SWITCH	SET / ACCEL.: 2.7V	RESUME / COAST: 5.5V
LB66-18	INPUT	TRANSMISSION CRUISE CONTROL INHIBIT	D, 3, 2: 12V	P, R, N: GROUND
LB66-20	INPUT	VACUUM PUMP GROUND	GROUND	12V

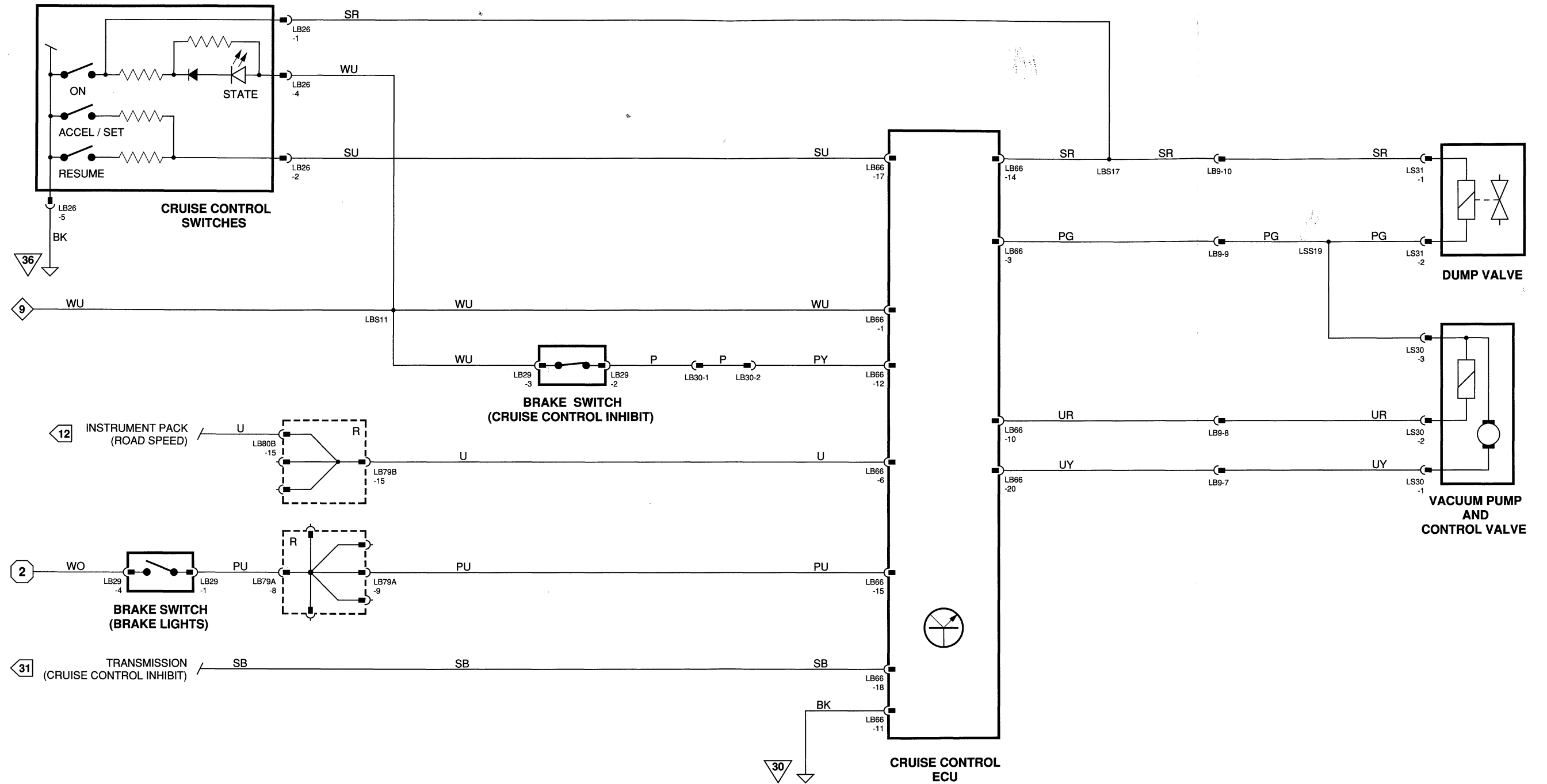


FIG 27 DATA

COMPONENTS

DESCRIPTION	LOCATION	ACCESS
ANTENNA	RIGHT REAR FENDER	—
ANTENNA MOTOR	TRUNK, RIGHT	TRUNK TRIM PANEL, RIGHT
CD AUTO CHANGER	TRUNK, RIGHT, ABOVE BATTERY	—
CD HEAD	CENTER CONSOLE / RADIO	RADIO
CENTRAL MICROPROCESSOR	BEHIND GLOVE BOX	RIGHT DASH UNDER PANEL
RADIO	CENTER CONSOLE	—
RELAY MODULE K	RIGHT REAR WHEEL ARCH	RIGHT TRUNK TRIM
(K2 — ANTENNA UP RELAY)		
(K3 — ANTENNA DOWN RELAY)		
SPEAKER — LEFT FRONT BASS	DRIVER'S DOOR	DRIVER'S DOOR CASING
SPEAKER — LEFT FRONT TWEETER	LEFT FRONT FASCIA	FASCIA
SPEAKER — LEFT REAR BASS	LEFT REAR DOOR	LEFT REAR DOOR CASING
SPEAKER — LEFT REAR TWEETER	LEFT PARCEL SHELF	PARCEL SHELF
SPEAKER — RIGHT FRONT BASS	PASSENGER'S DOOR	PASSENGER'S DOOR CASING
SPEAKER — RIGHT FRONT TWEETER	RIGHT FRONT FASCIA	FASCIA
SPEAKER — RIGHT REAR BASS	RIGHT REAR DOOR	RIGHT REAR DOOR CASING
SPEAKER — RIGHT REAR TWEETER	RIGHT PARCEL SHELF	PARCEL SHELF

CONNECTORS

CODE	DESCRIPTION	LOCATION / INTERFACE
DD12	2-WAY GROTE AND HARTMAN MDK (BLACK)	DRIVER'S DOOR, BOTTOM FRONT / LEFT FRONT BASS SPEAKER
FL1	2-WAY AMP MODU (BLACK)	UPPER LEFT FASCIA BY WINDSHIELD / LEFT FRONT TWEETER SPEAKER
FL2	2-WAY AMP MODU (BLACK)	UPPER RIGHT FASCIA BY WINDSHIELD / RIGHT FRONT TWEETER SPEAKER
LB11	20-WAY MULTILOCK 40 (BLUE)	REAR FACE OF LEFT BLOWER, UNDER FASCIA / BULKHEAD TO LF HARNESS
LB14	20-WAY MULTILOCK 40 (GREEN)	LEFT 'A' POST BOX SECTION / BULKHEAD HARNESS
LB22A	12-WAY MULTILOCK 40 (BLACK)	LEFT BLOWER MOTOR HOUSING BRACKET / LEFT SPLICE BOX
LB23A	12-WAY MULTILOCK 40 (BLUE)	LEFT BLOWER MOTOR HOUSING BRACKET / LEFT SPLICE BOX
LB24A	12-WAY MULTILOCK 40 (GREEN)	LEFT BLOWER MOTOR HOUSING BRACKET / LEFT SPLICE BOX
LB36	14-WAY MULTILOCK 70 (WHITE)	BEHIND CENTER CONSOLE RADIO / RADIO
LB53	12-WAY MULTILOCK 70 (WHITE)	BENEATH RIGHT REAR SEAT BOX SECTION / BULKHEAD TO REAR HARNESS
LB60	48-WAY AMP PCB SIGNAL (YELLOW)	BEHIND GLOVE BOX ON CPU / CENTRAL MICROPROCESSOR
LB61	48-WAY AMP PCB SIGNAL (BLACK)	BEHIND GLOVE BOX ON CPU / CENTRAL MICROPROCESSOR
LB80A	12-WAY MULTILOCK 40 (GREEN)	RIGHT BLOWER MOTOR, ABOVE VACUUM VALVE / RIGHT SPLICE BOX
LB80B	16-WAY MULTILOCK 40 (GREEN)	RIGHT BLOWER MOTOR, ABOVE VACUUM VALVE / RIGHT SPLICE BOX
LB81A	12-WAY MULTILOCK 40 (BLUE)	RIGHT BLOWER MOTOR, ABOVE VACUUM VALVE / RIGHT SPLICE BOX
LB81B	16-WAY MULTILOCK 40 (BLUE)	RIGHT BLOWER MOTOR, ABOVE VACUUM VALVE / RIGHT SPLICE BOX
LB82	20-WAY MULTILOCK 40 (BLACK)	RIGHT 'A' POST BOX SECTION / BULKHEAD HARNESS
LB87	20-WAY MULTILOCK 40 (GREEN)	REAR FACE OF RIGHT BLOWER, UNDER FASCIA / BULKHEAD TO RF HARNESS
LB98	12-WAY MULTILOCK 40 (BLUE)	ADJACENT TO A/C ECU, RIGHT / BULKHEAD HARNESS
LS40	2-WAY AMP MODU (BLACK)	LEFT PARCEL SHELF NEAR 'E' POST / LR TWEETER SPEAKER
PD12	2-WAY GROTE AND HARTMAN MDK (BLACK)	PASSENGER'S DOOR, BOTTOM FRONT / RIGHT FRONT BASS SPEAKER
RRD9	12-WAY MULTILOCK 40 (BLACK)	RIGHT 'B/C' POST BOX SECTION, BY SEAT BELT / RR HARNESS
RRD12	2-WAY GROTE AND HARTMAN MDK (BLACK)	RR DOOR, BOTTOM OF DOOR / RR BASS SPEAKER
RS22	DIN CABLE (BLACK)	BEHIND CD AUTOCHANGER / CD AUTOCHANGER CABLE
RS23	DIN CABLE (BLACK)	BEHIND RADIO / CD AUTOCHANGER CABLE
RS25	COAXIAL CABLE	BEHIND RADIO / ANTENNA UP/DOWN SIGNAL
RS26	COAXIAL CABLE	ANTENNA ASSEMBLY / ANTENNA COAXIAL
RS36	2-WAY AMP MODU (BLACK)	RIGHT PARCEL SHELF BY 'E' POST / RIGHT REAR TWEETER SPEAKER
RS38	20-WAY AMP PCTS POWER (BLUE)	BEHIND AND LEFT OF ANTENNA MOTOR / RELAY MODULE K
RS59	PM 5 (BLACK)	ADJACENT TO ANTENNA MOTOR ON WHEEL ARCH / ANTENNA MOTOR

GROUND

CODE	DESCRIPTION	LOCATION / INTERFACE
CEG2	WHITE EYELET	BENEATH RADIO AT CENTER CONSOLE STUD / GROUND
RSG62C	WHITE EYELET	TRUNK, RIGHT, BELOW BULB FAIL MODULE / GROUND

INPUTS / OUTPUTS

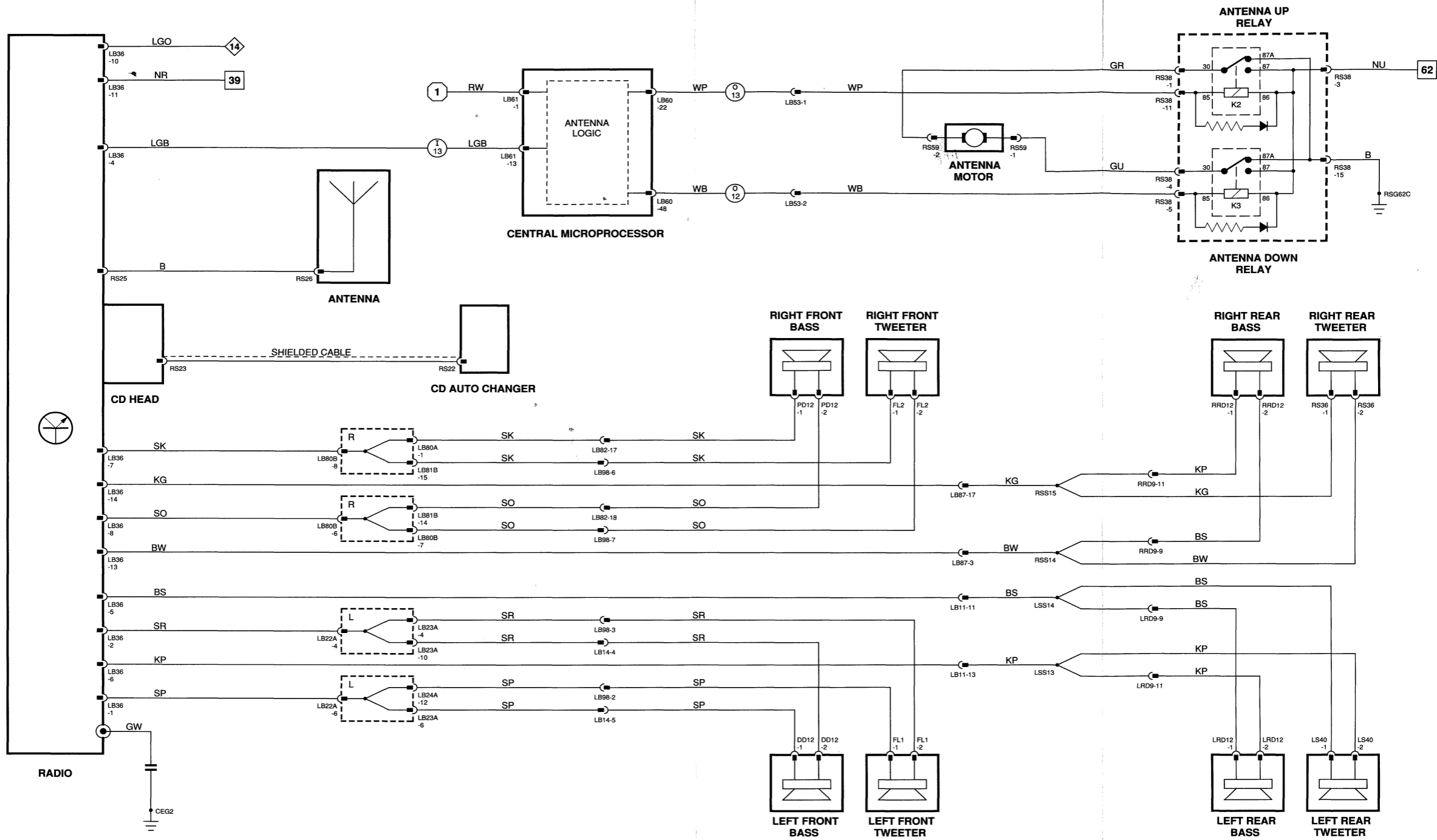
CENTRAL MICROPROCESSOR

INPUTS

CODE	CIRCUIT	ACTIVE	INACTIVE
13 LB61-13	RADIO ON INPUT (KEY ON)	RADIO ON: 12V	RADIO OFF: 0V
LB61-1	ENGINE START INPUT	IGNITION CRANK POSITION: GROUND	KEY OUT: OPEN CIRCUIT

OUTPUTS

CODE	CIRCUIT	ACTIVE	INACTIVE
12 LB60-48	ANTENNA DOWN	ANTENNA DOWN: GROUND	ANTENNA UP: 12V
13 LB60-22	ANTENNA UP	ANTENNA UP: GROUND	ANTENNA DOWN: 12V



BATTERY POWER (FIGS 1/L, 1/R)
 IGNITION POWER (FIG 2)
 IGNITION SWITCHED GROUND (FIG 3)
 LOGIC GROUND (FIG 4)
 CPU INPUTS / OUTPUTS (FIG 5)
 FIG NUMBER REFERENCE

FIG 28 DATA

COMPONENTS

DESCRIPTION

AMBIENT TEMPERATURE SENSOR
 ASPIRATOR
 BLOWER — LEFT
 BLOWER — RIGHT
 CLIMATE CONTROL MICROPROCESSOR
 CLIMATE CONTROL PANEL
 CLIMATE CONTROL SOLENOID VALVE BLOCK
 COOLANT TEMPERATURE SWITCH
 EVAPORATOR TEMPERATURE SENSOR
 FEEDBACK POTENTIOMETER — LOWER
 FEEDBACK POTENTIOMETER — UPPER
 IN-CAR TEMPERATURE SENSOR
 MAIN RECIRCULATION SOLENOID
 SERVO — LOWER
 SERVO — UPPER
 SOLAR SENSOR

LOCATION

LOWER A/C DISCHARGE, RF
 LOWER A/C DISCHARGE, RF
 LEFT BULKHEAD
 RIGHT BULKHEAD
 RIGHT SIDE OF EVAPORATOR CASE
 CENTER CONSOLE ABOVE RADIO
 BELOW LEFT A/C CASE
 HEATER CORE, LEFT, ON PIPE
 EVAPORATOR CASE, RIGHT
 EVAPORATOR CASE, LEFT LOWER
 EVAPORATOR CASE, LEFT UPPER
 LOWER A/C DISCHARGE, RF
 BENEATH EVAPORATOR CASE, RIGHT
 LOWER EVAPORATOR CASE, RIGHT
 UPPER EVAPORATOR CASE, RIGHT
 CENTER OF FASCIA

ACCESS

RIGHT DASH UNDER PANEL
 RIGHT DASH UNDER PANEL
 LEFT DASH UNDER PANEL
 RIGHT DASH UNDER PANEL
 RIGHT DASH UNDER PANEL
 —
 CONSOLE CHECK PANEL, LEFT
 A/C HOUSING, LEFT
 RIGHT DASH UNDER PANEL
 LEFT DASH UNDER PANEL
 LEFT DASH UNDER PANEL
 RIGHT DASH UNDER PANEL
 RIGHT DASH UNDER PANEL
 RIGHT DASH UNDER PANEL
 RIGHT DASH UNDER PANEL

CONNECTORS

CODE DESCRIPTION

AC1 24-WAY AMP PCB SIGNAL (BLACK)
 AC2 15-WAY JST FIXED (WHITE)
 AC3 15-WAY JST FIXED (WHITE)
 AC4 15-WAY JST FIXED (WHITE)
 AC5 5-WAY JST LOOSE (BLACK)
 AC6 8-WAY JST LOOSE (BLACK)
 AC9 3-WAY JST (BLUE)
 AC10 3-WAY JST (BLACK)
 AC11 3-WAY JST (BLACK)
 AC12 3-WAY JST (RED)
 AC13 3-WAY JST (RED)
 AC14 BLADE CONNECTOR (WHITE)
 AC15 BLADE CONNECTOR (WHITE)
 AC26 6-WAY SUMITOMO (WHITE)
 AC27 3-WAY JST (WHITE)
 AC28 6-WAY MULTILOCK 70 (WHITE)
 AC29 .250 BLADE (WHITE)
 AC30 .250 BLADE (WHITE)
 FL3 6-WAY AMP MODU (BLACK)
 FL4 4-WAY AMP MODU (BLACK)
 LB32 PM 5 (BROWN)
 LB57 12-WAY MULTILOCK 40 (BLACK)
 LB62 PM 5 (BROWN)

LOCATION / INTERFACE

BEHIND CLIMATE CONTROL PANEL / CLIMATE CONTROL PANEL
 A/C ECU TOP CONNECTOR
 A/C ECU MIDDLE CONNECTOR
 A/C ECU BOTTOM CONNECTOR
 LEFT OF A/C CASE BY BULKHEAD / LEFT BLOWER MOTOR
 RIGHT OF A/C CASE BY BULKHEAD / RIGHT BLOWER MOTOR
 ADJACENT TO A/C ECU / EVAPORATOR TEMPERATURE SENSOR
 LEFT OF A/C CASE / UPPER FEEDBACK POTENTIOMETER
 LEFT OF A/C CASE / LOWER FEEDBACK POTENTIOMETER
 RIGHT OF A/C CASE / LOWER SERVO MOTOR
 RIGHT OF A/C CASE / UPPER SERVO MOTOR
 LEFT OF A/C CASE / COOLANT TEMPERATURE SWITCH
 LEFT OF A/C CASE / COOLANT TEMPERATURE SWITCH
 RIGHT DASH UNDER PANEL / BLOWN ASPIRATOR AND IN-CAR TEMPERATURE SENSOR
 PASSENGER'S LOWER AIR REGISTER / IN-CAR TEMPERATURE SENSOR
 LEFT OF A/C CASE, BELOW / DEFROST SOLENOID
 RIGHT OF A/C CASE, BELOW / MAIN RECIRCULATION SOLENOID
 RIGHT OF A/C CASE, BELOW / MAIN RECIRCULATION SOLENOID
 TOP CENTER OF FASCIA / SOLAR SENSOR
 RIGHT OF A/C CASE BY A/C ECU / A/C HARNESS TO SOLAR SENSOR
 LEFT BLOWER MOTOR / BLOWER HIGH SPEED AND ISOLATION RELAY
 BELOW A/C CASE, RIGHT, NEAR A/C ECU / BULKHEAD HARNESS
 BEHIND CPU BRACKET / BLOWER MOTOR HIGH SPEED/ISOLATION RELAY

GROUND

CODE DESCRIPTION

LBG13B WHITE EYELET
 LBG39C WHITE EYELET
 LBG84A WHITE EYELET

LOCATION / INTERFACE

ABOVE LEFT FUSE PANEL ON 'A' POST / GROUND
 CENTER CONSOLE GROUND STUD BEHIND 'J' GATE / GROUND
 ABOVE RIGHT FUSE PANEL ON 'A' POST / GROUND

INPUTS / OUTPUTS

CLIMATE CONTROL MICROPROCESSOR

CODE IN / OUT CIRCUIT

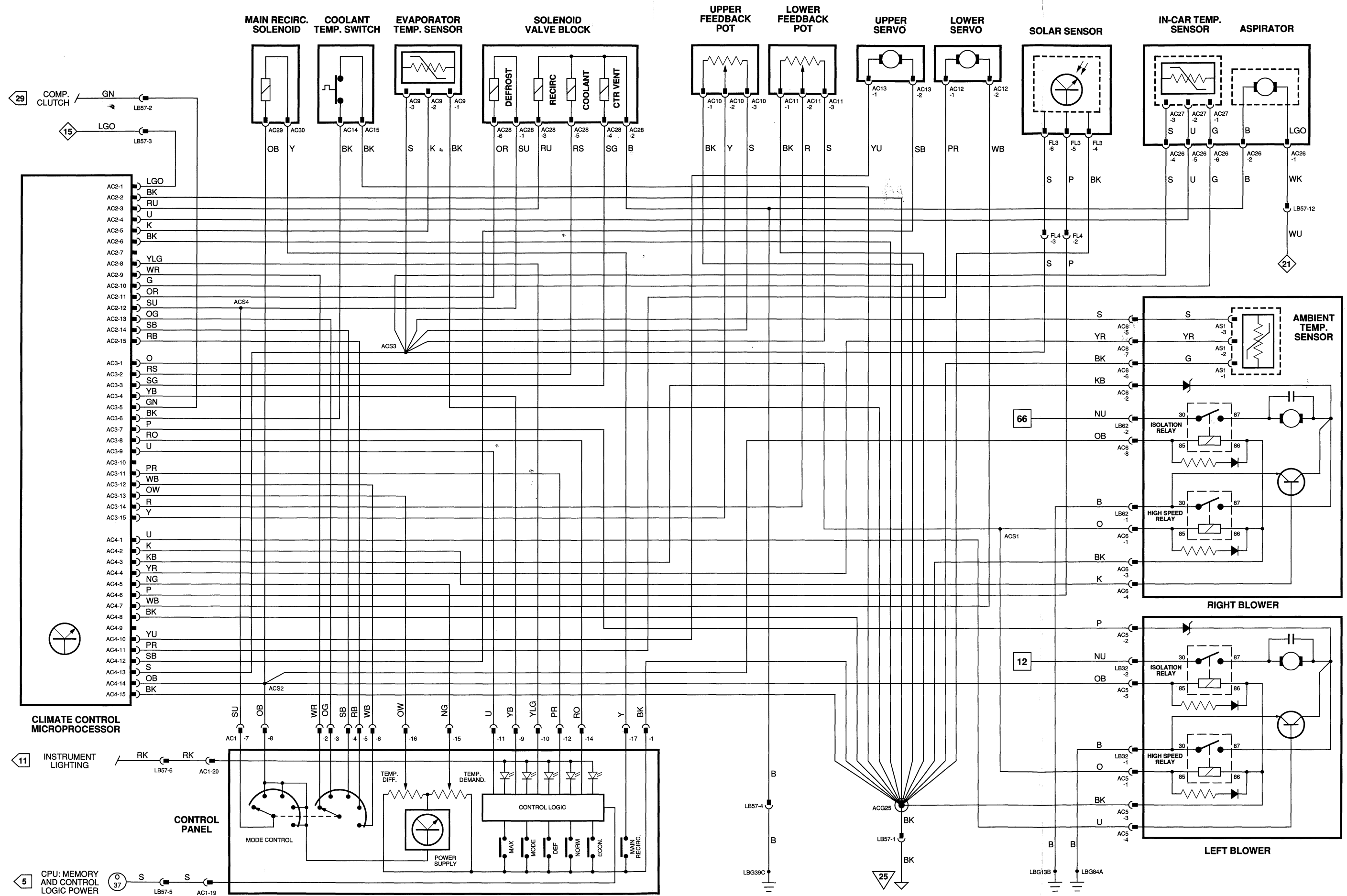
AC2-1 INPUT IGNITION SWITCHED POWER
 AC2-2 INPUT LOGIC GROUND
 AC2-3 OUTPUT RECIRCULATION FLAP SOLENOID
 AC2-4 INPUT IN-CAR TEMPERATURE SENSOR WIPER
 AC2-5 INPUT EVAPORATOR TEMPERATURE SENSOR WIPER
 AC2-6 INPUT LOGIC GROUND
 AC2-7 NOT USED
 AC2-8 INPUT CONTROL PANEL — DEMIST
 AC2-9 INPUT CONTROL PANEL — ON INPUT
 AC2-10 INPUT IN-CAR TEMPERATURE SENSOR GROUND
 AC2-11 OUTPUT DEFROSTER SOLENOID
 AC2-12 OUTPUT DEFROSTER SOLENOID
 AC2-13 INPUT CONTROL PANEL — FAN SPEED LOW
 AC2-14 INPUT CONTROL PANEL — FAN SPEED MED
 AC2-15 INPUT CONTROL PANEL — FAN SPEED HI
 AC3-1 OUTPUT HIGH SPEED BLOWER MOTOR RELAYS
 AC3-2 OUTPUT COOLANT VACUUM VALVE SOLENOID
 AC3-3 OUTPUT CENTER VENT VACUUM VALVE SOLENOID
 AC3-4 INPUT CONTROL PANEL — MANUAL/AUTO
 AC3-5 OUTPUT COMPRESSOR CLUTCH RELAY
 AC3-6 INPUT COOLANT TEMPERATURE SWITCH
 AC3-7 OUTPUT LEFT BLOWER MOTOR FEEDBACK (MAN. MODE SELECTED)
 AC3-8 INPUT CONTROL PANEL — ECONOMY (ON) SWITCH
 AC3-9 INPUT CONTROL PANEL — MAX
 AC3-10 NOT USED
 AC3-11 INPUT CONTROL PANEL — ON/NORMAL
 AC3-12 INPUT CONTROL PANEL — DEFROST
 AC3-13 INPUT CONTROL PANEL — FASCIA SLIDE
 AC3-14 INPUT LOWER FEEDBACK POTENTIOMETER VOLTAGE
 AC3-15 INPUT UPPER FEEDBACK POTENTIOMETER VOLTAGE
 AC4-1 INPUT LEFT BLOWER MOTOR POWER TRANSISTOR (MANUAL MODE)
 AC4-2 INPUT RIGHT BLOWER MOTOR POWER TRANSISTOR (MANUAL MODE)
 AC4-3 INPUT RIGHT BLOWER MOTOR FEEDBACK (MANUAL MODE)
 AC4-4 INPUT AMBIENT TEMPERATURE SENSOR WIPER
 AC4-5 INPUT CONTROL PANEL TEMPERATURE DEMAND
 AC4-6 INPUT SOLAR SENSOR LOAD
 AC4-7 OUTPUT LOWER SERVO MOTOR
 AC4-8 INPUT LOGIC GROUND
 AC4-9 NOT USED
 AC4-10 OUTPUT UPPER SERVO MOTOR
 AC4-11 OUTPUT LOWER SERVO MOTOR
 AC4-12 OUTPUT UPPER SERVO MOTOR
 AC4-13 OUTPUT SENSOR REFERENCE VOLTAGE
 AC4-14 INPUT MAIN RECIRCULATION DEMAND
 AC4-15 INPUT LOGIC GROUND

ACTIVE

KEY ON: 12V
 GROUND
 RECIRC. MAX. PRESSED: 12V
 SYSTEM ON: 2.73V + 0.1V/°C
 2.73V @ 0°C
 GROUND
 DEMIST ON: GROUND
 LOW, MED, HIGH, DEF: 12V
 GROUND
 DEFROST/DEMIST: 12V
 SYSTEM ON: 12V
 LOW: GROUND
 MED: GROUND
 HI: GROUND
 12V
 GROUND
 12V
 MANUAL ON: GROUND
 12V
 ABOVE 104°F (40°C): 5V
 LOW: 8V; MED: 5V; HI, DEF: LESS THAN 1V
 ON: 4V
 MAX ON: GROUND
 ON: GROUND
 DEF: GROUND
 COOLER FASCIA VENTS: 2.9V
 FULL COOL: 0.1V; FULL HEAT: 1.1V; DEFROST: 2.9V
 FULL COOL: 0.1V; FULL HEAT: 1.9V; DEFROST: 1.9V
 LOW: 1.27V; MED: 1.46V; HI, DEF: 0.9V
 LOW: 1.27V; MED: 1.46V; HI, DEF: 0.9V
 LOW: 8V; MED: 5V; HI, DEF: LESS THAN 1V
 2.93V 20°C
 FULL COOL: 0.06V
 MAX. LIGHT: 2.88V
 DRIVE VOLTAGE: 7V
 GROUND
 DRIVE VOLTAGE: 7V
 DRIVE VOLTAGE: 7V
 DRIVE VOLTAGE: 7V
 5V
 LOW, MED, HI, DEF: 12V
 GROUND

INACTIVE

KEY OFF: OPEN CIRCUIT
 GROUND
 OPEN CIRCUIT
 SYSTEM OFF: OPEN CIRCUIT
 2.93V @ 20°C
 GROUND
 DEMIST OFF: 4V
 OFF: OPEN CIRCUIT
 GROUND
 GROUND
 SYSTEM OFF: OPEN CIRCUIT
 MED, HI, DEF: 4V
 LOW, HI, DEF: 4V
 LOW, MED, DEF: 4V
 OPEN CIRCUIT
 12V
 OPEN CIRCUIT
 MANUAL OFF: 4V
 OPEN CIRCUIT
 BELOW 103°F: GROUND
 OFF: GROUND
 MAX OFF: 4V
 NORMAL: 4V
 LOW, MED, HI: 4V
 SAME: 0.03V
 SYSTEM OFF: 0V
 FULL HOT: 2.9V
 DARK: 0.02V
 HOLD VOLTAGE: LESS THAN 1V
 GROUND
 HOLD VOLTAGE: LESS THAN 1V
 HOLD VOLTAGE: LESS THAN 1V
 HOLD VOLTAGE: LESS THAN 1V
 5V
 OFF: OPEN CIRCUIT
 GROUND



BATTERY POWER (FIGS 1/L, 1/R)
 IGNITION POWER (FIG 2)
 IGNITION SWITCHED GROUND (FIG 3)
 LOGIC GROUND (FIG 4)
 CPU INPUTS / OUTPUTS (FIG 5)
 ▶ FIG NUMBER REFERENCE

FIG 29 DATA

COMPONENTS

DESCRIPTION	LOCATION	ACCESS
AIR CONDITIONING COMPRESSOR CLUTCH	ENGINE, RIGHT FRONT	ENGINE COMPARTMENT
DIODE — FED1	EXPOSED IN ENGINE MANAGEMENT HARNESS	BEHIND RIGHT AUXILIARY COOLING FAN
FAN MOTOR — LEFT	LEFT BULKHEAD	LEFT DASH UNDER PANEL
FAN MOTOR — RIGHT	RIGHT BULKHEAD	RIGHT DASH UNDER PANEL
RADIATOR THERMAL SWITCH	RADIATOR, LOWER LEFT	ENGINE COMPARTMENT
REFRIGERANT PRESSURE SWITCH (SINGLE)	HIGH PRESSURE REFRIGERANT PUMP	ADJACENT TO ABS PUMP
REFRIGERANT PRESSURE SWITCH (TRIPLE)	HIGH PRESSURE REFRIGERANT PUMP	ADJACENT TO ABS PUMP
RELAY MODULE — FAN CONTROL	LEFT FRONT INNER FENDER	ENGINE COMPARTMENT
RELAY — A/C COMPRESSOR CLUTCH (FE47)	RIGHT BLOWER MOTOR RELAY BRACKET	RIGHT DASH UNDER PANEL

CONNECTORS

CODE	DESCRIPTION	LOCATION / INTERFACE
CF1	2-WAY REINSHAGEN 630 (BLACK)	ATTACHED TO LEFT COOLING FAN ON RADIATOR / LEFT FAN MOTOR
CF2	2-WAY REINSHAGEN 630 (BLACK)	ATTACHED TO RIGHT COOLING FAN ON RADIATOR / RIGHT FAN MOTOR
FE6	PM 5 (GREEN)	ENGINE, RIGHT, ABOVE A/C COMPRESSOR / A/C COMPRESSOR
FE7	2-WAY ECONOSEAL III LC (BLACK)	RIGHT BULKHEAD, ENGINE COMPARTMENT / REFRIGERANT PRESSURE SWITCH
FE16	4-WAY ECONOSEAL III LC (BLACK)	ADJACENT TO ABS PUMP / REFRIGERANT PRESSURE SWITCH
FE47	RELAY BASE (GREEN)	RIGHT BULKHEAD RELAY PANEL / A/C COMPRESSOR RELAY
LB57	12-WAY MULTILOCK 40 (BLACK)	BELOW A/C CASE, RIGHT, NEAR A/C ECU / BULKHEAD HARNESS
LB79B	16-WAY MULTILOCK 40 (BLACK)	RIGHT BLOWER MOTOR, ABOVE VACUUM VALVE / RIGHT SPLICE BOX
LB80B	16-WAY MULTILOCK 40 (GREEN)	RIGHT BLOWER MOTOR, ABOVE VACUUM VALVE / RIGHT SPLICE BOX
LB85	20-WAY MULTILOCK 70 (WHITE)	RIGHT DASH UNDER PANEL BY 'A' POST / BULKHEAD HARNESS
LS6	13-WAY ECONOSEAL III LC (BLACK)	RIGHT BULKHEAD ADJACENT TO ABS PUMP / RIGHT SIDE HARNESS
LS26	4-WAY ECONOSEAL III LC (BLACK)	BEHIND LF DIRECTIONAL ASSEMBLY / LEFT SIDE HARNESS
LS58	3-WAY LUCAR (BLACK)	BOTTOM LEFT OF RADIATOR / RADIATOR THERMAL SWITCH
LS68	8-WAY STRIEBEL (BLACK)	LEFT FRONT INNER FENDER / FAN CONTROL RELAY MODULE

GROUND S

CODE	DESCRIPTION	LOCATION / INTERFACE
FEG35	WHITE EYELET	ENGINE COMPARTMENT BULKHEAD BEHIND CYLINDER HEAD / GROUND
FEG36	WHITE EYELET	ENGINE COMPARTMENT BULKHEAD BEHIND CYLINDER HEAD / GROUND
LSG27A	WHITE EYELET	ENGINE COMPARTMENT, LF, ADJACENT TO CRUISE CONTROL PUMP / GROUND
LSG27B	WHITE EYELET	ENGINE COMPARTMENT, LF, ADJACENT TO CRUISE CONTROL PUMP / GROUND

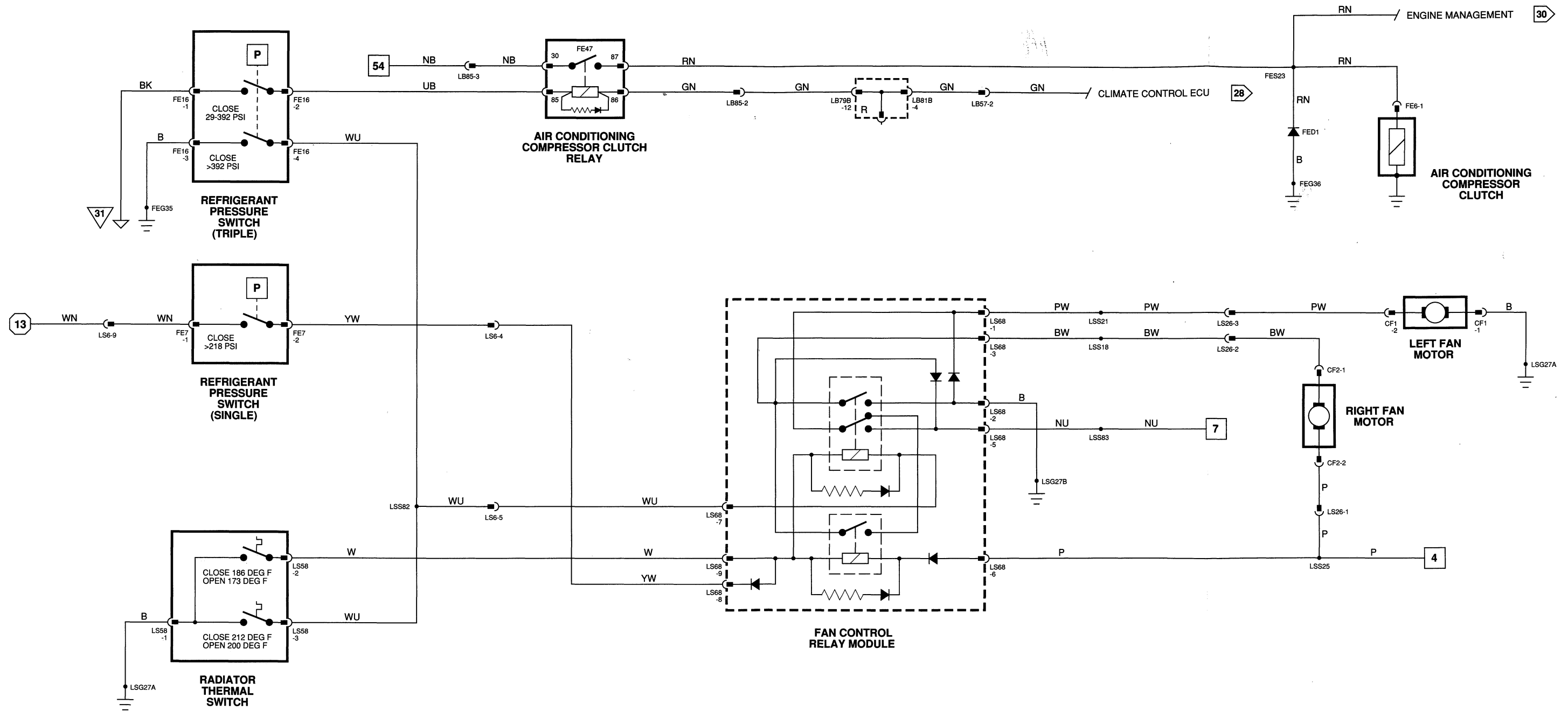


FIG 30 DATA

COMPONENTS

DESCRIPTION	LOCATION	ACCESS
AIR INJECTION PUMP	BELOW AIR FILTER	ENGINE COMPARTMENT
AIR INJECTION SOLENOID VALVE	ABOVE AIR INJECTION PUMP	ENGINE COMPARTMENT
AIR TEMPERATURE SENSOR	AIR INTAKE ELBOW	ENGINE COMPARTMENT
COOLANT TEMPERATURE SENSOR	THERMOSTAT HOUSING — ENGINE	ENGINE COMPARTMENT
CRANKSHAFT SENSOR	FRONT OF CRANKSHAFT	ENGINE COMPARTMENT
DIODE — FED2	EXPOSED IN ENGINE MANAGEMENT HARNESS	ABOVE AIR INJECTION PUMP
DIODE — FED3	EXPOSED IN ENGINE MANAGEMENT HARNESS	INSIDE BULKHEAD SEAL BELOW RIGHT HOOD LATCH
EGR SOLENOID VACUUM VALVE	INTAKE MANIFOLD	BETWEEN INJECTORS 5 & 6
EGR TEMPERATURE SENSOR	BELOW THROTTLE BODY	ENGINE COMPARTMENT
ENGINE CONTROL MODULE	RIGHT UNDER DASH PANEL	RIGHT UNDER DASH PANEL
FUEL INJECTORS	INTAKE MANIFOLD	ENGINE COMPARTMENT
FUEL PUMP	INSIDE FUEL TANK	REMOVE TANK
IDLE SPEED ACTUATOR	BETWEEN INTAKE RUNNERS 2 AND 3	ENGINE COMPARTMENT
IGNITION AMPLIFIER	RIGHT FRONT INNER FENDER	ENGINE COMPARTMENT
IGNITION COIL	RIGHT FRONT INNER FENDER	ENGINE COMPARTMENT
MASS AIR FLOW METER	INTAKE, BEHIND AIR FILTER	ENGINE COMPARTMENT
OXYGEN SENSOR	EXHAUST DOWNPIPE	ENGINE COMPARTMENT
PURGE VALVE	CHARCOAL CANISTER	LEFT FRONT INNER FENDER, LOWER
RELAY — AIR INJECTION (FE34)	RIGHT BULKHEAD RELAY PANEL	ENGINE COMPARTMENT
RELAY — EMS MAIN (FE38)	RIGHT BULKHEAD RELAY PANEL	ENGINE COMPARTMENT
RELAY — FUEL PUMP (RS18)	TRUNK, RIGHT	RIGHT TRUNK TRIM
RELAY — OXYGEN SENSOR HEATER (FE44)	RIGHT BULKHEAD RELAY PANEL	ENGINE COMPARTMENT
RFI PROTECTION MODULE	ABOVE FUEL TANK	FUEL TANK TRIM PANEL
THROTTLE POSITION SENSOR	BELOW THROTTLE BODY	ENGINE COMPARTMENT

CONNECTORS

CODE	DESCRIPTION	LOCATION / INTERFACE
FE1	WHITE EYELET	RF INNER FENDER AT IGNITION COIL / COIL POSITIVE
FE2	WHITE EYELET	RF INNER FENDER AT IGNITION COIL / COIL NEGATIVE
FE3	WHITE EYELET	RF INNER FENDER, FRONT OF IGNITION AMPLIFIER / AMPLIFIER GROUND
FE4	7-WAY LUCAR (BLACK)	RF INNER FENDER AT IGNITION AMPLIFIER / AMPLIFIER
FE5	WHITE EYELET	RF INNER FENDER AT IGNITION COIL STRAP / COIL GROUND
FE9	PM 5 (BLACK)	ABOVE TOP RADIATOR HOSE / CRANKSHAFT SENSOR
FE12	2-WAY LUCAR (BROWN)	MOUNTED ON THERMOSTAT HOUSING NEAR TOP HOSE / COOLANT THERMISTOR
FE14	2-WAY NIPPON DENSO (BLUE)	ABOVE AIR INJECTION PUMP / AIR INJECTION SOLENOID VALVE
FE15	PM 5 (BLACK)	ABOVE AIR INJECTION PUMP / AIR INJECTION PUMP
FE17	2-WAY ECONOSEAL III LC (BLACK)	BELOW AIR INTAKE / EGR TEMPERATURE SENSOR
FE18	2-WAY LUCAR (BLACK)	ON AIR INTAKE, BEHIND MASS AIR FLOW METER / AIR TEMPERATURE SENSOR
FE19	6-WAY SUMITOMO ATTACH. (BLACK)	BELOW CRUISE CONTROL BELLOWS / THROTTLE POSITION SENSOR
FE20	6-WAY LUCAR (BLACK)	ON MASS AIR FLOW METER (MAF) / MAF
FE21	2-WAY LUCAR (SLATE)	ABOVE INLET PORT #1 / INJECTOR #1
FE22	2-WAY LUCAR (SLATE)	ABOVE INLET PORT #2 / INJECTOR #2
FE23	2-WAY LUCAR (SLATE)	ABOVE INLET PORT #3 / INJECTOR #3
FE24	4-WAY PACKARD (BLACK)	BETWEEN CYLINDERS 2 AND 3 / IDLE SPEED ACTUATOR
FE25	2-WAY LUCAR (SLATE)	ABOVE INLET PORT #4 / INJECTOR #4
FE26	2-WAY LUCAR (BLACK)	BELOW HEATED BREATHER / INTAKE HEATED BREATHER
FE27	2-WAY LUCAR (SLATE)	ABOVE INLET PORT #5 / INJECTOR #5
FE30	2-WAY NIPPON DENSO (BLUE)	REAR OF #6 INLET PORT, BELOW WIPER MOTOR / EGR SOLENOID
FE31	2-WAY LUCAR (BLACK)	ADJACENT TO DIPSTICK / OXYGEN SENSOR
FE32	.250 BLADE (WHITE)	ADJACENT TO DIPSTICK / OXYGEN SENSOR
FE34	RELAY BASE (RED)	RIGHT BULKHEAD RELAY PANEL / AIR INJECTION RELAY
FE38	RELAY BASE (BLACK)	RIGHT BULKHEAD RELAY PANEL / EMS MAIN RELAY
FE40	25-WAY ECM (BLUE)	RIGHT DASH UNDER PANEL / ECM HIGH POWER BOARD
FE41	25-WAY ECM (YELLOW)	RIGHT DASH UNDER PANEL / ECM LOW POWER BOARD
FE44	RELAY BASE (YELLOW)	RIGHT BULKHEAD RELAY PANEL / OXYGEN SENSOR HEATER RELAY
FE46	2-WAY LUCAR (BLACK)	LF INNER FENDER NEAR WHEEL ARCH / PURGE CONTROL VALVE
FP1	2-WAY ECONOSEAL III HC (BLACK)	RFI MODULE, TOP OF FUEL TANK / FUEL PUMP HARNESS
LB11	20-WAY MULTILOCK 40 (BLUE)	REAR FACE OF LEFT BLOWER, UNDER FASCIA / BULKHEAD TO LF HARNESS
LB65	2-WAY MULTILOCK 40 (BLACK)	BEHIND INSPECTION PANEL IN GLOVE BOX / BULKHEAD HARNESS
LB66	20-WAY AMP PCB POWER (BLACK)	MOUNTING BRACKET UNDER GLOVE BOX / BULKHEAD HARNESS
LB85	20-WAY MULTILOCK 70 (WHITE)	RIGHT DASH UNDER PANEL BY 'A' POST / BULKHEAD HARNESS
LB86	4-WAY ECONOSEAL III HC (BLACK)	RIGHT DASH UNDER PANEL / BULKHEAD HARNESS
LB88	20-WAY MULTILOCK 40 (BLACK)	REAR FACE OF RIGHT BLOWER, UNDER FASCIA / BULKHEAD TO RF HARNESS
LS6	13-WAY ECONOSEAL III LC (BLACK)	RIGHT BULKHEAD ADJACENT TO ABS PUMP / RIGHT SIDE HARNESS
RS15	2-WAY ECONOSEAL III HC (BLACK)	RIGHT OF FUEL TANK, ABOVE BATTERY / FUEL PUMP RFI MODULE
RS18	RELAY BASE (BLACK)	ABOVE RR BULB FAIL MODULE / FUEL PUMP RELAY

GROUND

CODE	DESCRIPTION	LOCATION / INTERFACE
FE68	WHITE EYELET	ENGINE COMPARTMENT AT #3 INTAKE RUNNER / GROUND
FE611	WHITE EYELET	ENGINE COMPARTMENT AT #1 INTAKE RUNNER / GROUND
FE635	WHITE EYELET	ENGINE COMPARTMENT BULKHEAD BEHIND CYLINDER HEAD / GROUND
FE636	WHITE EYELET	ENGINE COMPARTMENT BULKHEAD BEHIND CYLINDER HEAD / GROUND
RSG62A	WHITE EYELET	TRUNK, RIGHT, BELOW BULB FAIL MODULE / GROUND

INPUTS / OUTPUTS

ENGINE CONTROL MODULE					
CODE	IN / OUT	CIRCUIT	ACTIVE	INACTIVE	
FE40-1	OUTPUT	IGNITION AMPLIFIER DRIVE (SPEED SIGNAL)	PULSED DRIVE: 0.5V CRANKING; APPROX 0.6V AT 800 RPM; 1.3V AT 2000 RPM		
FE40-2	OUTPUT	AIR INJECTION PUMP RELAY	GROUND	12V	
FE40-3	OUTPUT	AIR MASS METER / SENSOR GROUNDS	GROUND	GROUND	
FE40-4	NOT USED				
FE40-5	OUTPUT	PURGE VALVE CONTROL — CHARCOAL CANISTER	GROUND	12V	
FE40-6	NOT USED				
FE40-7	OUTPUT	OXYGEN SENSOR HEATER RELAY	GROUND	12V	
FE40-8	INPUT	EGR TEMPERATURE SENSOR	2000 RPM, EGR VALVE CLOSED: 4.9V	2000 RPM, VALVE OPEN: VOLTAGE DROPS	
FE40-9	OUTPUT	ENGINE LOAD PULSE TO TRANSMISSION CONTROL MODULE	PULSED SIGNAL	0V	
FE40-10	INPUT	IGNITION / EMS MAIN RELAY	KEY ON: 12V	KEY OFF: OPEN CIRCUIT	
FE40-11	INPUT	POWER GROUND	GROUND	GROUND	
FE40-12	OUTPUT	INJECTOR SUPPLY	BATTERY VOLTAGE	KEY OFF: OPEN CIRCUIT	
FE40-13	OUTPUT	INJECTOR DRIVE	PULSED SIGNAL (2.6 MS IDLE)	KEY OFF: OPEN CIRCUIT	
FE40-14	INPUT	BATTERY POWER	12V	12V	
FE40-15	OUTPUT	IDLE SPEED ACTUATOR	STEPPER MOVING: 12V	NOT MOVING: GROUND	
FE40-16	OUTPUT	IDLE SPEED ACTUATOR	STEPPER MOVING: 12V	NOT MOVING: GROUND	
FE40-17	OUTPUT	INJECTOR SUPPLY	BATTERY VOLTAGE	KEY OFF: OPEN CIRCUIT	
FE40-18	OUTPUT	IDLE SPEED ACTUATOR	STEPPER MOVING: 12V	NOT MOVING: GROUND	
FE40-19	OUTPUT	IDLE SPEED ACTUATOR	STEPPER MOVING: 12V	NOT MOVING: GROUND	
FE40-20	OUTPUT	EGR SOLENOID VACUUM VALVE	GROUND	12V	

CONTINUED AT LEFT ON FOLDOUT

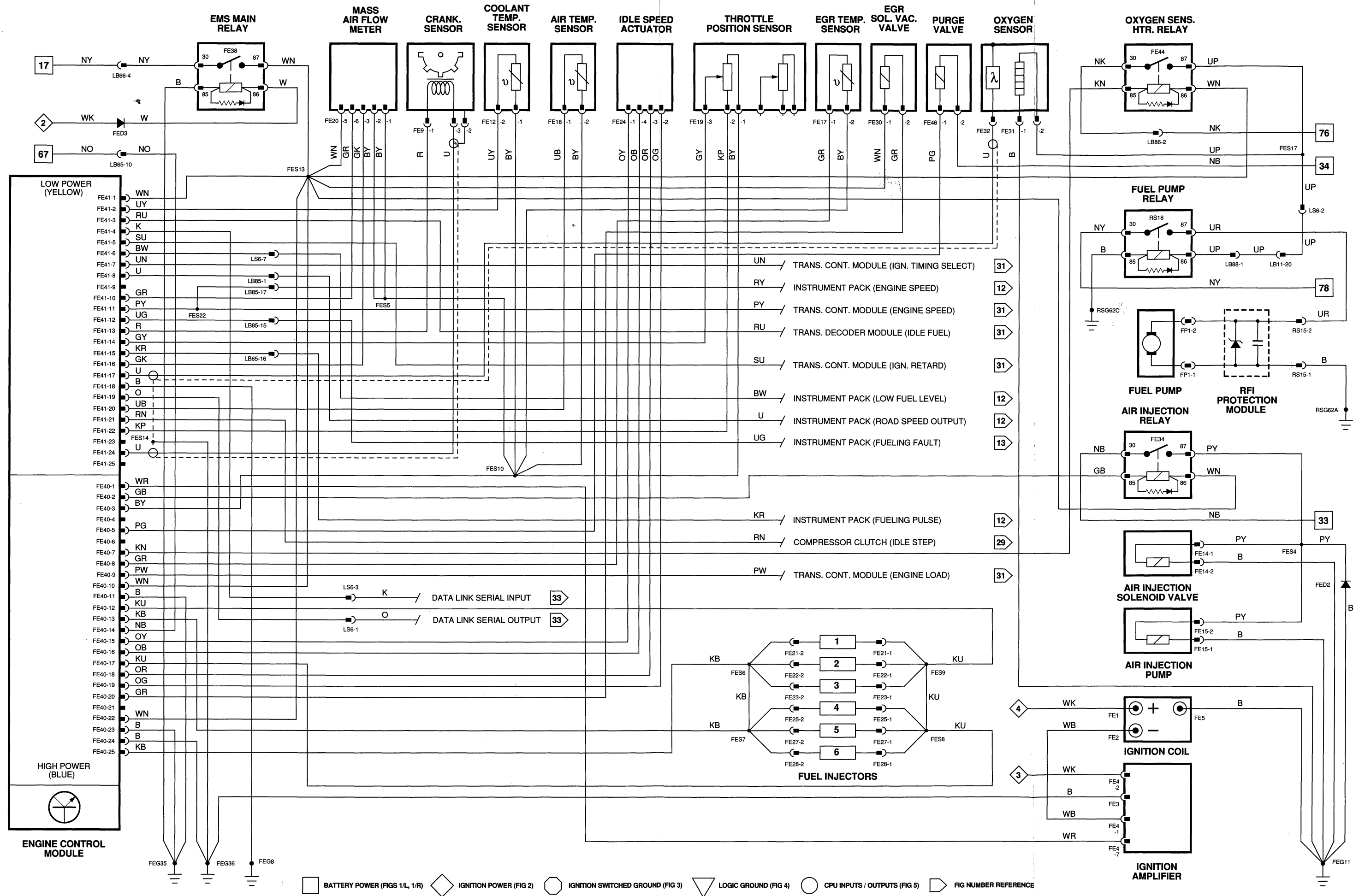


FIG 31 DATA

COMPONENTS

DESCRIPTION

DECODER MODULE
GEAR POSITION INDICATOR MODULE
KICKDOWN SWITCH
MODE SWITCH
RELAY — TRANSMISSION (FE50)
ROTARY SWITCH
THROTTLE POSITION SENSOR
TRANSMISSION CONTROL MODULE

LOCATION

RIGHT OF 'J' GATE
'J' GATE
BEHIND ACCELERATOR PEDAL
CENTER CONSOLE, BEHIND 'J' GATE
RIGHT BULKHEAD RELAY PANEL
TRANSMISSION, LEFT SIDE
BELOW THROTTLE BODY
RIGHT DASH UNDER PANEL

ACCESS

CENTER CONSOLE WOOD TRIM
CENTER CONSOLE TRIM
—
CENTER CONSOLE
ENGINE COMPARTMENT
—
ENGINE COMPARTMENT
RIGHT DASH UNDER PANEL

CONNECTORS

CODE DESCRIPTION

FE19 6-WAY SUMITOMO ATTACH. (BLACK)
FE42 12-WAY MULTILOCK 70 (WHITE)
GB1 4-WAY MULTILOCK 70 (WHITE)
GB2 12-WAY MULTILOCK 40 (BLACK)
GB5 55-WAY AMP (BLACK)
GB6 26-WAY AMP (BLUE)
GB7 12-WAY MULTILOCK 40 (BLACK)
GB8 8-WAY ZF (BLACK)
LB46 13-WAY AMP MK4 (BLACK)
LB55 20-WAY MULTILOCK 40 (BLACK)
LB79A 12-WAY MULTILOCK 40 (BLACK)
LB79B 16-WAY MULTILOCK 40 (BLACK)
LB80A 12-WAY MULTILOCK 40 (GREEN)
LB80B 16-WAY MULTILOCK 40 (GREEN)
LB81A 12-WAY MULTILOCK 40 (BLUE)
LB81B 16-WAY MULTILOCK 40 (BLUE)
LB85 20-WAY MULTILOCK 70 (WHITE)
LB94 6-WAY MULTILOCK 40 (BLACK)
LB100 PM 5 (PURPLE)

LOCATION / INTERFACE

BELOW CRUISE CONTROL BELLOWS / THROTTLE POSITION SENSOR
RIGHT DASH UNDER PANEL BY CENTER CONSOLE / TRANSMISSION CONTROL MODULE TO ECM
LEFT OF CENTER FUSE PANEL, BELOW ASHTRAY / TRANSMISSION HARNESS
BENEATH CENTER CONSOLE, RIGHT OF 'J' GATE / GEAR POSITION INDICATOR MODULE
RIGHT DASH UNDER PANEL ON TRANS. CONTROL MODULE / TRANSMISSION CONTROL MODULE
BENEATH CENTER CONSOLE, RIGHT OF 'J' GATE / DECODER MODULE
LEFT OF CENTER FUSE PANEL, BELOW ASHTRAY / TRANSMISSION HARNESS
LEFT OF GEARBOX ON CASE / GEARBOX SOLENOIDS AND SPEED SENSOR
CENTER CONSOLE, BELOW FUSE PANEL / CENTER FUSE PANEL
CENTER CONSOLE, FRONT OF GEARSHIFT / BULKHEAD HARNESS
RIGHT BLOWER MOTOR, ABOVE VACUUM VALVE / RIGHT SPLICE BOX
RIGHT BLOWER MOTOR, ABOVE VACUUM VALVE / RIGHT SPLICE BOX
RIGHT BLOWER MOTOR, ABOVE VACUUM VALVE / RIGHT SPLICE BOX
RIGHT BLOWER MOTOR, ABOVE VACUUM VALVE / RIGHT SPLICE BOX
RIGHT BLOWER MOTOR, ABOVE VACUUM VALVE / RIGHT SPLICE BOX
RIGHT BLOWER MOTOR, ABOVE VACUUM VALVE / RIGHT SPLICE BOX
RIGHT DASH UNDER PANEL BY 'A' POST / BULKHEAD HARNESS
CENTER CONSOLE, REAR OF GEARSHIFT / GEAR BOX MODE SWITCH
DRIVER'S FOOTWELL, BENEATH CARPET / KICKDOWN SWITCH

GROUND

CODE DESCRIPTION

FEG35 WHITE EYELET
FEG36 WHITE EYELET
GBG4 WHITE EYELET
LBG39A WHITE EYELET

LOCATION / INTERFACE

ENGINE COMPARTMENT BULKHEAD BEHIND CYLINDER HEAD / GROUND
ENGINE COMPARTMENT BULKHEAD BEHIND CYLINDER HEAD / GROUND
CENTER CONSOLE GROUND STUD, BEHIND 'J' GATE / GROUND
CENTER CONSOLE GROUND STUD BEHIND 'J' GATE / GROUND

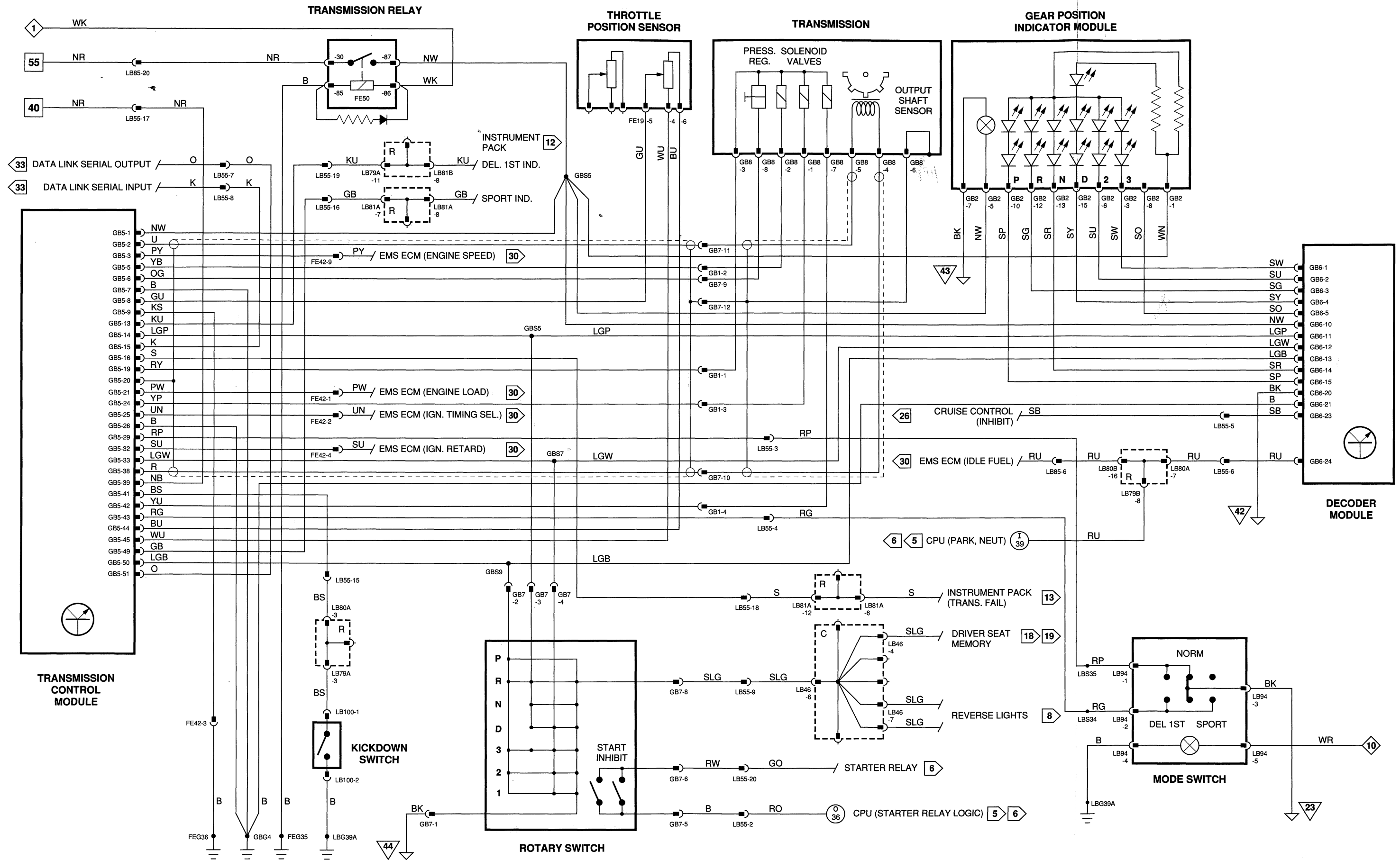
INPUTS / OUTPUTS

TRANSMISSION CONTROL MODULE

CODE	IN / OUT	CIRCUIT	ACTIVE	INACTIVE
GB5-1	INPUT	TRANSMISSION RELAY	KEY ON: 12V	KEY OFF: OPEN CIRCUIT
GB5-2	INPUT	OUTPUT SHAFT SPEED SENSOR	0 MPH: 12 mV AC; 10 MPH: 2.3V AC; 30 MPH: 6.5V AC	OV
GB5-3	INPUT	ENGINE SPEED SIGNAL	PULSED VOLTAGE	P, R, N, 1, 4: 12V
GB5-5	OUTPUT	SOLENOID VALVE #1 (mV 1)	2, 3: GROUND	12V
GB5-6	OUTPUT	PRESSURE REGULATOR SOLENOID	GROUND	GROUND
GB5-7	INPUT	POWER GROUND	MINIMUM: 0.58 – 0.62V IDLE	MAXIMUM: 4.9V W.O.T.
GB5-8	INPUT	THROTTLE POSITION SENSOR WIPER	GROUND	GROUND
GB5-9	INPUT	POWER GROUND	DELETE FIRST: GROUND	SPORT, NORMAL: 12V
GB5-13	OUTPUT	INSTRUMENT PACK — FIRST GEAR DELETE	R: GROUND	P, N, D, 3, 2: OPEN CIRCUIT
GB5-14	INPUT	GEAR POSITION SELECTOR	JDS	—
GB5-15	INPUT	SERIAL COMMUNICATIONS DATA LINK	LIGHT ON: 12V	LIGHT OFF: OPEN CIRCUIT
GB5-16	OUTPUT	INSTRUMENT PACK — TRANSMISSION FAILURE	12V	OPEN CIRCUIT
GB5-19	OUTPUT	TRANSMISSION SOLENOIDS	GROUND	GROUND
GB5-20	OUTPUT	SHIELD — OUTPUT SHAFT SENSOR	BATTERY VOLTAGE	DECREASES WITH ENGINE LOAD
GB5-21	INPUT	ENGINE CONTROL MODULE — ENGINE LOAD	P, N, D, 1, 2: GROUND	3, 4: 12V
GB5-24	OUTPUT	SOLENOID VALVE #2 (MV 2)	ENGINE RUNNING: 12V	KEY OFF: OPEN CIRCUIT
GB5-25	INPUT	ENGINE CONTROL MODULE — IGNITION TIMING SELECT	GROUND	GROUND
GB5-26	INPUT	POWER GROUND	SPORT, NORMAL: GROUND	DELETE FIRST: 12V
GB5-29	INPUT	TRANSMISSION MODE SWITCH — NORMAL	ENGINE RUNNING: 12V	KEY OFF: OPEN CIRCUIT
GB5-32	OUTPUT	ENGINE CONTROL MODULE — IGNITION RETARD	D RANGE: GROUND	P, R, N, 3, 2: OPEN CIRCUIT
GB5-33	INPUT	GEAR POSITION SELECTOR	GROUND	GROUND
GB5-38	INPUT	OUTPUT SHAFT SPEED SENSOR GROUND	12V	12V
GB5-39	INPUT	BATTERY POWER	KICKDOWN: GROUND	12V
GB5-41	INPUT	FULL THROTTLE KICKDOWN SWITCH	LOCK UP: GROUND	12V
GB5-42	OUTPUT	LOCK-UP SOLENOID VALVE #3 (MV 3)	DELETE FIRST: GROUND	SPORT, NORMAL: 12V
GB5-43	INPUT	TRANSMISSION MODE SWITCH — DELETE FIRST GEAR	GROUND	OPEN CIRCUIT
GB5-44	INPUT	THROTTLE POSITION SENSOR GROUND	5V	OV
GB5-45	OUTPUT	THROTTLE POSITION SENSOR POWER	SPORT: 12V	NORMAL, DELETE FIRST: 12V
GB5-49	OUTPUT	SPORT INDICATOR — INSTRUMENT PACK	P, R, 3, 2: GROUND	D, N: 12V
GB5-50	INPUT	GEAR POSITION SELECT 'P'	JDS	—
GB5-51	OUTPUT	SERIAL COMMUNICATIONS DATA LINK		

DECODER MODULE

CODE	IN / OUT	CIRCUIT	ACTIVE	INACTIVE
GB6-1	OUTPUT	GEAR POSITION '3'	GROUND	OPEN CIRCUIT
GB6-2	OUTPUT	GEAR POSITION '2'	GROUND	OPEN CIRCUIT
GB6-3	OUTPUT	GEAR POSITION 'R'	GROUND	OPEN CIRCUIT
GB6-4	OUTPUT	GEAR POSITION 'D'	GROUND	OPEN CIRCUIT
GB6-5	NOT USED			
GB6-10	INPUT	IGNITION SWITCHED POWER	KEY ON: 12V	KEY OFF: OPEN CIRCUIT
GB6-11	INPUT	GEAR SELECTOR POSITION 'R'	R: GROUND	P, N, D, 3, 2: OPEN CIRCUIT
GB6-12	INPUT	GEAR SELECTOR POSITION 'D'	D: GROUND	P, R, N, 3, 2: OPEN CIRCUIT
GB6-13	INPUT	GEAR SELECTOR POSITION 'P'	P: GROUND	P, R, N, 3, 2: OPEN CIRCUIT
GB6-14	OUTPUT	GEAR SELECTOR 'NEUTRAL' ILLUMINATION	N: GROUND	P, R, D, 3, 2: OPEN CIRCUIT
GB6-15	INPUT	GEAR SELECTOR 'PARK' ILLUMINATION	P: GROUND	R, N, D, 3, 2: OPEN CIRCUIT
GB6-20	INPUT	LOGIC GROUND	GROUND	GROUND
GB6-21	INPUT	POWER GROUND	GROUND	GROUND
GB6-23	OUTPUT	CRUISE CONTROL INHIBIT	D, 3, 2: GROUND	P, R, N: OPEN CIRCUIT
GB6-24	OUTPUT	ENGINE LOAD TO ECM	P, N: GROUND	R, D, 3, 2: 5V



BATTERY POWER (FIGS 1/L, 1/R)
 IGNITION POWER (FIG 2)
 IGNITION SWITCHED GROUND (FIG 3)
 LOGIC GROUND (FIG 4)
 CPU INPUTS / OUTPUTS (FIG 5)
 FIG NUMBER REFERENCE

FIG 32 DATA

INPUTS / OUTPUTS (CONTINUED)

INTRUSION ECU			ACTIVE	INACTIVE
CODE	IN / OUT	CIRCUIT		
LB17-1	INPUT	INTRUSION SENSOR	PULSE TO GROUND	OPEN CIRCUIT
LB17-2	OUTPUT	SHIELD — LEFT INTRUSION SENSOR	GROUND	GROUND
LB17-3	INPUT	LEFT INTRUSION SENSOR	PULSED SIGNAL	OPEN CIRCUIT
LB17-4	INPUT	LEFT INTRUSION SENSOR	PULSED SIGNAL	OPEN CIRCUIT
LB17-7	OUTPUT	LEFT INTRUSION SENSOR	ARMED: 5V	UNARMED: 5V
LB17-8	INPUT	INCLINATION SENSOR	GROUND	PULSE TO 12V WHEN UNLOCKED
LB17-10	OUTPUT	INTRUSION ECU	ARMED: GROUND	PULSE TO 12V WHEN UNLOCKED
LB17-11	INPUT	RIGHT INTRUSION SENSOR	PULSE TO GROUND	OPEN CIRCUIT
LB17-12	OUTPUT	SHIELD — RIGHT INTRUSION SENSOR	PULSE TO GROUND	GROUND
LB17-13	INPUT	RIGHT INTRUSION SENSOR	PULSE TO GROUND	OPEN CIRCUIT
LB17-14	INPUT	RIGHT INTRUSION SENSOR	PULSE TO GROUND	OPEN CIRCUIT
LB17-18	INPUT	INCLINATION SENSOR	GROUND	PULSES TO 12V WHEN UNLOCKED
LB17-20	INPUT	POWER GROUND	GROUND	GROUND

COMPONENTS

DESCRIPTION	LOCATION	ACCESS
DOOR LOCK SWITCH — DRIVER	DRIVER'S DOOR	DRIVER'S DOOR CASING
DOOR LOCK SWITCH — PASSENGER	PASSENGER'S DOOR	PASSENGER'S DOOR CASING
DOOR SWITCH — DRIVER	DRIVER'S DOOR LATCH	DRIVER'S DOOR CASING
DOOR SWITCH — PASSENGER	PASSENGER'S DOOR LATCH	PASSENGER'S DOOR CASING
HOOD SWITCH	ABOVE LEFT HEADLIGHT	ENGINE COMPARTMENT
INCLINATION SENSOR	LEFT REAR WHEEL ARCH	LEFT TRUNK TRIM
INTRUSION ECU	FLOOR, FRONT OF DRIVER'S SEAT	FLOOR PANEL CARPET
INTRUSION SENSOR — LEFT	LEFT 'BC' POST	HEADLINER
INTRUSION SENSOR — RIGHT	RIGHT 'BC' POST	HEADLINER
SECURITY ANTENNA	REAR WINDOW GLASS	—
SECURITY LED	CENTER OF FASCIA	—
SECURITY SOUNDER	LEFT FRONT INNER FENDER	ENGINE COMPARTMENT
SECURITY SWITCH	CENTER CONSOLE GLOVE BOX	—
SECURITY SYSTEM ECU	LEFT REAR WHEEL ARCH	LEFT TRUNK TRIM
SHOCK SENSOR	LEFT REAR WHEEL ARCH	LEFT TRUNK TRIM
TRUNK SWITCH	RIGHT TRUNK HINGE	ABOVE FUEL TANK TRIM

CONNECTORS

CODE	DESCRIPTION	LOCATION / INTERFACE
CL3	4-WAY MULTILOCK 40 (BLACK)	CENTER CONSOLE, REAR, BEHIND END PANEL / SECURITY VALET SWITCH
DD3	6-WAY ECONOSEAL III LC (BLACK)	DRIVER'S DOOR, BEHIND PUDDLE LIGHT / DRIVER'S DOOR LOCK MOTOR
DD4	4-WAY ECONOSEAL III LC (BLACK)	DRIVER'S DOOR, BOTTOM REAR / DRIVER'S DOOR SWITCH
FL3	6-WAY AMP MODU (BLACK)	MOUNTED TOP/CENTER OF FASCIA / SECURITY LED
LB11	20-WAY MULTILOCK 40 (BLUE)	REAR FACE OF LEFT BLOWER, UNDER FASCIA / BULKHEAD TO LF HARNESS
LB12	20-WAY MULTILOCK 40 (BLACK)	LEFT 'A' POST BOX SECTION / BULKHEAD HARNESS
LB14	20-WAY MULTILOCK 40 (GREEN)	LEFT 'A' POST BOX SECTION / BULKHEAD HARNESS
LB17	20-WAY MULTILOCK 40 (BLACK)	DRIVER SEAT AND MIRRORS ECU BRACKET / INTRUSION ECU
LB45	6-WAY MULTILOCK 70 (WHITE)	CENTER CONSOLE, BELOW ASHTRAY / SECURITY SYSTEM VALET SWITCH
LB46	13-WAY AMP MK4 (BLACK)	CENTER CONSOLE, BELOW FUSE PANEL / CENTER FUSE PANEL
LB48	13-WAY AMP MK4 (BROWN)	CENTER CONSOLE, BELOW FUSE PANEL / CENTER FUSE PANEL
LB50	20-WAY MULTILOCK 40 (BLACK)	BENEATH LEFT REAR SEAT BOX SECTION / REAR HARNESS
LB51	12-WAY MULTILOCK 70 (WHITE)	BENEATH LEFT REAR SEAT BOX SECTION / REAR HARNESS
LB52	12-WAY MULTILOCK 70 (BLACK)	BENEATH RIGHT REAR SEAT BOX SECTION / REAR HARNESS
LB79B	16-WAY MULTILOCK 40 (BLACK)	RIGHT BLOWER MOTOR, ABOVE VACUUM VALVE / RIGHT SPLICE BOX
LB80A	12-WAY MULTILOCK 40 (GREEN)	RIGHT BLOWER MOTOR, ABOVE VACUUM VALVE / RIGHT SPLICE BOX
LB80B	16-WAY MULTILOCK 40 (GREEN)	RIGHT BLOWER MOTOR, ABOVE VACUUM VALVE / RIGHT SPLICE BOX
LB81A	12-WAY MULTILOCK 40 (BLUE)	RIGHT BLOWER MOTOR, ABOVE VACUUM VALVE / RIGHT SPLICE BOX
LB82	20-WAY MULTILOCK 40 (BLACK)	RIGHT 'A' POST BOX SECTION / BULKHEAD HARNESS
LB96	4-WAY AMP LEAF (BLACK)	DRIVER'S 'BC' POST BEHIND HEADLINER / LEFT INTRUSION SENSOR
LB97	4-WAY AMP LEAF (BLACK)	PASSENGER'S 'BC' POST BEHIND HEADLINER / RIGHT INTRUSION SENSOR
LB98	12-WAY MULTILOCK 40 (BLUE)	ADJACENT TO A/C ECU, RIGHT / BULKHEAD HARNESS
LS10	PM 5 (BLACK)	ADJACENT TO LF BULB FAIL MODULE / HOOD OPEN SWITCH
LS16	PM 5 (GREEN)	UNDER AIR CLEANER BY LF BULB FAIL MODULE / SECURITY SIREN
LS18	.250 BLADE (BLACK)	BEHIND LR 'E' POST READING LIGHT / SECURITY ANTENNA
LS43	20-WAY MULTILOCK 40 (BLACK)	LR WHEEL ARCH, BELOW FUEL FILLER FLAP / SECURITY ECU
LS44	12-WAY MULTILOCK 40 (BLACK)	LR WHEEL ARCH, BELOW FUEL FILLER FLAP / SECURITY ECU
LS45	16-WAY MULTILOCK 40 (BLACK)	TRUNK, LEFT, BEHIND ABS ECU / SECURITY ECU
LS48	6-WAY AMP CS 25 (ORANGE)	TRUNK, LEFT, ON ABS ECU MOUNTING BRACKET / INCLINATION SENSOR
LS62	3-WAY MULTILOCK 70 (WHITE)	TRUNK, LEFT, BY ABS ECU MOUNTING BRACKET / SHOCK SENSOR
PD3	6-WAY ECONOSEAL III LC (BLACK)	PASSENGER'S DOOR, BEHIND PUDDLE LIGHT / PASSENGER'S DOOR LOCK MOTOR
PD4	4-WAY ECONOSEAL III LC (BLACK)	PASSENGER'S DOOR, BOTTOM REAR / PASSENGER'S DOOR SWITCH
RS52	GROTE AND HARTMAN (BLACK)	BEHIND TRUNK LID TRIM PANEL / TRUNK MICRO SWITCH

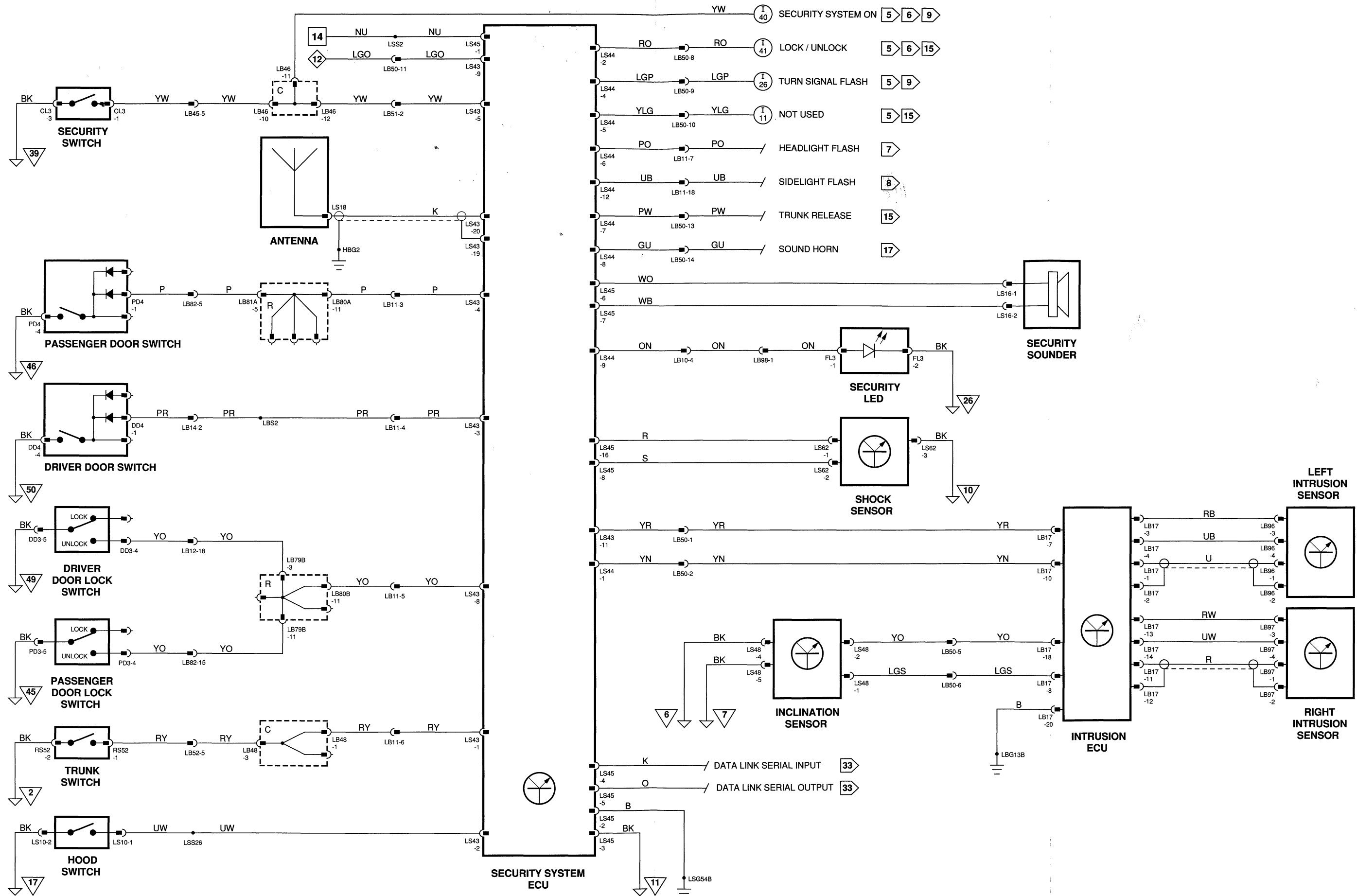
GROUNDS

CODE	DESCRIPTION	LOCATION / INTERFACE
HBG2	WHITE EYELET	LEFT 'E' POST TRIM BEHIND READING LIGHT / GROUND
LBG13B	WHITE EYELET	ABOVE LEFT FUSE PANEL ON 'A' POST / GROUND
LSG54B	WHITE EYELET	TRUNK, LEFT, BELOW BULB FAIL MODULE / GROUND

INPUTS / OUTPUTS

SECURITY SYSTEM ECU			ACTIVE	INACTIVE
CODE	IN / OUT	CIRCUIT		
LS43-1	INPUT	TRUNK SWITCH	TRUNK OPEN: GROUND	TRUNK CLOSED: 5V
LS43-2	INPUT	HOOD SWITCH	HOOD OPEN: GROUND	HOOD CLOSED: 5V
LS43-3	INPUT	DRIVER'S DOOR SWITCH	DRIVER'S DOOR OPEN: GROUND	DOOR CLOSED: 5V
LS43-4	INPUT	PASSENGER'S DOOR SWITCH	PASSENGER'S DOOR OPEN: GROUND	DOOR CLOSED: 5V
LS43-5	INPUT	VALET SWITCH	SWITCH OFF: GROUND	SWITCH ON: 5V
LS43-8	INPUT	DRIVER'S / PASSENGER'S DOOR LOCK SWITCH	UNLOCKED: GROUND	LOCKED: 5V
LS43-9	INPUT	IGNITION SWITCHED POWER	KEY ON: 12V	KEY OFF: OPEN CIRCUIT
LS43-11	OUTPUT	INTRUSION SENSOR	SYSTEM UNARMED: 5V	SYSTEM ARMED: 5V
LS43-19	OUTPUT	ALARM ANTENNA SHIELD	GROUND	GROUND
LS43-20	INPUT	ALARM ANTENNA	TRANSMITTER SIGNAL	
LS44-1	OUTPUT	INTRUSION SENSOR	LOCK CYCLE: PULSES TO GROUND	UNLOCK CYCLE: PULSES TO 12V
LS44-2	OUTPUT	LOCK / UNLOCK SIGNAL TO CPU	LOCK / UNLOCK CYCLE: PULSE TO GROUND	5V
LS44-4	OUTPUT	TURN SIGNAL FLASH / CPU FLASH	PULSED SIGNAL	5V
LS44-5	NOT USED			
LS44-6	OUTPUT	HEADLIGHT	ON: GROUND	OFF: 12V
LS44-7	OUTPUT	TRUNK RELEASE	RELEASE: GROUND	12V
LS44-8	OUTPUT	SOUND HORN	HORN ON: GROUND	HORN OFF: 12V
LS44-9	OUTPUT	SECURITY L.E.D.	L.E.D. ON: 3.6V	L.E.D. OFF: 0.8V
LS44-12	OUTPUT	SIDELIGHT FLASH	FLASH: PULSE TO GROUND	12V
LS45-1	INPUT	BATTERY POWER	12V	12V
LS45-2	INPUT	POWER GROUND	GROUND	GROUND
LS45-3	INPUT	LOGIC GROUND	GROUND	GROUND
LS45-4	INPUT	SERIAL COMMUNICATIONS DATA LINK	JDS	—
LS45-5	OUTPUT	SERIAL COMMUNICATIONS DATA LINK	JDS	—
LS45-6	OUTPUT	SECURITY SOUNDER	PULSED VOLTAGE	OPEN CIRCUIT
LS45-7	OUTPUT	SECURITY SOUNDER	PULSED VOLTAGE	OPEN CIRCUIT
LS45-8	OUTPUT	SHOCK SENSOR	PULSE TO GROUND	5V
LS45-16	OUTPUT	SHOCK SENSOR	PULSE TO GROUND	5V

CONTINUED AT LEFT ON FOLDOUT



BATTERY POWER (FIGS 1/L, 1/R)
 IGNITION POWER (FIG 2)
 IGNITION SWITCHED GROUND (FIG 3)
 LOGIC GROUND (FIG 4)
 CPU INPUTS / OUTPUTS (FIG 5)
 FIG NUMBER REFERENCE

FIG 33 DATA

COMPONENTS

DESCRIPTION

CENTRAL MICROPROCESSOR
ENGINE CONTROL MODULE
INSTRUMENT PACK
SEAT ECU — DRIVER
SECURITY SYSTEM ECU
TRANSMISSION CONTROL MODULE

LOCATION

BEHIND GLOVE BOX
RIGHT UNDER DASH PANEL
DRIVER'S SIDE FASCIA
FLOOR, FRONT OF DRIVER'S SEAT
LEFT REAR WHEEL ARCH
RIGHT DASH UNDER PANEL

ACCESS

RIGHT DASH UNDER PANEL
RIGHT UNDER DASH PANEL
—
FLOOR TRIM PANEL
LEFT TRUNK TRIM
RIGHT DASH UNDER PANEL

CONNECTORS

CODE	DESCRIPTION	LOCATION / INTERFACE
FE41	25-WAY ECM (YELLOW)	RIGHT DASH UNDER PANEL / ECM LOW POWER BOARD
GB5	55-WAY AMP (BLACK)	RIGHT DASH UNDER PANEL ON TRANS. CONTROL MODULE / TRANSMISSION CONTROL MODULE
LB3	12-WAY AMP PCB POWER (BLACK)	FLOOR PANEL IN FRONT OF DRIVER'S SEAT / DRIVERS SEAT AND MIRRORS ECU
LB21	24-WAY AMP PCB SIGNAL (BLACK)	BEHIND INSTRUMENT PACK AT FASCIA / INSTRUMENT PACK
LB51	12-WAY MULTILOCK 70 (WHITE)	BENEATH LEFT REAR SEAT BOX SECTION / REAR HARNESS
LB55	20-WAY MULTILOCK 40 (BLACK)	CENTER CONSOLE, FRONT OF GEAR SHIFT / BULKHEAD HARNESS
LB59	6-WAY AMP PCB POWER (BLACK)	BEHIND GLOVE BOX ON CPU / CENTRAL MICROPROCESSOR
LS6	13-WAY ECONOSEAL III LC (BLACK)	RIGHT BULKHEAD ADJACENT TO ABS PUMP / RIGHT SIDE HARNESS
LS45	16-WAY MULTILOCK 40 (BLACK)	TRUNK, LEFT, BEHIND ABS ECU / SECURITY ECU
LS78	14-WAY AMP CPC ISO (BLACK)	TRUNK, RIGHT, BELOW BATTERY TRAY / ISO DATA LINK

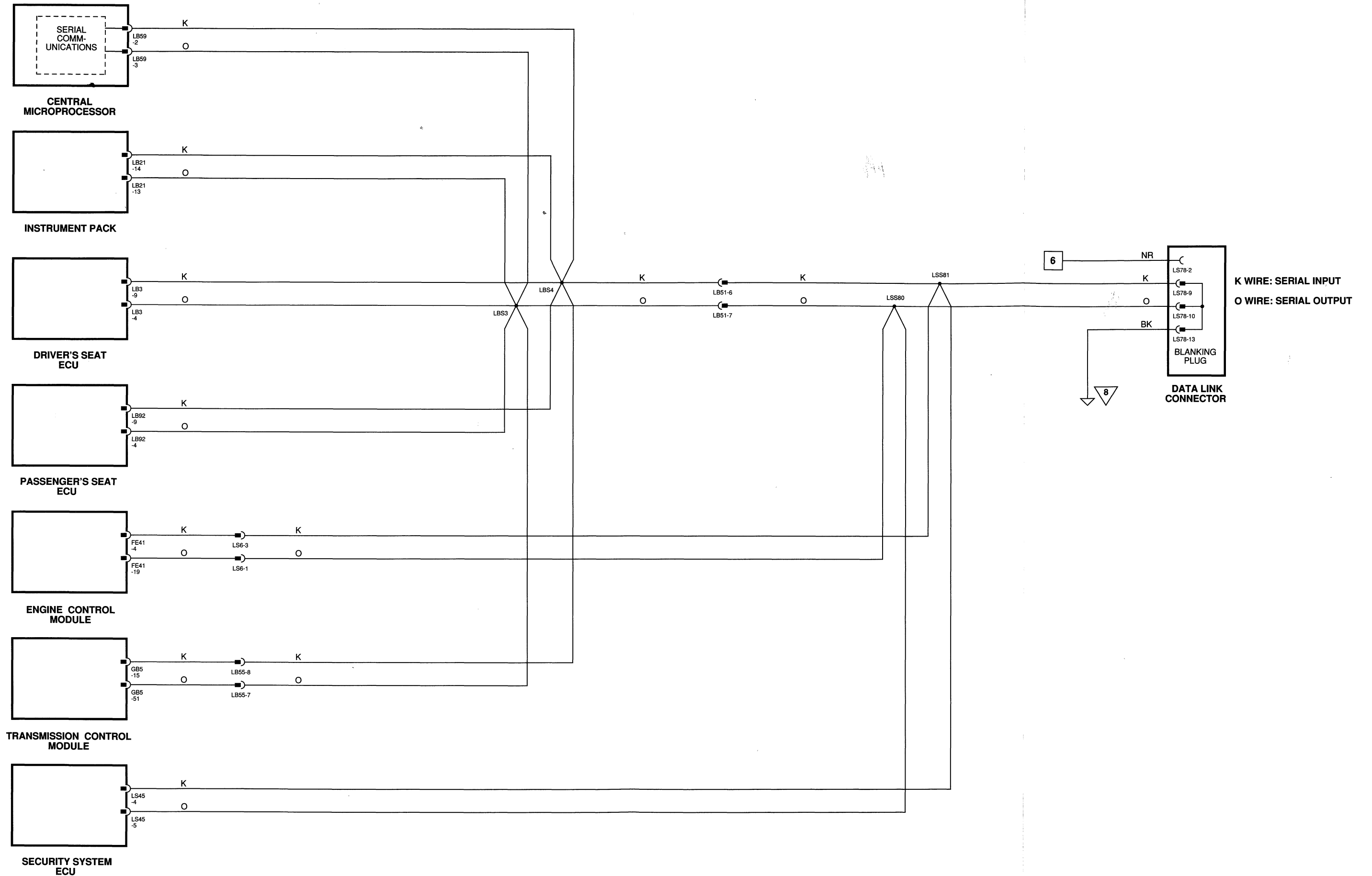


FIG 34 DATA

COMPONENTS

DESCRIPTION	LOCATION	ACCESS
LUMBAR SWITCH — PASSENGER	CENTER CONSOLE, RIGHT SIDE	—
SEAT CONTROL UNIT — PASSENGER	FLOOR, FRONT OF PASSENGER'S SEAT	FLOOR TRIM PANEL
SEAT LUMBAR PUMP — PASSENGER	PASSENGER'S SEAT BACK	—
SEAT SWITCH PACK — PASSENGER	CENTER CONSOLE, RIGHT SIDE	CENTER CONSOLE
SEAT MOTORS — PASSENGER	PASSENGER'S SEAT	BENEATH SEAT CUSHION

CONNECTORS

CODE	DESCRIPTION	LOCATION / INTERFACE
PIL1	6-WAY MULTILOCK 70 (WHITE)	REAR OF PASSENGER'S SEAT BACK / SEAT RECLINE MOTOR AND POTENTIOMETER
PIL2	6-WAY MULTILOCK 70 (YELLOW)	REAR OF PASSENGER'S SEAT BACK / HEADREST MOTOR AND POTENTIOMETER
LB54	20-WAY MULTILOCK 40 (BLUE)	MOUNTED RIGHT OF CENTER CONSOLE CHEEK / PASSENGER SEAT SWITCH PACK
LB79B	16-WAY MULTILOCK 40 (BLACK)	RIGHT BLOWER MOTOR, ABOVE VACUUM VALVE / RIGHT SPLICE BOX
LB80B	16-WAY MULTILOCK 40 (GREEN)	RIGHT BLOWER MOTOR, ABOVE VACUUM VALVE / RIGHT SPLICE BOX
LB81B	16-WAY MULTILOCK 40 (BLUE)	RIGHT BLOWER MOTOR, ABOVE VACUUM VALVE / RIGHT SPLICE BOX
LB91	48-WAY AMP PCB SIGNAL (BLACK)	FLOOR PANEL, FRONT OF PASSENGER'S SEAT / PASSENGER'S SEAT CONTROL UNIT
LB92	12-WAY AMP PCB SIGNAL (BLACK)	FLOOR PANEL, FRONT OF PASSENGER'S SEAT / PASSENGER'S SEAT CONTROL
PSM1	20-WAY AMP PCB POWER (BLACK)	PASSENGER'S SEAT BY SEAT CONTROL UNIT ON FLOOR / PASSENGER'S SEAT CONTROL UNIT
PSM2	6-WAY MULTILOCK 70 (WHITE)	BENEATH PASSENGER'S SEAT CUSHION / SEAT FORE/AFT MOTOR AND POTENTIOMETER
PSM3	6-WAY MULTILOCK 70 (YELLOW)	BENEATH PASSENGER'S SEAT CUSHION / SEAT REAR RAISE/LOWER MOTOR AND POTENTIOMETER
PSM4	6-WAY MULTILOCK 70 (SLATE)	BENEATH PASSENGER'S SEAT CUSHION / SEAT FRONT RAISE/LOWER MOTOR AND POTENTIOMETER
PSM5	18-WAY MULTILOCK 70 (WHITE)	BENEATH PASSENGER'S SEAT CUSHION / PASSENGER'S SEAT HARNESS

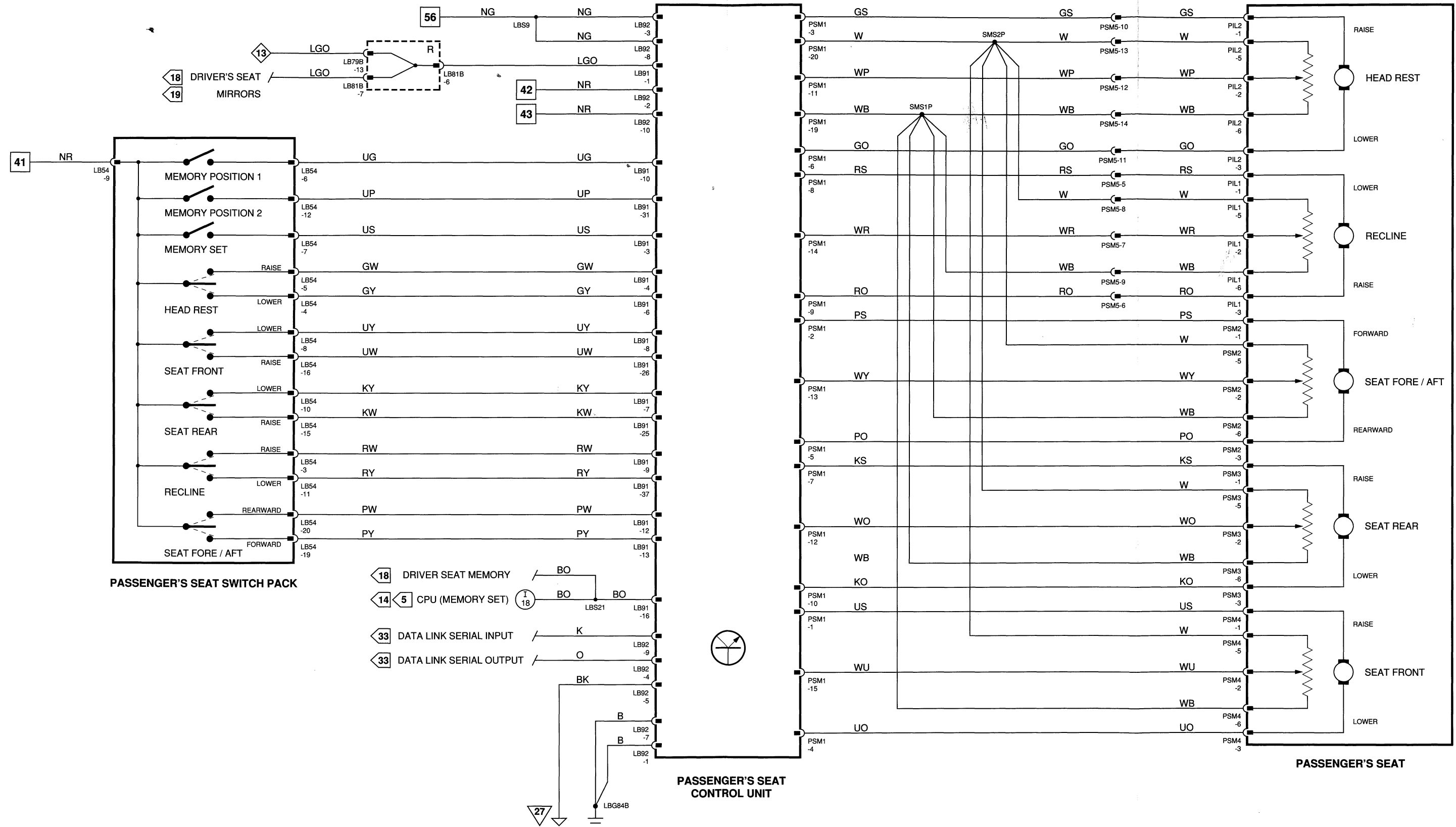
GROUND

CODE	DESCRIPTION	LOCATION / INTERFACE
LBG39B	WHITE EYELET	CENTER CONSOLE GROUND STUD BEHIND 'J' GATE / GROUND
LBG84B	WHITE EYELET	ABOVE RIGHT FUSE PANEL ON 'A' POST / GROUND

INPUTS / OUTPUTS

PASSENGER SEAT CONTROL UNIT

CODE	IN / OUT	CIRCUIT	ACTIVE	INACTIVE
LB91-1	INPUT	IGNITION SWITCHED POWER	KEY ON: 12V	KEY OFF: OPEN CIRCUIT
LB91-4	INPUT	HEADREST — RAISE	RAISE: 12V	OPEN CIRCUIT
LB91-6	INPUT	HEADREST — LOWER	LOWER: 12V	OPEN CIRCUIT
LB91-7	INPUT	SEAT REAR — LOWER	LOWER: 12V	OPEN CIRCUIT
LB91-8	INPUT	SEAT FRONT — LOWER	LOWER: 12V	OPEN CIRCUIT
LB91-9	INPUT	SEAT RECLINE — RAISE	RAISE: 12V	OPEN CIRCUIT
LB91-12	INPUT	SEAT REARWARD	REARWARD: 12V	OPEN CIRCUIT
LB91-13	INPUT	SEAT FORWARD	FORWARD: 12V	OPEN CIRCUIT
LB91-25	INPUT	SEAT REAR — RAISE	RAISE: 12V	OPEN CIRCUIT
LB91-26	INPUT	SEAT FRONT — RAISE	RAISE: 12V	OPEN CIRCUIT
LB91-37	INPUT	SEAT RECLINE — LOWER	LOWER: 12V	OPEN CIRCUIT
LB92-1	INPUT	POWER GROUND	GROUND	GROUND
LB92-2	INPUT	BATTERY POWER	12V	12V
LB92-3	INPUT	BATTERY POWER	12V	12V
LB92-5	INPUT	LOGIC GROUND	GROUND	GROUND
LB92-7	INPUT	POWER GROUND	GROUND	GROUND
LB92-8	INPUT	BATTERY POWER	12V	12V
LB92-10	INPUT	BATTERY POWER	12V	12V
PSM1-1	OUTPUT	SEAT FRONT MOTOR — RAISE	12V	GROUND
PSM1-2	OUTPUT	SEAT MOTOR — FORWARD	12V	GROUND
PSM1-3	OUTPUT	HEADREST — RAISE	12V	GROUND
PSM1-4	OUTPUT	SEAT FRONT MOTOR — LOWER	12V	GROUND
PSM1-5	OUTPUT	SEAT MOTOR — REARWARD	12V	GROUND
PSM1-6	OUTPUT	HEADREST — LOWER	12V	GROUND
PSM1-7	OUTPUT	SEAT REAR MOTOR — RAISE	12V	GROUND
PSM1-8	OUTPUT	RECLINE MOTOR — LOWER	12V	GROUND
PSM1-9	OUTPUT	RECLINE MOTOR — RAISE	12V	GROUND
PSM1-10	OUTPUT	SEAT REAR MOTOR — LOWER	12V	GROUND
PSM1-11	INPUT	HEADREST POTENTIOMETER WIPER	FULLY UP: 2.18V	FULLY DOWN: 0.4V
PSM1-12	INPUT	SEAT REAR POTENTIOMETER WIPER	FULLY UP: 4V	FULLY DOWN: 0.7V
PSM1-13	INPUT	SEAT FORE/AFT POTENTIOMETER WIPER	FULLY FORWARD: 4.0V	FULLY REARWARD: 1.4V
PSM1-14	INPUT	RECLINE POTENTIOMETER WIPER	FULLY BACK: 3.3V	FULLY UP: 0.4V
PSM1-15	INPUT	SEAT FRONT POTENTIOMETER WIPER	FULLY UP: 4.2V	FULLY DOWN: 1.7V
PSM1-19	OUTPUT	POTENTIOMETER GROUND	GROUND	GROUND
PSM1-20	OUTPUT	POTENTIOMETER REFERENCE VOLTAGE	4.5V	OPEN CIRCUIT



41 BATTERY POWER (FIGS 1/L, 1/R)
 56 IGNITION POWER (FIG 2)
 B IGNITION SWITCHED GROUND (FIG 3)
 27 LOGIC GROUND (FIG 4)
 I CPU INPUTS / OUTPUTS (FIG 5)
 18 FIG NUMBER REFERENCE

NOTE: POWER LUMBAR CIRCUIT — FIG 20

FIG 35 DATA

COMPONENTS

DESCRIPTION

RIDE HEIGHT SENSOR
SOLENOID VALVE BLOCK

LOCATION

RIGHT REAR AXLE, ABOVE WISHBONE
ABOVE RF BRAKE DISC AIR DUCT

ACCESS

BENEATH VEHICLE
BENEATH VEHICLE

CONNECTORS

CODE

RS16
RS47
RA3
LB88

DESCRIPTION

4-WAY ECONOSEAL III LC (BLACK)
8-WAY MULTILOCK 70 (WHITE)
RIDE LEVEL CONTROL UNIT (BLACK)
20-WAY MULTILOCK 40 (BLACK)

LOCATION / INTERFACE

ABOVE RF BRAKE DISC AIR DUCT / SOLENOID VALVE BLOCK
BEHIND BATTERY IN TRUNK / RIDE HEIGHT SENSOR HARNESS
RR AXLE, ABOVE WISHBONE / RIDE HEIGHT SENSOR
REAR FACE OF RIGHT BLOWER, UNDER FASCIA / BULKHEAD HARNESS

GROUND

CODE

RSG62B

DESCRIPTION

WHITE EYELET

LOCATION / INTERFACE

TRUNK, RIGHT, BELOW BULB FAIL MODULE / GROUND

INPUTS / OUTPUTS

RIDE HEIGHT SENSOR

CODE

RA3-1
RA3-2
RA3-3
RA3-4
RA3-5
RA3-6

IN / OUT

OUTPUT
INPUT
INPUT
OUTPUT
INPUT
INPUT

CIRCUIT

TEST PIN
DOWN SOLENOID
CHARGE SOLENOID
GROUND
IGNITION SWITCHED POWER
BATTERY POWER

ACTIVE

GROUND
GROUND
GROUND
KEY ON: 12V
12V

INACTIVE

12V
12V
GROUND
KEY OFF: OPEN CIRCUIT
12V

