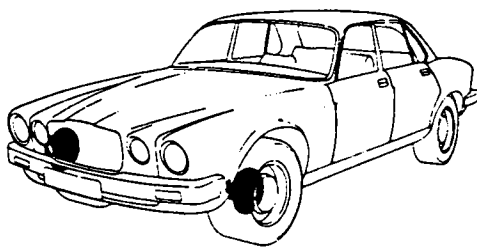
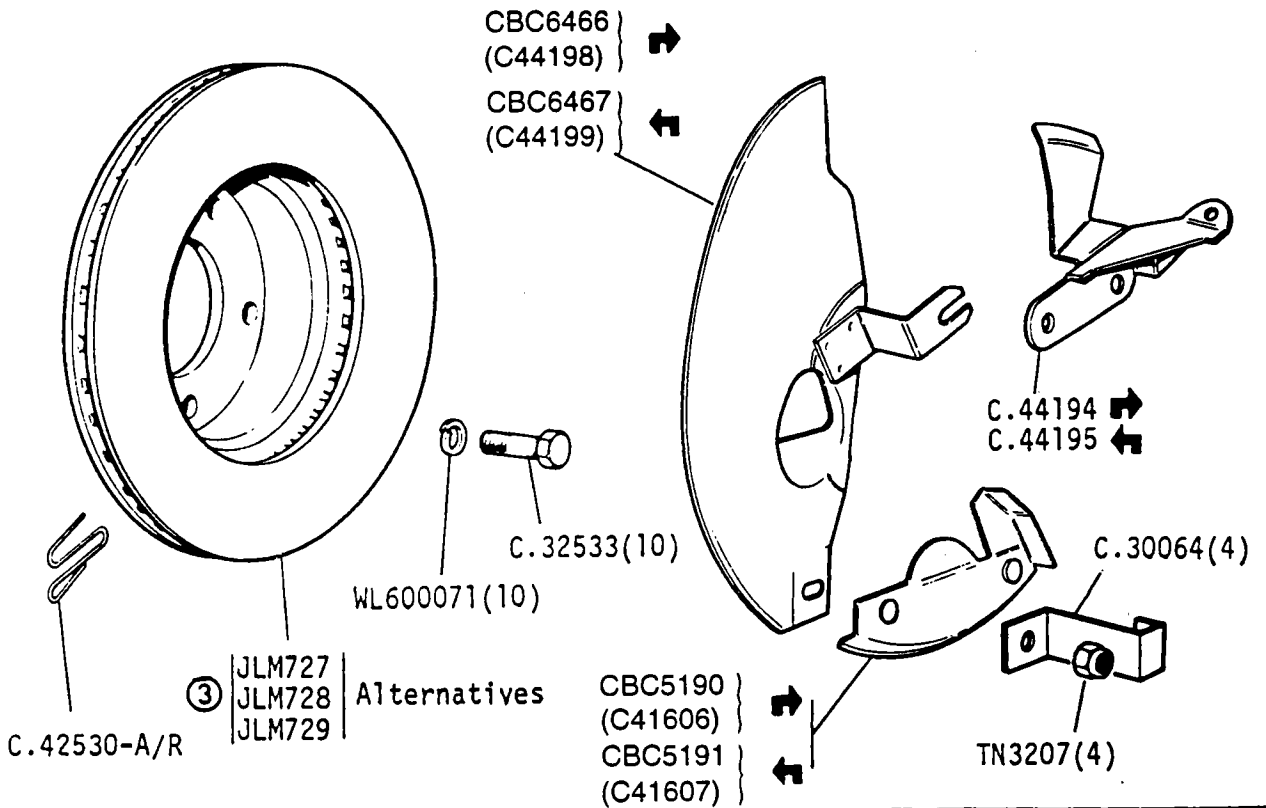
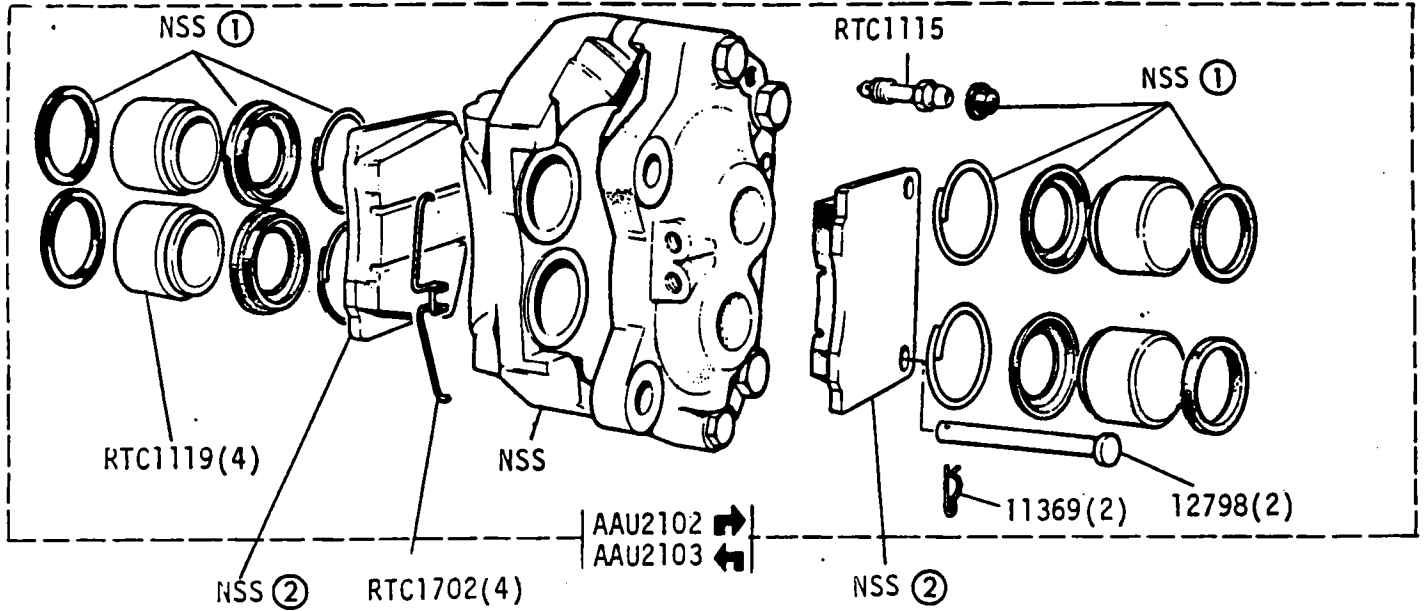


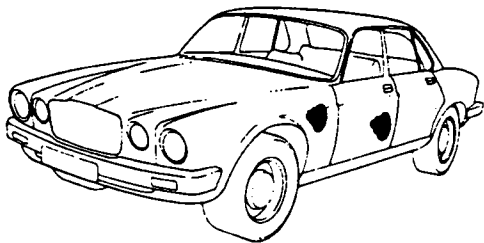
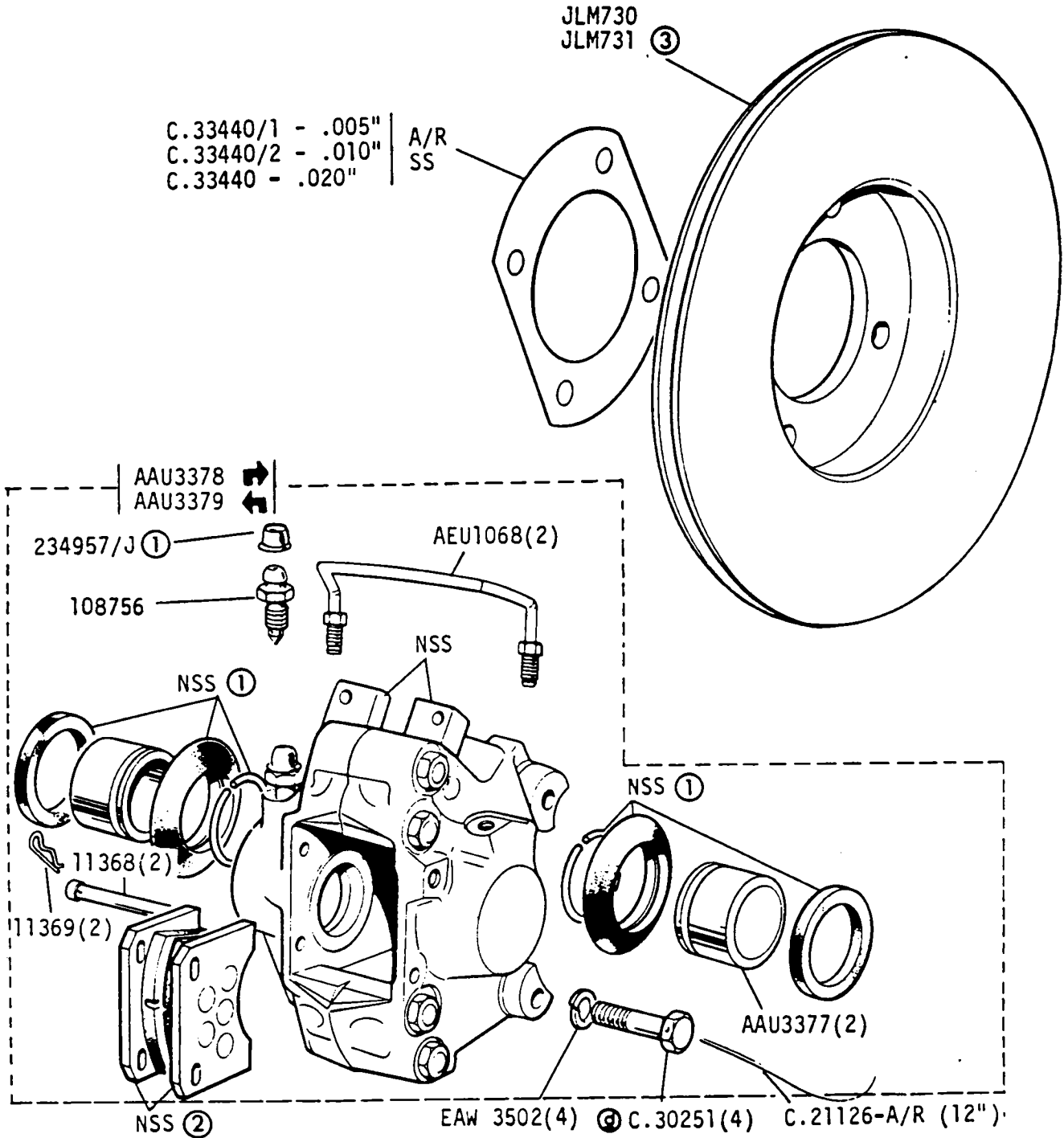
GROUP G
FRONT BRAKES - Calipers and Discs



- ① Part of seals kit RTC1116 SM5439
 - ② Part of pads kit JLM1510
 - ③ Discs to be replaced in pairs
- Alternative Discs must not be mixed on same axle

Jaguar XJ6 3.4, 4.2 and Jaguar Sovereign Series 3
Daimler 4.2 and Jaguar Vanden Plas Series 3

GROUP G
 REAR BRAKES - Caliper and Discs



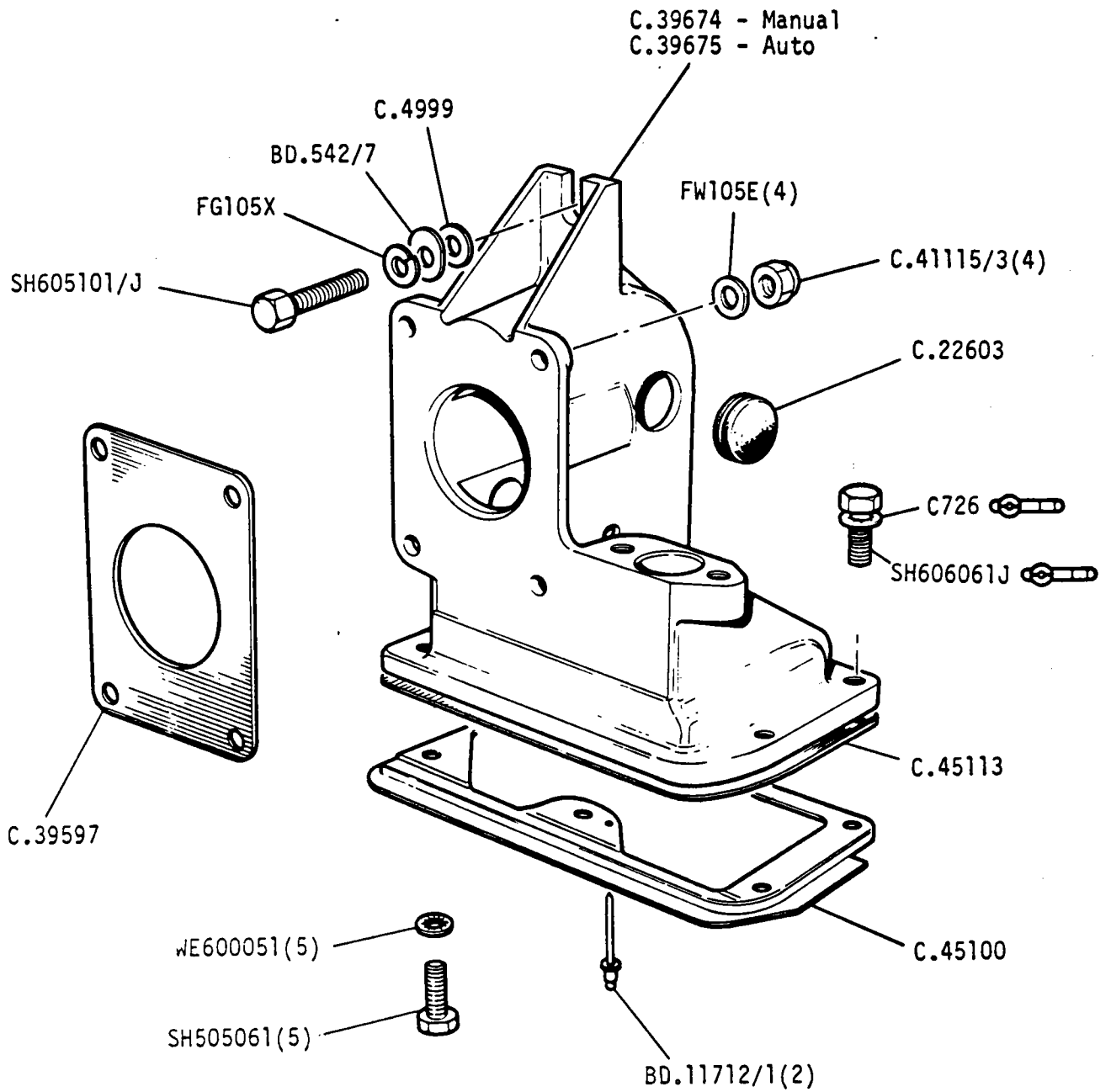
- ① Part of seals kit AAU3380
- ② Part of pad kit JLM1513
- ③ Dana axle only

SM5635

Jaguar XJ6 3.4 and 4.2 and Jaguar Sovereign 4.2 Series 3
 Daimler 4.2 and Jaguar Vanden Plas Series 3

1H 02R

GROUP G
BRAKE CONTROLS - Pedal Housing

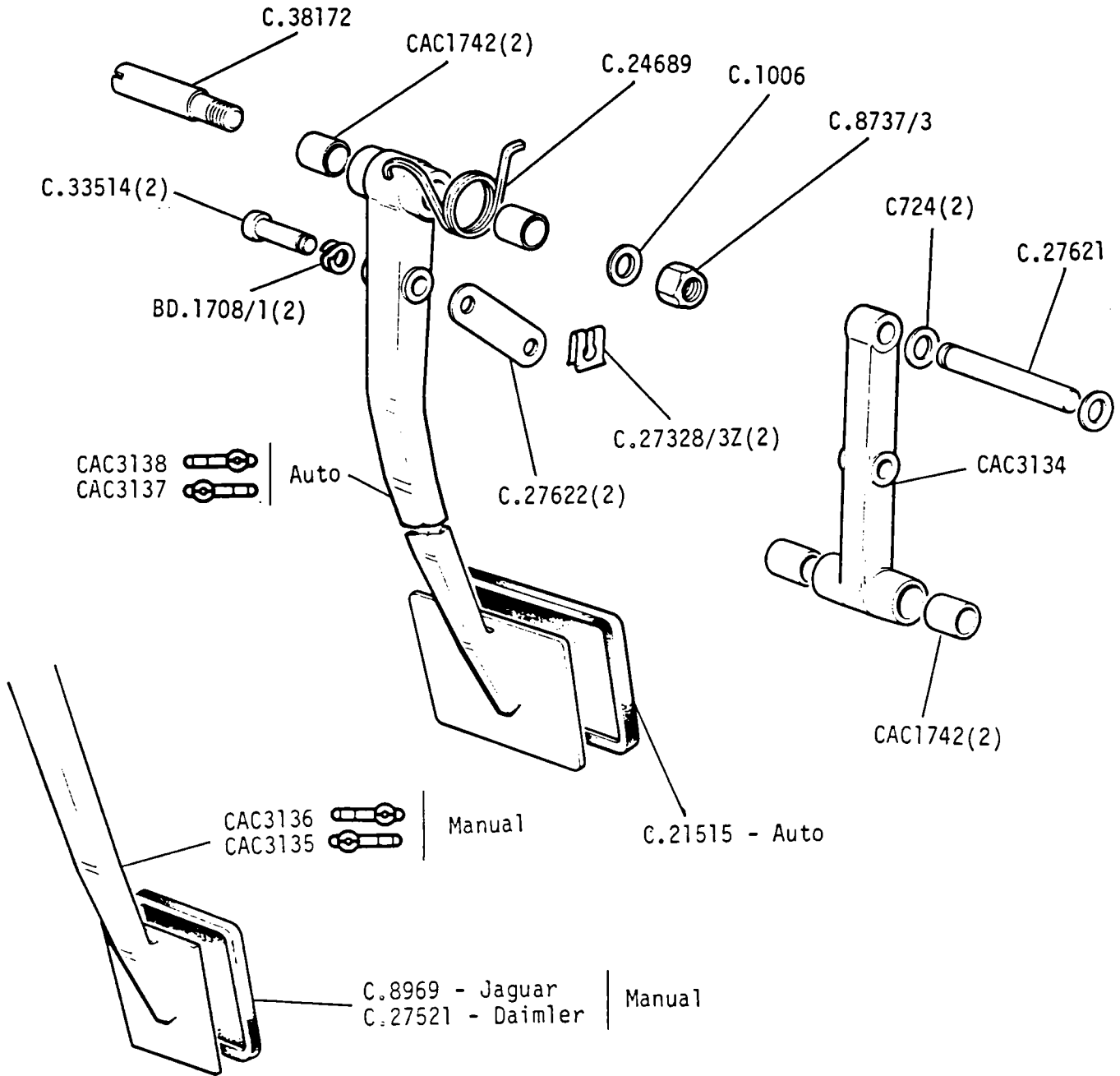


SM5640

Jaguar XJ6 3.4 and 4.2 and Jaguar Sovereign Series 3
Daimler 4.2 and Jaguar Vanden Plas Series 3

1H 03L

GROUP G
BRAKE CONTROLS - Pedal

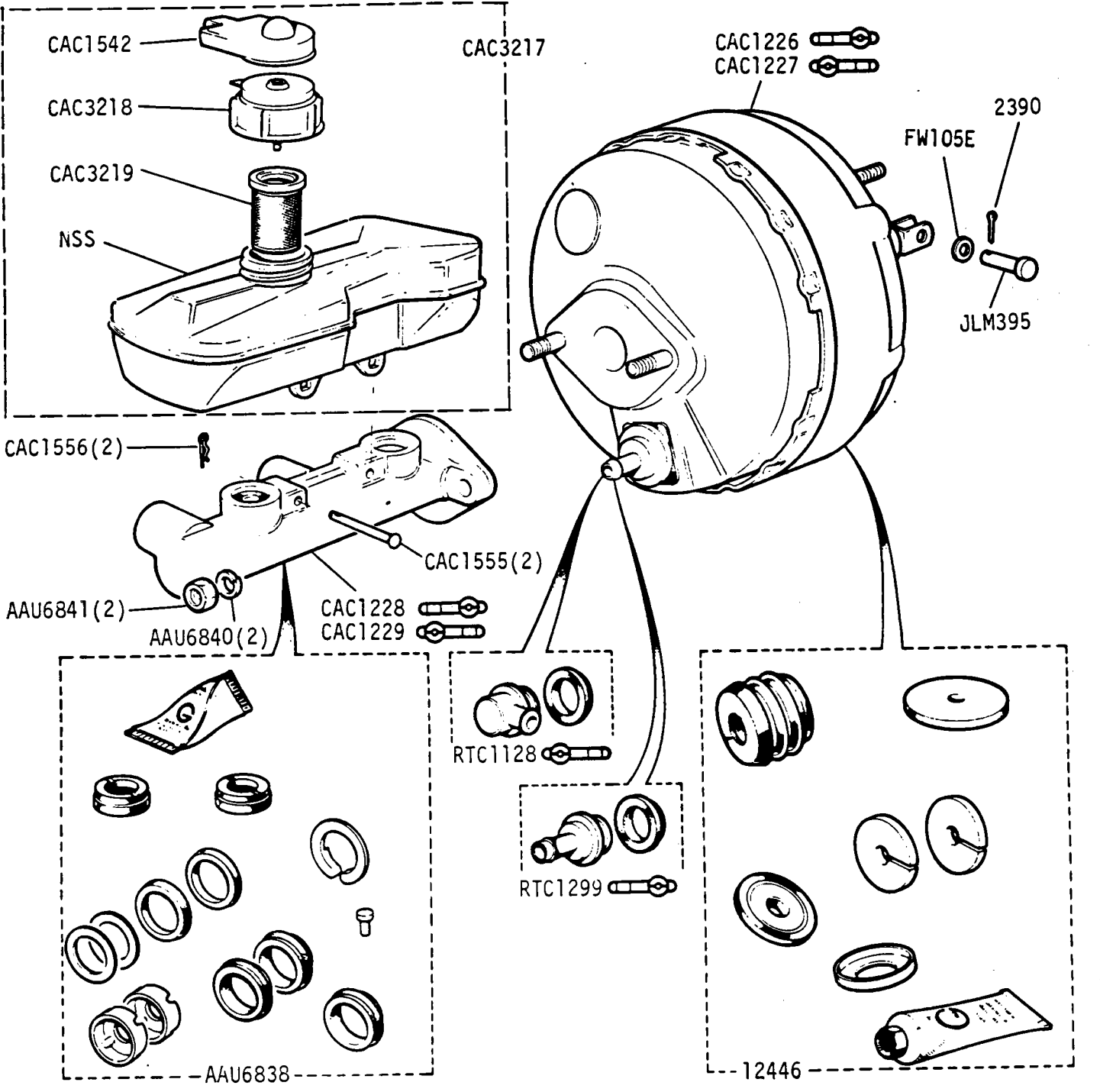


SM5641

Jaguar XJ6 3.4, 4.2 and Jaguar Sovereign Series 3
Daimler 4.2 and Jaguar Vanden Plas Series 3

1H 03R

GROUP G
BRAKE CONTROLS — Servo, Master Cylinder and Reservoir

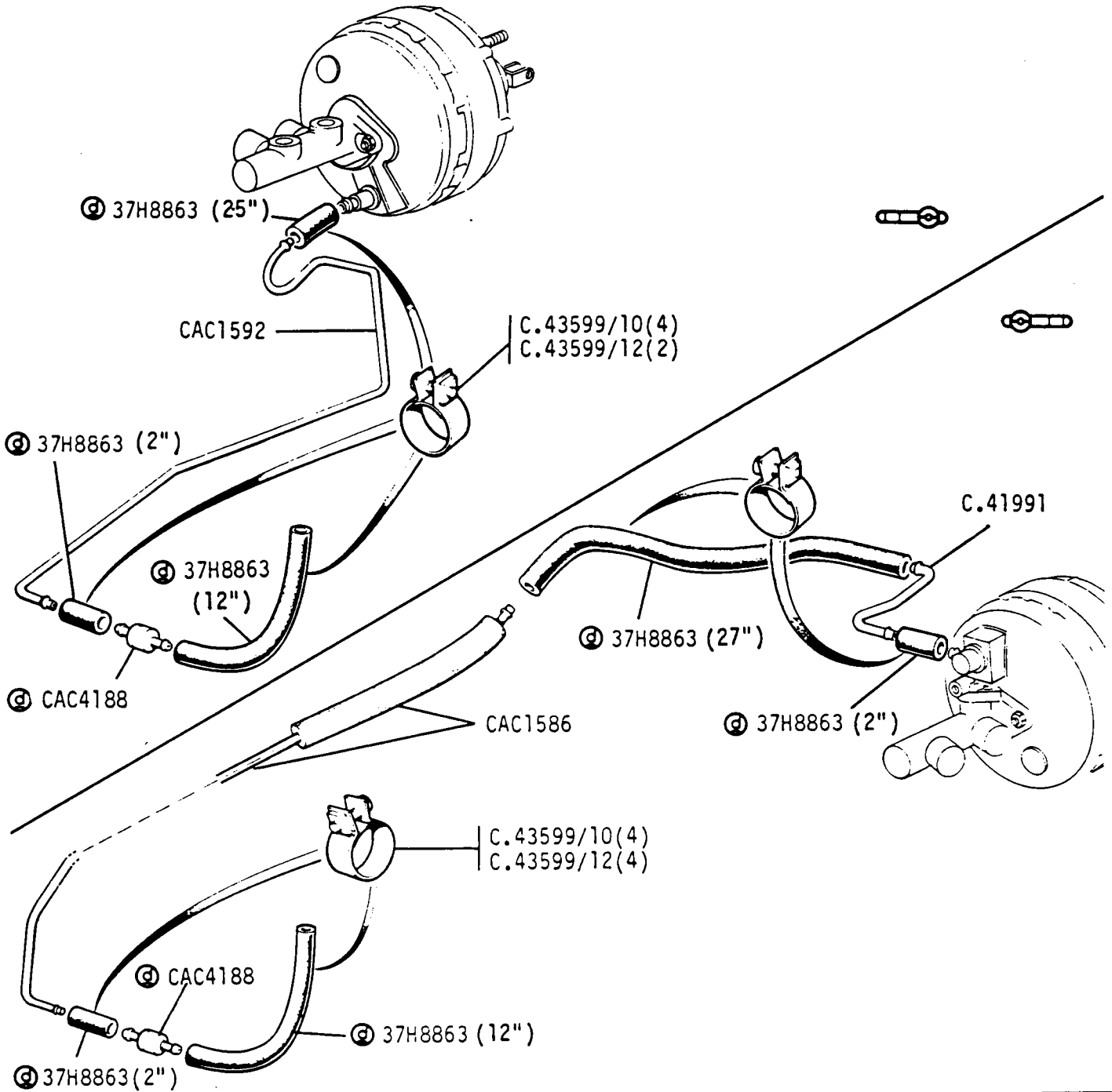


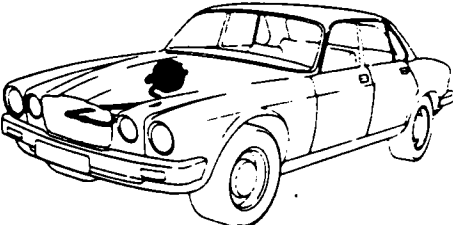
SM5698

Jaguar XJ6 3.4, 4.2 and Jaguar Sovereign Series 3
Daimler 4.2 and Jaguar Vanden Plas Series 3

1H 04L

GROUP G
BRAKE CONTROLS - Vacuum Pipes and Hoses - 3.4



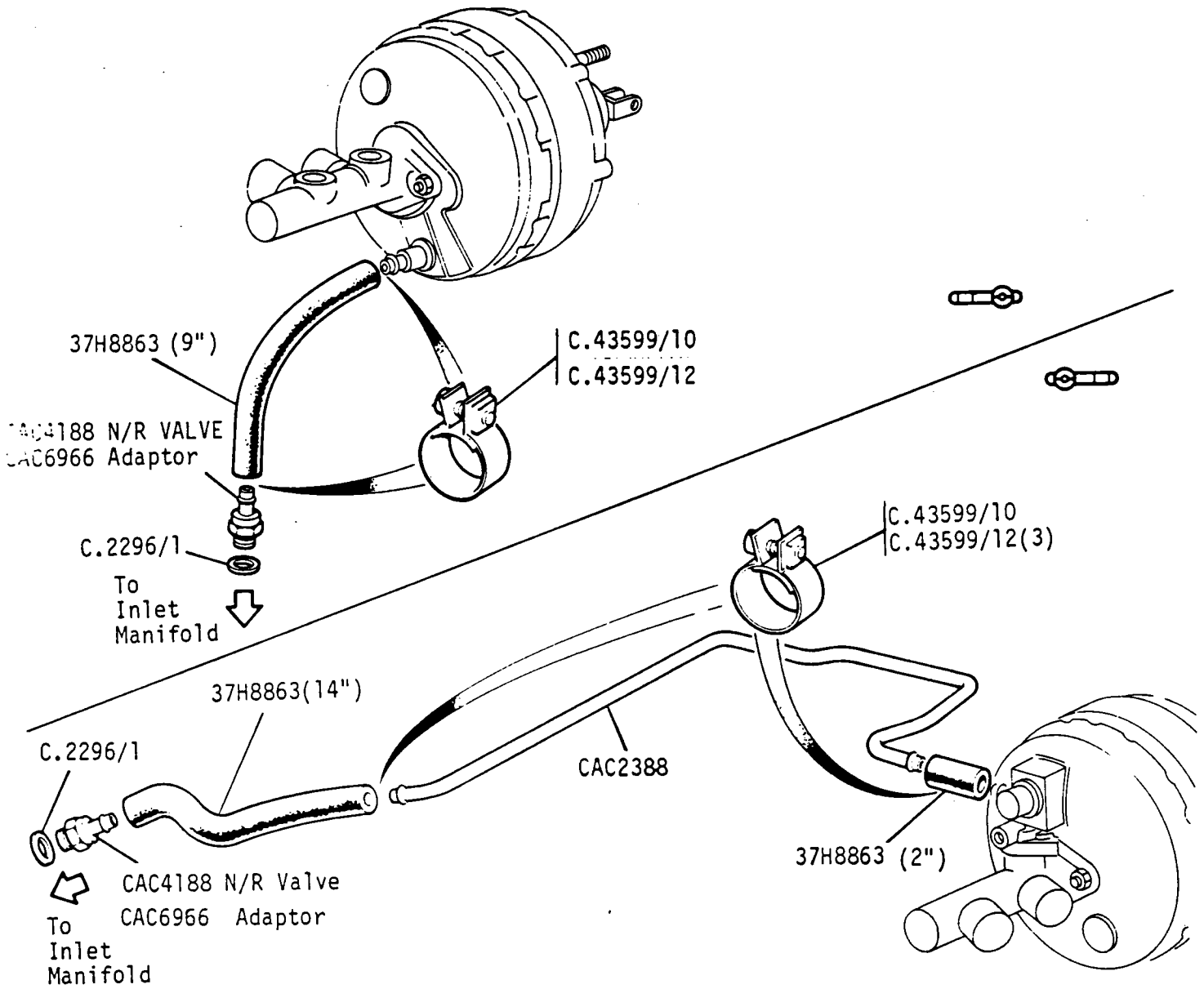


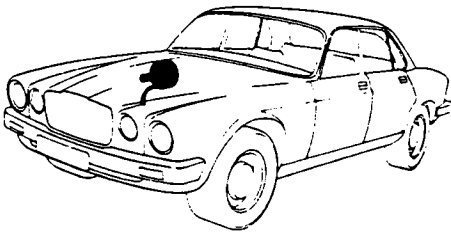
SM5130

Jaguar XJ6 3.4, 4.2 and Jaguar Sovereign Series 3
Daimler 4.2 and Jaguar Vanden Plas Series 3

1H 04R

GROUP G
BRAKE CONTROLS - Vacuum Pipes and Hoses - 4.2



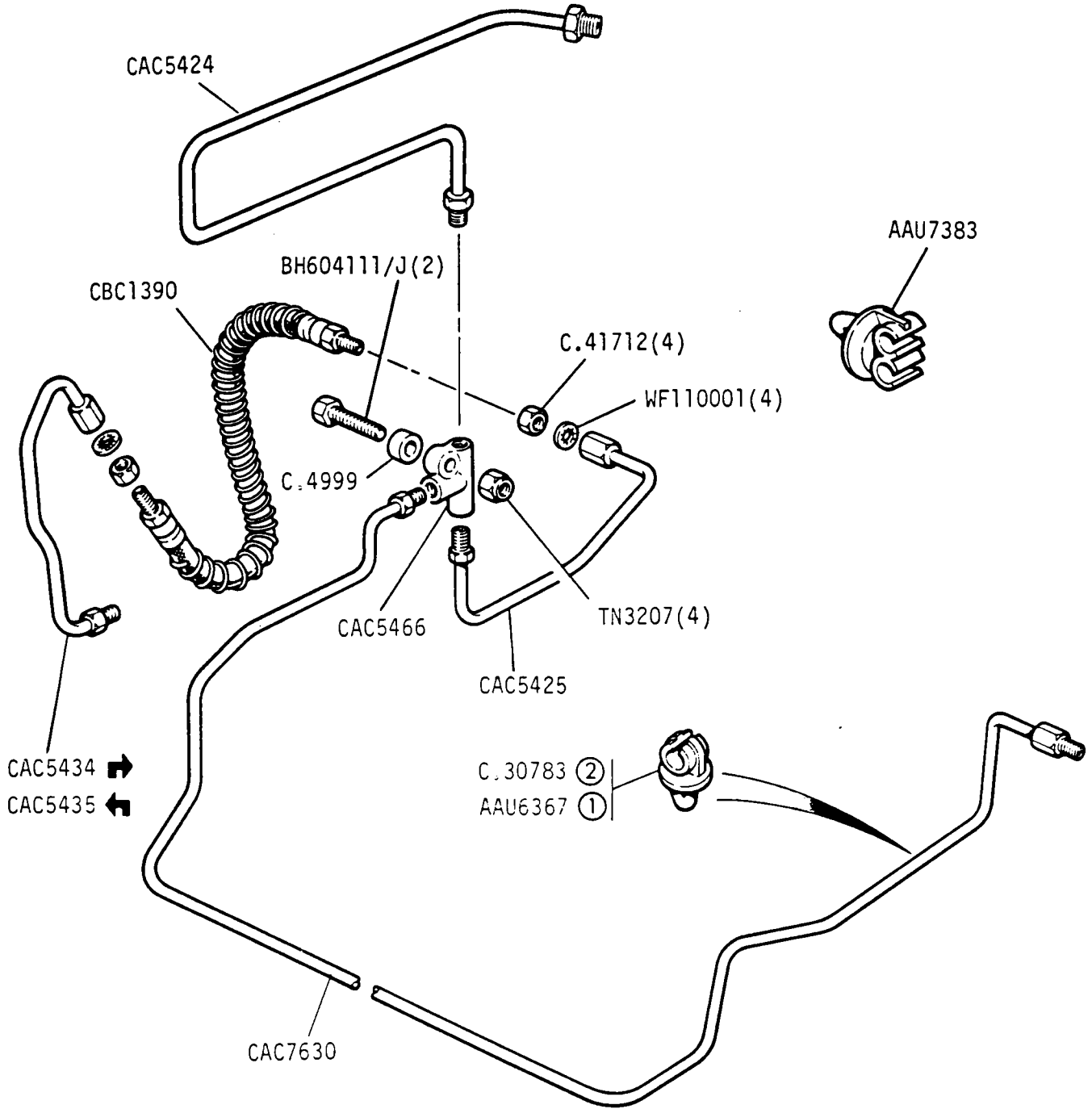


VS2014

Jaguar XJ6 3.4, 4.2 and Jaguar Sovereign Series 3
Daimler 4.2 and Jaguar Vanden Plas Series 3

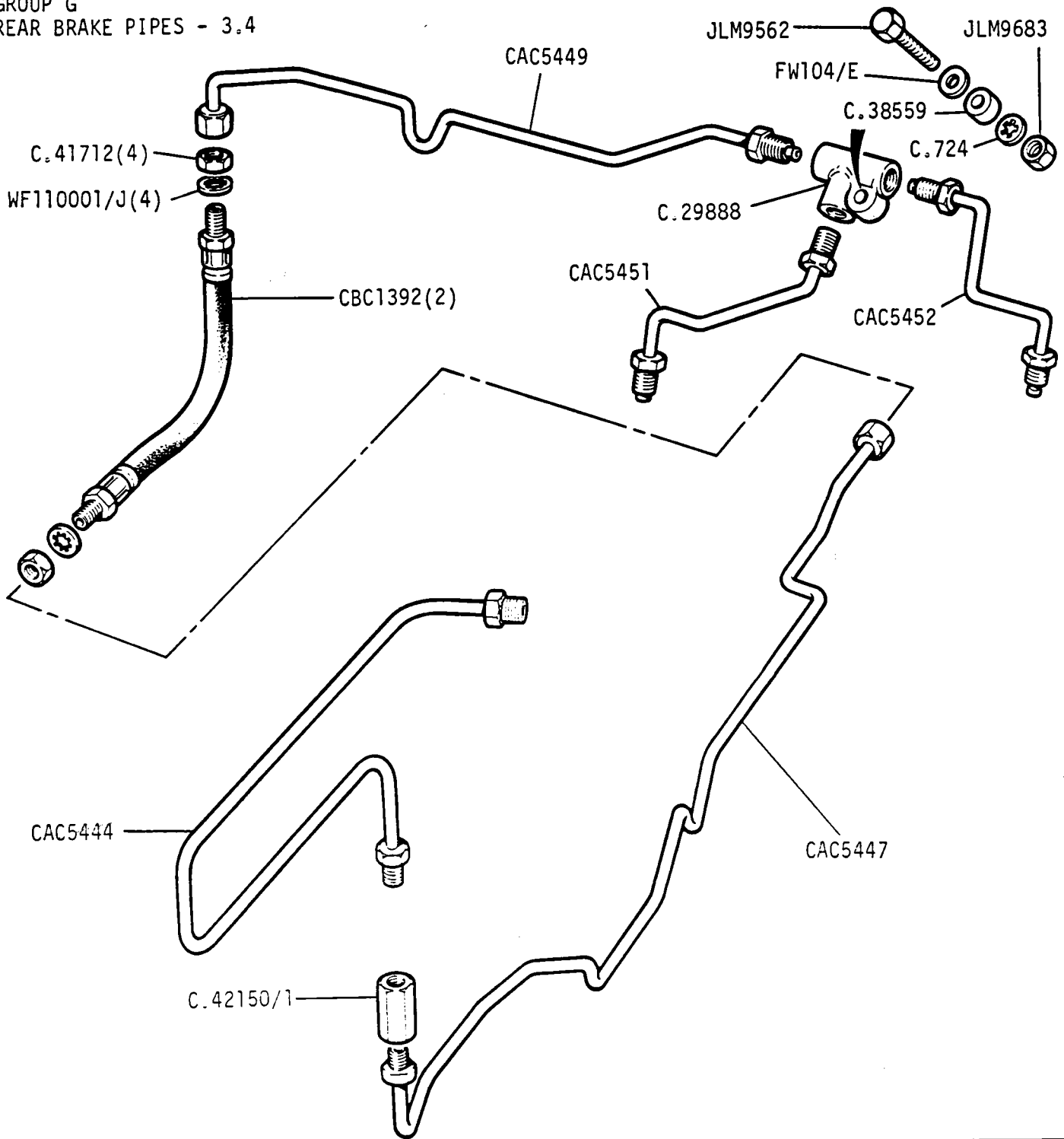
1H 05L

GROUP G
 FRONT BRAKE PIPES - 3.4 



① Pipe to Longitudinal Member	VS4478
② Pipe to Crossmember	
Jaguar XJ6 3.4, 4.2 and Jaguar Sovereign Series 3 Daimler 4.2 and Jaguar Vanden Plas Series 3	
1H 05R	

GROUP G
REAR BRAKE PIPES - 3.4

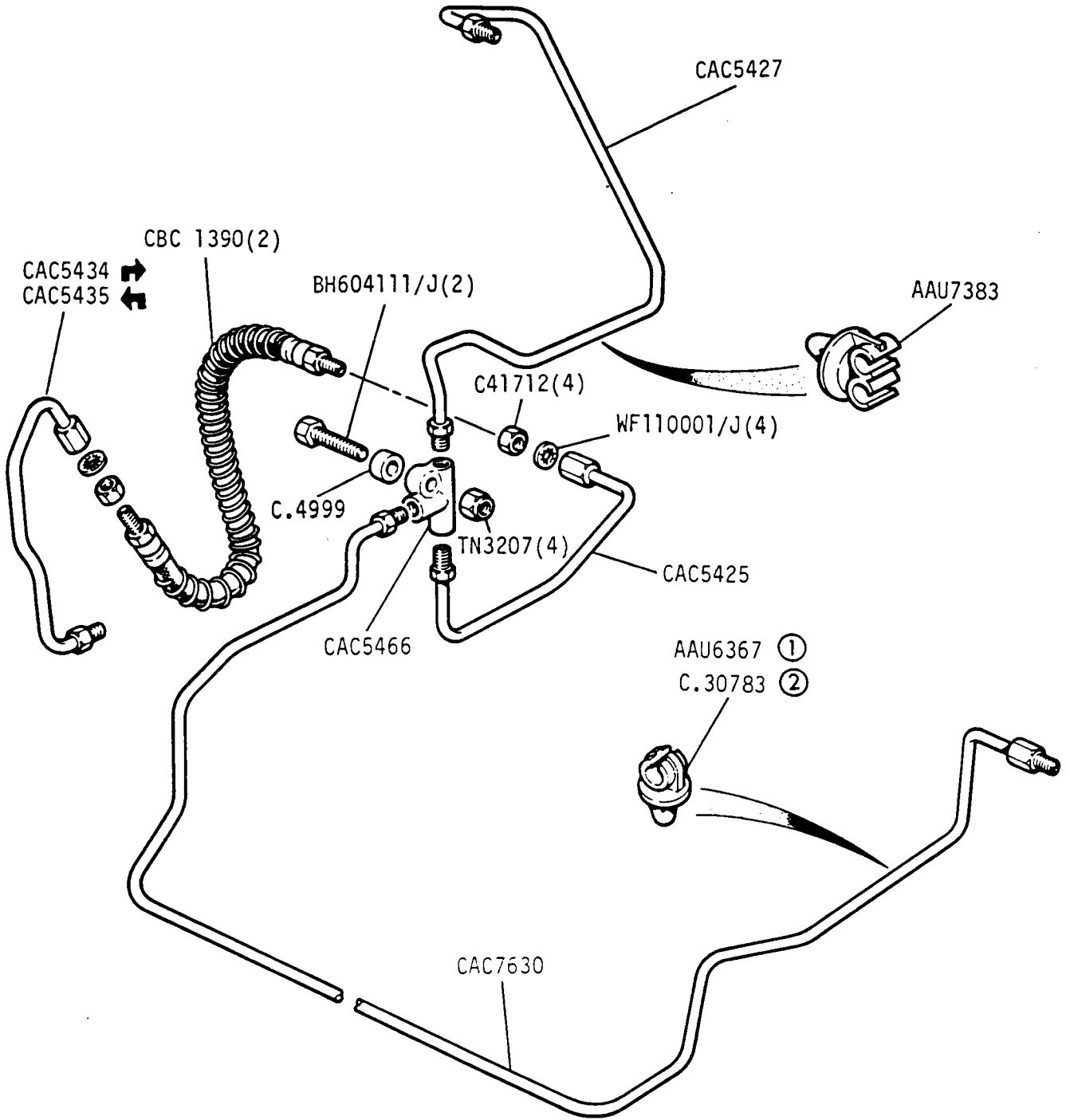


VS4449

Jaguar XJ6 3.4, 4.2 and Jaguar Sovereign Series 3
Daimler 4.2 and Jaguar Vanden Plas Series 3

1H C6L

GROUP G
 FRONT BRAKE PIPES - 4.2 



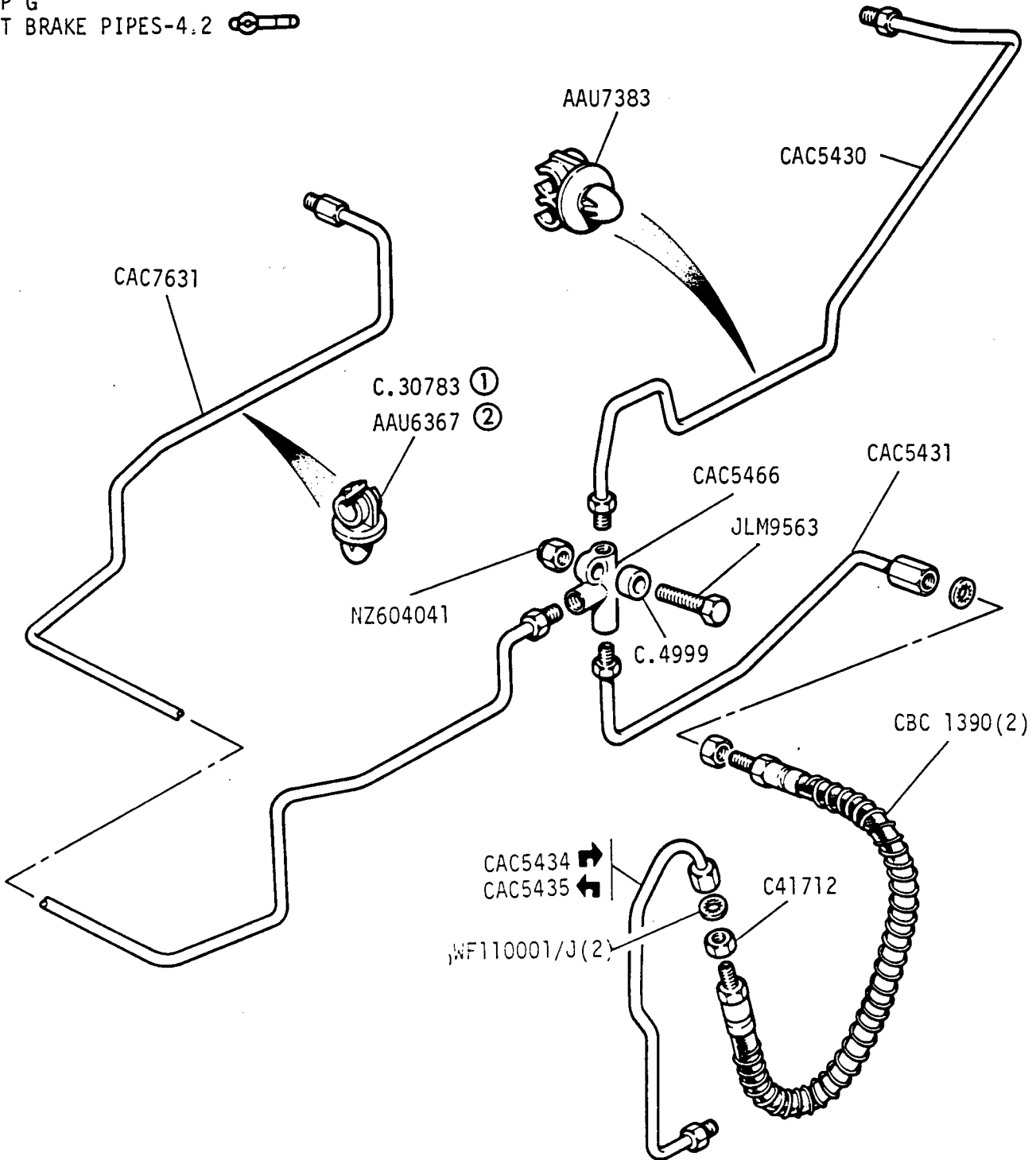
- ① Pipe to Longitudinal Member
- ② Pipe to Crossmember

VS4478

Jaguar XJ6 3.4, 4.2 and Jaguar Sovereign Series 3
 Daimler 4.2 and Jaguar Vanden Plas Series 3

1H 06R

GROUP G
FRONT BRAKE PIPES-4.2 



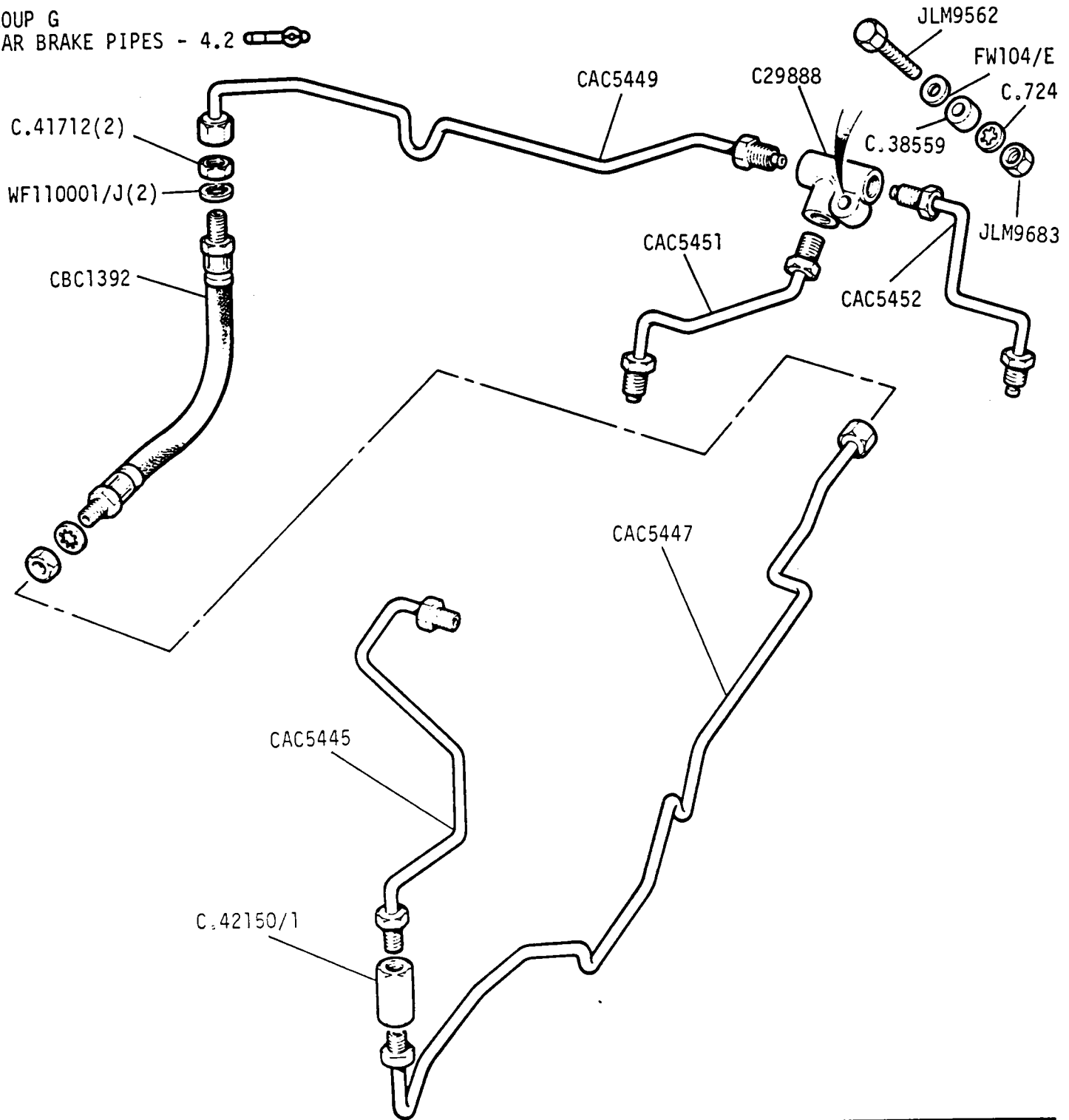
- ① CAC7631 to Crossmember.
- ② CAC7631 to RH & LH Longitudinal Member.

VS4479

Jaguar XJ6 3.4, 4.2 and Jaguar Sovereign Series 3
Daimler 4.2 and Jaguar Vanden Plas Series 3

1H 07L

GROUP G
REAR BRAKE PIPES - 4.2

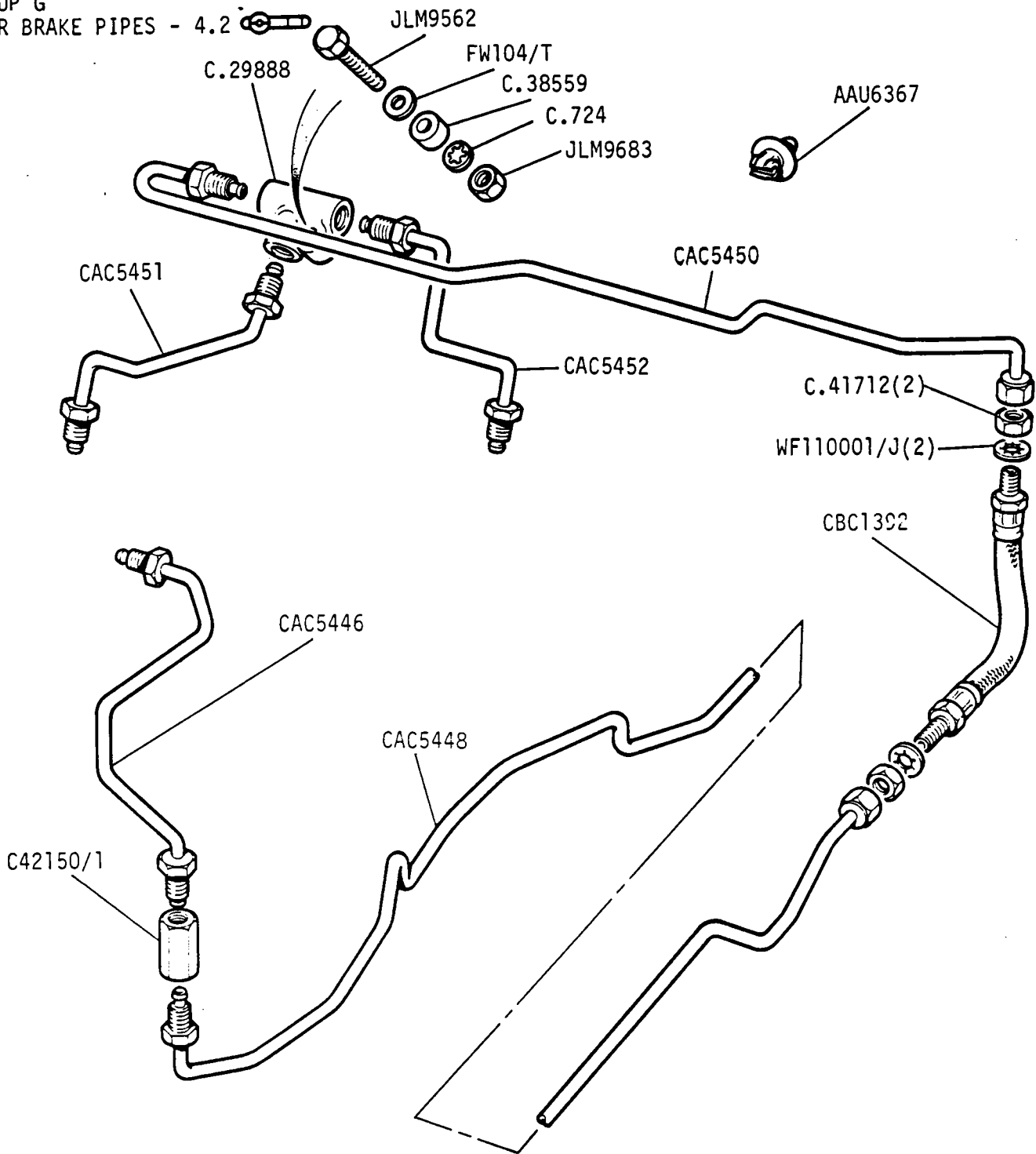


VS4449

Jaguar XJ6 3.4, 4.2 and Jaguar Sovereign Series 3
Daimler 4.2 and Jaguar Vanden Plas Series 3

1H 07R

GROUP G
REAR BRAKE PIPES - 4.2

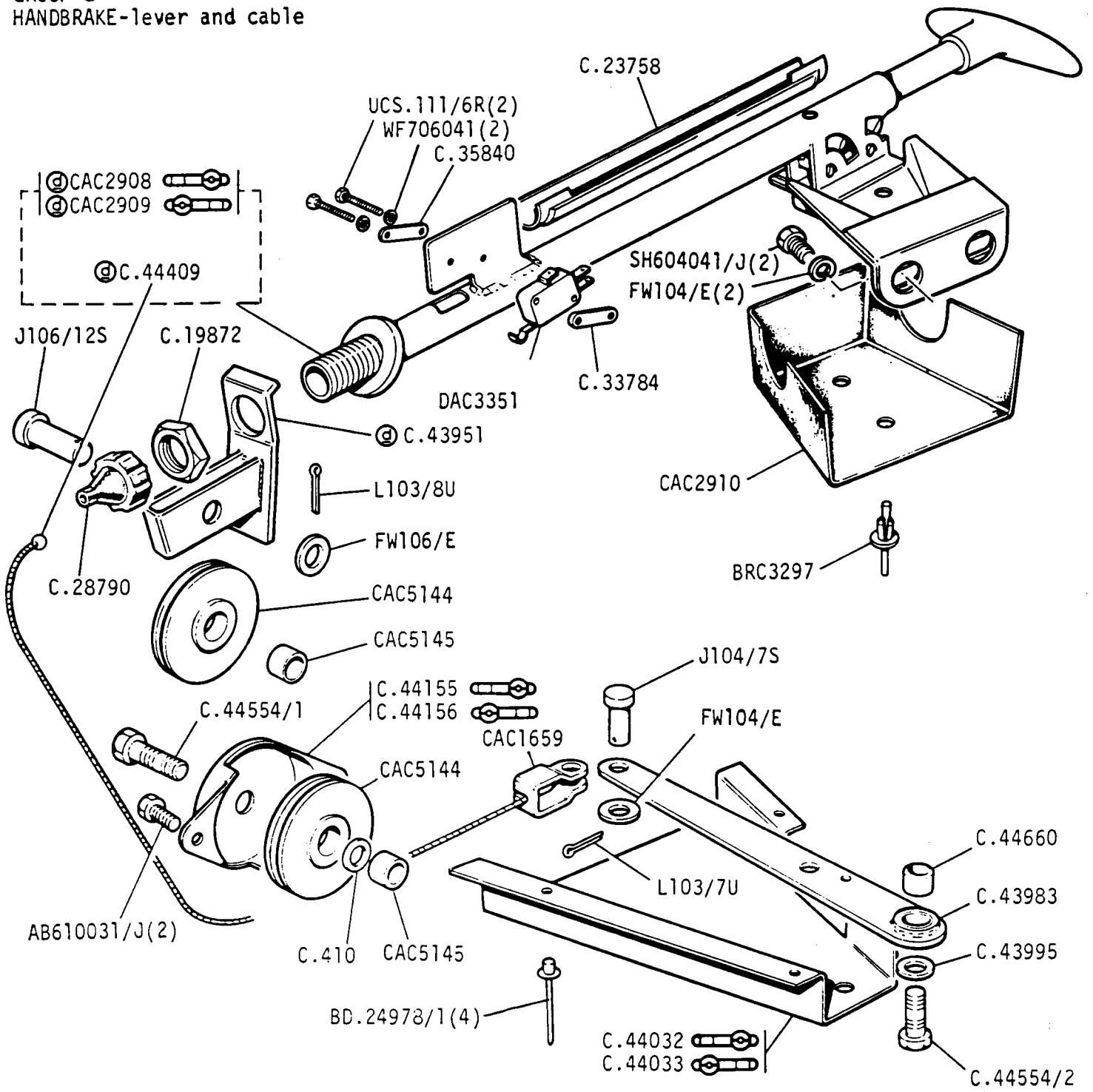


VS4450

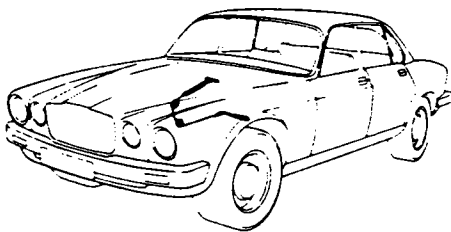
Jaguar XJ6 3.4, 4.2 and Jaguar Sovereign Series 3
Daimler 4.2 and Jaguar Vanden Plas Series 3

1H 08L

GROUP G
 HANDBRAKE-lever and cable



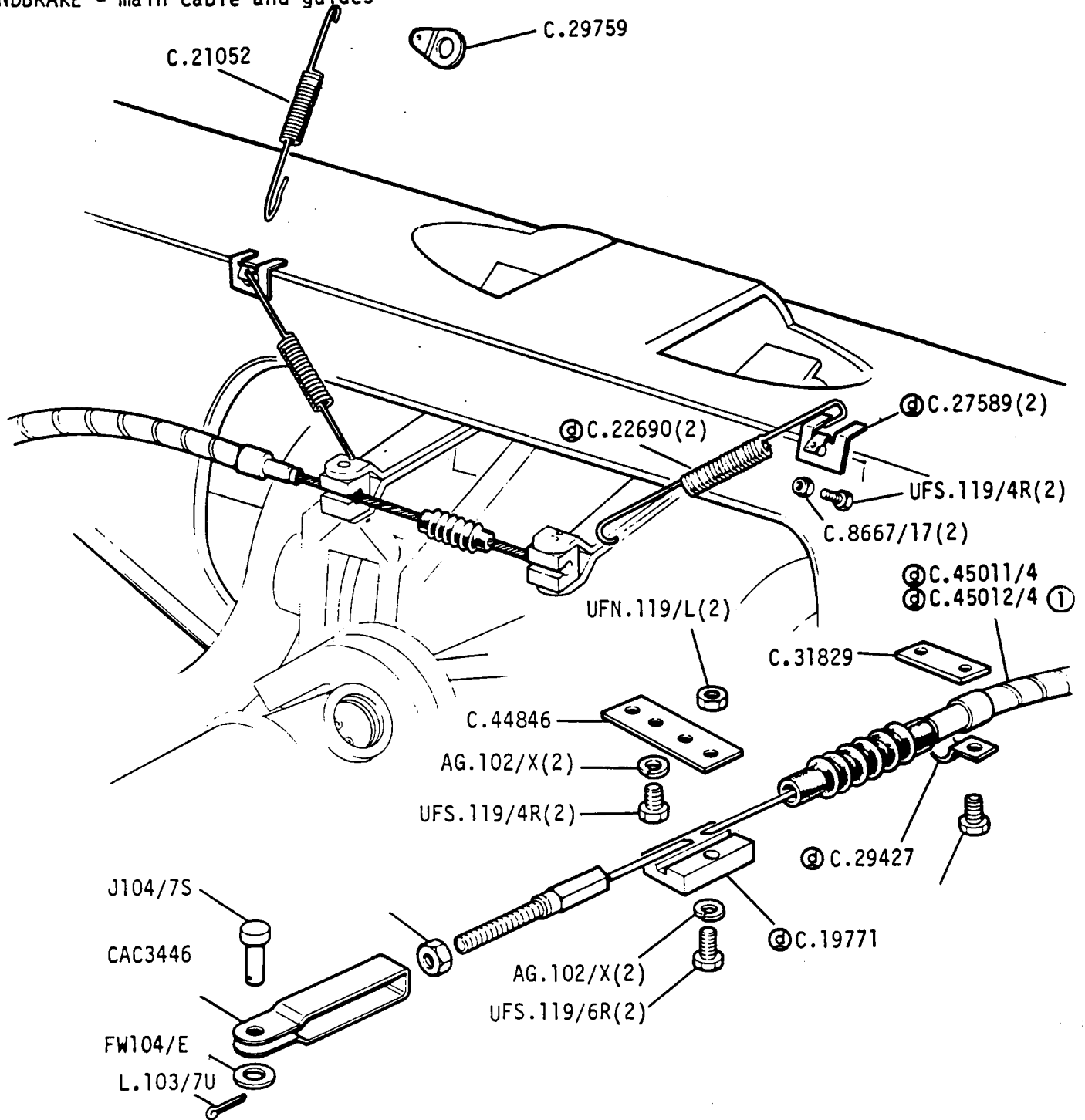
VS1582



Jaguar XJ6 3.4 and 4.2 and Jaguar Sovereign Series 3
 Daimler 4.2 and Jaguar Vanden Plas Series 3

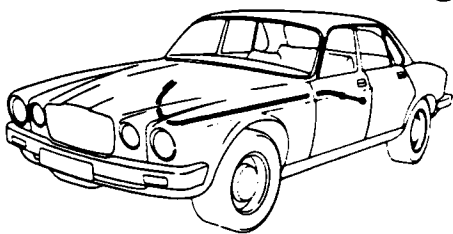
1H 08R

GROUP G
 HANDBRAKE - main cable and guides



① CDN/J/USA only

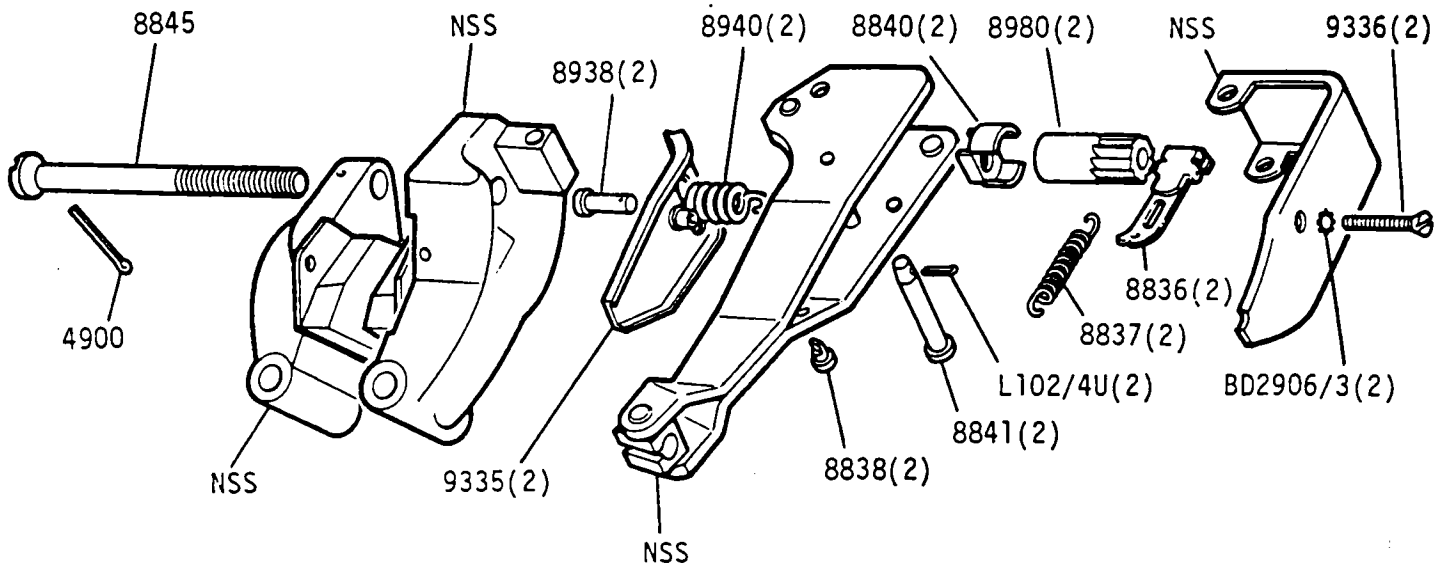
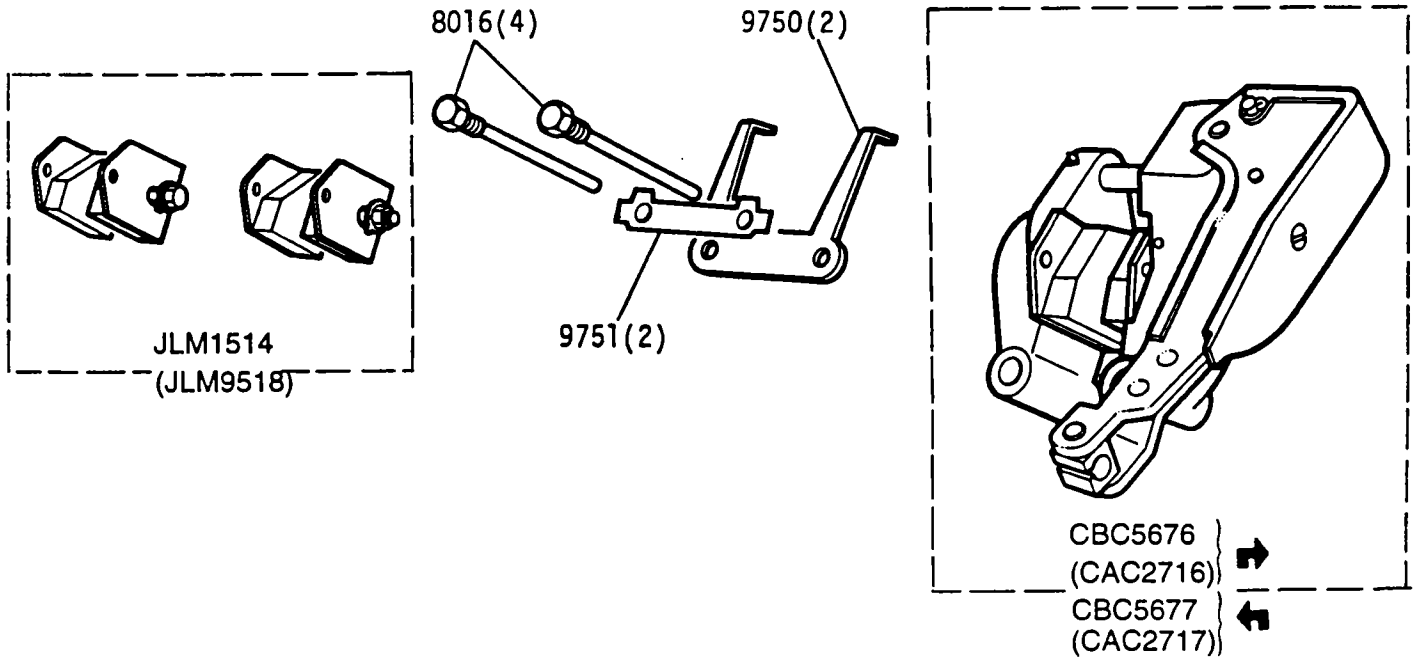
VS.1583



Jaguar XJ6 3.4 and 4.2 and Jaguar Sovereign Series 3
 Daimler 4.2 and Jaguar Vanden Plas Series 3

1H 09L

GROUP G
 HANDBRAKE - Mechanism



VS3108

Jaguar XJ6 3.4 and 4.2 and Jaguar Sovereign Series 3
 Daimler 4.2 and Jaguar Vanden Plas Series 3

1H 09R