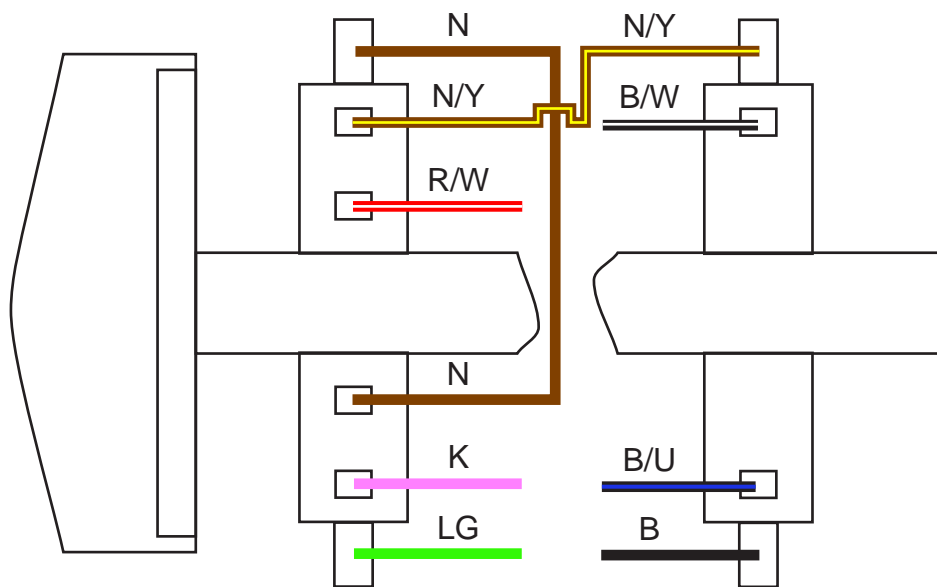


# Air conditioning climate control system Schematic drawing Jaguar XJ6 Series III and XJ-S (early) non MK III

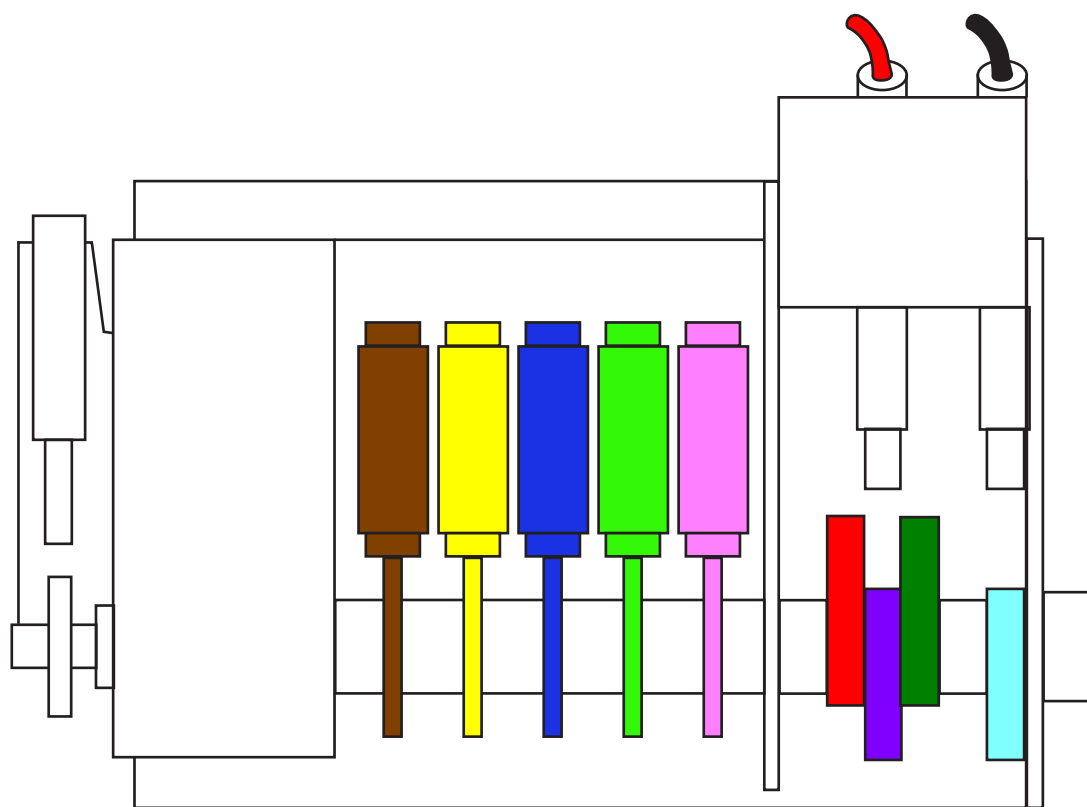
Mode Control Switch (R/H)



Wire colour key

B	Black
w	White
N	Brown
Y	Yellow
U	Blue
G	Green
K	Pink
R	Red
S	Slate

Where 2 colours are stated the First is the primary colour and the second is the tracer.

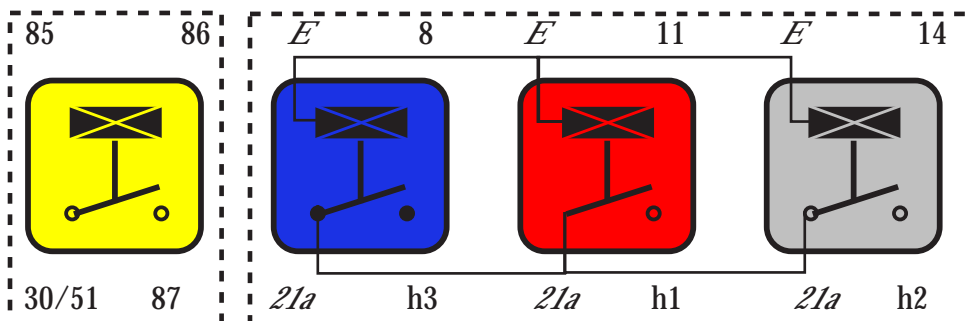
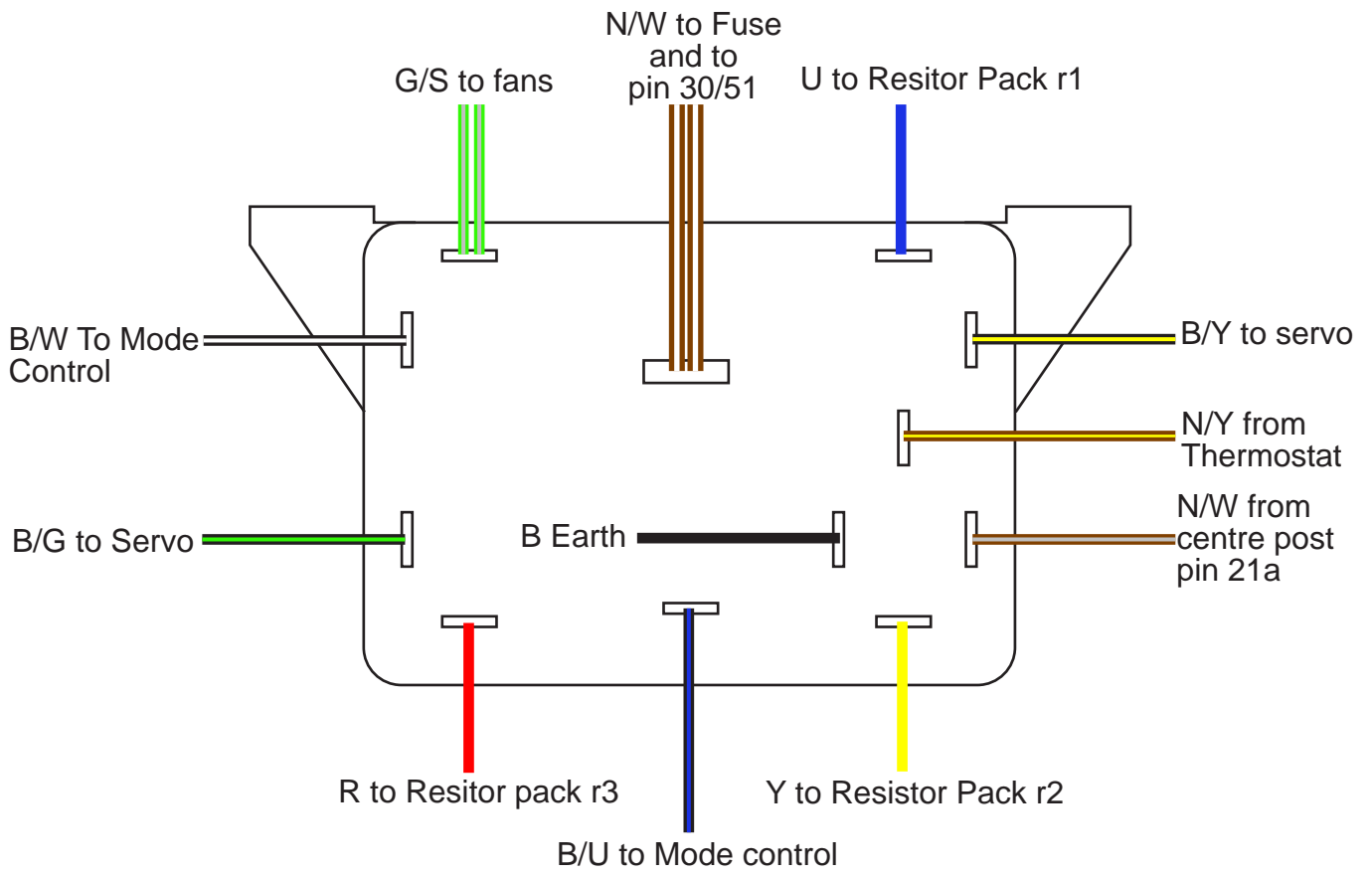
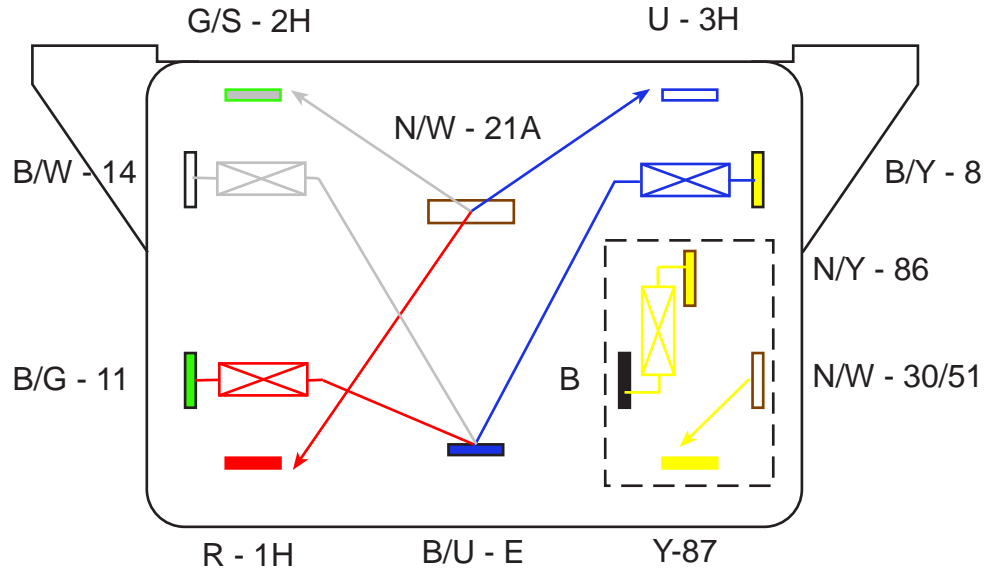


# Main Relay

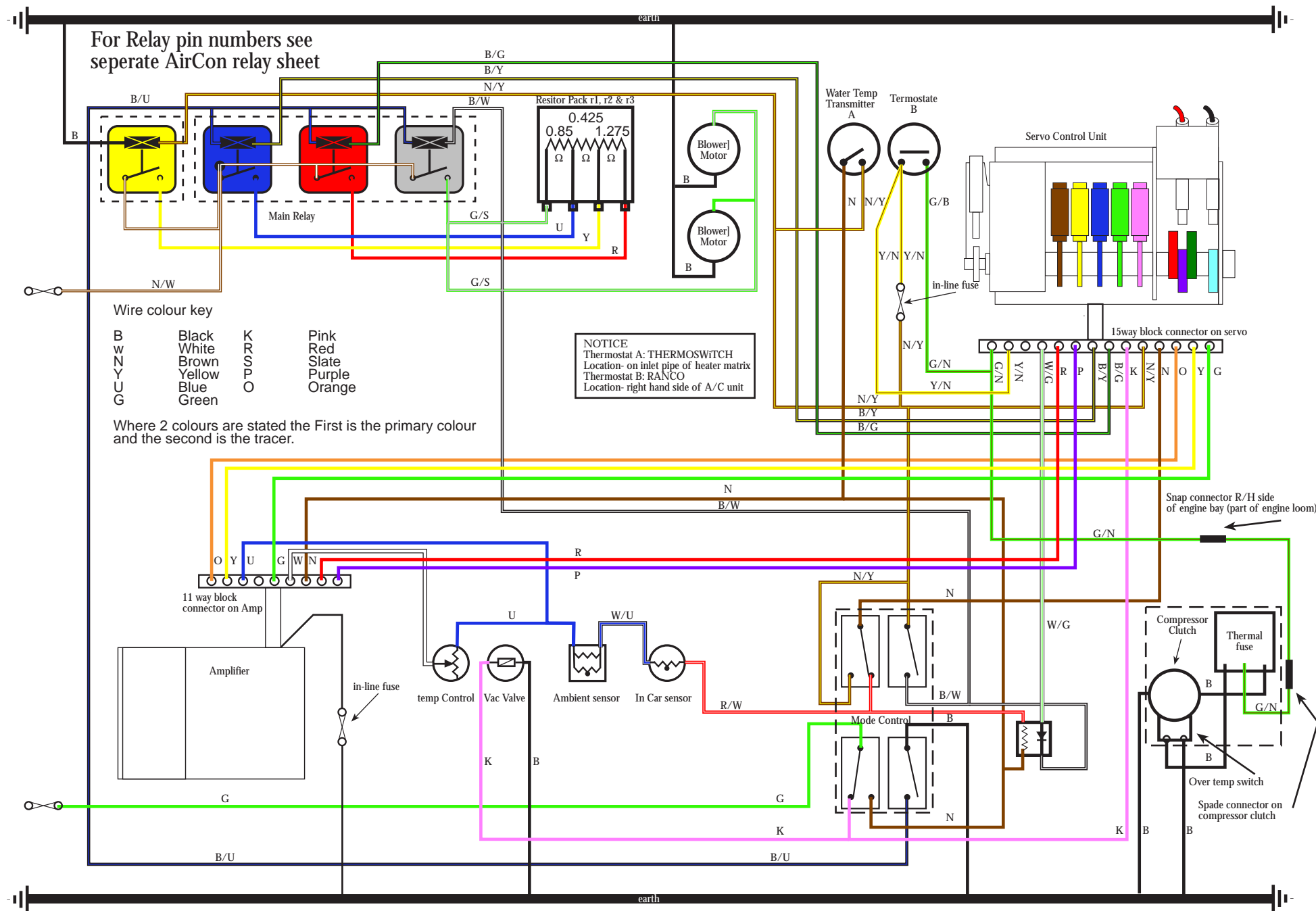
## Wire colour key

B	Black
w	White
N	Brown
Y	Yellow
U	Blue
G	Green
K	Pink
R	Red
S	Slate

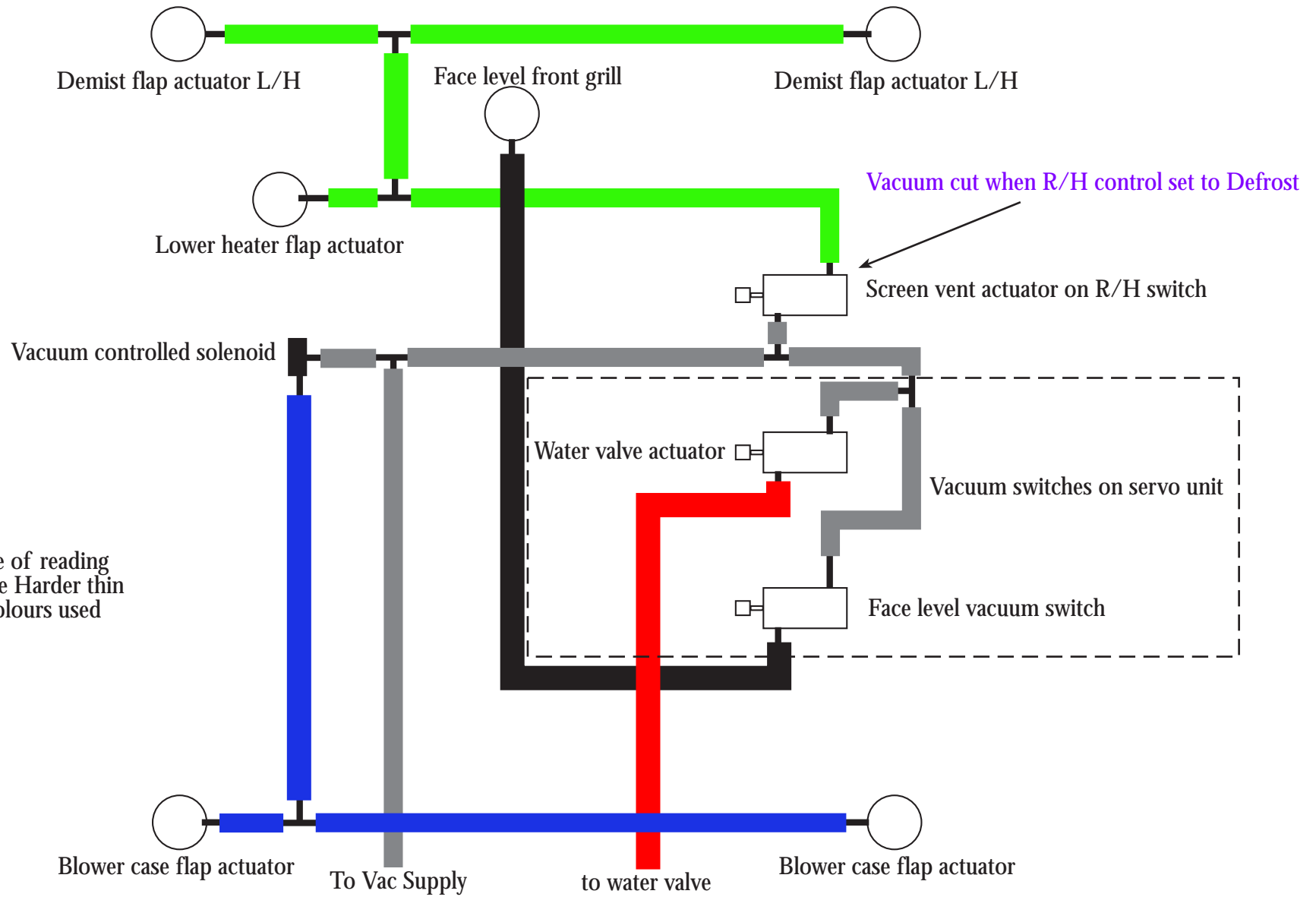
Where 2 colours are stated the First is the primary colour and the second is the tracer.



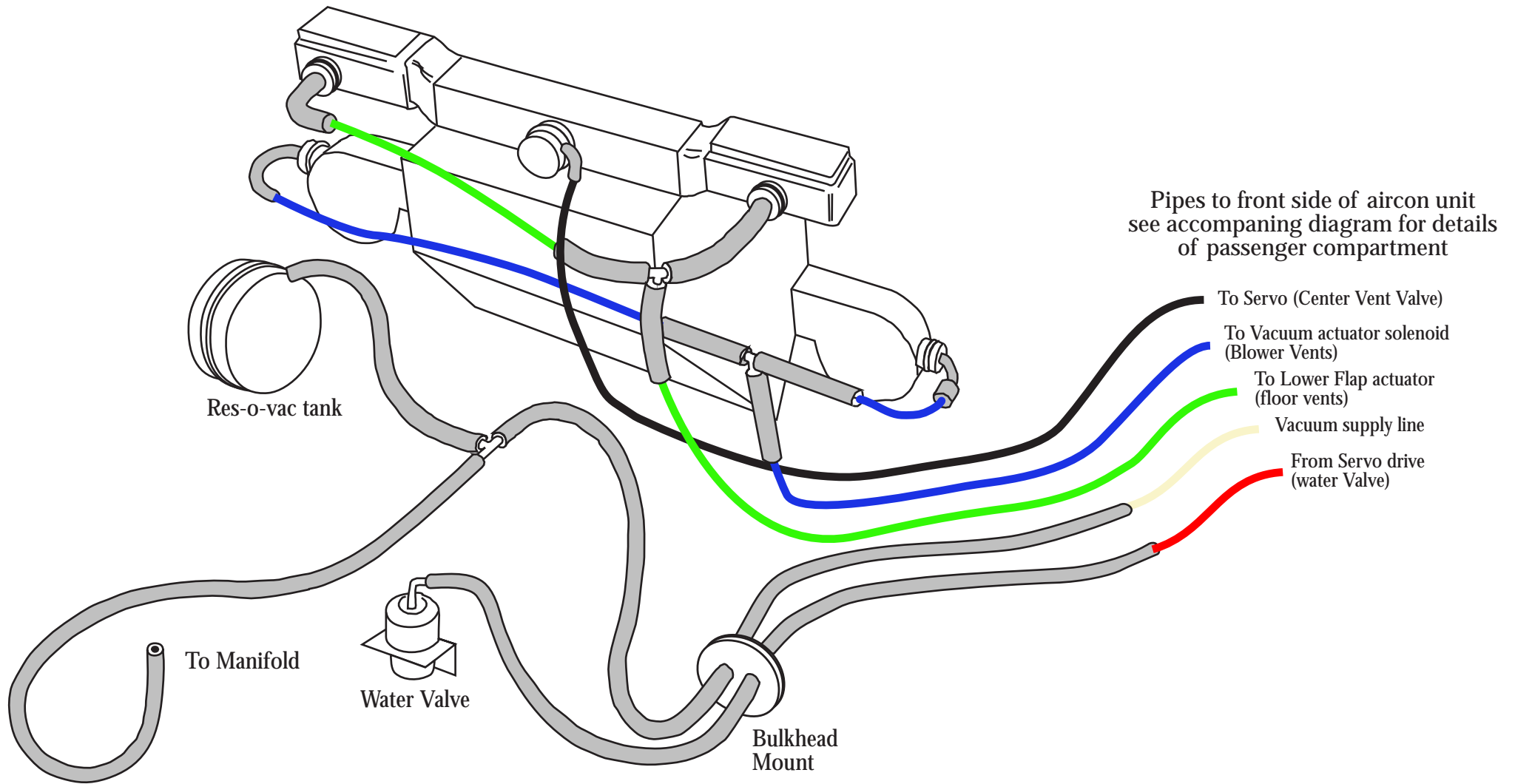
# Schematic for Jaguar Aircon Climate control XJ6/12 and XJS upto V139501



# Jaguar XJ6 Vacuum System



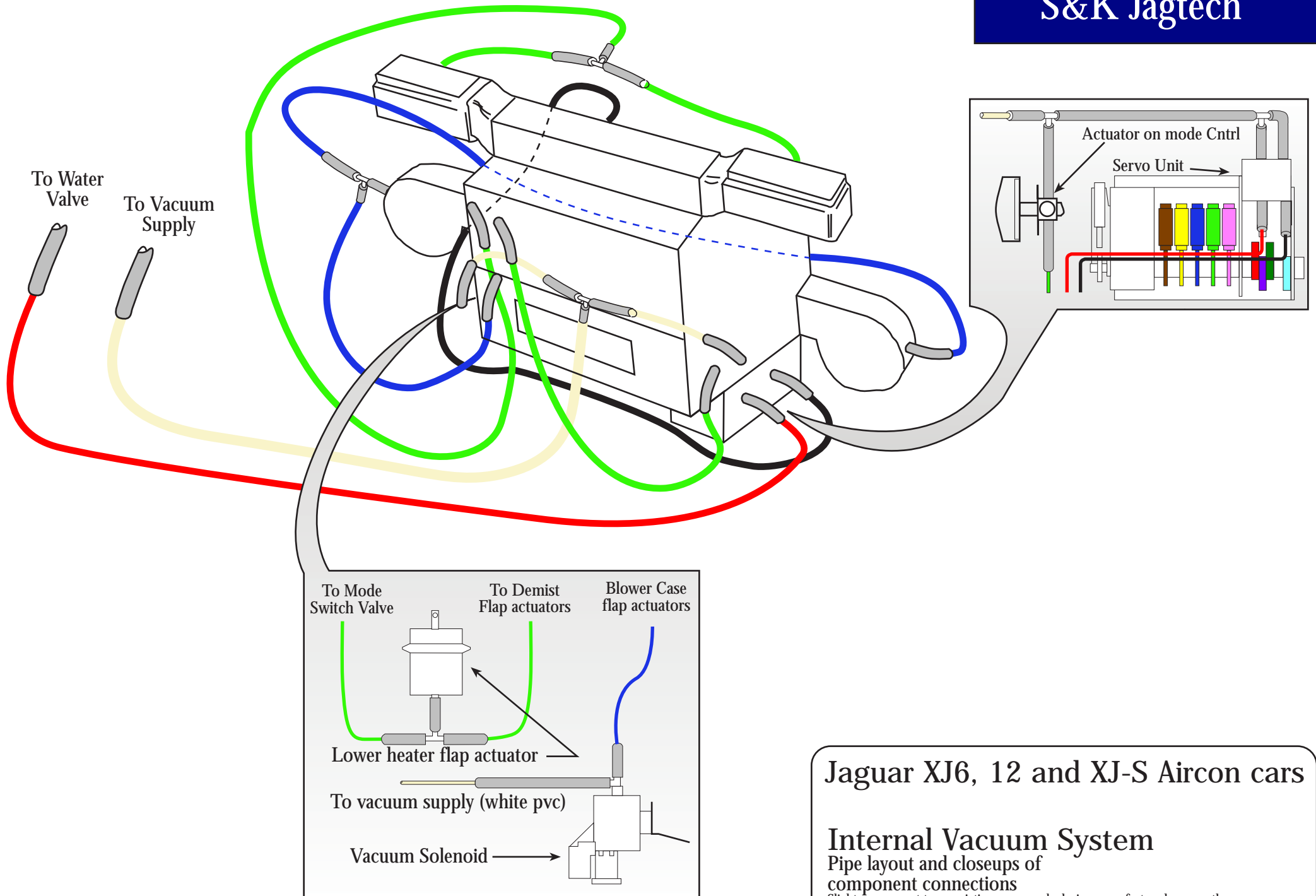
Colours are for ease of reading but do represent the Harder thin bore PVC tubing colours used



Jaguar XJ6, 12 and XJ-S Aircon cars

Engine Bay Aircon Vacuum System

Pipe layout and component connections (not to scale)



## Jaguar XJ6, 12 and XJ-S Aircon cars

### Internal Vacuum System Pipe layout and closeups of component connections

Slight component type variations may apply during manufacture however the vacuum connections are the same throughout production