

PUBLICATION S 57
REVISED 7/88














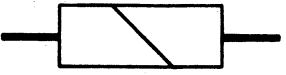



JAGUAR

© 1988 Jaguar Cars Inc.

All rights reserved. All material contained herein is based on the latest information available at the time of publication. The right is reserved to make changes at any time without notice.

SYMBOLS

	PIN AND SOCKET CONNECTOR
	SNAP CONNECTOR
	DOUBLE SNAP CONNECTOR
	BULKHEAD CONNECTOR
	LINE SPLICE
	POWER GROUND VIA BLACK WIRE
	POWER GROUND VIA COMPONENT MOUNTING
	LOGIC GROUND
	BULB
	DIODE
	RESISTOR
	FUSE
	MOTOR
	SOLENOID
	CAPACITOR

CONNECTOR JUNCTIONS

CF(), CP(), CR()

Refer to the HARNESS LAYOUT—CONNECTOR JUNCTION LOCATIONS chart (Fig. 1.1) to identify the location of the connector.

GROUND POINTS

G2 through G18

Refer to the CHASSIS GROUND POINTS chart (Fig. 1.2) to identify the location of the ground point.

WIRING COLOR CODE

N	BROWN	Y	YELLOW
B	BLACK	O	ORANGE
W	WHITE	S	SLATE (GRAY)
K	PINK	L	LIGHT
G	GREEN	U	BLUE
R	RED	P	PURPLE

When a wire has two color code letters, the first letter indicates the main color and the second letter indicates the tracer color.

Example: WK = white with a pink tracer. PGS = purple with a green and slate tracer.

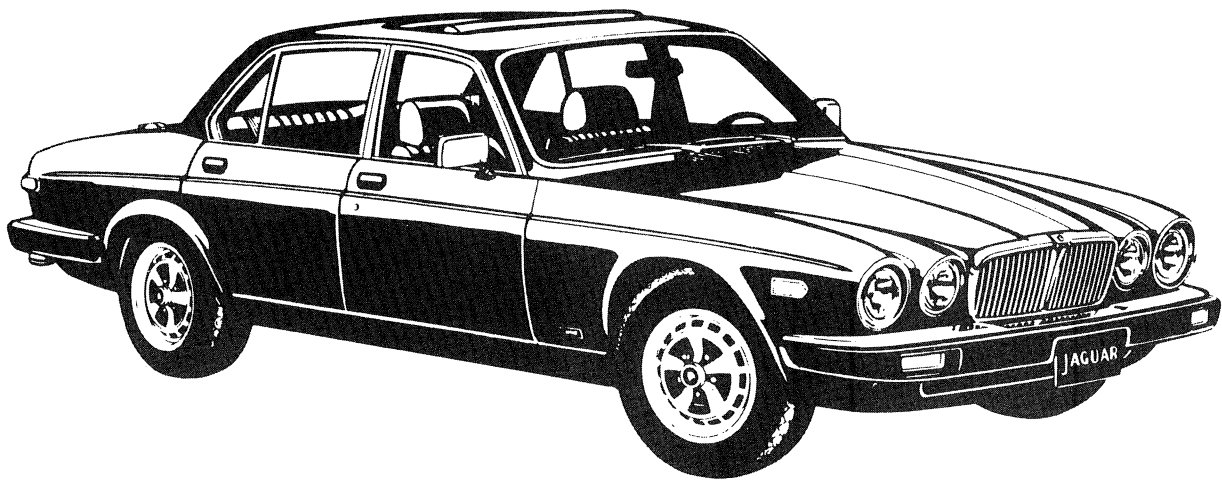
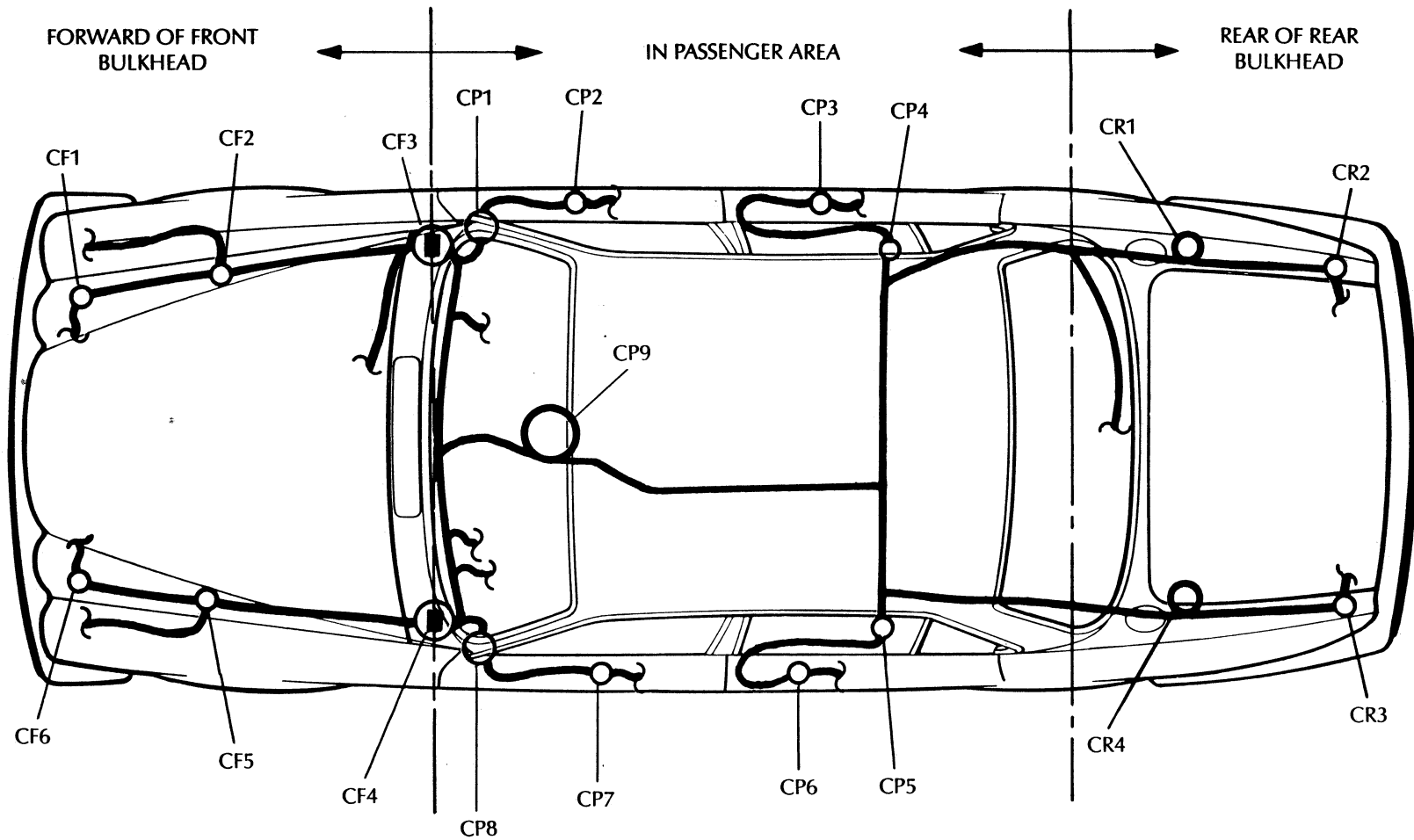


TABLE OF CONTENTS (XJ6 III 4.2)

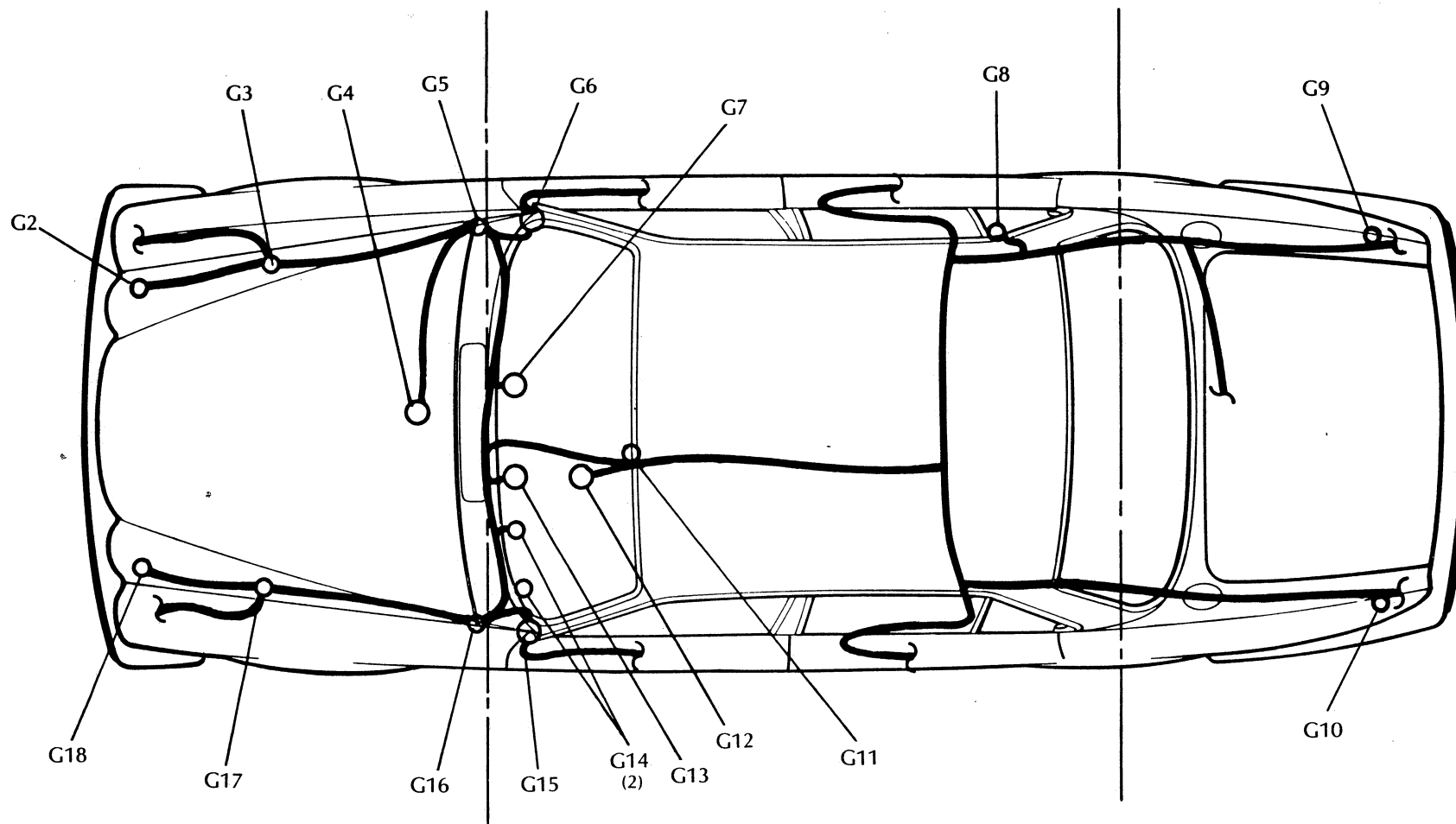
DESCRIPTION	WIRING DIAGRAM	COMPONENT LOCATION
HARNESS LAYOUT/CONNECTOR JUNCTION LOCATIONS	—	1.1
CHASSIS GROUND POINTS	—	1.2
BATTERY/STARTER/ALTERNATOR	2.1	2.2
POWER DISTRIBUTION — DIRECT BATTERY FEEDS	3.1	3.2
POWER DISTRIBUTION — IGNITION FEEDS	4.1	4.2
HEADLIGHTS	5.1	5.2
PARKING/MARKER LIGHTS	6.1	6.2
HAZARD/TURN SIGNALS	7.1	7.2
BRAKE LIGHTS/REVERSE LIGHTS	8.1	8.2
WARNING LIGHTS	9.1	9.2
INTERIOR LIGHTING	10.1	10.2
PANEL LIGHTING/CIGAR LIGHTER(S)	11.1	11.2
HEATED REAR WINDOW	12.1	12.2
WINDSHIELD WIPERS/WASHER	13.1	13.2
POWER SEAT/EARLY RADIO/ANTENNA	14.1	14.2
LATE RADIO/ANTENNA	15.1	15.2
HORNS/COOLING FAN	16.1	16.2
INSTRUMENTATION/FUEL TANK SWITCHING	17.1	17.2
SPEEDOMETER/TRIP COMPUTER	18.1	18.2
CRUISE CONTROL	19.1	19.2
POWER WINDOWS/SUN ROOF	20.1	20.2
DOOR LOCKS — SOLENOID	21.1	21.2
DOOR LOCKS — MOTORIZED	22.1	22.2
POWER MIRRORS	23.1	23.2
EFI/EMISSIONS CONTROL	24.1	24.2
CLIMATE CONTROL	25.1	25.2



CF1 RIGHT FRONT CORNER
 CF2 RIGHT FRONT INNER FENDER
 CF3 RIGHT BULKHEAD
 CF4 LEFT BULKHEAD
 CF5 LEFT FRONT INNER FENDER
 CF6 LEFT FRONT CORNER

CP1 RIGHT FRONT DOOR POST
 CP2 INSIDE RIGHT FRONT DOOR
 CP3 INSIDE RIGHT REAR DOOR
 CP4 RIGHT REAR DOOR POST (UNDER SEAT)
 CP5 LEFT REAR DOOR POST (UNDER SEAT)
 CP6 INSIDE LEFT REAR DOOR
 CP7 INSIDE LEFT FRONT DOOR
 CP8 LEFT FRONT DOOR POST
 CP9 CENTER CONSOLE

CR1 RIGHT REAR INNER FENDER (IN TRUNK)
 CR2 RIGHT REAR CORNER
 CR3 LEFT REAR CORNER
 CR4 LEFT REAR INNER FENDER (IN TRUNK)



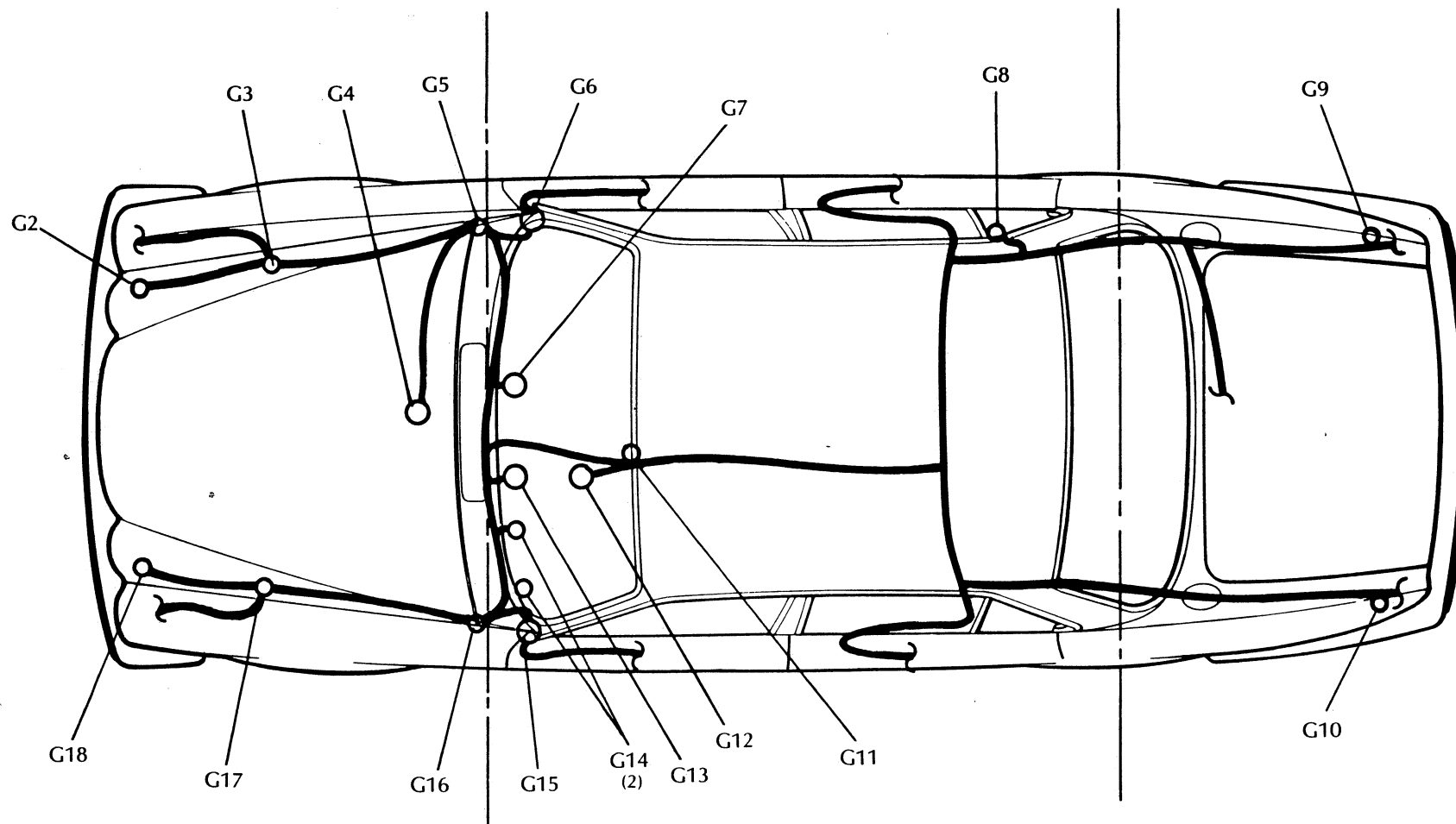
- G2 RIGHT FRONT CORNER (FRONT RADIATOR)
- G3 RIGHT FRONT INNER FENDER
- G4 CENTER FRONT BULKHEAD
- G5 RIGHT BULKHEAD CONNECTOR (BELOW)
- G6 RIGHT FRONT DOOR POST
- G7 CENTER SUPPORT RIGHT SIDE (BEHIND INST. PAN.)
- G8 RIGHT REAR WINDOW (UNDER HEADLINER)
- G9 RIGHT REAR INNER FENDER (IN TRUNK)

- G10 LEFT REAR INNER FENDER (IN TRUNK)
- G11 GEAR SELECTOR LEFT SIDE
- G12 LEFT TRANSMISSION TUNNEL (UNDER CTR. CONSOLE)
- G13 CENTER SUPPORT LEFT SIDE (BEHIND INST. PAN.)
- G14 INSTRUMENT PANEL (BEHIND TACH./SPEEDO.)
- G15 LEFT FRONT DOOR POST
- G16 LEFT BULKHEAD CONNECTOR (BELOW)
- G17 LEFT FRONT INNER FENDER
- G18 LEFT FRONT CORNER (FRONT RADIATOR)

FIG. 1.2

CHASSIS GROUND POINTS (XJ6 III 4.2)





- G2 RIGHT FRONT CORNER (FRONT RADIATOR)
- G3 RIGHT FRONT INNER FENDER
- G4 CENTER FRONT BULKHEAD
- G5 RIGHT BULKHEAD CONNECTOR (BELOW)
- G6 RIGHT FRONT DOOR POST
- G7 CENTER SUPPORT RIGHT SIDE (BEHIND INST. PAN.)
- G8 RIGHT REAR WINDOW (UNDER HEADLINER)
- G9 RIGHT REAR INNER FENDER (IN TRUNK)

- G10 LEFT REAR INNER FENDER (IN TRUNK)
- G11 GEAR SELECTOR LEFT SIDE
- G12 LEFT TRANSMISSION TUNNEL (UNDER CTR. CONSOLE)
- G13 CENTER SUPPORT LEFT SIDE (BEHIND INST. PAN.)
- G14 INSTRUMENT PANEL (BEHIND TACH./SPEEDO.)
- G15 LEFT FRONT DOOR POST
- G16 LEFT BULKHEAD CONNECTOR (BELOW)
- G17 LEFT FRONT INNER FENDER
- G18 LEFT FRONT CORNER (FRONT RADIATOR)

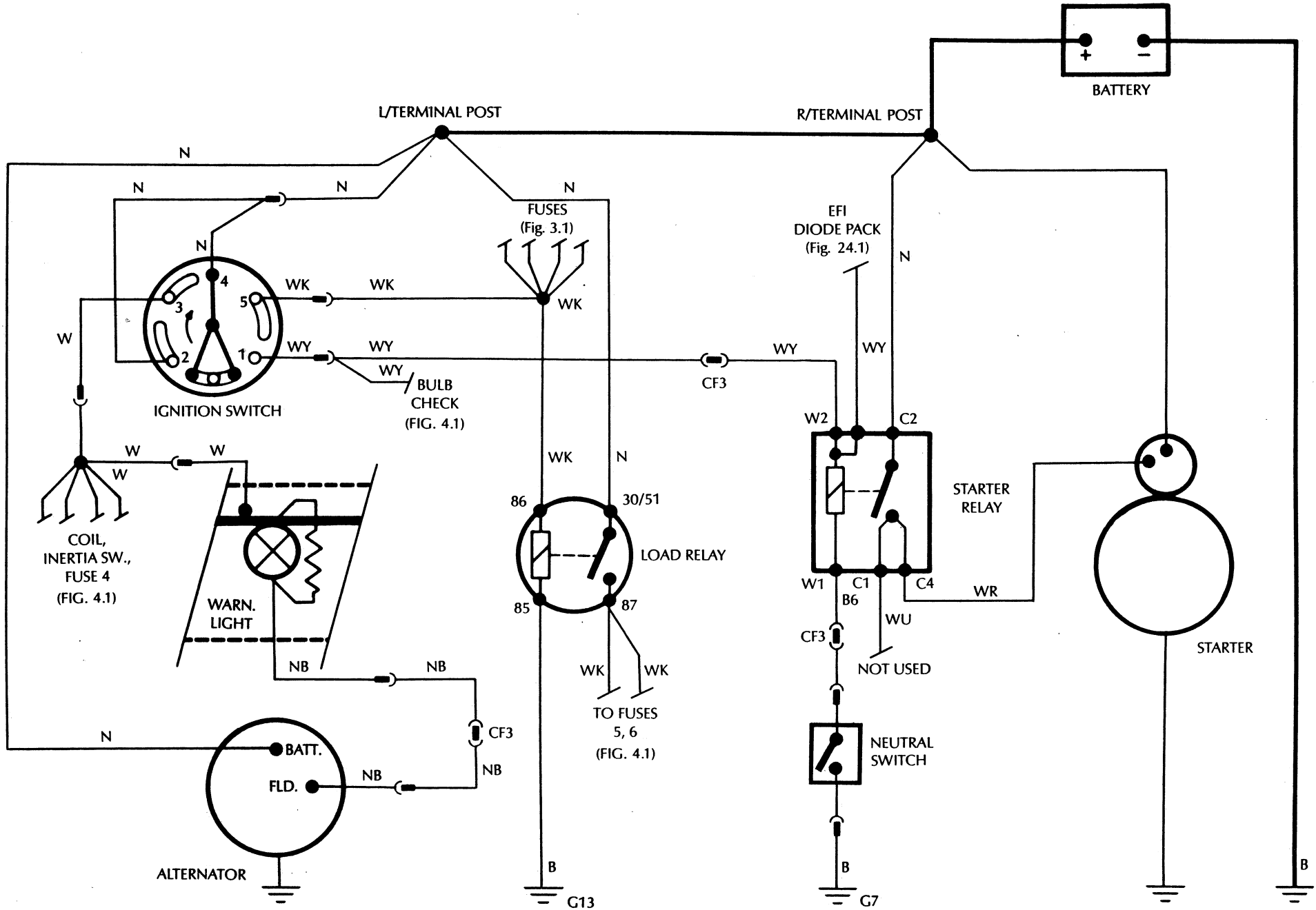
FIG. 1.2

CHASSIS GROUND POINTS (XJ6 III 4.2)



FIG. 2.1

BATTERY / STARTER / ALTERNATOR (XJ6 III 4.2)



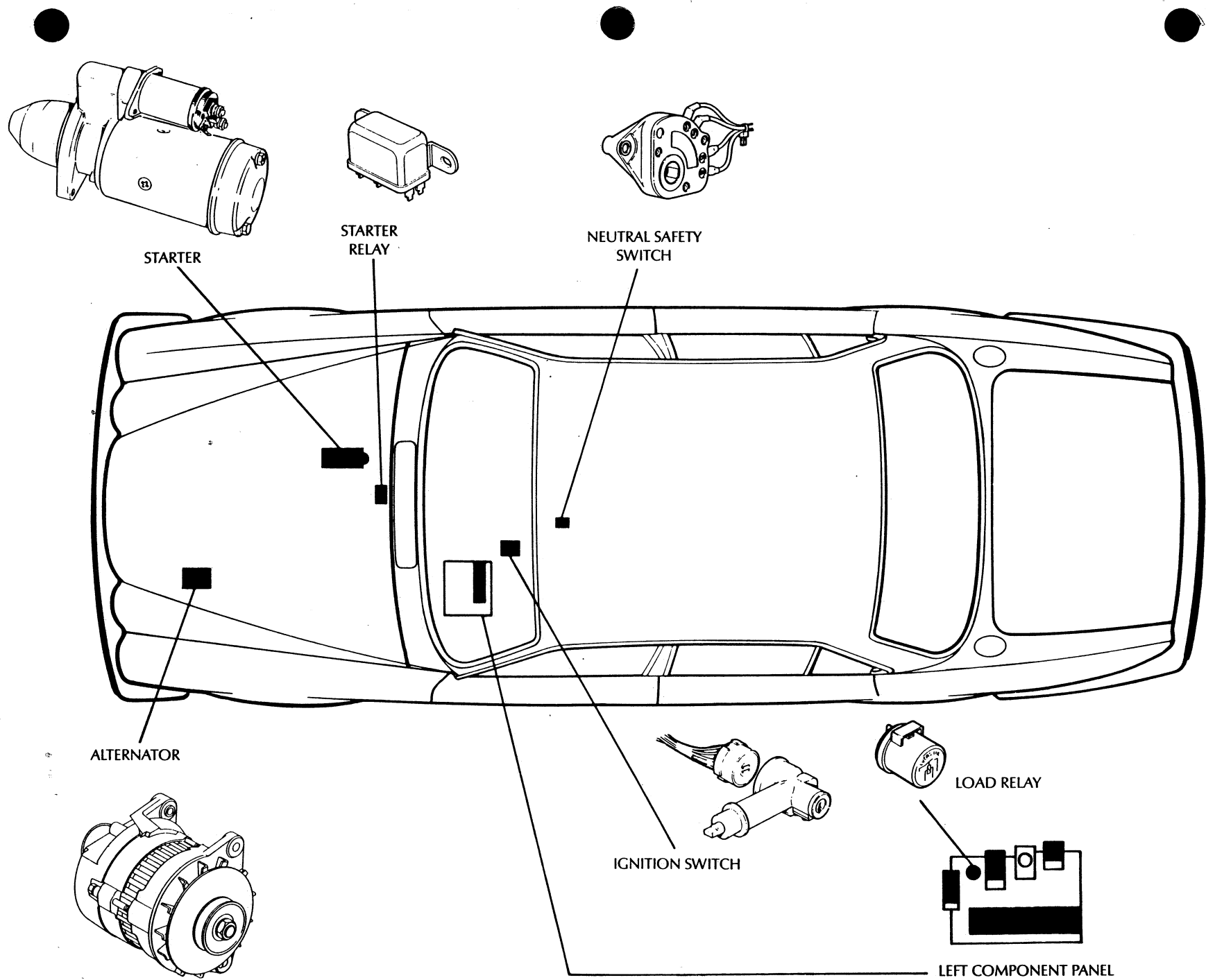


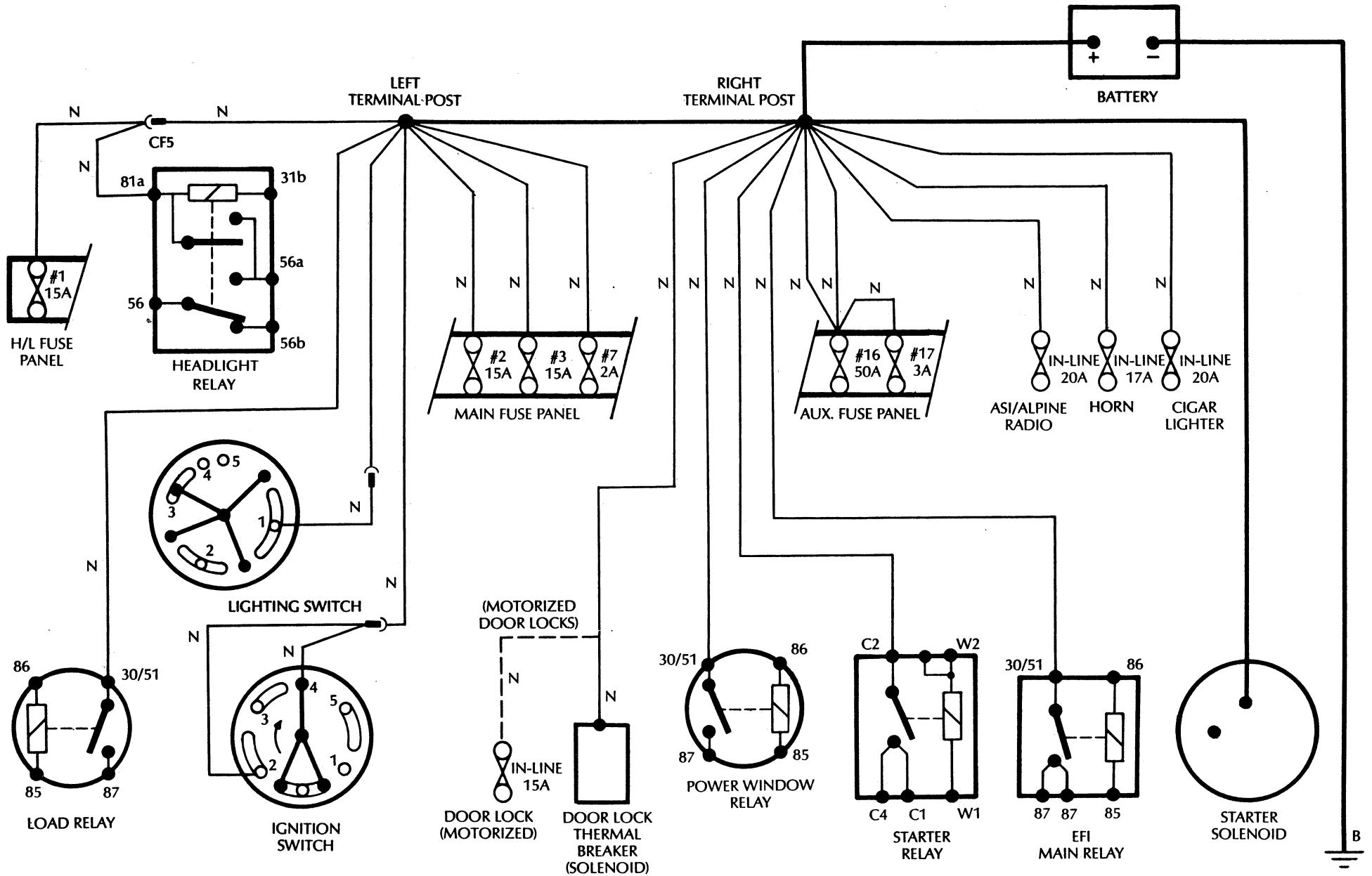
FIG. 2.2

BATTERY / STARTER / ALTERNATOR (XJ6 III 4.2)



FIG. 3.1

POWER DISTRIBUTION — DIRECT BATTERY FEEDS (XJ6 III 4.2)



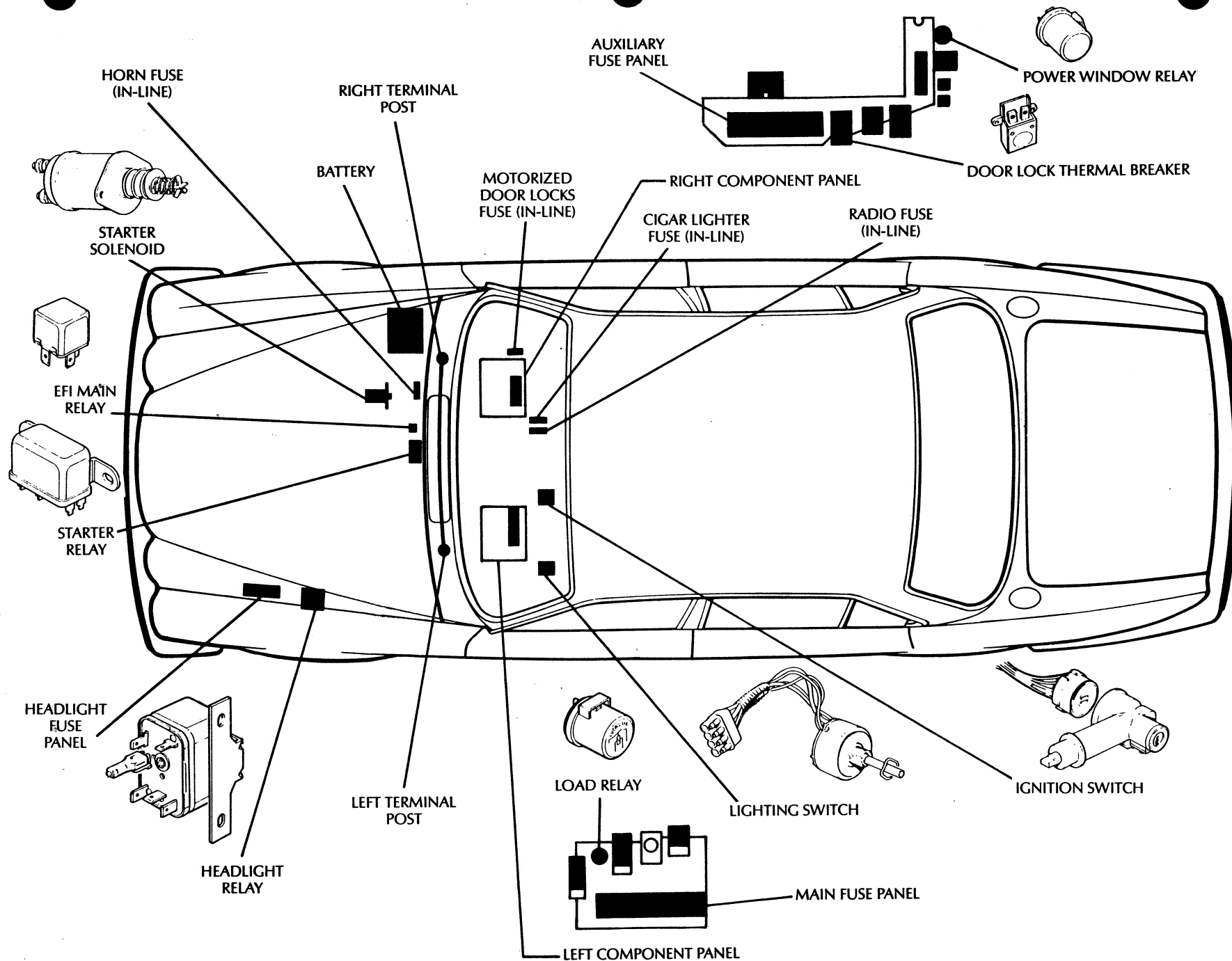


FIG. 3.2

POWER DISTRIBUTION — DIRECT BATTERY FEEDS (XJ6 III 4.2)



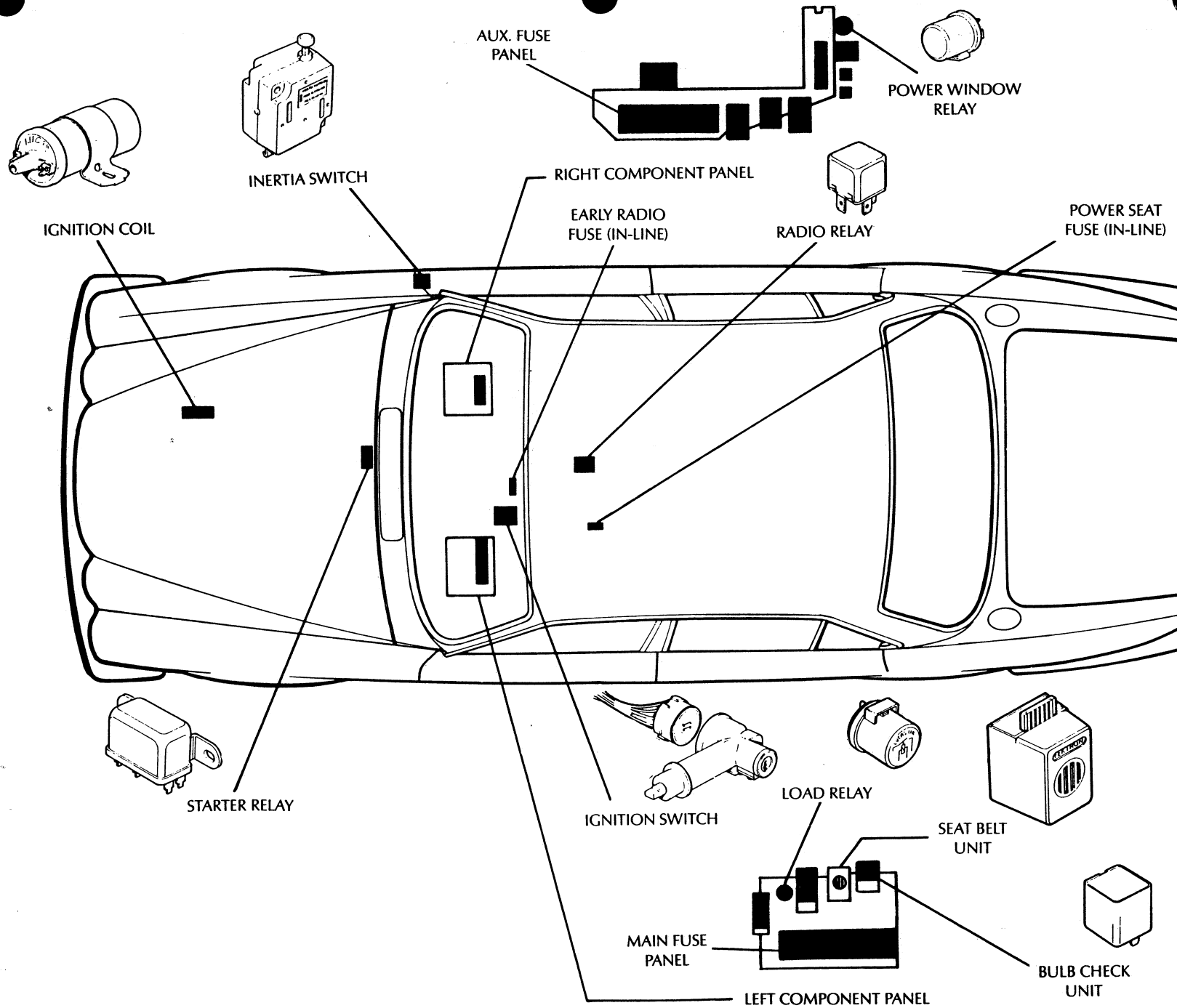


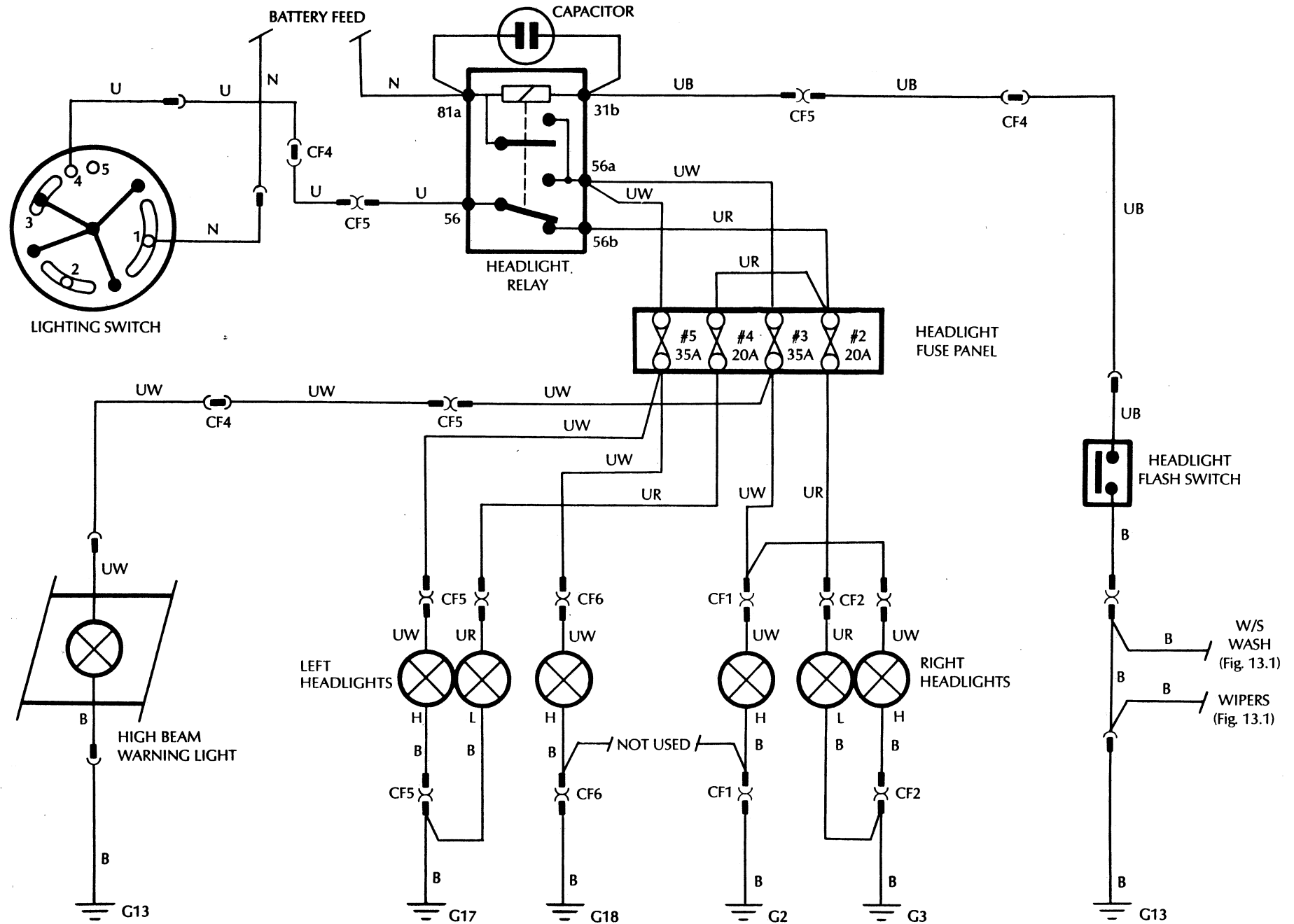
FIG. 4.2

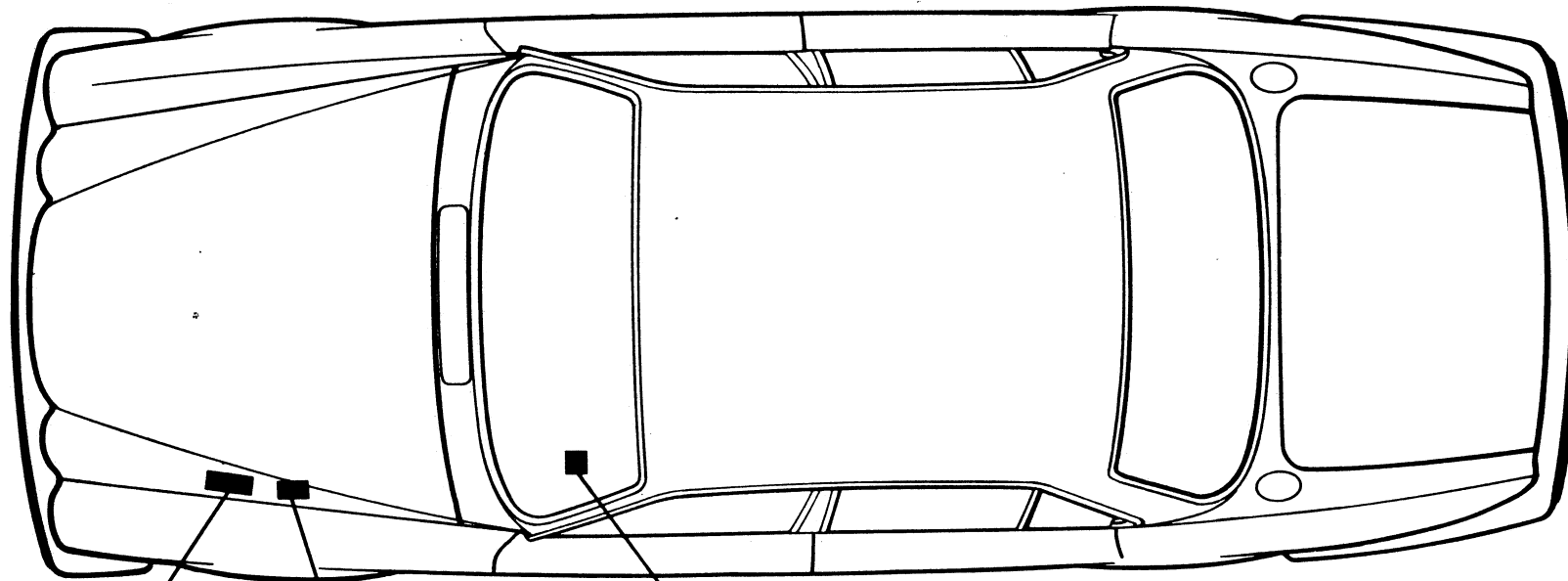
POWER DISTRIBUTION — IGNITION FEEDS (XJ6 III 4.2)



FIG. 5.1

HEADLIGHTS (XJ6 III 4.2)





HEADLIGHT
FUSE PANEL

HEADLIGHT RELAY

LIGHTING SWITCH

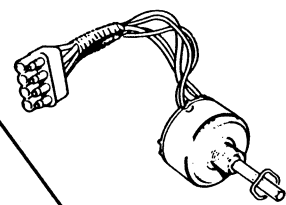
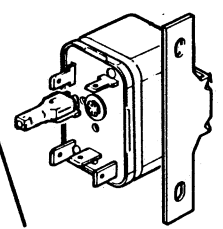


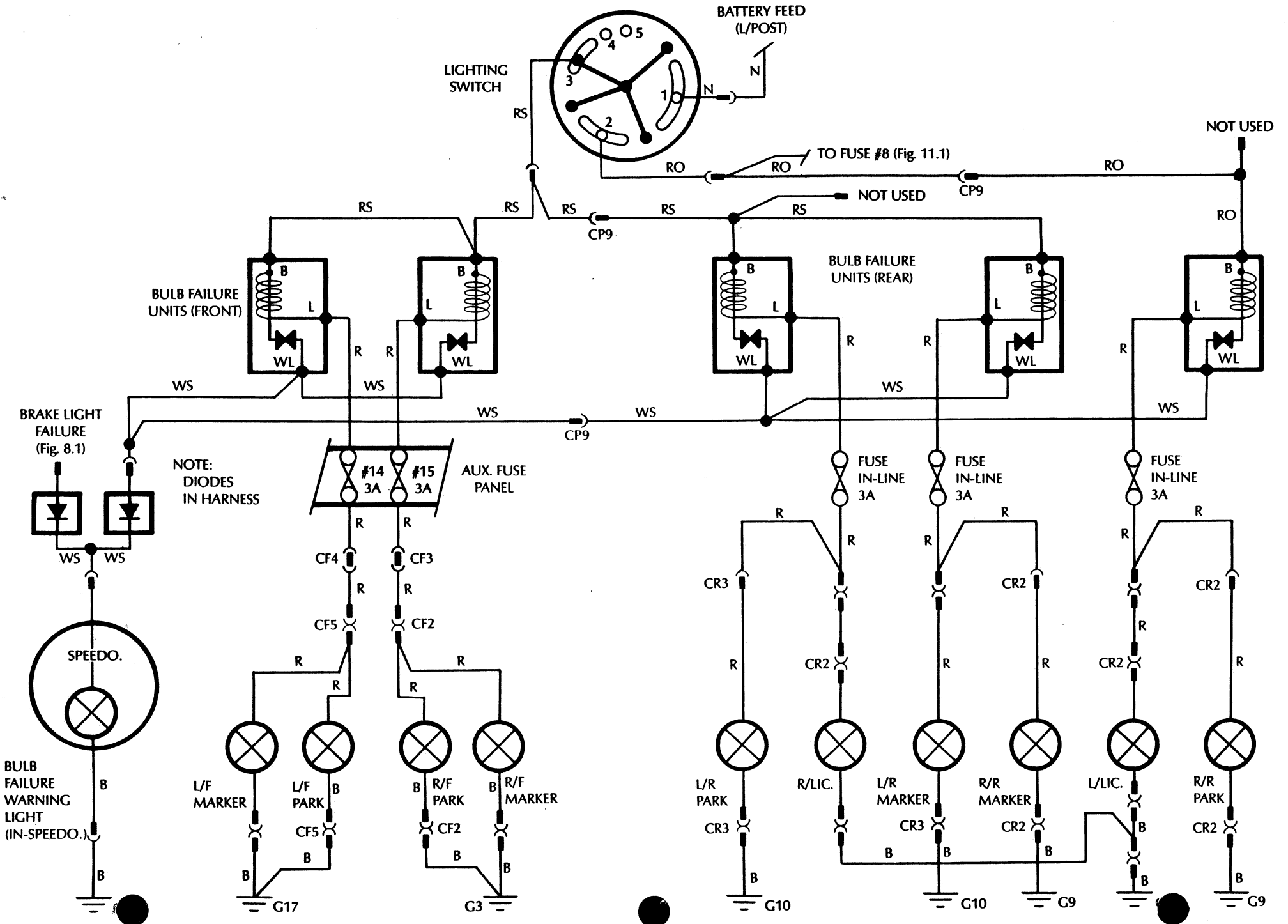
FIG. 5.2

HEADLIGHTS (XJ6 III 4.2)



FIG. 6.1

PARKING / MARKER LIGHTS (XJ6 III 4.2)



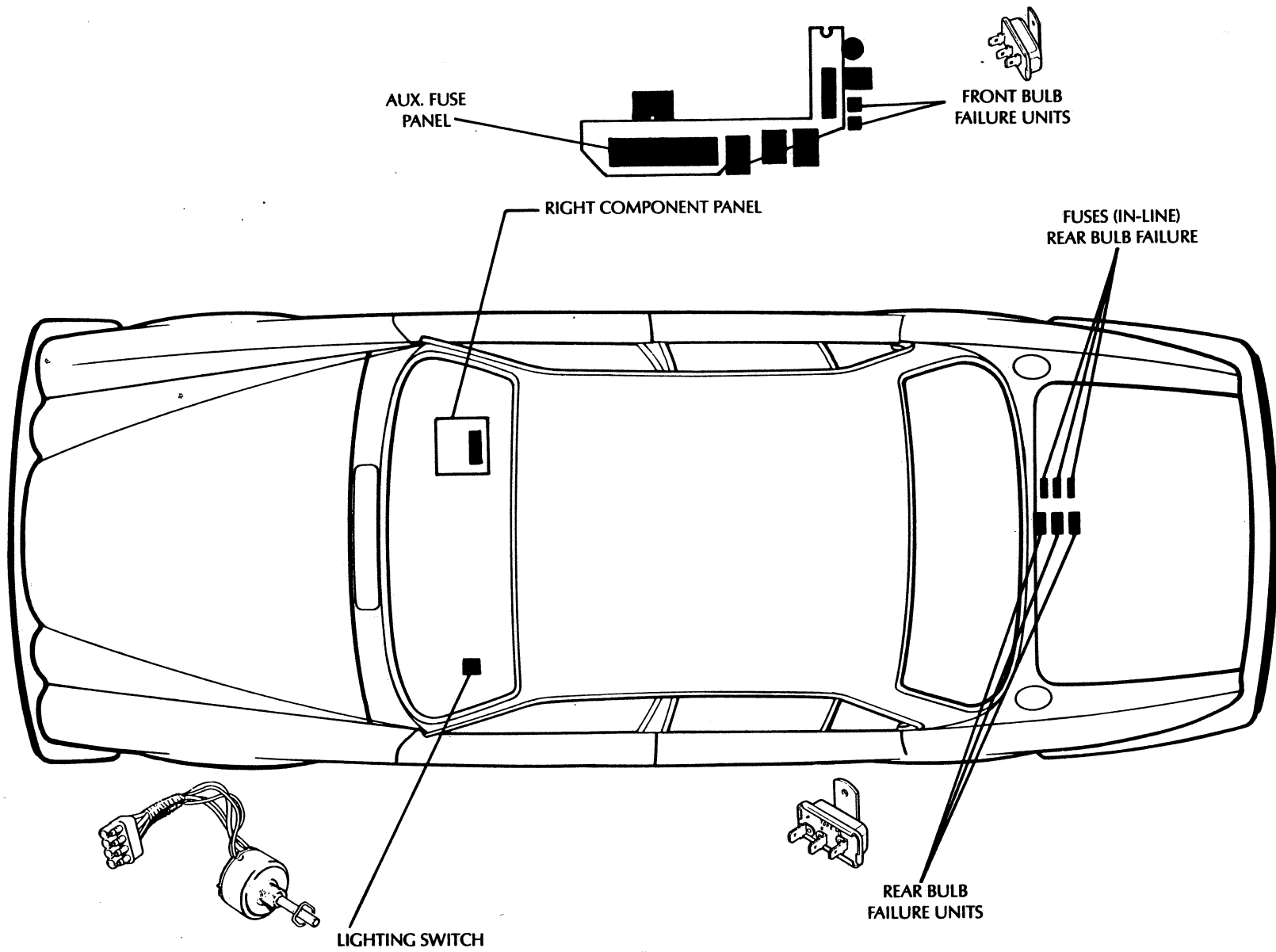


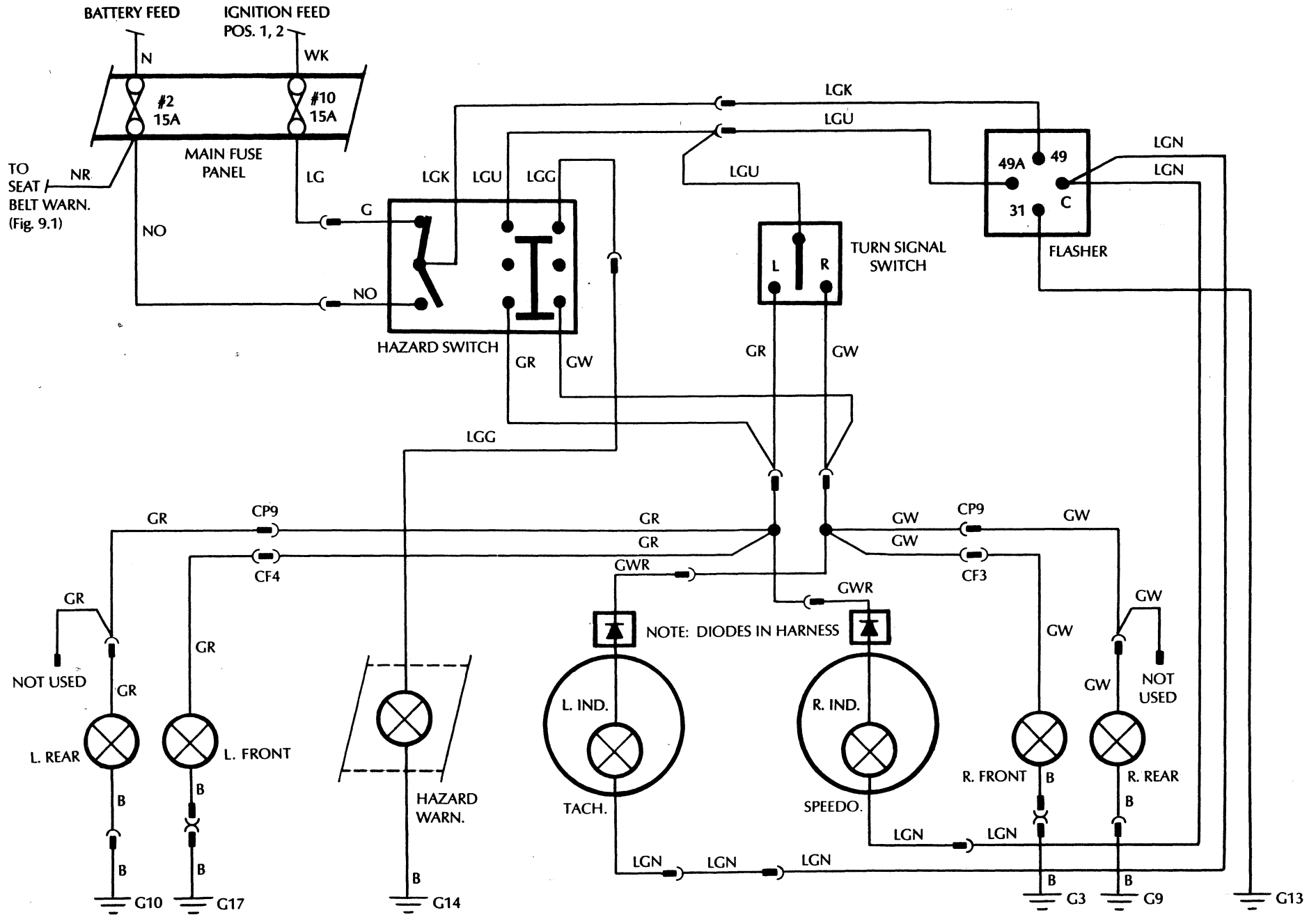
FIG. 6.2

PARKING / MARKER LIGHTS (XJ6 III 4.2)



FIG. 7.1

HAZARD / TURN SIGNALS (XJ6 III 4.2)



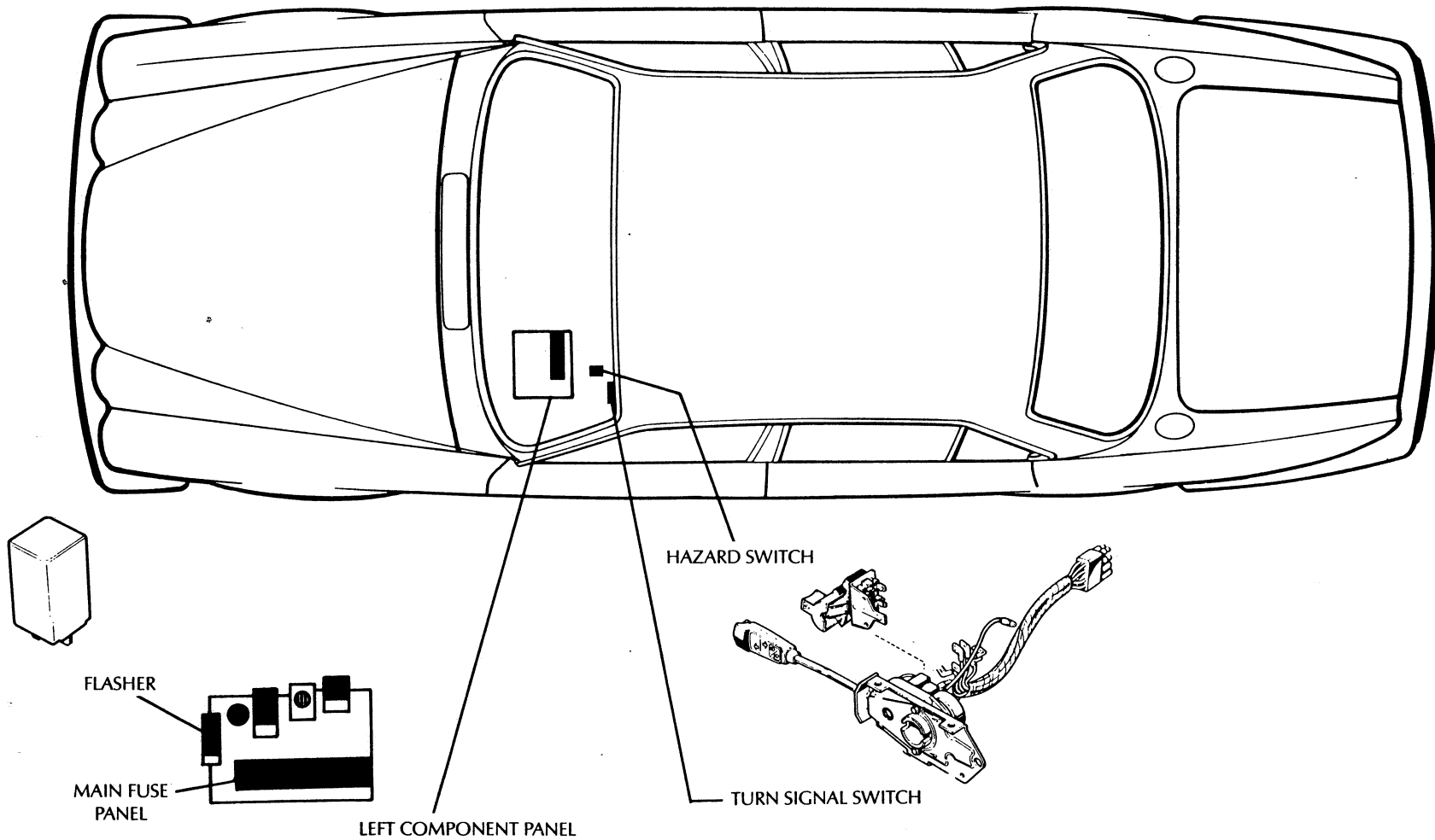


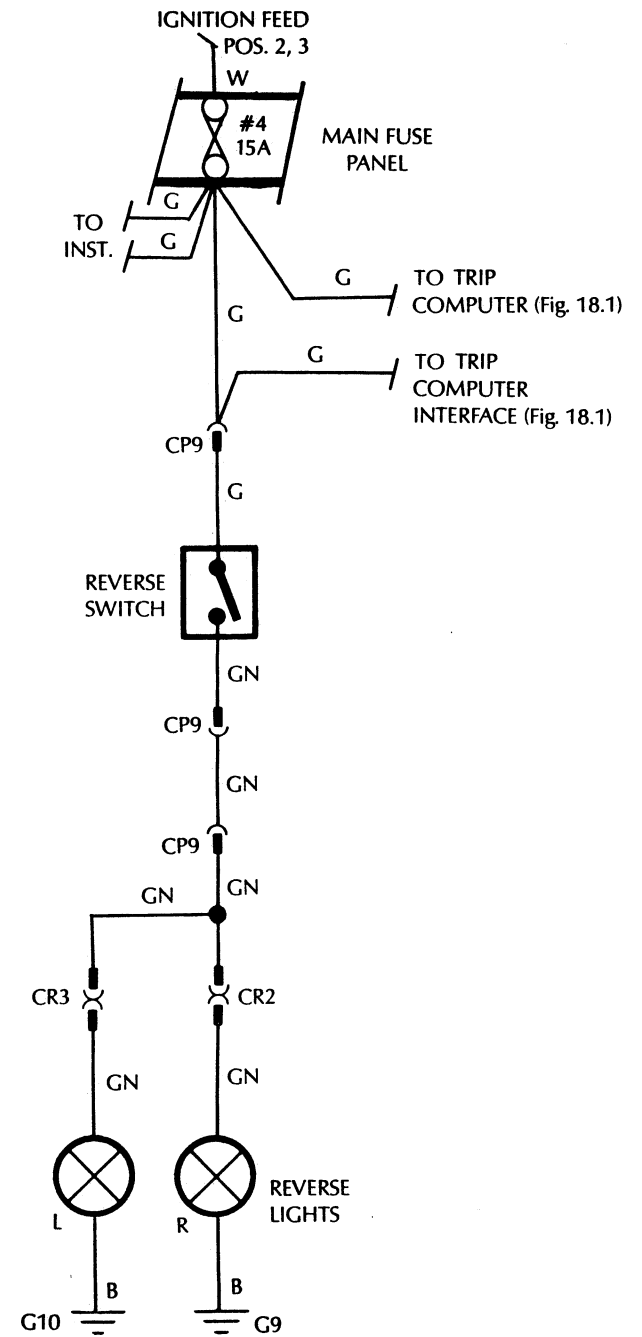
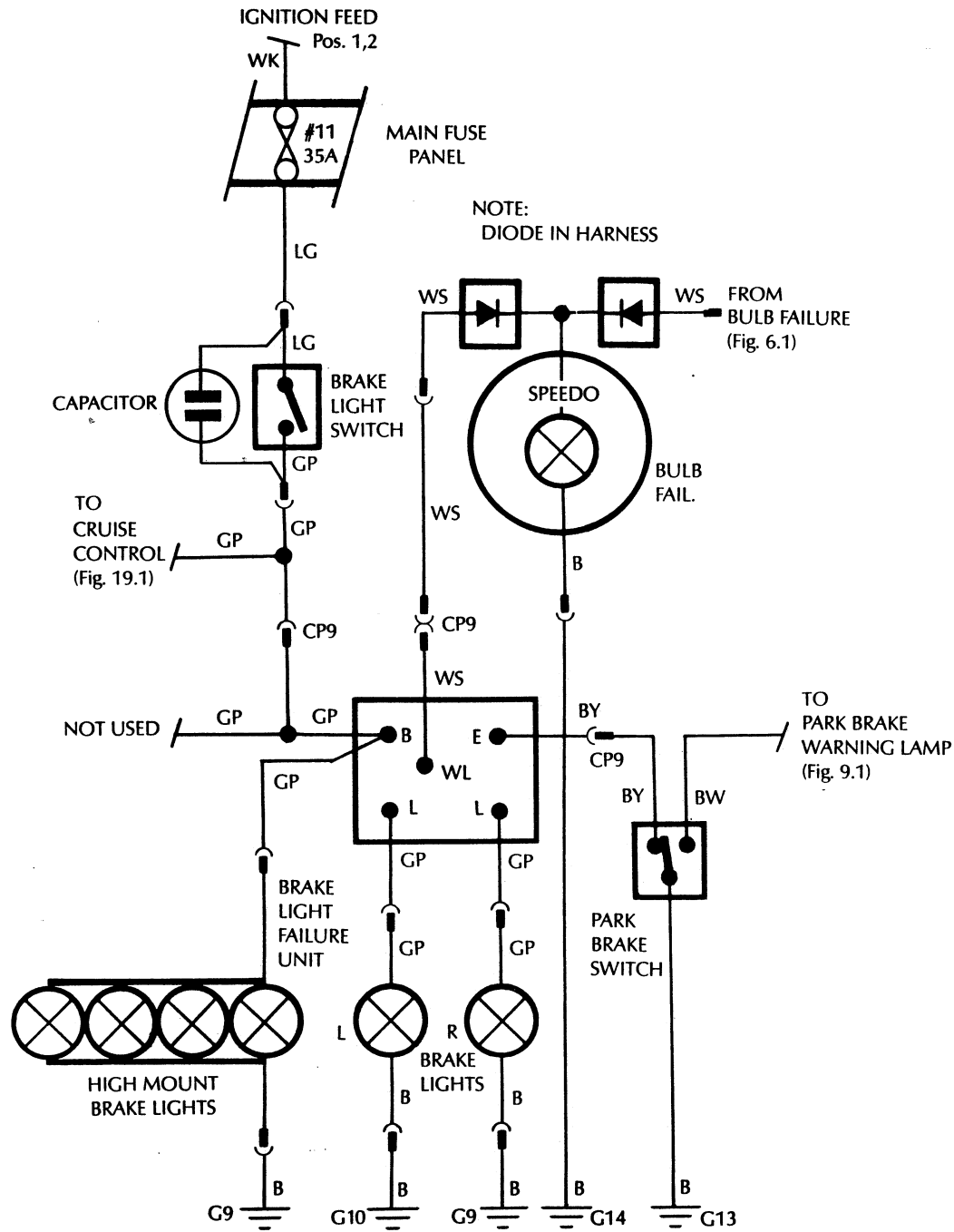
FIG. 7.2

HAZARD / TURN SIGNALS (XJ6 III 4.2)



FIG. 8.1

BRAKE LIGHTS / REVERSE LIGHTS (XJ6 III 4.2)



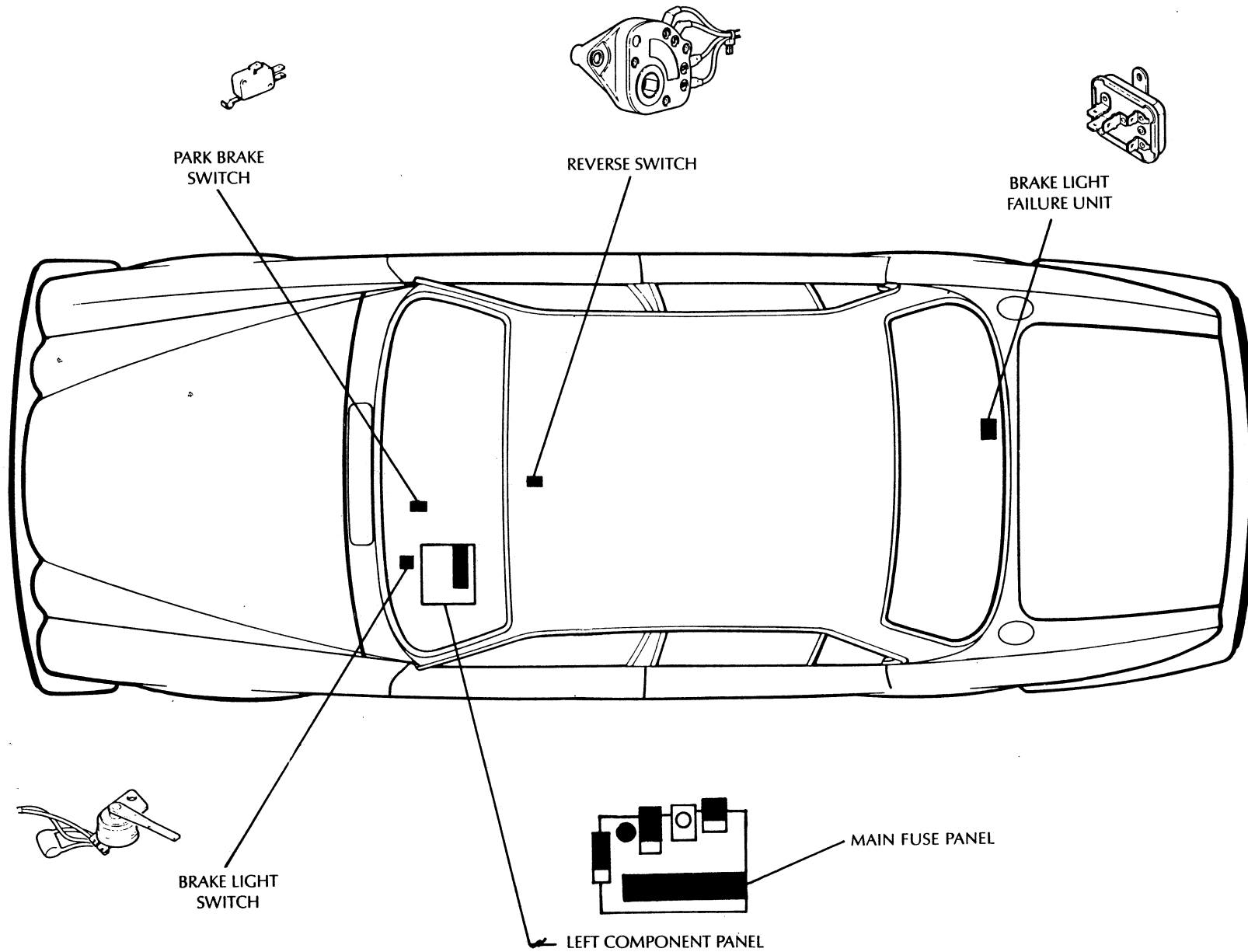


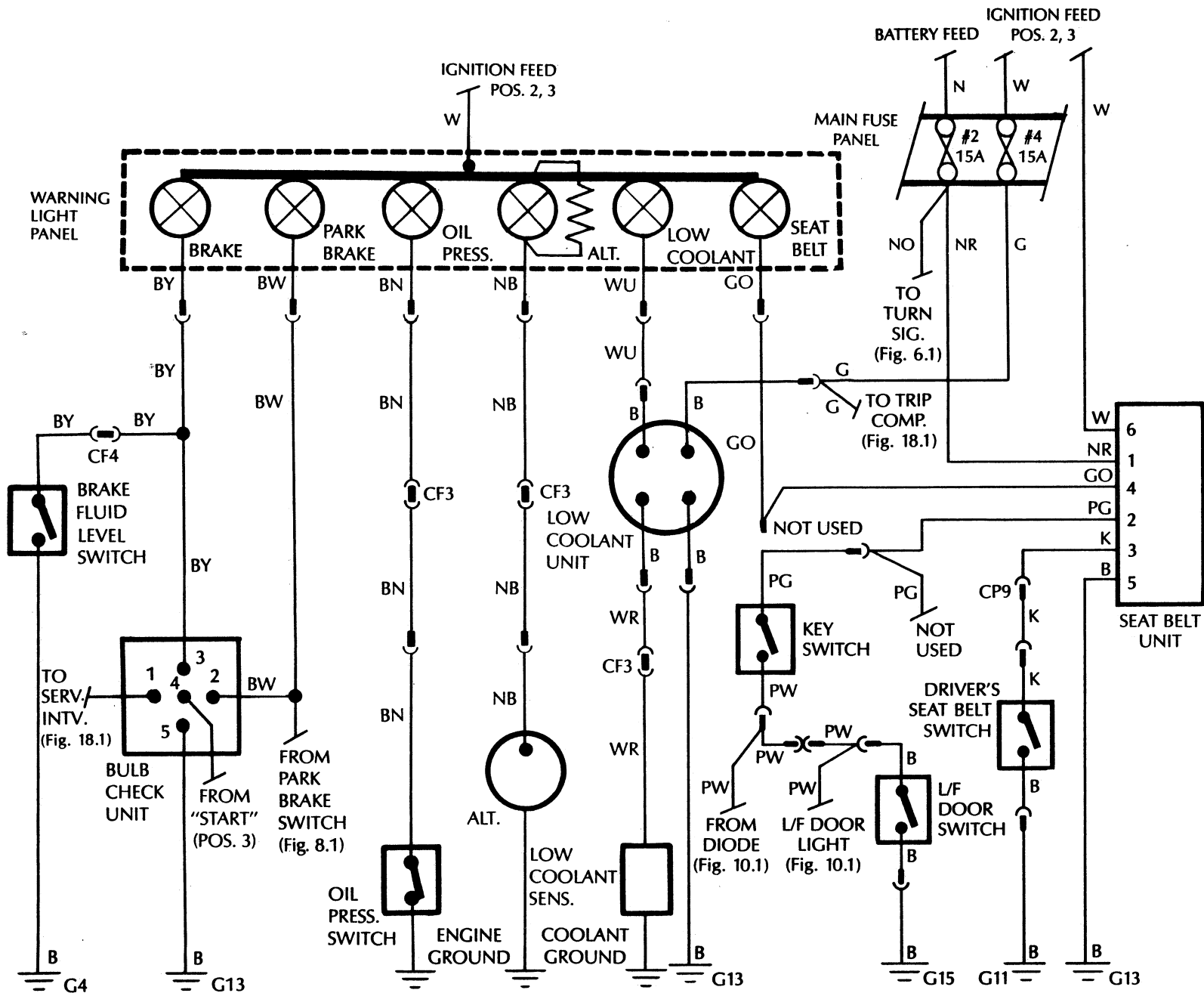
FIG. 8.2

BRAKE LIGHTS / REVERSE LIGHTS (XJ6 III 4.2)



FIG. 9.1

WARNING LIGHTS (XJ6 III 4.2)



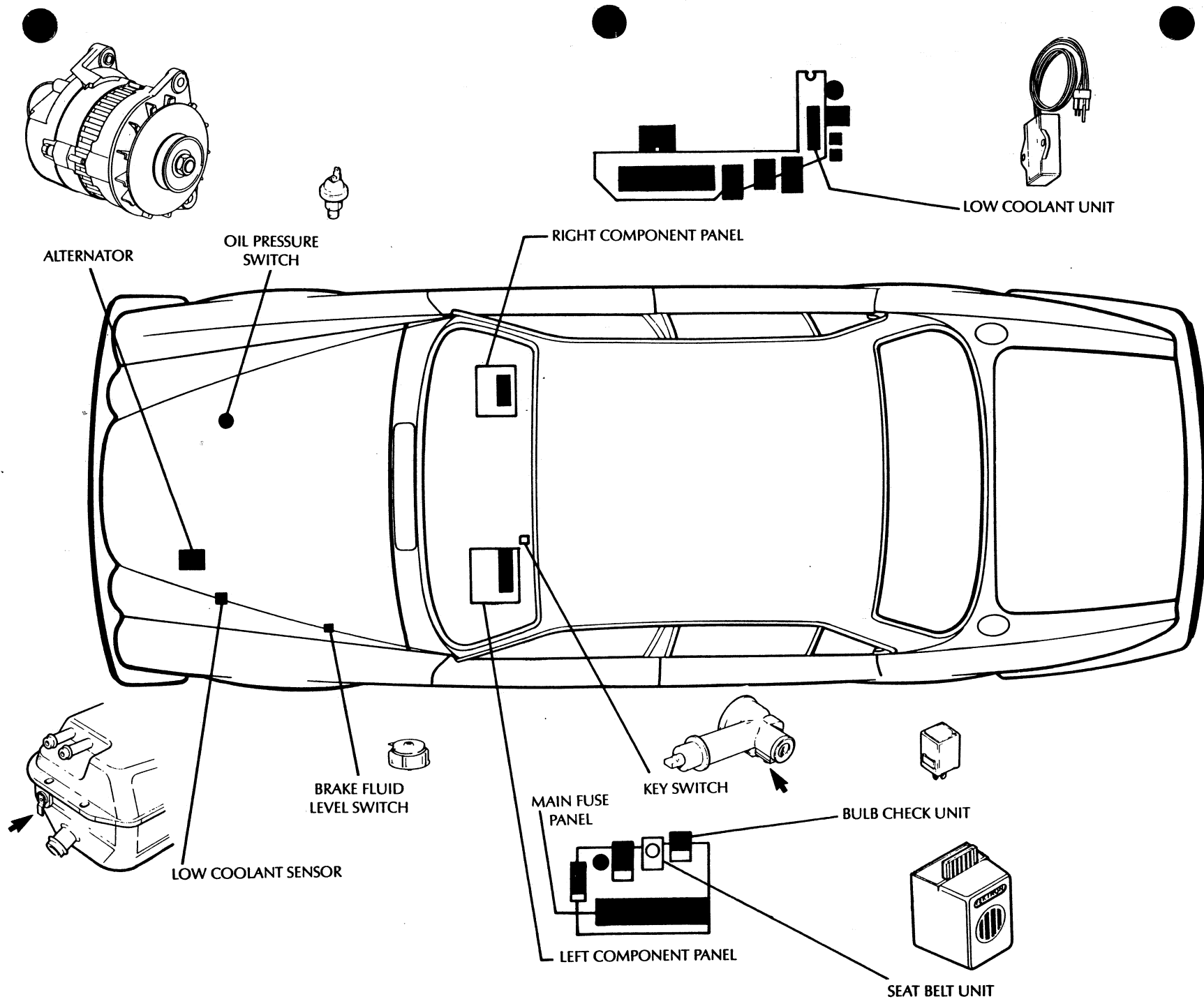


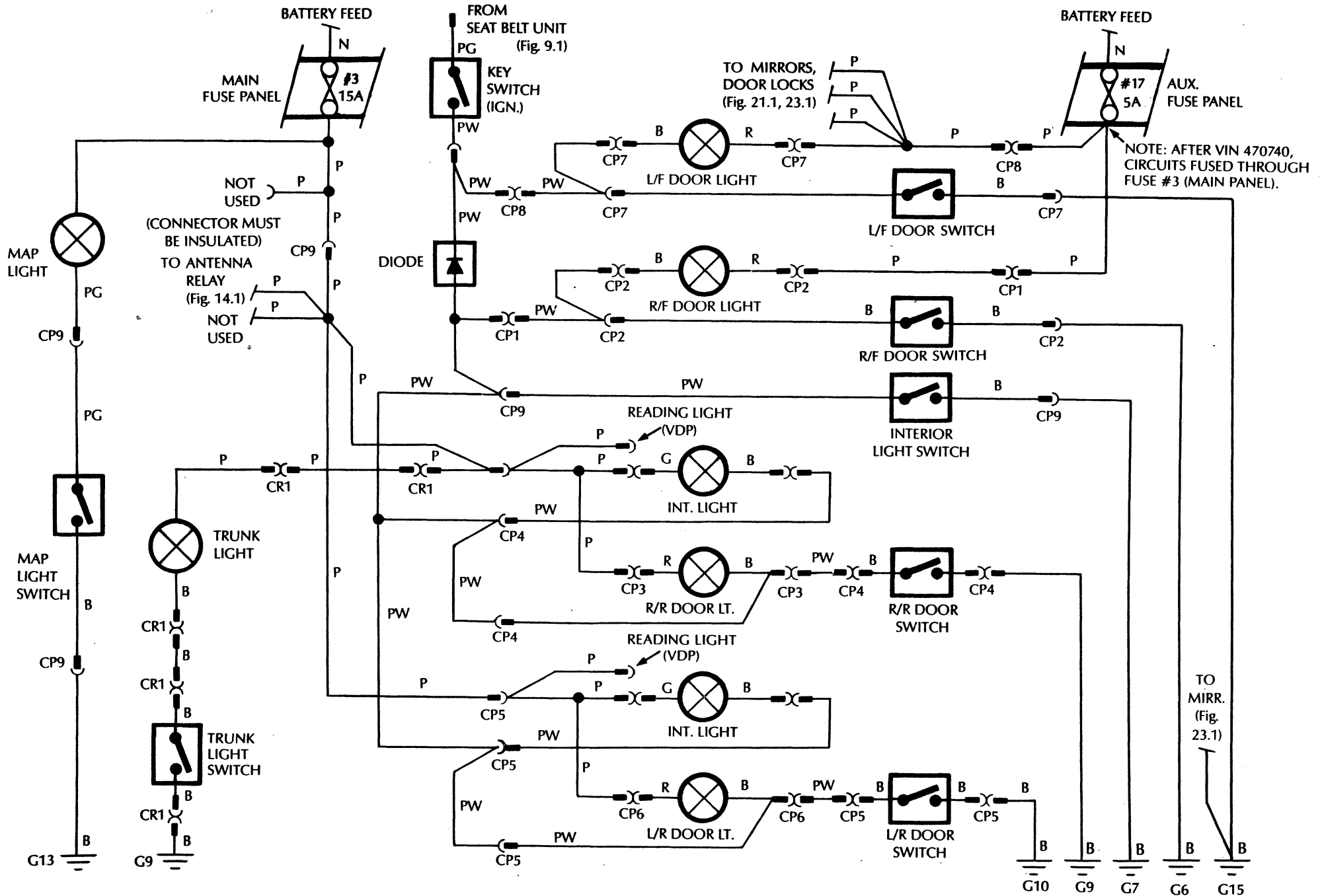
FIG. 9.2

WARNING LIGHTS (XJ6 III 4.2)



FIG. 10.1

INTERIOR LIGHTING (XJ6 III 4.2)



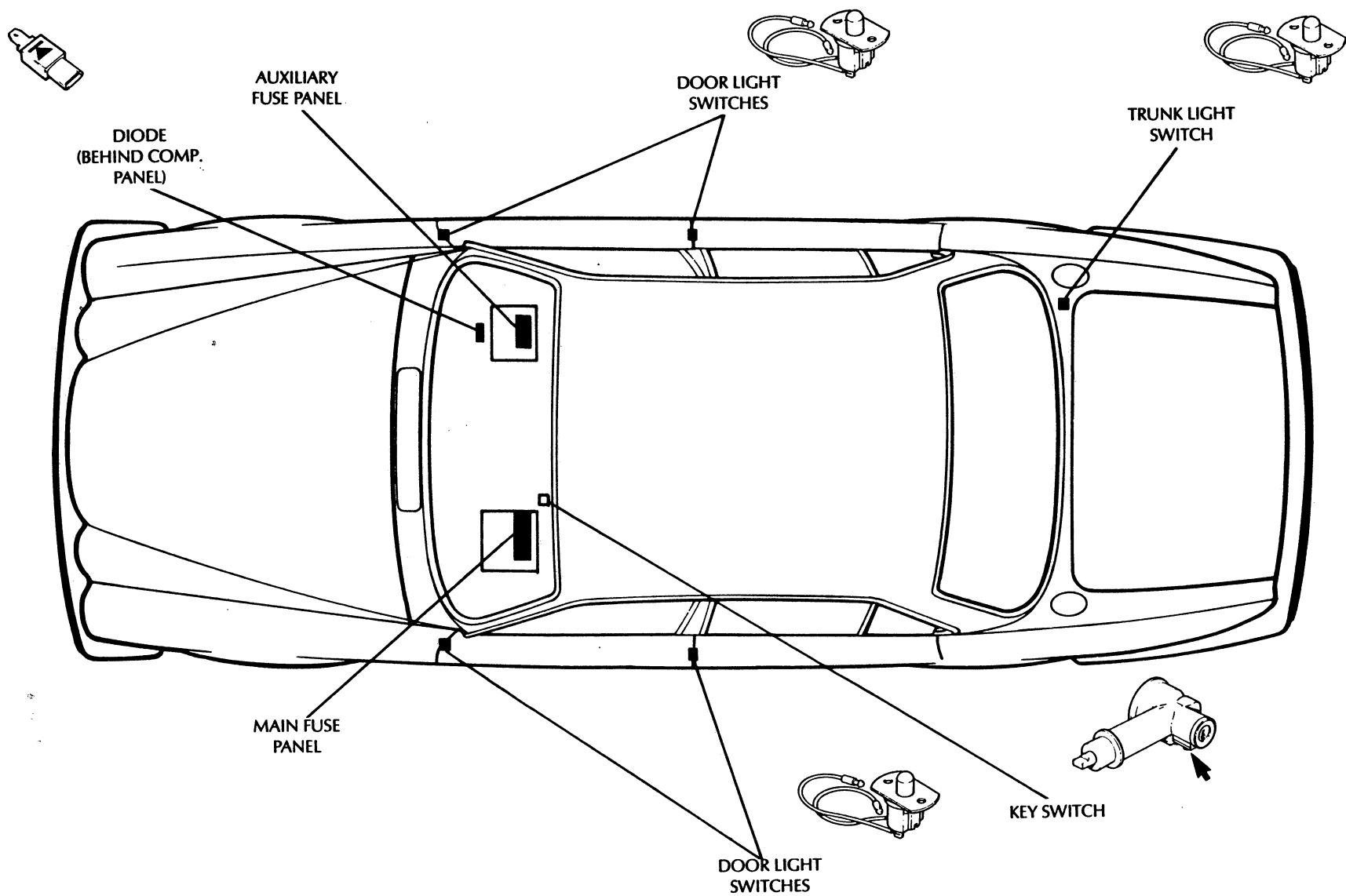


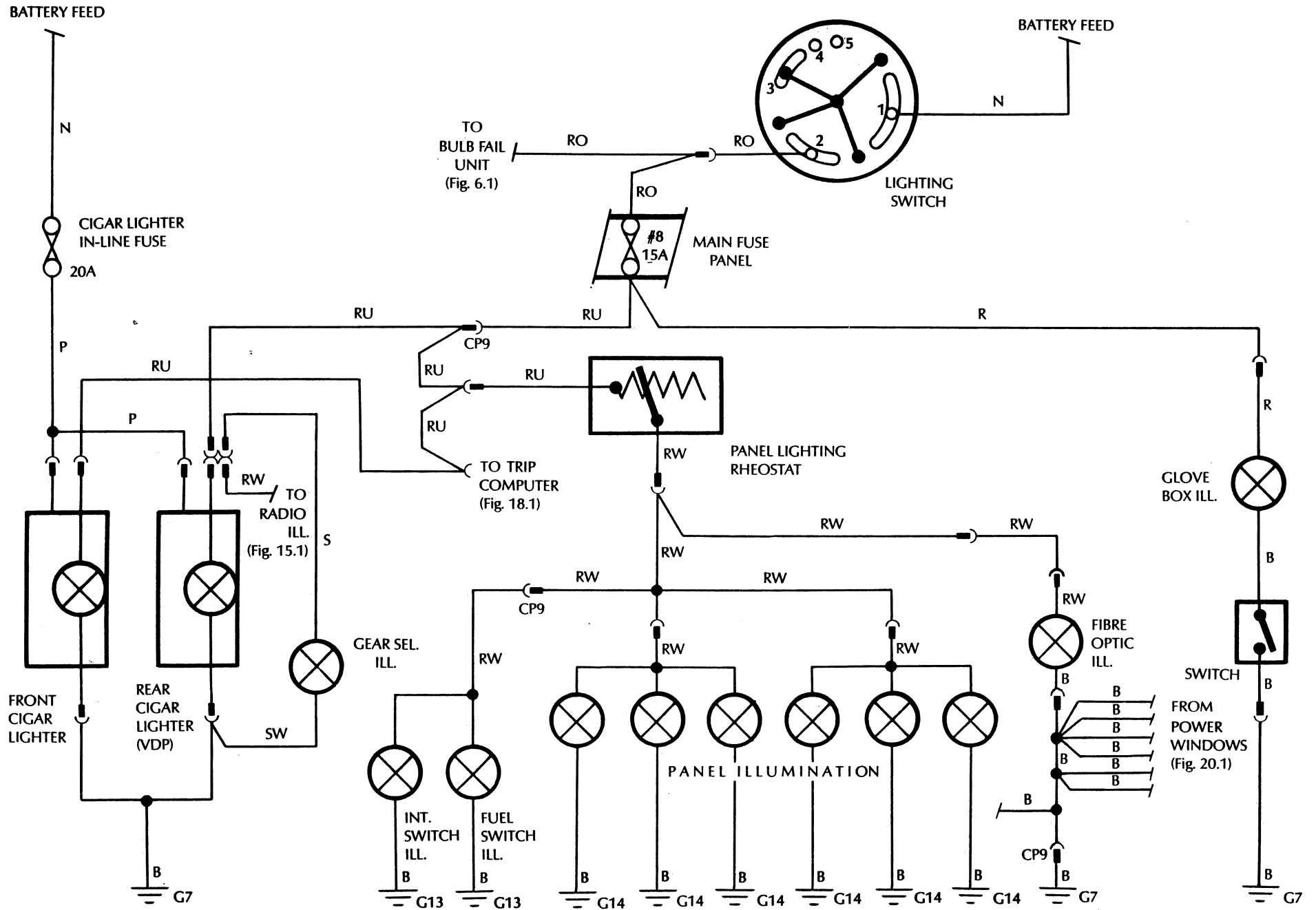
FIG. 10.2

INTERIOR LIGHTING (XJ6 III 4.2)



FIG. 11.1

PANEL LIGHTING / CIGAR LIGHTER(S) (XJ6 III 4.2)



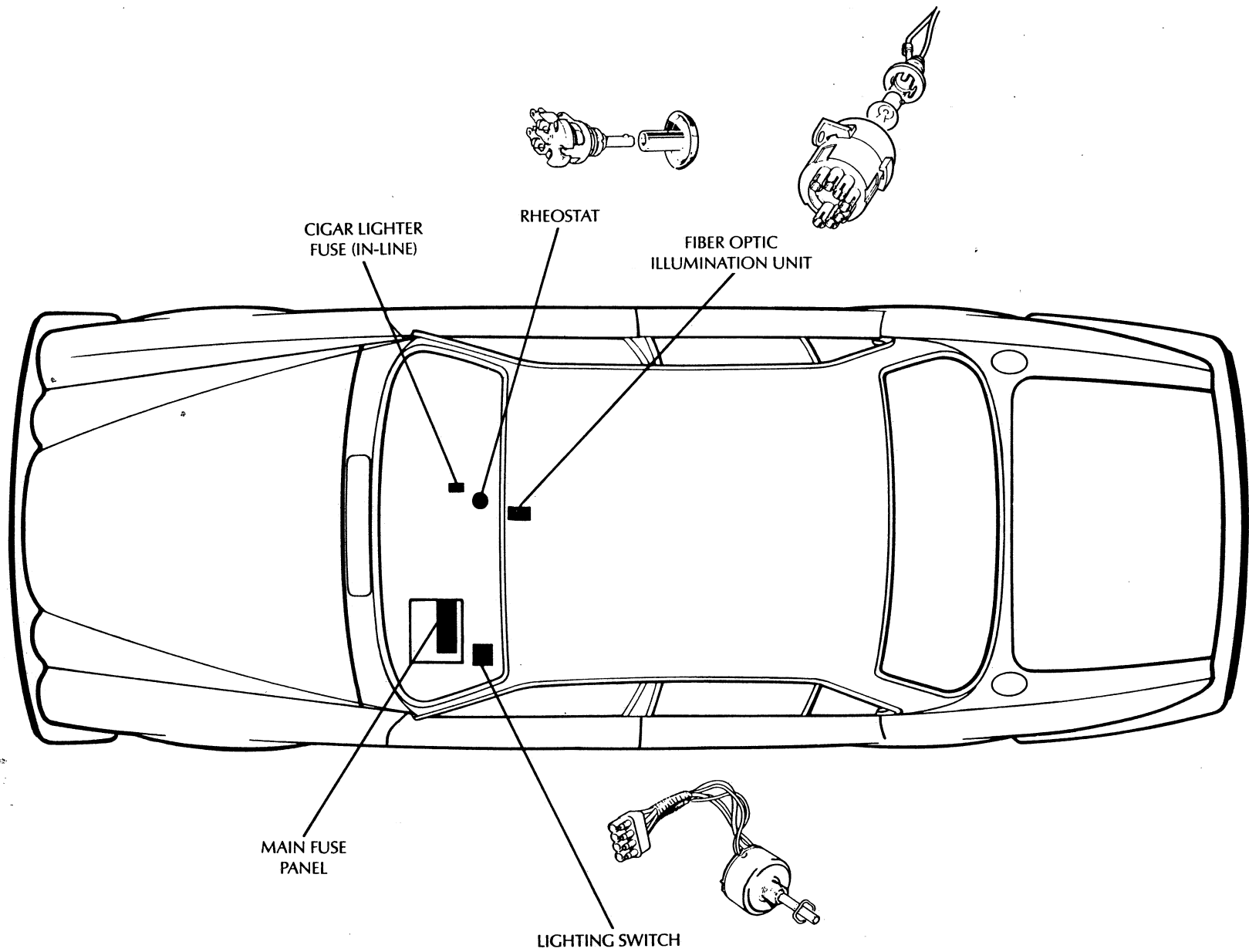


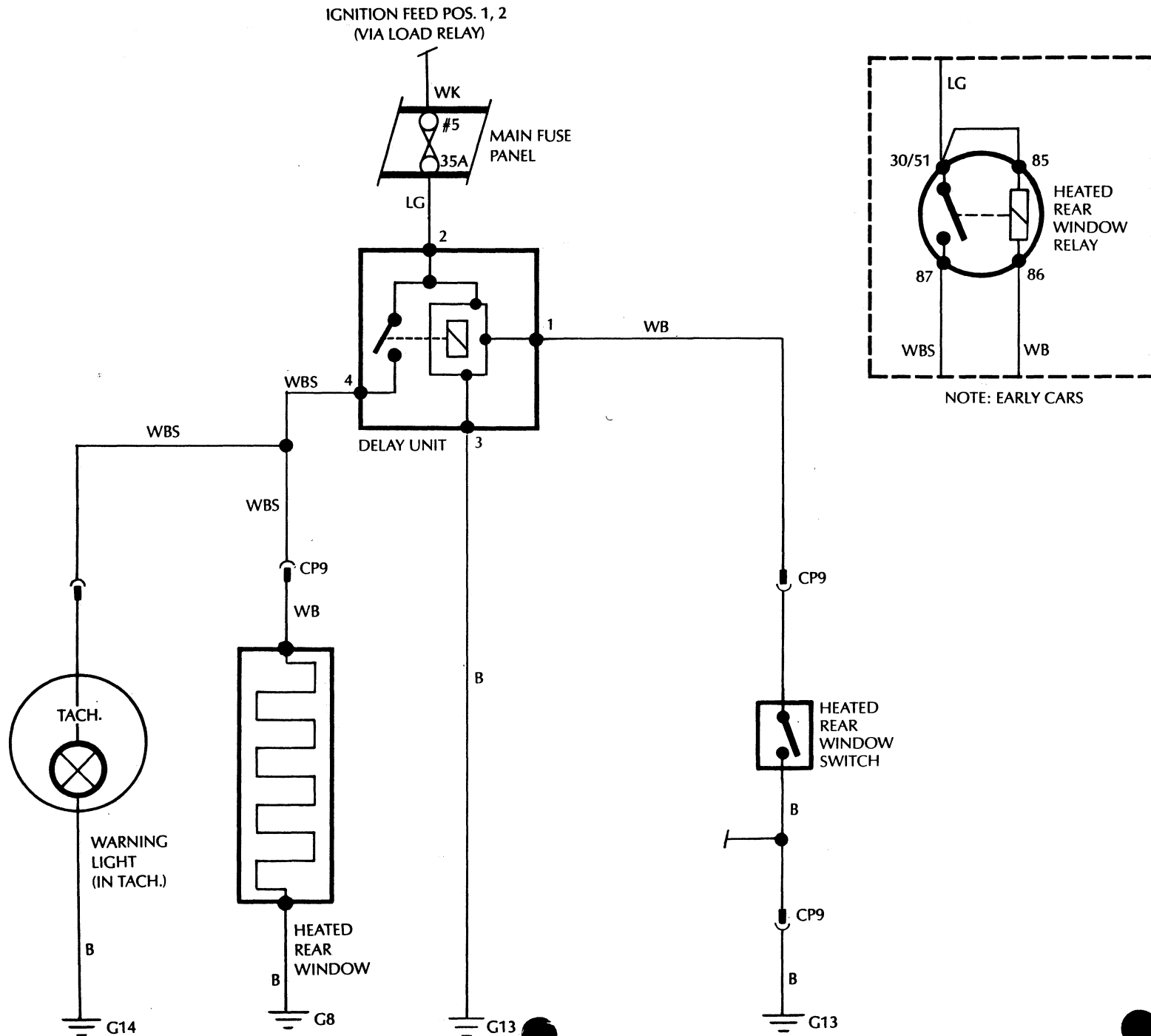
FIG. 11.2

PANEL LIGHTING / CIGAR LIGHTER(S) (XJ6 III 4.2)



FIG. 12.1

HEATED REAR WINDOW (XJ6 III 4.2)



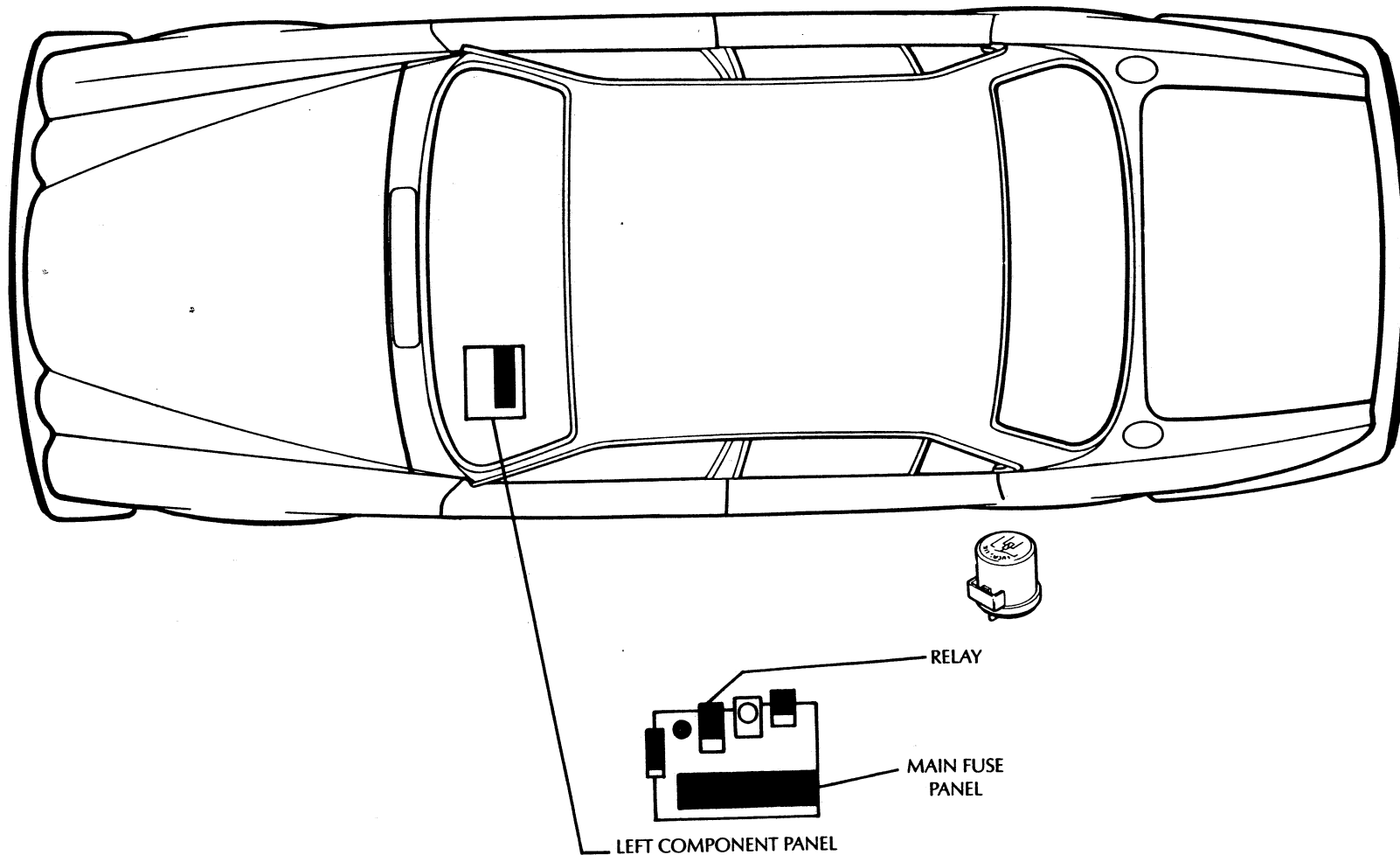


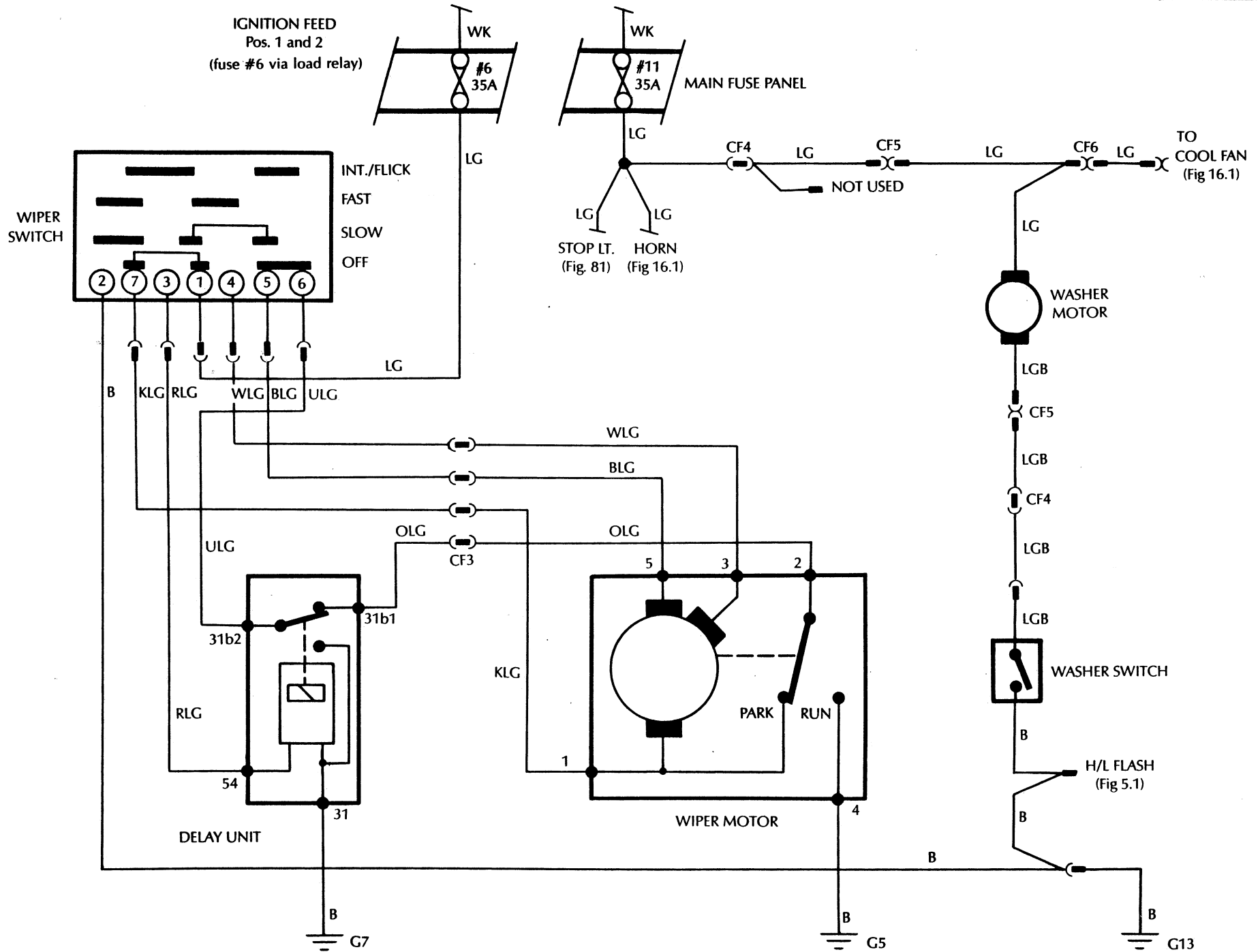
FIG. 12.2

HEATED REAR WINDOW (XJ6 III 4.2)



FIG. 13.1

WINDSHIELD WIPERS / WASHER (XJ6 III 4.2)



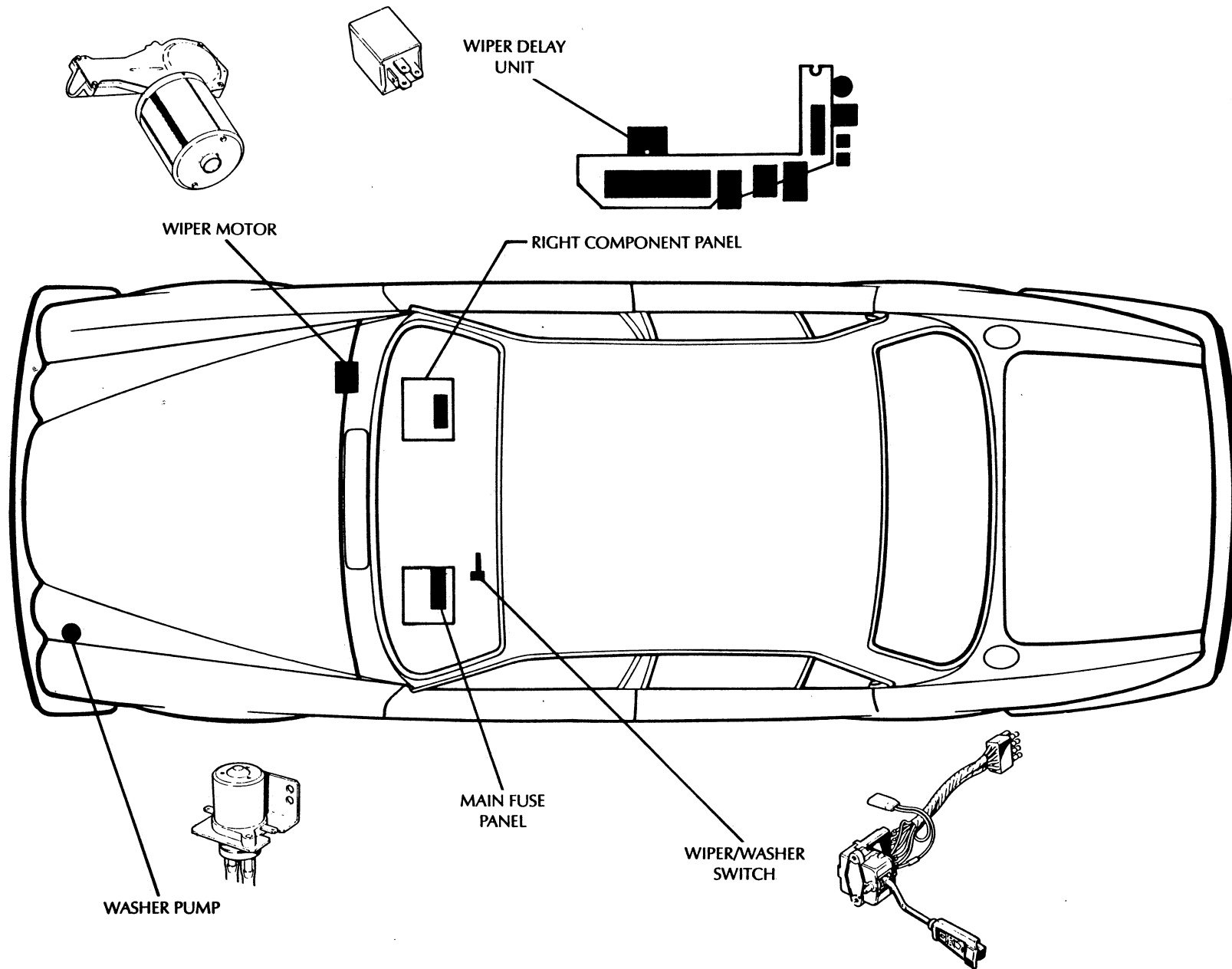


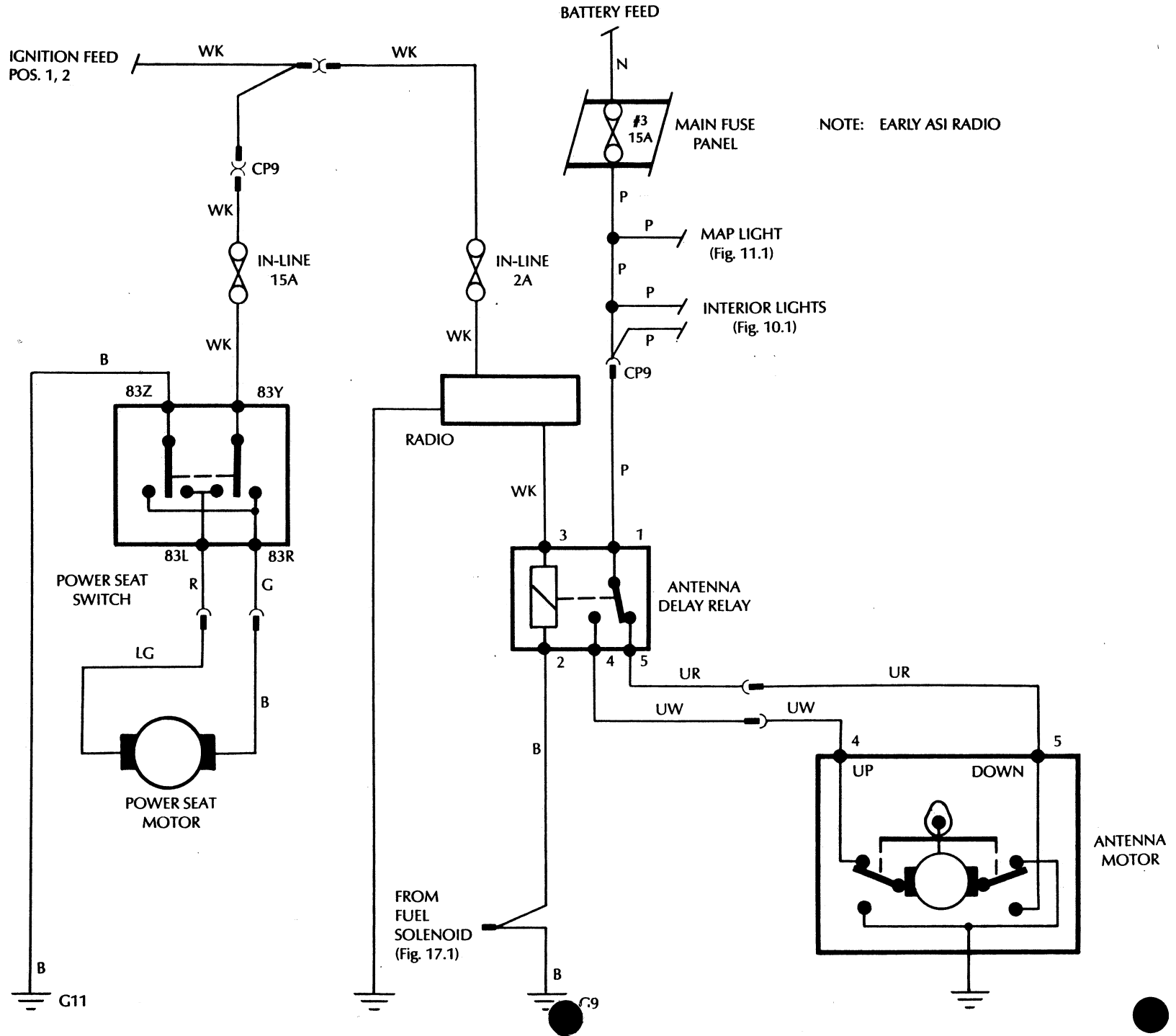
FIG. 13.2

WINDSHIELD WIPERS / WASHER (XJ6 III 4.2)



FIG. 14.1

POWER SEAT / EARLY RADIO / ANTENNA (XJ6 III 4.2)



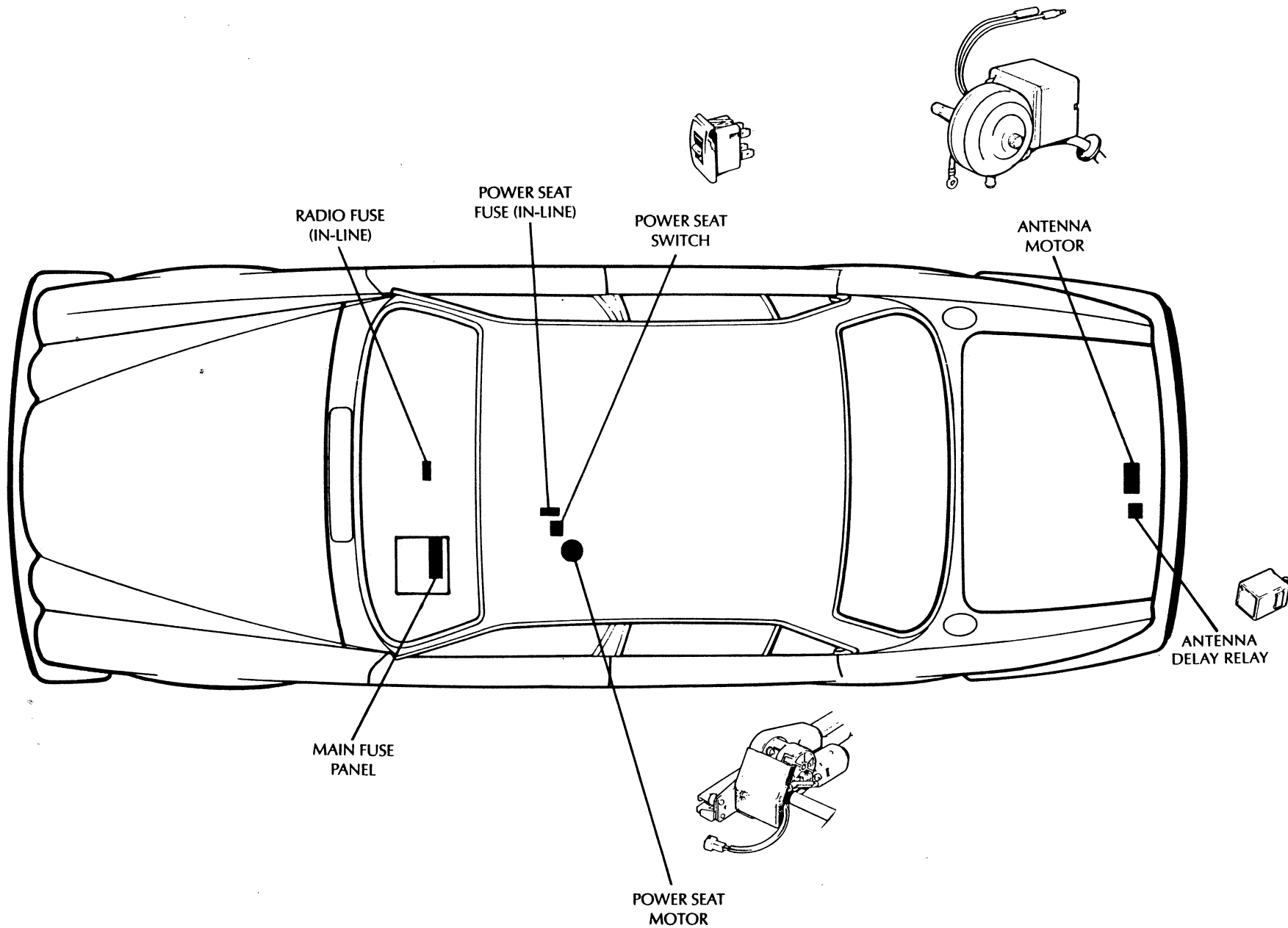


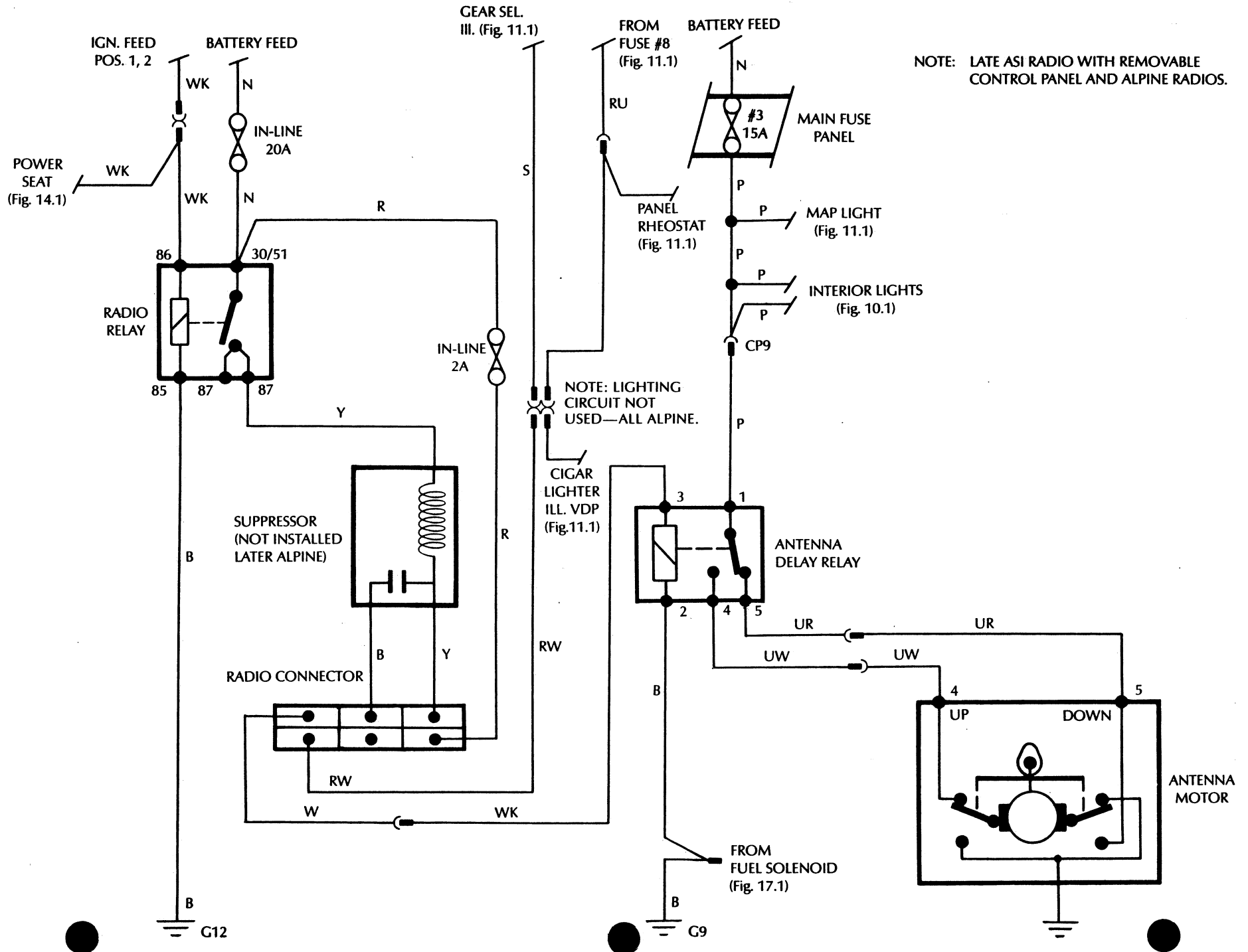
FIG. 14.2

POWER SEAT / EARLY RADIO / ANTENNA (XJ6 III 4.2)



FIG. 15.1

LATE RADIO / ANTENNA (XJ6 III 4.2)



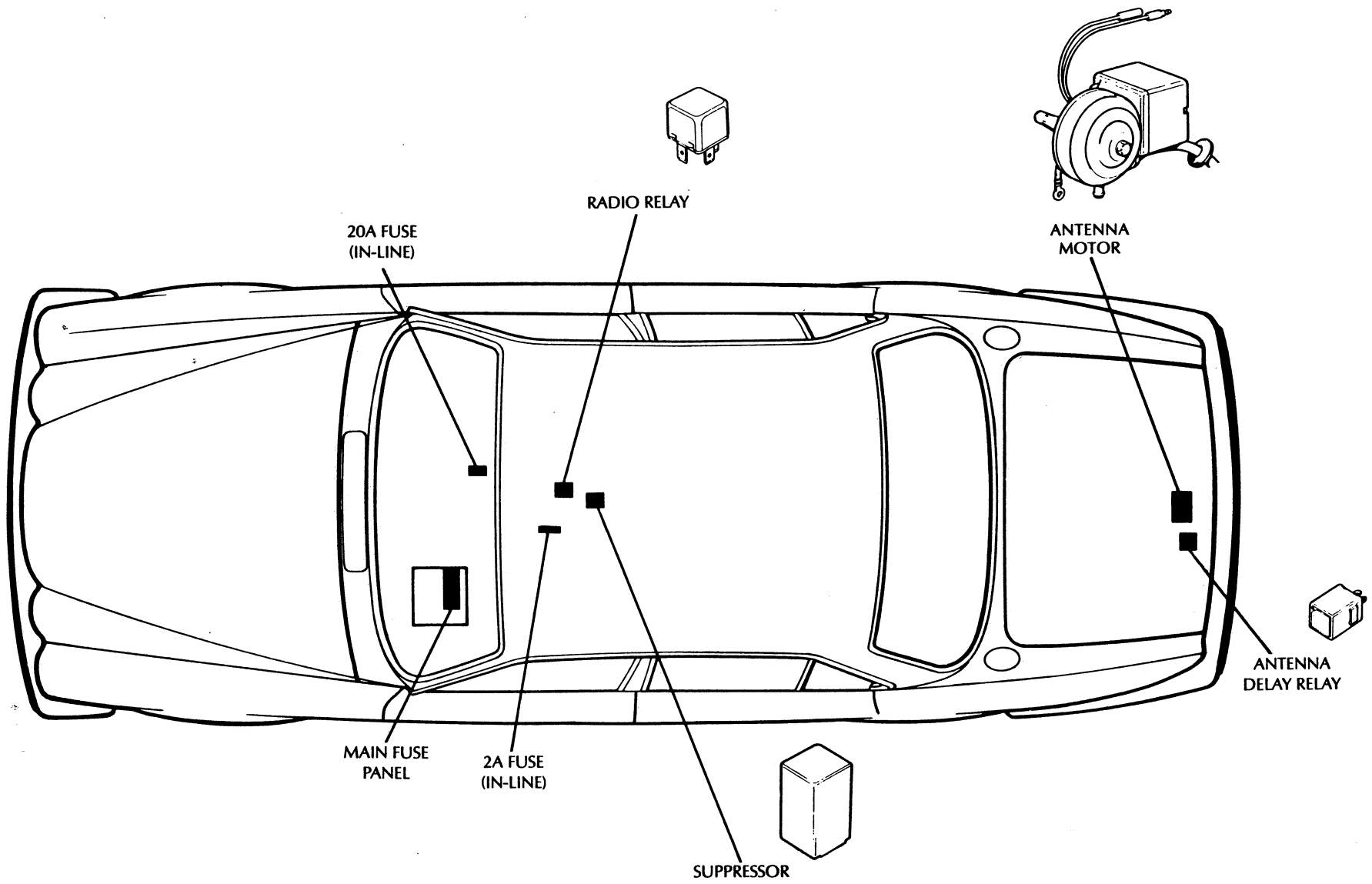


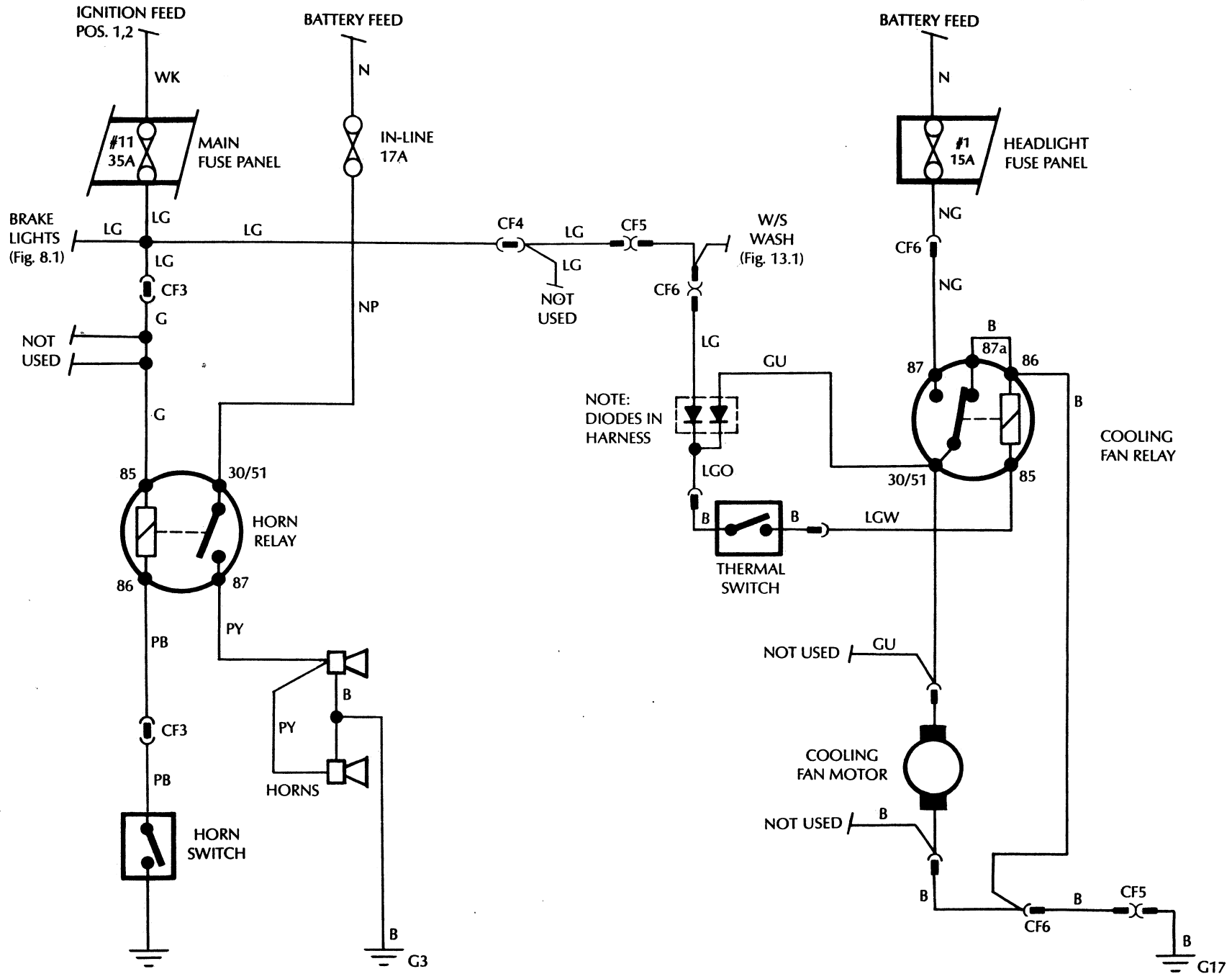
FIG. 15.2

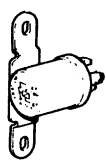
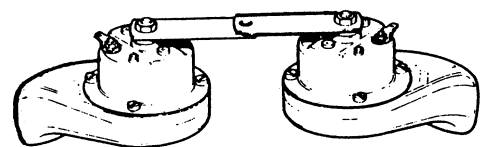
LATE RADIO / ANTENNA (XJ6 III 4.2)



FIG. 16.1

HORNS / COOLING FAN (XJ6 III 4.2)

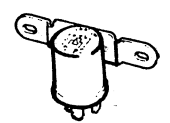
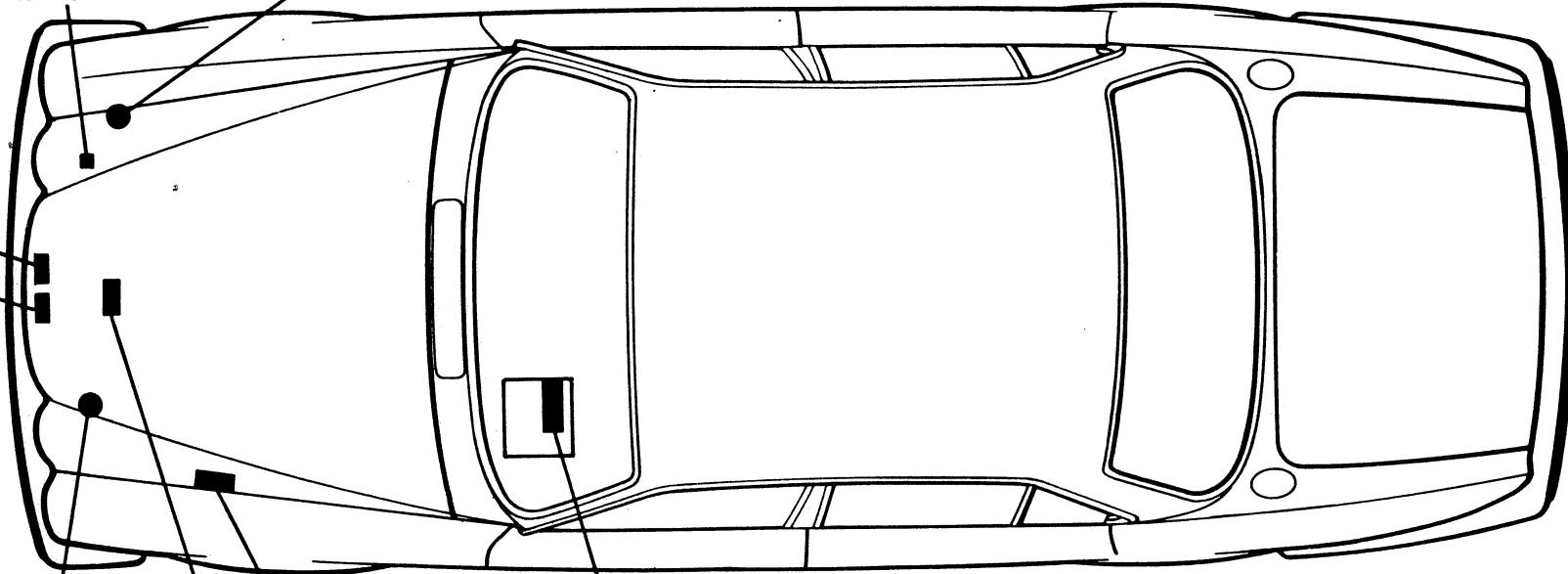




HORNS

HORN RELAY

COOLING FAN
THERMOSTAT



COOLING FAN
RELAY

HEADLIGHT
FUSE PANEL

MAIN FUSE PANEL

COOLING FAN
MOTOR

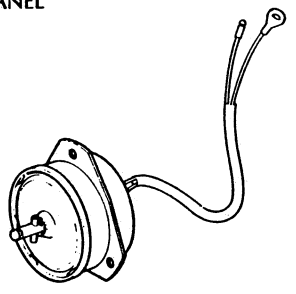


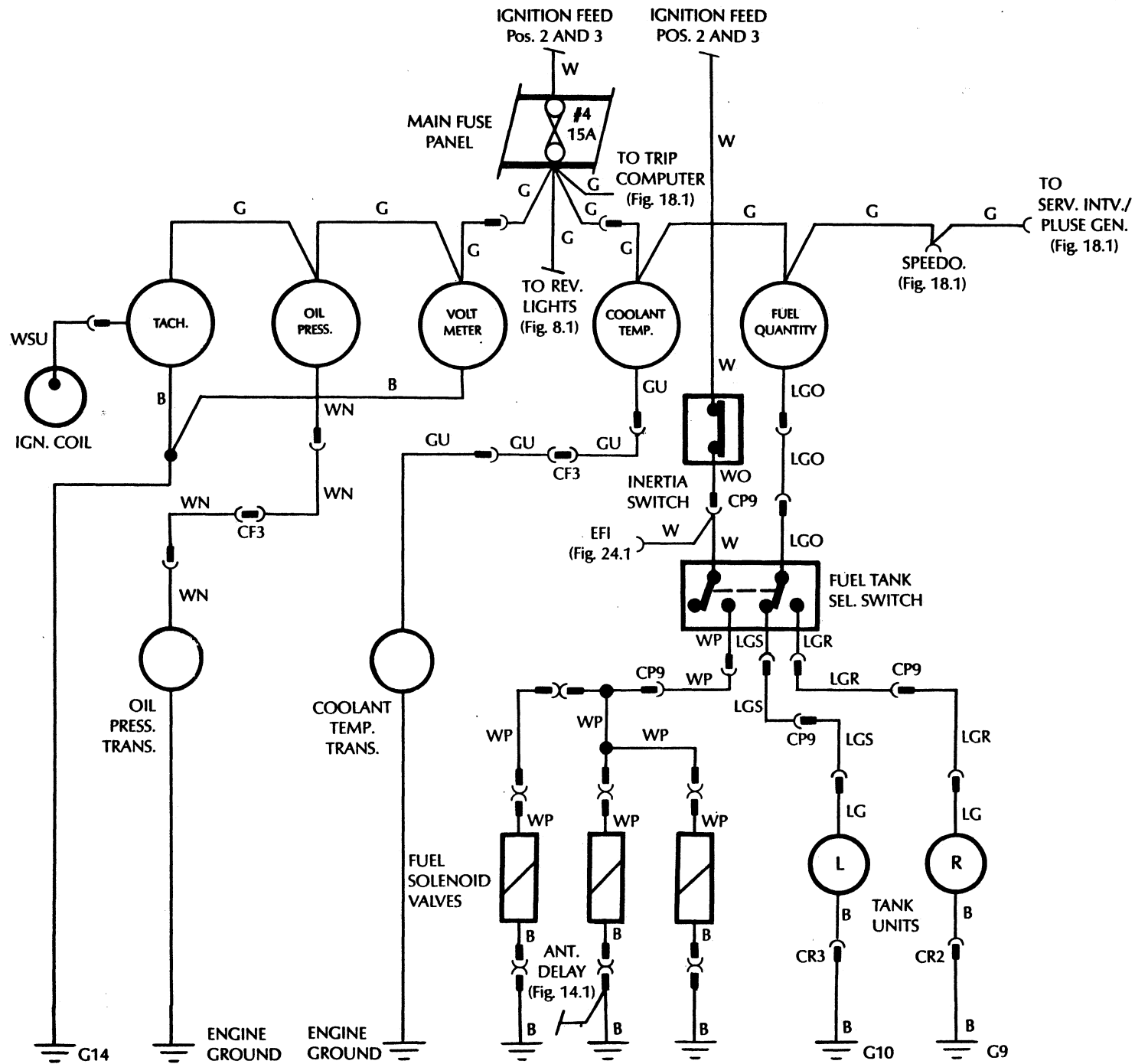
FIG. 16.2

HORNS / COOLING FAN (XJ6 III 4.2)



FIG. 17.1

INSTRUMENTATION / FUEL TANK SWITCHING (XJ6 III 4.2)



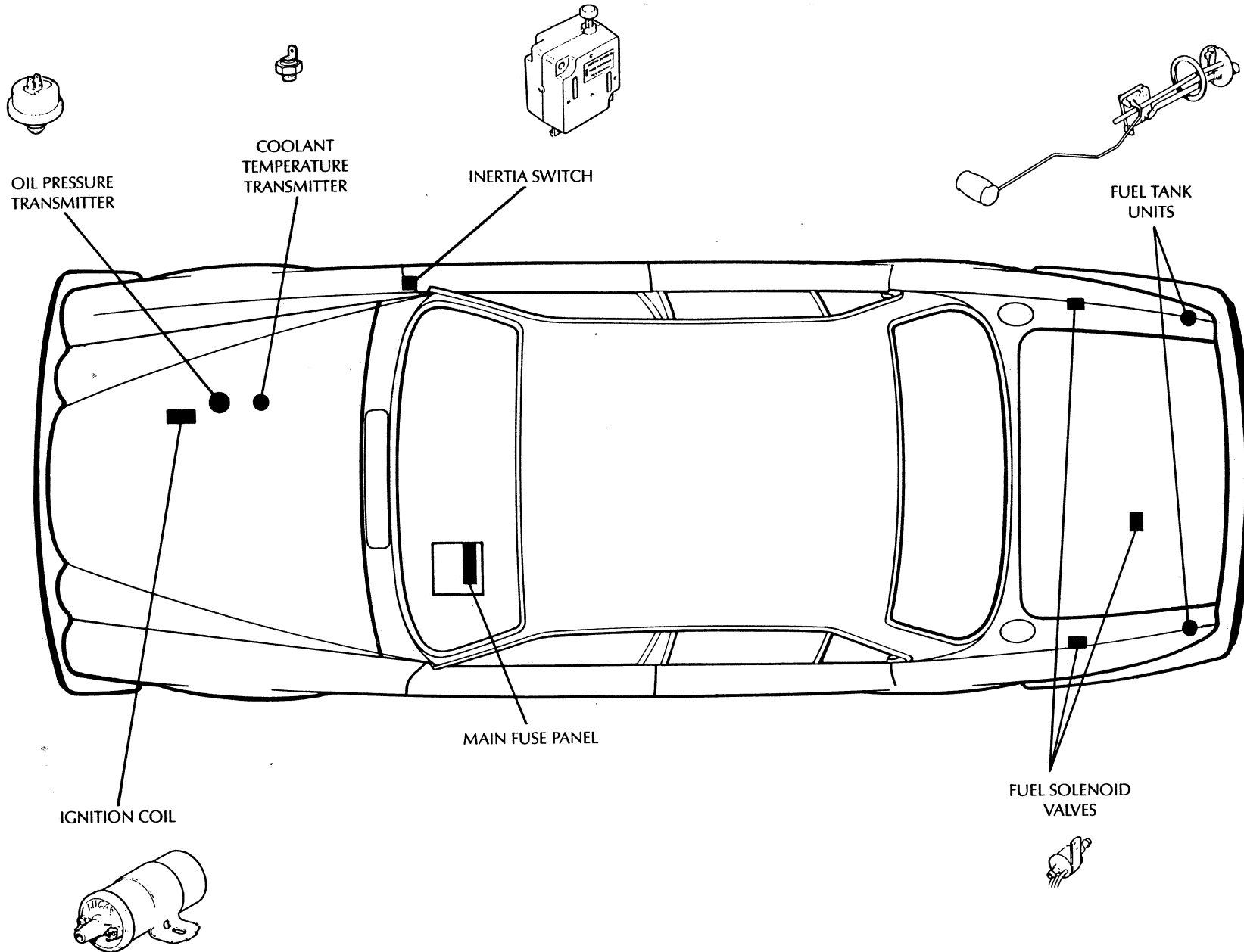


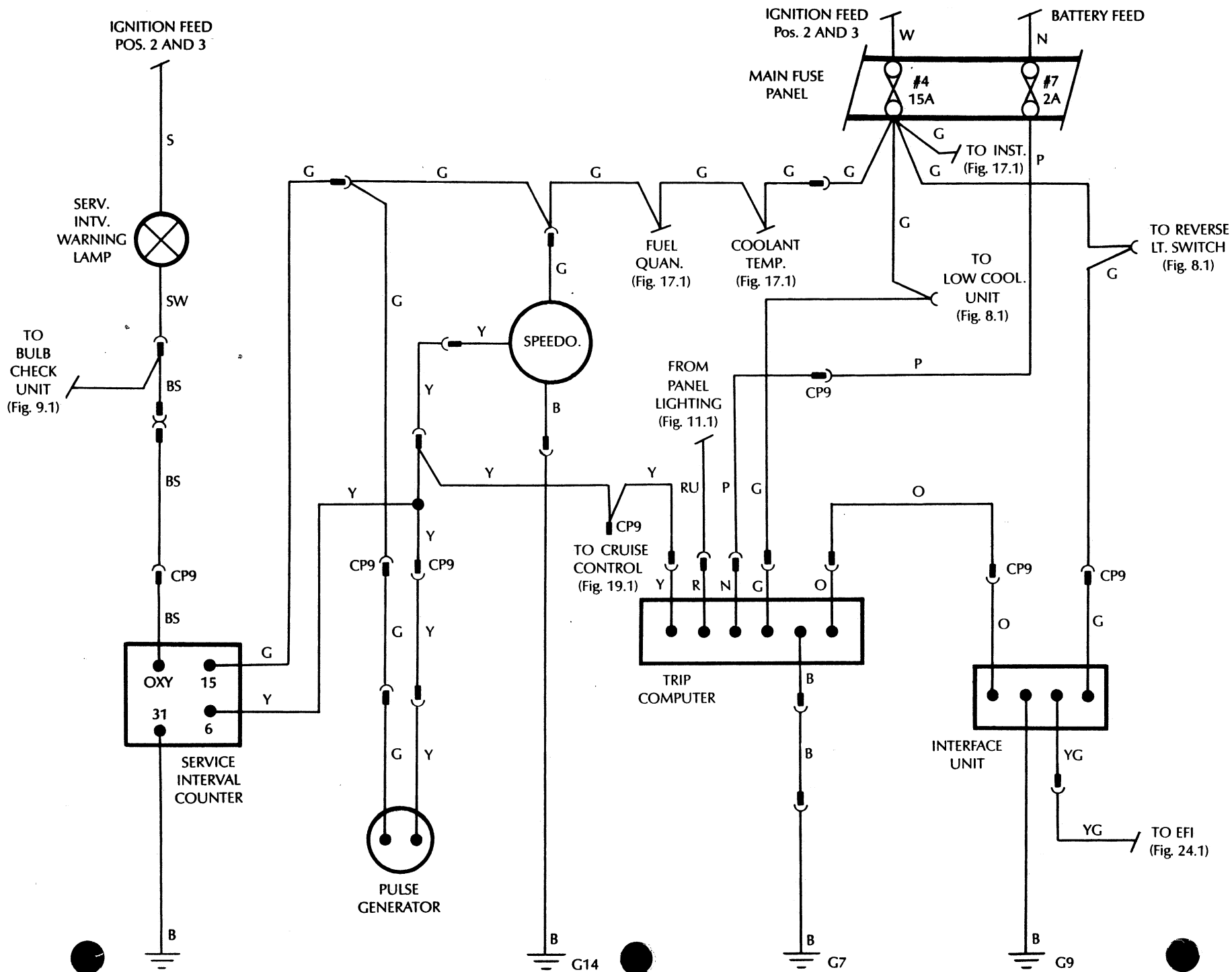
FIG. 17.2

INSTRUMENTATION / FUEL TANK SWITCHING (XJ6 III 4.2)



FIG. 18.1

SPEEDOMETER / TRIP COMPUTER (XJ6 III 4.2)



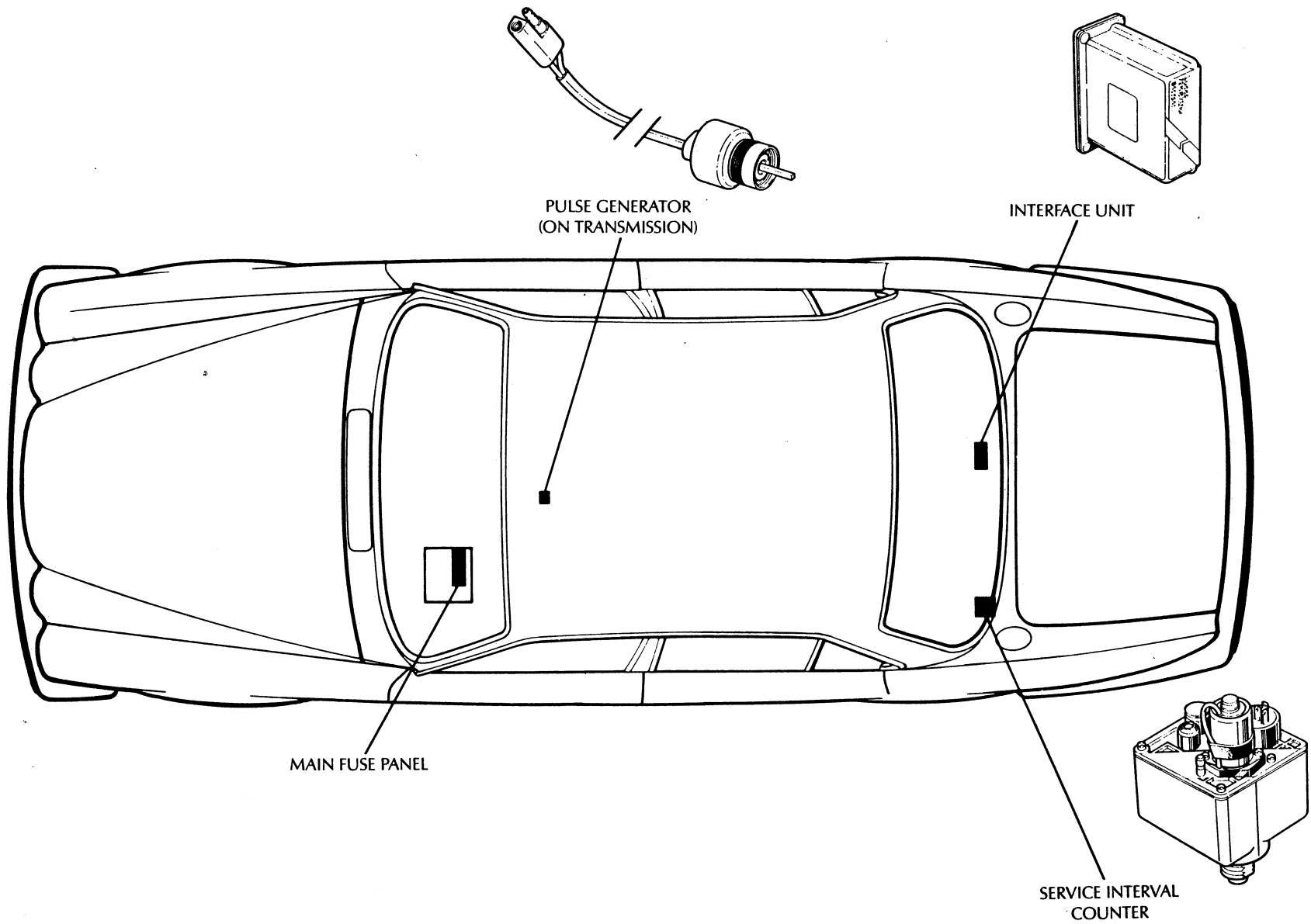


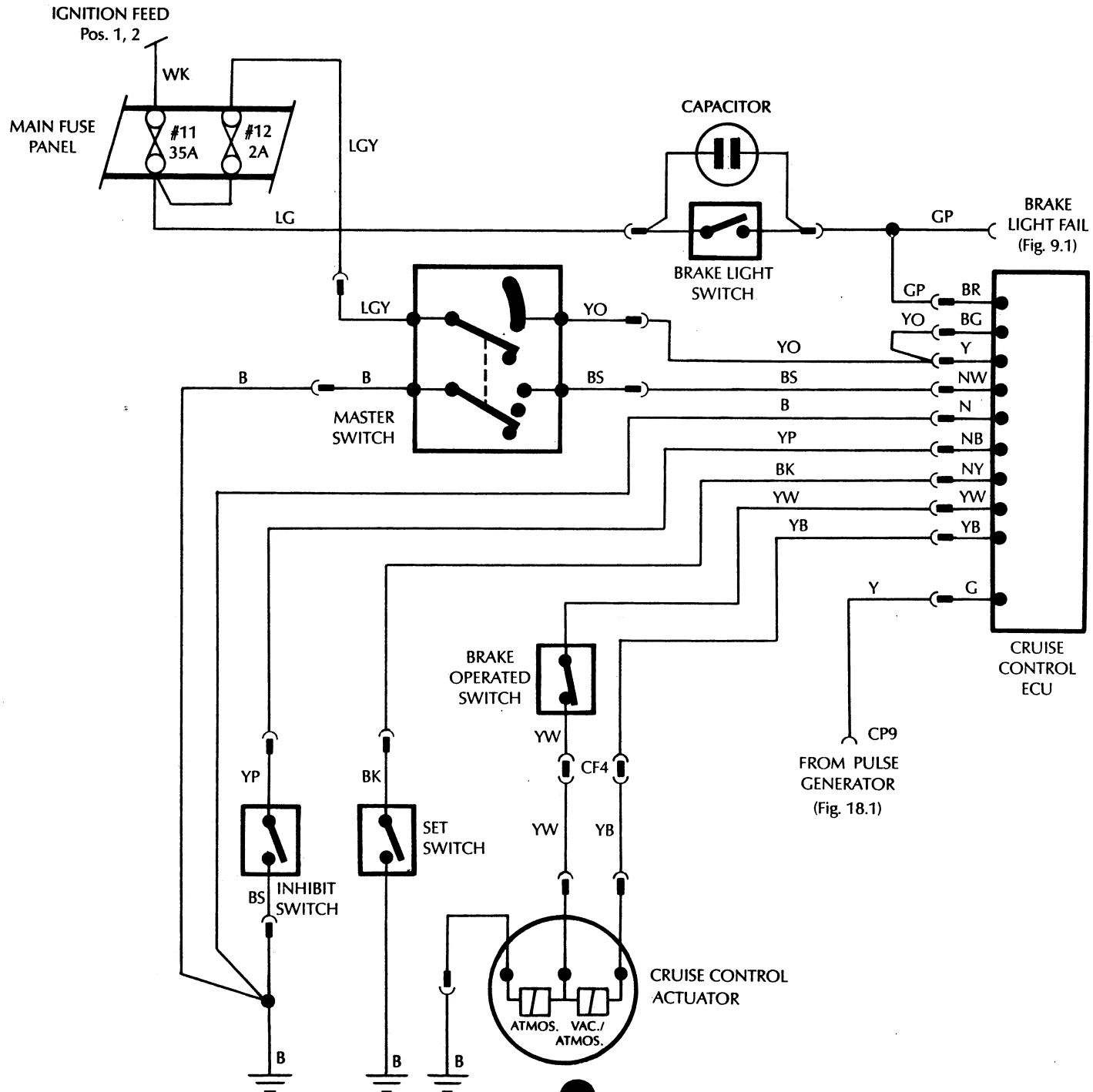
FIG. 18.2

SPEEDOMETER / TRIP COMPUTER (XJ6 III 4.2)



FIG. 19.1

CRUISE CONTROL (XJ6 III 4.2)



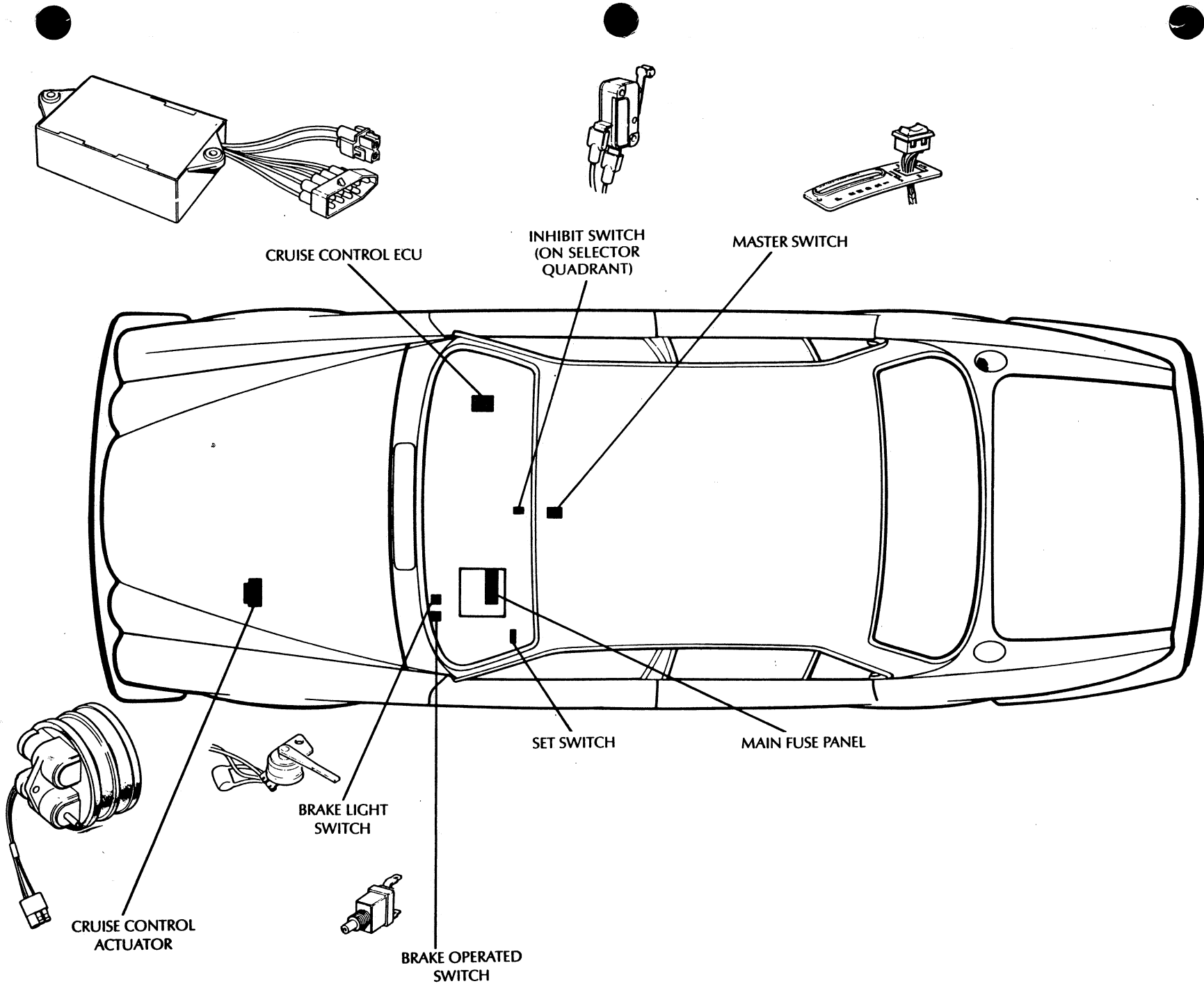


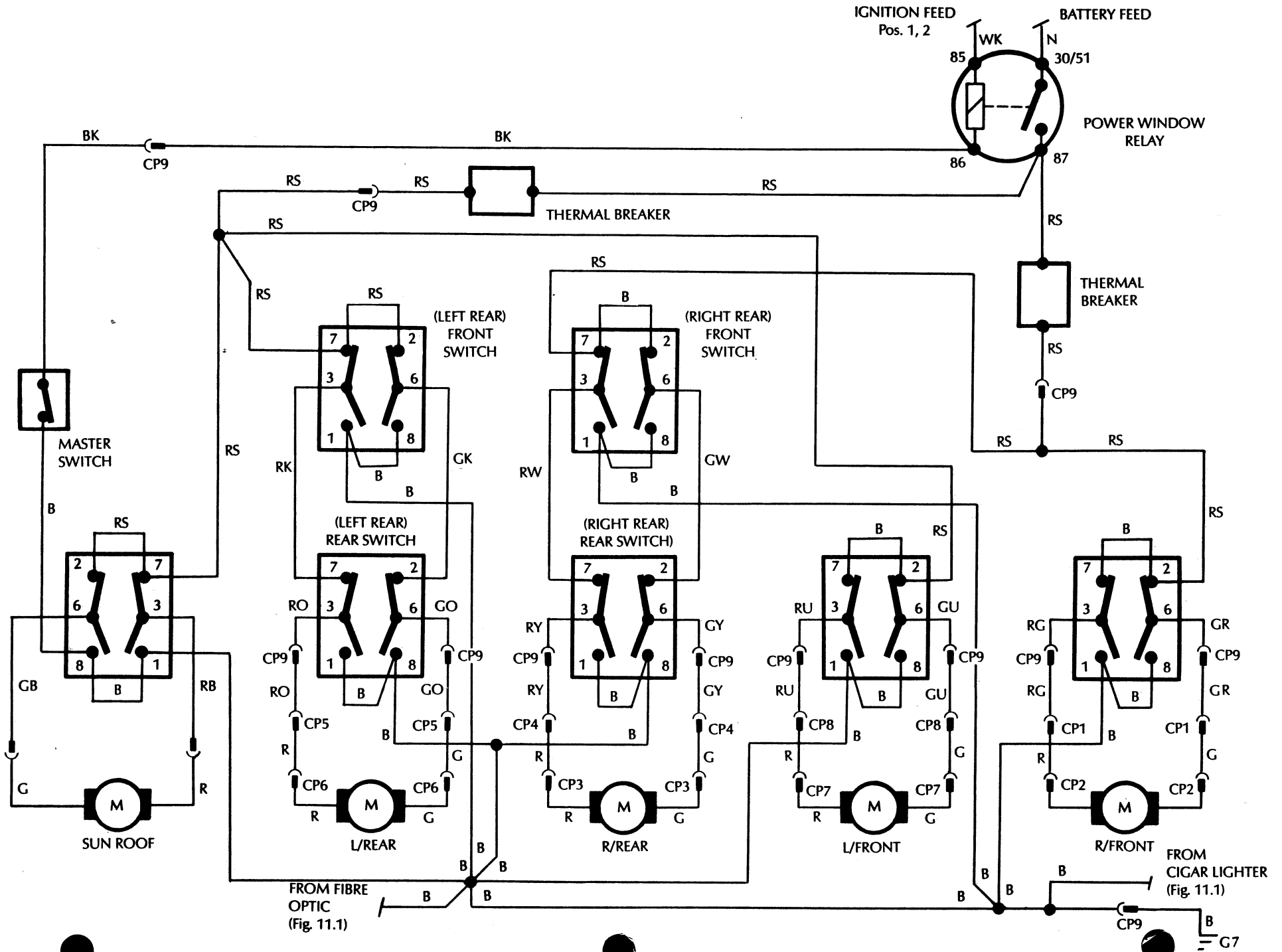
FIG. 19.2

CRUISE CONTROL (XJ6 III 4.2)



FIG. 20.1

POWER WINDOWS / SUN ROOF (XJ6 III 4.2)



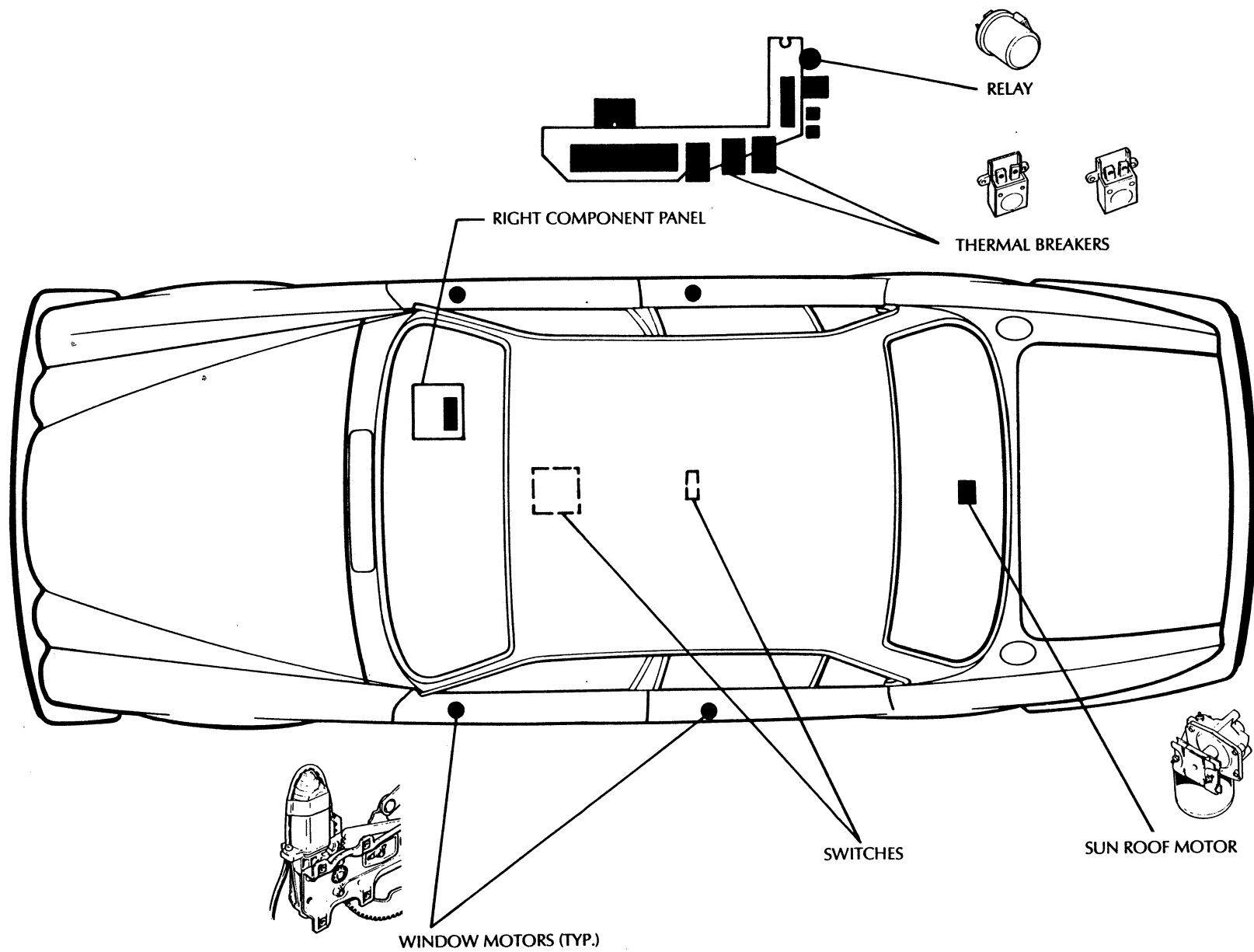


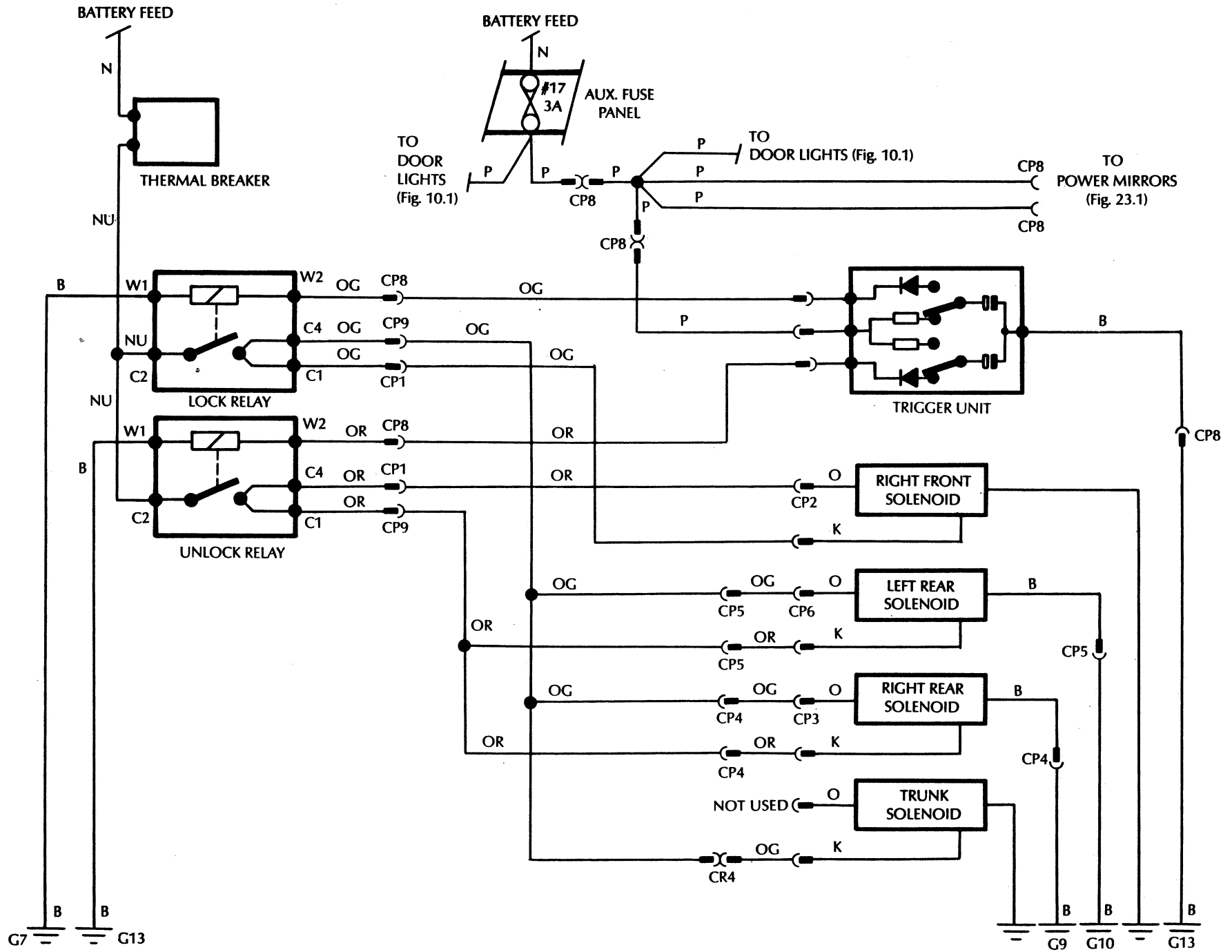
FIG. 20.2

POWER WINDOWS / SUN ROOF (XJ6 III 4.2)



FIG. 21.1

DOOR LOCKS — SOLENOID (XJ6 III 4.2)



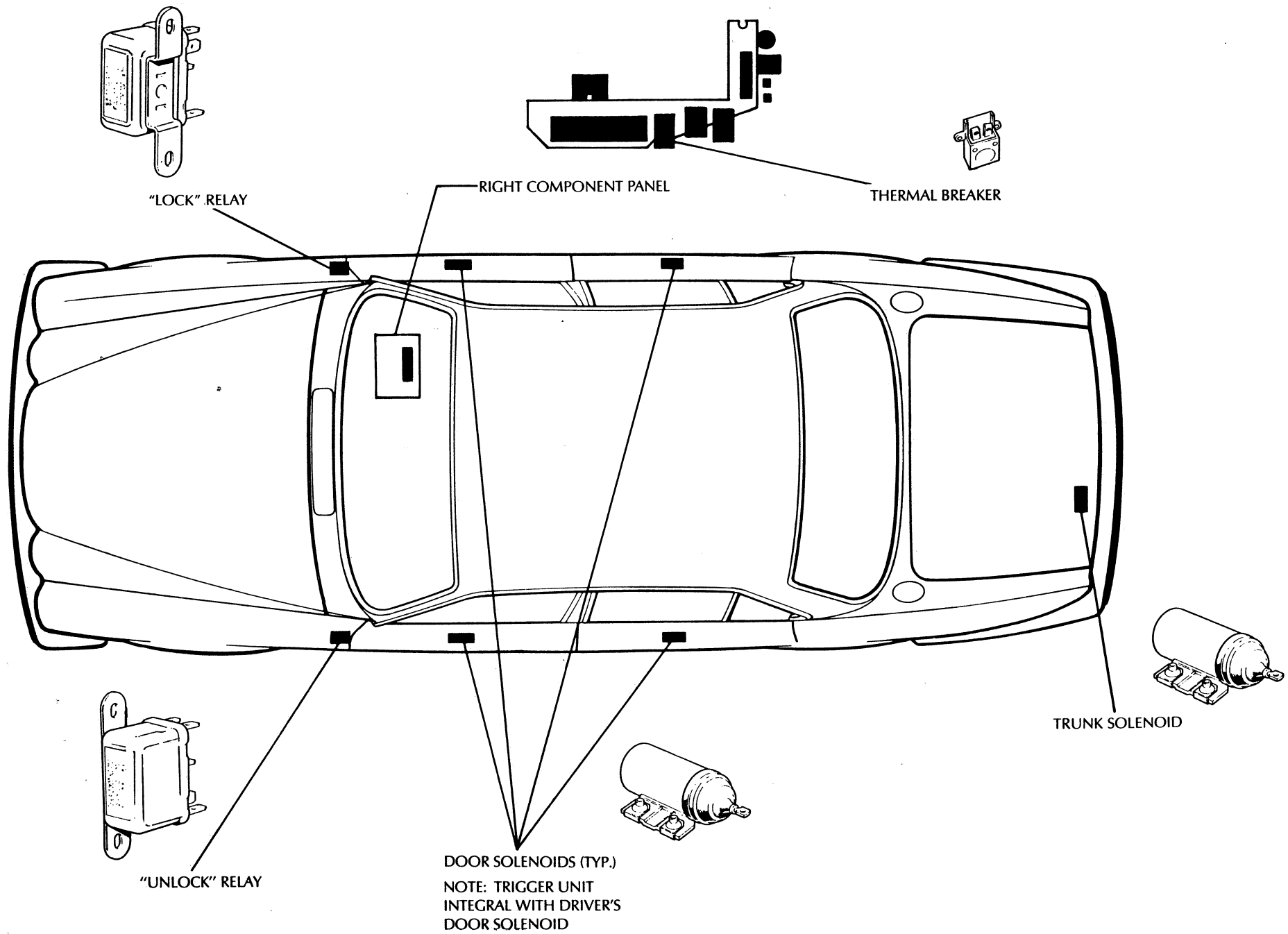


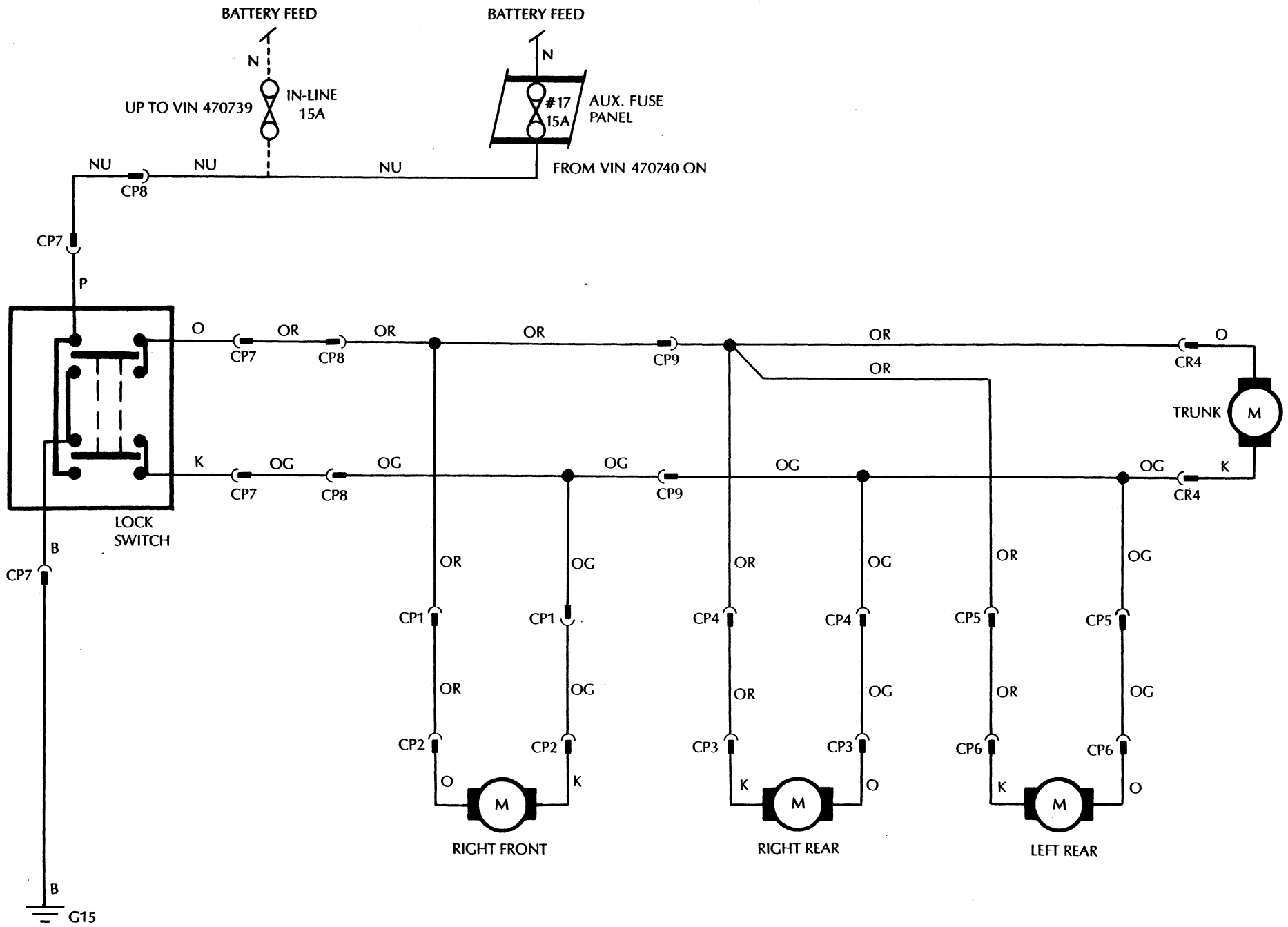
FIG. 21.2

DOOR LOCKS — SOLENOID (XJ6 III 4.2)



FIG. 22.1

DOOR LOCKS — MOTORIZED (XJ6 III 4.2)



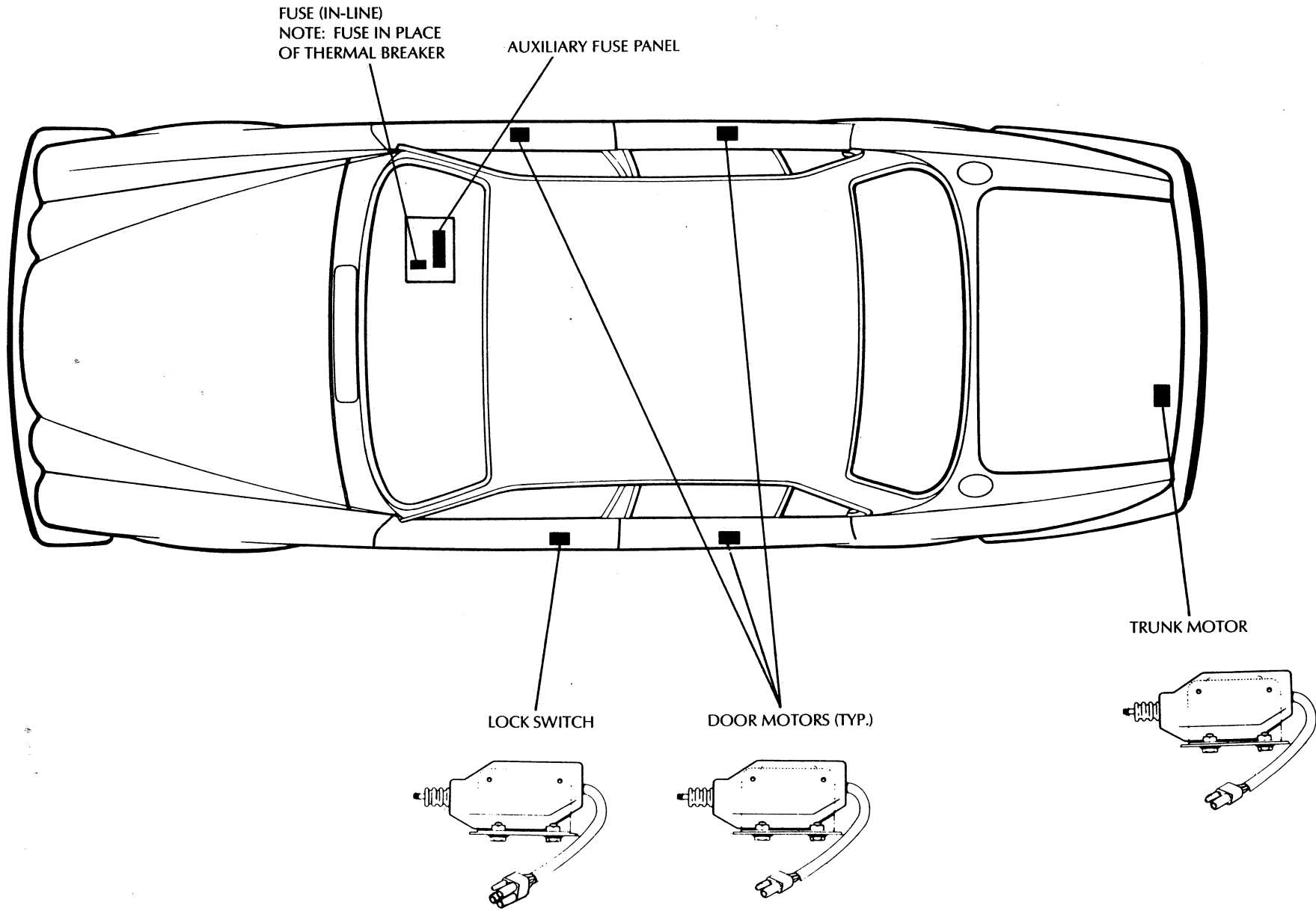


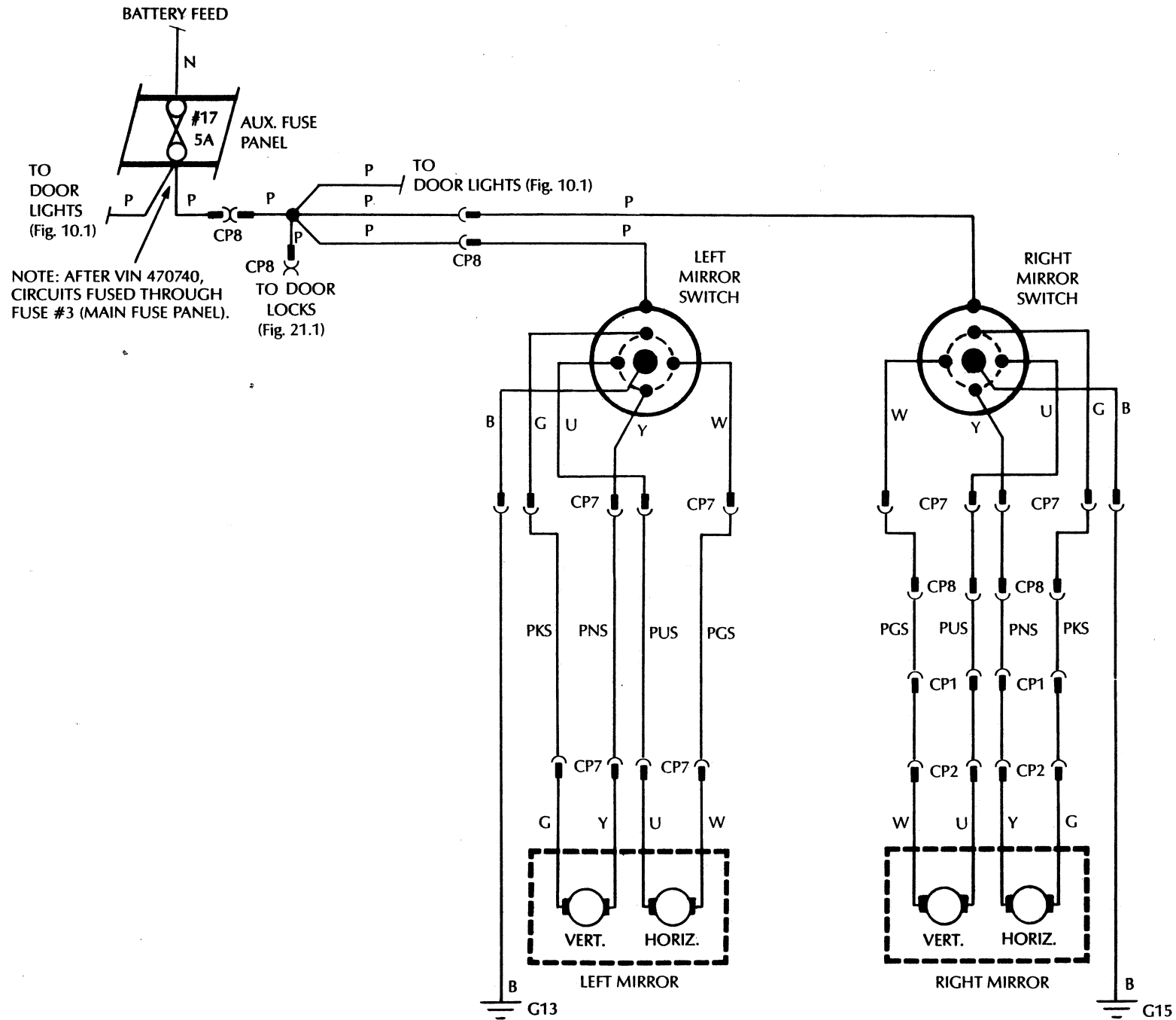
FIG 22.2

DOOR LOCKS — MOTORIZED (XJ6 III 4.2)



FIG. 23.1

POWER MIRRORS (XJ6 III 4.2)



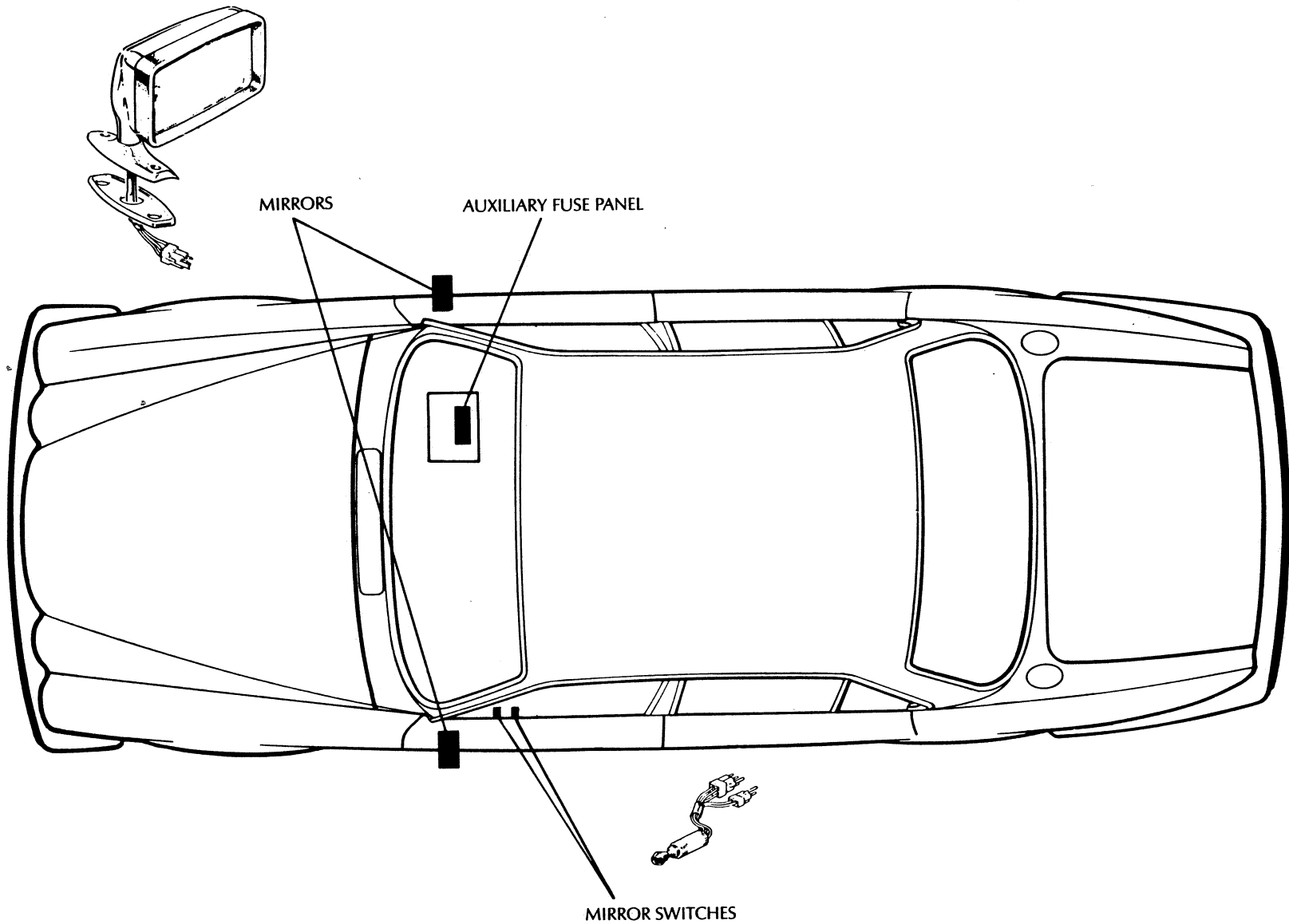


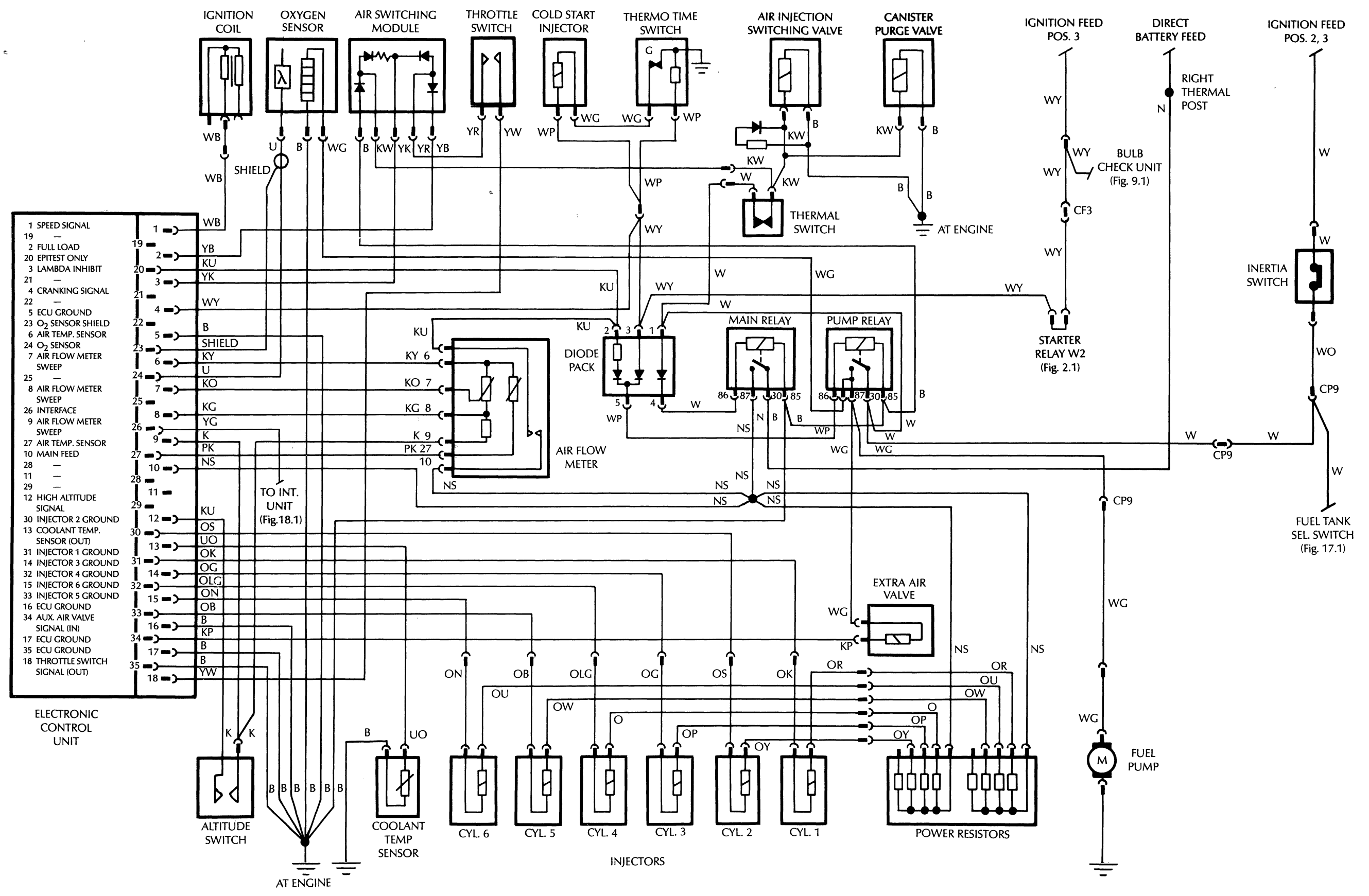
FIG. 23.2

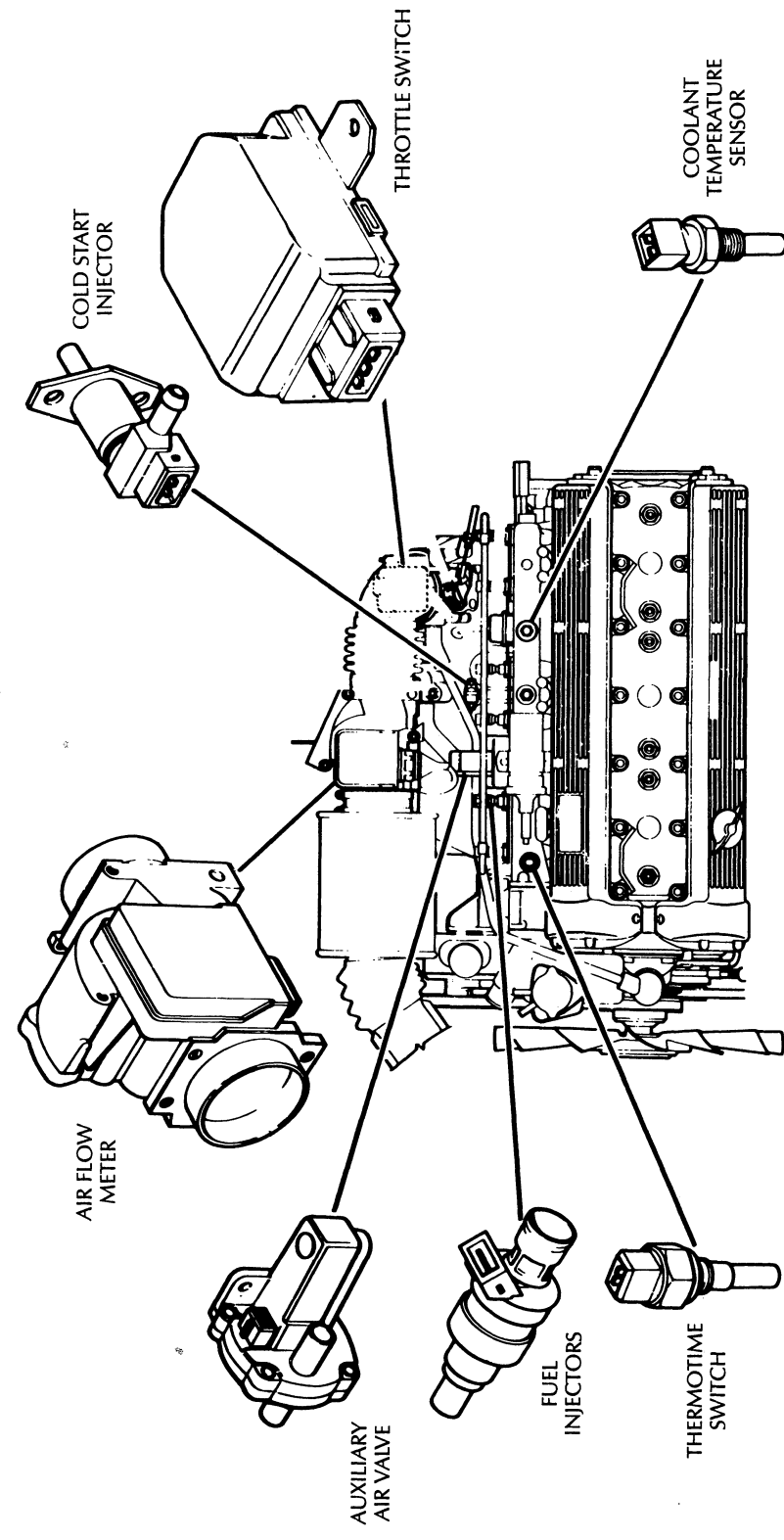
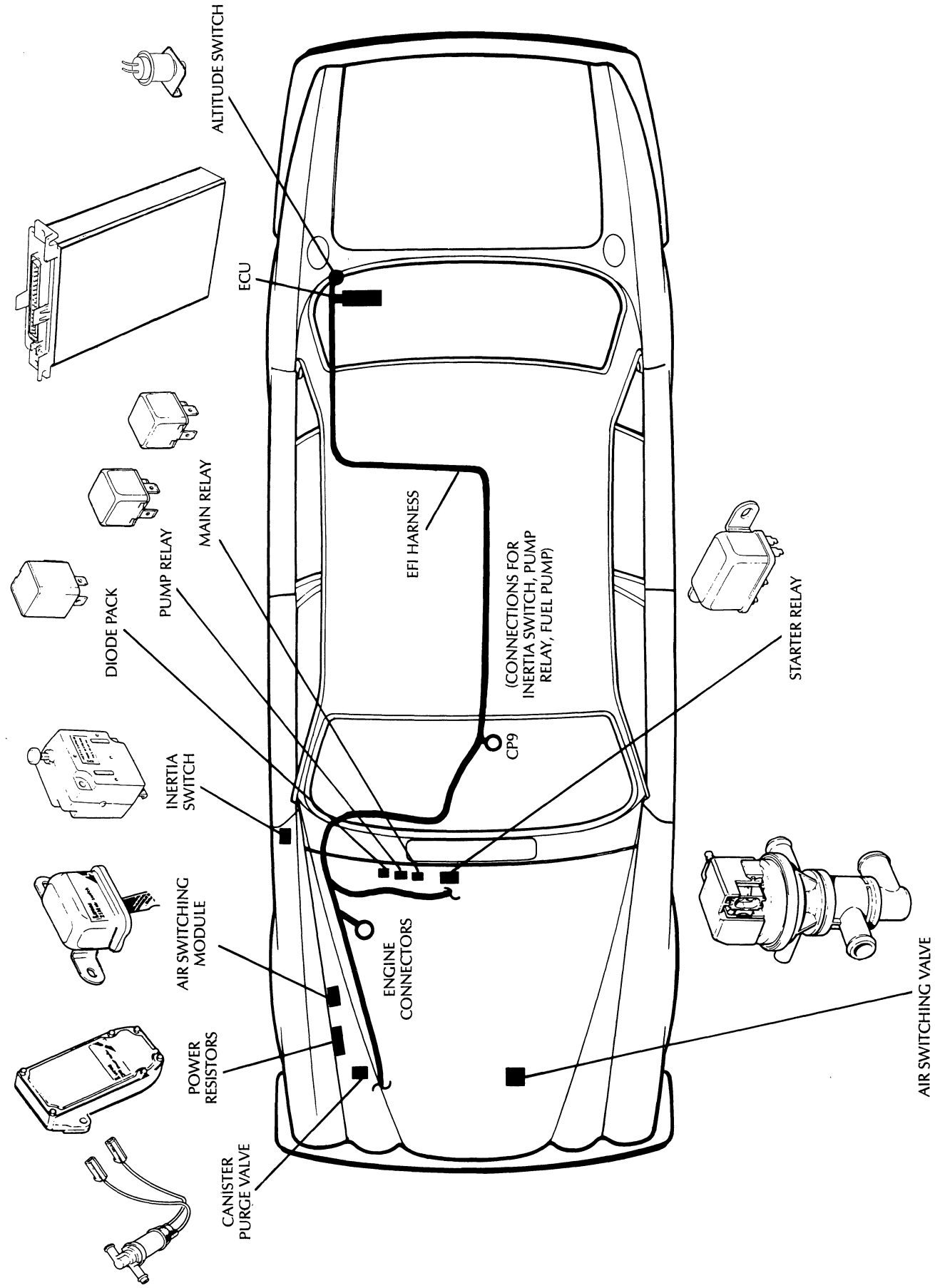
POWER MIRRORS (XJ6 III 4.2)



FIG. 24.1

EFI / EMISSIONS CONTROL (XJ6 III 4.2)

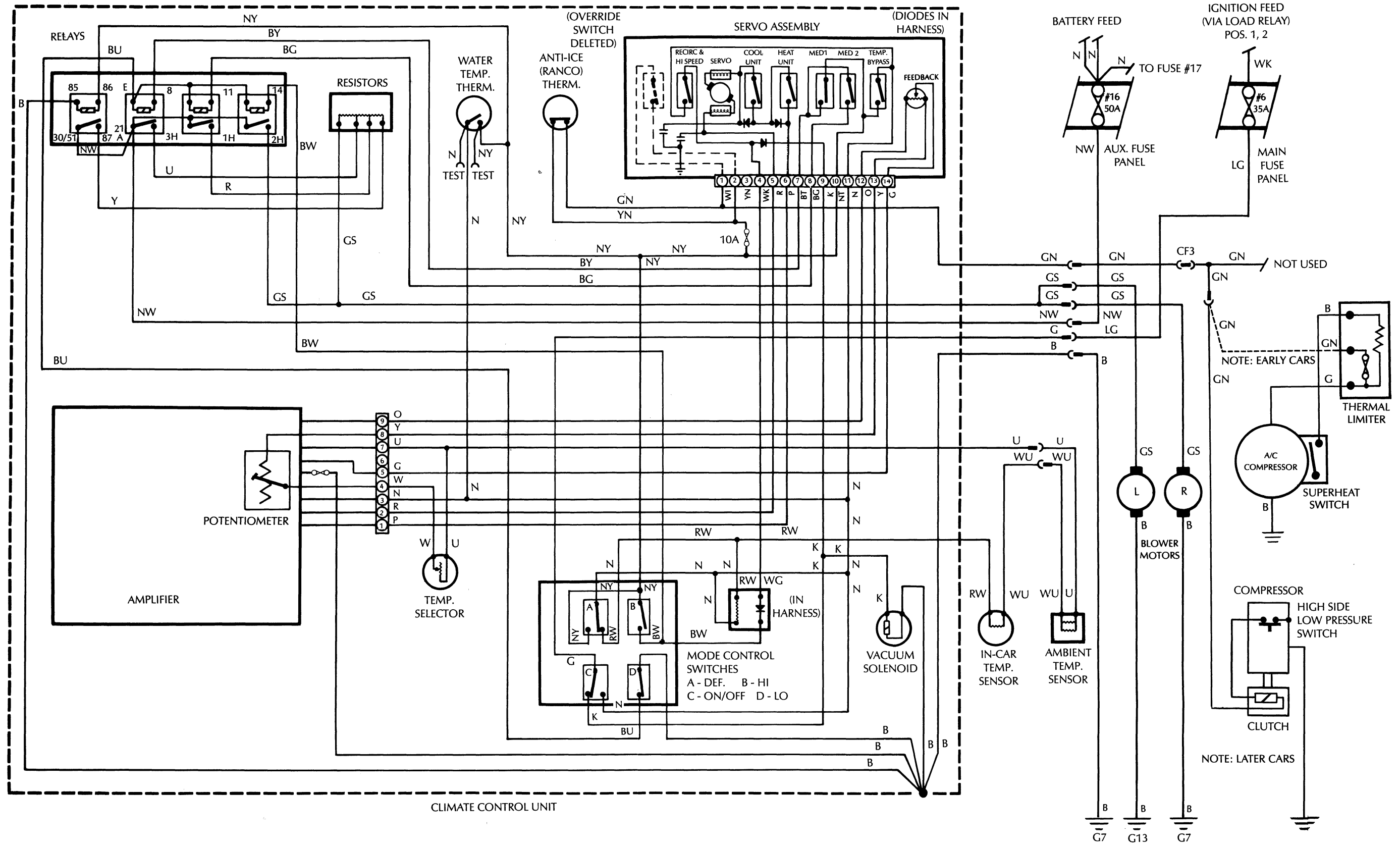


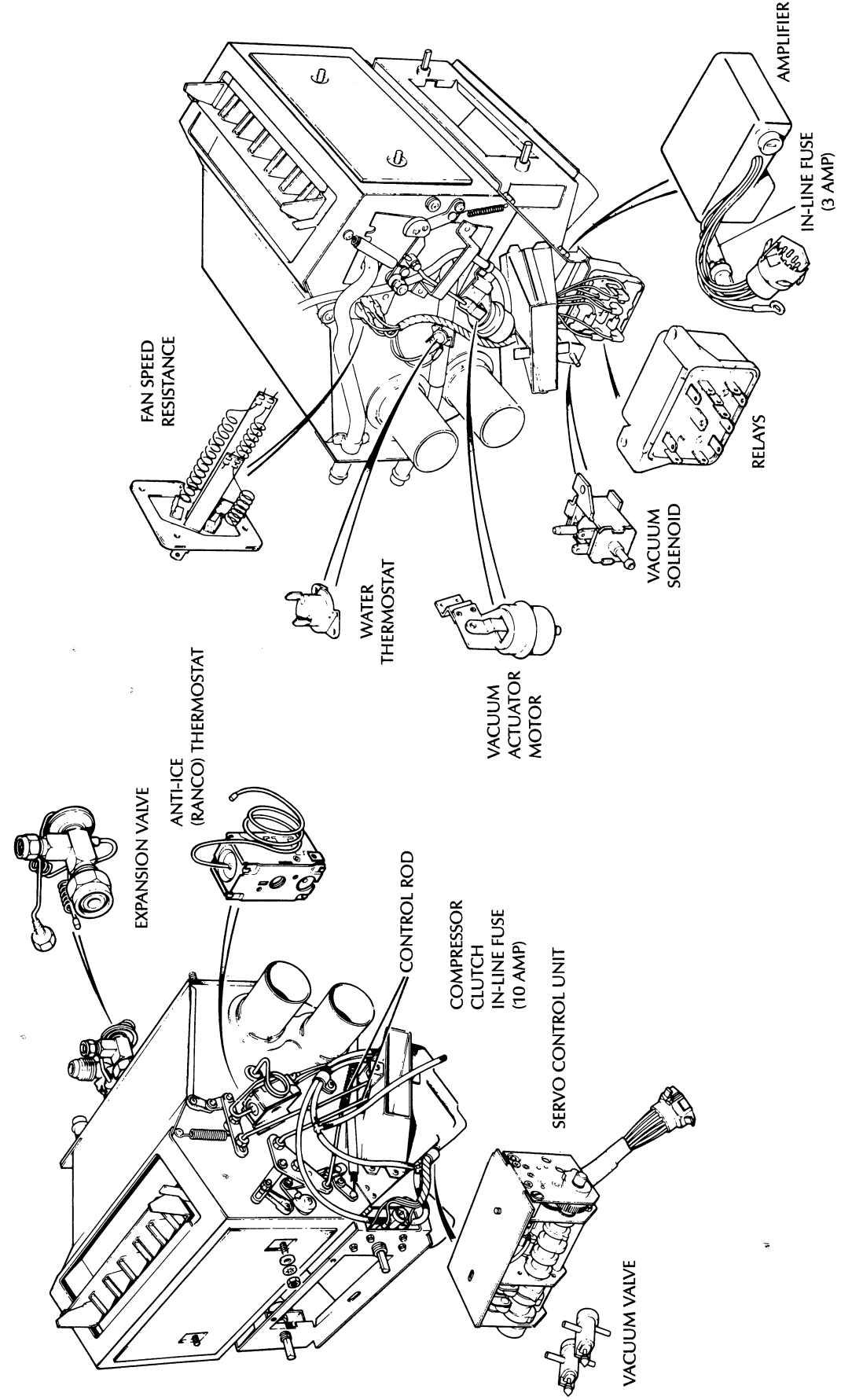
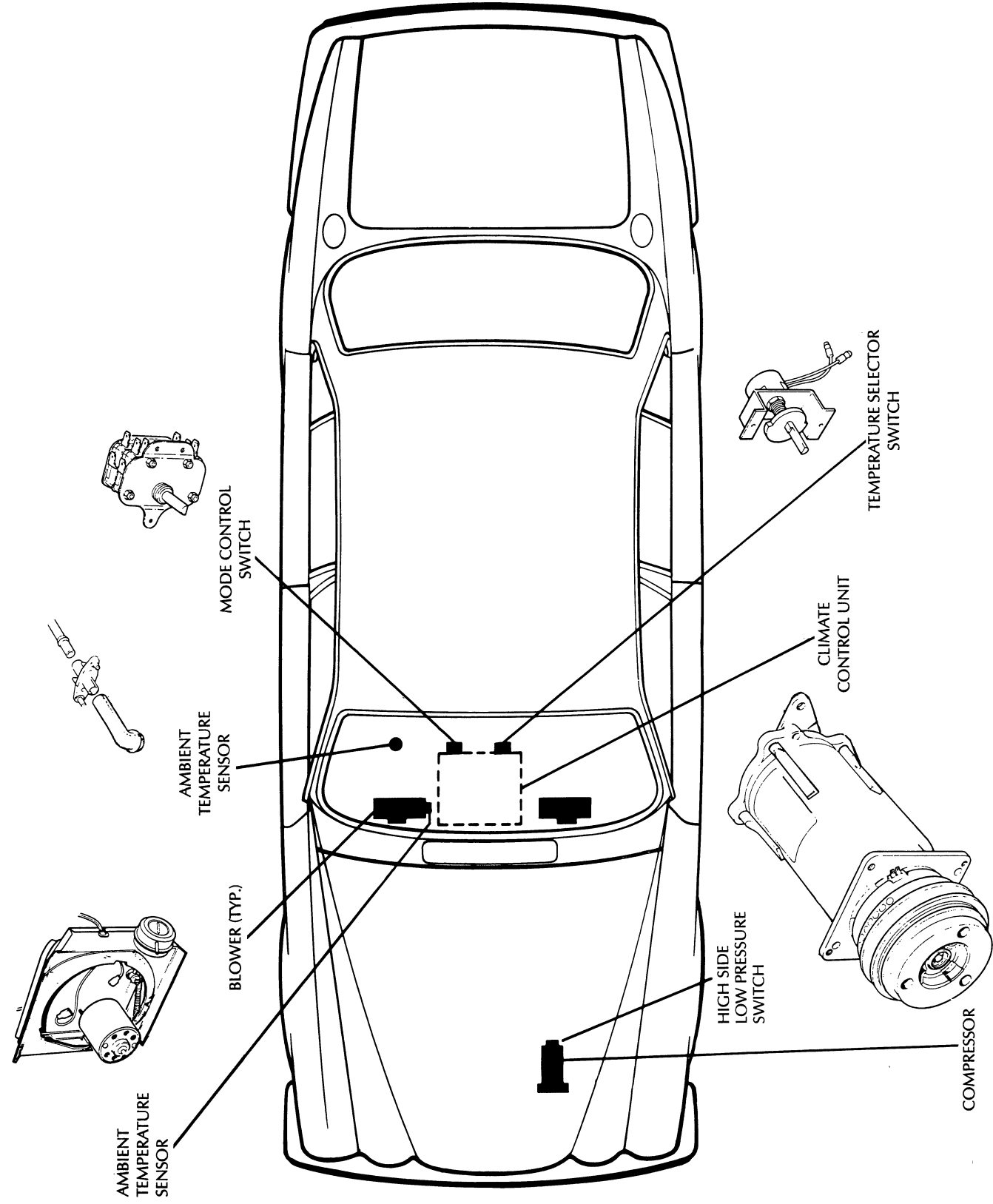


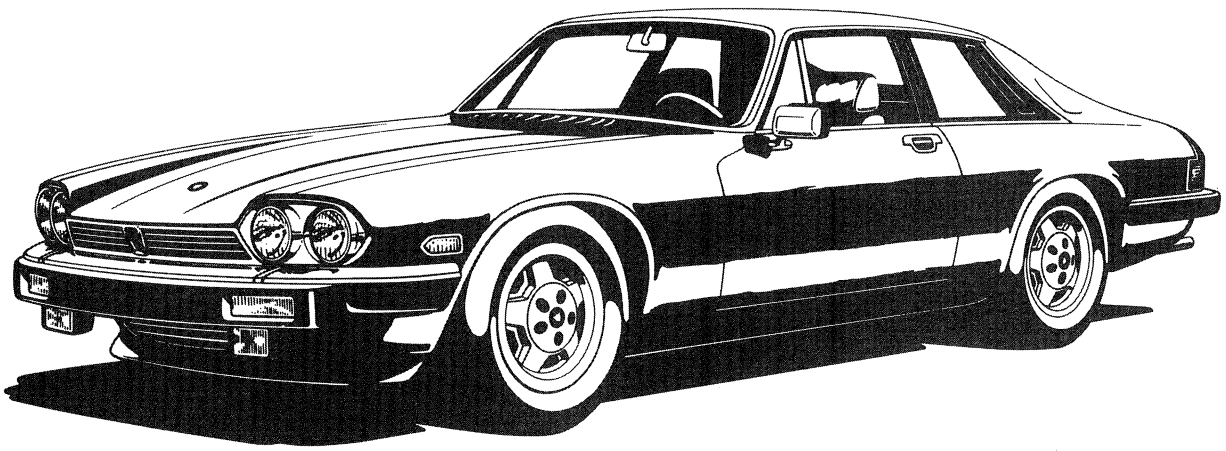
FUELING CONTROL / METERING

FIG. 25.1

CLIMATE CONTROL (XJ6 III 4.2)







XJ-S through 1987 MY

TABLE OF CONTENTS XJ-S THROUGH 1987 MY

DESCRIPTION	WIRING DIAGRAM	COMPONENT LOCATION
HARNESS LAYOUT	—	1.1
CHASSIS GROUND POINTS	—	1.2
BATTERY; STARTER; ALTERNATOR	2.1	2.1
POWER DISTRIBUTION—DIRECT BATTERY FEEDS	3.1	3.2
POWER DISTRIBUTION—IGNITION FEEDS	4.1	4.2
HEADLIGHTS	5.1	5.2
FOG LIGHTS	6.1	6.2
PARKING LIGHTS; MARKER LIGHTS	7.1	7.2
HAZARD; TURN SIGNALS	8.1	8.2
BRAKE LIGHTS; REVERSE LIGHTS	9.1	9.2
WARNING LIGHTS	10.1	10.2
INTERIOR LIGHTING	11.1	11.2
PANEL LIGHTS	12.1	12.2
TRUNK LIGHTS; TRANS. K/D; CIGAR LIGHTER	13.1	13.2
HEATED REAR WINDOW	14.1	14.2
WINDSHIELD WIPERS, WASHER	15.1	15.2
EARLY RADIO; ANTENNA	16.1	16.2
LATE RADIO; ANTENNA	17.1	17.2
HORNS; COOLING FAN	18.1	18.2
INSTRUMENTATION; TRIP COMPUTER	19.1	19.2
CRUISE CONTROL	20.1	20.2
POWER WINDOWS	21.1	21.2
POWER DOOR LOCKS	22.1	22.2
POWER MIRRORS	23.1	23.2
EFI and EMISSIONS CONTROL (up to VIN 133460)	24.1	24.4
EFI and EMISSIONS CONTROL (up to VIN 133460-w/ kit)	24.2	24.4
EFI and EMISSIONS CONTROL (VIN 133461—139051)	24.3	24.4
CLIMATE CONTROL	25.1	25.2

FORWARD OF FRONT BULKHEAD

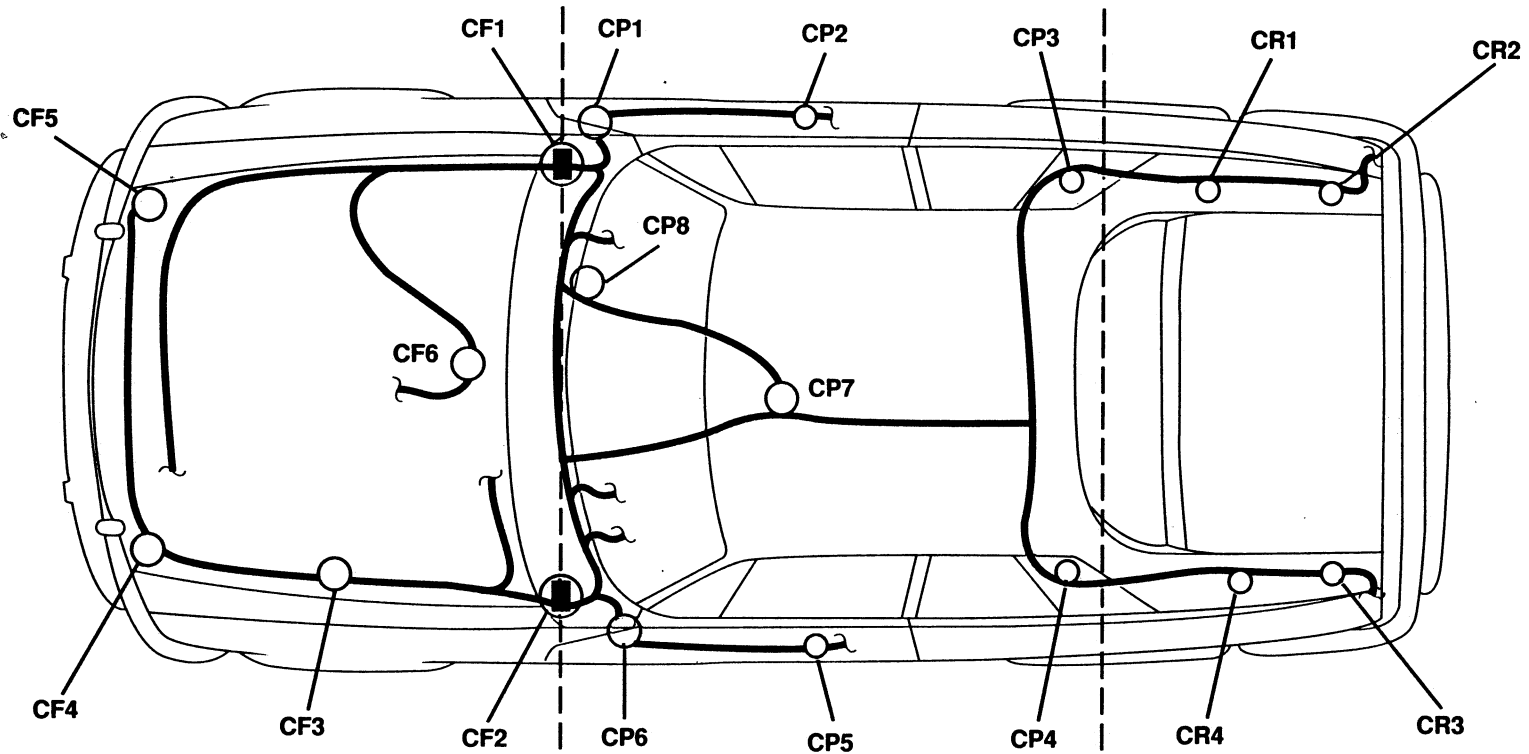
- CF1 RIGHT BULKHEAD
- CF2 LEFT BULKHEAD
- CF3 LEFT FRONT INNER FENDER
- CF4 LEFT FRONT CORNER
- CF5 RIGHT FRONT CORNER
- CF6 ENGINE

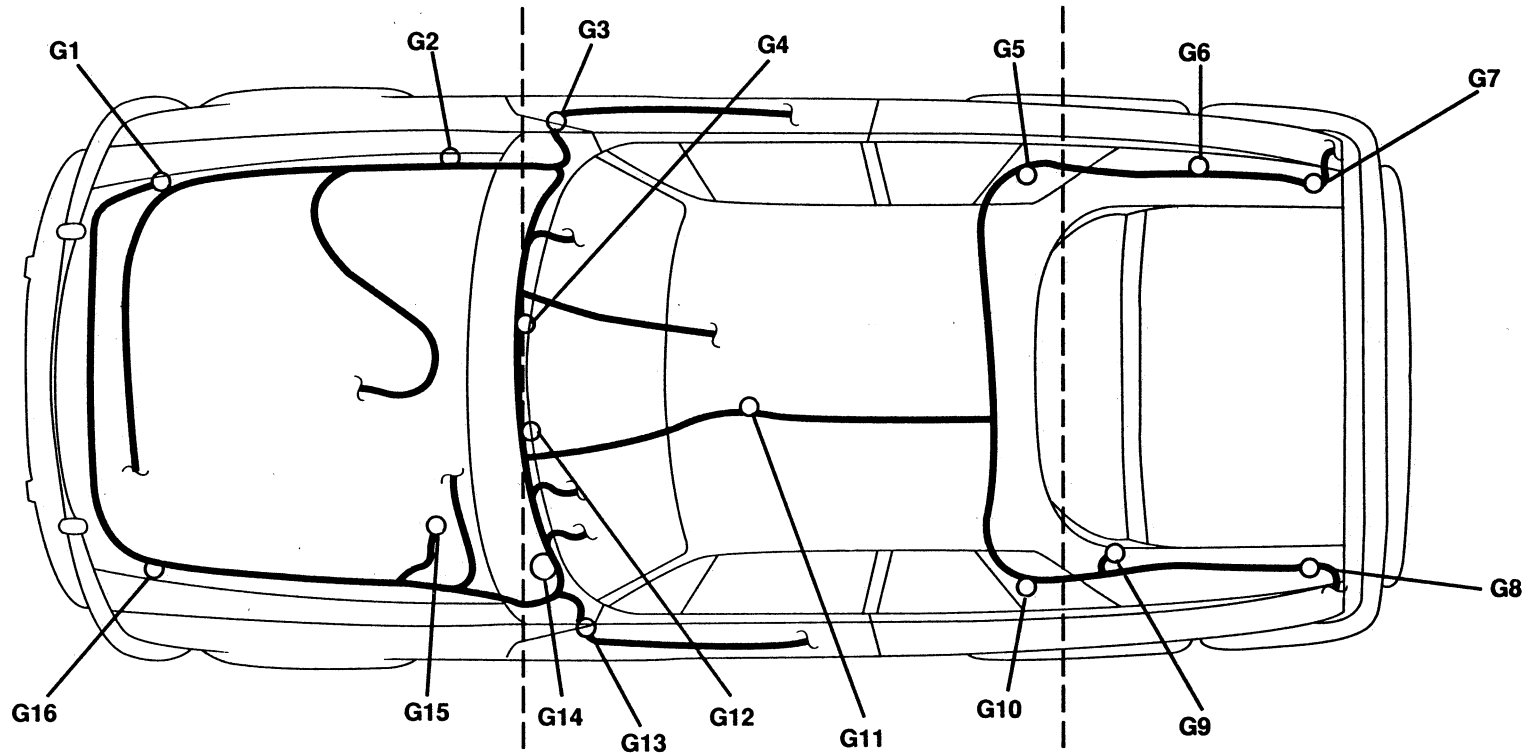
IN PASSENGER AREA

- CP1 RIGHT DOOR POST
- CP2 INSIDE RIGHT DOOR
- CP3 RIGHT REAR, UNDER SEAT
- CP4 LEFT REAR, UNDER SEAT
- CP5 INSIDE LEFT DOOR
- CP6 LEFT DOOR POST
- CP7 CENTER CONSOLE
- CP8 BEHIND CENTER PANEL (RIGHT SIDE)

REAR OF REAR BULKHEAD

- CR1 TRUNK, RIGHT SIDE
- CR2 RIGHT REAR CORNER
- CR3 LEFT REAR CORNER
- CR4 TRUNK, LEFT SIDE





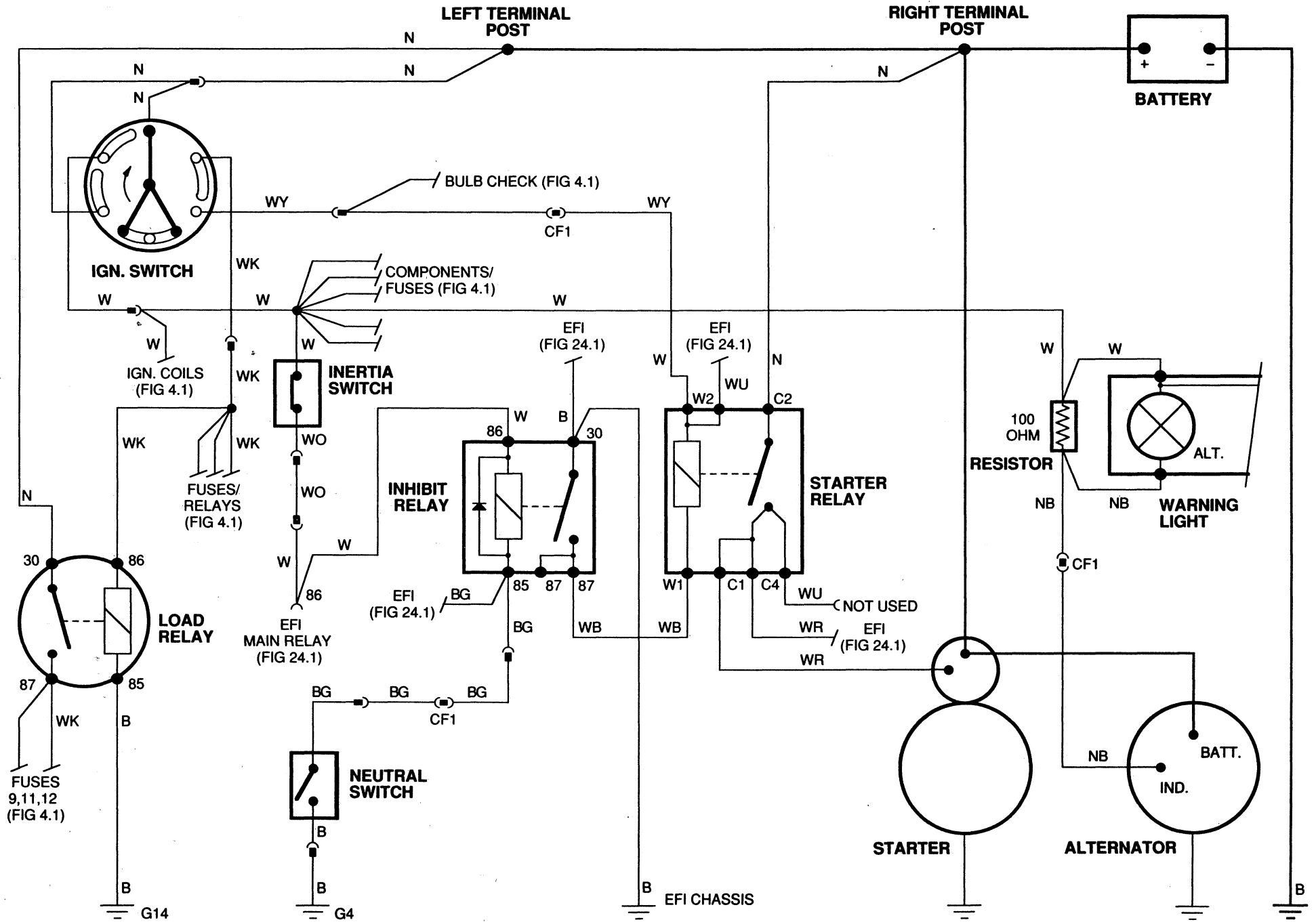
- G1 RIGHT FRONT INNER FENDER
- G2 RELAY CLUSTER
- G3 RIGHT "A" POST
- G4 CENTER SUPPORT RIGHT SIDE (BEHIND A/C)
- G5 RIGHT REAR WHEEL ARCH (UNDER REAR SEAT)
(NOT USED THROUGH 1987 MY)
- G6 TRUNK RIGHT SIDE
- G7 RIGHT REAR INNER FENDER
- G8 LEFT REAR INNER FENDER

- G9 REAR WINDOW-LEFT
- G10 LEFT REAR WHEEL ARCH (UNDER REAR SEAT)
(NOT USED THROUGH 1987 MY)
- G11 CENTER CONSOLE
- G12 CENTER SUPPORT LEFT SIDE (BEHIND A/C)
- G13 LEFT "A" POST
- G14 FRONT BULKHEAD (BEHIND INST. PANEL)
- G15 FRONT BULKHEAD (ENGINE SIDE)
- G16 LEFT FRONT INNER FENDER

FIG 1.2

CHASSIS GROUND POINTS

**XJ-S
THROUGH 1987**



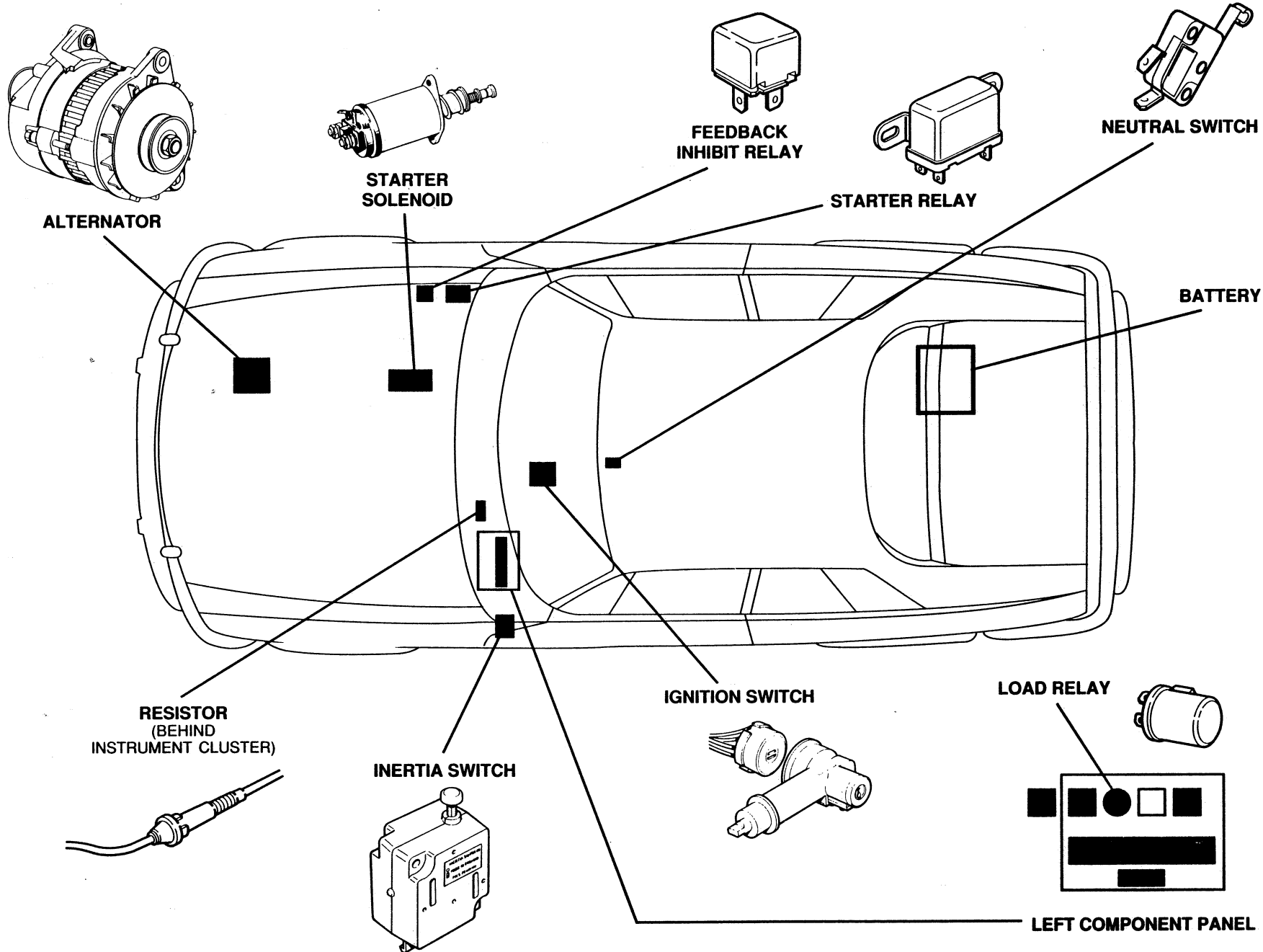


FIG 2.2

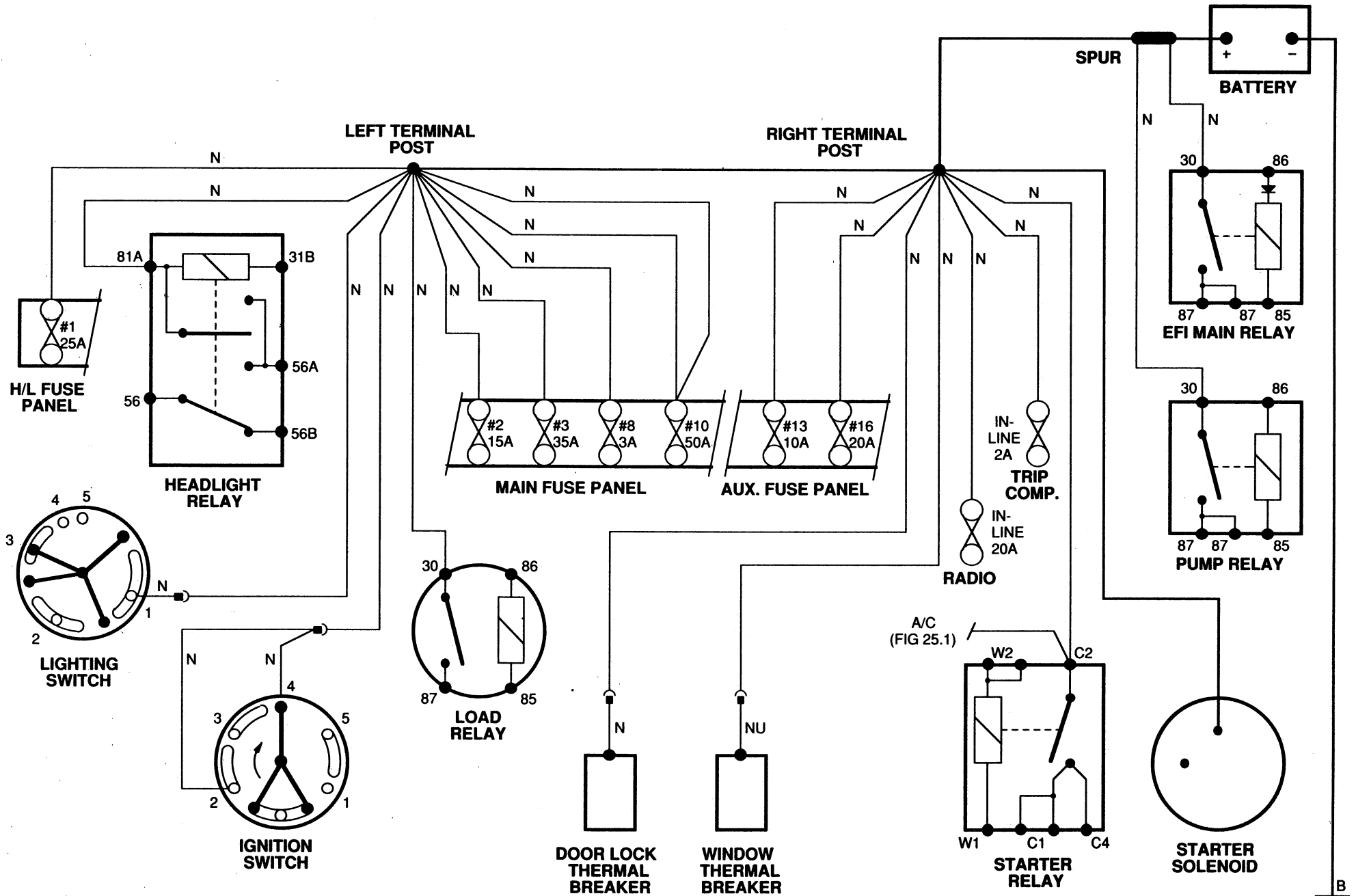
BATTERY; STARTER; ALTERNATOR

**XJ-S
THROUGH 1987**

FIG 3.1

POWER DISTRIBUTION—DIRECT BATTERY FEEDS

XJ-S
THROUGH 1987



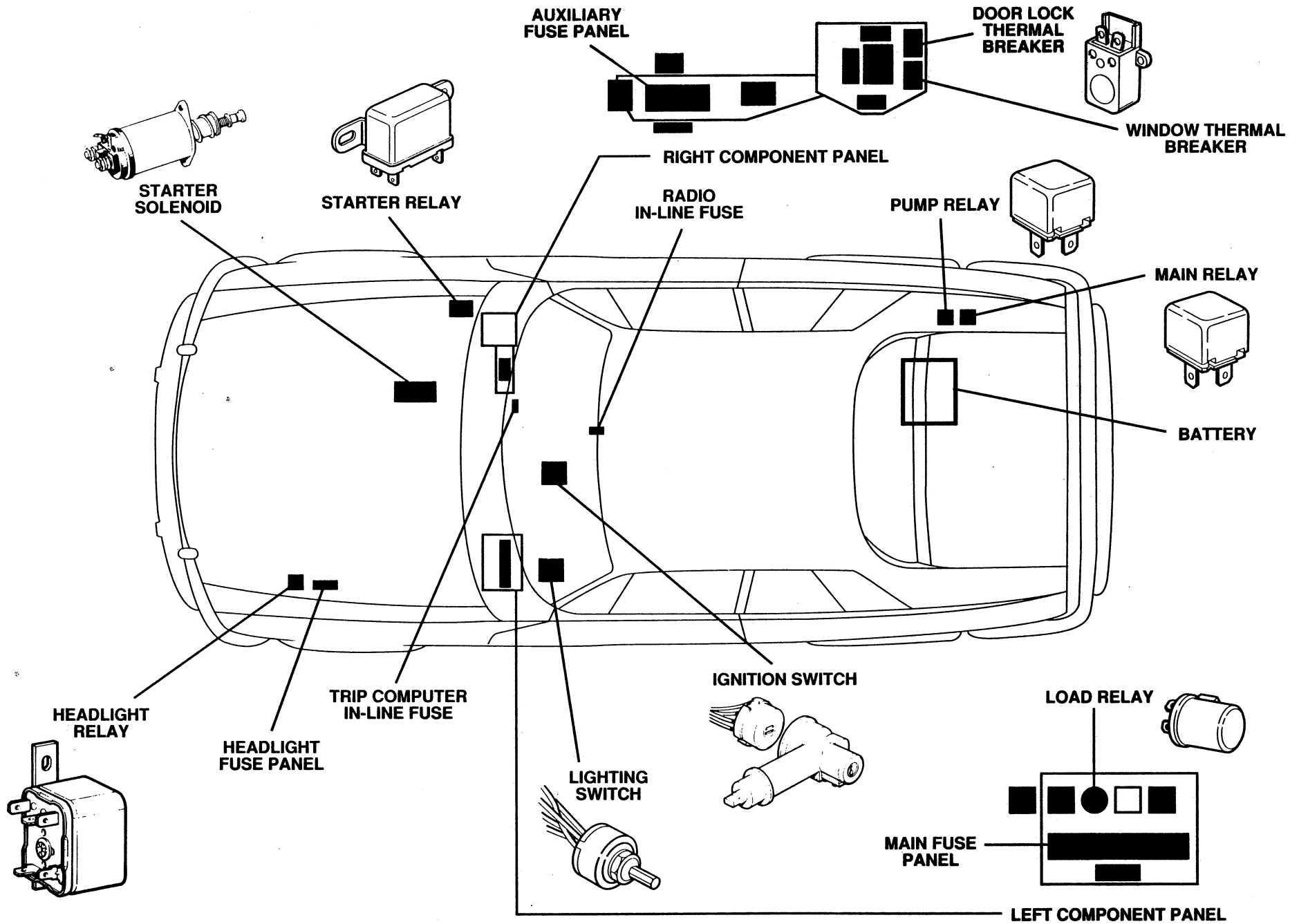


FIG 3.2

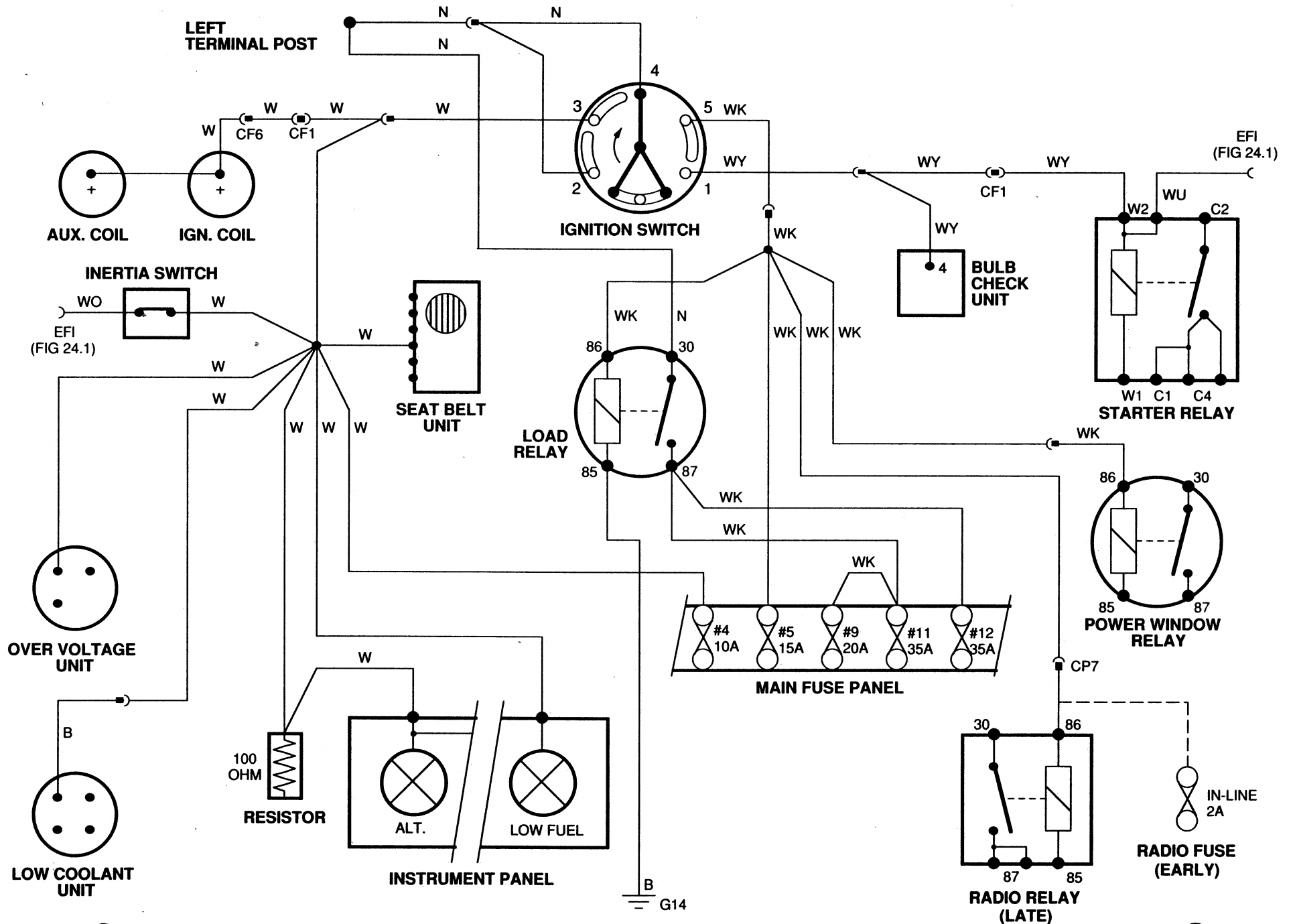
POWER DISTRIBUTION—DIRECT BATTERY FEEDS

XJ-S
THROUGH 1987

FIG 4.1

POWER DISTRIBUTION—IGNITION FEEDS

XJ-S
THROUGH 1987



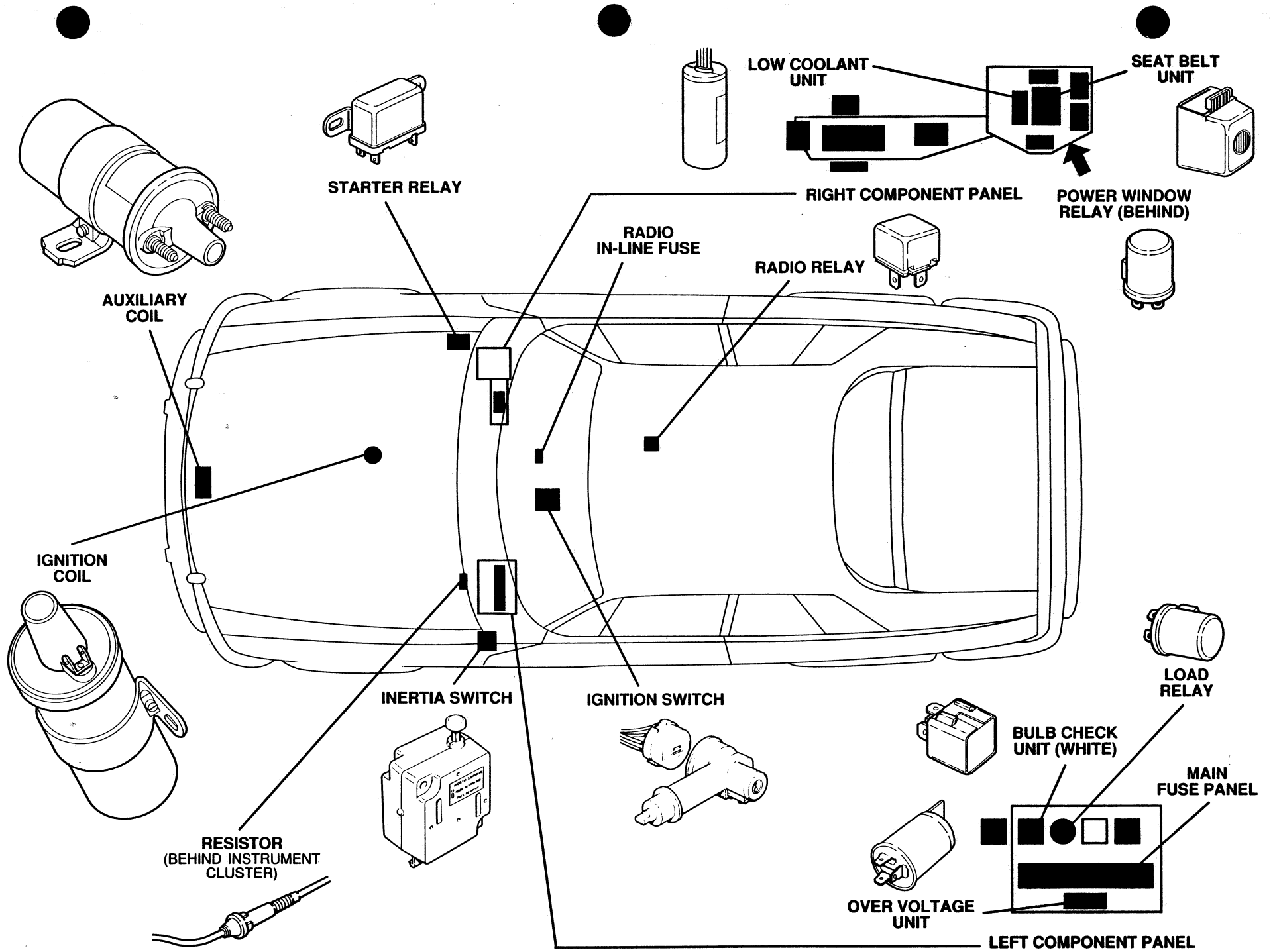
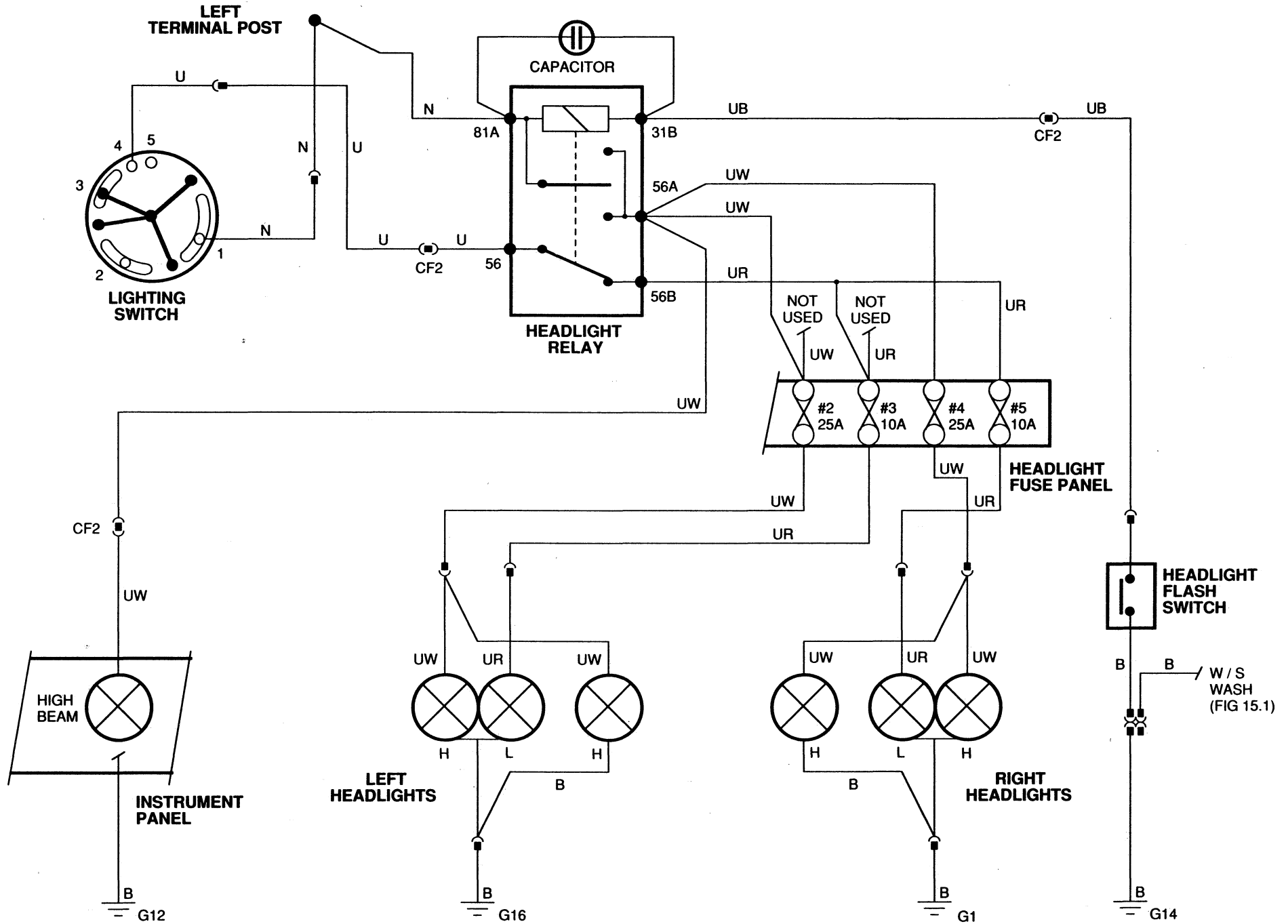


FIG 4.2

POWER DISTRIBUTION—IGNITION FEEDS

XJ-S
THROUGH 1987



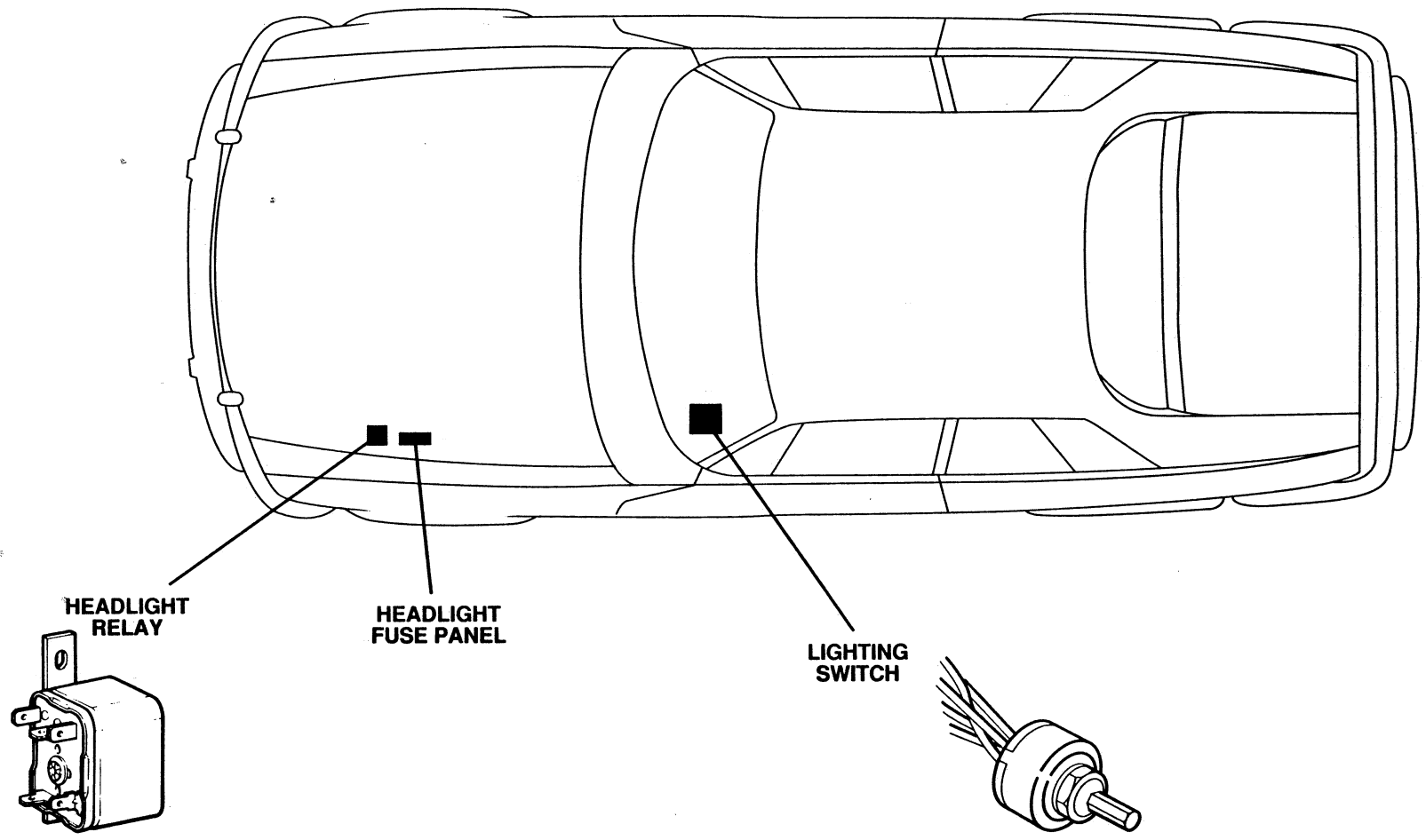
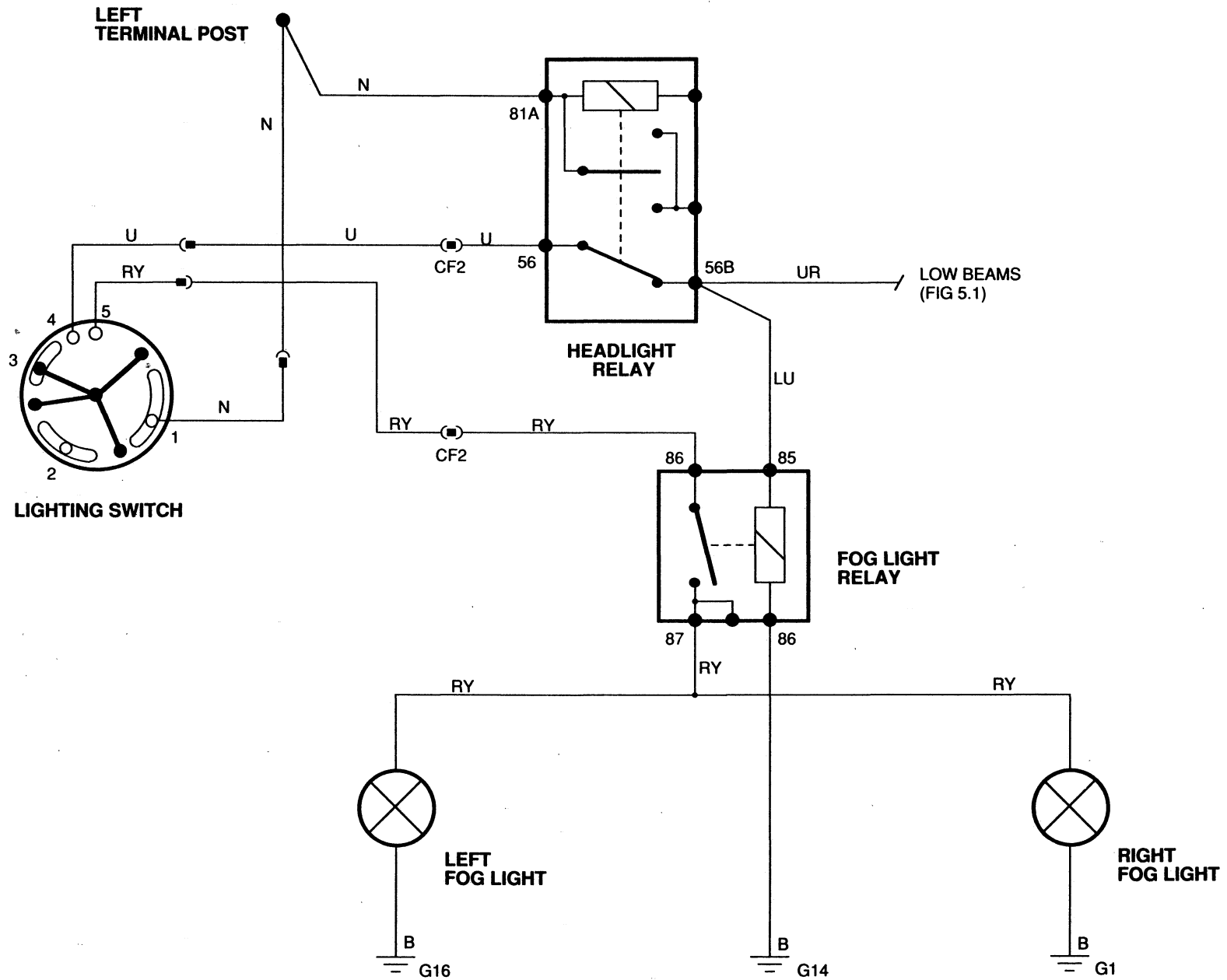


FIG 5.2

HEADLIGHTS

XJ-S
THROUGH 1987



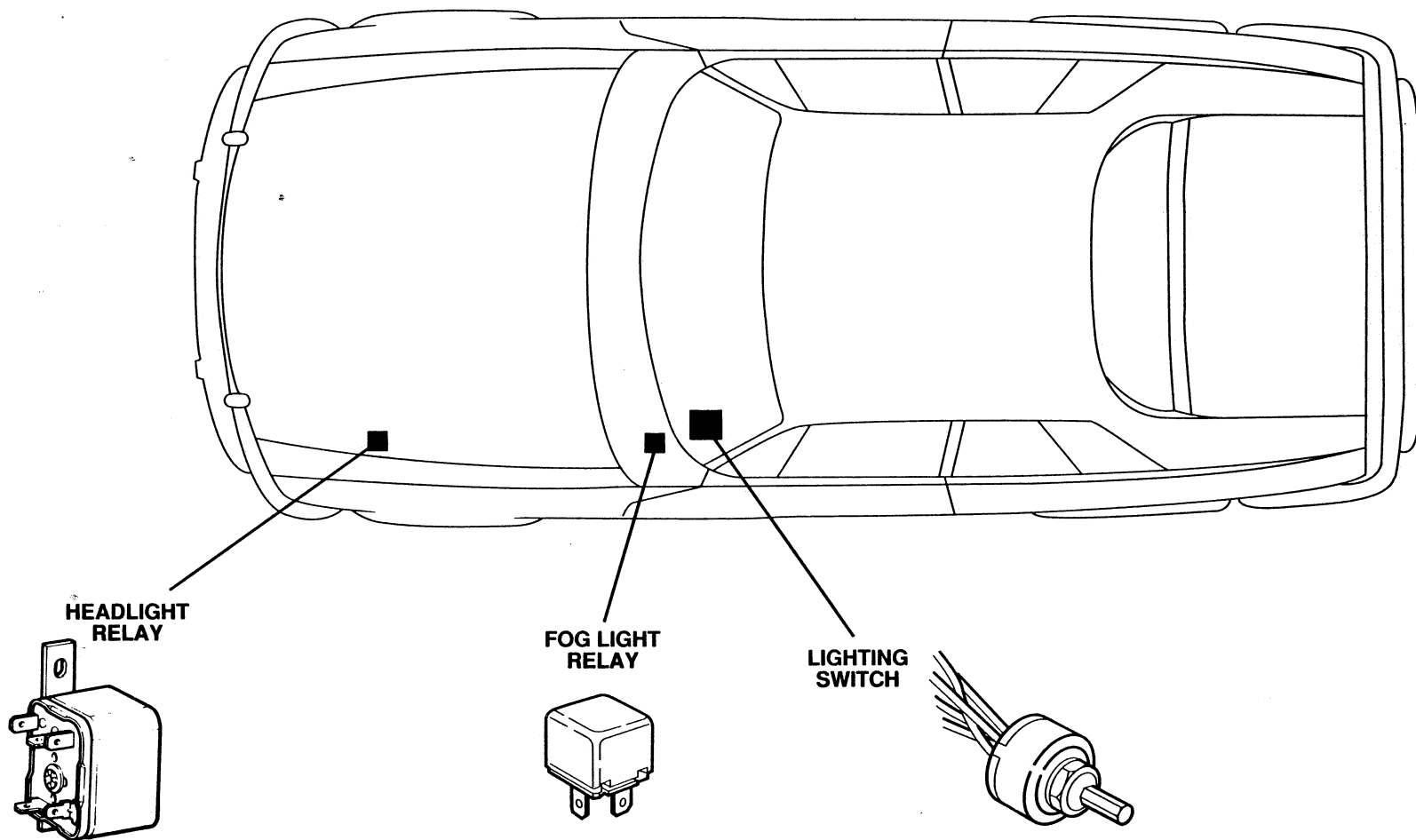


FIG 6.2

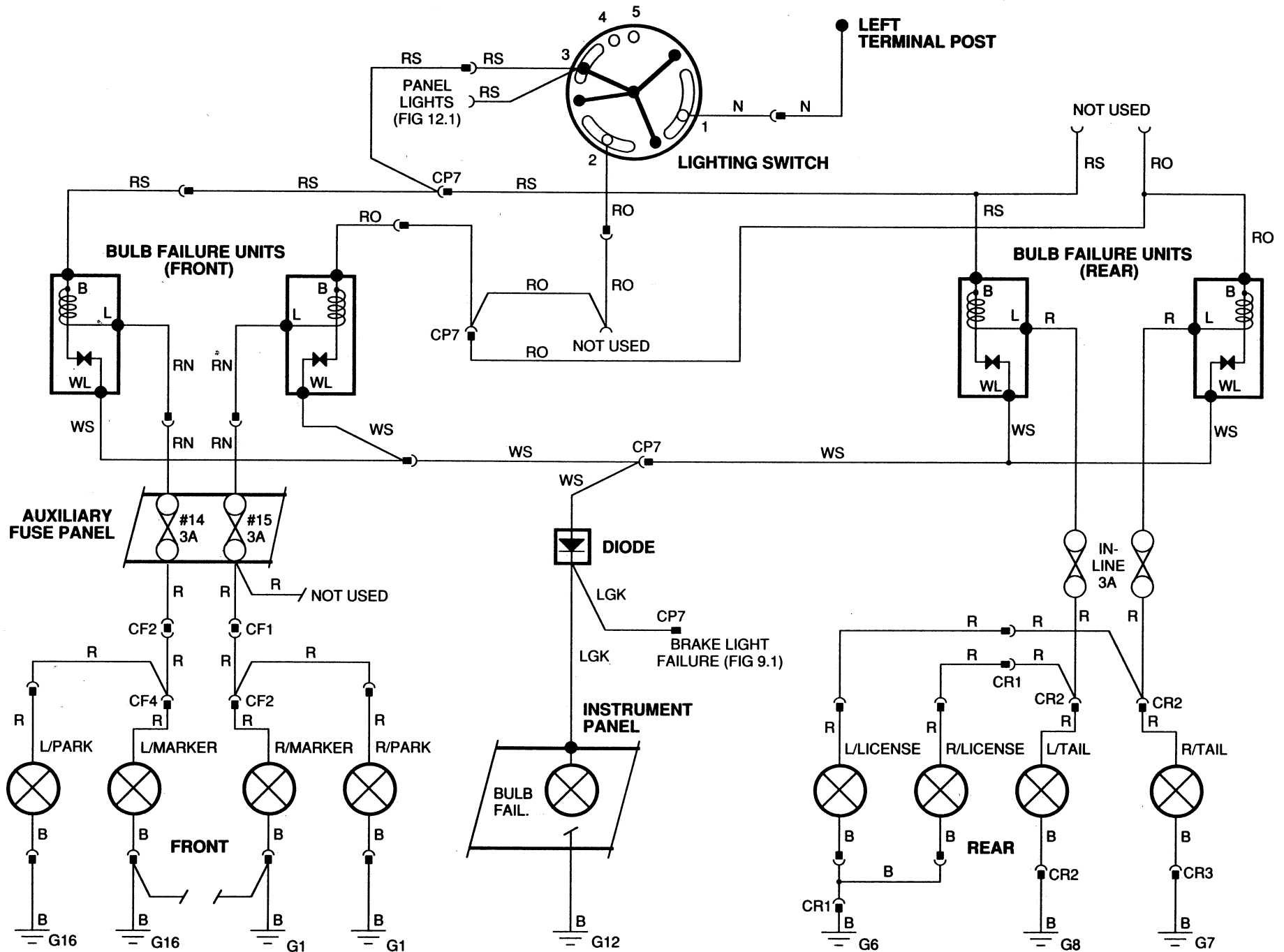
FOG LIGHTS

XJ-S
THROUGH 1987

FIG 7.1

PARKING LIGHTS; MARKER LIGHTS

XJ-S
THROUGH 1987



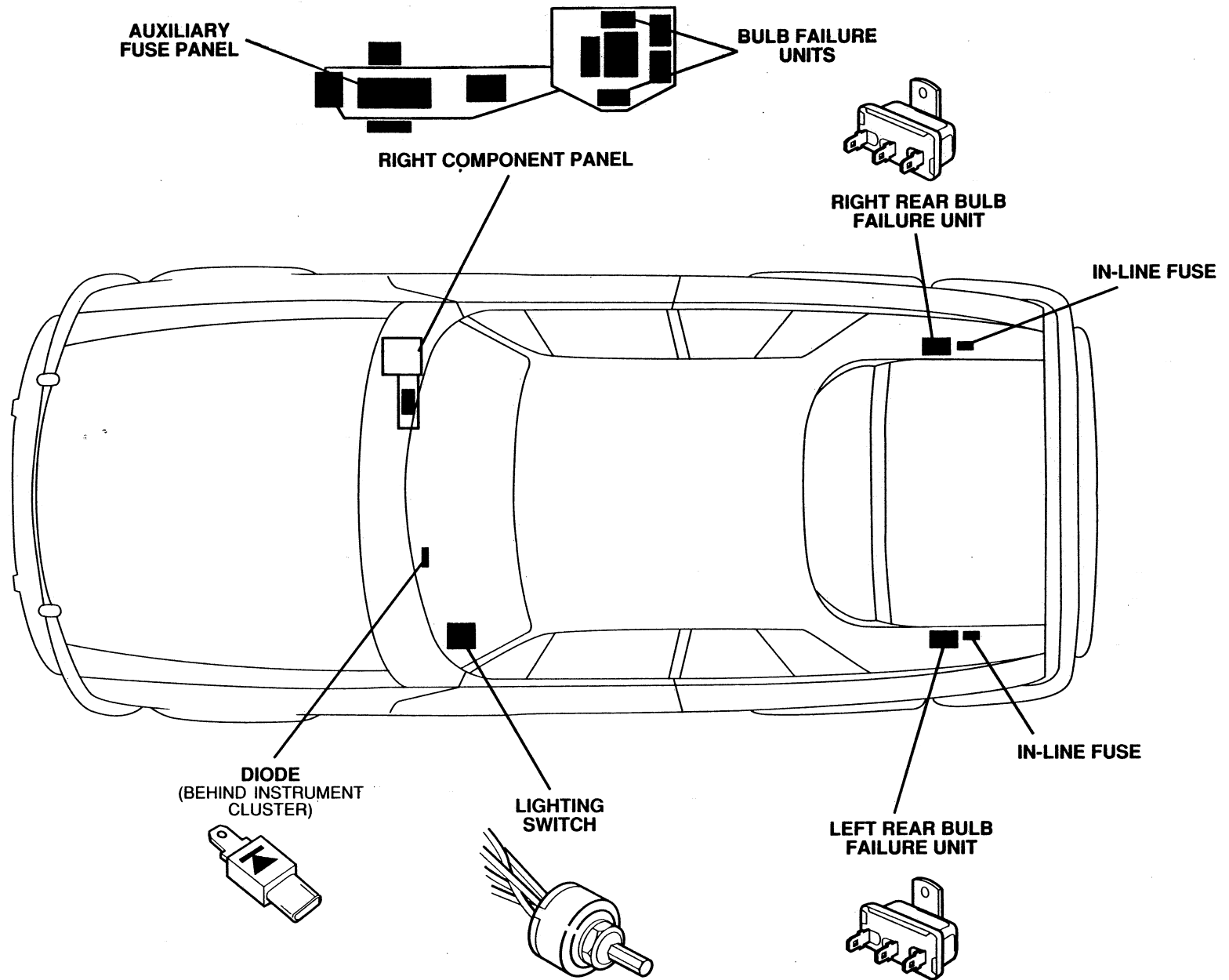
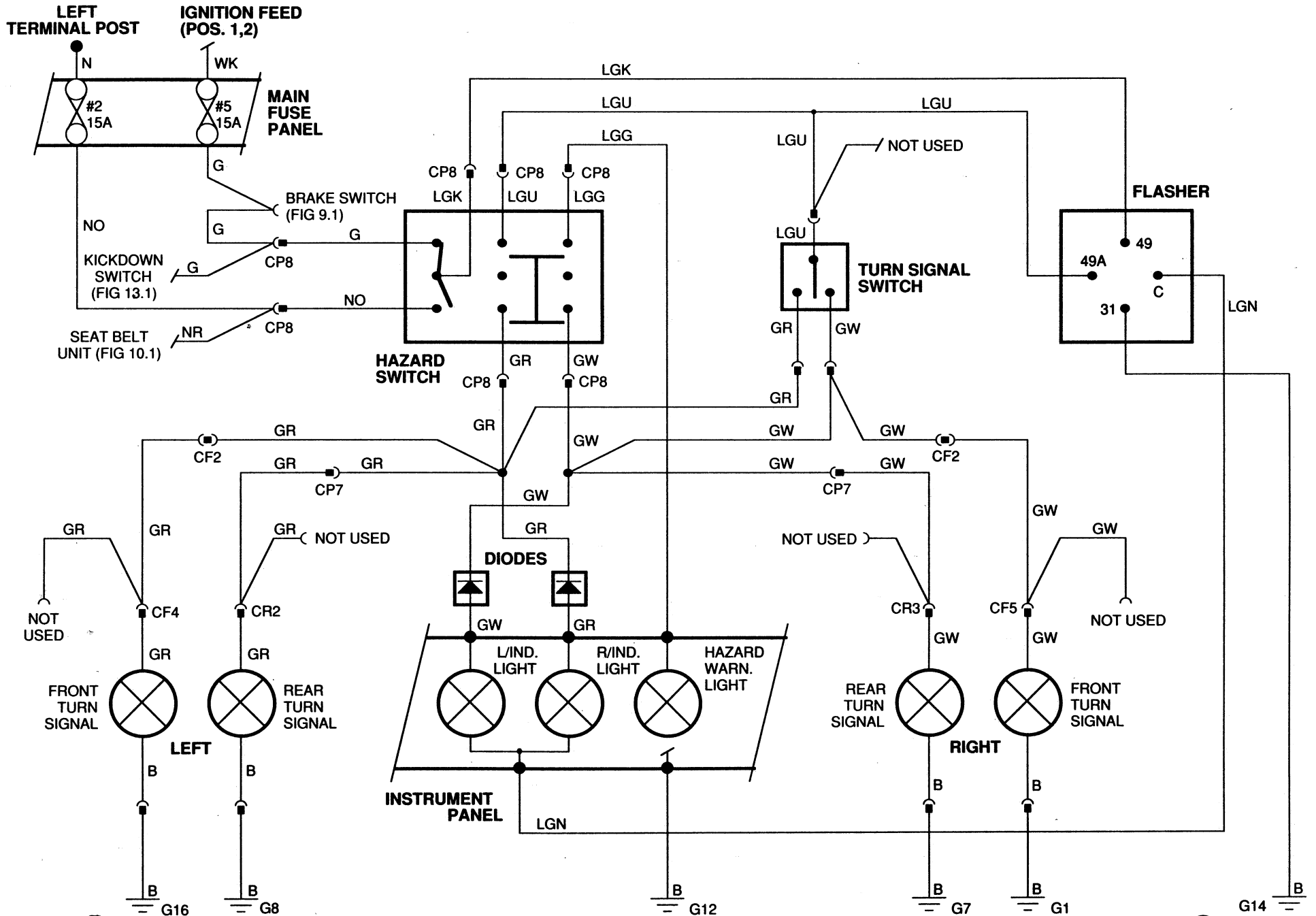


FIG 7.2

PARKING LIGHTS; MARKER LIGHTS

XJ-S
THROUGH 1987



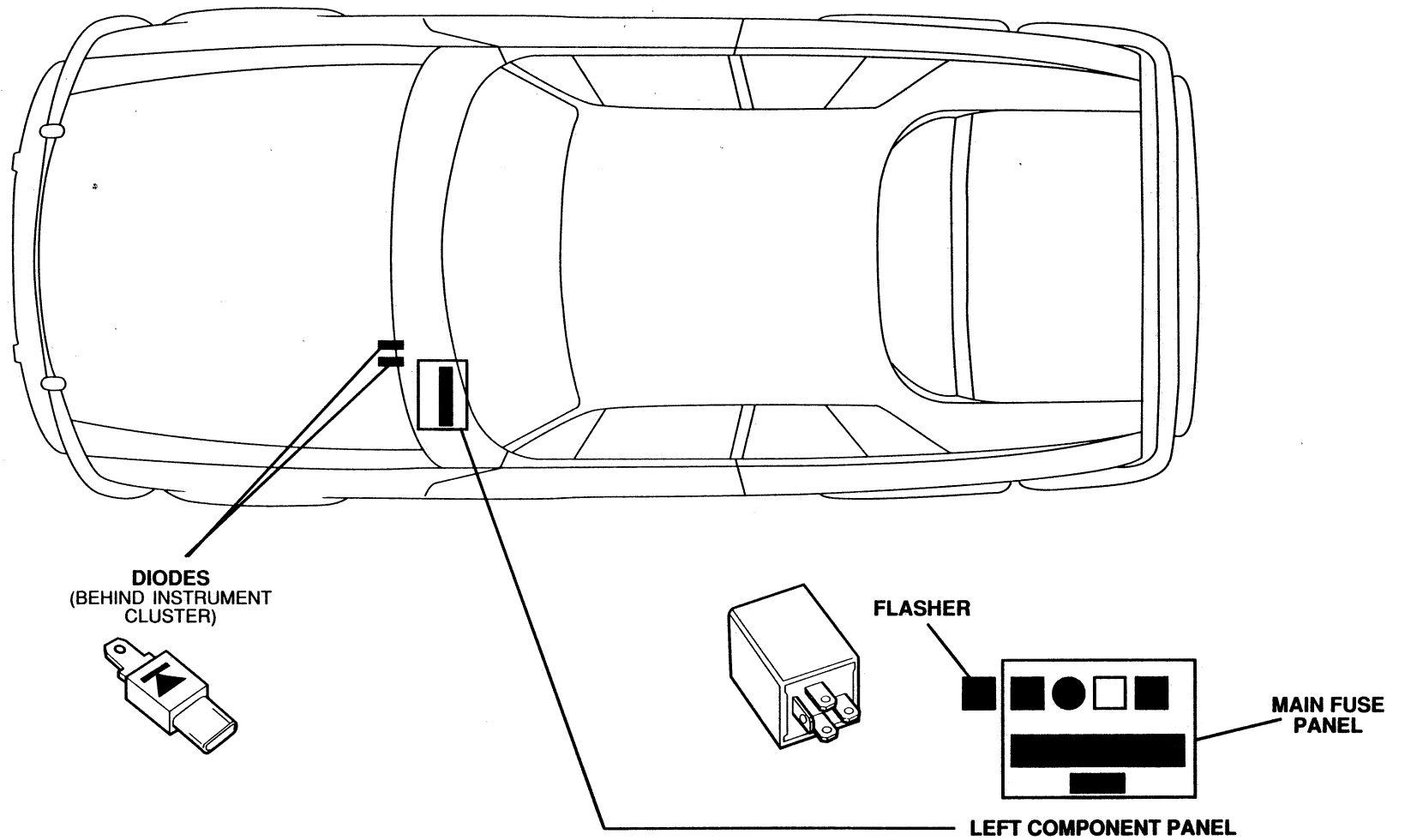
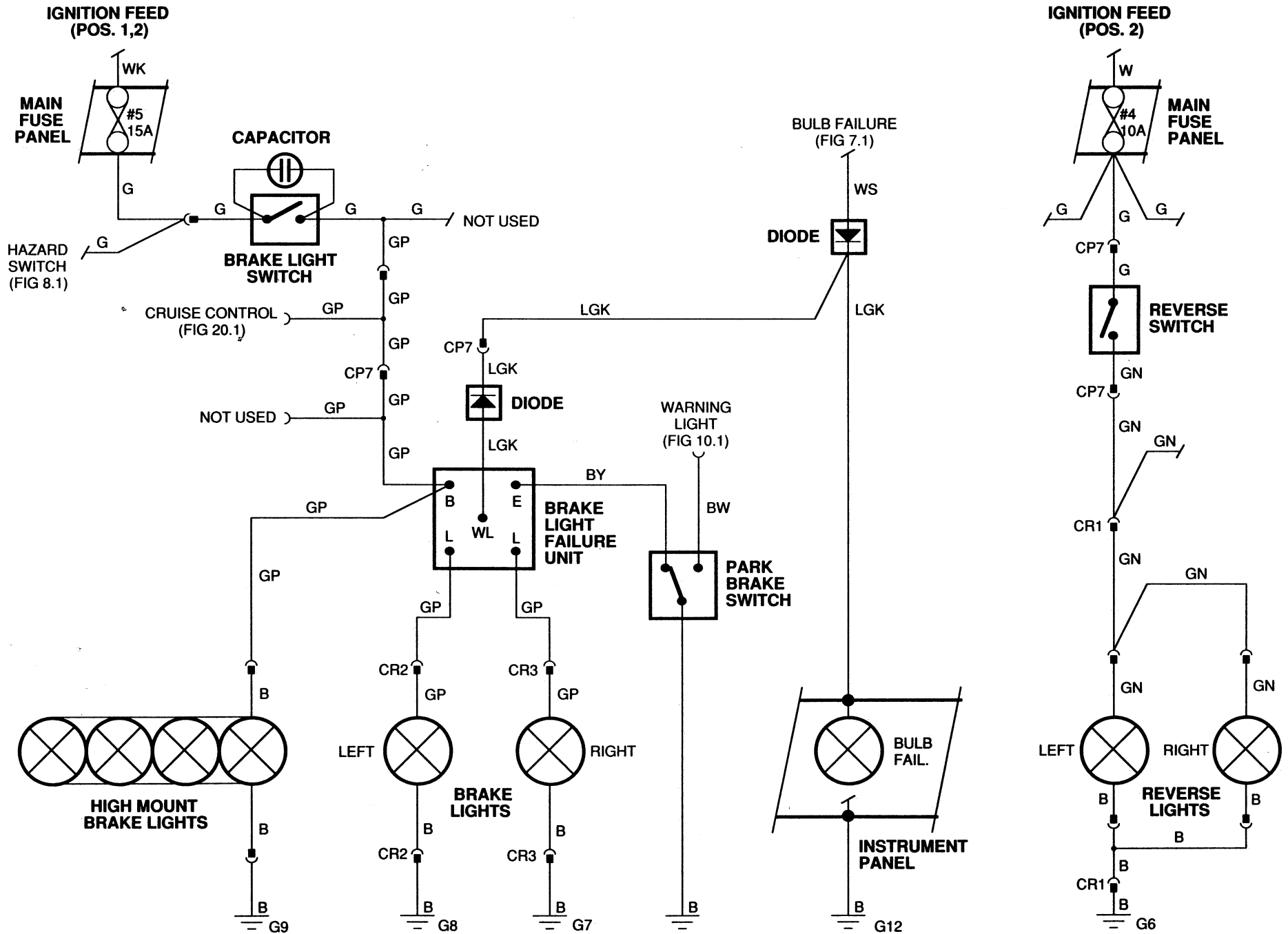


FIG 8.2

HAZARD; TURN SIGNALS

XJ-S
THROUGH 1987



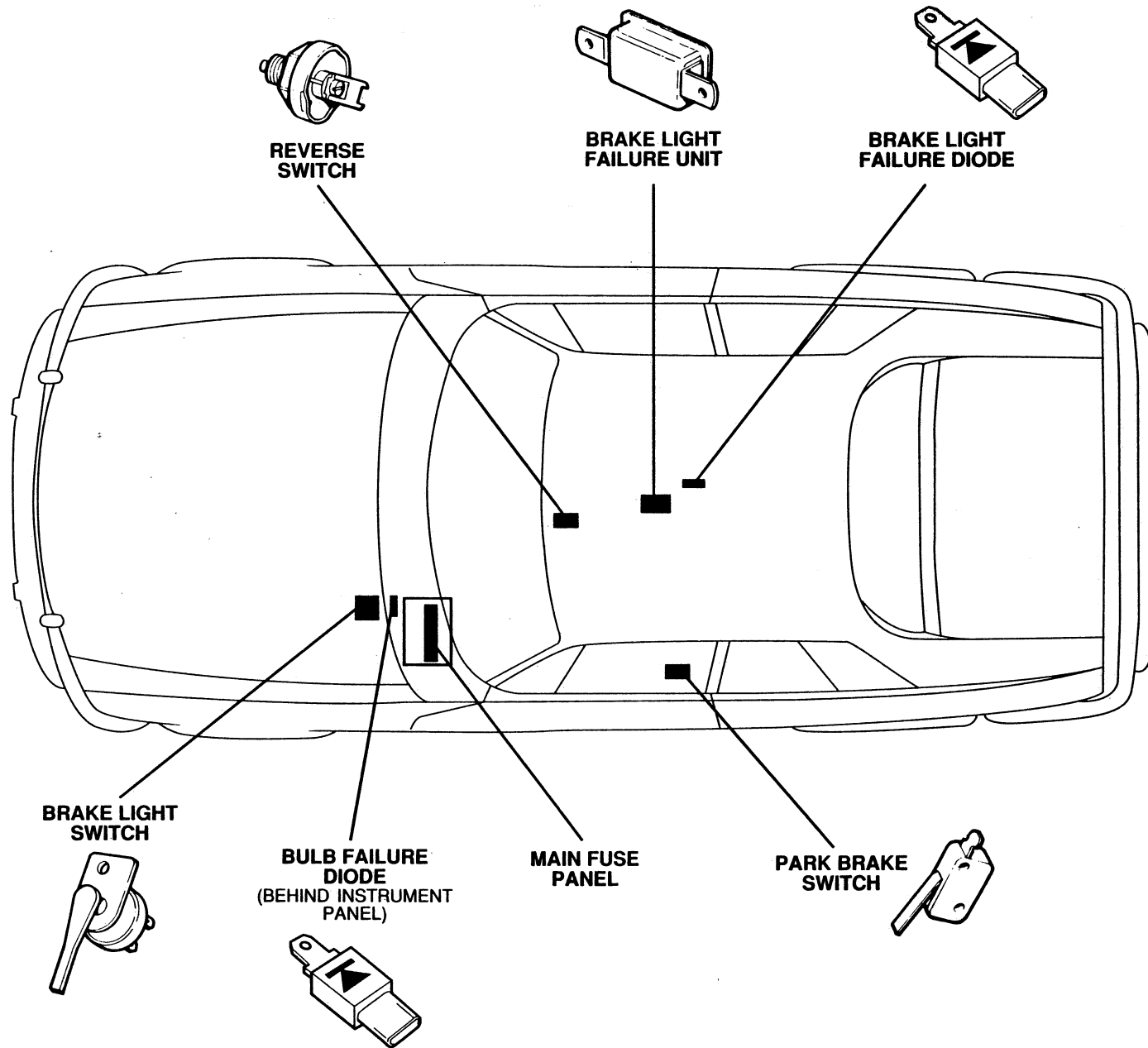
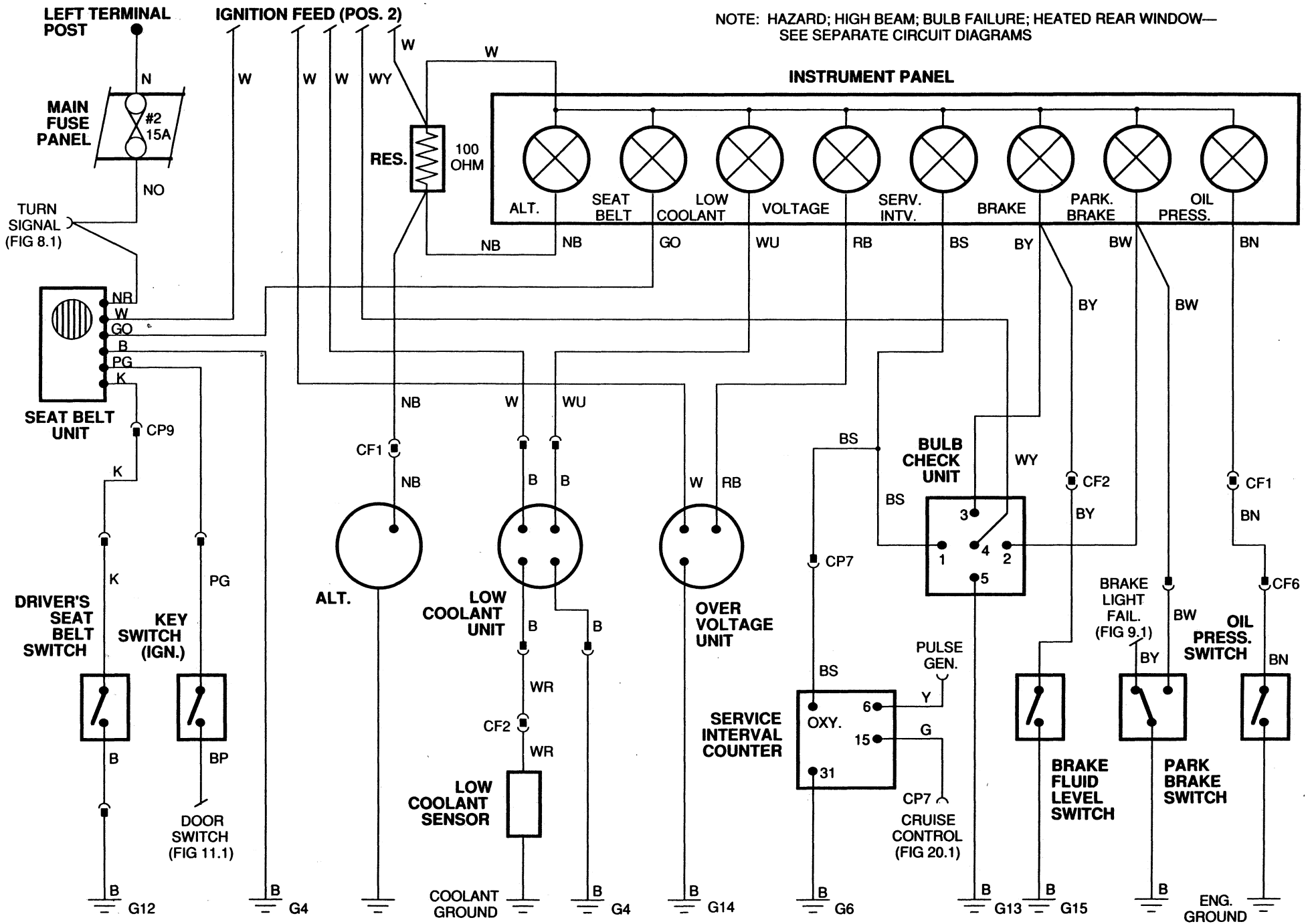


FIG 9.2

BRAKE LIGHTS; REVERSE LIGHTS

XJ-S
THROUGH 1987



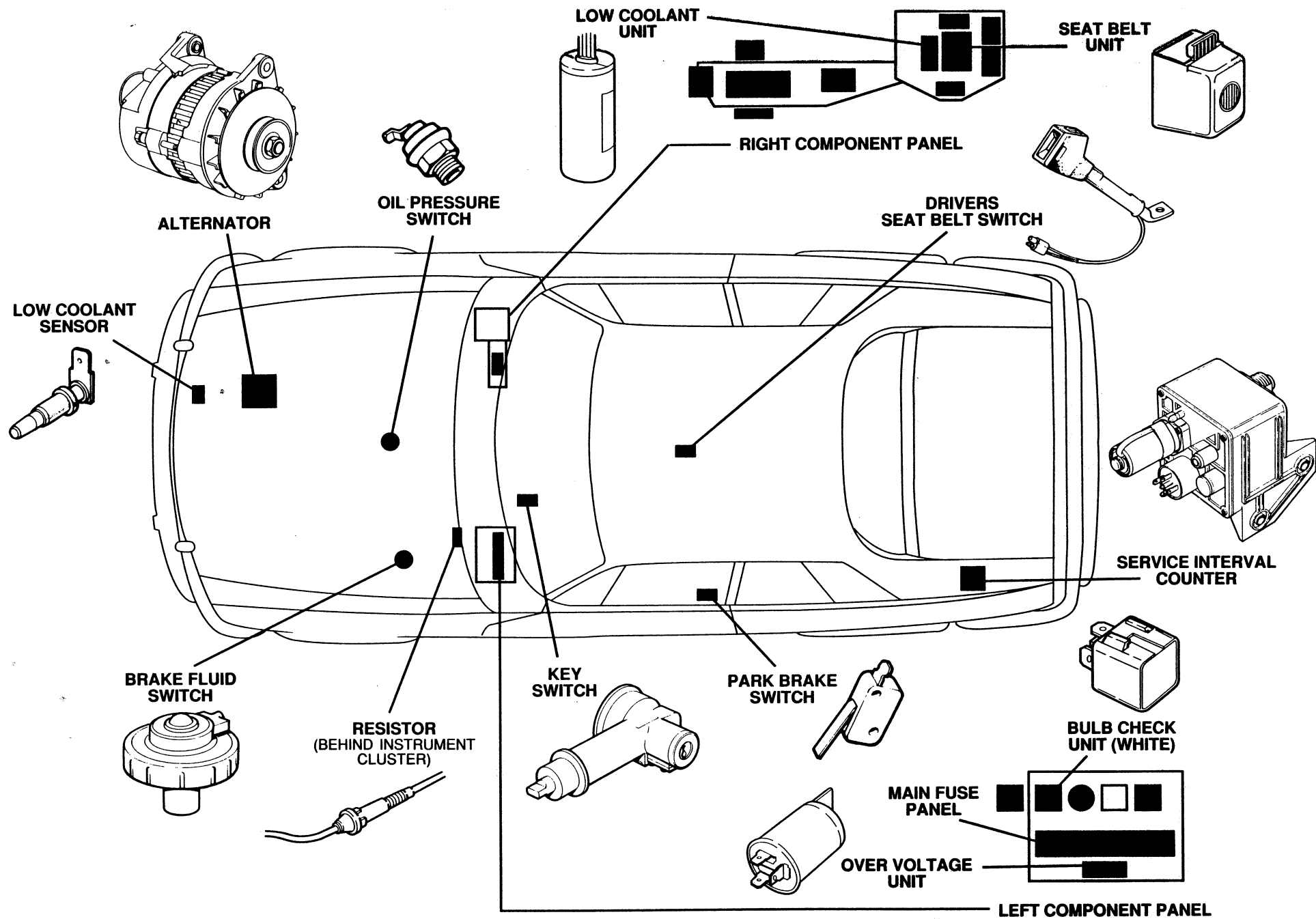
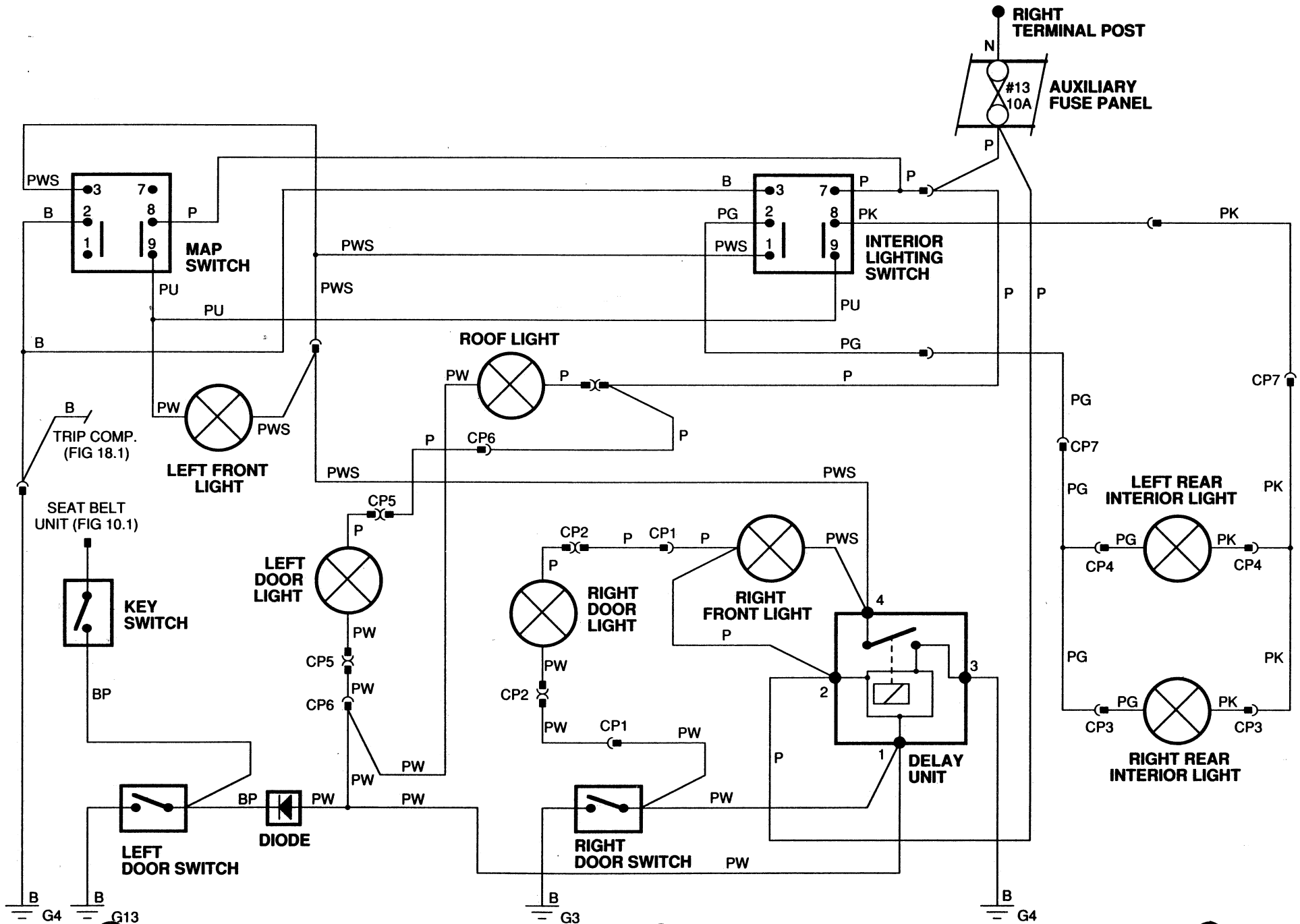


FIG 10.2

WARNING LIGHTS

XJ-S
THROUGH 1987



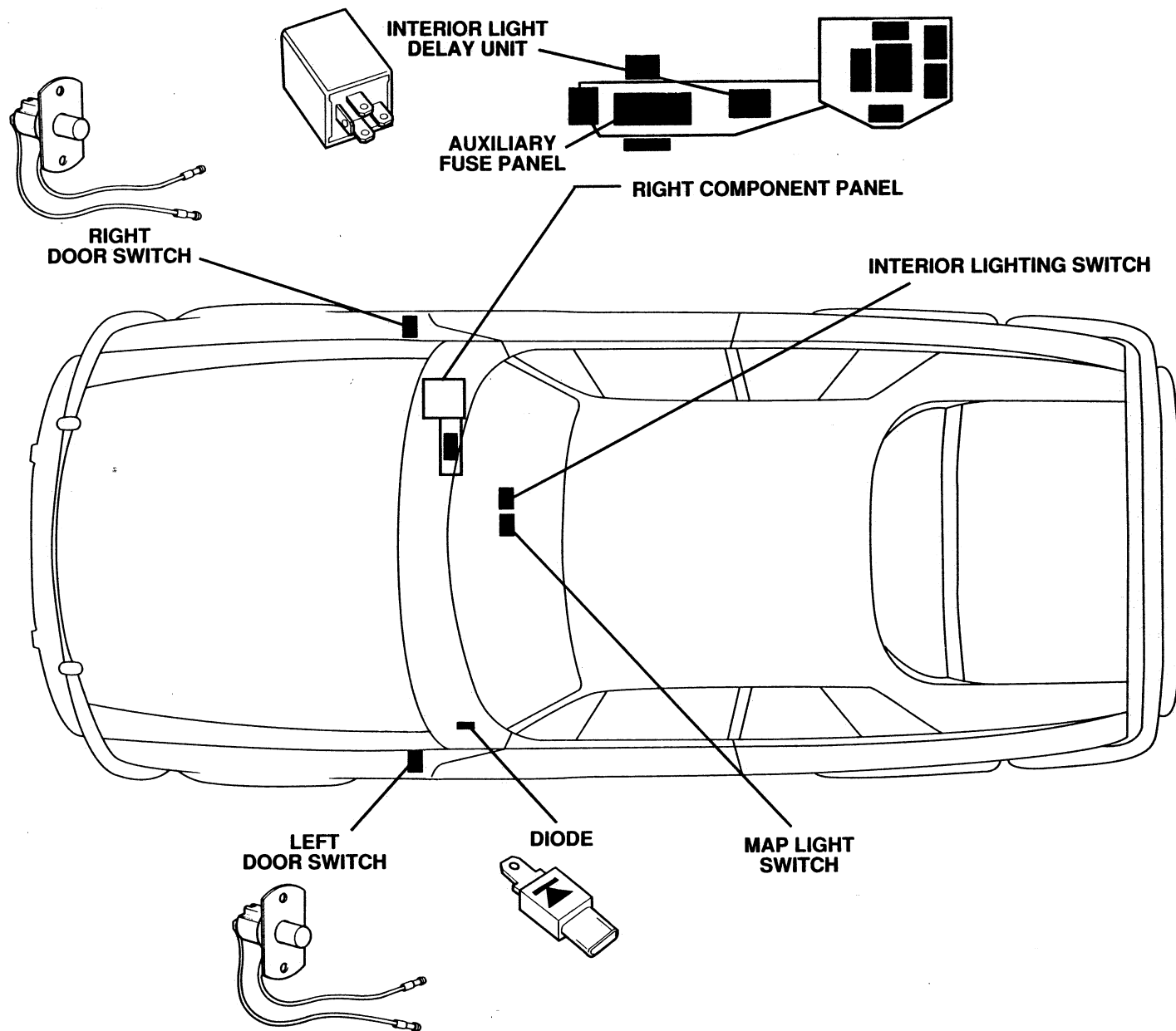
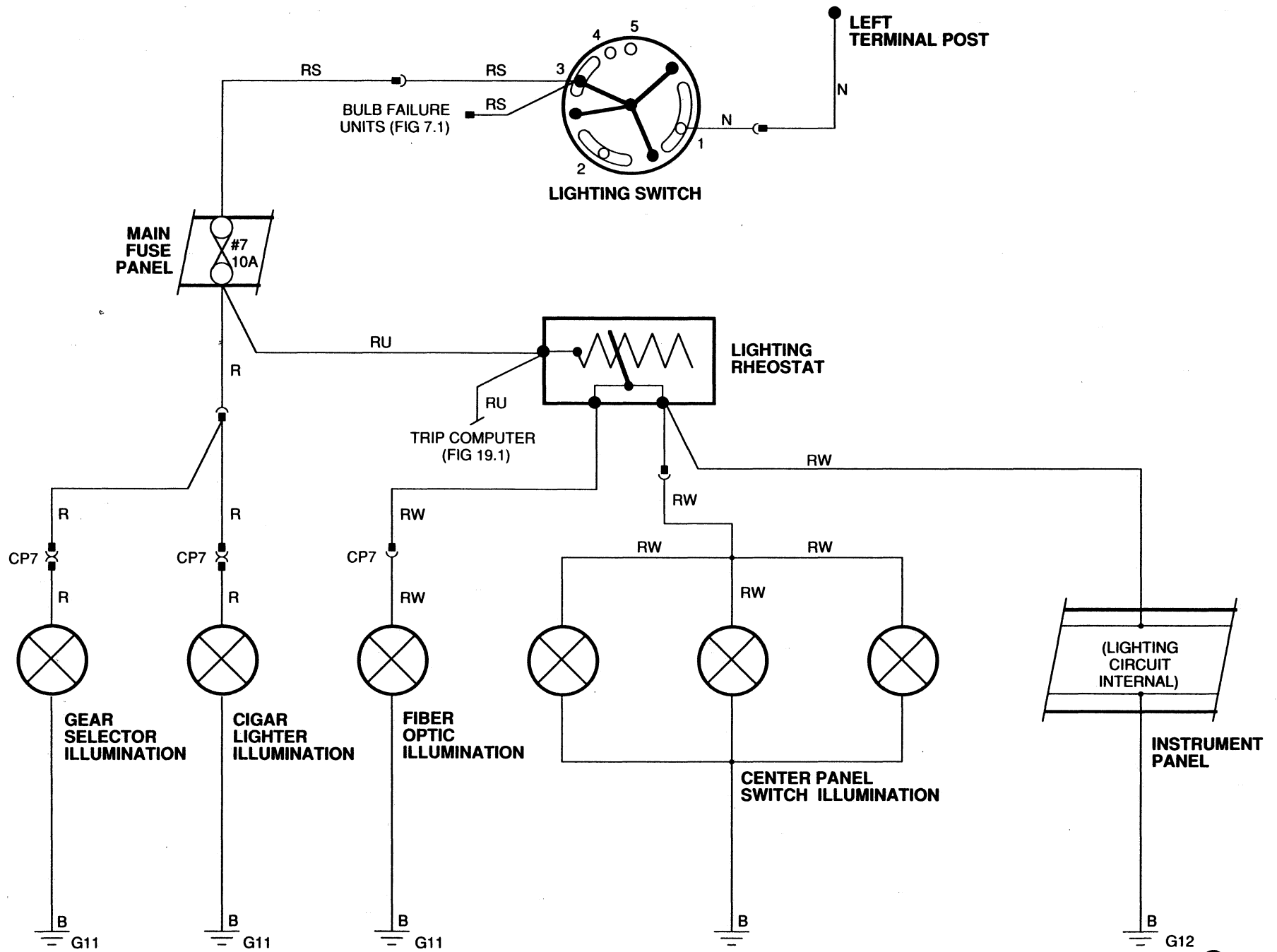


FIG 11.2

INTERIOR LIGHTING

XJ-S
THROUGH 1987



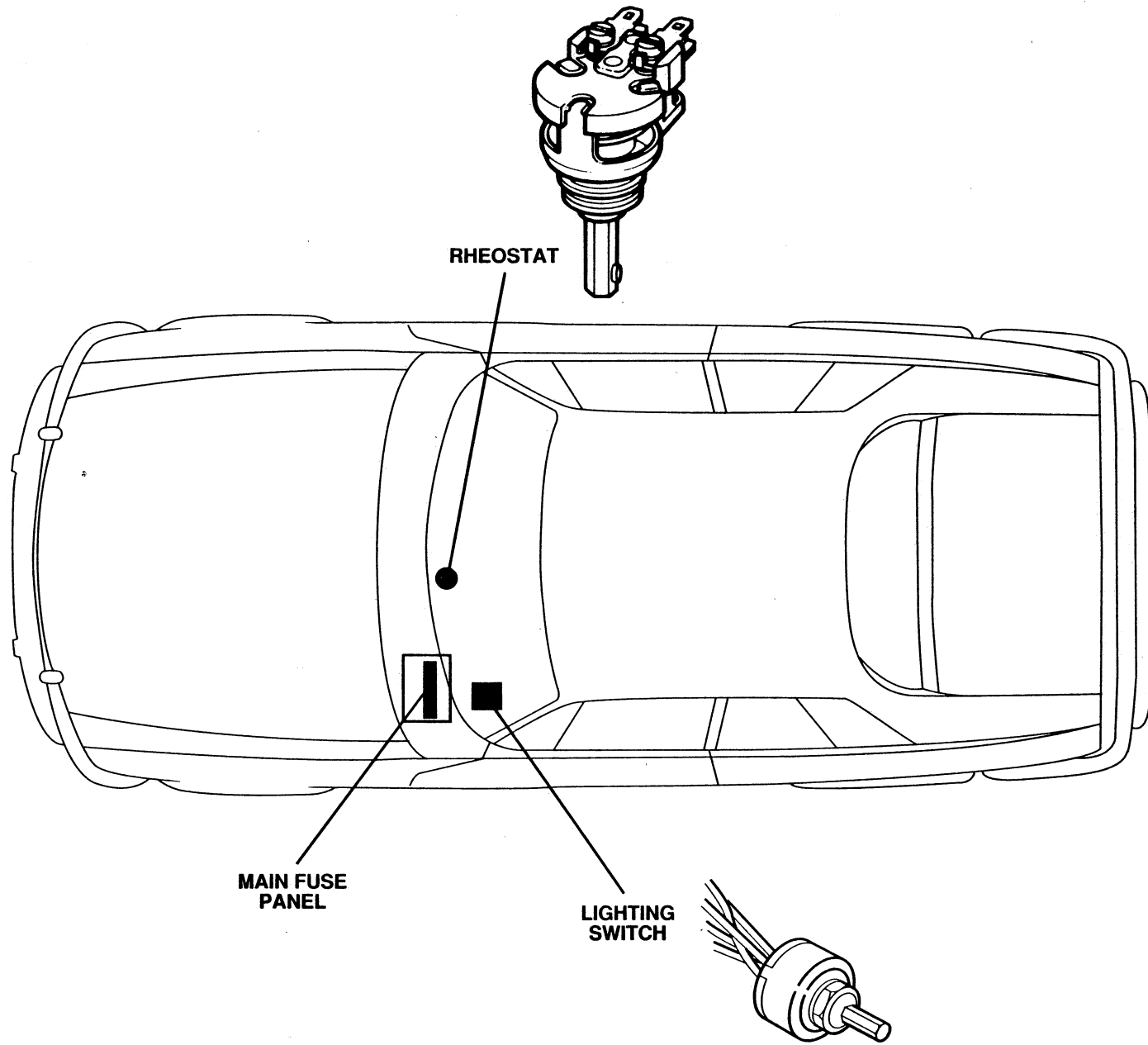


FIG 12.2

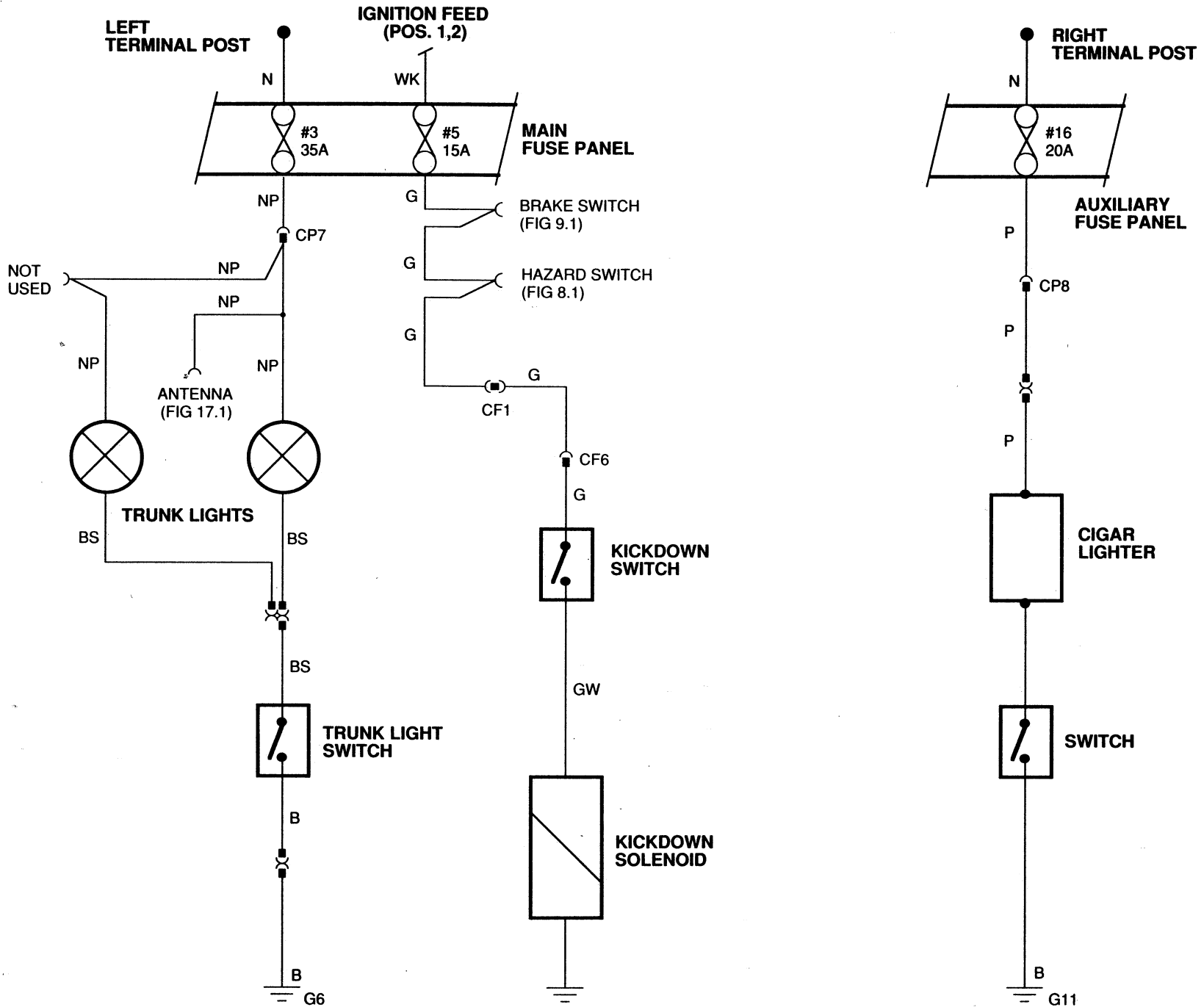
PANEL LIGHTS

XJ-S
THROUGH 1987

FIG 13.1

TRUNK LIGHTS; TRANSMISSION KICKDOWN; CIGAR LIGHTER

XJ-S
THROUGH 1987



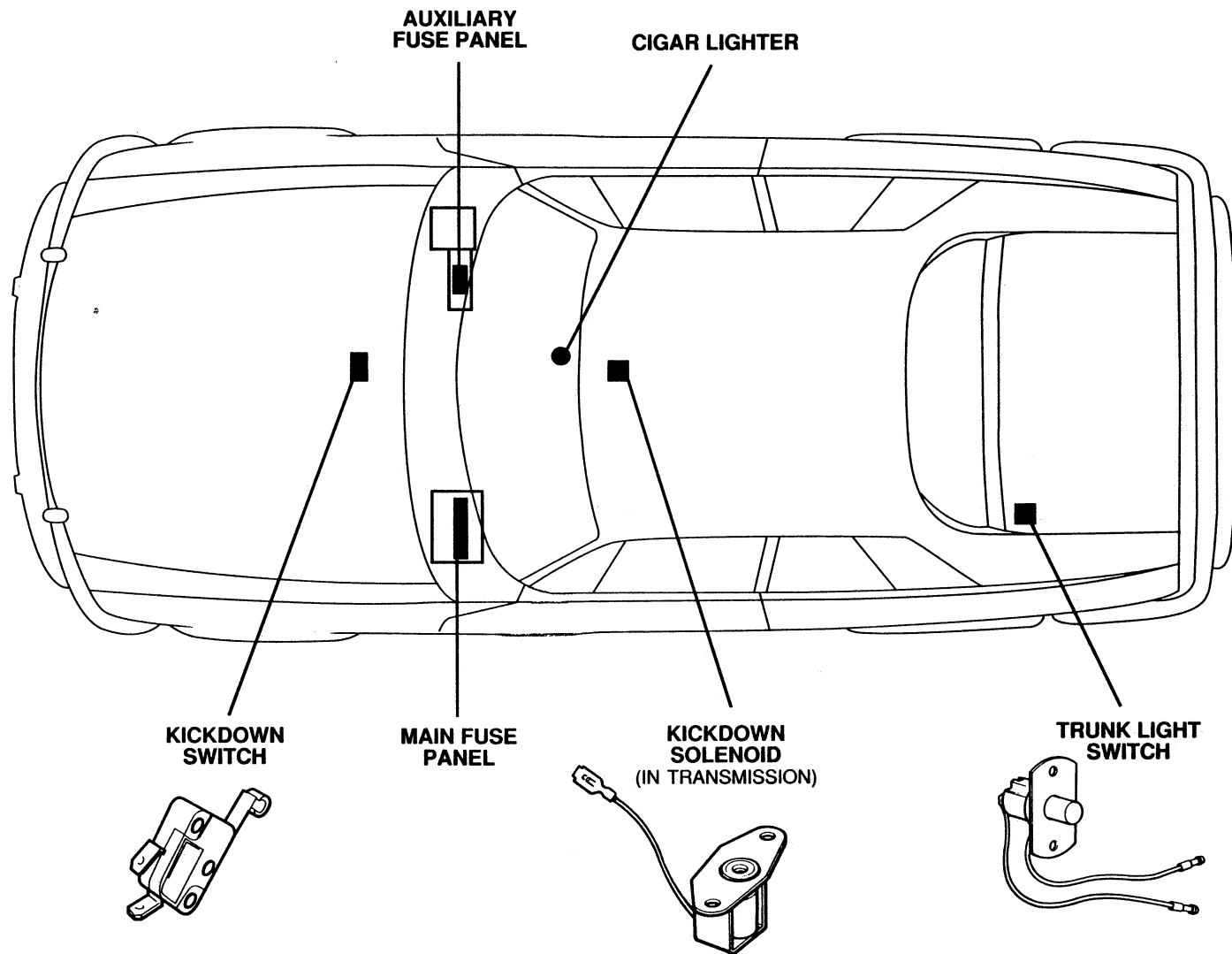
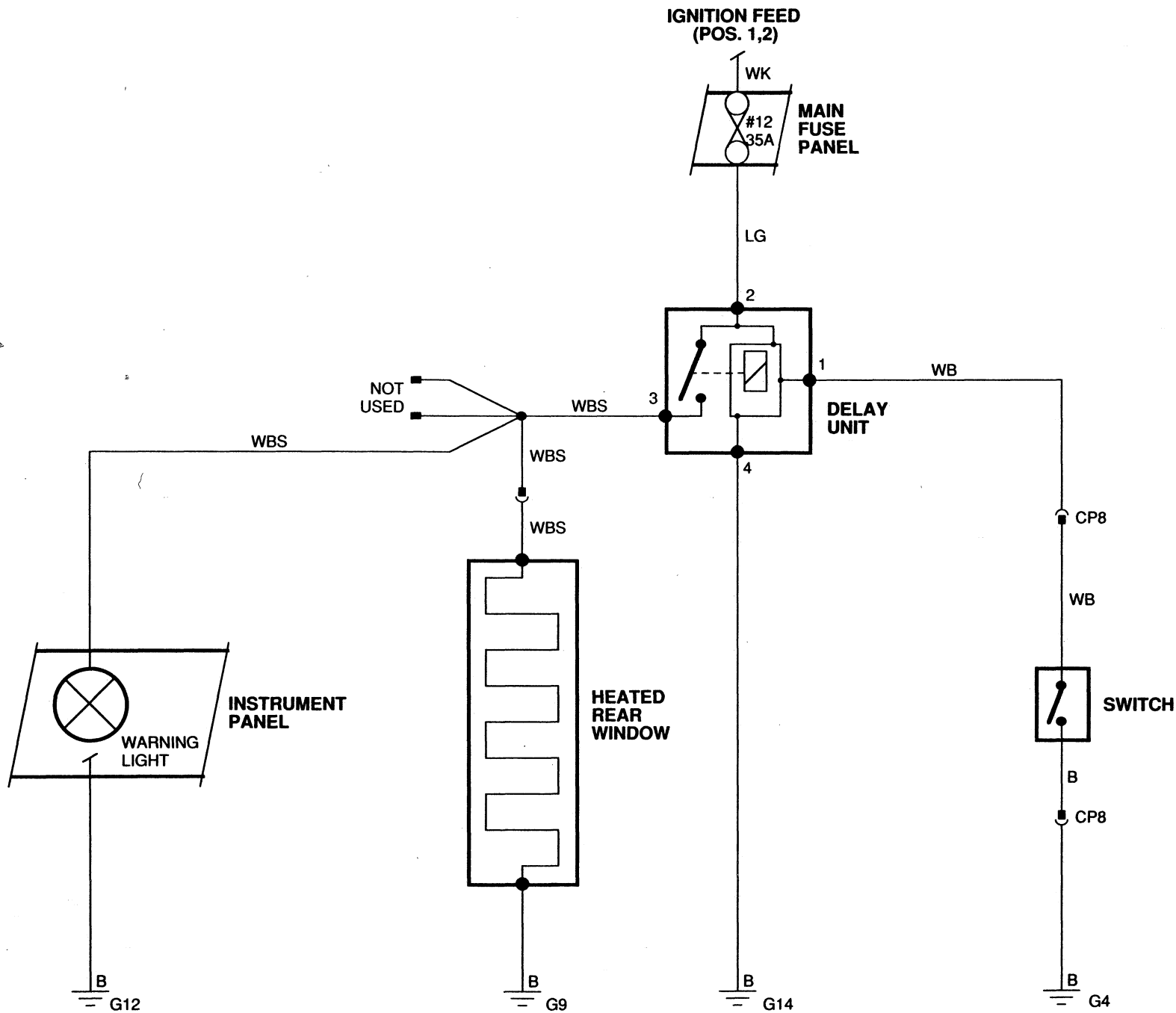


FIG 13.2

TRUNK LIGHTS; TRANSMISSION KICKDOWN; CIGAR LIGHTER

XJ-S
THROUGH 1987



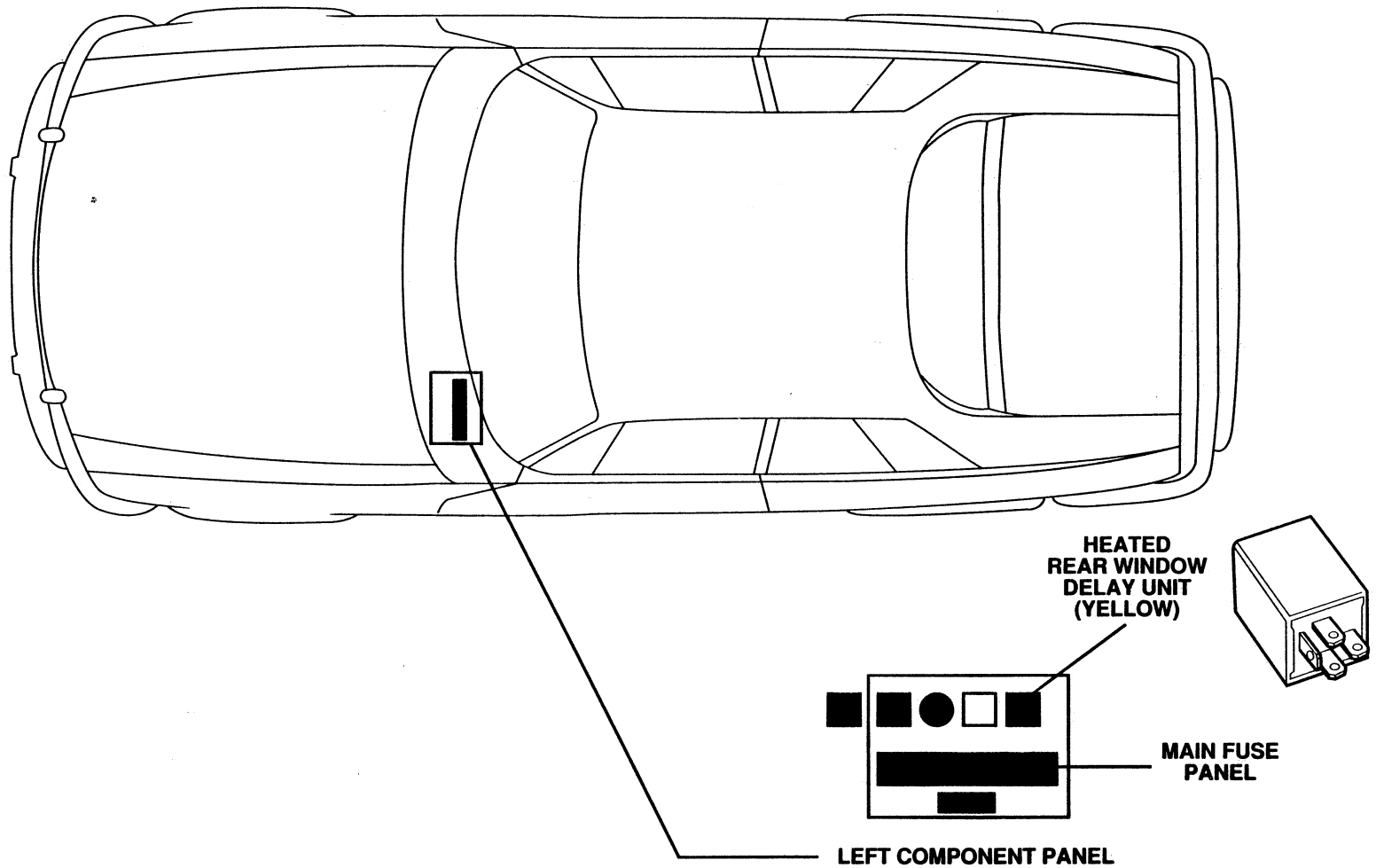
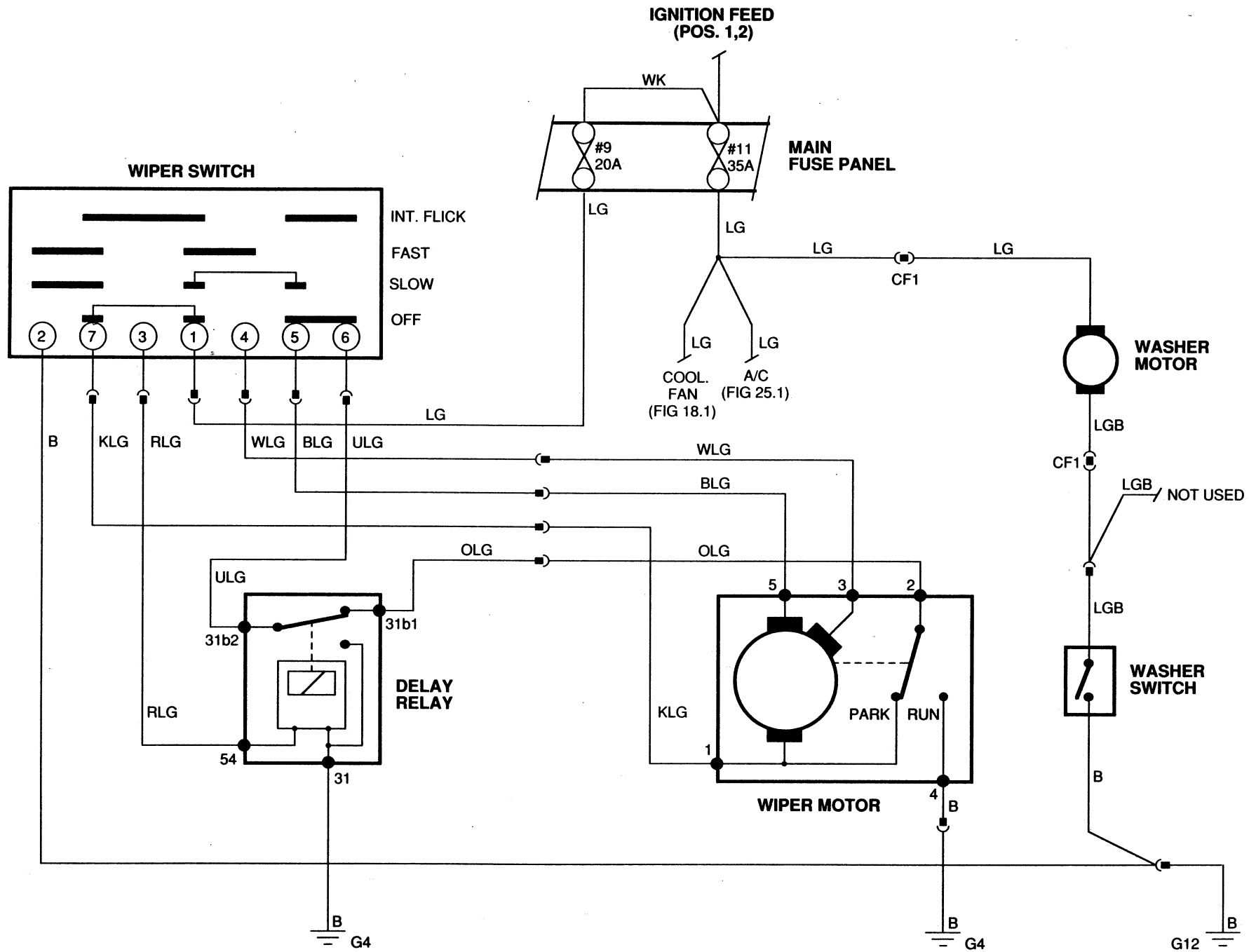
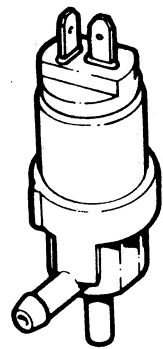


FIG 14.2

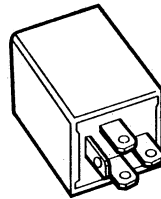
HEATED REAR WINDOW

XJ-S
THROUGH 1987

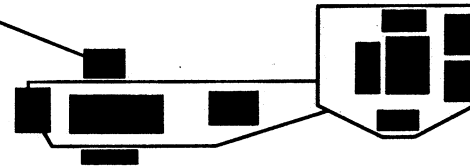




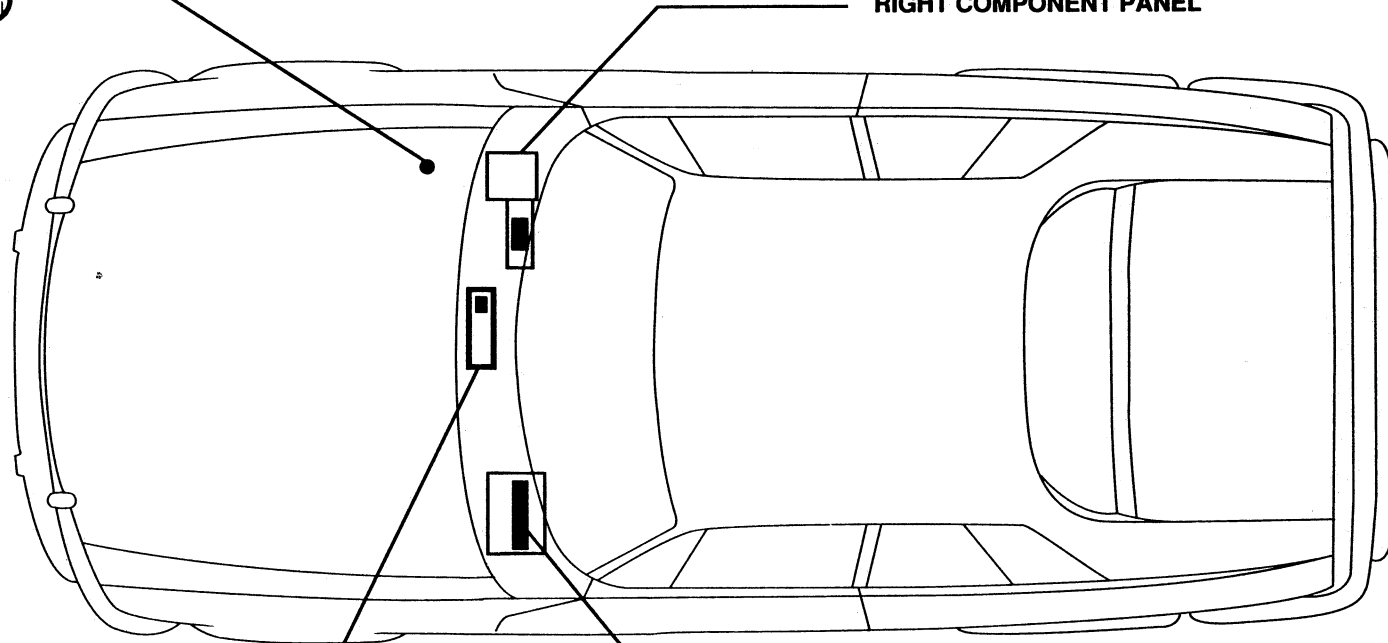
WASHER PUMP



WIPER DELAY UNIT (BLUE)



RIGHT COMPONENT PANEL



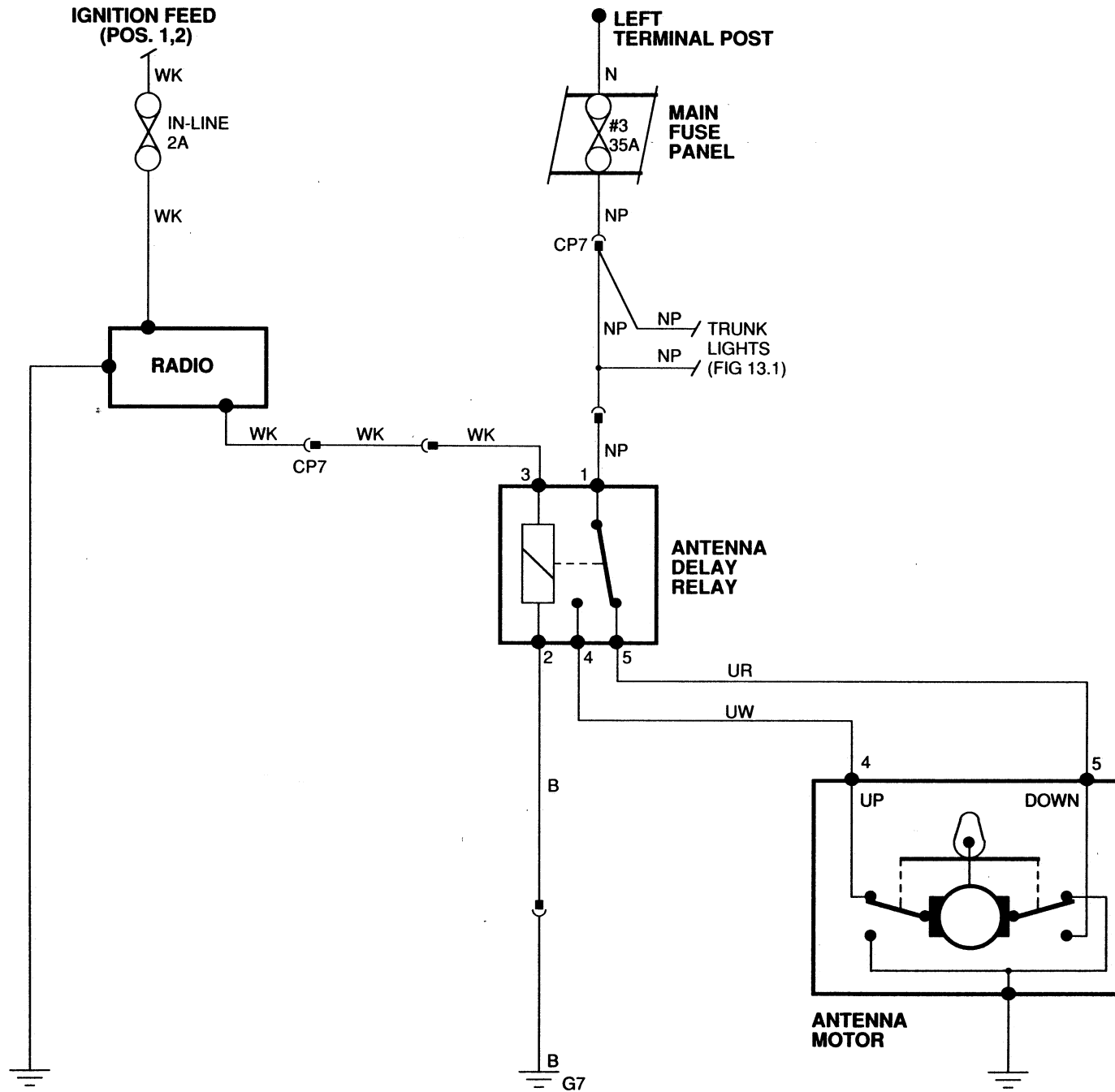
WIPER UNIT (MOTOR)

MAIN FUSE PANEL

FIG 15.2

WINDSHIELD WIPERS, WASHER

XJ-S
THROUGH 1987



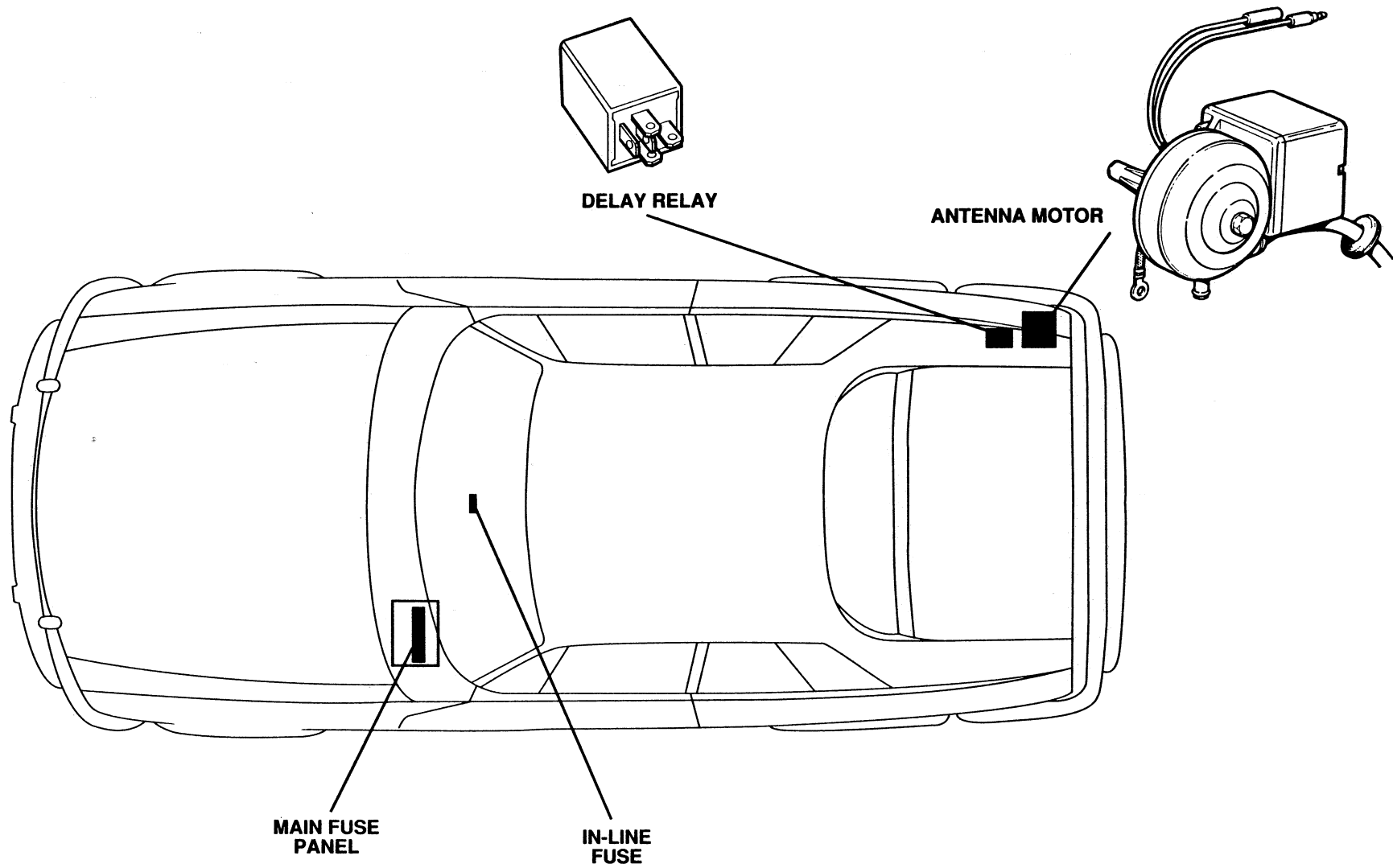
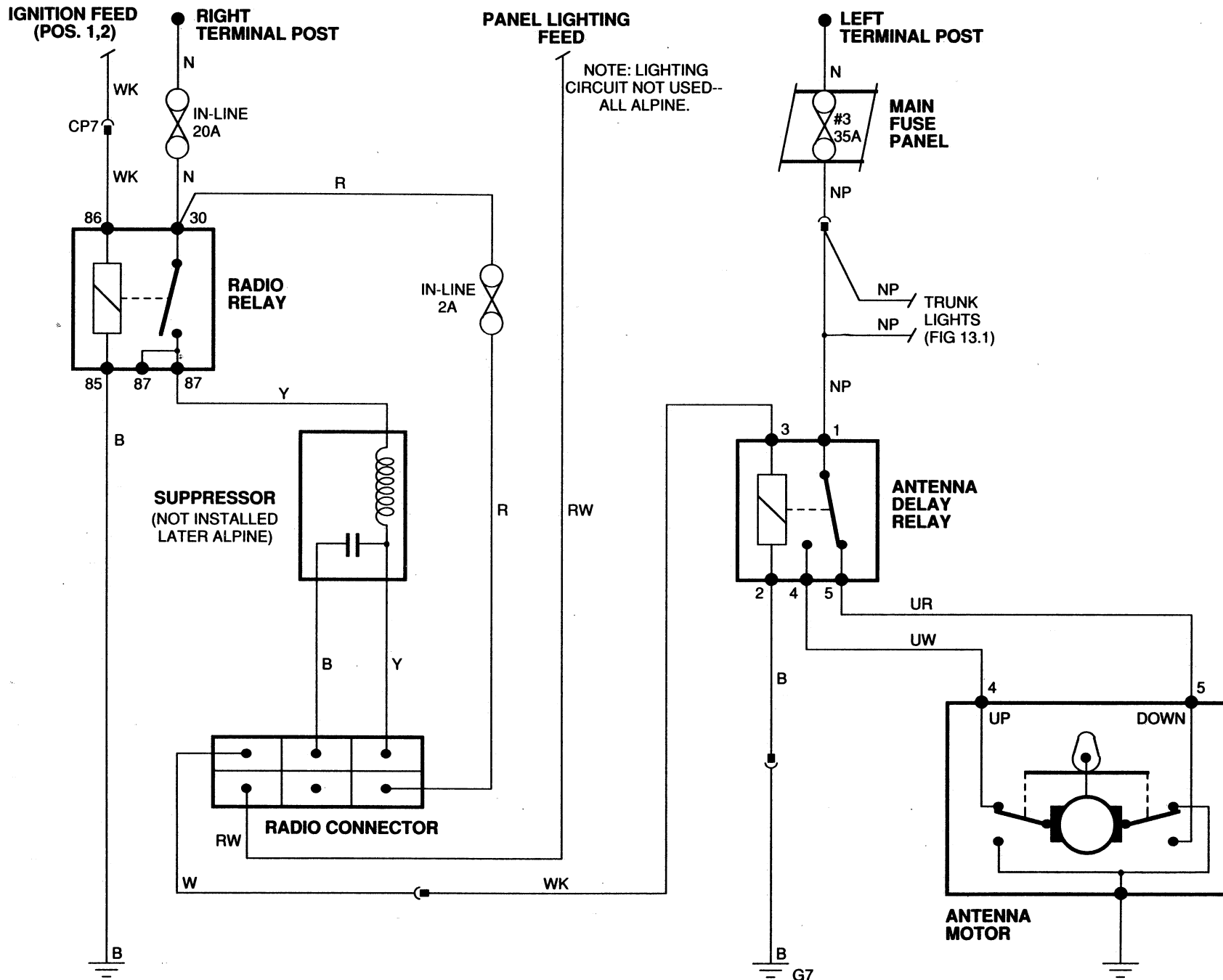


FIG 16.2

EARLY RADIO; ANTENNA

XJ-S
THROUGH 1987



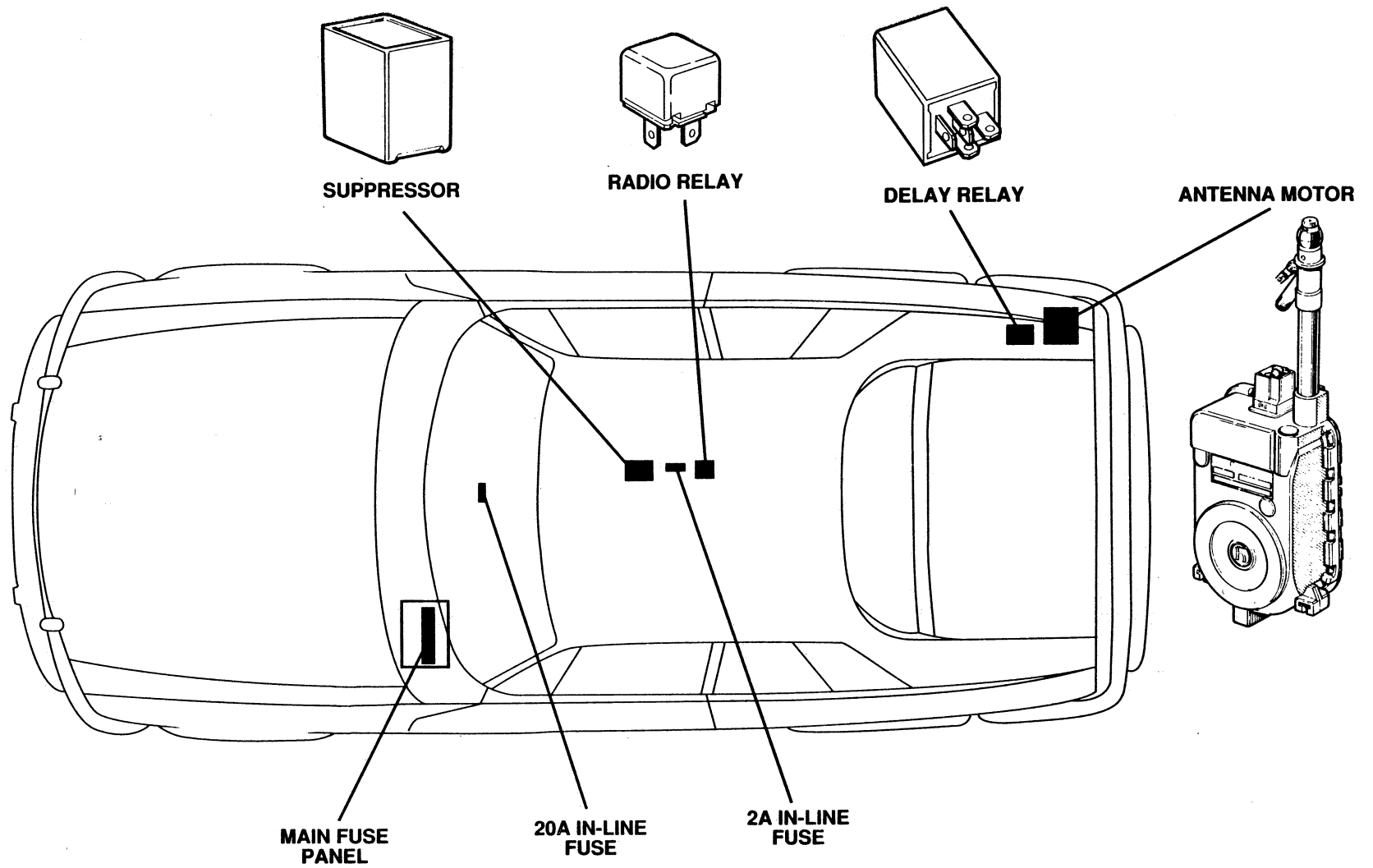
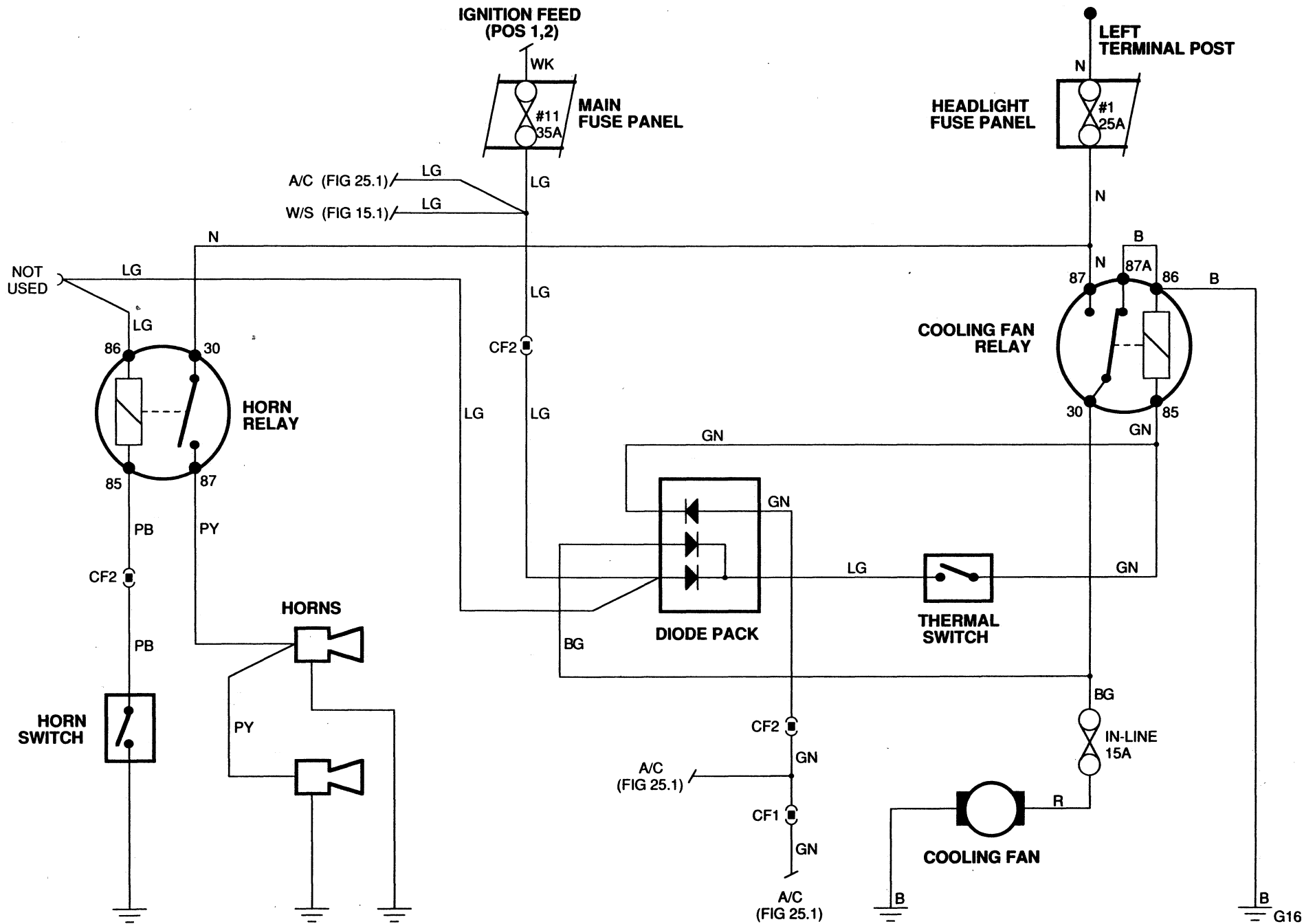


FIG 17.2

LATE RADIO; ANTENNA

**XJ-S
THROUGH 1987**



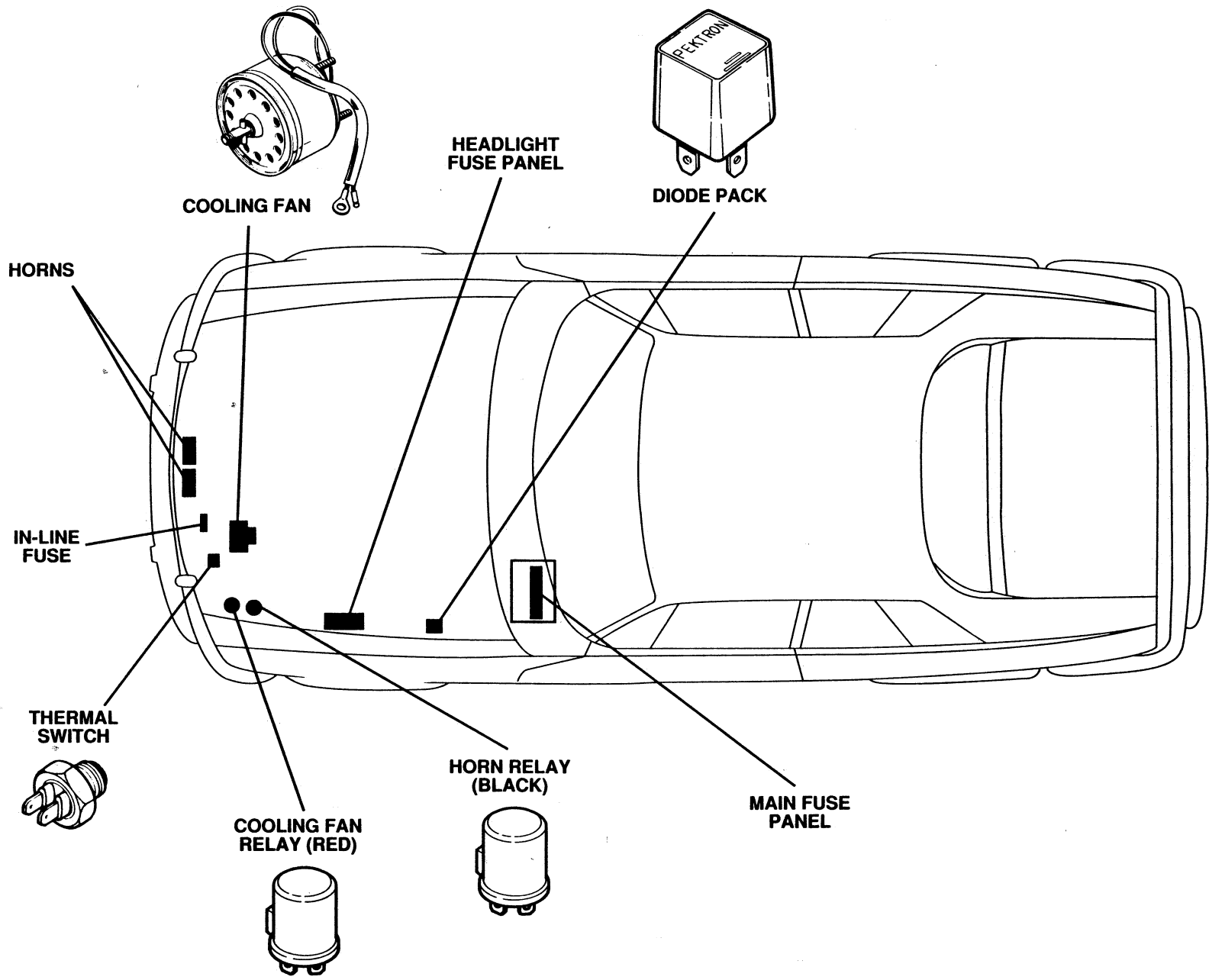


FIG 18.2

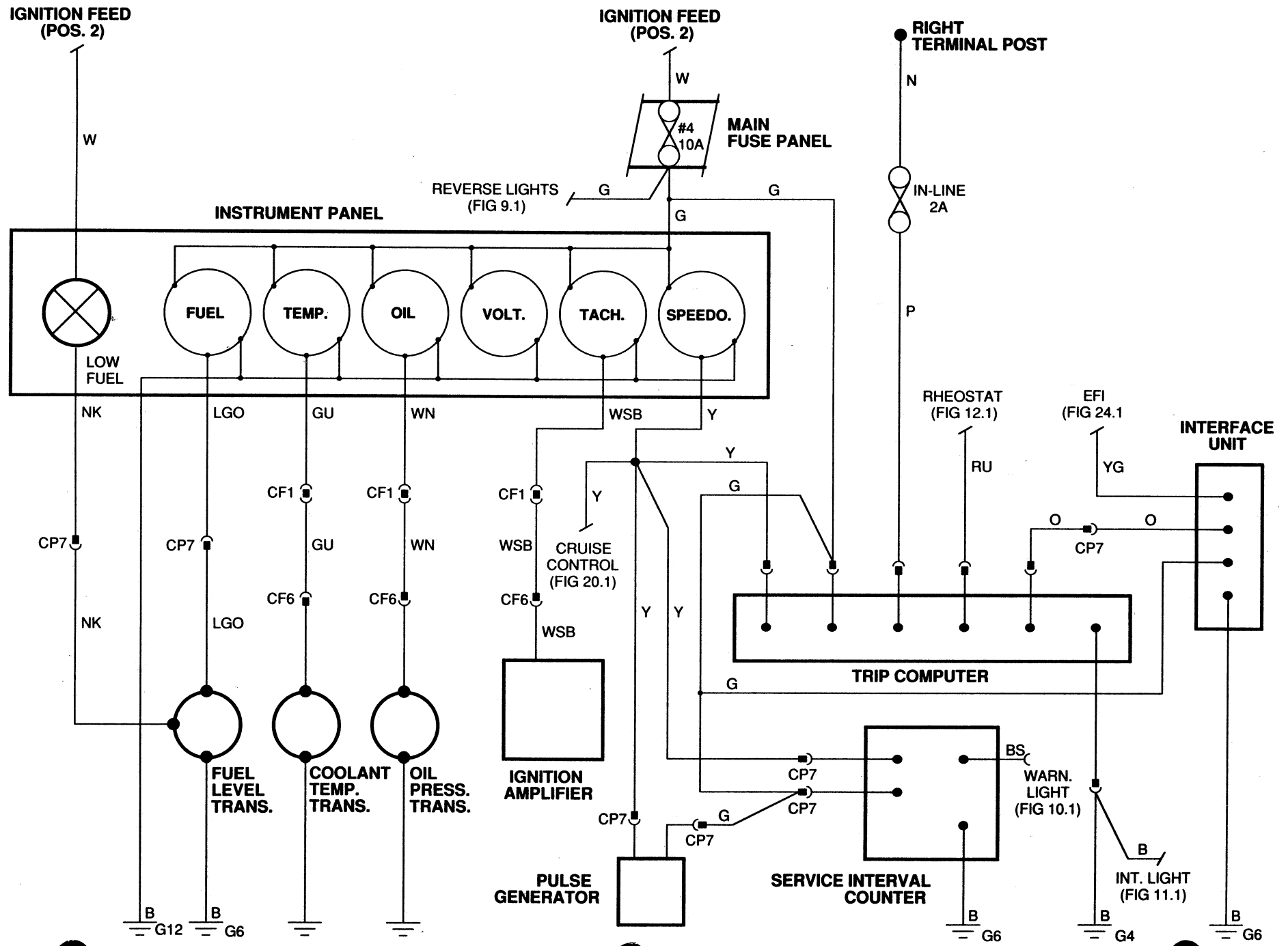
HORNS; COOLING FAN

XJ-S
THROUGH 1987

FIG 19.1

INSTRUMENTATION; TRIP COMPUTER

XJ-S
THROUGH 1987



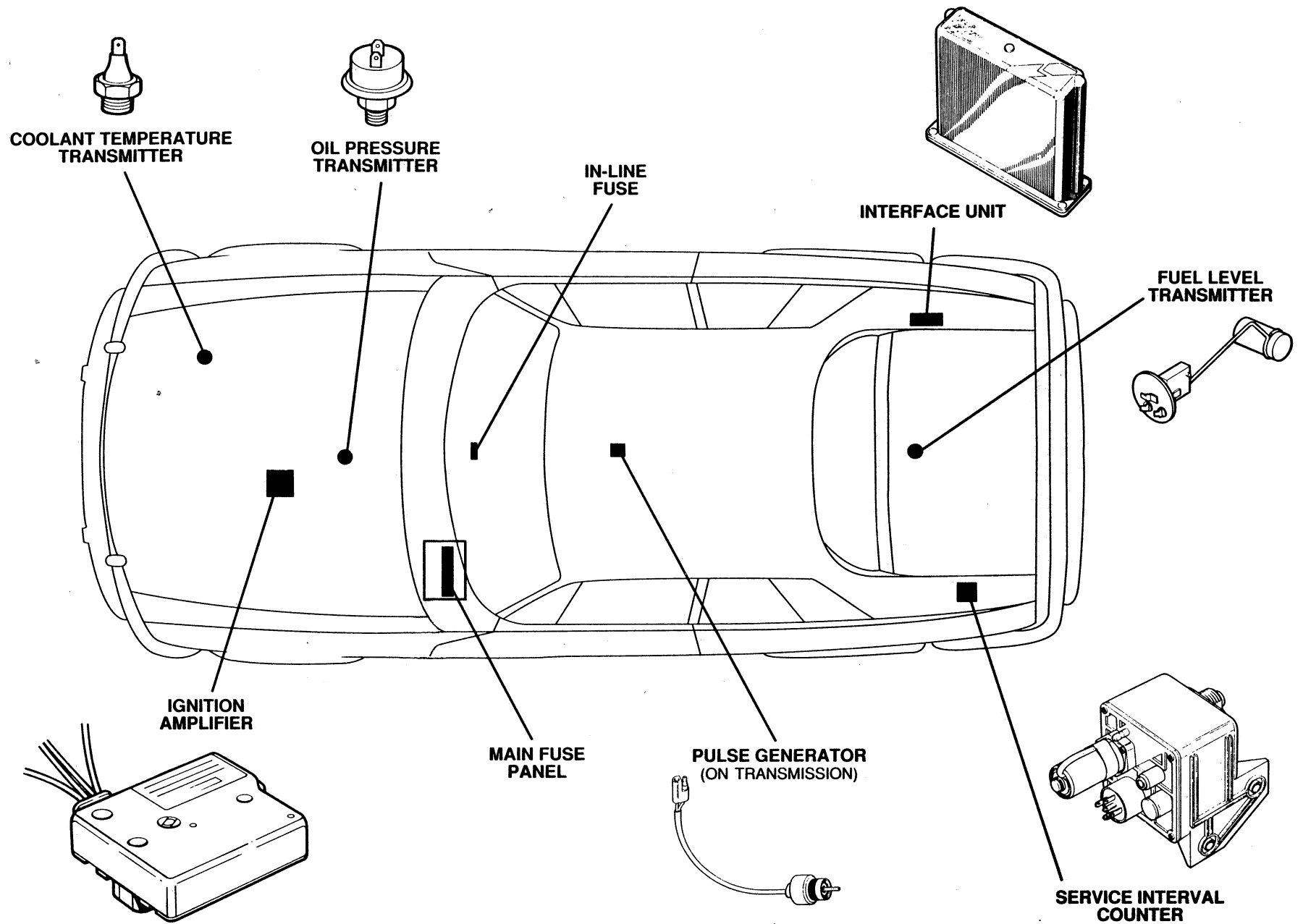
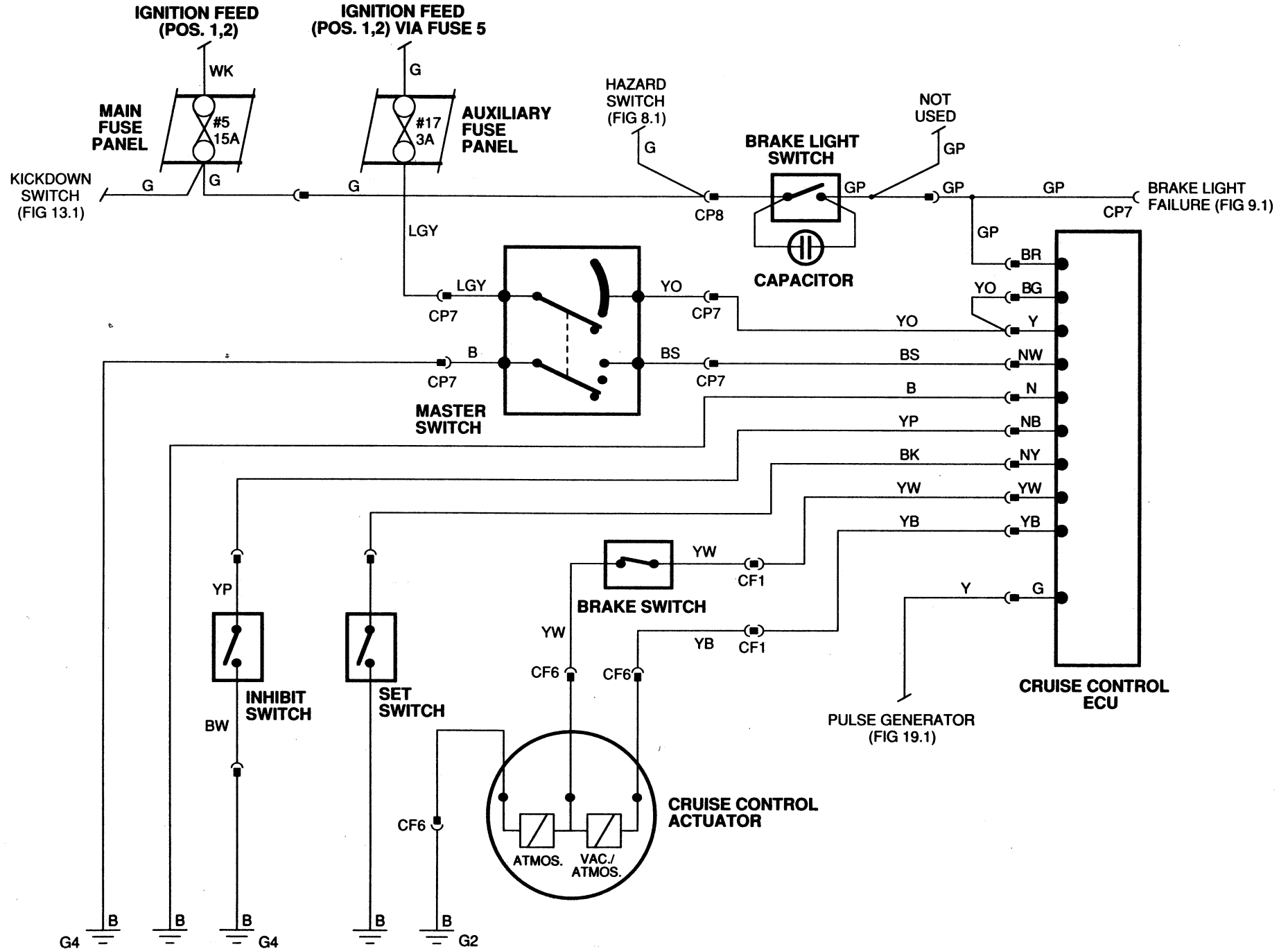


FIG 19.2

INSTRUMENTATION; TRIP COMPUTER

XJ-S
THROUGH 1987



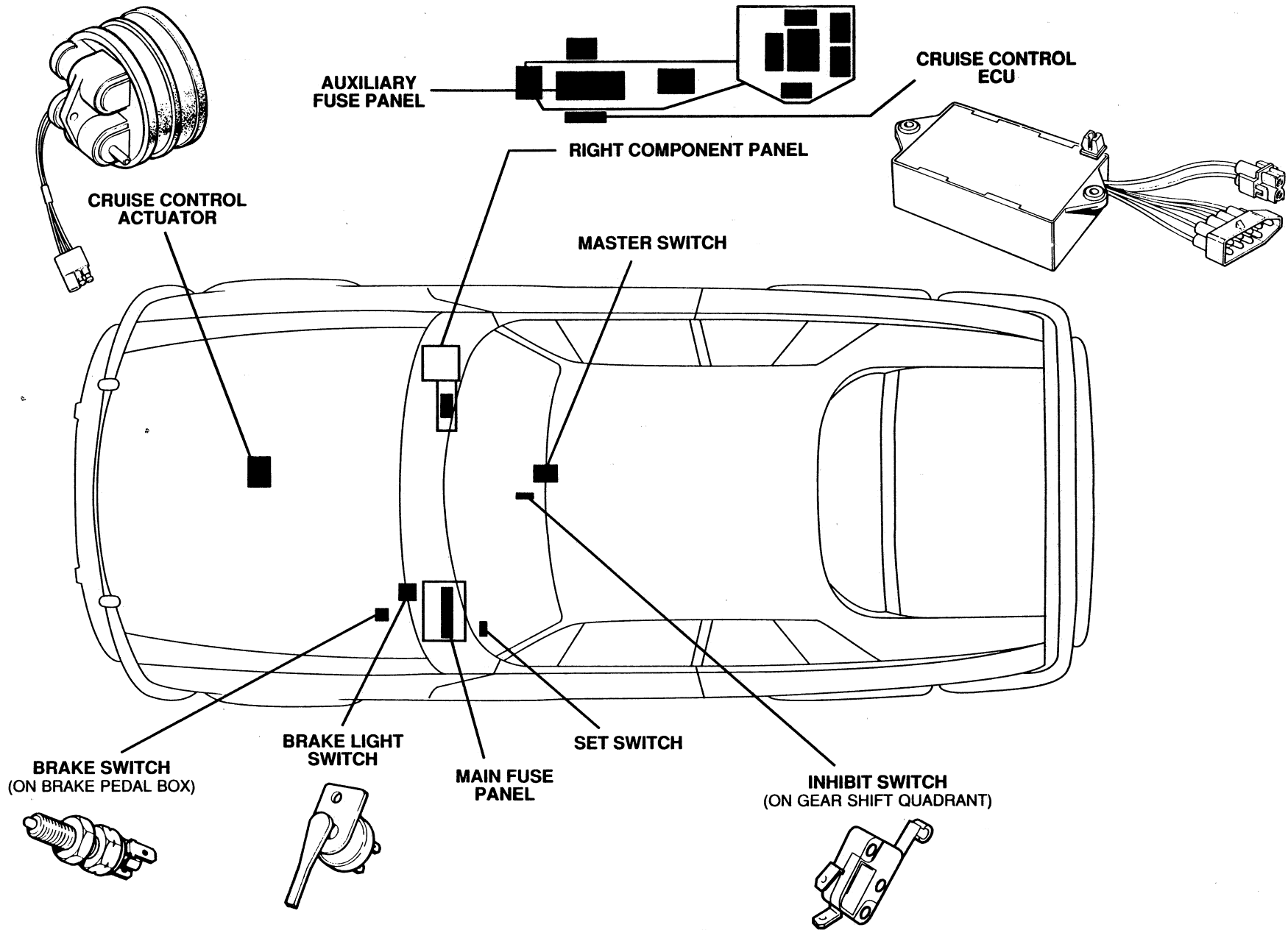
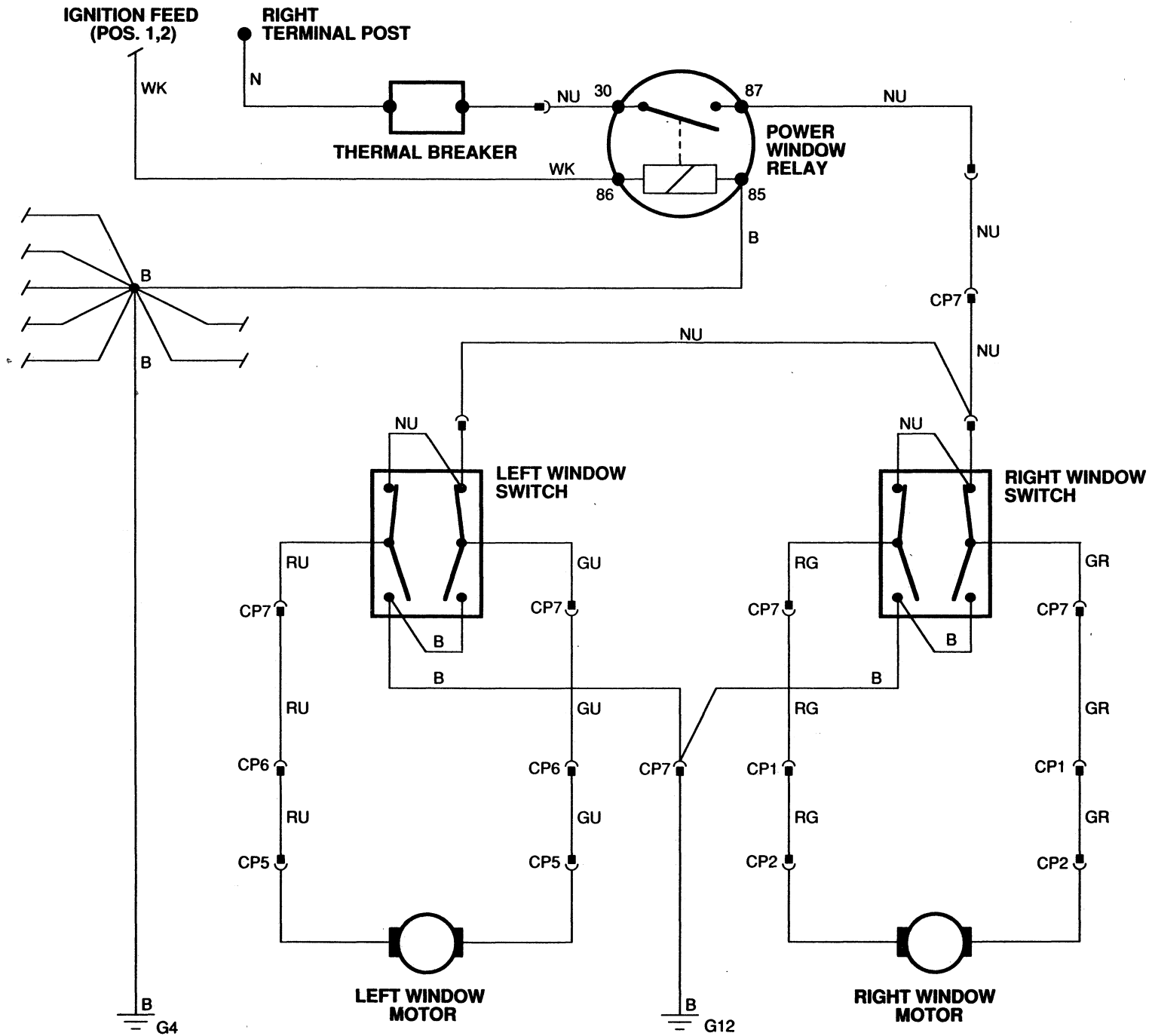


FIG 20.2

CRUISE CONTROL

XJ-S
THROUGH 1987



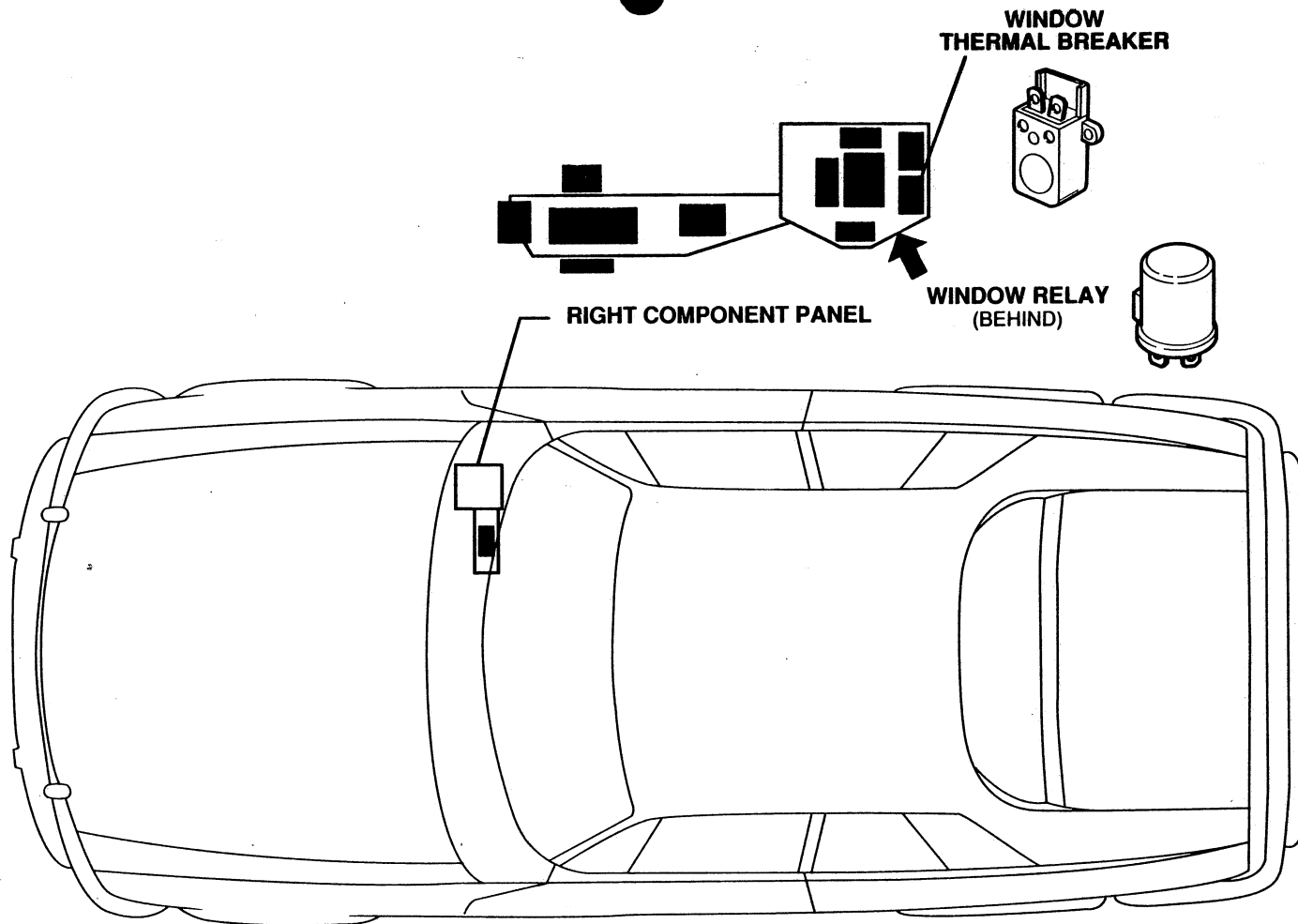
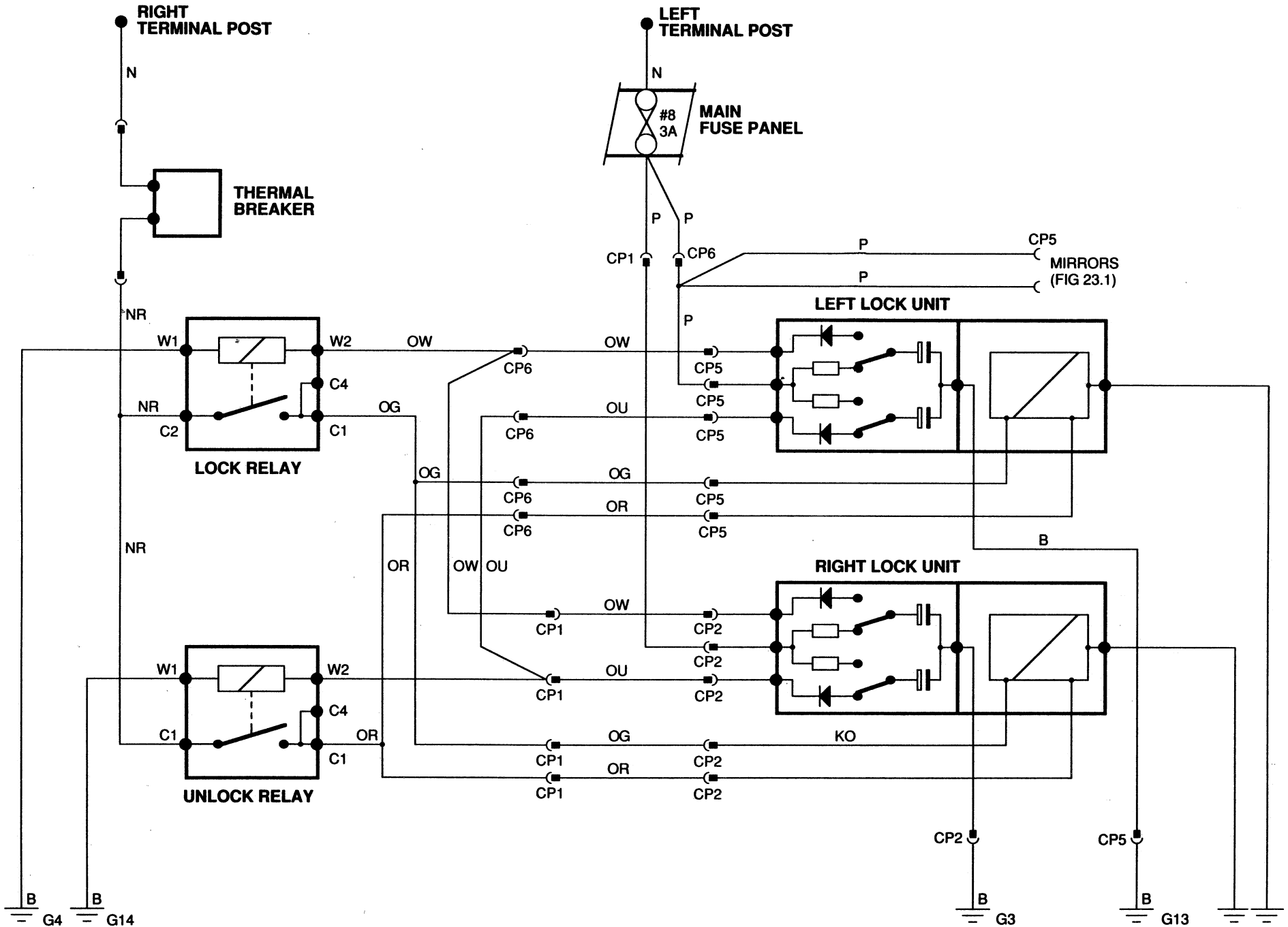


FIG 21.2

POWER WINDOWS

XJ-S
THROUGH 1987

FIG 22.1



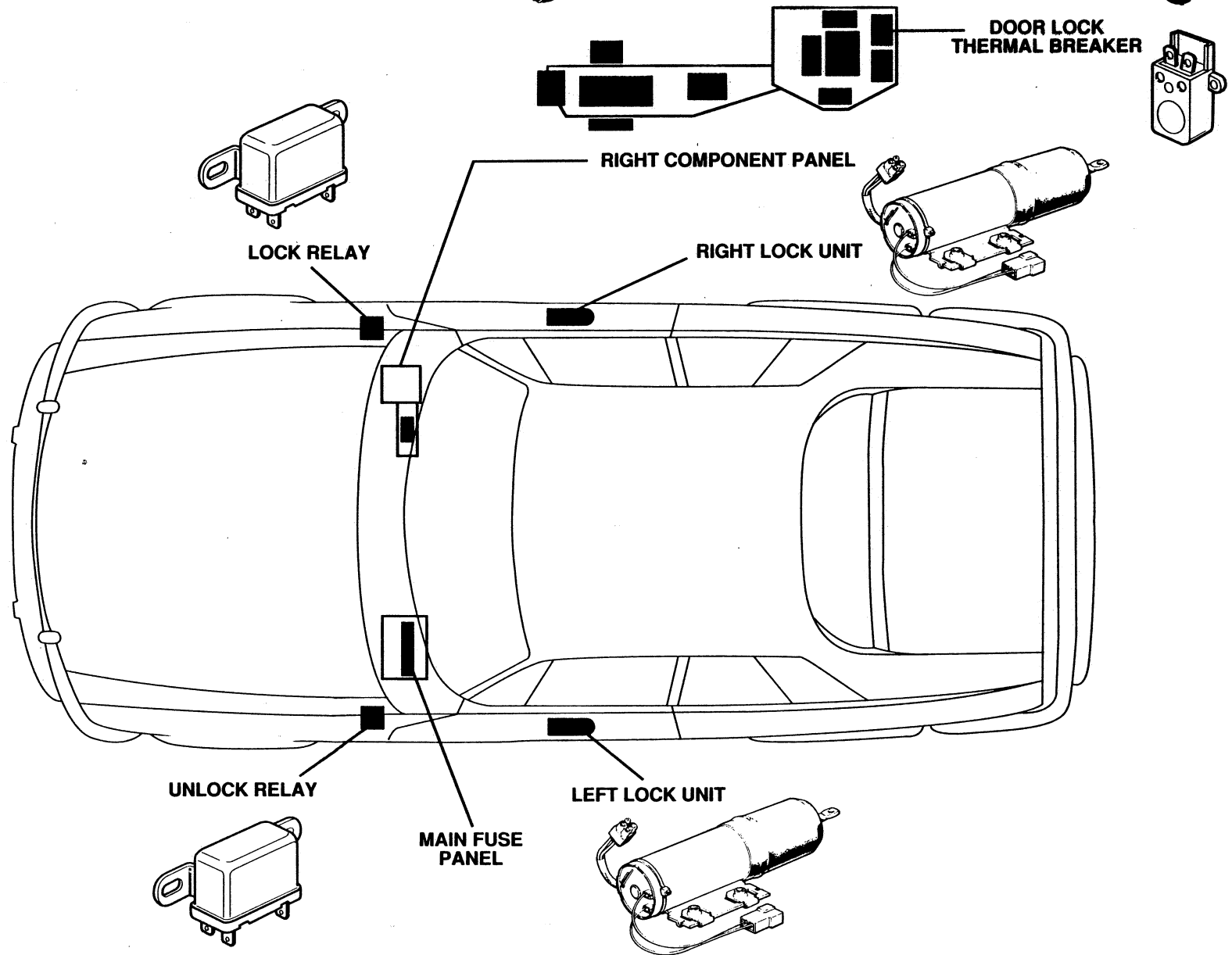
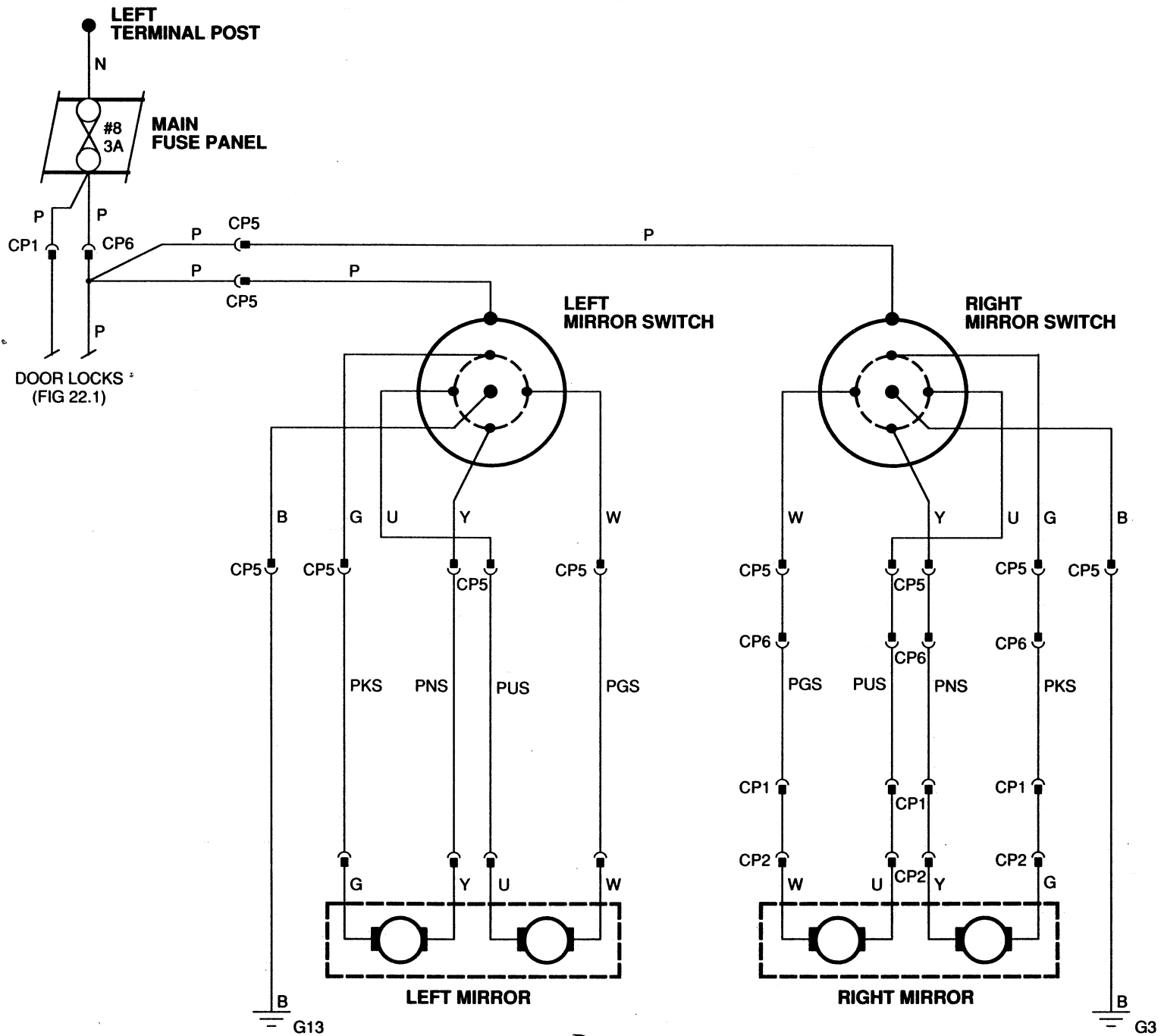
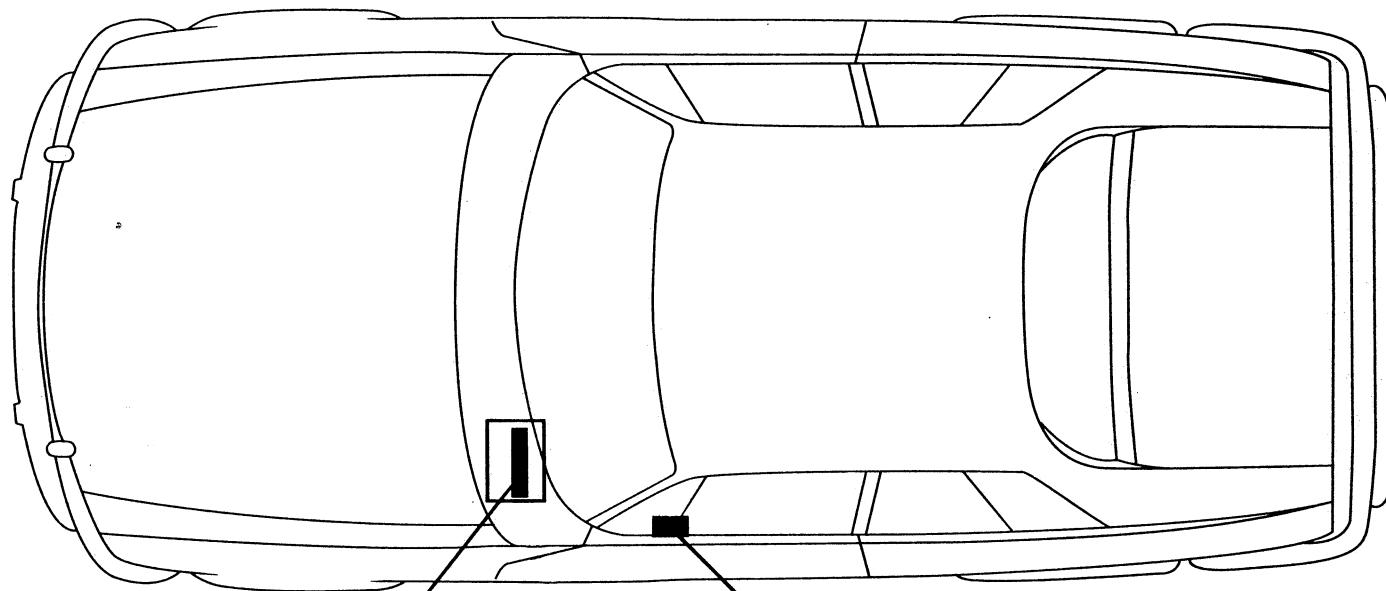


FIG 22.2

DOOR LOCKS

XJ-S
THROUGH 1987





MAIN FUSE
PANEL

MIRROR SWITCHES

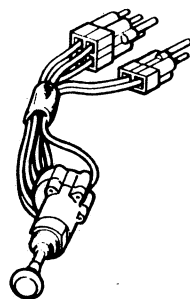


FIG 23.2

POWER MIRRORS

XJ-S
THROUGH 1987

FIG 24.1

EFI AND EMISSIONS CONTROL (UP TO VIN 133460)

XJ-S
THROUGH 1987

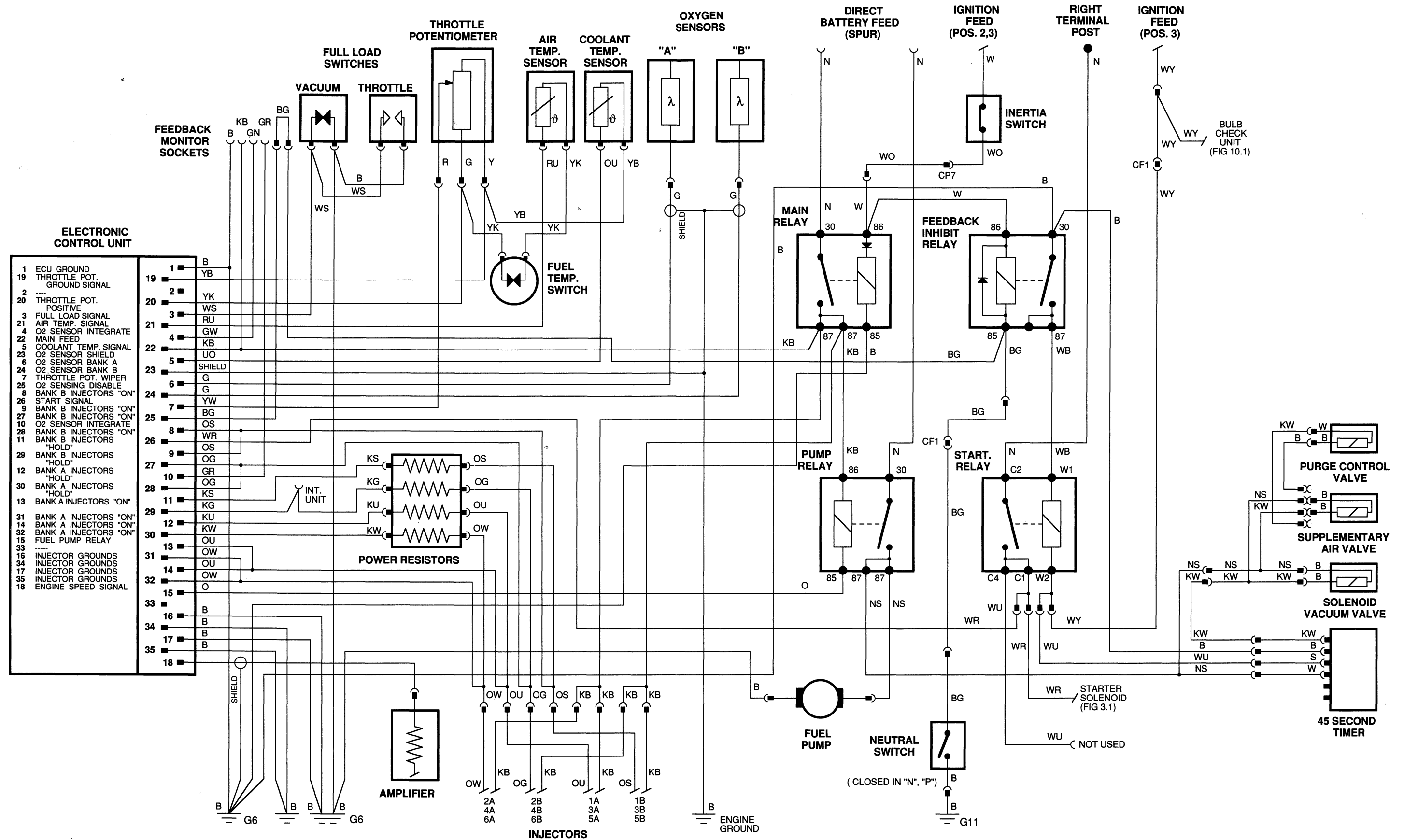


FIG 24.2

EFI AND EMISSIONS CONTROL
(UP TO VIN 133460 with purge modification kit JLM 832)

XJ-S
THROUGH 1987

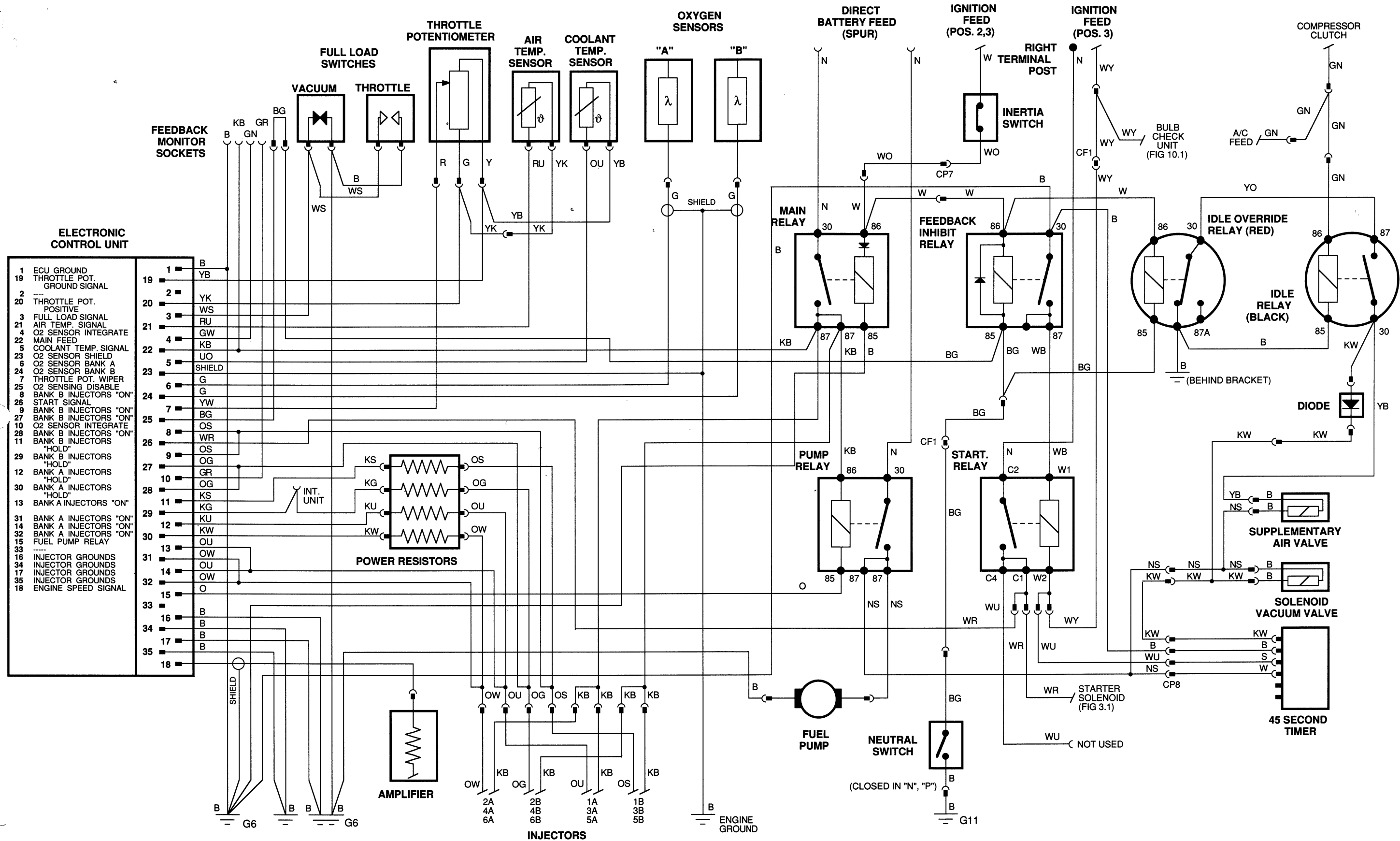
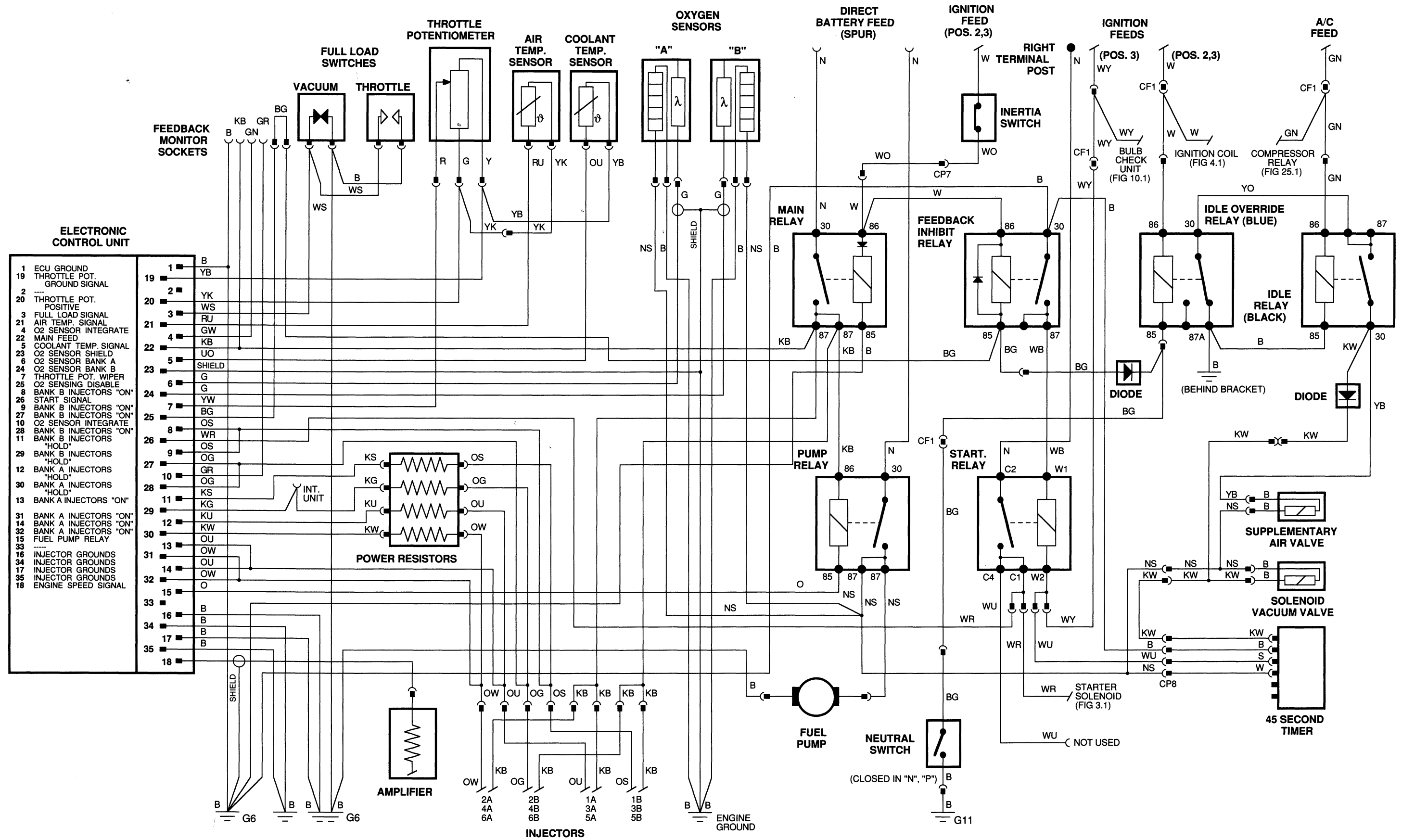


FIG 24.3

EFI AND EMISSIONS CONTROL (VIN 133461-139052)



ELECTRONIC CONTROL UNIT

- 1 ECU GROUND
- 19 THROTTLE POT. GROUND SIGNAL
- 20 THROTTLE POT. POSITIVE
- 3 FULL LOAD SIGNAL
- 21 AIR TEMP. SIGNAL
- 4 O2 SENSOR INTEGRATE MAIN FEED
- 5 COOLANT TEMP. SIGNAL
- 23 O2 SENSOR SHIELD
- 6 O2 SENSOR BANK A
- 24 O2 SENSOR BANK B
- 7 THROTTLE POT. WIPER
- 25 O2 SENSING DISABLE
- 8 BANK B INJECTORS "ON" START SIGNAL
- 26 START SIGNAL
- 9 BANK B INJECTORS "ON"
- 27 BANK B INJECTORS "ON"
- 10 O2 SENSOR INTEGRATE
- 28 BANK B INJECTORS "ON"
- 11 BANK B INJECTORS "HOLD"
- 29 BANK B INJECTORS "HOLD"
- 12 BANK A INJECTORS "HOLD"
- 30 BANK A INJECTORS "HOLD"
- 13 BANK A INJECTORS "ON"
- 31 BANK A INJECTORS "ON"
- 14 BANK A INJECTORS "ON"
- 32 BANK A INJECTORS "ON"
- 15 FUEL PUMP RELAY
- 33
- 16 INJECTOR GROUNDS
- 34 INJECTOR GROUNDS
- 17 INJECTOR GROUNDS
- 35 INJECTOR GROUNDS
- 18 ENGINE SPEED SIGNAL

- 1 B
- 2 YK
- 3 RU
- 4 GW
- 5 KB
- 6 UO
- 7 SHIELD
- 8 G
- 9 OS
- 10 WR
- 11 OS
- 12 OG
- 13 GR
- 14 OG
- 15 KS
- 16 KG
- 17 KU
- 18 KW
- 19 OW
- 20 OU
- 21 OW
- 22 O
- 23 B
- 24 B
- 25 B
- 26 B
- 27 B
- 28 B
- 29 B
- 30 B
- 31 B
- 32 B
- 33 B
- 34 B
- 35 B

- 1 YB
- 2 YK
- 3 WS
- 4 WS
- 5 YB
- 6 YK
- 7 YK
- 8 YK
- 9 YK
- 10 YK
- 11 YK
- 12 YK
- 13 YK
- 14 YK
- 15 YK
- 16 YK
- 17 YK
- 18 YK
- 19 YK
- 20 YK
- 21 YK
- 22 YK
- 23 YK
- 24 YK
- 25 YK
- 26 YK
- 27 YK
- 28 YK
- 29 YK
- 30 YK
- 31 YK
- 32 YK
- 33 YK
- 34 YK
- 35 YK

- 1 YB
- 2 YK
- 3 WS
- 4 WS
- 5 YB
- 6 YK
- 7 YK
- 8 YK
- 9 YK
- 10 YK
- 11 YK
- 12 YK
- 13 YK
- 14 YK
- 15 YK
- 16 YK
- 17 YK
- 18 YK
- 19 YK
- 20 YK
- 21 YK
- 22 YK
- 23 YK
- 24 YK
- 25 YK
- 26 YK
- 27 YK
- 28 YK
- 29 YK
- 30 YK
- 31 YK
- 32 YK
- 33 YK
- 34 YK
- 35 YK

- 1 YB
- 2 YK
- 3 WS
- 4 WS
- 5 YB
- 6 YK
- 7 YK
- 8 YK
- 9 YK
- 10 YK
- 11 YK
- 12 YK
- 13 YK
- 14 YK
- 15 YK
- 16 YK
- 17 YK
- 18 YK
- 19 YK
- 20 YK
- 21 YK
- 22 YK
- 23 YK
- 24 YK
- 25 YK
- 26 YK
- 27 YK
- 28 YK
- 29 YK
- 30 YK
- 31 YK
- 32 YK
- 33 YK
- 34 YK
- 35 YK

- 1 YB
- 2 YK
- 3 WS
- 4 WS
- 5 YB
- 6 YK
- 7 YK
- 8 YK
- 9 YK
- 10 YK
- 11 YK
- 12 YK
- 13 YK
- 14 YK
- 15 YK
- 16 YK
- 17 YK
- 18 YK
- 19 YK
- 20 YK
- 21 YK
- 22 YK
- 23 YK
- 24 YK
- 25 YK
- 26 YK
- 27 YK
- 28 YK
- 29 YK
- 30 YK
- 31 YK
- 32 YK
- 33 YK
- 34 YK
- 35 YK

- 1 YB
- 2 YK
- 3 WS
- 4 WS
- 5 YB
- 6 YK
- 7 YK
- 8 YK
- 9 YK
- 10 YK
- 11 YK
- 12 YK
- 13 YK
- 14 YK
- 15 YK
- 16 YK
- 17 YK
- 18 YK
- 19 YK
- 20 YK
- 21 YK
- 22 YK
- 23 YK
- 24 YK
- 25 YK
- 26 YK
- 27 YK
- 28 YK
- 29 YK
- 30 YK
- 31 YK
- 32 YK
- 33 YK
- 34 YK
- 35 YK

- 1 YB
- 2 YK
- 3 WS
- 4 WS
- 5 YB
- 6 YK
- 7 YK
- 8 YK
- 9 YK
- 10 YK
- 11 YK
- 12 YK
- 13 YK
- 14 YK
- 15 YK
- 16 YK
- 17 YK
- 18 YK
- 19 YK
- 20 YK
- 21 YK
- 22 YK
- 23 YK
- 24 YK
- 25 YK
- 26 YK
- 27 YK
- 28 YK
- 29 YK
- 30 YK
- 31 YK
- 32 YK
- 33 YK
- 34 YK
- 35 YK

- 1 YB
- 2 YK
- 3 WS
- 4 WS
- 5 YB
- 6 YK
- 7 YK
- 8 YK
- 9 YK
- 10 YK
- 11 YK
- 12 YK
- 13 YK
- 14 YK
- 15 YK
- 16 YK
- 17 YK
- 18 YK
- 19 YK
- 20 YK
- 21 YK
- 22 YK
- 23 YK
- 24 YK
- 25 YK
- 26 YK
- 27 YK
- 28 YK
- 29 YK
- 30 YK
- 31 YK
- 32 YK
- 33 YK
- 34 YK
- 35 YK

- 1 YB
- 2 YK
- 3 WS
- 4 WS
- 5 YB
- 6 YK
- 7 YK
- 8 YK
- 9 YK
- 10 YK
- 11 YK
- 12 YK
- 13 YK
- 14 YK
- 15 YK
- 16 YK
- 17 YK
- 18 YK
- 19 YK
- 20 YK
- 21 YK
- 22 YK
- 23 YK
- 24 YK
- 25 YK
- 26 YK
- 27 YK
- 28 YK
- 29 YK
- 30 YK
- 31 YK
- 32 YK
- 33 YK
- 34 YK
- 35 YK

- 1 YB
- 2 YK
- 3 WS
- 4 WS
- 5 YB
- 6 YK
- 7 YK
- 8 YK
- 9 YK
- 10 YK
- 11 YK
- 12 YK
- 13 YK
- 14 YK
- 15 YK
- 16 YK
- 17 YK
- 18 YK
- 19 YK
- 20 YK
- 21 YK
- 22 YK
- 23 YK
- 24 YK
- 25 YK
- 26 YK
- 27 YK
- 28 YK
- 29 YK
- 30 YK
- 31 YK
- 32 YK
- 33 YK
- 34 YK
- 35 YK

- 1 YB
- 2 YK
- 3 WS
- 4 WS
- 5 YB
- 6 YK
- 7 YK
- 8 YK
- 9 YK
- 10 YK
- 11 YK
- 12 YK
- 13 YK
- 14 YK
- 15 YK
- 16 YK
- 17 YK
- 18 YK
- 19 YK
- 20 YK
- 21 YK
- 22 YK
- 23 YK
- 24 YK
- 25 YK
- 26 YK
- 27 YK
- 28 YK
- 29 YK
- 30 YK
- 31 YK
- 32 YK
- 33 YK
- 34 YK
- 35 YK

- 1 YB
- 2 YK
- 3 WS
- 4 WS
- 5 YB
- 6 YK
- 7 YK
- 8 YK
- 9 YK
- 10 YK
- 11 YK
- 12 YK
- 13 YK
- 14 YK
- 15 YK
- 16 YK
- 17 YK
- 18 YK
- 19 YK
- 20 YK
- 21 YK
- 22 YK
- 23 YK
- 24 YK
- 25 YK
- 26 YK
- 27 YK
- 28 YK
- 29 YK
- 30 YK
- 31 YK
- 32 YK
- 33 YK
- 34 YK
- 35 YK

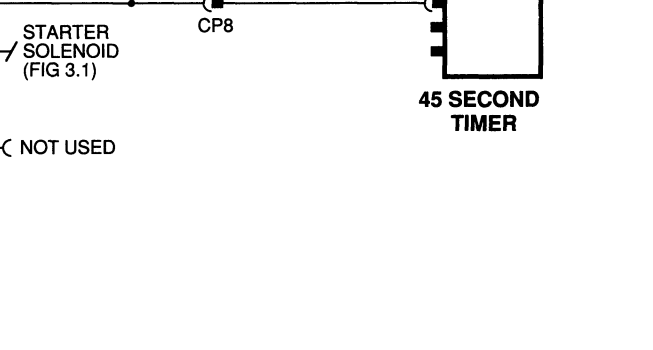
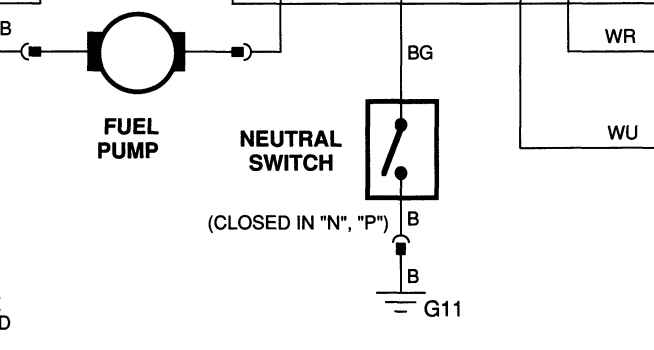
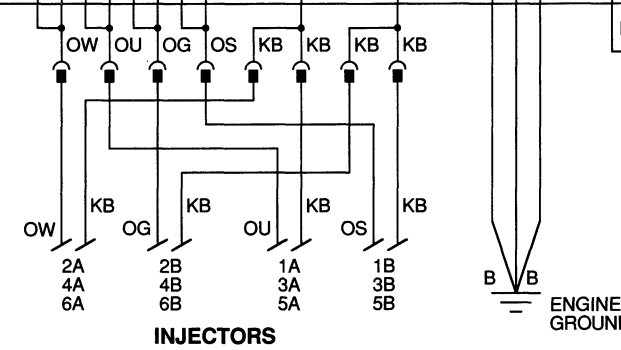
- 1 YB
- 2 YK
- 3 WS
- 4 WS
- 5 YB
- 6 YK
- 7 YK
- 8 YK
- 9 YK
- 10 YK
- 11 YK
- 12 YK
- 13 YK
- 14 YK
- 15 YK
- 16 YK
- 17 YK
- 18 YK
- 19 YK
- 20 YK
- 21 YK
- 22 YK
- 23 YK
- 24 YK
- 25 YK
- 26 YK
- 27 YK
- 28 YK
- 29 YK
- 30 YK
- 31 YK
- 32 YK
- 33 YK
- 34 YK
- 35 YK

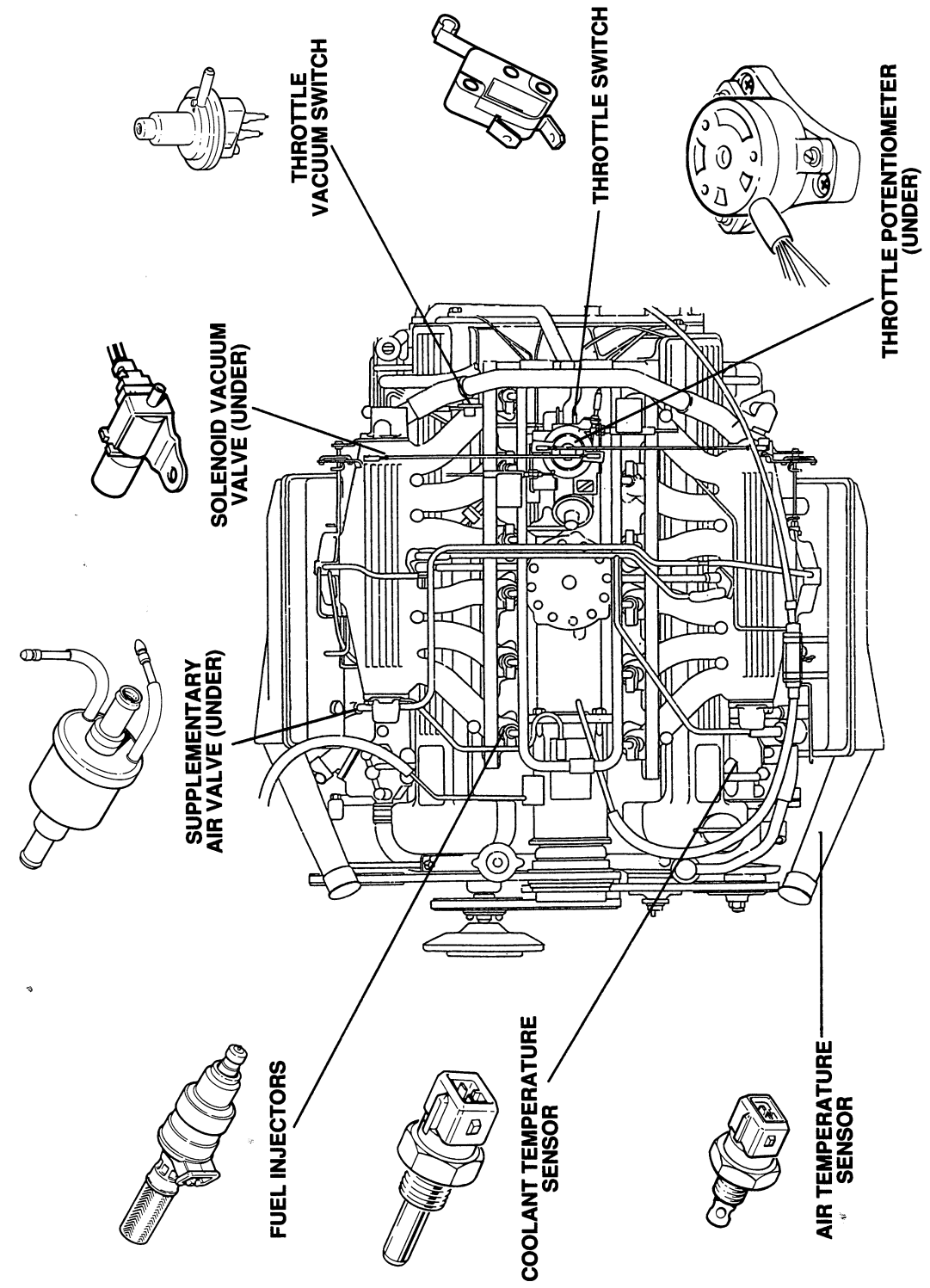
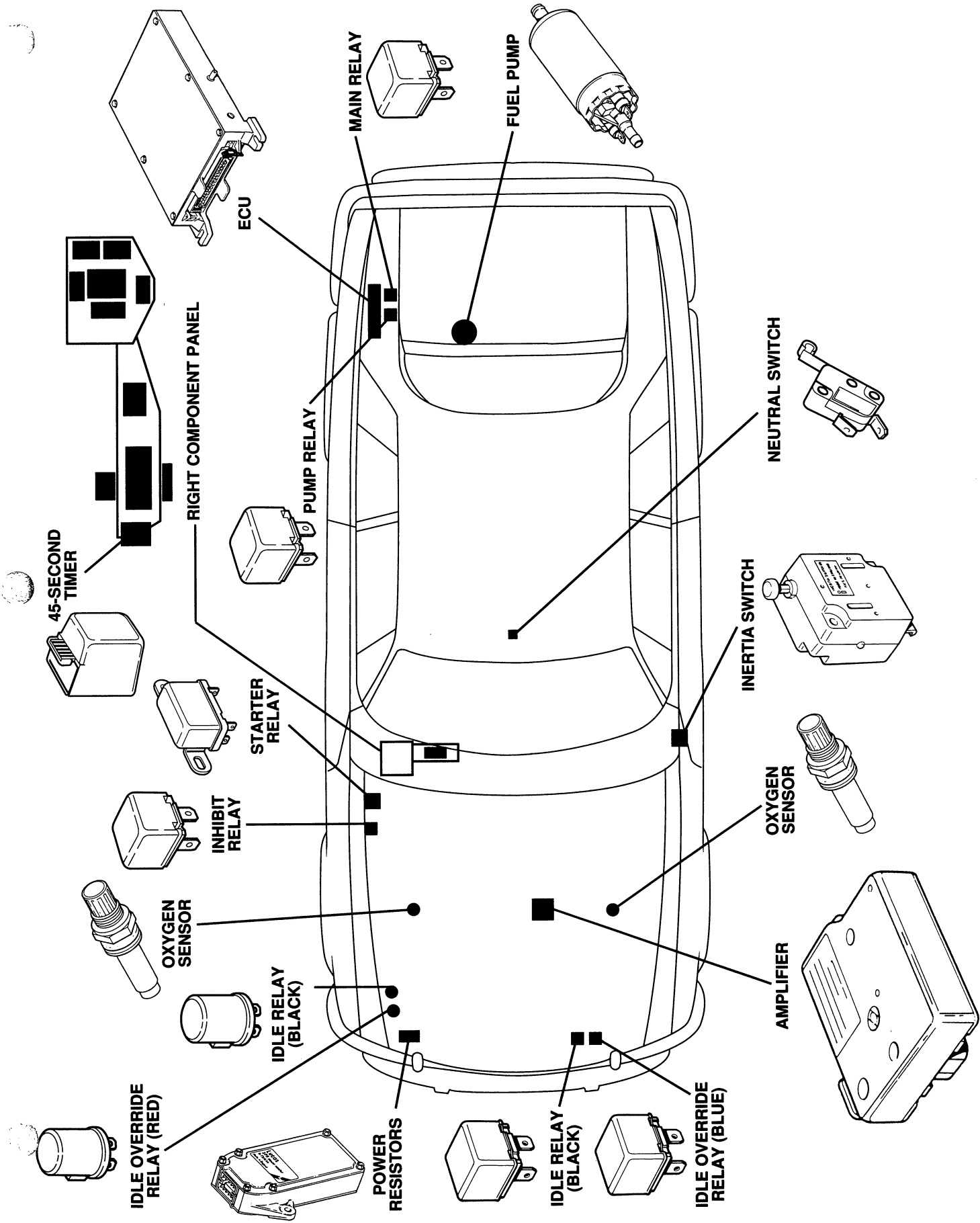
- 1 YB
- 2 YK
- 3 WS
- 4 WS
- 5 YB
- 6 YK
- 7 YK
- 8 YK
- 9 YK
- 10 YK
- 11 YK
- 12 YK
- 13 YK
- 14 YK
- 15 YK
- 16 YK
- 17 YK
- 18 YK
- 19 YK
- 20 YK
- 21 YK
- 22 YK
- 23 YK
- 24 YK
- 25 YK
- 26 YK
- 27 YK
- 28 YK
- 29 YK
- 30 YK
- 31 YK
- 32 YK
- 33 YK
- 34 YK
- 35 YK

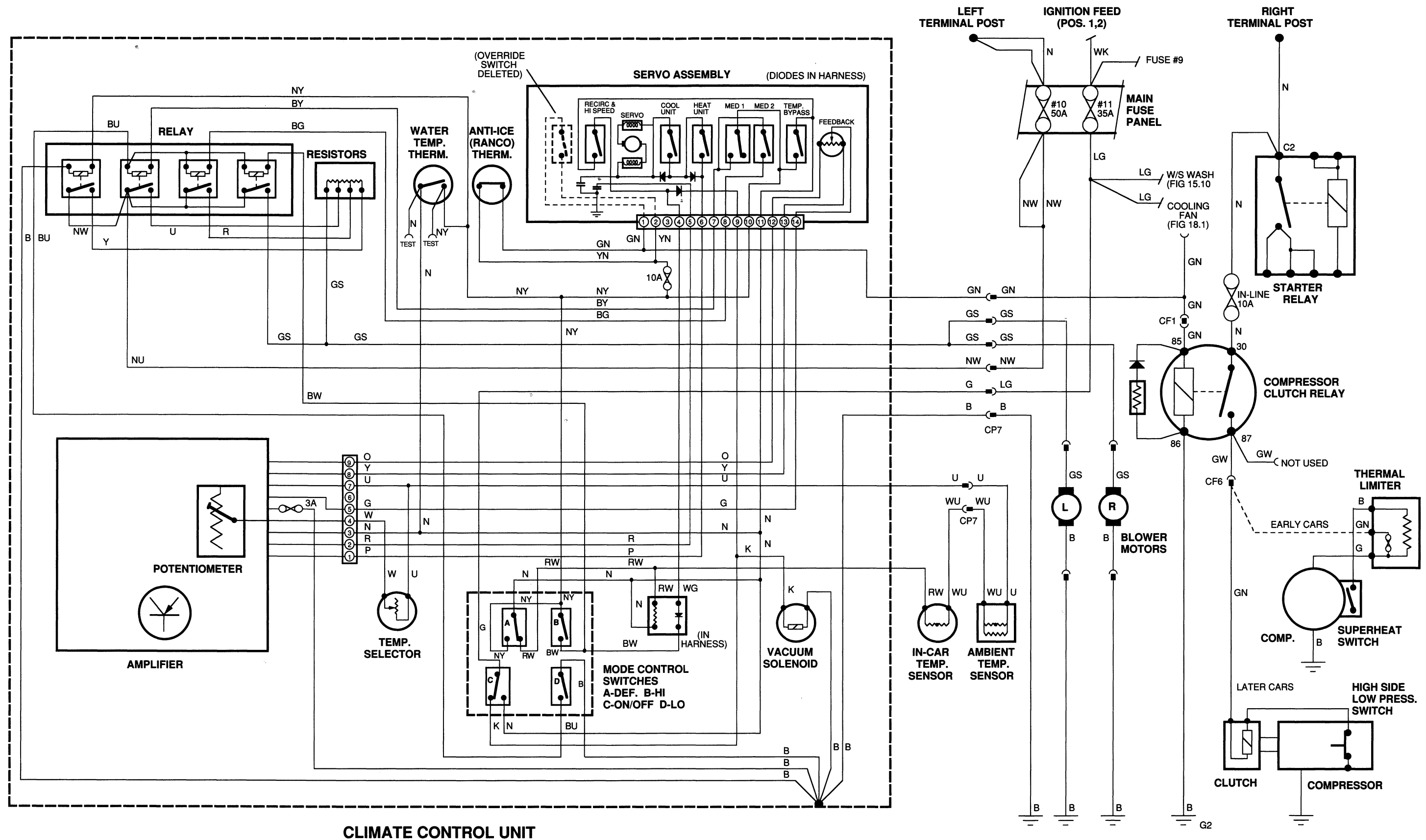
- 1 YB
- 2 YK
- 3 WS
- 4 WS
- 5 YB
- 6 YK
- 7 YK
- 8 YK
- 9 YK
- 10 YK
- 11 YK
- 12 YK
- 13 YK
- 14 YK
- 15 YK
- 16 YK
- 17 YK
- 18 YK
- 19 YK
- 20 YK
- 21 YK
- 22 YK
- 23 YK
- 24 YK
- 25 YK
- 26 YK
- 27 YK
- 28 YK
- 29 YK
- 30 YK
- 31 YK
- 32 YK
- 33 YK
- 34 YK
- 35 YK

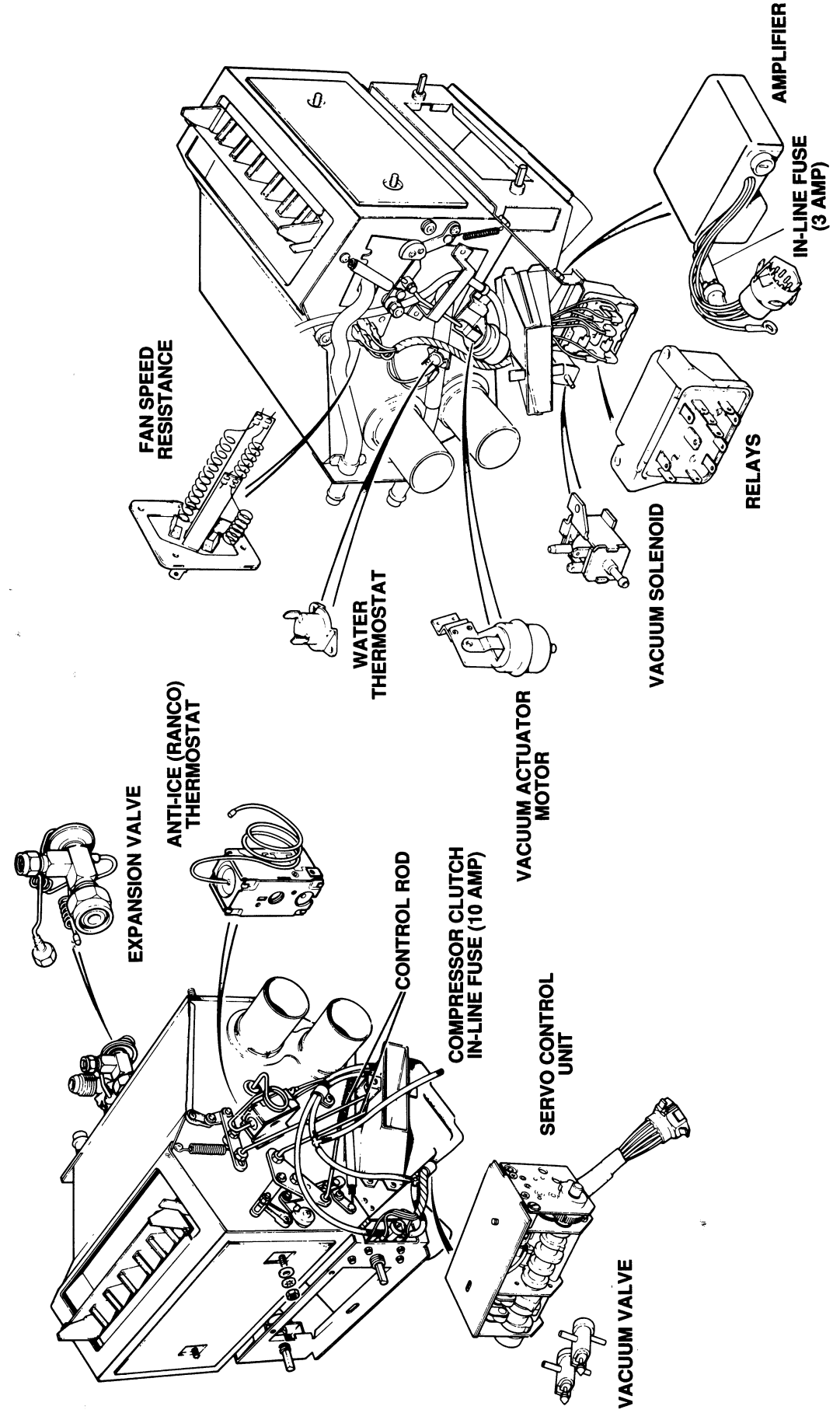
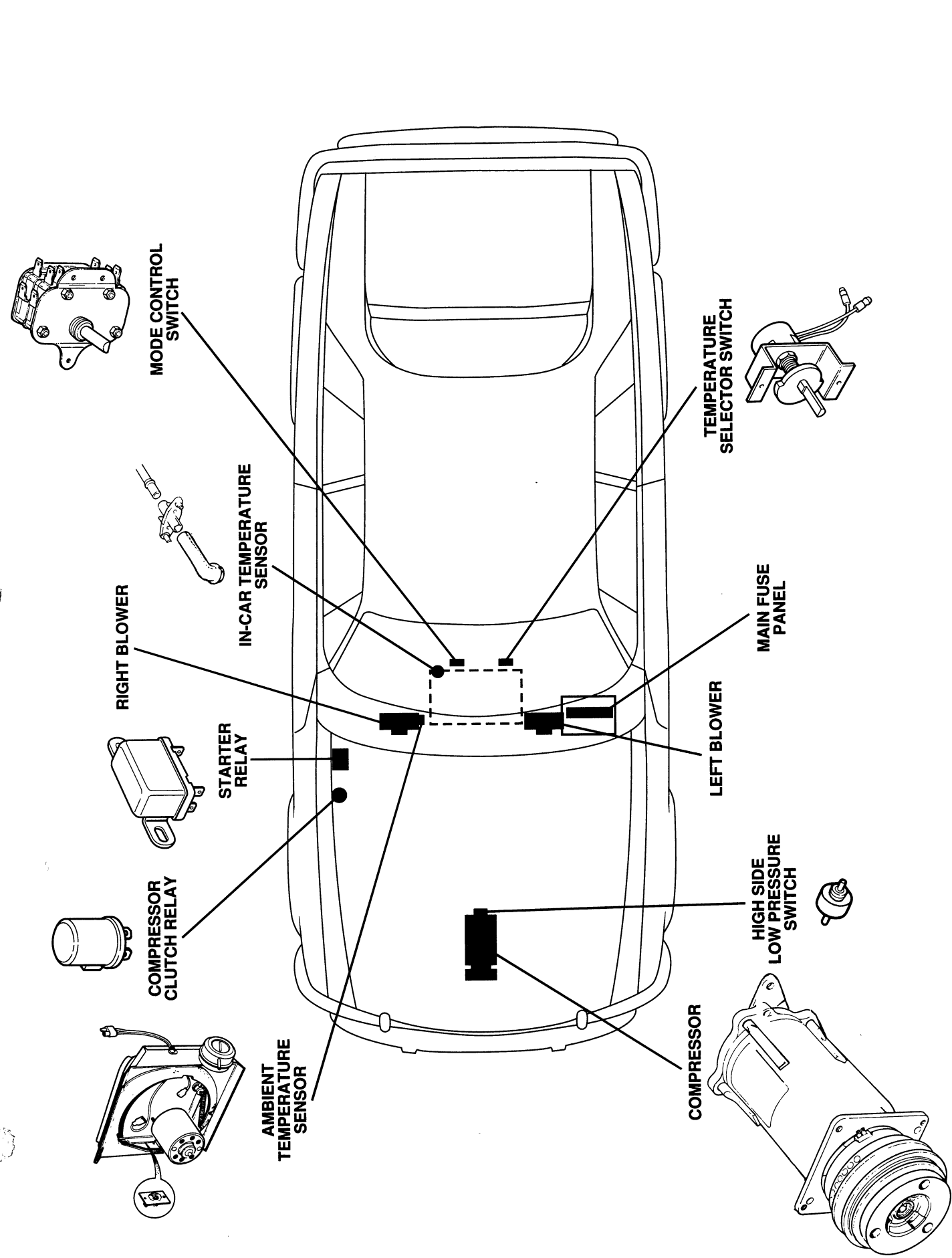
- 1 YB
- 2 YK
- 3 WS
- 4 WS
- 5 YB
- 6 YK
- 7 YK
- 8 YK
- 9 YK
- 10 YK
- 11 YK
- 12 YK
- 13 YK
- 14 YK
- 15 YK
- 16 YK
- 17 YK
- 18 YK
- 19 YK
- 20 YK
- 21 YK
- 22 YK
- 23 YK
- 24 YK
- 25 YK
- 26 YK
- 27 YK
- 28 YK
- 29 YK
- 30 YK
- 31 YK
- 32 YK
- 33 YK
- 34 YK
- 35 YK

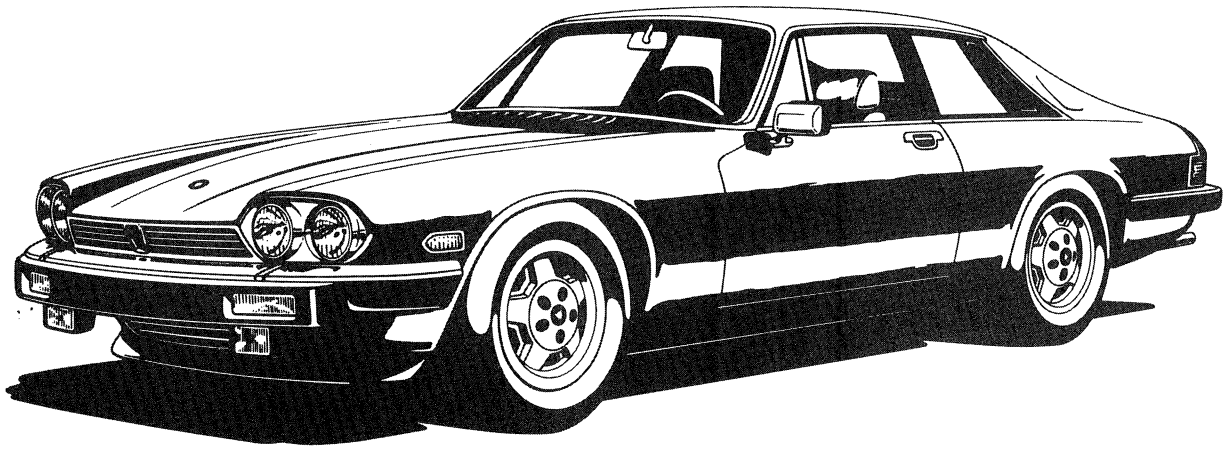
- 1 YB
- 2 YK
- 3 WS
- 4 WS
- 5 YB
- 6 YK
- 7 YK
- 8 YK
- 9 YK
- 10 YK
- 11 YK
- 12 YK
- 13 YK
- 14 YK
- 15 YK
- 16 YK
- 17 YK
- 18 YK
- 19 YK
- 20 YK
- 21 YK
- 22 YK
- 23 YK
- 24 YK
- 25 YK
- 26 YK
- 27 YK
- 28 YK
- 29 YK
- 30 YK
- 31 YK
- 32 YK
- 33 YK
- 34 YK
- 35 YK











XJ-S 1988 MY

TABLE OF CONTENTS XJ-S 1988 MY

DESCRIPTION	WIRING DIAGRAM	COMPONENT LOCATION
HARNES LAYOUT	—	1.1
CHASSIS GROUND POINTS	—	1.2
BATTERY; STARTER; ALTERNATOR	2.1	2.2
POWER DISTRIBUTION—DIRECT BATTERY FEEDS	3.1	3.2
POWER DISTRIBUTION—IGNITION FEEDS	4.1	4.2
HEADLIGHTS	5.1	5.2
FOG LIGHTS	6.1	6.2
PARKING LIGHTS; MARKER LIGHTS	7.1	7.2
HAZARD; TURN SIGNALS	8.1	8.2
BRAKE LIGHTS; REVERSE LIGHTS	9.1	9.2
WARNING LIGHTS	10.1	10.2
INTERIOR LIGHTING	11.1	11.2
PANEL LIGHTS	12.1	12.2
TRUNK LIGHTS; TRANS. K/D; CIGAR LIGHTER	13.1	13.2
HEATED REAR WINDOW, MIRRORS	14.1	14.2
WINDSHIELD WIPERS, WASHERS	15.1	15.2
RADIO; ANTENNA	16.1	16.2
HORNS; COOLING FAN	17.1	17.2
INSTRUMENTATION; TRIP COMPUTER	18.1	18.2
CRUISE CONTROL	19.1	19.2
POWER WINDOWS	20.1	20.2
POWER DOOR LOCKS	21.1	21.2
POWER MIRRORS	22.1	22.2
HEATED SEATS; POWER LUMBAR SUPPORTS	23.1	23.2
PASSIVE RESTRAINT SEAT BELTS	24.1	24.2
EFI and EMISSION CONTROL	25.1	25.2
CLIMATE CONTROL (MK 3)	26.1	26.2

FORWARD OF FRONT BULKHEAD

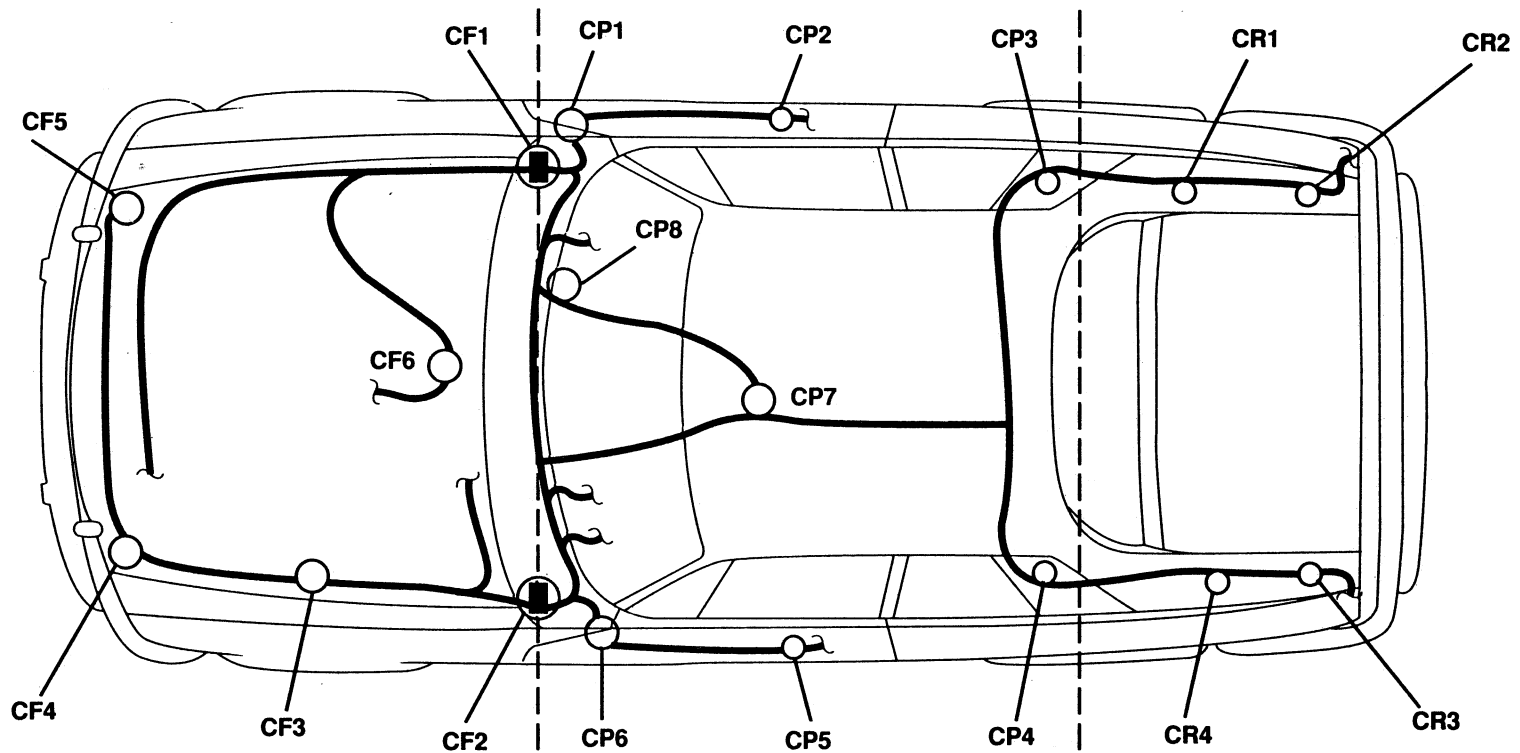
- CF1 RIGHT BULKHEAD
- CF2 LEFT BULKHEAD
- CF3 LEFT FRONT INNER FENDER
- CF4 LEFT FRONT CORNER
- CF5 RIGHT FRONT CORNER
- CF6 ENGINE

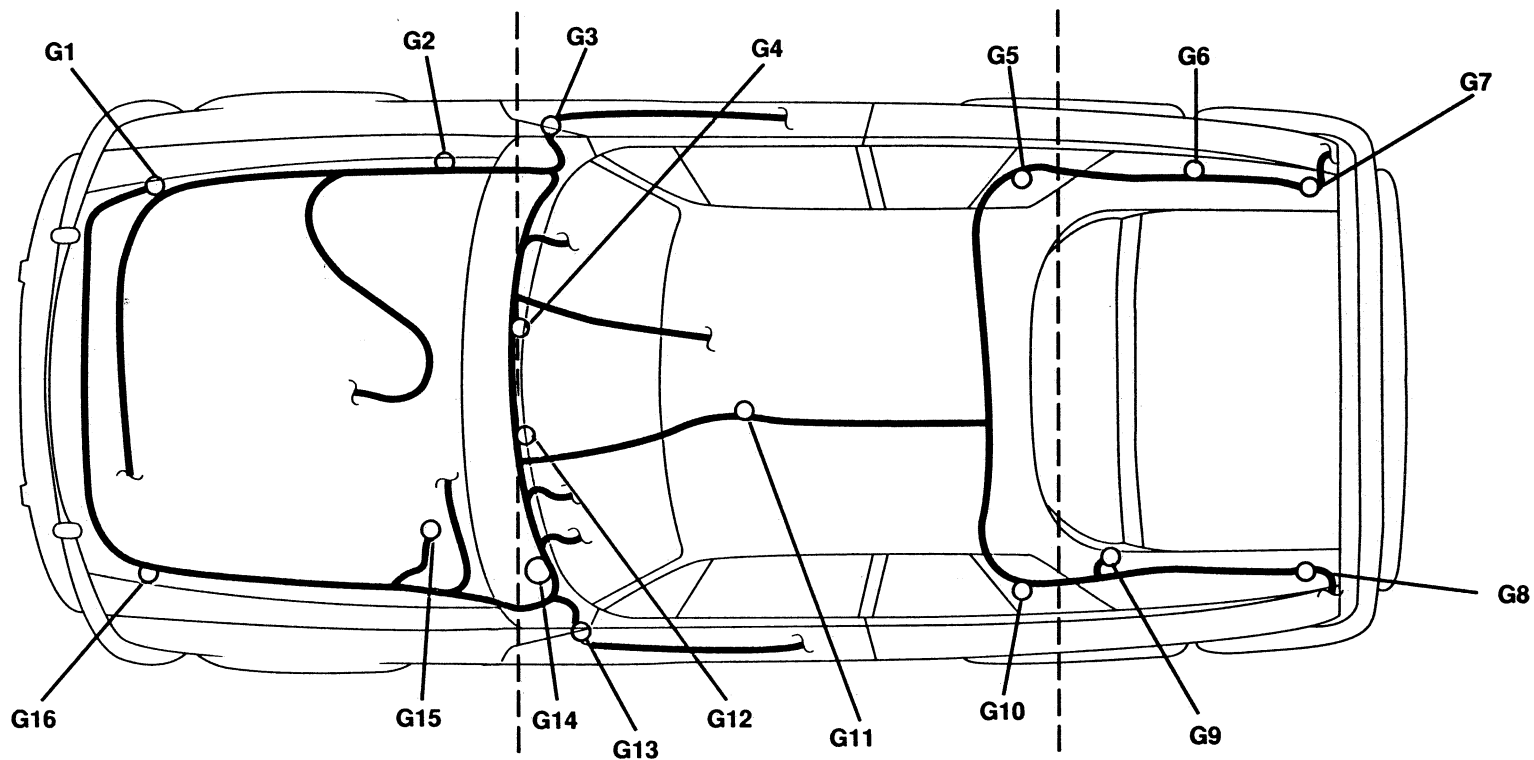
IN PASSENGER AREA

- CP1 RIGHT DOOR POST
- CP2 INSIDE RIGHT DOOR
- CP3 RIGHT REAR, UNDER SEAT
- CP4 LEFT REAR, UNDER SEAT
- CP5 INSIDE LEFT DOOR
- CP6 LEFT DOOR POST
- CP7 CENTER CONSOLE
- CP8 BEHIND CENTER PANEL (RIGHT SIDE)

REAR OF REAR BULKHEAD

- CR1 TRUNK, RIGHT SIDE
- CR2 RIGHT REAR CORNER
- CR3 LEFT REAR CORNER
- CR4 TRUNK, LEFT SIDE





G1 RIGHT FRONT INNER FENDER
 G2 RELAY CLUSTER
 G3 RIGHT "A" POST
 G4 CENTER SUPPORT RIGHT SIDE (BEHIND A/C)
 G5 RIGHT REAR WHEEL ARCH (UNDER REAR SEAT)
 (NOT USED THROUGH 1987 MY)
 G6 TRUNK RIGHT SIDE
 G7 RIGHT REAR INNER FENDER
 G8 LEFT REAR INNER FENDER

G9 REAR WINDOW-LEFT
 G10 LEFT REAR WHEEL ARCH (UNDER REAR SEAT)
 (NOT USED THROUGH 1987 MY)
 G11 CENTER CONSOLE
 G12 CENTER SUPPORT LEFT SIDE (BEHIND A/C)
 G13 LEFT "A" POST
 G14 FRONT BULKHEAD (BEHIND INST. PANEL)
 G15 FRONT BULKHEAD (ENGINE SIDE)
 G16 LEFT FRONT INNER FENDER

FIG 1.2

CHASSIS GROUND POINTS

XJ-S
 1988 MY

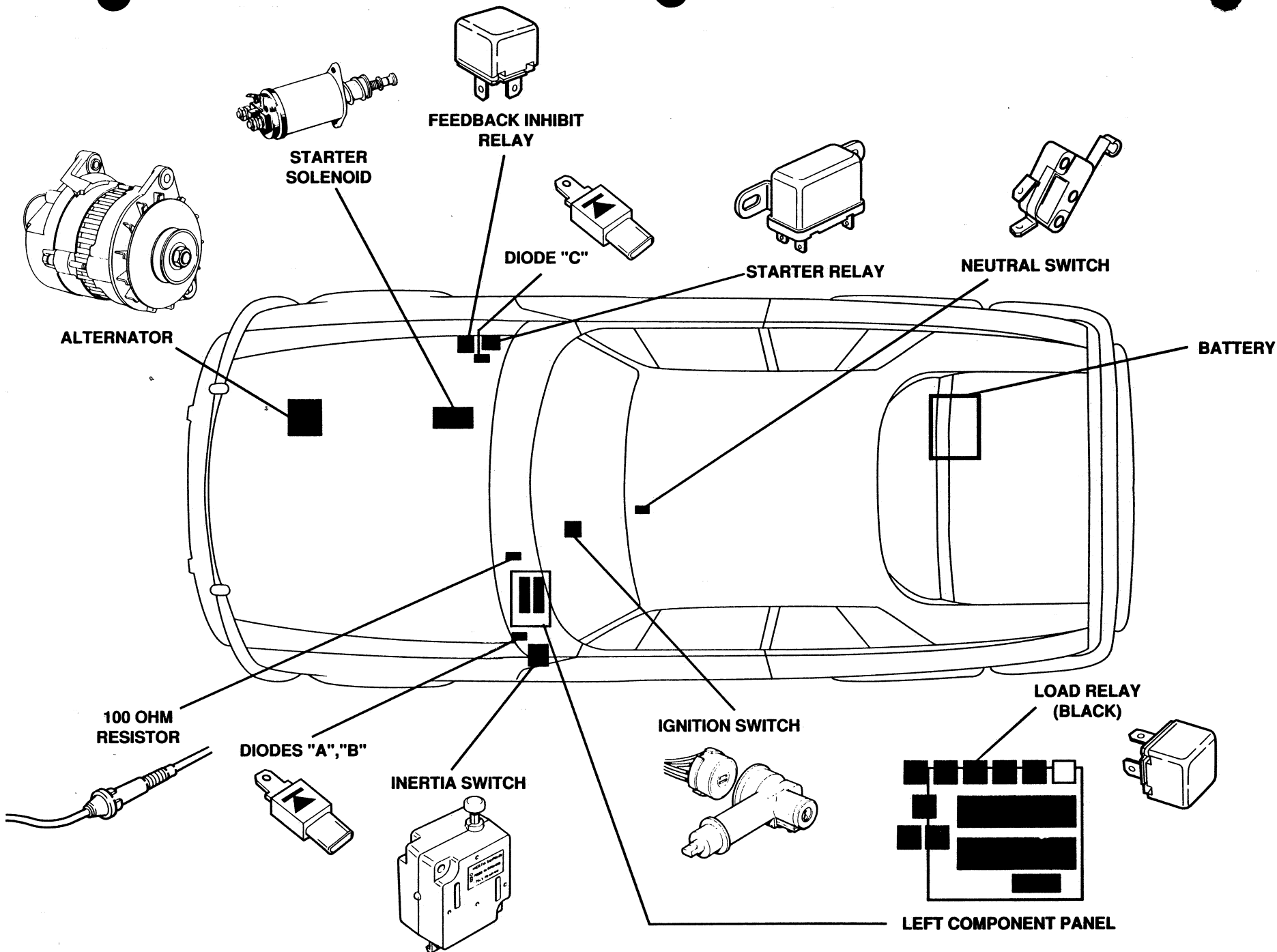
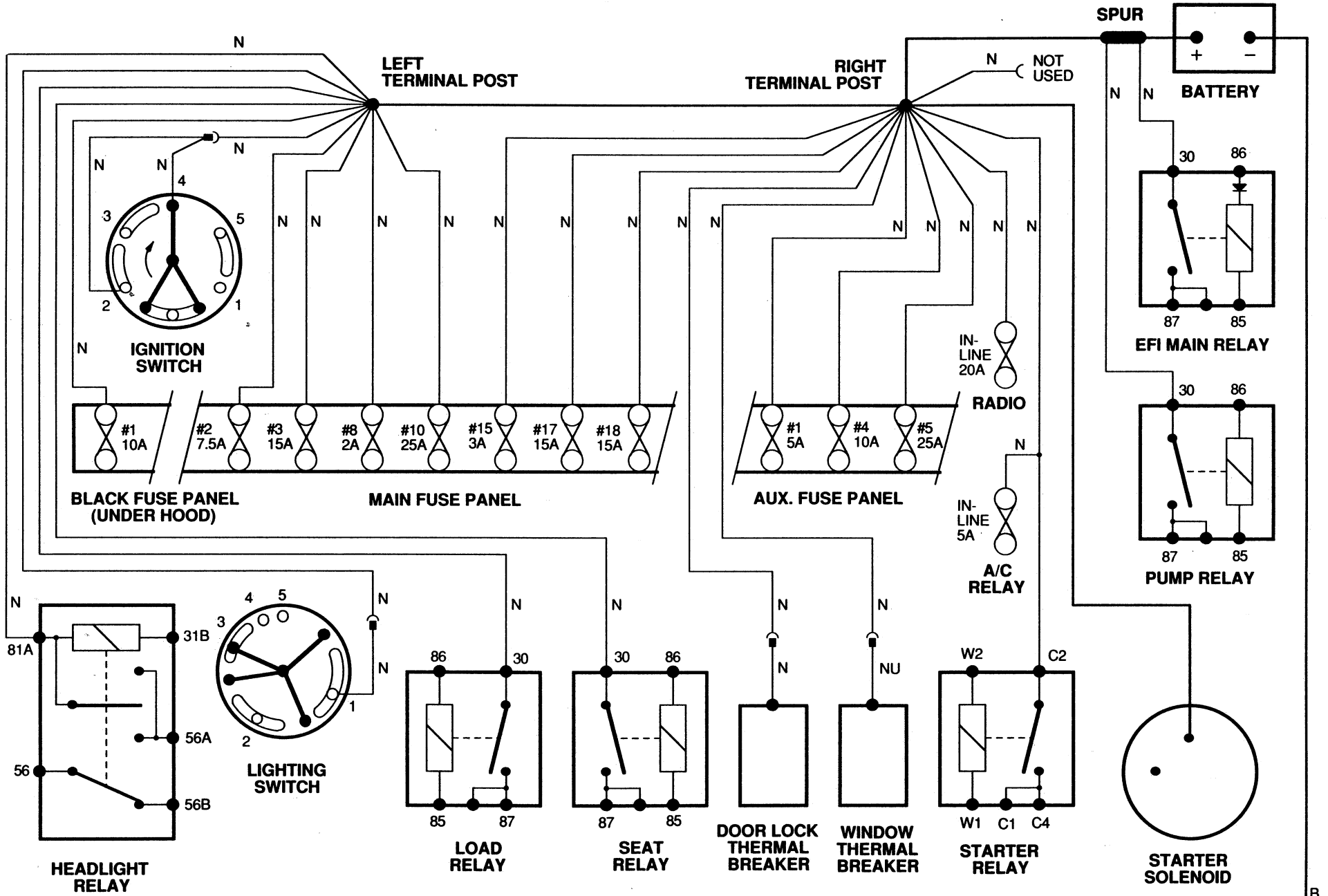


FIG 2.2

BATTERY; STARTER; ALTERNATOR

XJ-S
1988 MY

FIG 3.1



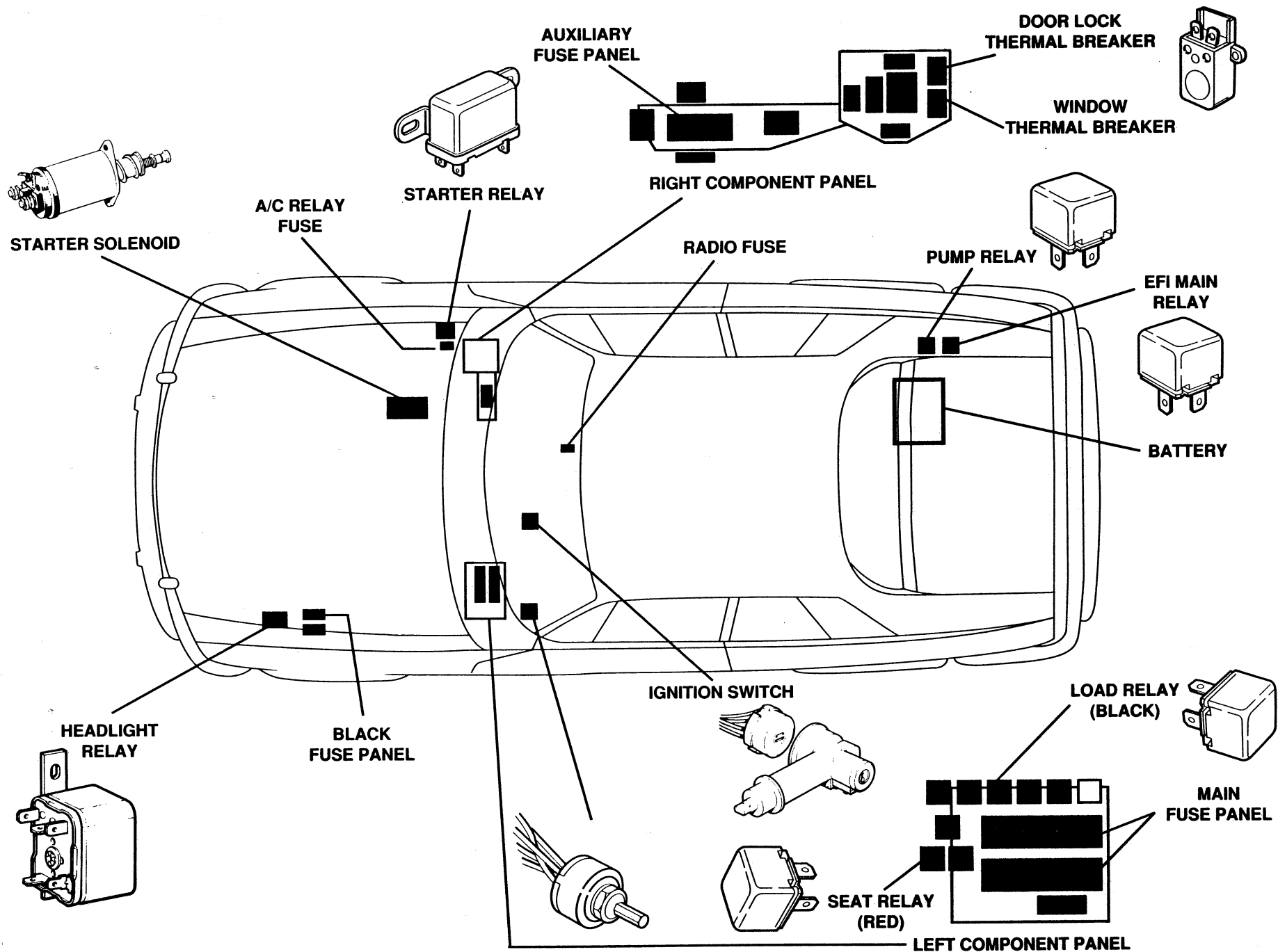
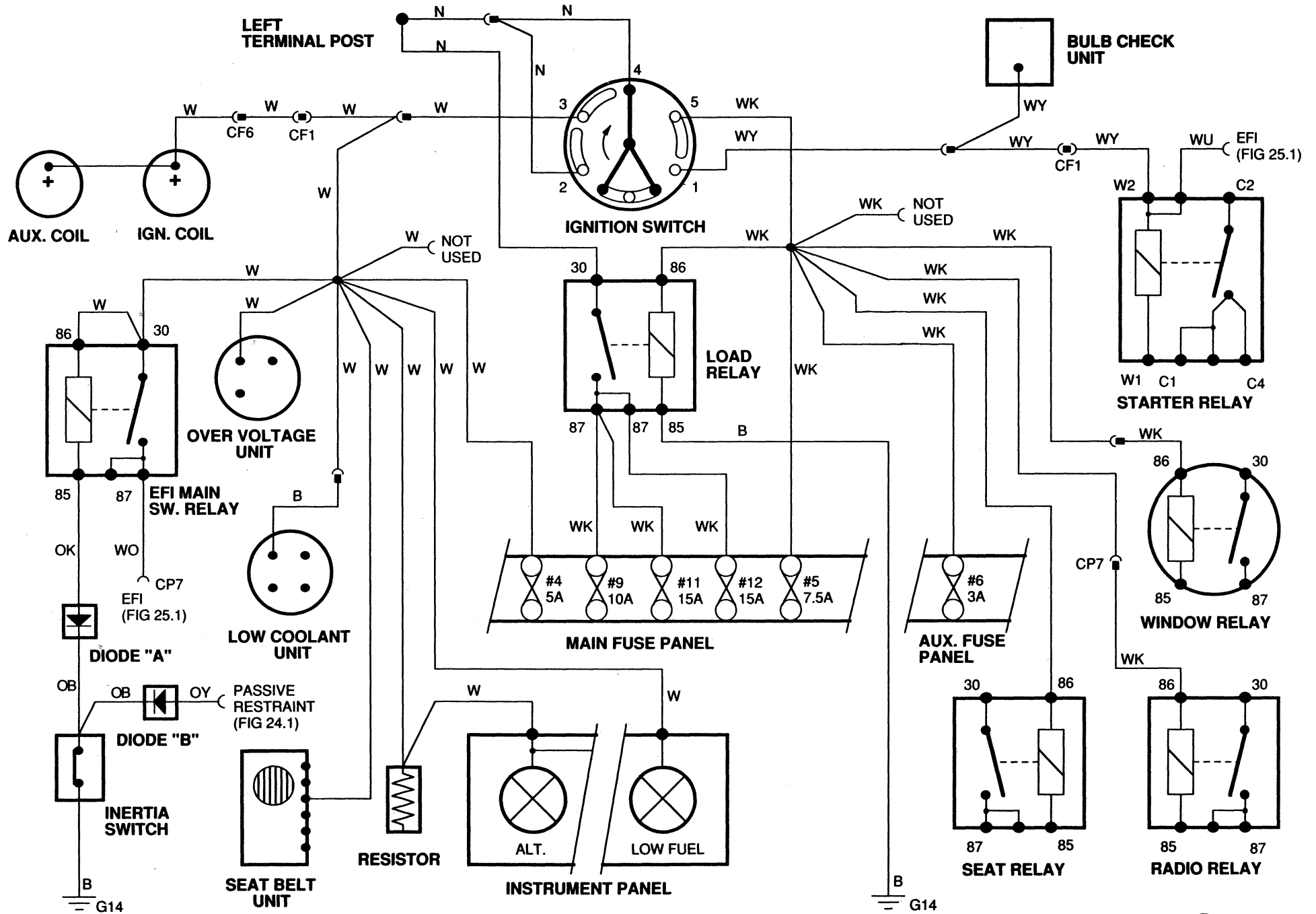


FIG 3.2

POWER DISTRIBUTION - DIRECT BATTERY FEEDS

XJ-S
1988 MY



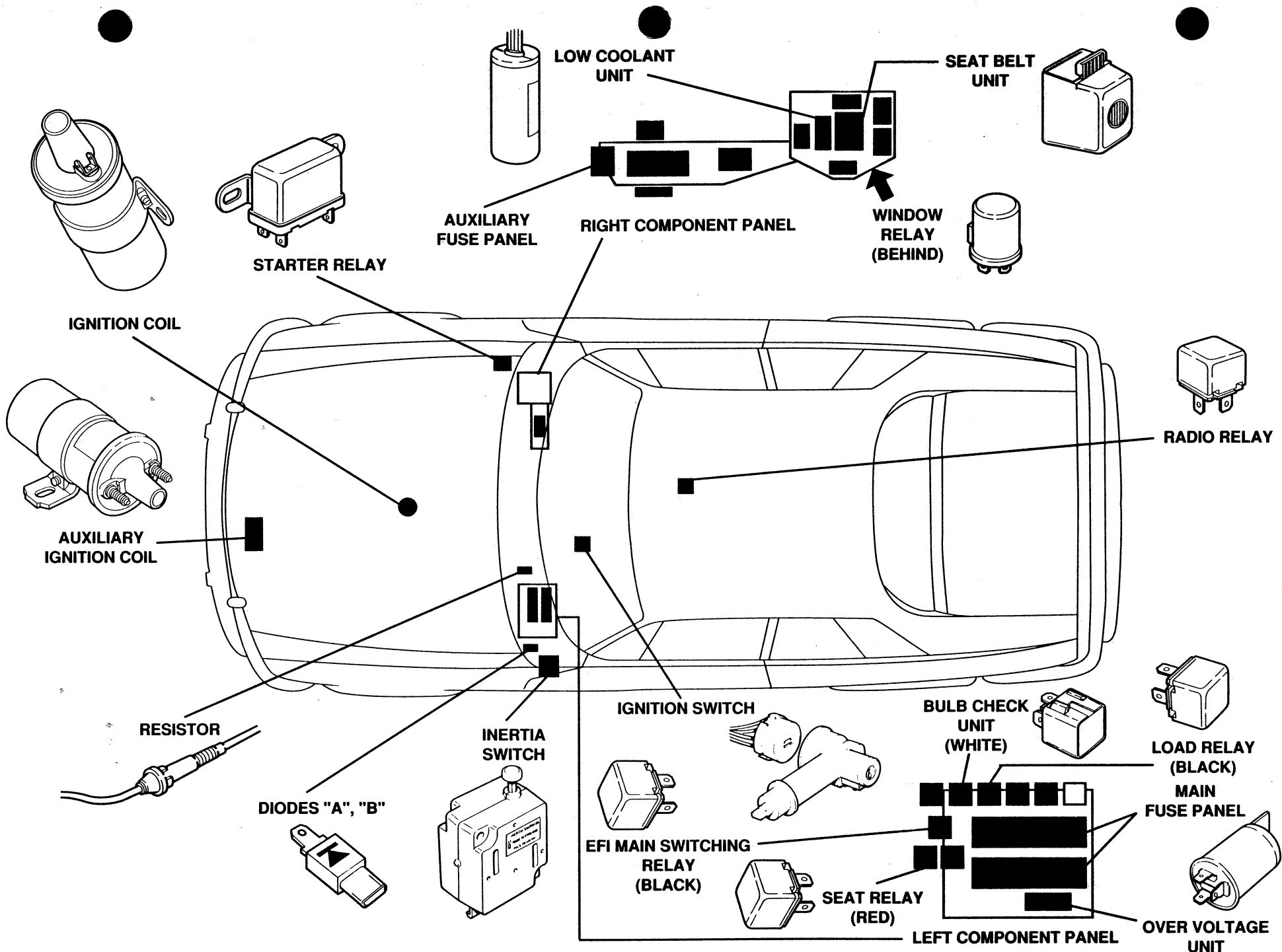
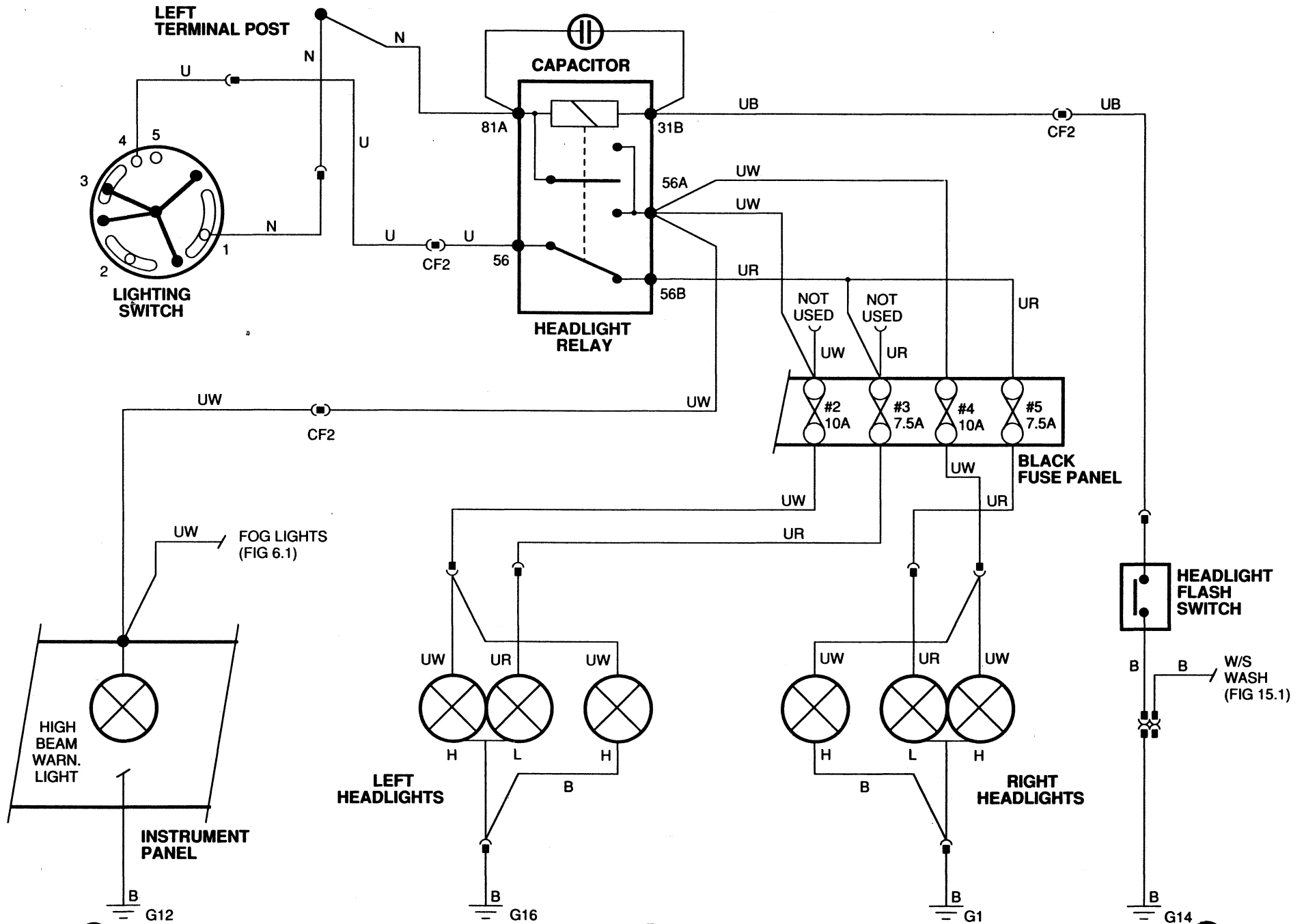


FIG 4.2

POWER DISTRIBUTION - IGNITION FEEDS

XJ-S
1988 MY



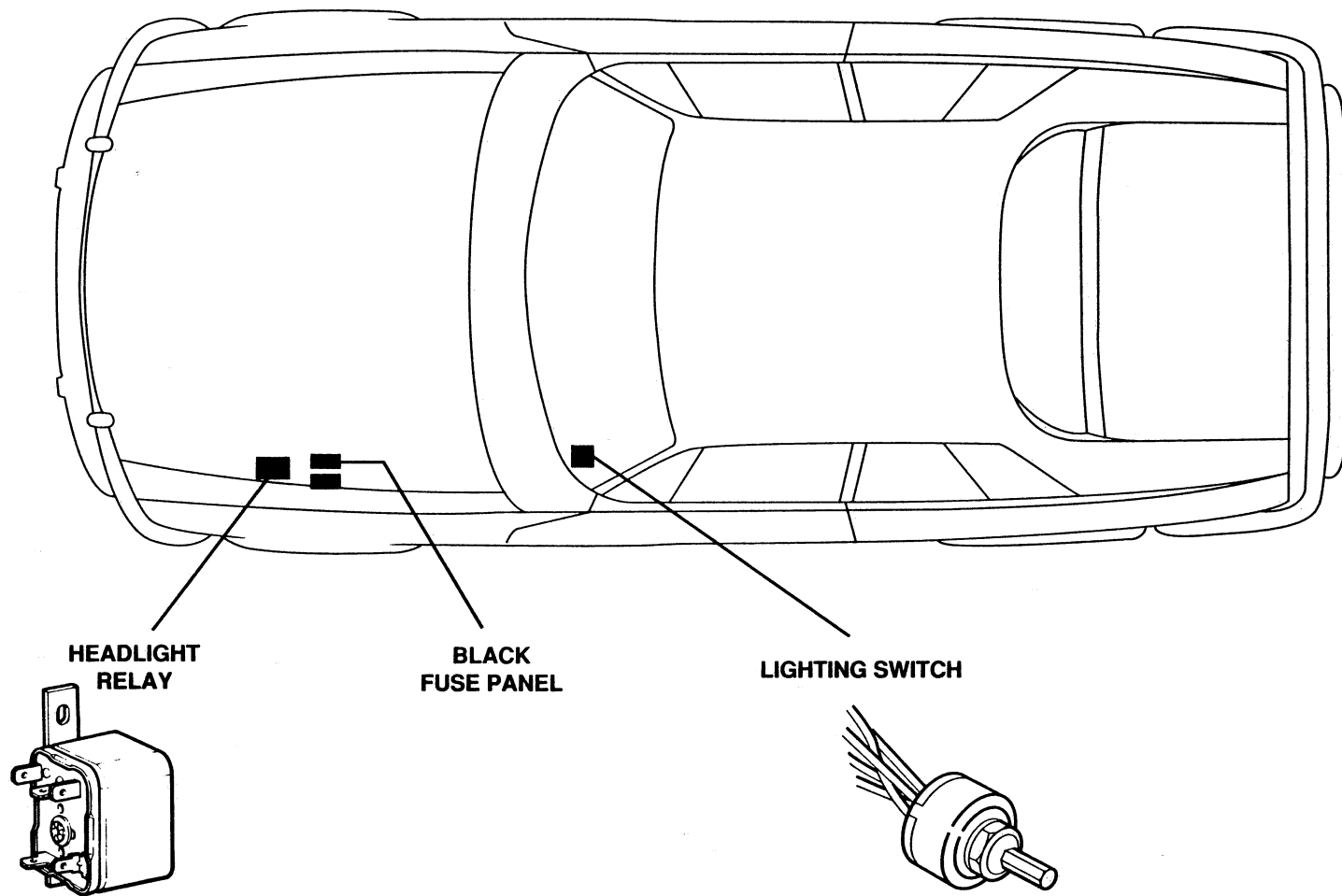
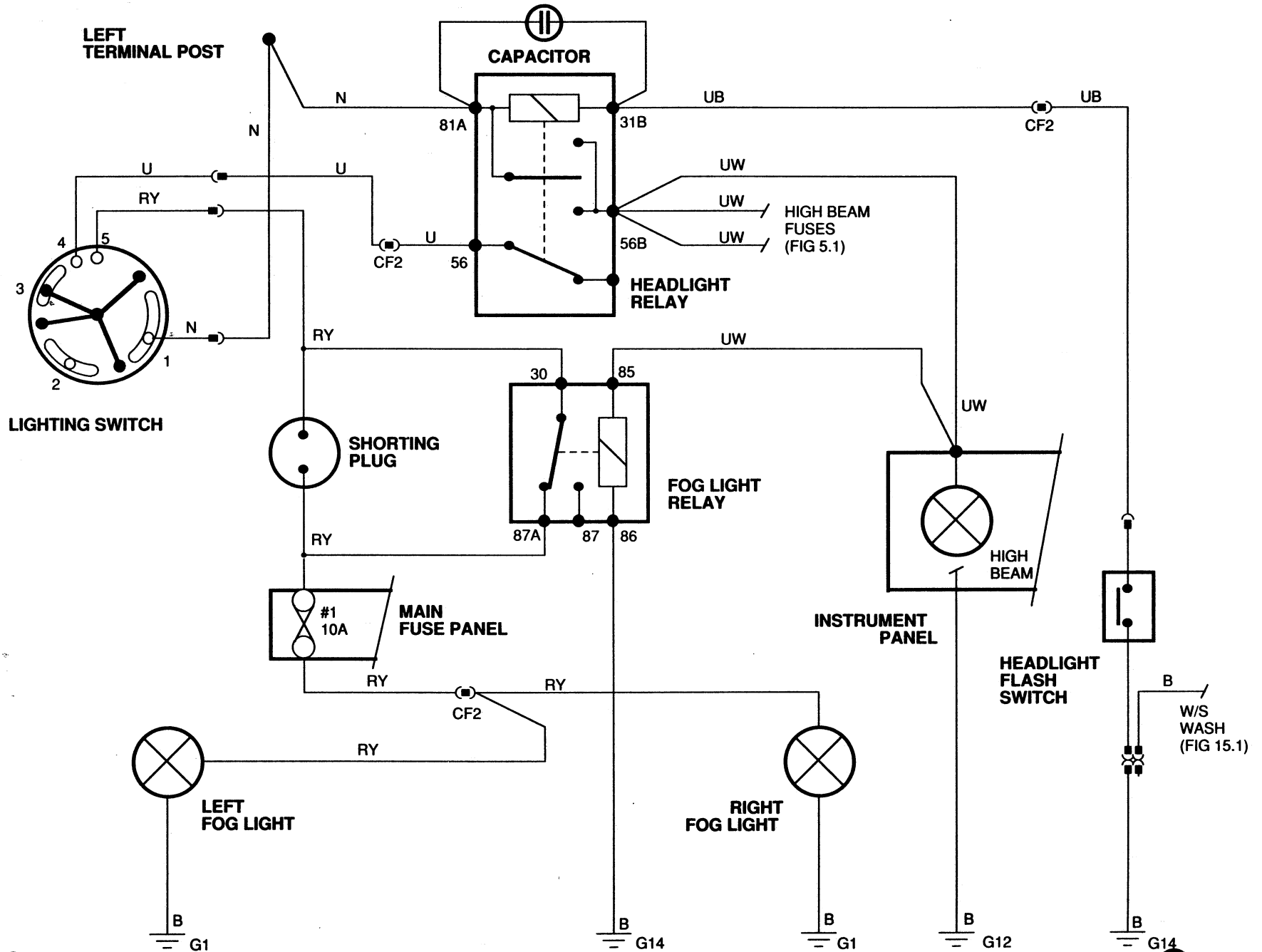


FIG 5.2

HEADLIGHTS

XJ-S
1988 MY



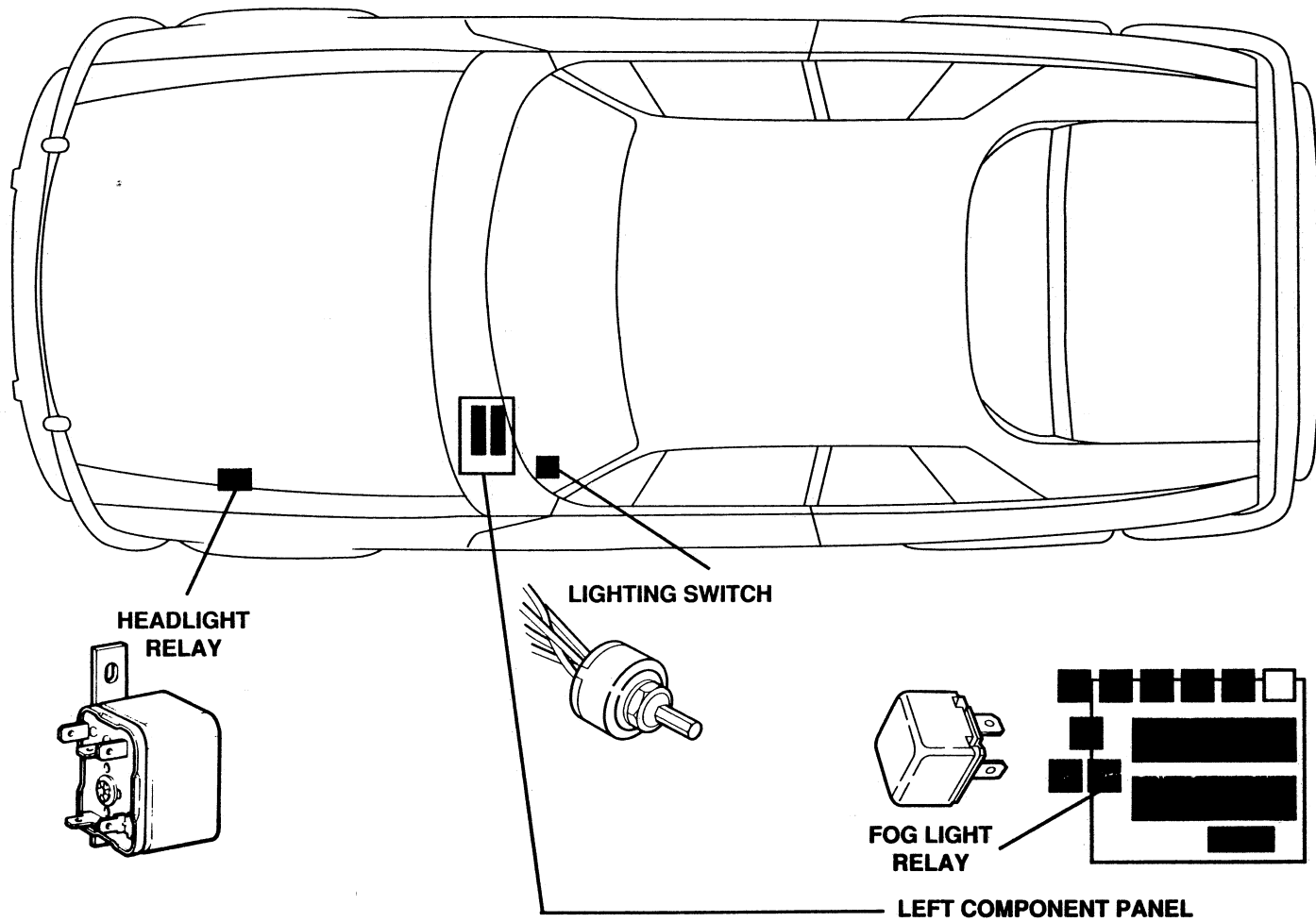
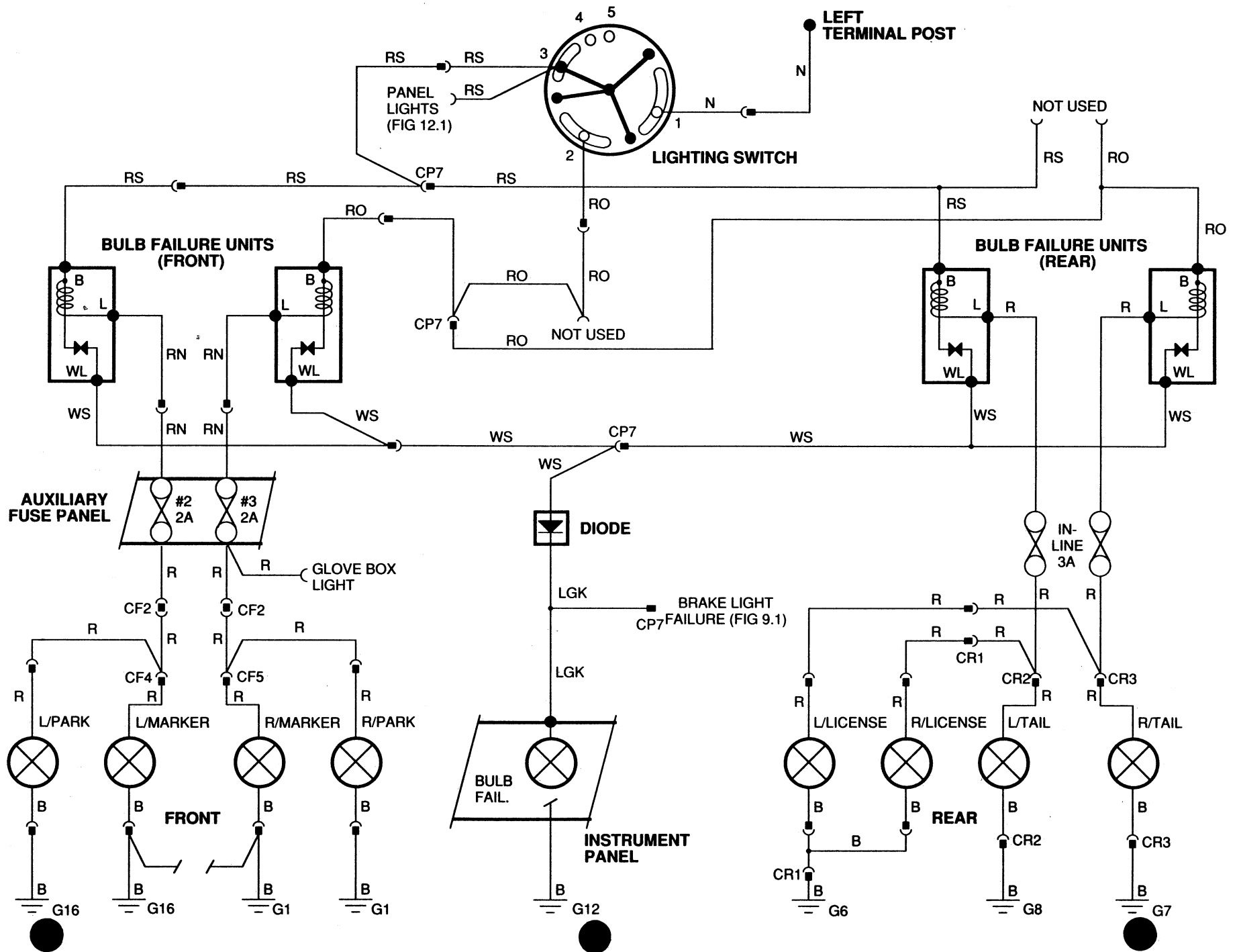


FIG 6.2

FOG LIGHTS

XJ-S
1988 MY



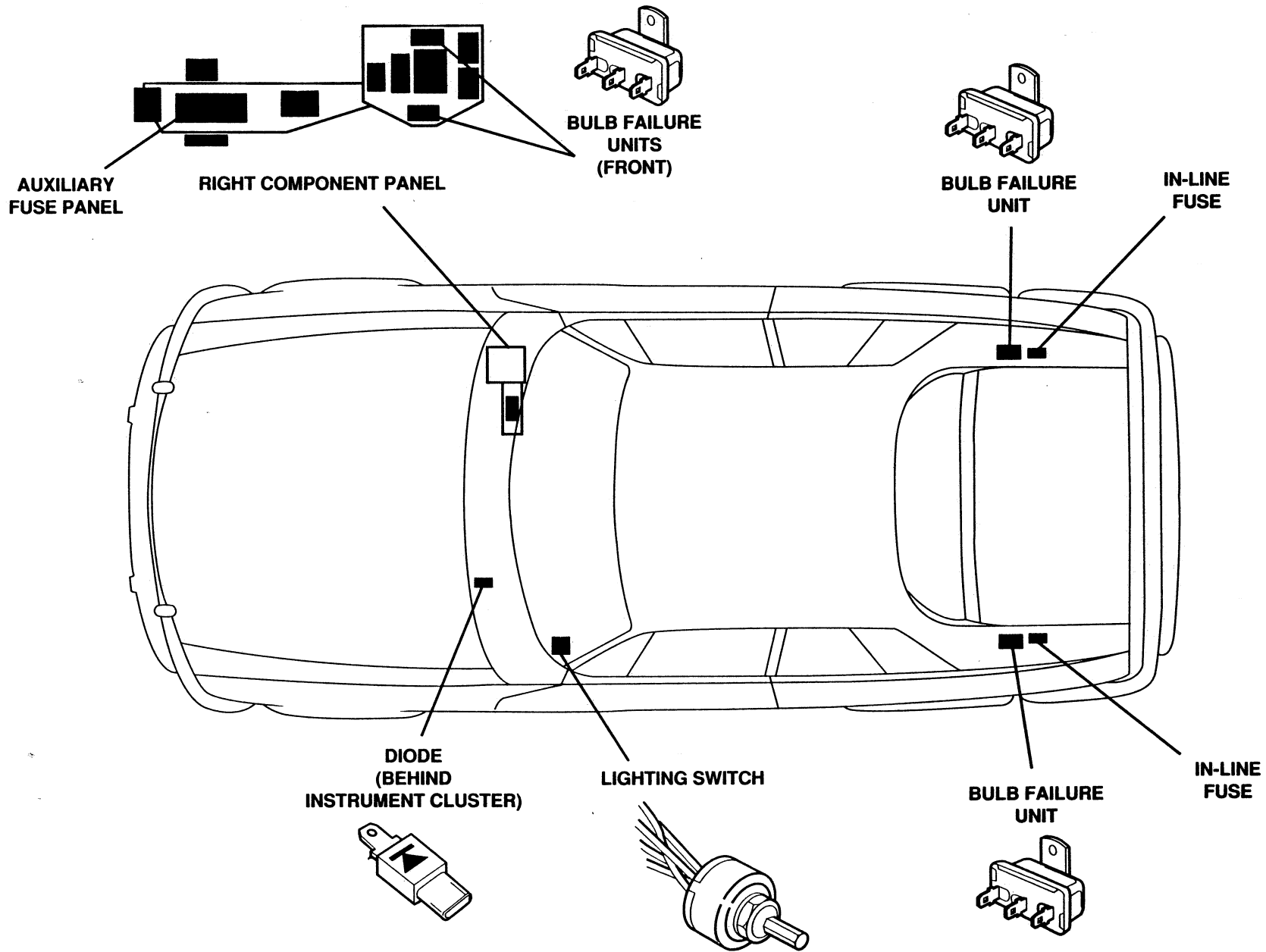
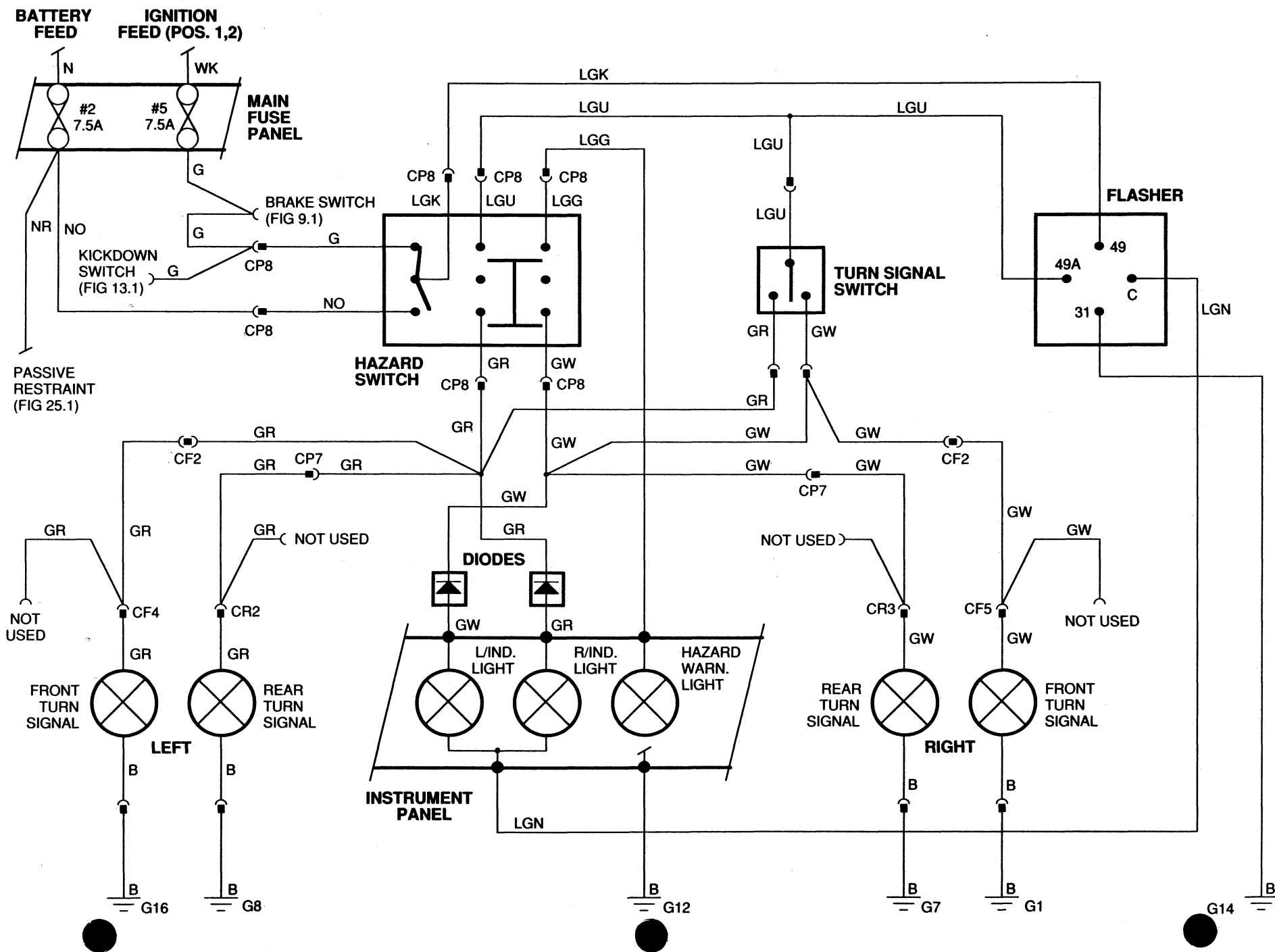


FIG 7.2

PARKING LIGHTS; MARKER LIGHTS

XJ-S
1988 MY



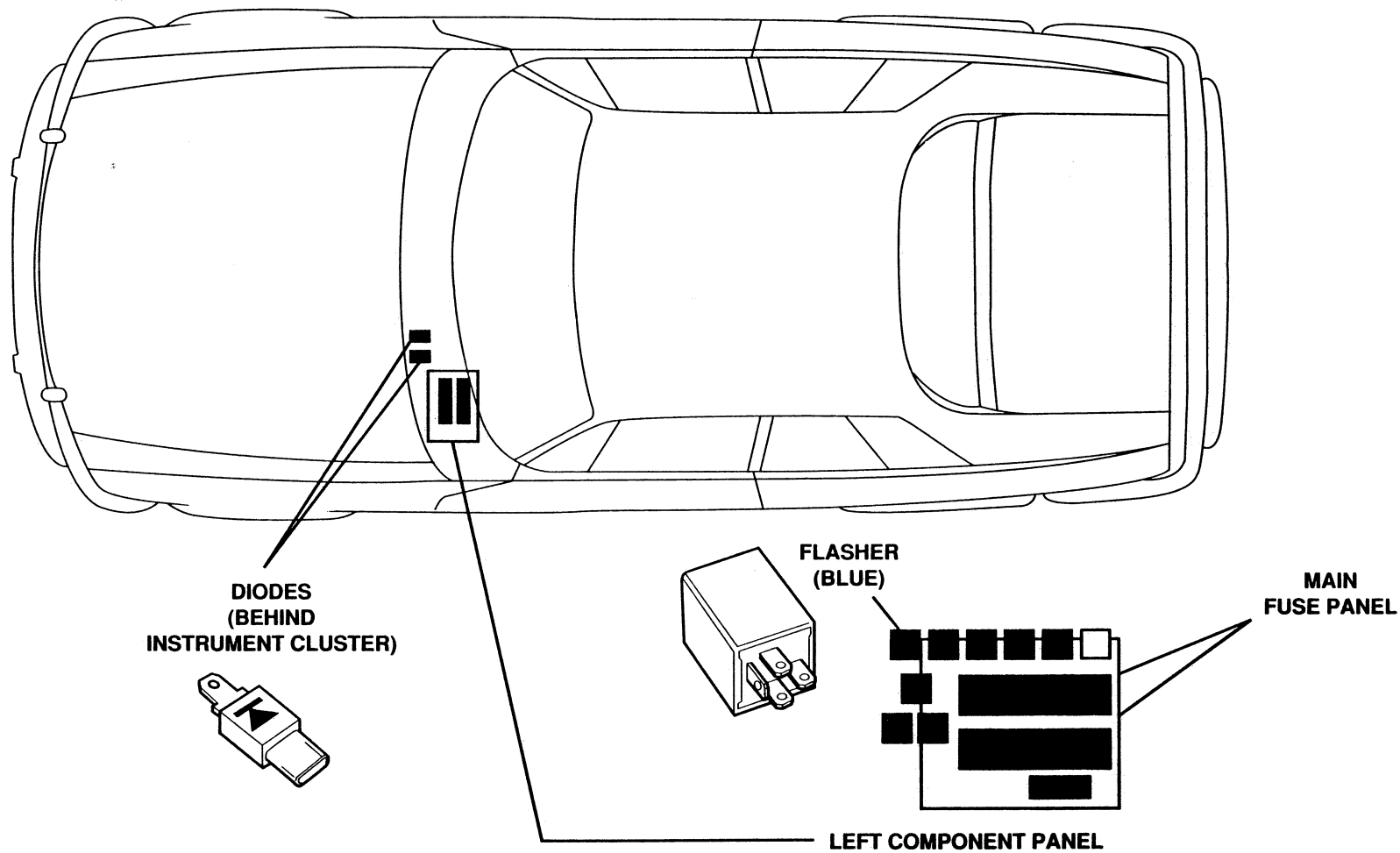
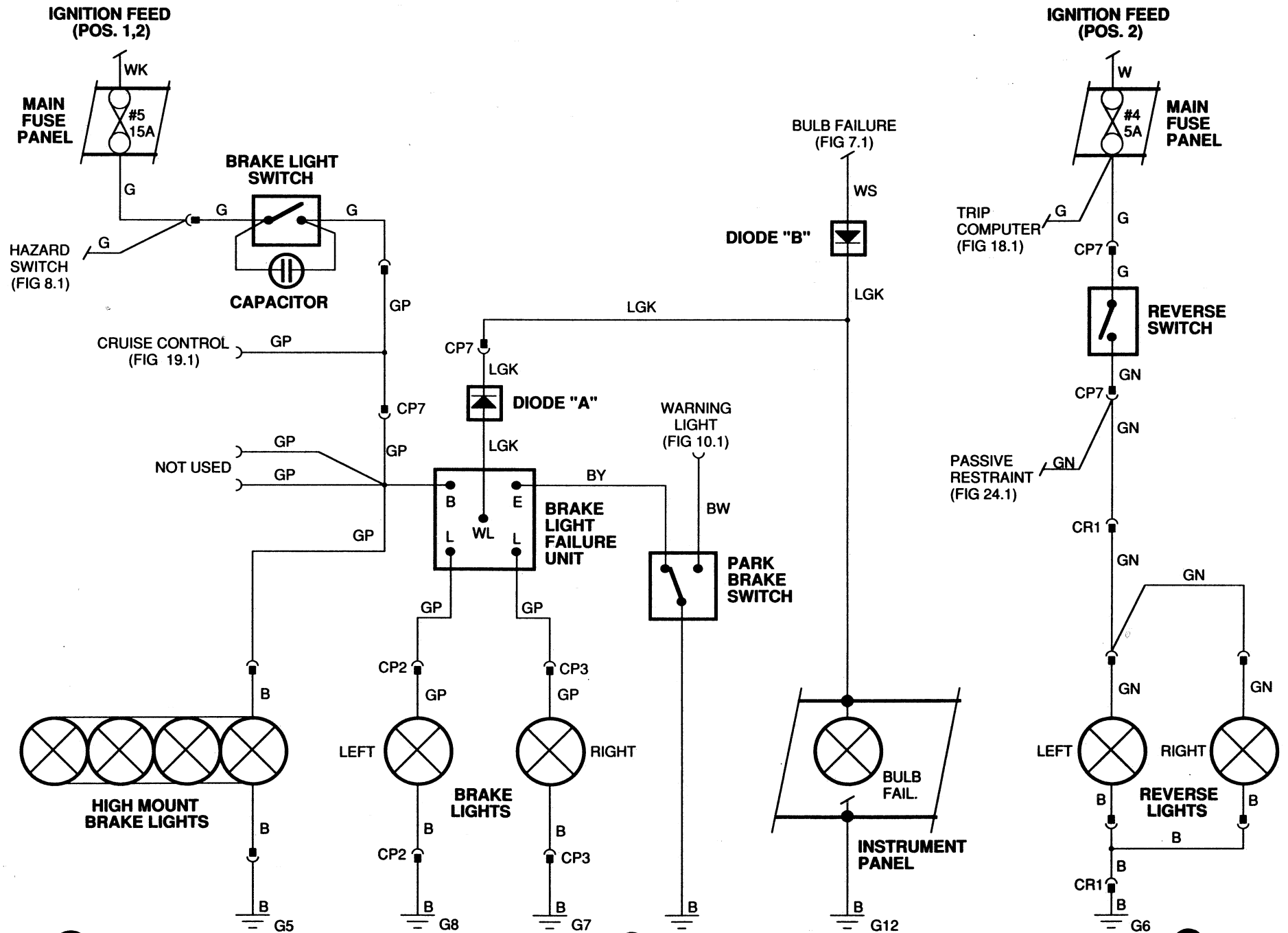


FIG 8.2

HAZARD; TURN SIGNALS

XJ-S
1988 MY



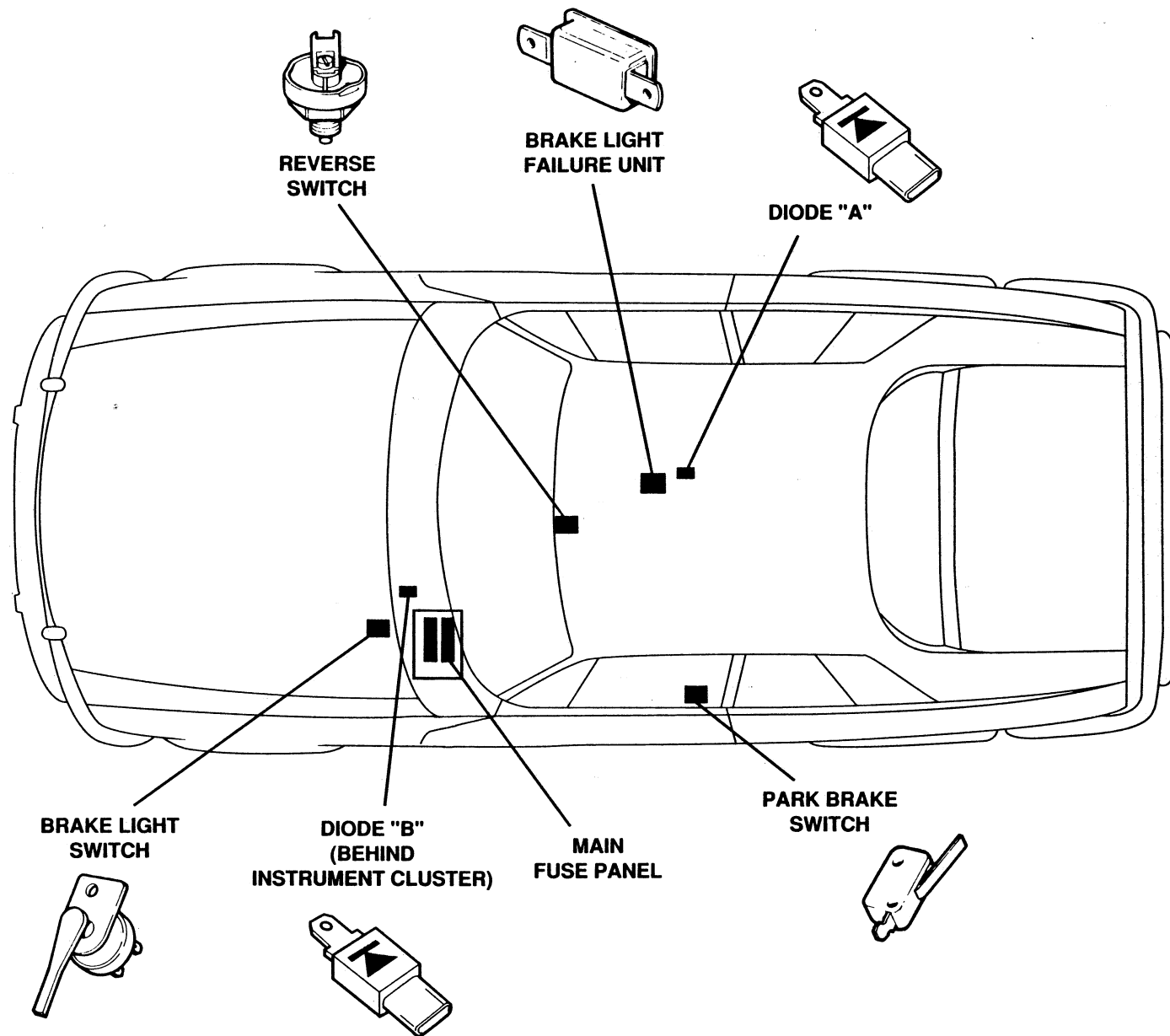


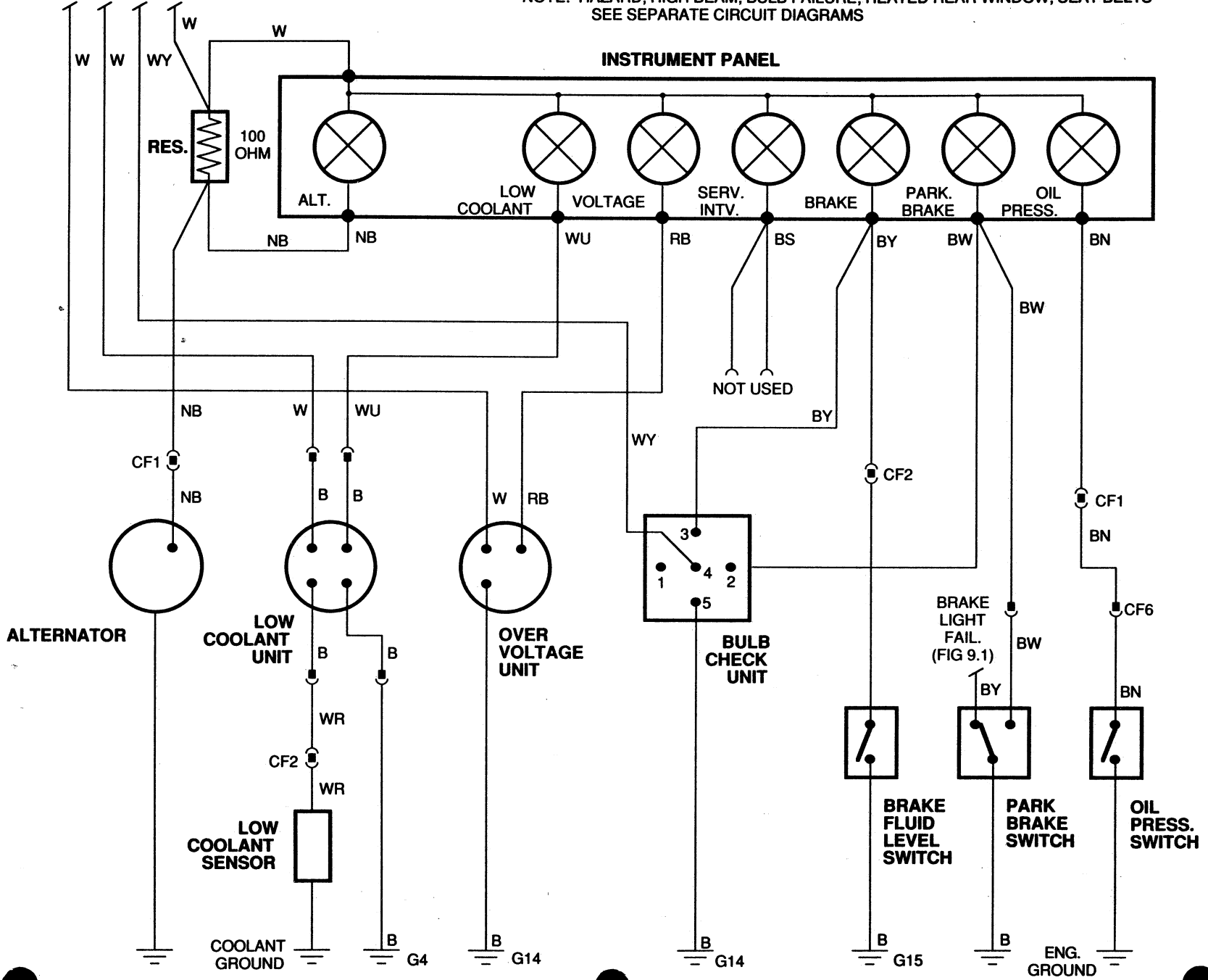
FIG 9.2

BRAKE LIGHTS; REVERSE LIGHTS

XJ-S
1988 MY

IGNITION FEED (POS. 2)

NOTE: HAZARD; HIGH BEAM; BULB FAILURE; HEATED REAR WINDOW; SEAT BELTS—
SEE SEPARATE CIRCUIT DIAGRAMS



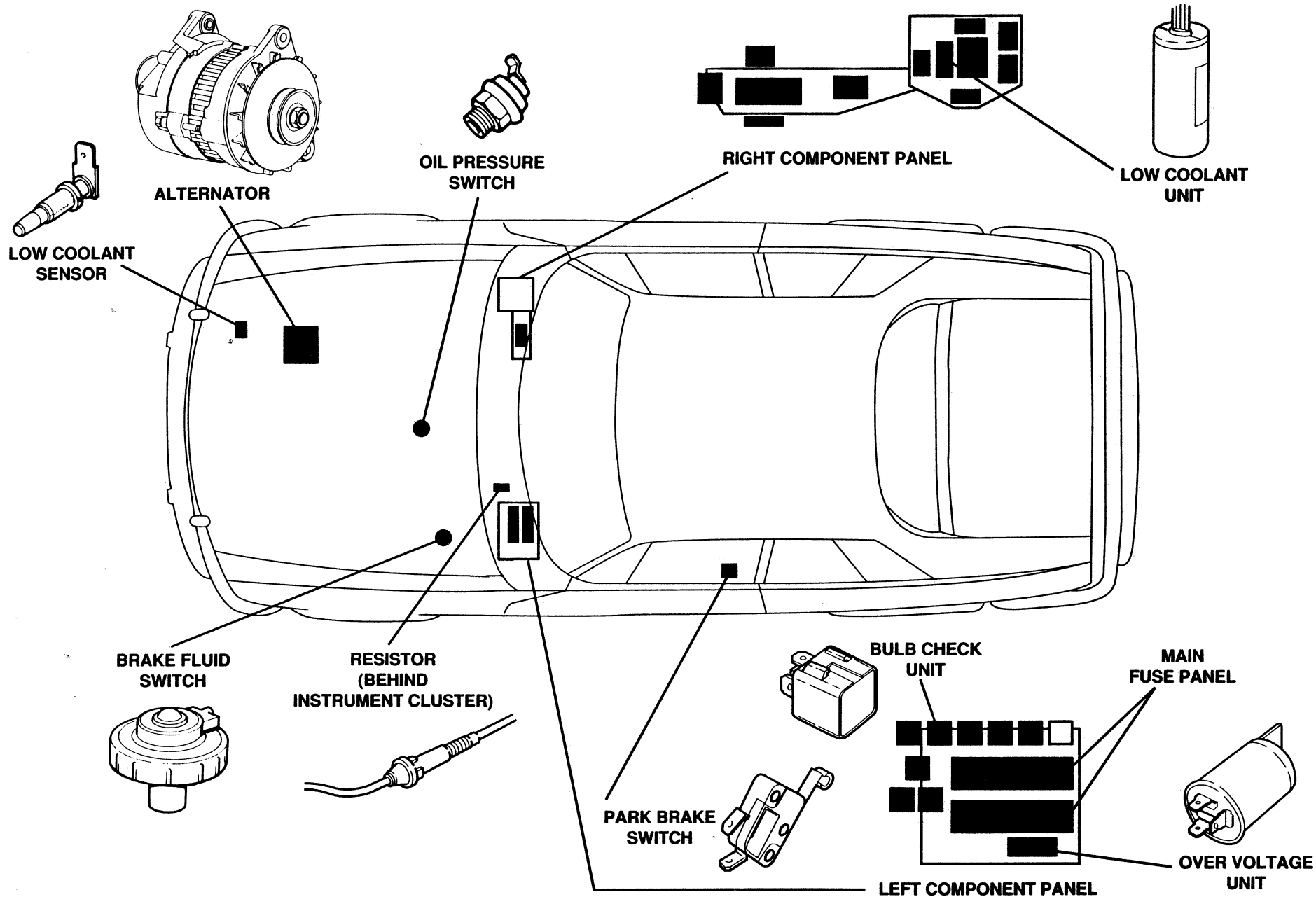
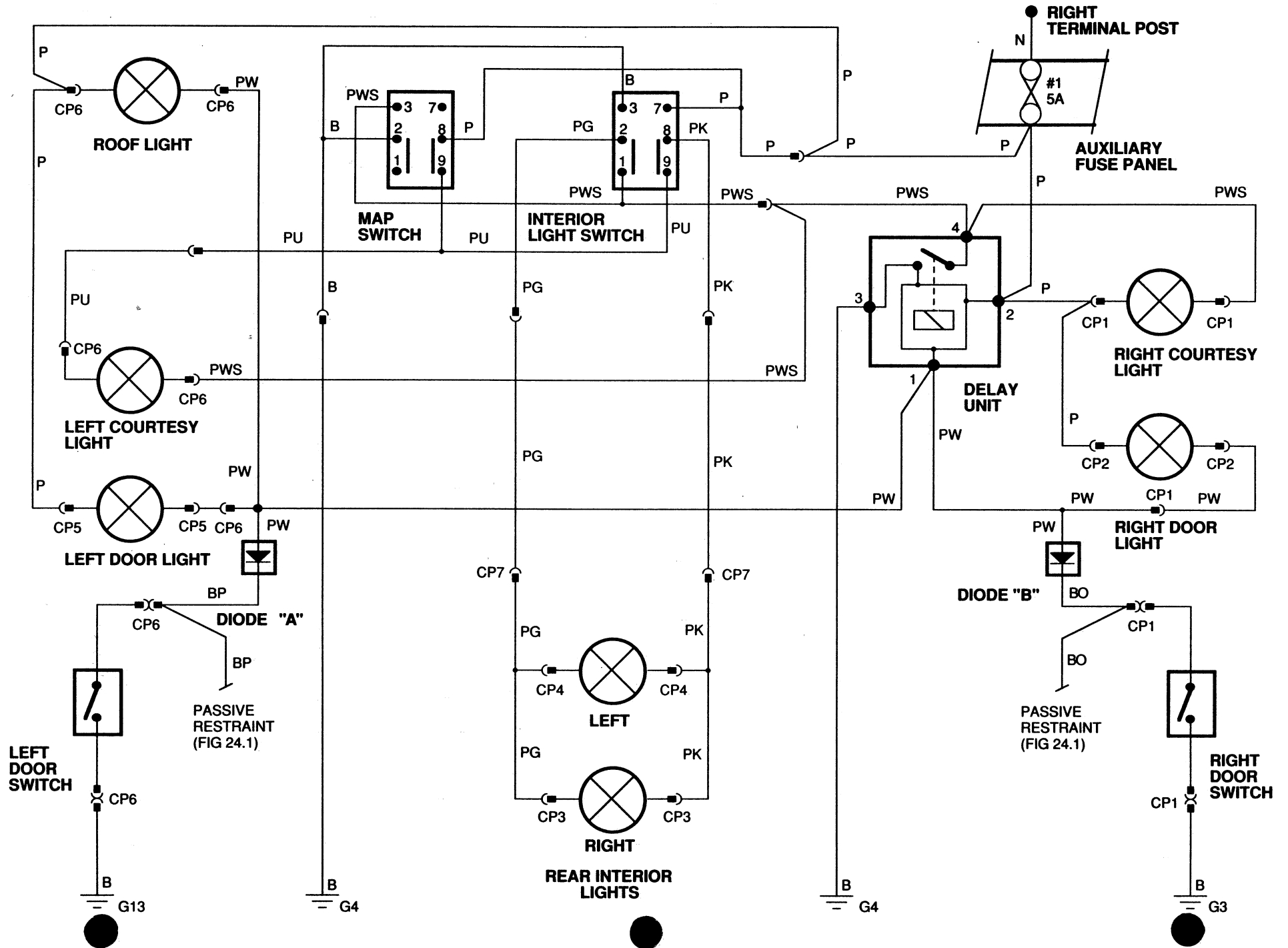


FIG 10.2

WARNING LIGHTS

XJ-S
1988 MY



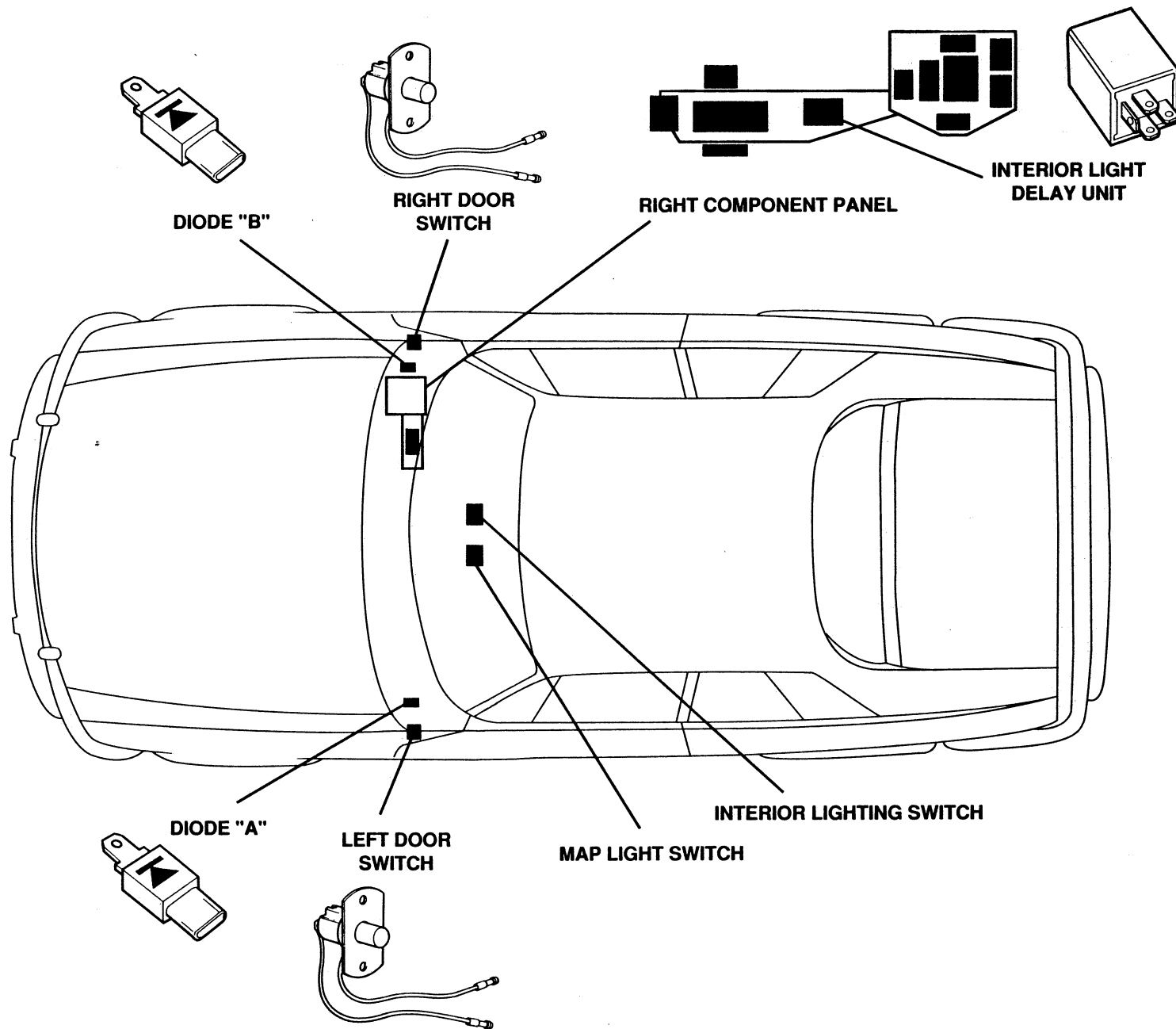
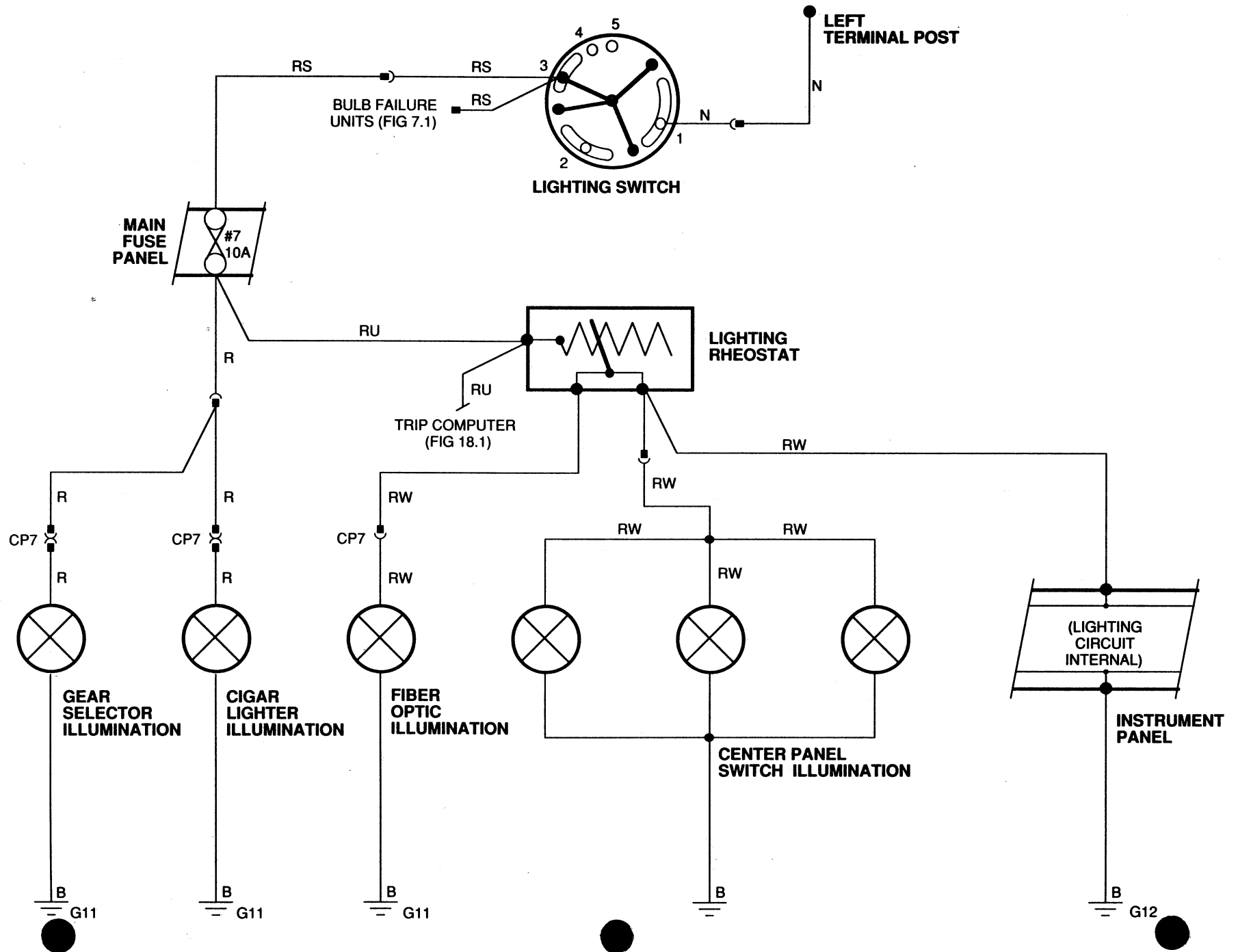
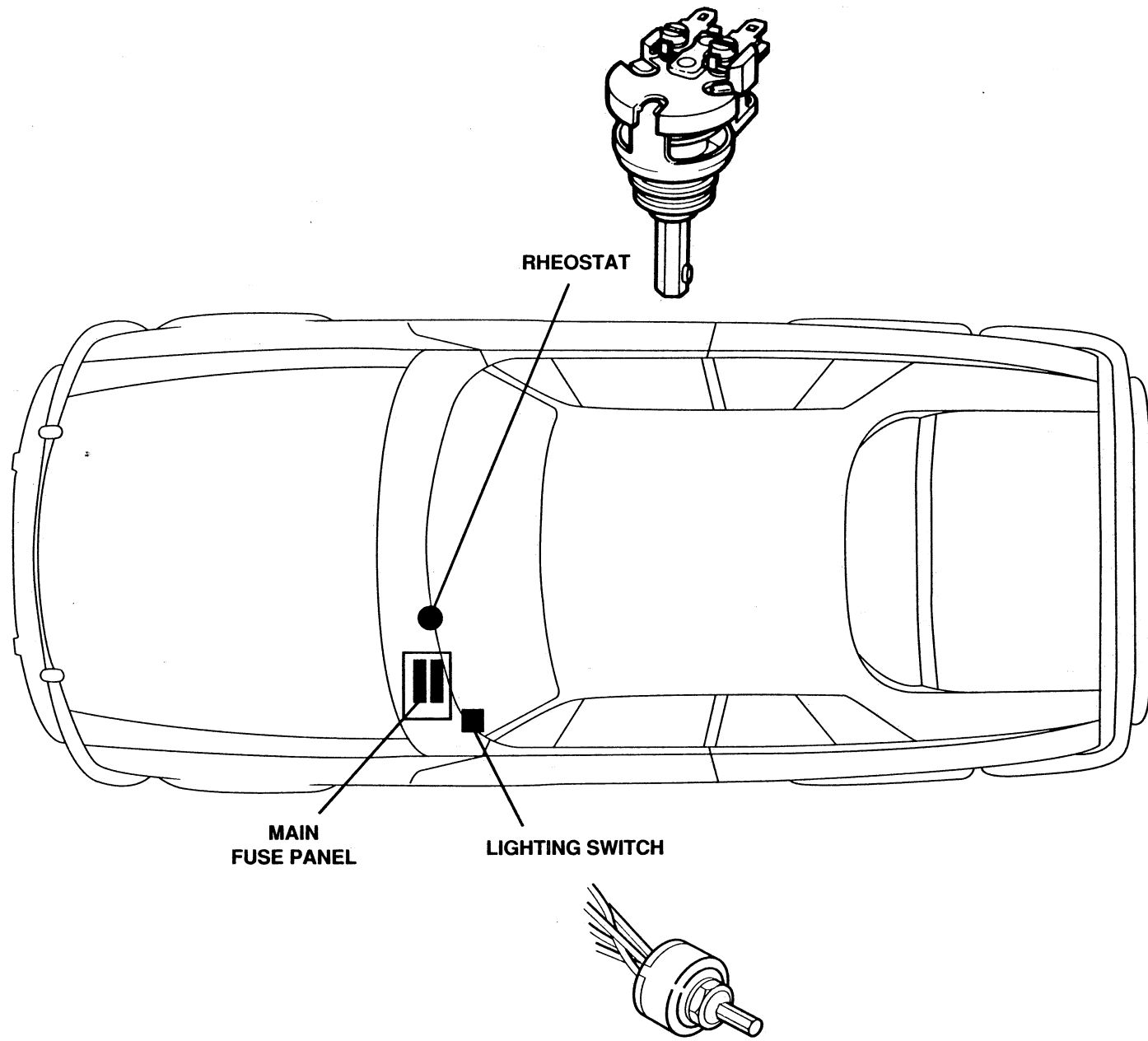


FIG 11.2

INTERIOR LIGHTING

XJ-S
1988 MY





RHEOSTAT

MAIN
FUSE PANEL

LIGHTING SWITCH

FIG 12.2

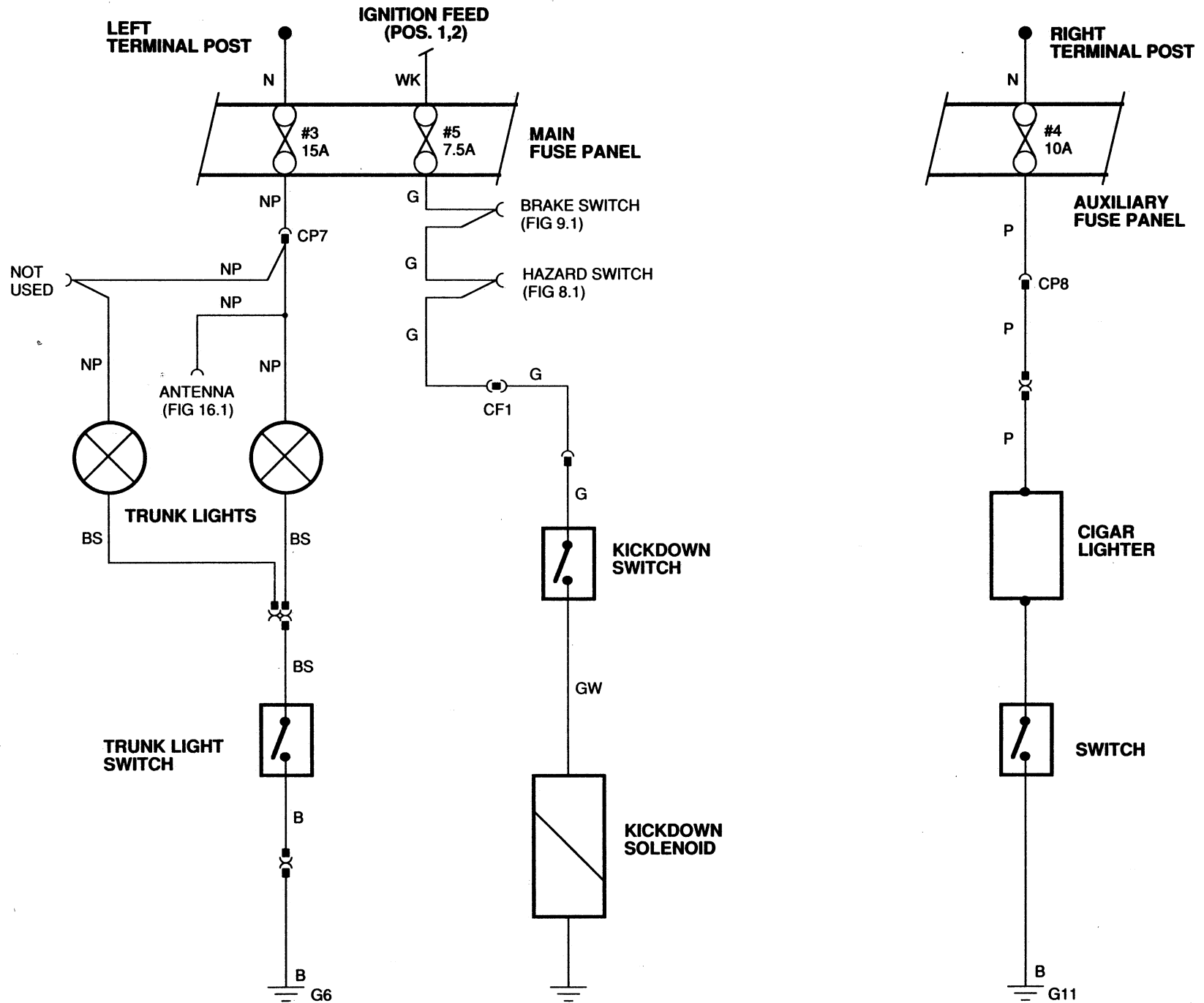
PANEL LIGHTS

XJ-S
1988 MY

FIG 13.1

TRUNK LIGHTS; TRANSMISSION KICKDOWN; CIGAR LIGHTER

XJ-S
1988 MY



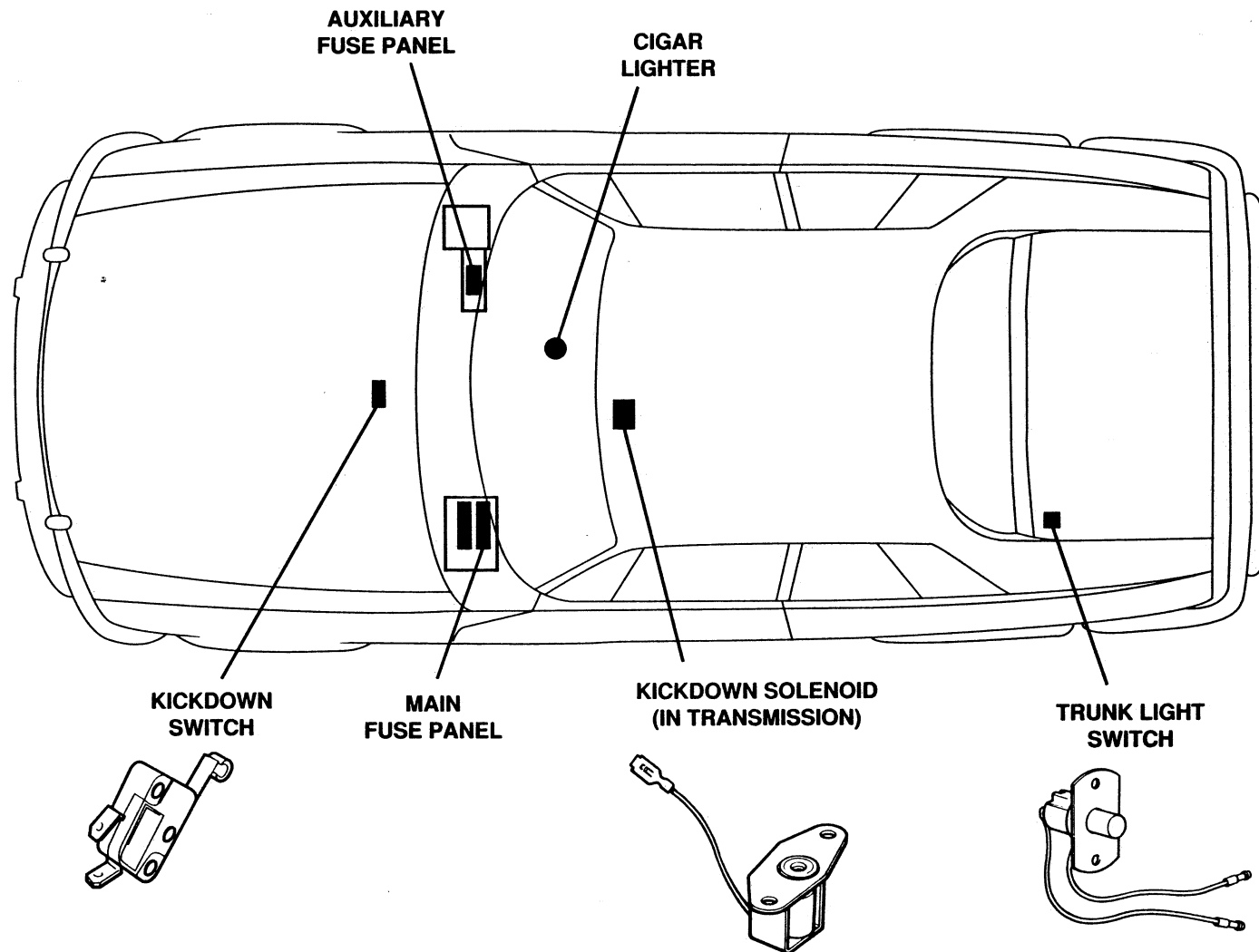


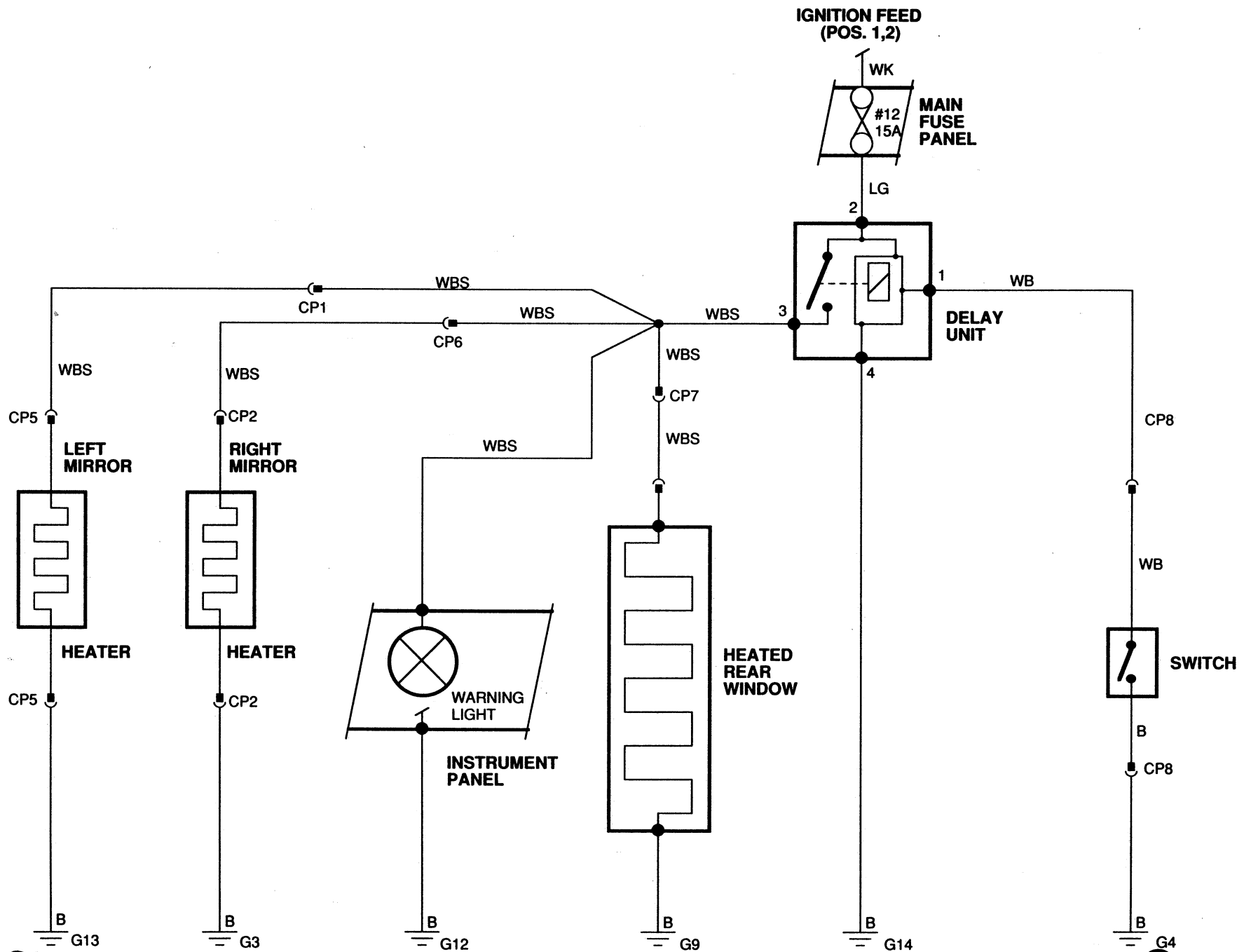
FIG 13.2

TRUNK LIGHTS; TRANSMISSION KICKDOWN; CIGAR LIGHTER

FIG 14.1

HEATED REAR WINDOW; HEATED MIRRORS

XJ-S
1988 MY



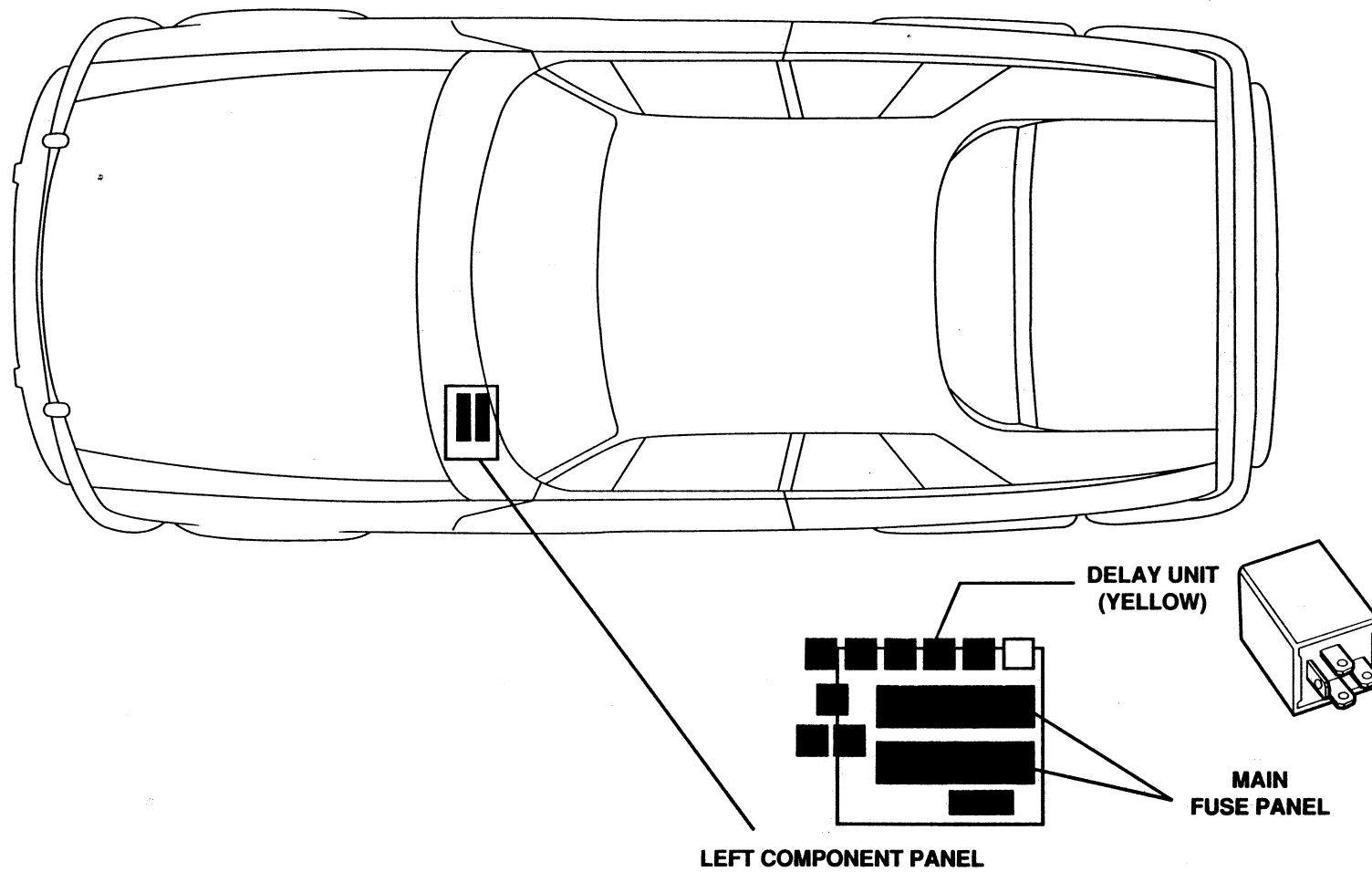
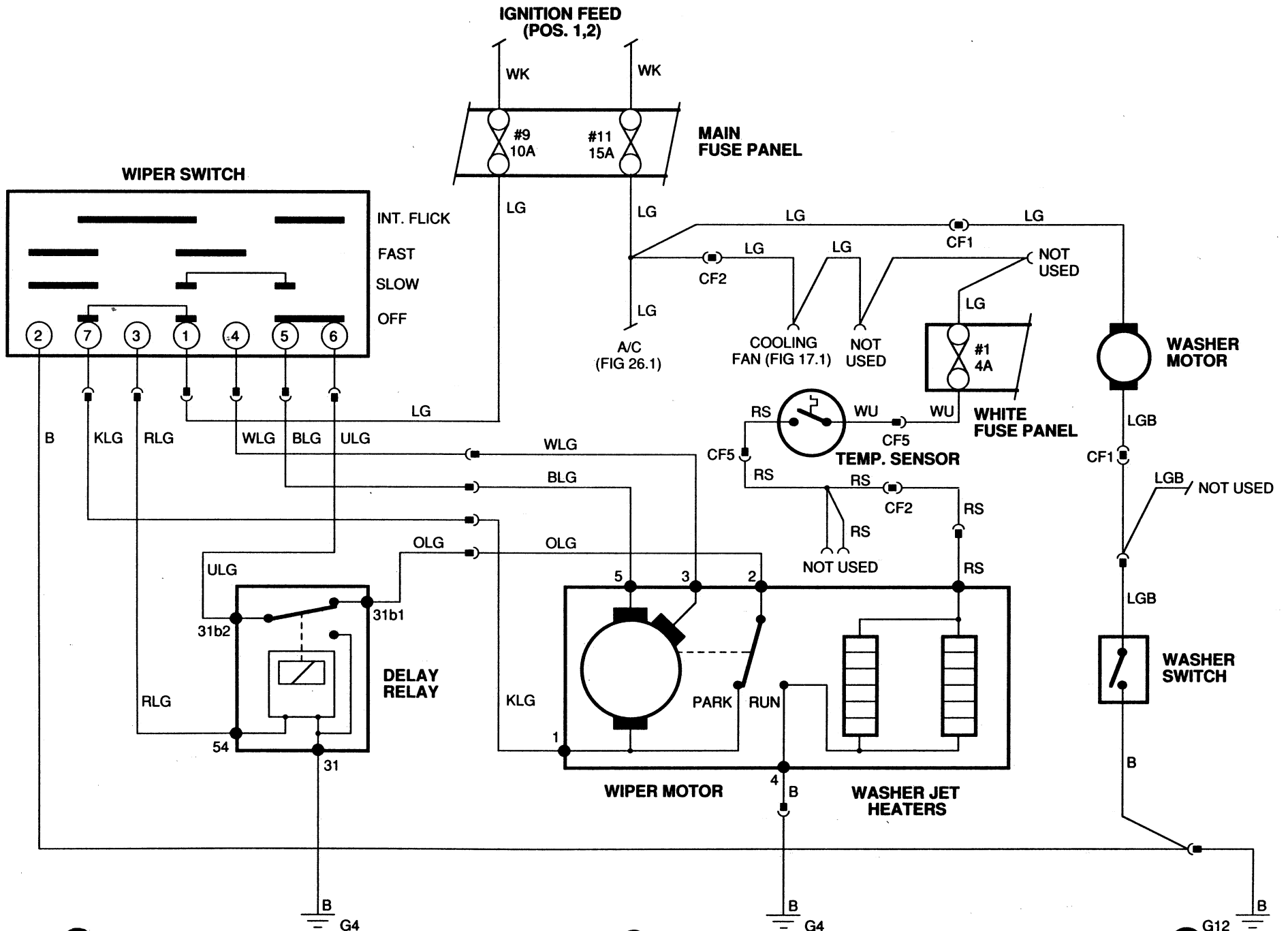


FIG 14.2

HEATED REAR WINDOW; HEATED MIRRORS

XJ-S
1988 MY



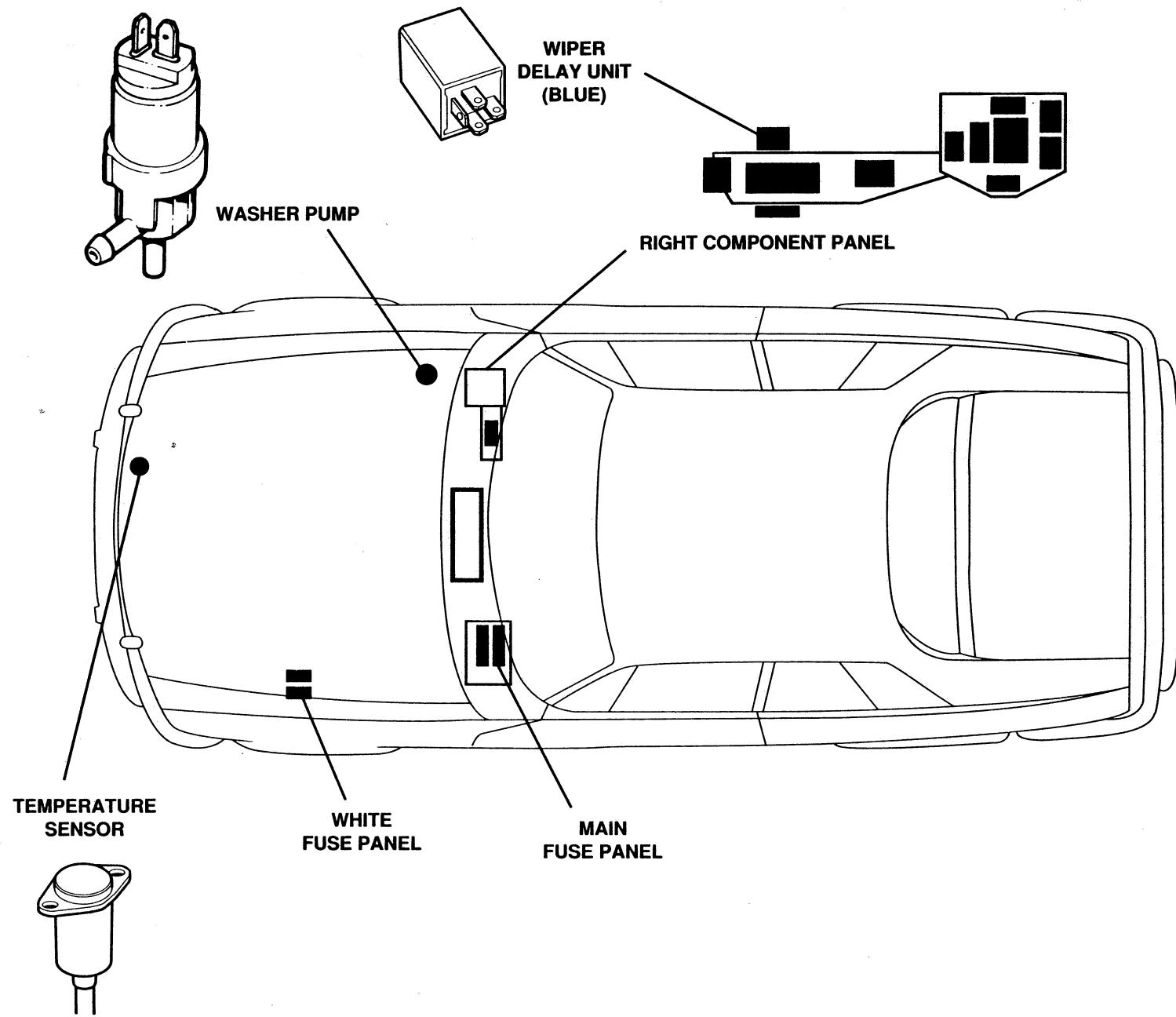
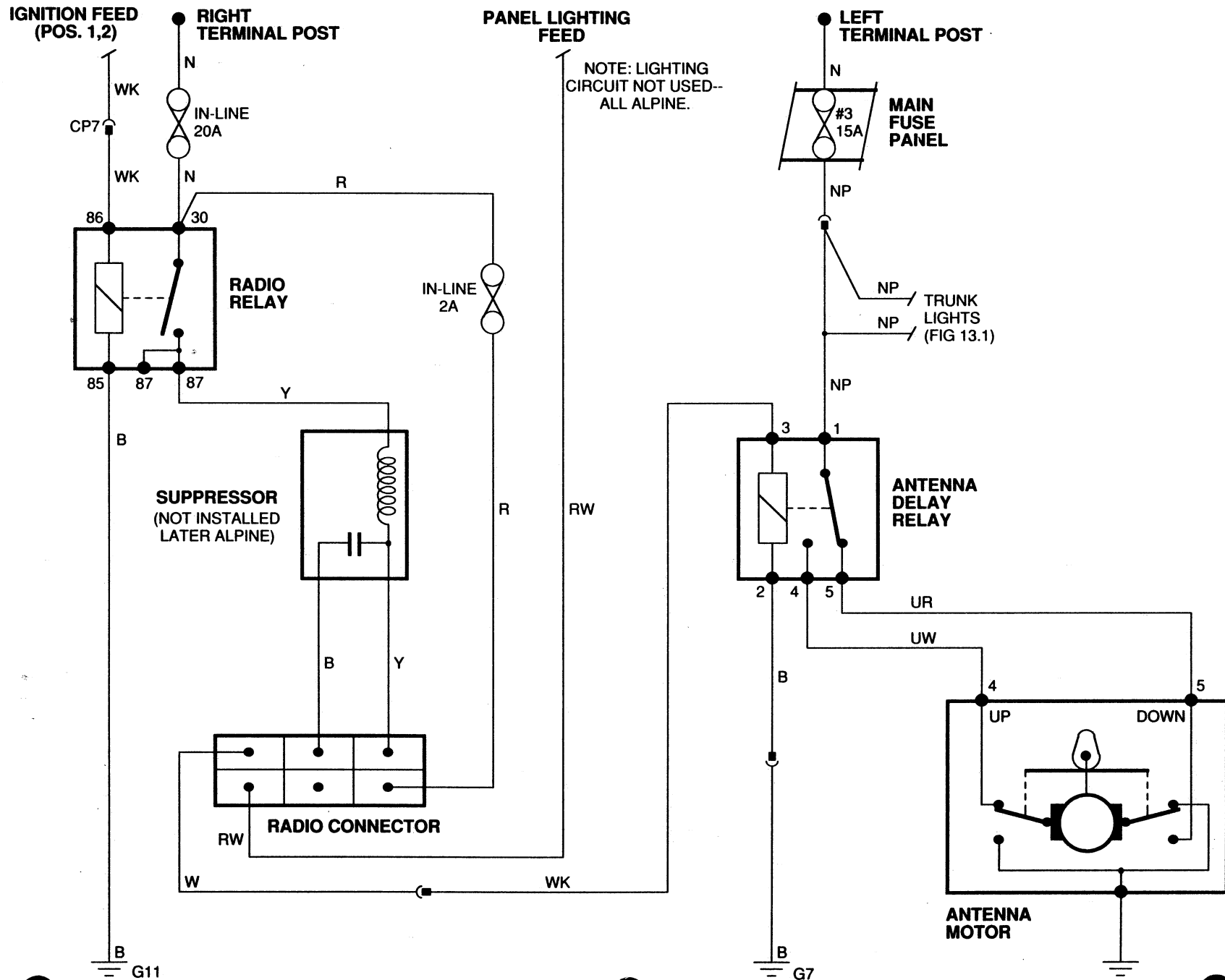


FIG 15.2

WINDSHIELD WIPERS, WASHERS

XJ-S
1988 MY



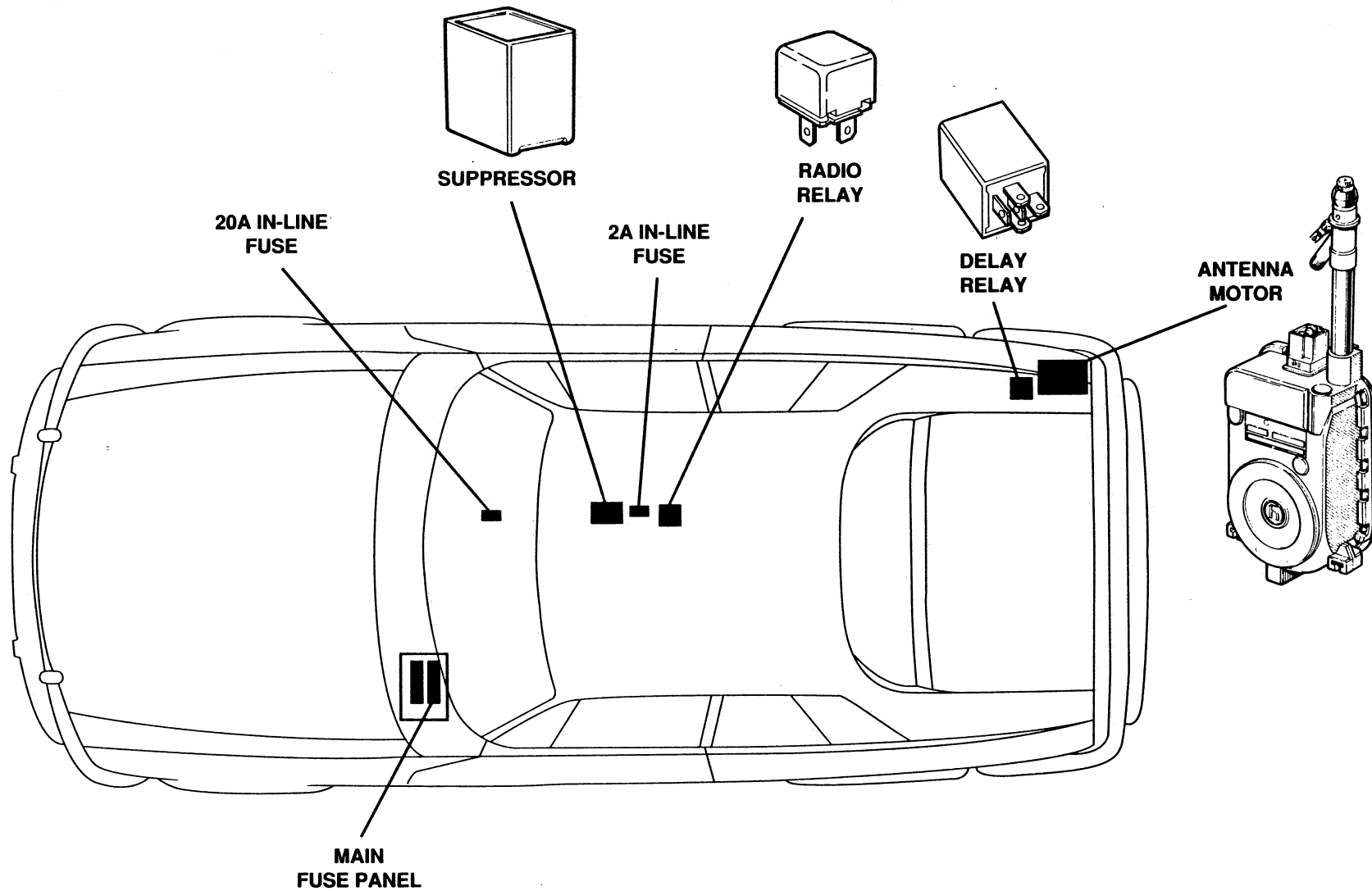
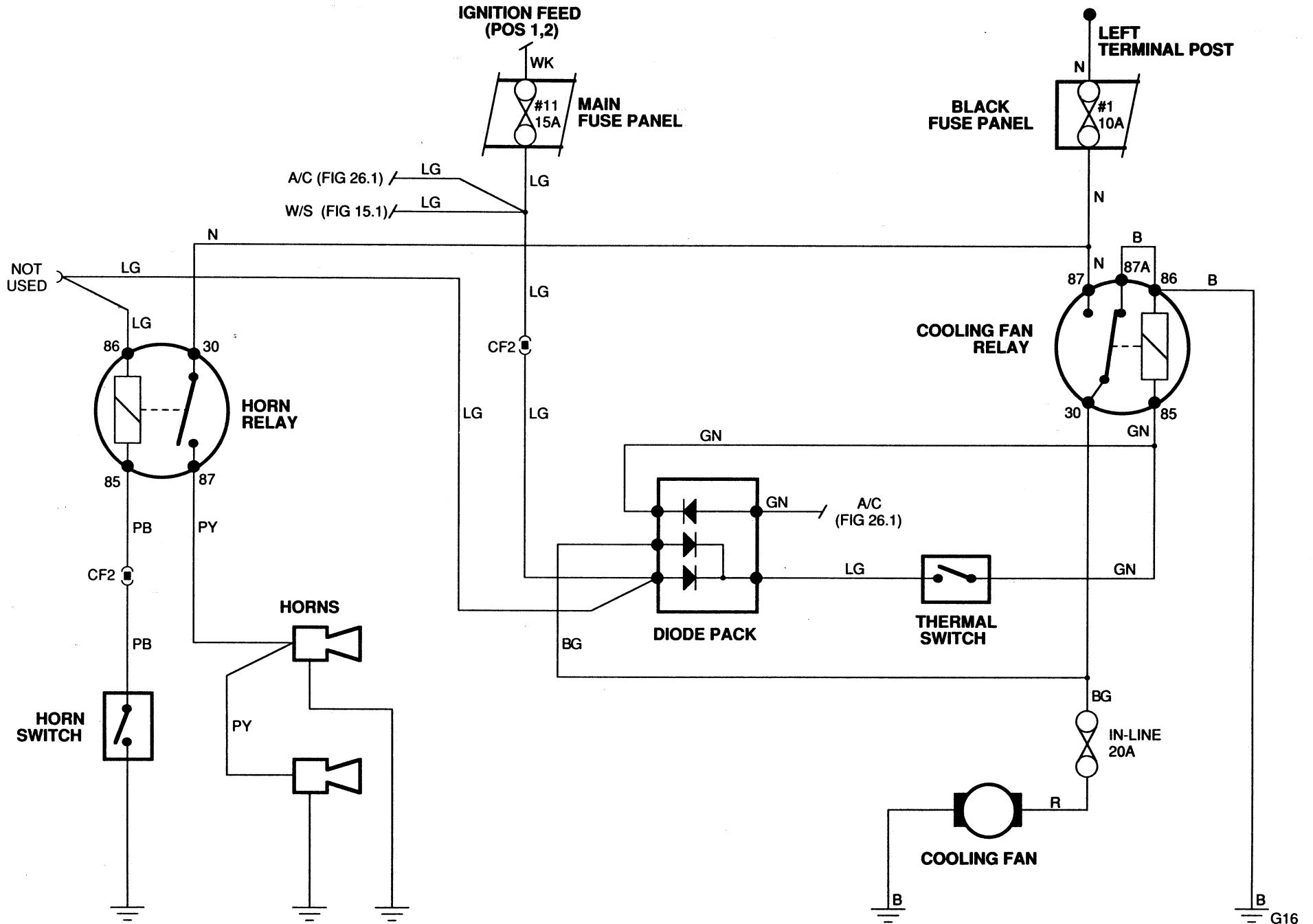


FIG 16.2

RADIO; ANTENNA

XJ-S
1988 MY



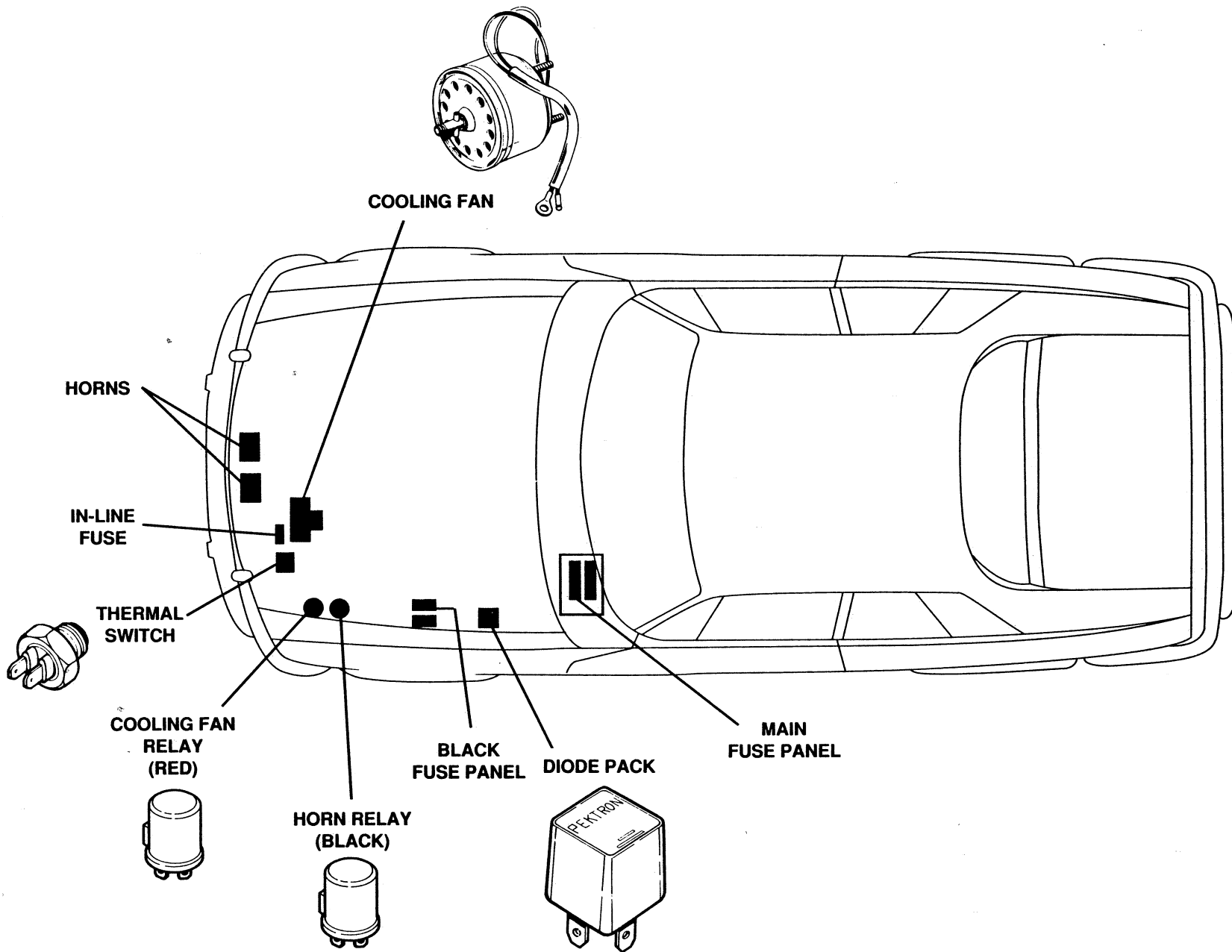
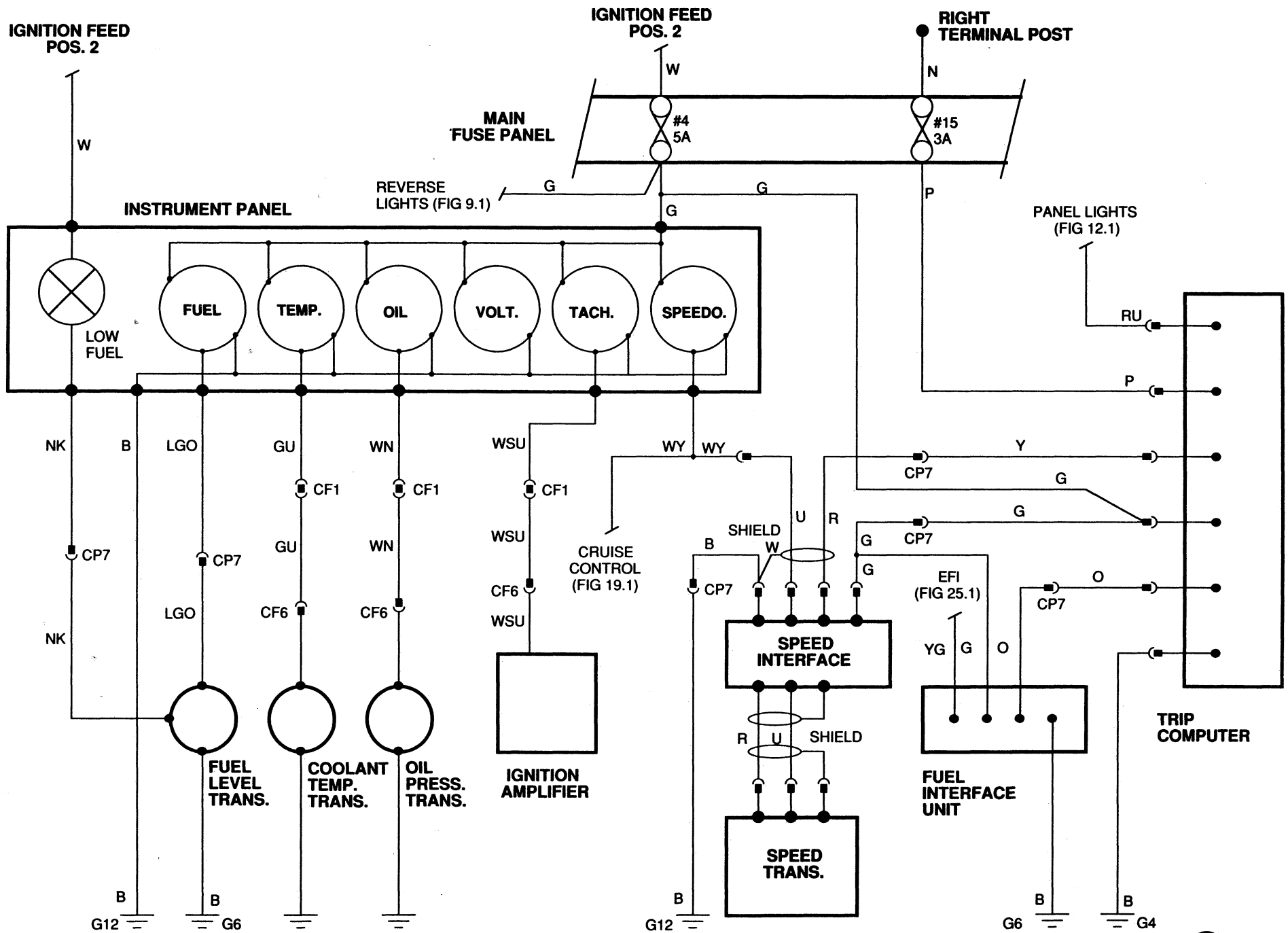


FIG 17.2

HORNS; COOLING FAN



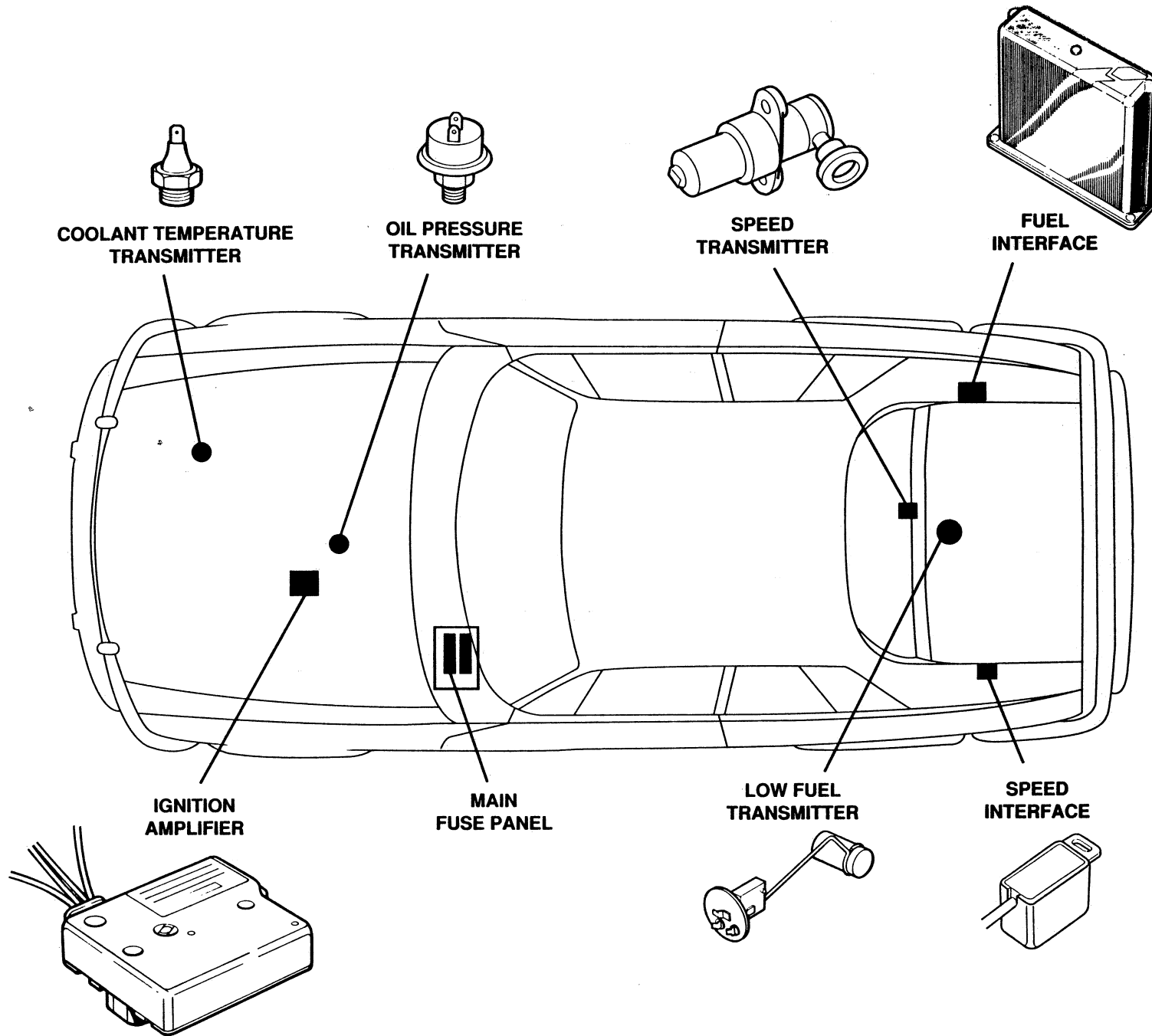
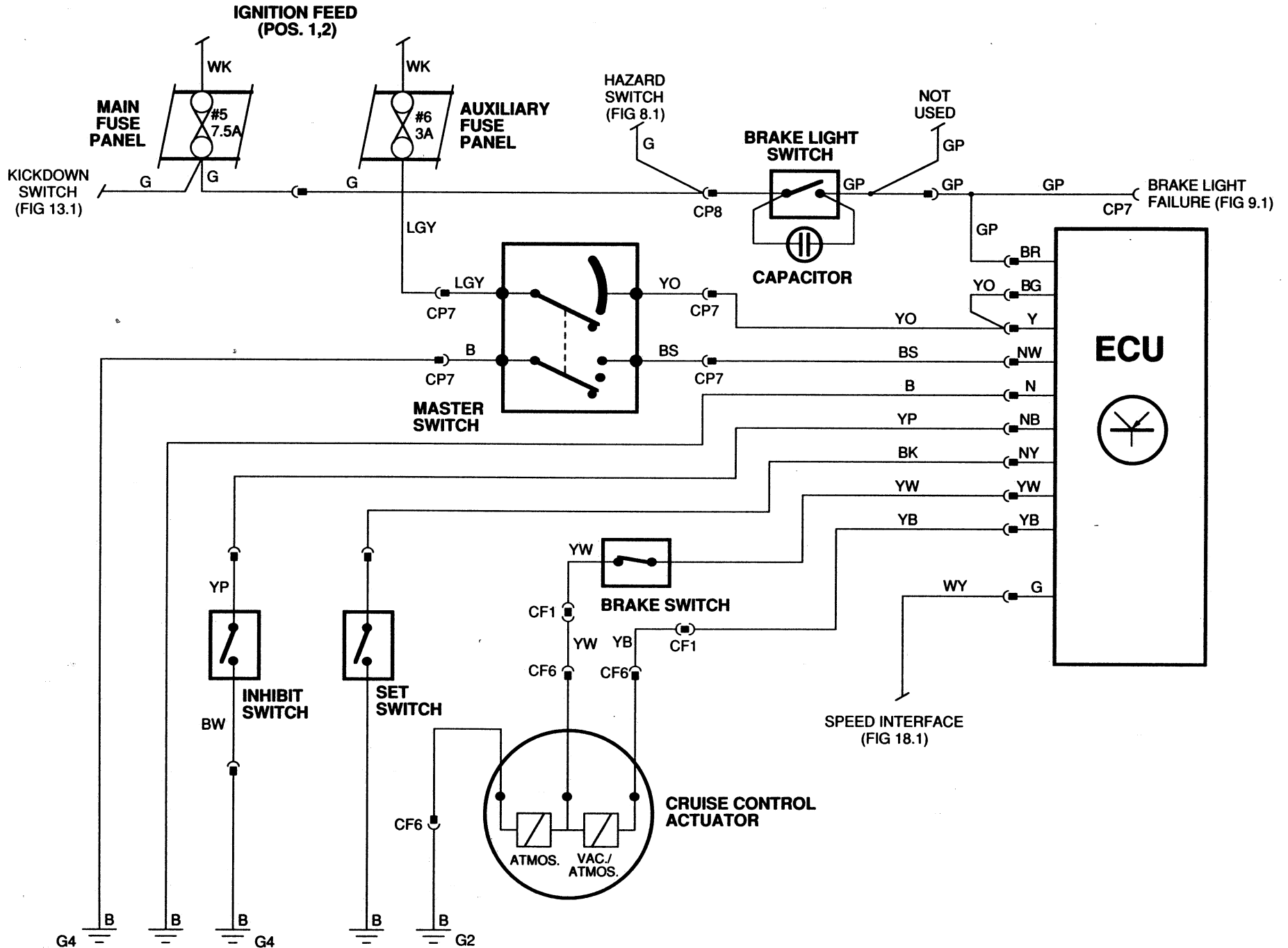


FIG 18.2

INSTRUMENTATION; TRIP COMPUTER

XJ-S
1988 MY



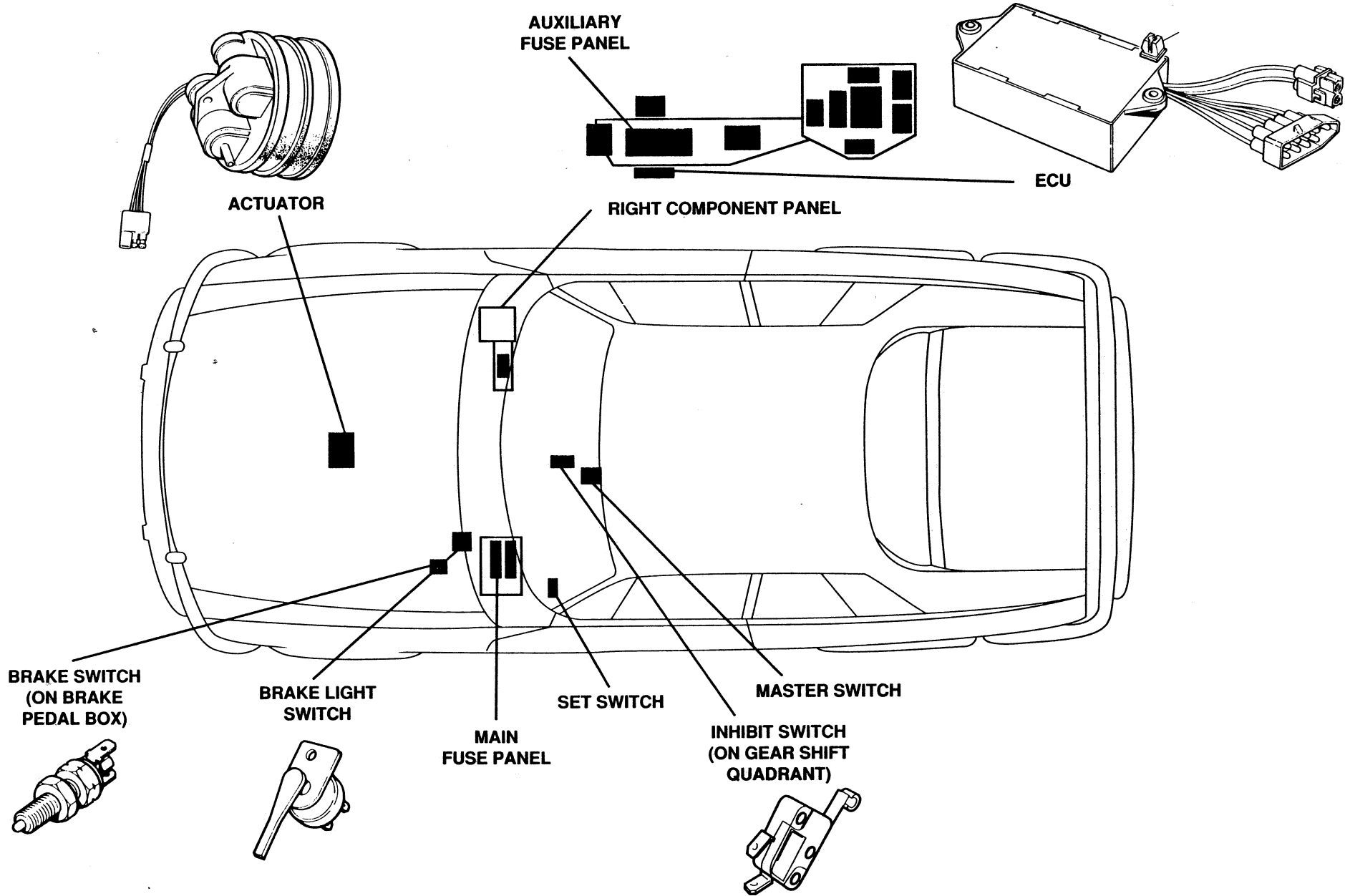
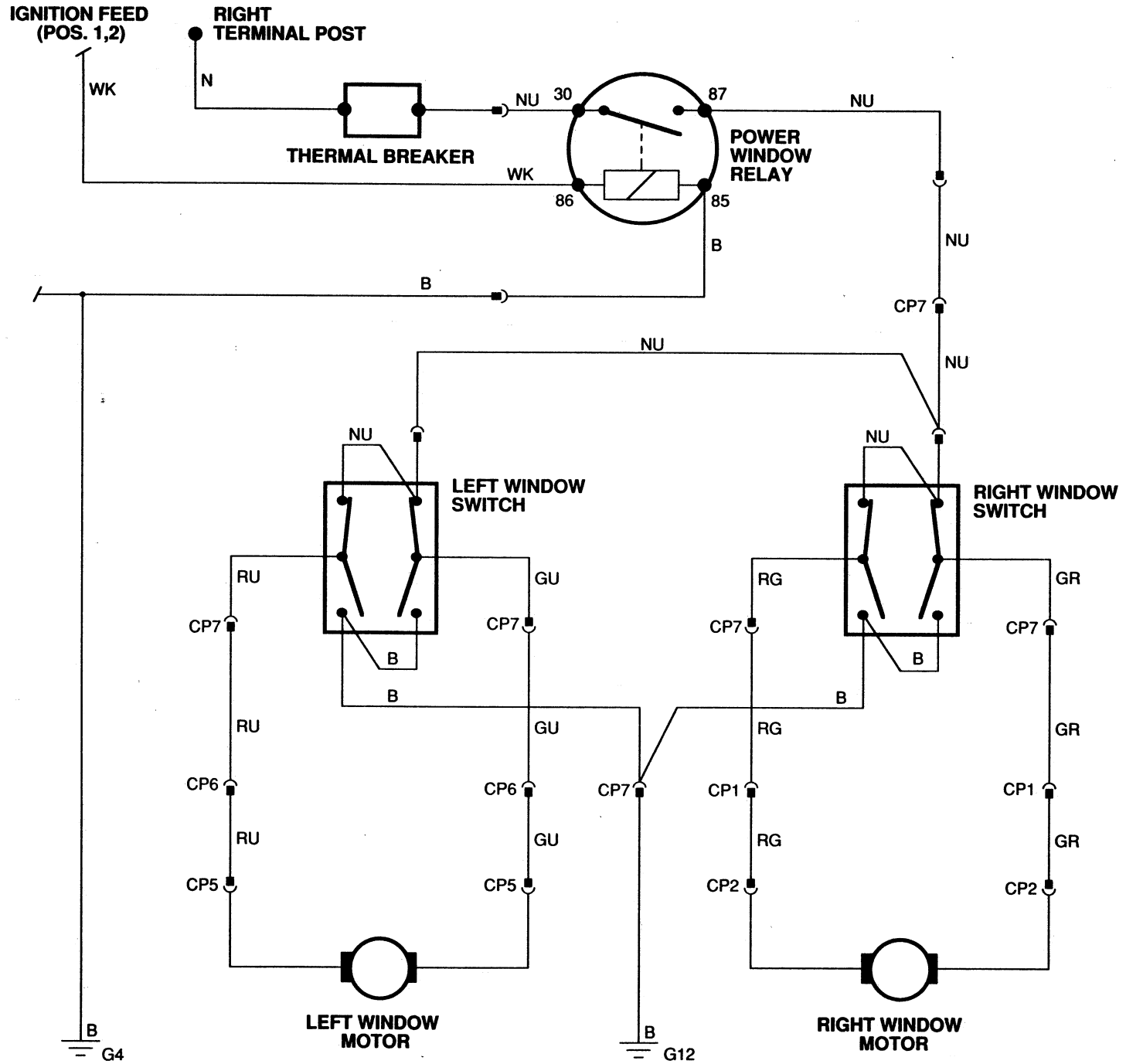


FIG 19.2

CRUISE CONTROL

XJ-S
1988 MY



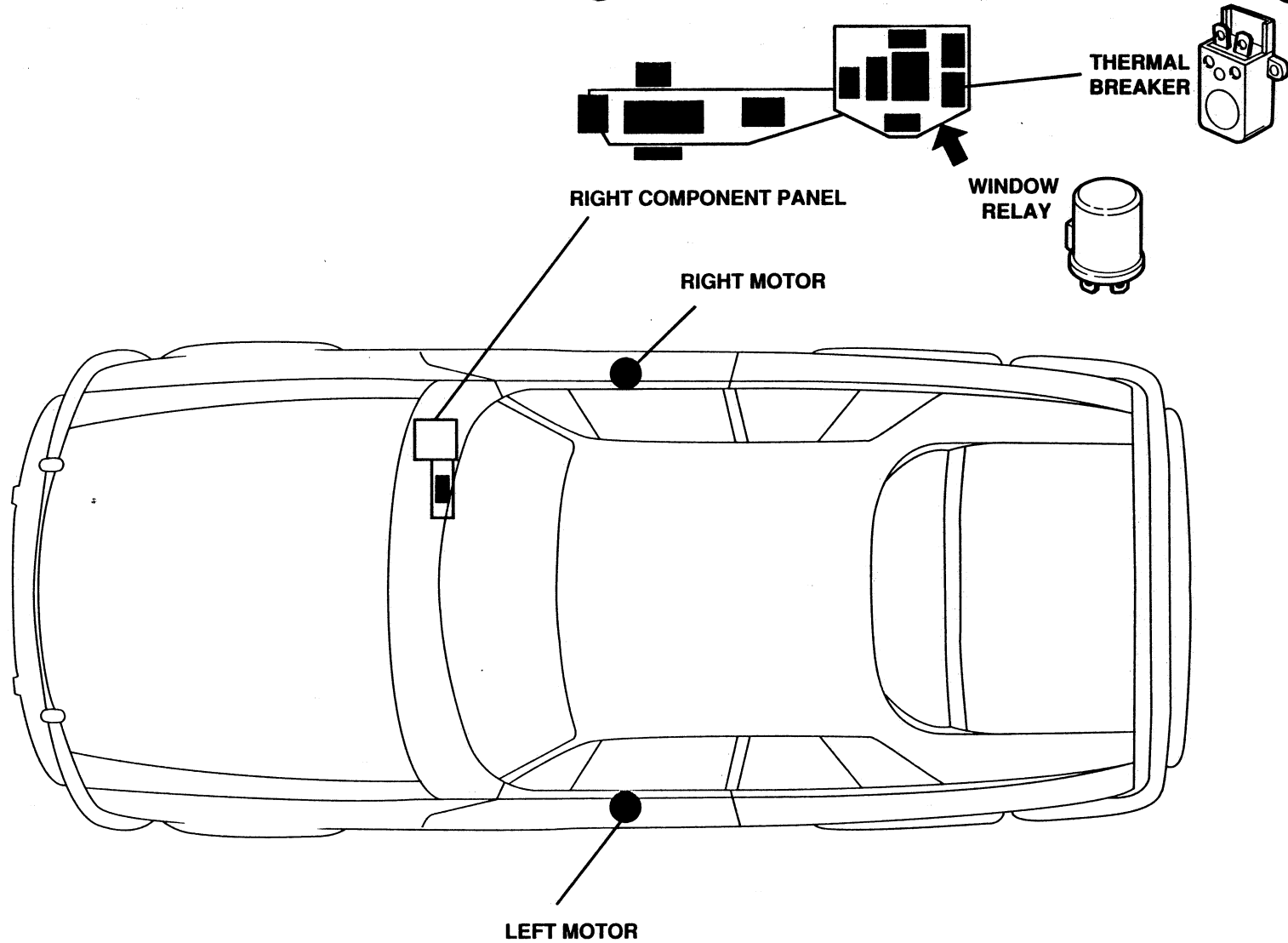
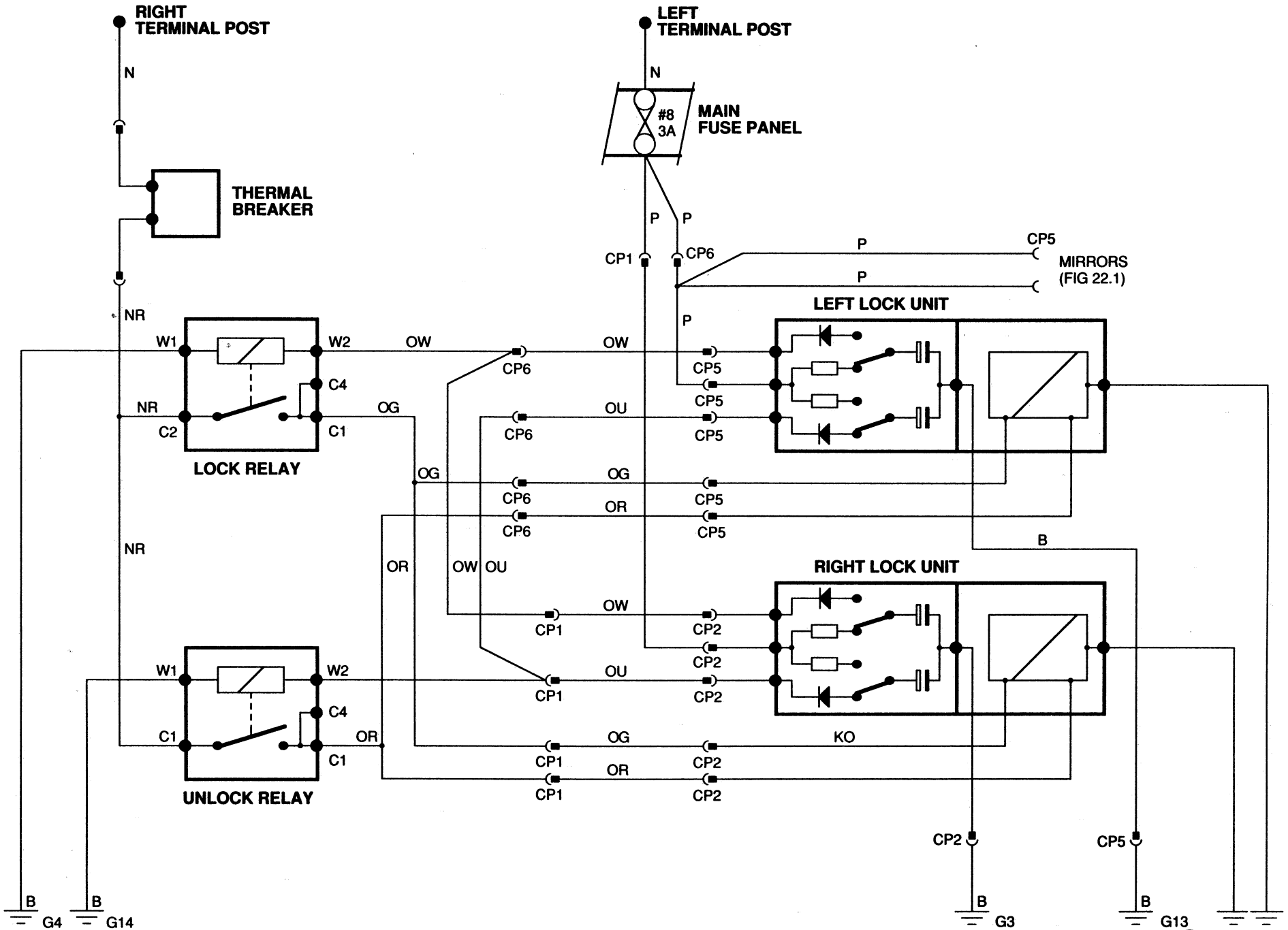


FIG 20.2

POWER WINDOWS

XJ-S
1988 MY



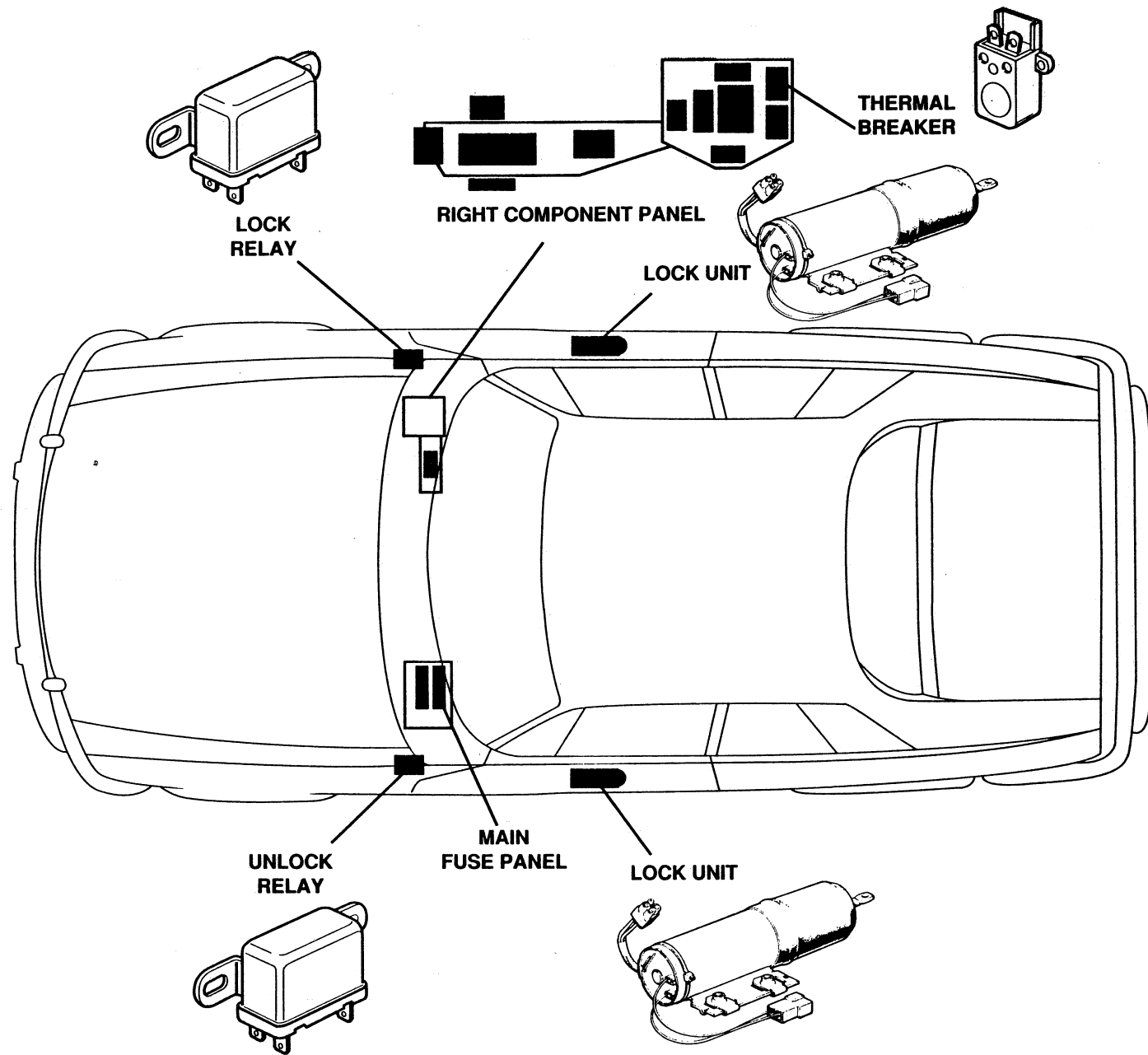
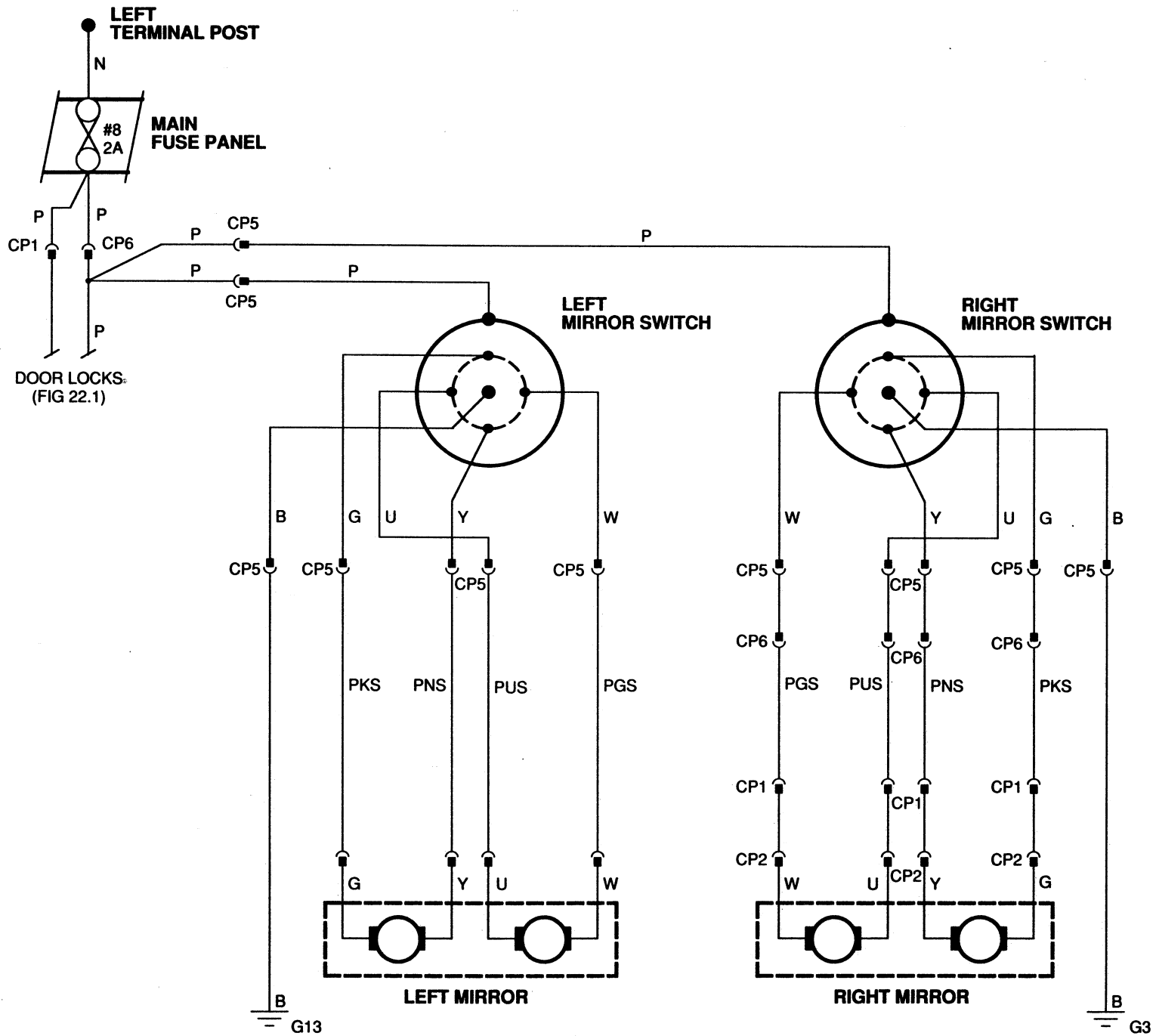
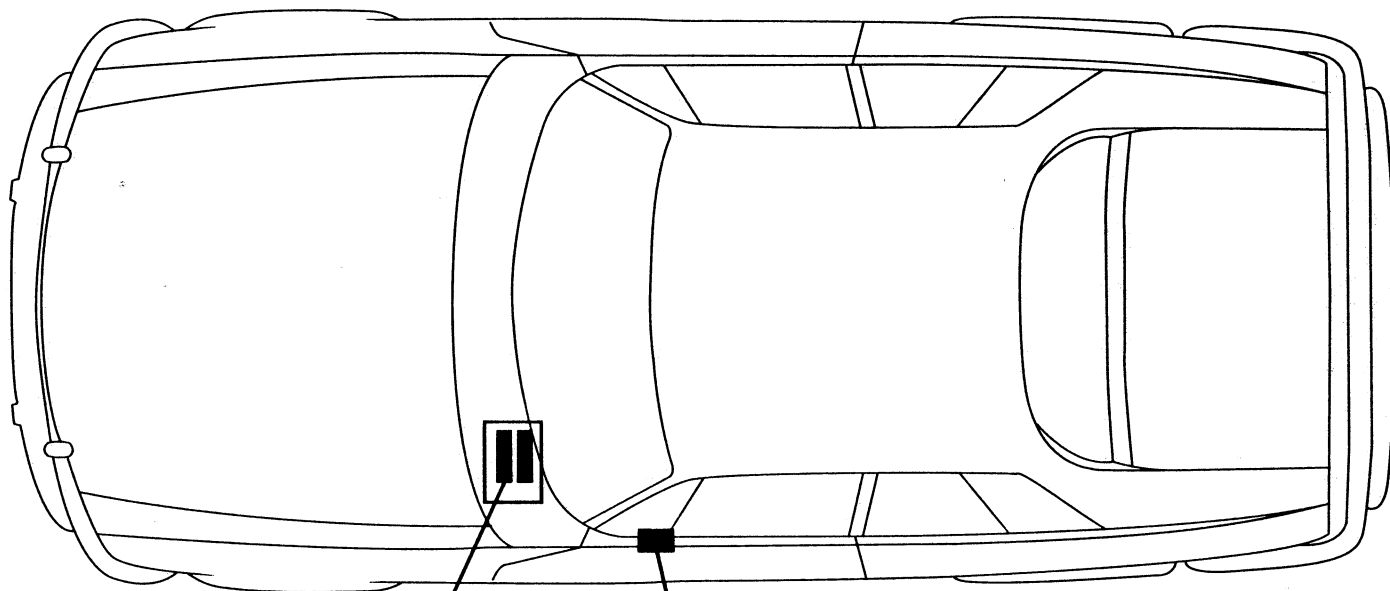


FIG 21.2

DOOR LOCKS

XJ-S
1988 MY





MAIN
FUSE PANEL

MIRROR SWITCHES

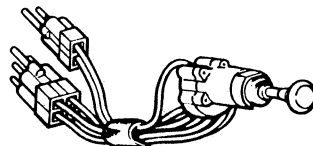
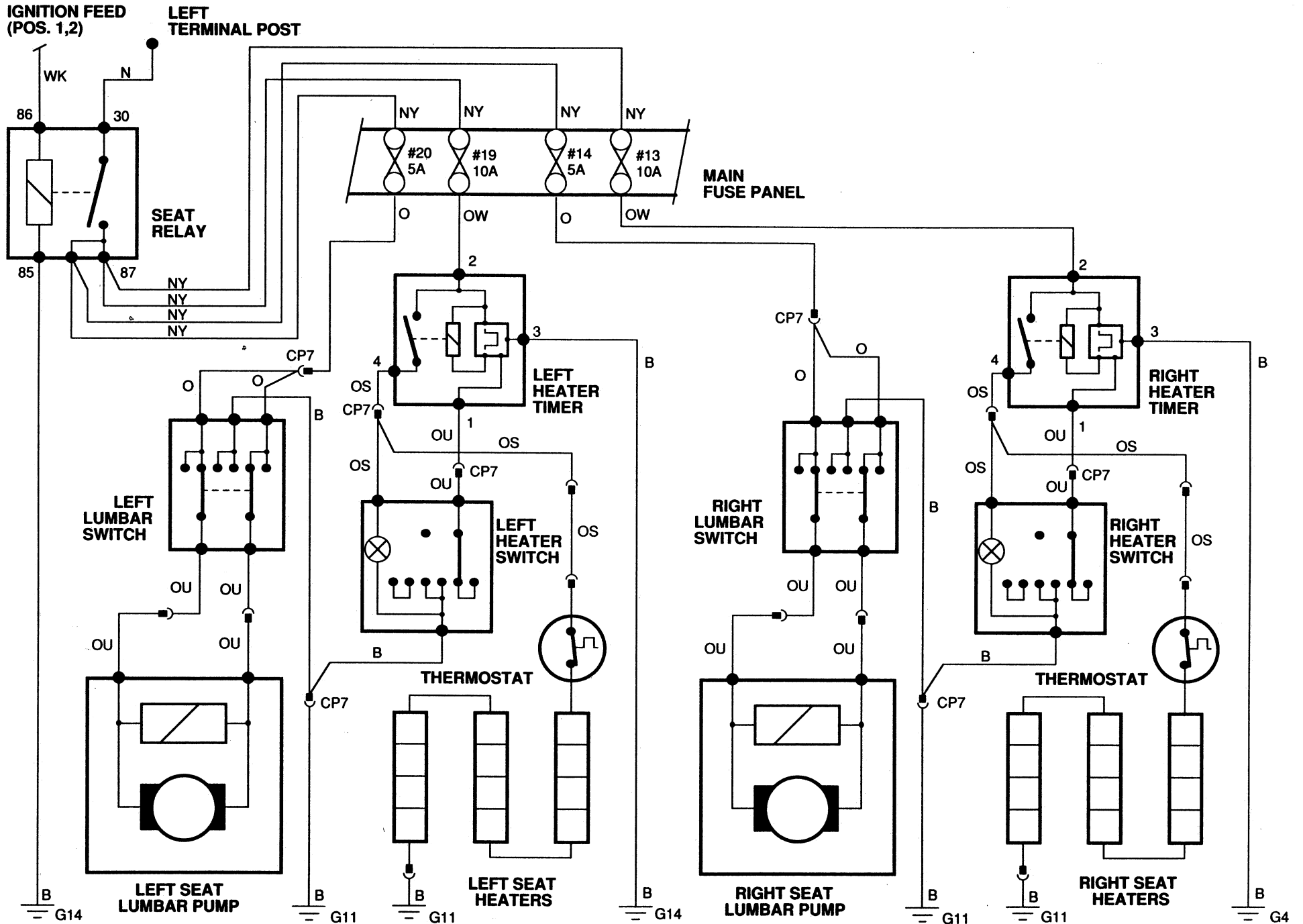


FIG 22.2

POWER MIRRORS

XJ-S
1988 MY



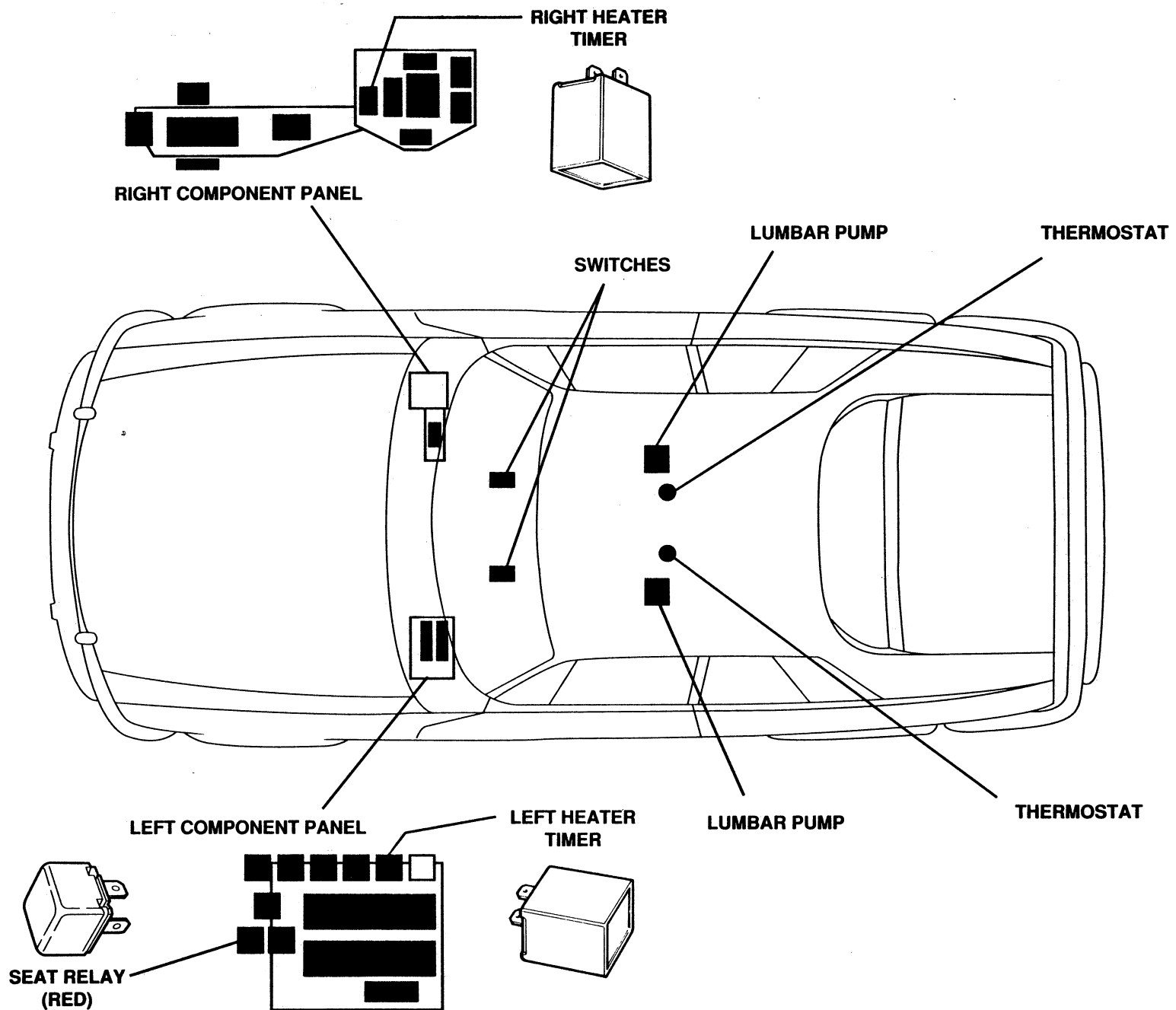


FIG 23.2

HEATED SEATS; POWER LUMBAR SUPPORTS

XJ-S
1988 MY

