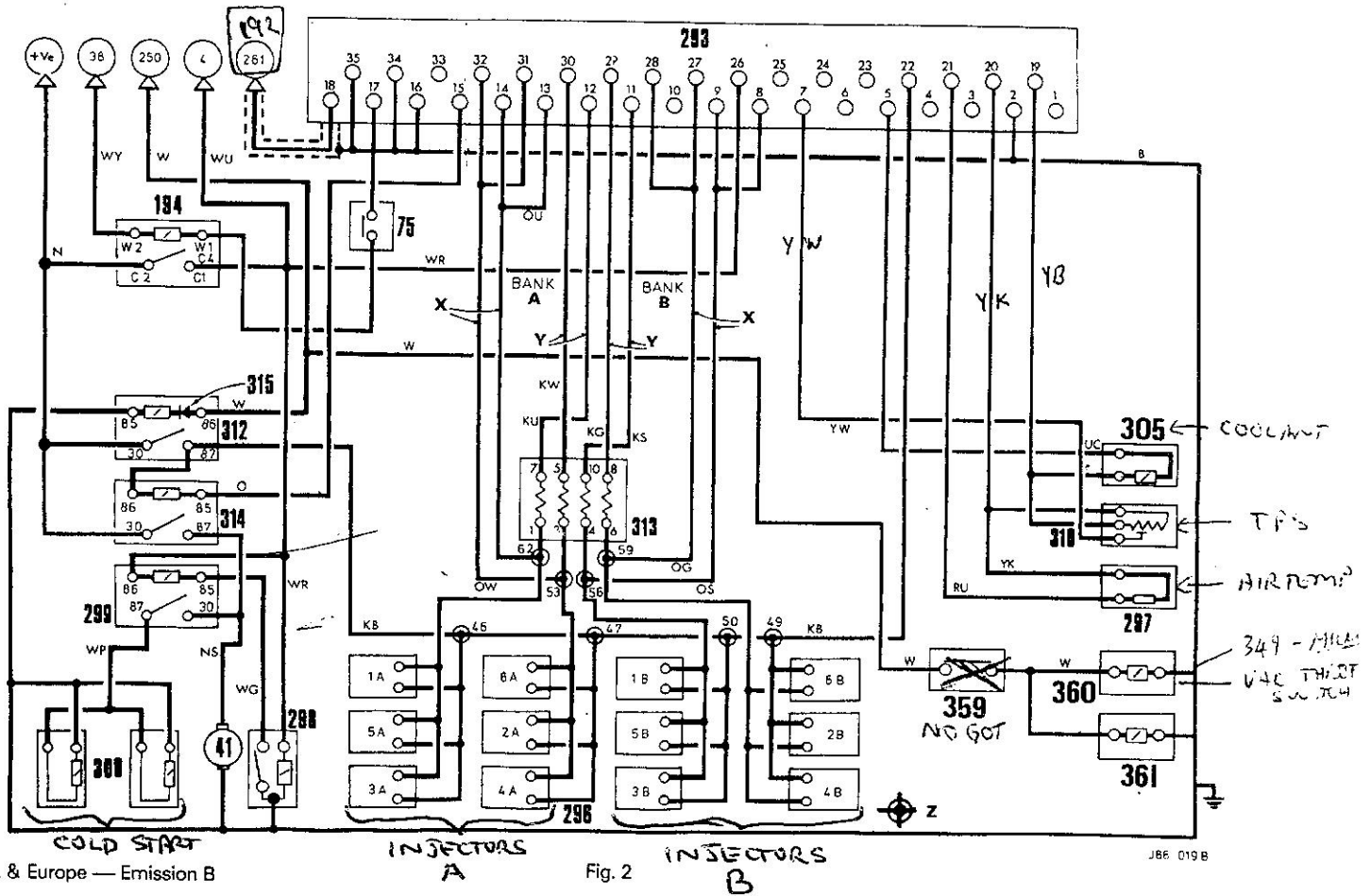


# FUEL INJECTION SYSTEM



U.K. & Europe — Emission B

Fig. 2

J86 019 B

## MASTER KEY FOR CIRCUITS EMISSION A AND B

- |   |     |                         |   |     |                               |
|---|-----|-------------------------|---|-----|-------------------------------|
| A | 4   | Starter solenoid        | A | 316 | (Oxygen) sensors              |
| & | 38  | Ignition switch pin 1   | A | 326 | Vacuum switch                 |
| B | 38  | Ignition switch pin 3   | A | 349 | Micro-switch                  |
|   | 39  | Amplifier               | A | 353 | Feed-back monitor socket      |
|   | 41  | Fuel pump               | A | 354 | Disable socket                |
|   | 75  | Start inhibit switch    | A | 355 | Feedback monitor relay        |
|   | 140 | Fuel change-over switch | B | 359 | Oil temperature switch        |
|   | 261 | Amplifier - IGNITION    | B | 360 | Vacuum changeover switch      |
|   | 194 | Starter relay           | B | 361 | Supplementary air valve       |
|   | 250 | Inertia switch          | X |     | Turn on                       |
|   | 293 | ECU                     | Y |     | Hold on                       |
|   | 296 | Injectors               | Z |     | Part of 10 way engine harness |
|   | 297 | Air temperature sensor  |   |     |                               |
|   | 298 | Thermostime switch      |   |     |                               |
|   | 299 | Cold start relay        |   |     |                               |
|   | 300 | Cold start injectors    |   |     |                               |
|   | 305 | Coolant sensor          |   |     |                               |
|   | 310 | Throttle potentiometer  |   |     |                               |
|   | 312 | Main relay              |   |     |                               |
|   | 313 | Power resistors         |   |     |                               |
|   | 314 | Pump relay              |   |     |                               |
|   | 315 | Block diode             |   |     |                               |