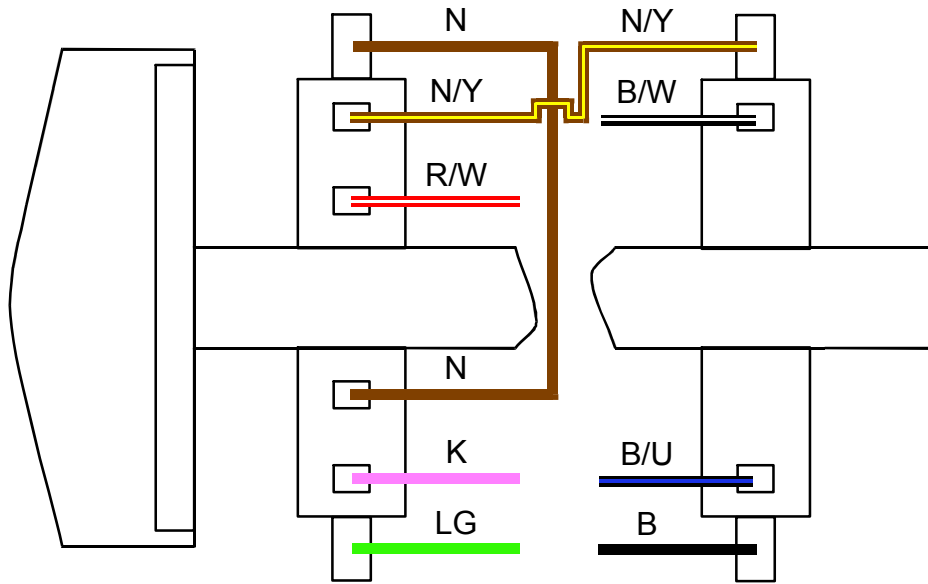




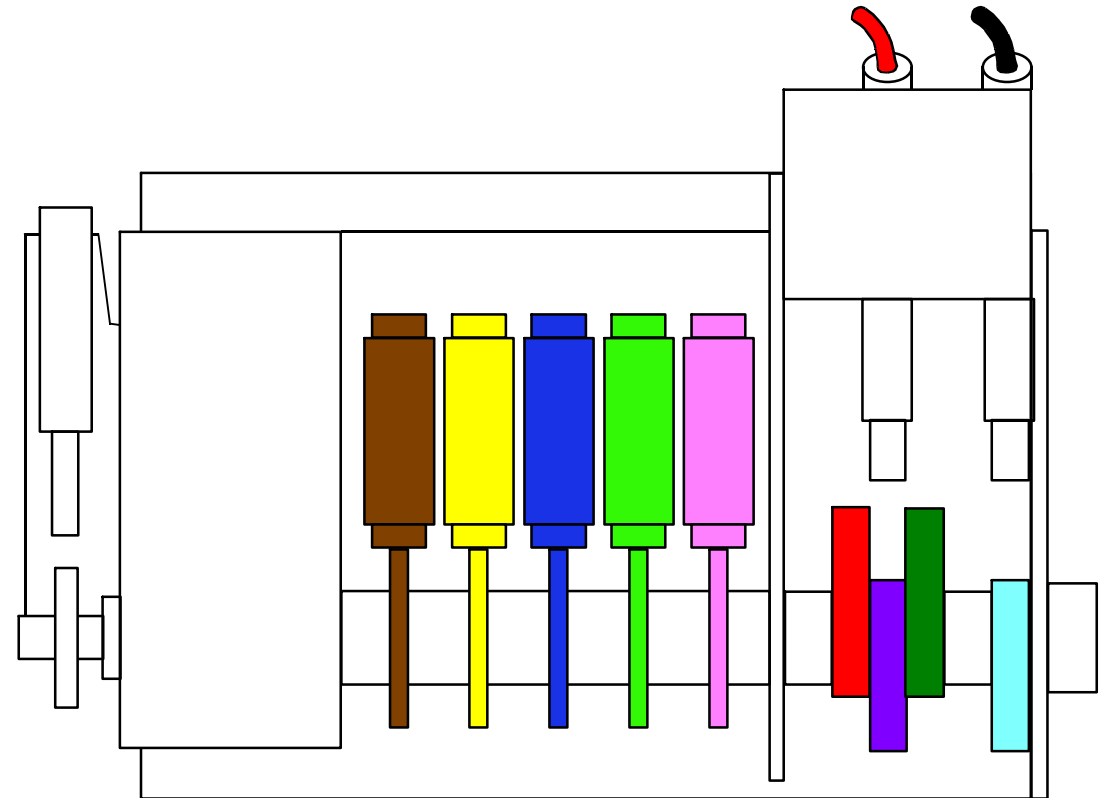
Mode Control Switch (R/H)



Wire colour key

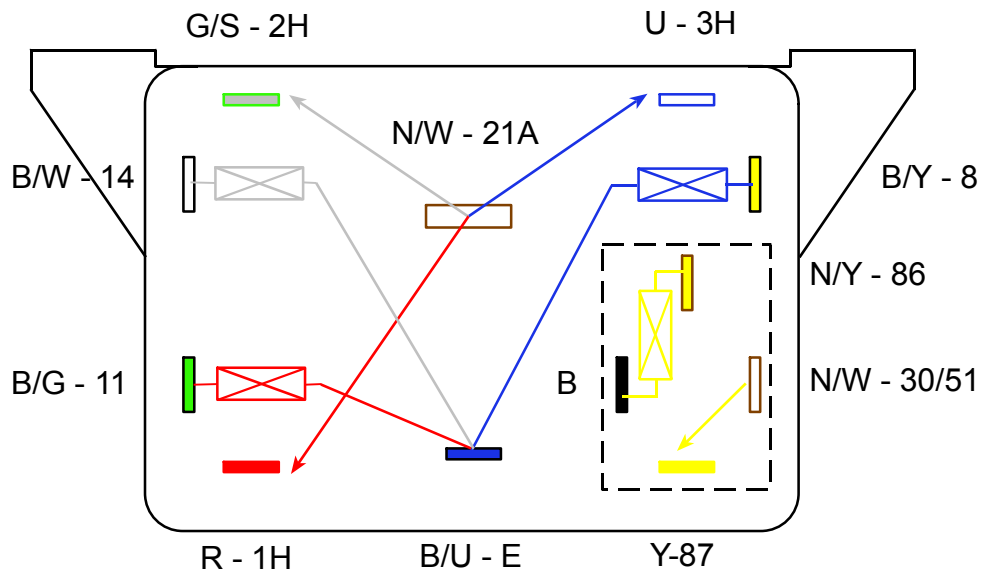
B	Black
w	White
N	Brown
Y	Yellow
U	Blue
G	Green
K	Pink
R	Red
S	Slate

Where 2 colours are stated
the First is the primary colour
and the second is the tracer.





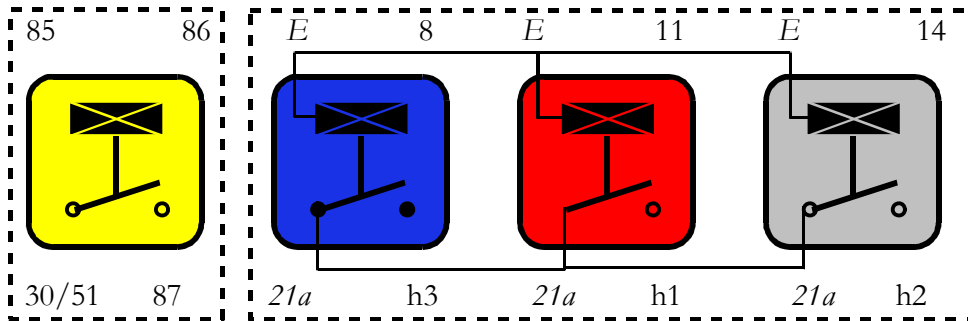
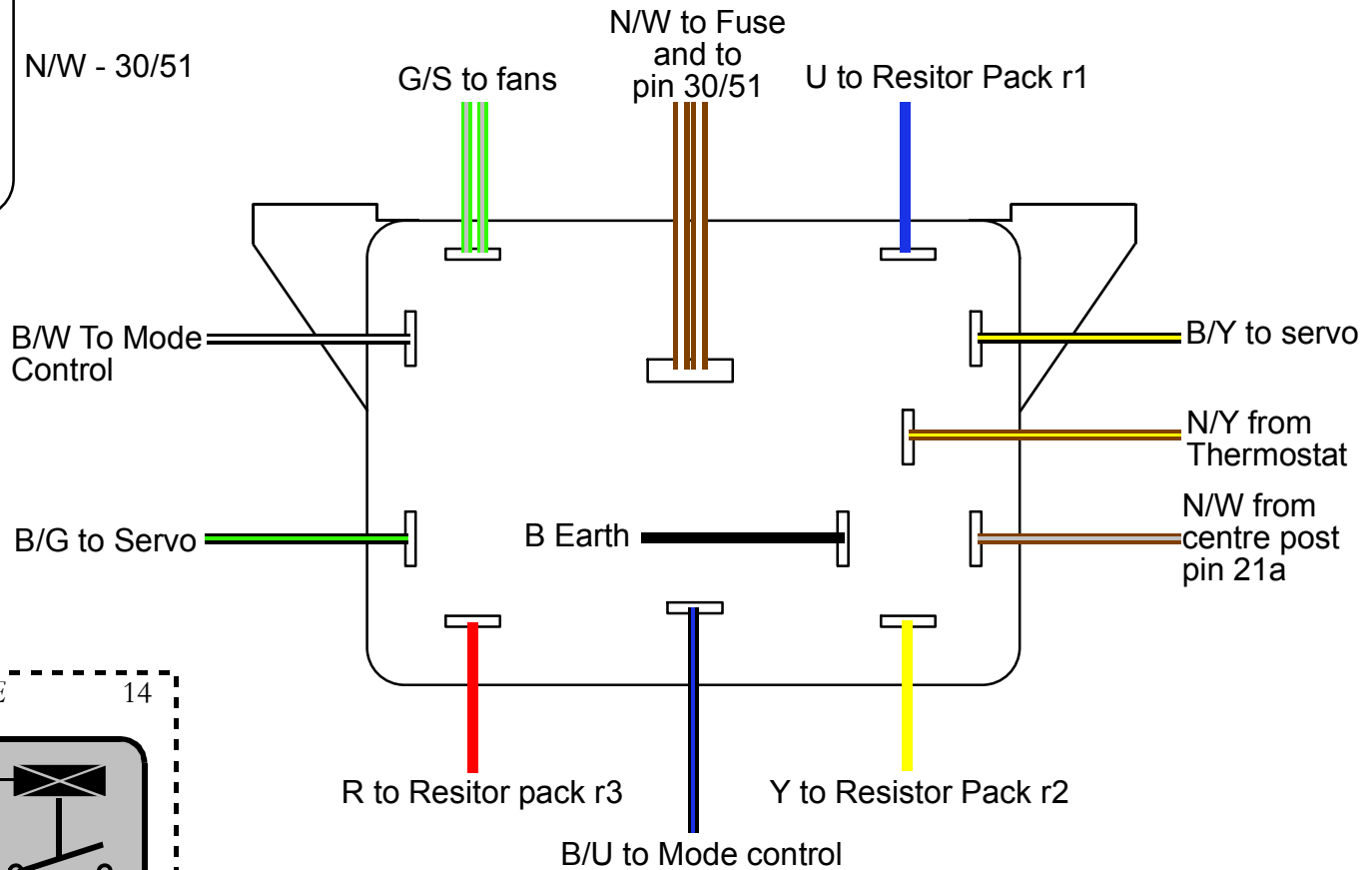
Main Relay

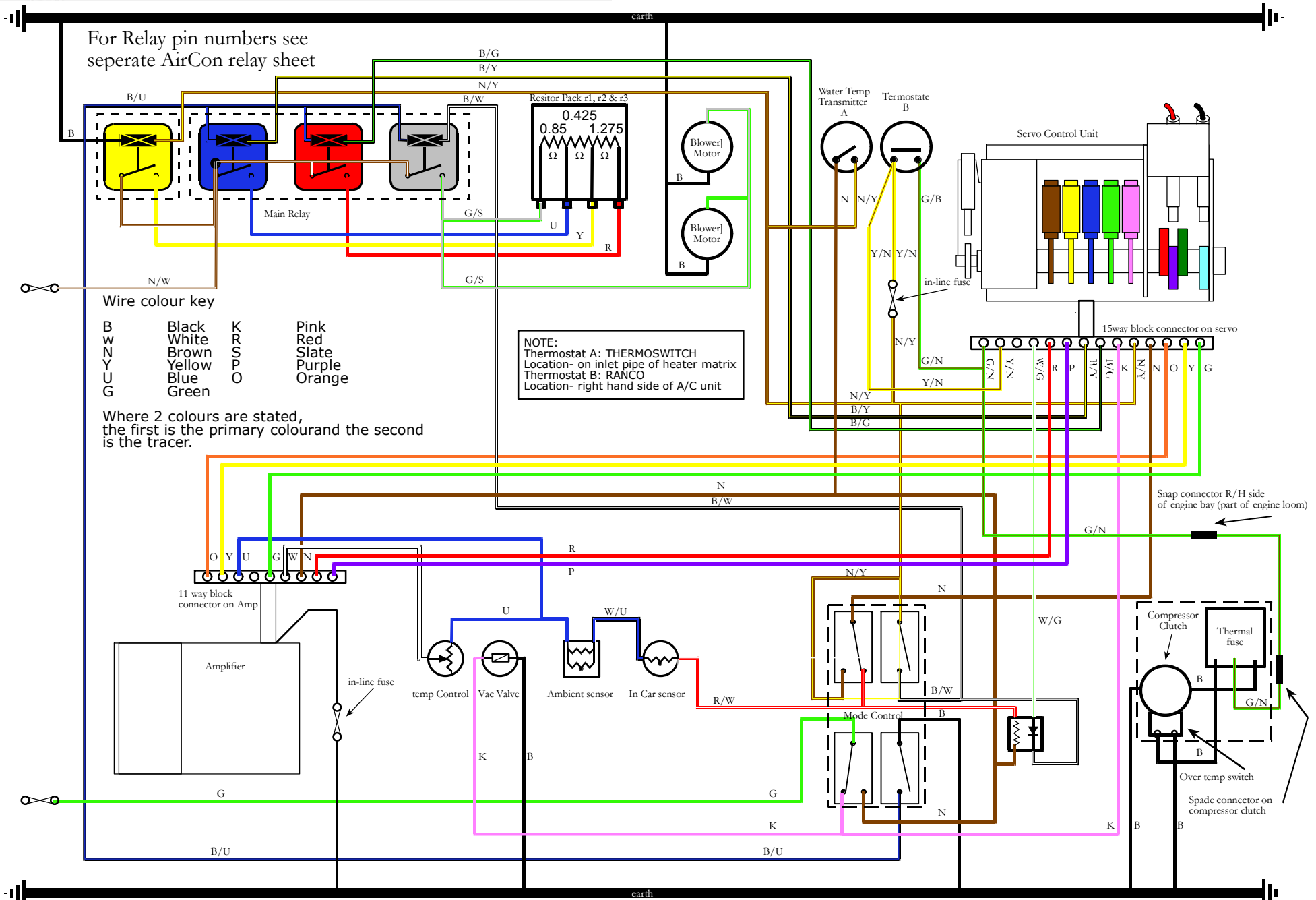


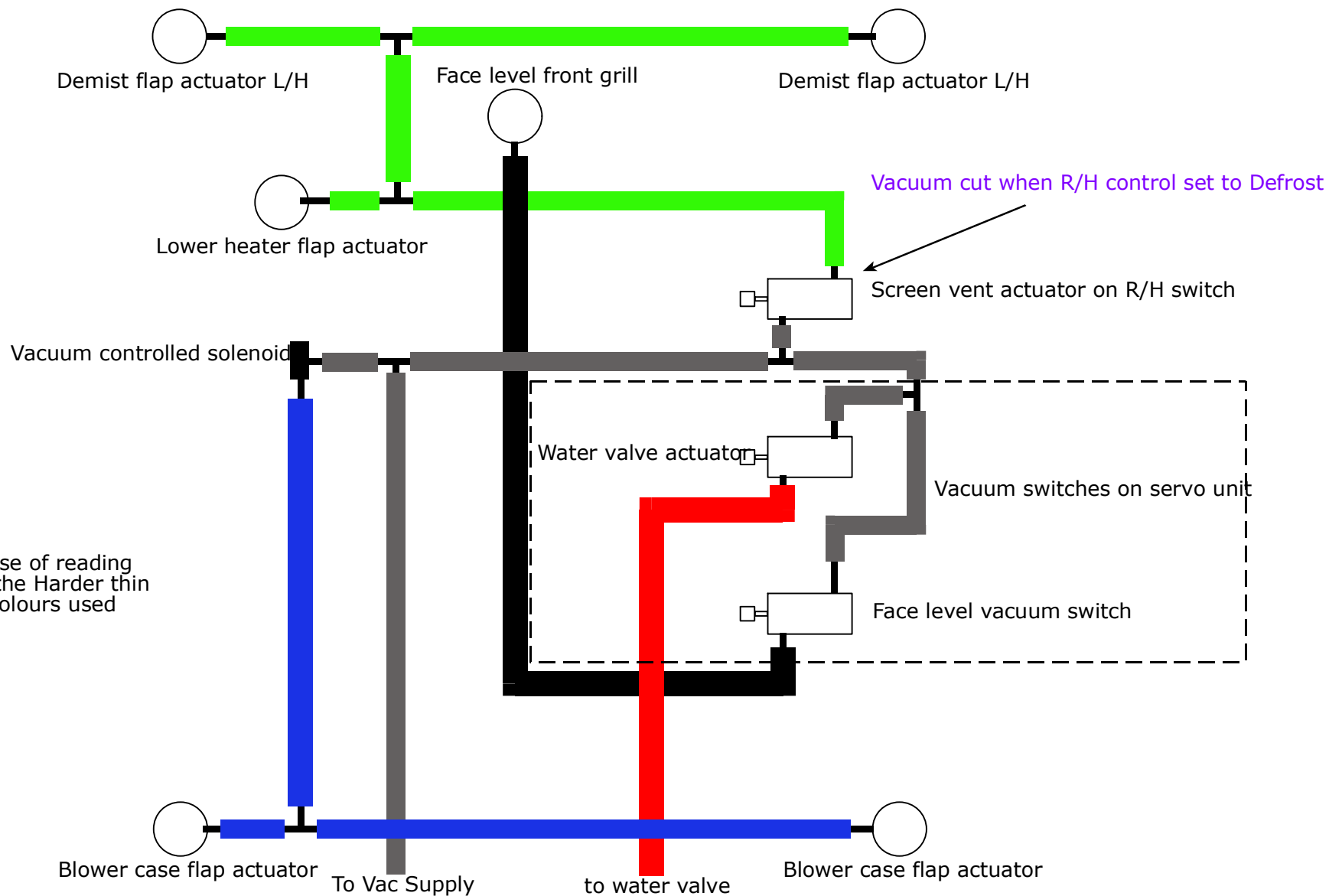
Wire colour key

B	Black	U	Blue
W	White	K	Pink
N	Brown	R	Red
Y	Yellow	S	Slate
G	Green		

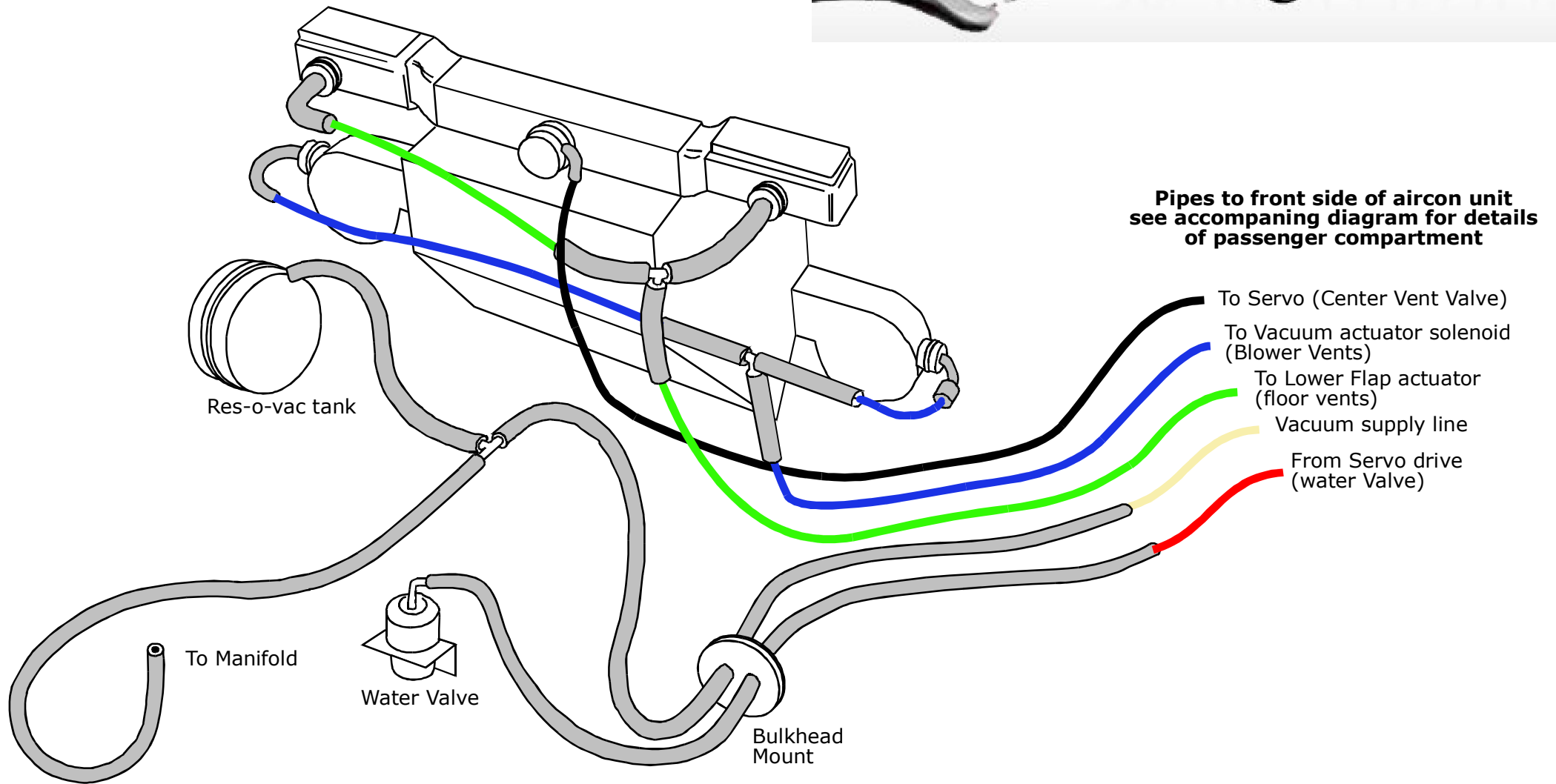
Where 2 colours are stated:
the first is the primary colour and the second is the tracer.







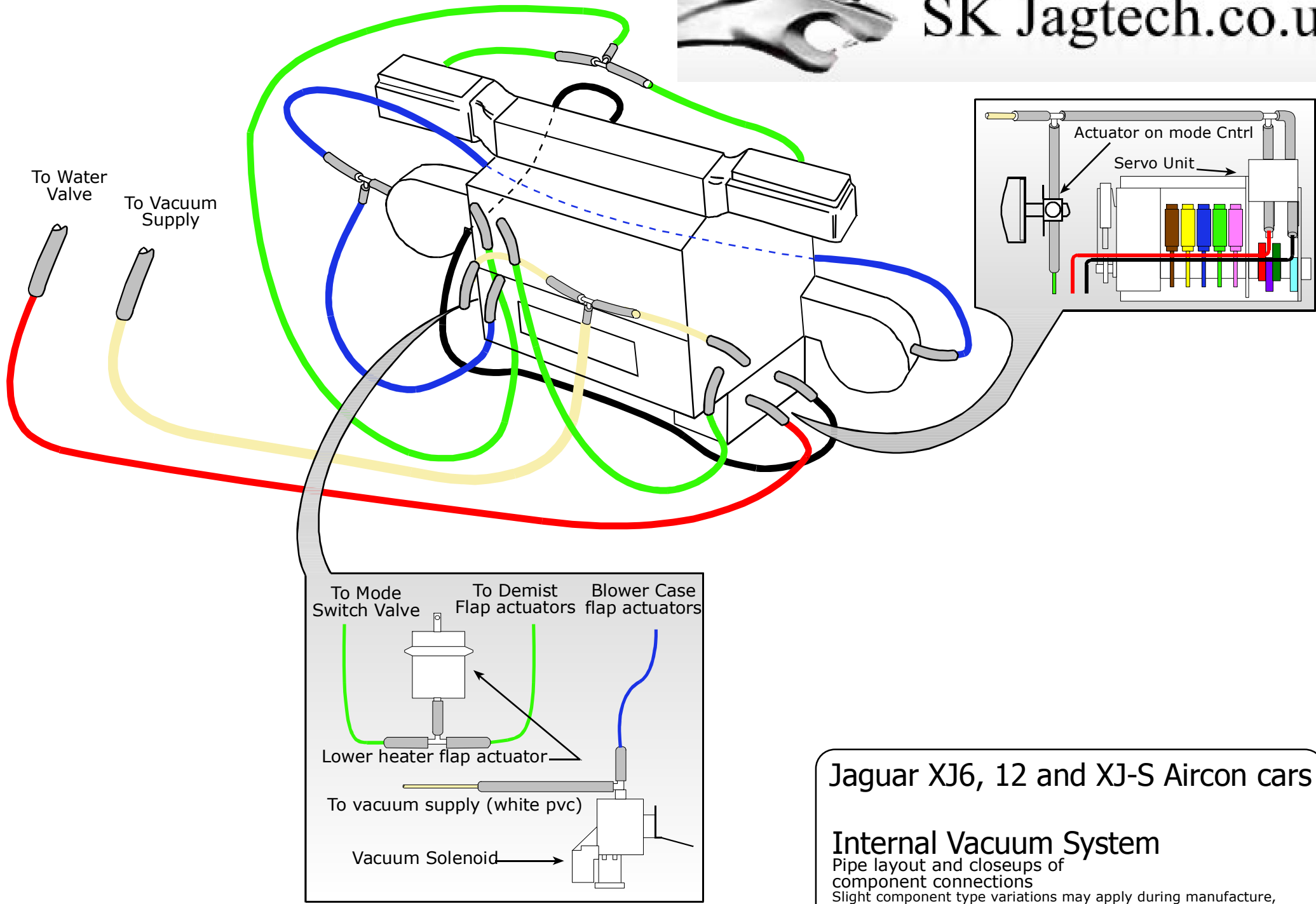
Colours are for ease of reading
but do represent the Harder thin
bore PVC tubing colours used



Jaguar XJ6, 12 and XJ-S Aircon cars

Engine Bay Aircon Vacuum System

Pipe layout and component connections (not to scale)



Jaguar XJ6, 12 and XJ-S Aircon cars

Internal Vacuum System

Pipe layout and closeups of component connections
 Slight component type variations may apply during manufacture, however the vacuum connections are the same throughout production