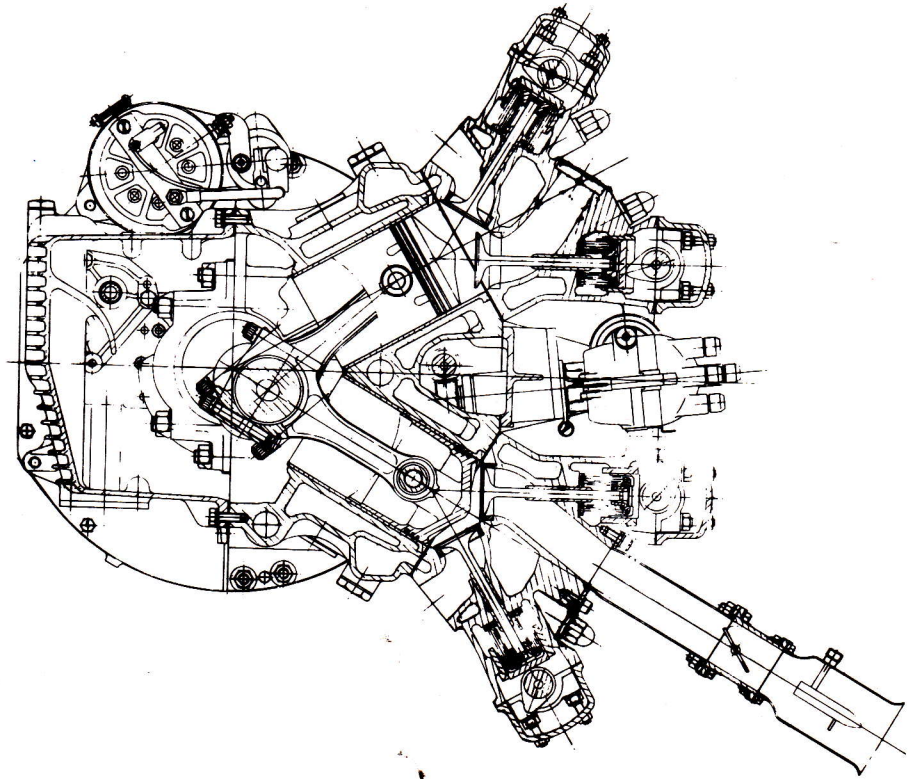


Fig. 6 Cross-section of twin-cam V12 engine showing original inlet ports left and final ports right



STAGES OF INLET  
PORT DEVELOPMENT

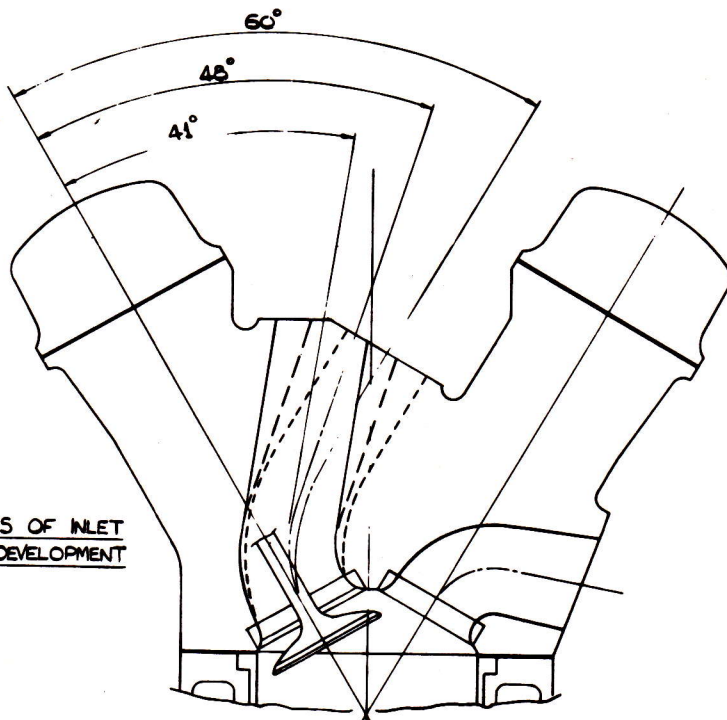


Fig. 7 Inlet port angles on twin-cam head