

REAR OIL SEAL

RENEW

7.23.01

Drive the vehicle on to a ramp. Raise the ramp.
Remove the exhaust down pipe steady bracket (1 Fig 1) and the downpipe/intermediate pipe clamp (2 Fig 1).

Remove the olive and secure the exhaust system aside.

Carefully ease the exhaust system down for access and remove the intermediate heat shield securing screws/washers.

Pull the heat shield forward and down, and remove the shield.

Disconnect the propeller shaft, noting the propeller shaft/differential flange relationship.

Using a suitable oil seal remover, displace and remove the rear oil seal (1 Fig 2).

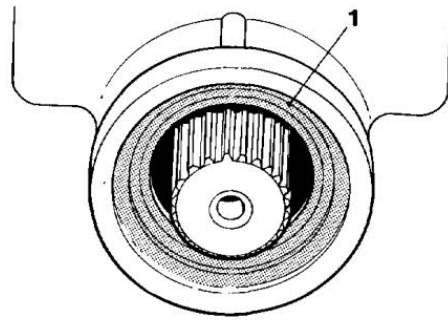
Clean all components thoroughly, and examine all component parts for wear and damage. Replace worn or damaged components as necessary.

Ensure mating faces are clean and grease-free.

Fit and seat the new seal to the gearbox.

Refit the propeller shaft. Refit the heat shield.

Refit the exhaust system. Lower the ramp.



J37-024

Fig2