



**Parts
Catalogue
Jaguar XJS
From (v) 139052
Up to (v) 179736**

Whilst every effort is made to ensure the accuracy of the particulars contained in this Manual the Manufacturing Companies will not, in any circumstances, be held liable for any inaccuracies or the consequences thereof.

© Jaguar Cars Ltd 1998

All rights reserved. No part of this publication may be reproduced, stored in a retrieval system or transmitted in any form, whether by electronic, mechanical, photocopying, recording or other means without the permission of Jaguar Cars Limited.



Replacement parts that are not of genuine Jaguar supply cannot be relied upon to be of correct specification, material, and workmanship and therefore Jaguar cannot be expected to extend Warranty to vehicles which have been fitted with parts not supplied by them.

Jaguar reserves the right to make changes or improvements in the construction or specification of their products at any time.

IN ORDER TO ENSURE PROMPT AND CORRECT EXECUTION OF YOUR ORDERS IT IS ESSENTIAL TO QUOTE:-

1. The relative Unit Number, together with prefixes, suffixes and specification reference where applicable.
eg. Axle, Body, Vehicle Identification, Engine, Gearbox Numbers etc.
2. The Part Number and description (prefix and suffix letters to Part Numbers must always be quoted).
3. Always state the colour of carpets, painted items, trim items etc., using the colour code from the Vehicle Identification number (VIN) plate and the colour combination key to identify the colour name.
4. The quantity required bearing in mind that the quantities shown are those used in the application actually illustrated. Sometimes only minimum package quantities are available. These packs may well contain more parts than are required for a single job; for details of packaged quantities, see the Service Parts List.

THE LISTING OR ILLUSTRATING OF AN ITEM DOES NOT GUARANTEE ITS AVAILABILITY

GROUP A INTRODUCTION

ABBREVIATIONS: Standard abbreviations are employed. The complete range of abbreviations covering all lists is given below.

A/R As required
 (B) Body number
 C Chassis number
 cm Centimetres
 (CN) Commission number
 D/E Double-ended
 dia Diameter
 (E) Engine number.

E.C.E. Economic Commission of Europe
 (G) Gearbox number
 G.V.W. Gross Vehicle Weight
 HC High compression
 ID Inside diameter
 KPH Kilometers per hour
 LC Low compression
 LH Left hand
 LHD Left-hand drive
 (LP) Low pressure
 LWB Long wheelbase
 m metres
 mm millimetres
 MPH Miles per hour
 N L A No longer available
 No. Number
 NSP Non-serviceable part
 OD Outside diameter
 O/S Oversize
 pr Pair
 psi Pounds square/inch
 RH Right-hand
 RHD Right-hand drive
 STD Standard
 SWB Short wheelbase
 UK Great Britain and Northern Ireland
 U/S Undersize

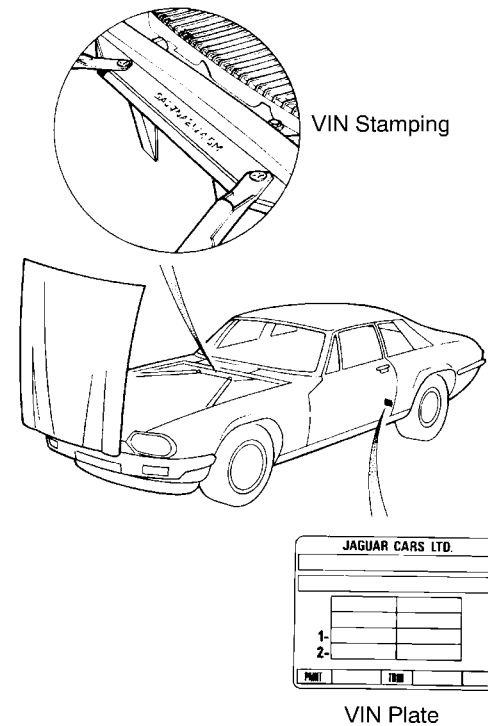
U.S.A. United States of America
 (V) Vehicle identification Number (VIN)
 WB Wheelbase
 W.S.E. When stock exhausted
 (+) Change point not available
 s This item is subject to safety regulations

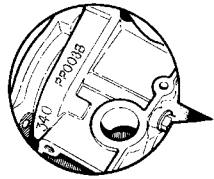
PART NUMBER SUFFIX LETTERS

E Exchange scheme item
 M Part supplied in multiples of metres (39.37")
 N New condition (ie not exchange)
 R Reconditioned unit

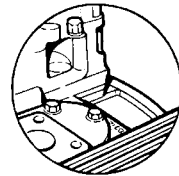
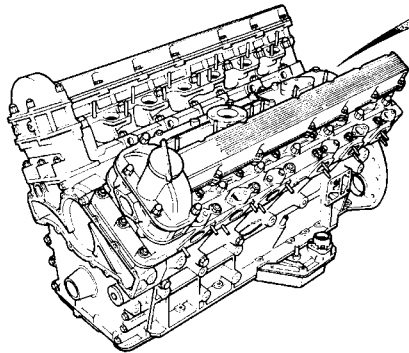
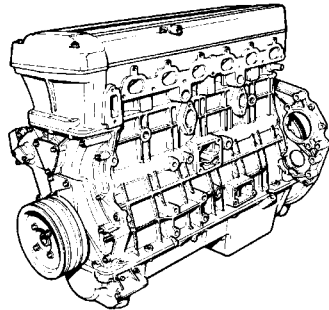
GROUP A

VIN Plate Location





3.6 Litre Engine



5.3 Litre Engine

GROUP A INTRODUCTION

VEHICLE IDENTIFICATION NUMBERING SYSTEM

The Vehicle Identification number comprises of a series of letters and numbers presenting, in code such information as Marque, Model Range, Class, Engine and Emission type etc. etc. The code for the Jaguar 3.6 & 5.3 litre range is as follows;

Prefix 1 to 4
World Manufacture Identifier.
SAJJ Jaguar

Prefix Class 6
A Base line
J Japanese Spec
L Canadian Spec
V USA Spec

Prefix 9
Transmission and Steering
3 Auto RHS
4 Auto LHS
7 Manual RHS
8 Manual LHS

Prefix 11
Emission Control System
A UK/Eur. Emm B.
B ROW Emm.F.
C Middle East Emm.D.
D Germany Emm.D.
E 3.61 Canada Emm.E.
F Austratia Emm.D.
G 3.61 Aus/Germany/Switzerland Emm.A.
H 3.61 Can/J/Swed/USA Emm.A.

Prefix 5
Model Range.
N=XJS

Prefix 7
Body Variant.
C=Cabriolet
E=Coupe

Prefix 8
Engine Variant
C=3.6 Litre
W=5.3 Litre

Prefix 10
Model Change.
H Series 1 (1987 Models)

Prefix 12 to 17
Serial Number.
139052 on

GROUP A INTRODUCTION

MAJOR UNIT NUMBERING SYSTEM

ENGINE NUMBERING

3.6 LITRE

The 3.6 litre range utilises a 12 character code, similar to the VIN System and contains information such as engine size, compression ratio and emission levels etc. The Codes used are listed below:

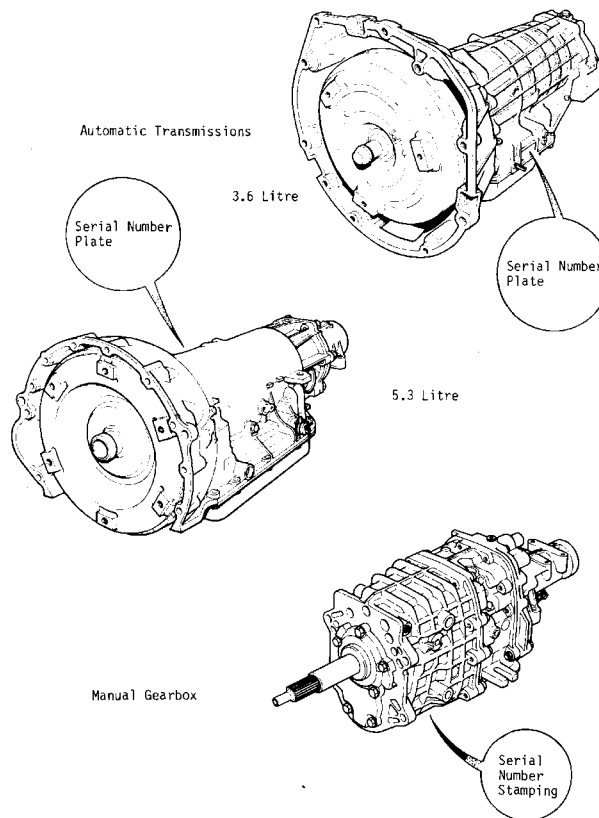
Prifix	Description	Code Used
1	Marque	9=Jaguar
2	Engine Size	D=3.6 Litre
3	Fuel	P=Petrol
4	Compression Ratio	A=High B=Standard
5	Emission Specification	L=USA/J/Sweden/Australia/ Germany/Switzerland M=European P=Australia/Middle East R=Canada S=ROW
6	Speicification Change	E=1987 Model Year
7 to 12	Serial Number	139052 onwards

5.3 Litre

The 5.3 litre range engine numbers commence with the prefix 8S with a sequential number suffixed by one of the following:

- HA=High Compression with grade A pistons & liners.
 - HB=High Compression with grade B pistons & liners
 - SA=Standard Compression with grade A pistons & liners.
 - SB=Standard Compression with grade B pistons & liners.
- eg. 8S12345HA.

GROUP A



GROUP A INTRODUCTION

MAJOR UNIT NUMBERING SYSTEMS

Manual Gearbox

The serial number for the Getrag manual gearbox is located on the front lower edge and will be consecutively numbered. eg. 004221.

Automatic Gearbox

3.6 litre.

The serial number for the ZG Automatic gearbox is located on the left hand side of the transmission case and will be consecutively numbered. eg. 470216.

5.3 litre.

The serial number for the General Motors automatic gearbox is located on the right hand side of the transmission case and will be consecutively numbered prefixed with 86ZVA. eg. 86ZVA1234.

Final Drive Units

The final drive unit serial number will be located on the output shaft side of the main diff. case assembly and will be consecutively numbered.

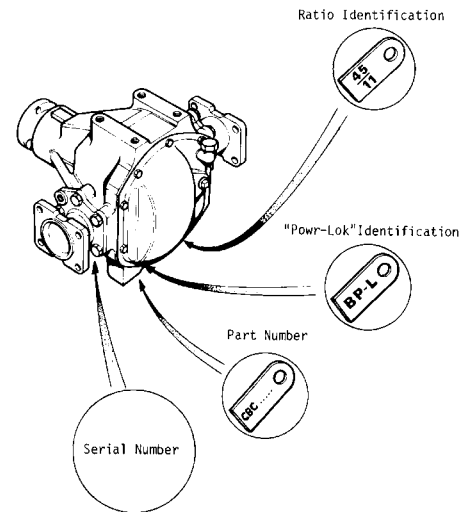
Three other identification marks to look for are:

- Part Number
- Axle Ratio
- Power Lok (Optional)

These are stamped on metal tags and secured to the back cover of the unit by means of the cover bolts. eg 86PO6563.

GROUP A

Final Drive Unit



GROUP A INTRODUCTION

BODY COLOUR RANGE

BODY COLOUR <u>SOLID</u>	JBC No.	PAINT CODE	UCCS No.
NIMBUS WHITE	700	NDJ	JLM9055
GRENADE RED	332	CEH	JLM9056
JAGUAR RACING GREEN	701	HEN	JLM9057
WESTMINSTER BLUE	712	JFG	JLM9058
BLACK	333	PDH	JLM9059
<u>METALLIC</u>			
BORDEAUX RED	340	CEK	JLM9060
CRIMSON	714	CEV	JLM9061
DIAMOND BLUE	743	JFN	JLM9080
SAVOY GREY	731	LEK	JLM9079
SOLENT BLUE	715	JFJ	JLM9062
ARCTIC BLUE	337	JFE	JLM9063
TUNGSTEN	781	JEX	JLM9064
TALISMAN SILVER	336	MDF	JLM9065
DORCHESTER GREY	342	LDP	JLM9066
SOVEREIGN GOLD	341	GDF	JLM9067
SATIN BEIGE	711	AFV	JLM9068
SILVER BIRCH	716	MDJ	JLM9069
ALPINE GREEN	709	HES	JLM9070
MOORLAND GREEN	717	HET	JLM9071
<u>MICA</u>			
GUNMETAL	740	LEH	JLM9078
JADE GREEN	735	HEV	JLM9077
REGENCY RED	734	TDD	JLM9076

GROUP A INTRODUCTION

TRIM COLOUR CROSS REFERENCE

COLOUR	MATERIAL	PROD CODE	UCCS CODE
BARLEY	LEATHER	AFW	AW
BISCUIT	LEATHER	ADE	AE
BUCKSKIN	LEATHER	AFR	AR
SAVILE GREY	LEATHER*	LDY	LY
PARCHMENT	LEATHER	HEZ	HZ
ISIS BLUE	LEATHER	JEF	JF
WARM CHARCOAL	LEATHER	LEG	LZ
MULBERRY	LEATHER	CEM	CM
DOESKIN	LEATHER	AEE	XE
MAGNOLIA	LEATHER	AEM	ZM
COTSWOLD TWEED	CLOTH	AFX	AX
CHEVIOT TWEED	CLOTH	LEF	YF
PENNINE TWEED	CLOTH	LEE	YE
CHILTERN TWEED	CLOTH	AFY	AY
CHAMPAGNE	CARPET	SDB	-
RATTAN	CARPET	AEF	XF
MINK	CARPET	ADP	AP
SMOKE GREY	CARPET	LEA	XA
SLATE GREY	CARPET	LDE	LE
WINE RED	CARPET	CEN	CN
LIMESTONE	HEADLINING	NDD	ND

*Also headlining from (V) 165791

GROUP INTRODUCTION

TRIM COLOUR COMBINATION CHART

LEATHER TRIM UP TO (V) 165790

DIRECTIONS FOR USE

- 1 Establish the basic trim colour of the car. These are the colours which appear in the Jaguar sales and advertising literature..
- 2 Select the basic trim colour in the left hand column of the chart.
- 3 Select the trim required from the description across the top of the chart.
- 4 By reading across and down the colour for the part can be obtained.

Basic trim Colour	Underscuttle casings, Windscreen finishers, Parcel shelf							
	Seats	Carpets	Door casings, Pockets, Armrests, Console	Rear quarter casings, pockets armrests	Flange finishers	Headlining, Cantrail Crash rolls, DE Posts	A Posts, Sunvisor, BC Posts, Coat Hook	
Barley	LZ	AW	XF	AW	AW	PA	ND	XE
Biscuit	LZ	AE	AP	AE	AE	PA	ND	XE
Isis blue	LZ	JF	LE	JF	JF	PA	ND	XE
Buckskin	LZ	AR	XF	AR	AR	PA	ND	XE
Doeskin	LZ	XE	XF	XE	XE	PA	ND	XE
Magnolia	LZ	ZM	AP	ZM	ZM	PA	MD	XE
Mulberry	LZ	CM	CN	CM	CM	PA	ND	XE
Savile grey	LZ	LY	XA	LY	LY	PA	ND	XE
Warm Charcoal	LZ	LZ	LE	LZ	LZ	PZ	ND	XE

GROUP A INTRODUCTION

TRIM COLOUR COMBINATION CHART

AMBLA/LEATHER/CLOTH TRIM UP TO (V) 165790

DIRECTIONS FOR USE

- 1 Establish the basic trim colour of the car. These are the colours which appear in the jaguar sales and advertising literature.
- 2 Select the basic trim colour in the left hand column of the chart.
- 3 Select the trim required from the description across the top of the chart.
- 4 By reading across and down the colour for the part can be obtained.

Basic Trim Colour	Underscuttle casings, Windscreen finishers							
	Seats	Carpets	Door casings, Pockets, Armrest Console	Rear quarter casings, Pockets, Armrests	Flange finishers	Headlining, Cantrail, Crash Roll, DE Posts	A Posts, Sunvisor, BC Posts, Coat hook	
Cheviot Tweed	LZ	YF	XA	LY	LY	PA	ND	XE
Chiltern Tweed	LZ	AY	XF	XE	XE	PA	ND	XE
Coltswood Tweed	LZ	AX	XF	AW	AW	PA	ND	XE
Pennine Tweed	LZ	YE	LE	LZ	LZ	PA	ND	XE

**TRIM COLOUR COMBINATION CHART
 AMBLA/LEATHER/CLOTH TRIM FROM (V) 165791**

1. Establish the basic trim colour of the car. These are the colours which appear in the Jaguar sales and advertising literature.
2. Select the basic trim colour in the left hand column of the chart.
3. Select the trim required from the description across the top of the chart.
4. By reading across and down the colour for the part can be obtained.

OVERALL INTERIOR COLOUR DESCRIPTION	SEATS, DOOR CASINGS CENTRE CONSOLE, UNDERSCUTTLE	SEAT BELT WEBBING	UPPER AREA TRIM/HEADLINING ETC	CARPET INTERIOR
BARLEY COTSWOLD TWEED	BARLEY COTSWOLD	BARLEY	DOESKIN/LIMESTONE	RATTAN
DOESKIN CHILTERN TWEED	DOESKIN CHILTERN	DOESKIN		
SAVILE GREY CHEVIOT TWEED	SAVILE GREY CHEVIOT	SAVILE GREY	SAVILE GREY	SMOKE GREY
WARM CHARCOAL PENNINE TWEED	WARM CHARCOAL PENNINE	WARM CHARCOAL	SAVILE GREY	SLATE GREY

**TRIM COLOUR COMBINATION CHART
LEATHER TRIM FROM (V) 165791**

1. Establish the basic trim colour of the car. These are the colours which appear in the Jaguar sales and advertising literature.
2. Select the basic trim colour in the left hand column of the chart.
3. Select the trim required from the description across the top of the chart.
4. By reading across and down the colour for the part can be obtained.

OVERALL INTERIOR COLOUR DESCRIPTION	SEATS, DOOR CASINGS CENTRE CONSOLE, UNDERSCUTTLE	SEAT BELT WEBBING	UPPER AREA TRIM/HEADLINING ETC	CARPET INTERIOR
DOESKIN	DOESKIN	DOESKIN	DOESKIN/LIMESTONE	RATTAN
MAGNOLIA	MAGNOLIA	MAGNOLIA		CHAMPAGNE
BARLEY	BARLEY	BARLEY		RATTAN
SAVILE GREY	SAVILE GREY	SAVILE GREY	SAVILE GREY*	SMOKE GREY
ISIS BLUE	ISIS BLUE	WARM CHARCOAL		
MULBERRY	MULBERRY	WARM CHARCOAL	DOESKIN/LIMESTONE	WINE RED
WARM CHARCOAL	WARM CHARCOAL	WARM CHARCOAL	SAVILE GREY*	SLATE GREY
PARCHMENT	PARCHMENT	PARCHMENT	DOESKIN/LIMESTONE	RATTAN

– Supplementary to the above matrix are 6 optional contrast piping and carpet options using variations of existing colours.

* Upper area trim on Convertible is doeskin only.

XJ-S COACHLINE COMBINATION CHART UP TO (V) 165790

BODY COLOUR TRIM COLOUR	GLACIER WHITE	JET BLACK	WESTMINSTER BLUE	JAGUAR RACING GREEN	GRENADIER RED	SATIN BEIGE	SOLENT BLUE	TALISMAN SILVER	ARCTIC BLUE	TUNGSTEN	DORCHESTER GREY	MOORLAND GREEN	BORDEAUX RED	ALPINE GREEN	CRIMSON	SILVER BIRCH	SIGNAL RED
ISIS BLUE	GM	GM	GM	O	GM	G	GM	GM	O	O	GM	O	O	O	O	G	GM
WARM CHARCOAL	GM	GM	GM	GM	GM	O	GM	GM	O	O	GM	GM	GM	GM	GM	GM	GM
MULBERRY	R	R	R	-	-	R	R	R	R	R	R	-	-	-	-	R	-
DOESKIN	O	O	O	O	O	G	O	GM	O	O	O	O	O	O	O	G	O
SAVILE GREY	GM	GM	GM	GM	GM	-	GM	GM	O	O	GM	GM	GM	GM	GM	-	GM
BUCKSKIN	O	O	O	O	O	G	O	GM	O	O	O	O	O	O	O	G	O
MAGNOLIA	O	O	O	O	O	G	O	GM	O	O	O	O	O	O	O	G	O
BARLEY	G	G	G	G	G	G	G	GM	O	O	G	O	G	O	G	G	G
COTSWOLD TWEED	G	G	G	G	G	G	G	GM	O	O	G	O	G	O	G	G	G
CHEVIOT TWEED	GM	GM	GM	GM	GM	-	GM	GM	O	O	GM	GM	GM	GM	GM	-	GM
PENNINE TWEED	GM	GM	GM	GM	GM	O	GM	GM	O	O	GM	GM	GM	GM	GM	GM	GM
CHILTERN TWEED	O	O	O	O	O	G	O	GM	O	O	O	O	O	O	O	G	O
3.6 SPORTSPACK <small>(ALL TRIM COLOURS)</small>	RQ	RB	RQ	RQ	AQ	RQ	RQ	RB	RB	RB	RQ	RQ	RQ	RQ	RQ	RQ	AQ

COACHLINE KEY
 GM = GUNMETAL
 O = OYSTER
 G = GOLDLEAF
 R = DARK RED
 RB = FLAME RED-UPPER
 PEWTER-LOWER
 RQ = FLAME RED-UPPER
 QUICKSILVER-LOWER
 AQ = AMBER-UPPER
 QUICKSILVER-LOWER

XJ-S COACHLINE COMBINATION CHART FROM (V) 165791

BODY COLOUR	COACHLINE COLOUR	
	USA & CDN	ALL MARKETS (NOT USA & CDN)
ARCTIC BLUE	GM	RB
BLACK	G	RB
BORDEAUX RED	O	RQ
DIAMOND BLUE	GM	RQ
GLACIER WHITE	GM	RQ
GRENADIER RED	G	AQ
GUN METAL	O	RQ
JADE GREEN	G	RQ
JAGUAR RACING GREEN	G	RQ
REGENCY RED	G	RQ
SATIN BEIGE	G	RQ
SAVOY GREY	G	RQ
SIGNAL RED	G	AQ
SILVER	GM	RB
SOLENT BLUE	O	RQ
TUNGSTEN	O	RB
WESTMINSTER BLUE	O	RQ

COACHLINE KEY

GM = GUNMETAL

G = GOLDLEAF

O = OYSTER

RB = FLAME RED - UPPER / PEWTER - LOWER

RQ = FLAME RED - UPPER / QUICKSILVER - LOWER

AQ = AMBER - UPPER / QUICKSILVER - LOWER

SEATS WITH CONTRASTING PIPING

Seat components trimmed with contrasting piping other than those shown on this fiche, will be special order only and the basic trim/piping combination will have to be quoted at the time of ordering.

JAGUAR SPORT MODELS

Parts which are unique to Jaguar Sport models have been allocated the following pre-fixes:-

- SPB – Body Components
- SPC – Chassis Components
- SPD – Electrical Components
- SPE – Engine Components

These parts will not appear on this fiche and any orders should be directed to Jaguar Sport Ltd or one of its nominated dealers.

INTRODUCTION - Country Abbreviations

Index Mark	Office	Index Mark	Office	Index Mark	Office	Index Mark	Office
A	Austria	ES	El Salvador	M	Malta	RU	Burundi
ADN	Yemen People's Democratic Rep.	ET	Egypt, Arab Republic of	MA	Morocco	RWA	Rwanda
AFG	Afganistan	ETH	Ethiopia	MAL	Malaysia*	S	Sweden
AL	Albania	F	France	MC	Monaco	SD	Swaziland*
AND	Andorra	FJI	Fiji	MEX	Mexico	SF	Finland
AUS	Australia*	FL	Liechtenstein	MS	Mauritius*	SGP	Singapore*
B	Belgium	FR	Faroe Islands	MW	Malawi*	SME	Suriname*
BD	Bangladesh*	GB	United Kingdom of Great Britain & Northern Ireland*	N	Norway	SN	Senegal
BDS	Barbados*	GBA	Alderney*	NA	Netherlands Antilles	SU	Union of Soviet Socialist Republics
BG	Bulgaria	GBM	Guernsey*	NIC	Nicaragua	SWA or ZA	Namibia
BH	Belize	GBJ	Jersey*	NL	Netherlands	SY	Seychelles
BR	Brazil	GBL	Isle of Man*	NZ	New Zealand*	SYR	Syria
BRN	Bahrain	GBM	Gibraltar*	P	Portugal	T	Thailand
BRU	Brunei*	GBZ	Guatemala	PA	Panama	TG	Togo
BS	Bahamas*	GCA	Ghana	PAK	Pakistan*	TN	Tunisia
BUR	Burma	GH	Greece	PE	Peru	TR	Turkey
C	Cuba	GR	Guyana	PL	Poland	TT	Trinidad & Tobago*
CAL	California	GUY	Hungary	PNG	Papua New Guinea*	USA	United States of America
CDN	Canada	H	Hong Kong*	PY	Paraguay	V	Vatican City
CH	Switzerland	HK	Jordan	RA	Argentina	VN	Vietnam
CI	Ivory Coast	HKJ	Italy	RB	Botswana*	WAG	Gambia
CL	Sri Lanka*	I	Israel	RC	Taiwan	WAL	Sierra Leone
CO	Colombia	IL	India*	RCA	Central African Republic	WAN	Nigeria
CR	Costa Rica	IND	Iran	RCB	Congo	WD	Dominica*
CS	Czechoslovakia	IR	Ireland*	RCH	Chile	WG	Grenada*
CY	Cyprus*	IRL	Iraq	RH	Haiti	WL	St Lucia*
D	German Federal Republic	IRQ	Iceland	RI	Indonesia*	WS	Western Samoa
DDR	German Democratic Republic	IS	Japan	RIM	Mauritania	WV	St Vincent & the Grenadine
DK	Denmark	J	Jamaica	RL	Lebanon	YU	Yugoslavia
DOM	Dominican Republic	JA	Kampuchea	RM	Madagascar	YV	Venezuela
DY	Benin	K	Kuwait	RMM	Mali	Z	Zambia
DZ	Algeria	KWT	Luxembourg	RN	Niger	ZA	South Africa*
E	Spain	L	Lao People's Democratic Republic	RO	Romania	ZRE	Zaire
EAK	Kenya*	LAO	Libya	ROK	Korea, Republic of	ZW	Zimbabwe*
EAT or EAZ	Tanzania*	LAR	Liberia	ROU	Uruguay		
EAU	Uganda*	LB	Lesotho*	RP	Philippines		
EC	Equador	LS		RSM	San Marino		

NOTE: In countries marked with an asterisk (*) the rule of the road is 'drive on the left', otherwise 'drive on the right'.