

# Parts Catalogue

## Jaguar XJS

from VIN 179737

Whilst every effort is made to ensure the accuracy of the particulars contained in this Manual the Manufacturing Companies will not, in any circumstances, be held liable for any inaccuracies or the consequences thereof.

© Jaguar Cars Ltd 1999

All rights reserved. No part of this publication may be reproduced, stored in a retrieval system or transmitted in any form, whether by electronic, mechanical, photocopying, recording or other means without the permission of Jaguar Cars Limited.

## JAGUAR

Replacement parts that are not of genuine Jaguar supply cannot be relied upon to be of correct specification, material, and workmanship and therefore Jaguar cannot be expected to extend warranty to vehicles which have been fitted with parts not supplied by them.

Jaguar reserves the right to make changes or improvements in the construction or specification of their products at any time.

IN ORDER TO ENSURE PROMPT AND CORRECT EXECUTION OF YOUR ORDERS, IT IS ESSENTIAL TO QUOTE:

1. The relative Unit Number, together with prefixes, suffixes and specification references where applicable.  
e.g. Axle, Body, Vehicle Identification, Engine, Gearbox Numbers etc.
2. The Part Number and description (prefix and suffix letters to Part Numbers must always be quoted).
3. Always state the colour of carpets, painted items, trim items etc., using the colour code from the Vehicle Identification Number (VIN) plate and the colour combination key to identify the colour name.
4. The quantity required bearing in mind that the quantities shown are those used in the application actually illustrated. Sometimes only minimum package quantities are available. These packs may well contain more parts than are required for a single job; for details of packaged quantities, see the Service Parts List.

THE LISTING OR ILLUSTRATING OF AN ITEM DOES NOT  
GUARANTEE ITS AVAILABILITY

## INDEX TO INTRODUCTION SECTION - XJS

MICROFICHE PAGE REFERENCE	PAGE TITLE	REMARKS
B03	COUNTRY ABBREVIATIONS	Country abbreviations used in the microfiche text are referenced on this page.
B04	STANDARD ABBREVIATIONS	Standard abbreviations used in the microfiche text are referenced on this page.
B05	VEHICLE IDENTIFICATION NUMBERING SYSTEM	VIN Serial letters and numbers explained. VIN plate location.
B06	MODEL YEAR VIN NUMBERS	Commencing VIN Serial Numbers for each Model Year.
B07	ENGINE NUMBERING SYSTEM	Engine number coding explained. Location of engine serial numbers and stamping.
B08	MAJOR UNIT NUMBERING SYSTEM	Transmission units codes explained. Location of gearbox, manual and automatic and final drive unit serial numbers and final drive unit
B09	BODY COLOUR AND COACHLINE RANGE	Body colour/coachline
B10	TRIM COLOUR/PART NUMBER SUFFIX CROSS REFERENCE	2 & 3 Digit suffixes. Includes fascia and carpets.
B11	TRIM COLOUR COMBINATION CHART	Denotes trim colour ranges applicable to specific areas of vehicle interior - Up to VIN 185820.
B12	TRIM COLOUR COMBINATION CHART	Denotes trim colour ranges applicable to specific areas of vehicle interior - From VIN 185820 to VIN 194775 Except North America, V12 - From VIN 188105 to VIN 194775
B13	TRIM COLOUR COMBINATION CHART	From VIN 188105 to VIN 194775 - North America, V12
B14	TRIM COLOUR COMBINATION CHART	Denotes trim colour ranges applicable to specific areas of vehicle interior - From VIN 194775
B15-19	HOW TO USE THE PARTS MICROFICHE	Details of microfiche layout and content. Method of use explained.

## MODEL YEAR VIN NUMBERS

1992 MY	FROM VIN 179737
1992.5 MY	FROM VIN 184574
1993 MY	FROM VIN 185820
1993.5 MY	FROM VIN 188105 - 6.0 LITRE COMMENCED
1994 MY	FROM VIN 190528
1994.75 MY	FROM VIN 194775
1995.25 MY	FROM VIN 198335
1995.5 MY	FROM VIN 221855
1996 MY	FROM VIN 222632

## MAJOR UNIT NUMBERING SYSTEM

### ENGINE NUMBERING - XJS

#### 4.0 LITRE

The 4.0 Litre range utilises a 12 character code, similar to the VIN System and contains information such as engine size, compression ratio and emission levels etc. The codes used are listed below:

PREFIX	DESCRIPTION	CODE USED
1	MARQUE	9 = JAGUAR
2	ENGINE SIZE	E = 4.0 LITRE L = 4.0 LITRE - 1994.75 MY
3	FUEL	P = PETROL
4	COMPRESSION RATIO	A = HIGH B = STANDARD C = 4.0 LITRE
5	EMISSION SPECIFICATION	L = EMISSION A M = EMISSION B N = EMISSION C P = EMISSION D R = EMISSION E S = EMISSION F
6	SPECIFICATION CHANGE	E = 1987 MY
7 TO 12	SERIAL NUMBER	100001 ONWARDS

#### 5.3 LITRE

The 5.3 Litre range engine numbers commence with the prefix 8S with a sequential number suffixed by one of the following:

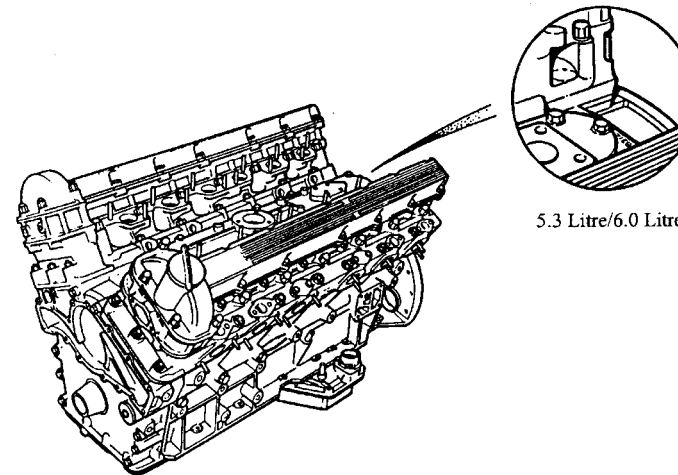
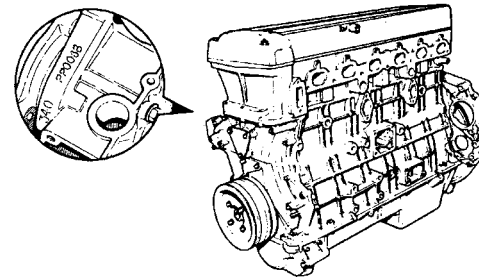
SA = Standard Compression with grade A pistons and liners (Up to 8S.72156)

SB = Standard Compression with grade B pistons and liners

From 8S.72157 last letter of suffix denotes emission type.

#### 6.0 LITRE

The 6.0 Litre range engine numbers commence with the prefix 8D.



5.3 Litre/6.0 Litre

## GEARBOX/FINAL DRIVE UNIT NUMBERING SYSTEMS - XJS

### Manual Gearbox

The serial number for the Getrag manual gearbox is located on the front lower edge and will be consecutively numbered, e.g. 004221.

### Automatic Gearbox

4.0 litre.

The serial number for the ZF Automatic gearbox is located on the left hand side of the transmission case and will be consecutively numbered, e.g. 470216.

5.3 litre.

The serial number for the General Motors automatic gearbox is located on the right hand side of the transmission case and will be consecutively numbered prefixed with 86ZVA, e.g. 86ZVA1234.

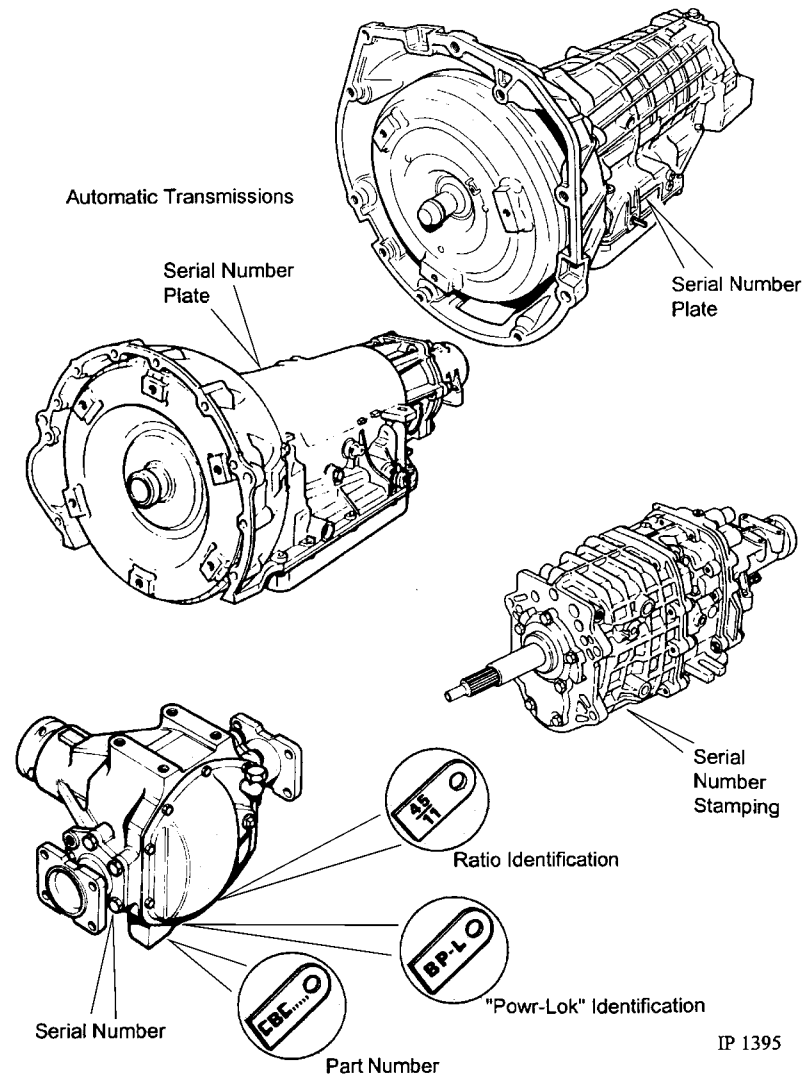
### Final Drive Units

The final drive unit serial number will be located on the output shaft side of the main diff. case assembly and will be consecutively numbered.

Three other identification marks to look for are:

- a. Part Number
- b. Axle Ratio
- c. Power Lok (Optional)

These are stamped on metal tags and secured to the back cover of the unit by means of the cover bolts, e.g. 86PO6563.



## GEARBOX/FINAL DRIVE UNIT NUMBERING SYSTEMS - XJS

### Manual Gearbox

The serial number for the Getrag manual gearbox is located on the front lower edge and will be consecutively numbered, e.g. 004221.

### Automatic Gearbox

4.0 litre.

The serial number for the ZF Automatic gearbox is located on the left hand side of the transmission case and will be consecutively numbered, e.g. 470216.

5.3 litre.

The serial number for the General Motors automatic gearbox is located on the right hand side of the transmission case and will be consecutively numbered prefixed with 86ZVA, e.g. 86ZVA1234.

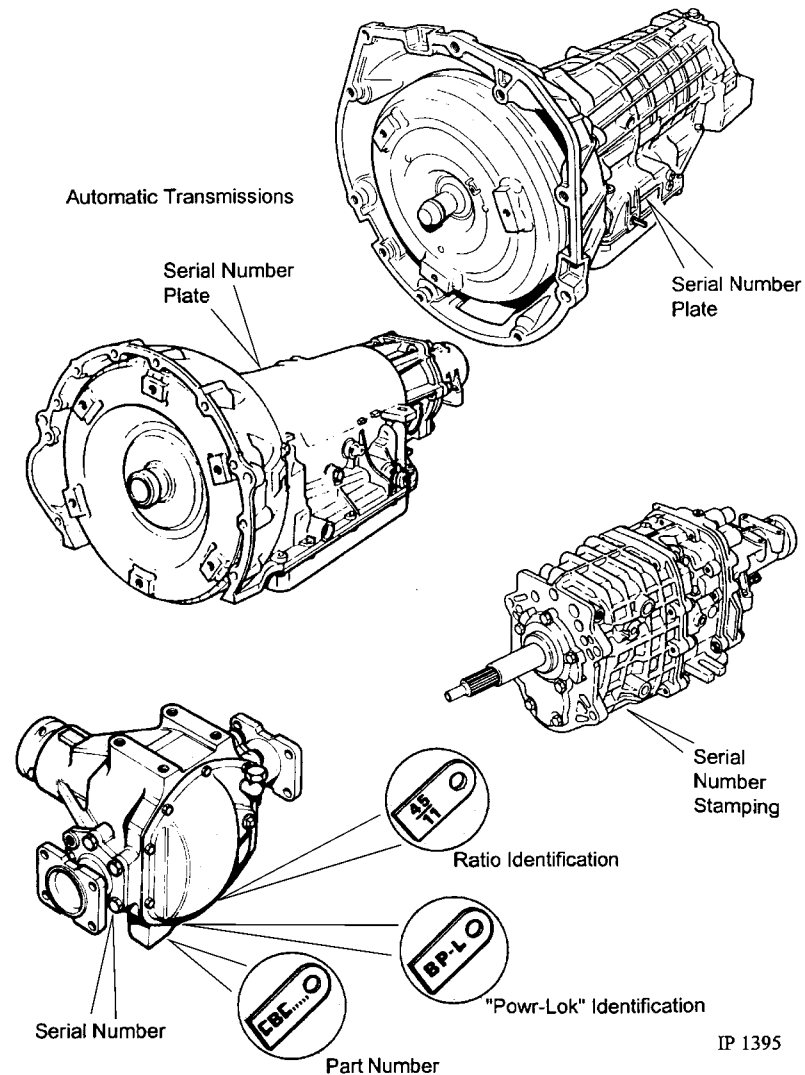
### Final Drive Units

The final drive unit serial number will be located on the output shaft side of the main diff. case assembly and will be consecutively numbered.

Three other identification marks to look for are:

- a. Part Number
- b. Axle Ratio
- c. Power Lok (Optional)

These are stamped on metal tags and secured to the back cover of the unit by means of the cover bolts, e.g. 86PO6563.



## BODY COLOUR AND COACHLINE RANGE - XJS

### UP TO VIN 194774

BODY COLOUR	PAINT CODE	JBC NO.	COACHLINE (NOT IN USA)
ARCTIC BLUE	JFE	337	RB
BLACK (1)	PDH	333	RB
BLACK (2)	PDT	807	RB
BLACK CHERRY	PDP	737	RQ
BORDEAUX RED	CEK	340	RQ
BRITISH RACING GREEN	HFB	753	RQ
BROOKLANDS GREEN	HFB	753	RQ
CATKIN	HFD	777	RQ
DIAMOND BLUE (M)	JFN	743	RB
FLAMENCO	CFH	765	AQ
GLACIER WHITE	NDP	742	RQ
GUNMETAL	LEH	740	RQ
JADE GREEN	HEV	735	RQ
KINGFISHER BLUE	HFE	779	RQ
METEOR RED	CFJ	736	AQ
MOROCCO RED	CFG	778	RQ
OYSTER	SDE	751	RB
PLATINUM	LEP	775	RB
REGENCY RED	CFA	734	RQ
ROSE BRONZE	FDL	795	RB
SAVOY GREY	LEK	731	RQ
SIGNAL RED	CFC	748	AQ
SILVER FROST	MDK	750	RB
SOLENT BLUE	JFJ	715	RQ
TUNGSTEN	JEX	718	RB
TUSCANY BRONZE	SDD	754	RQ
WESTMINSTER BLUE	JFG	712	RQ

### FROM VIN 194775

BODY COLOUR	PAINT CODE	JBC NO.	BOTTOM STRIPE COLOUR	CODE	JBC NO.	TOP STRIPE COLOUR	CODE	JBC NO.
BLACK	PDT	807	GREY	LDV	851	RED	CDD	855
BRITISH RACING GREEN	HFB	753	AEGEAN	HDS	852	RED	CDD	855
FLAMENCO	CFH	765	CREAM	NEA	850	RED	CDD	855
GLACIER WHITE	NDP	742	GREY	LDV	851	MAROON	CDA	854
ICE BLUE	MDP	821	BLUE	JDS	853	MAROON	CDA	854
JADE GREEN	HEV	735	CREAM	NEA	850	MAROON	CDA	854
KINGFISHER	GHE	779	AEGEAN	HDS	852	RED	CDD	855
MOROCCO RED	CFG	778	CREAM	NEA	850	RED	CDD	855
ROSE BRONZE	SDL	795	GREY	LDV	851	MAROON	CDA	854
SAPPHIRE	JGE	806	GREY OR BLUE	LDV OR JDS	851 OR 853	RED	CDD	855
SIGNAL RED	CFC	748	CREAM	NEA	850	MAROON	CDA	854
SILVER FROST	MDK	750	BLUE	JDS	853	MAROON	CDA	854
STEEL GREY	LEV	783	CREAM	NEA	850	RED	CDD	855
TITANIUM	LFA	810	GREY	LDV	851	RED	CDD	855
TOPAZ	SDN	820	GREY	LDV	851	MAROON	CDA	854
BRIGHT TURQUOISE	UDB	827	AEGEAN	HDS	852	MAROON	CDA	854
WESTMINSTER BLUE	JFG	712	GREY	LDV	851	RED	CDD	855

COACHLINE KEY: RB = FLAME RED OVER PEWTER  
 RQ = FLAME RED OVER QUICKSILVER  
 AQ = AMBER OVER QUICKSILVER

(1) UP TO 1994 MY

(2) FROM 1994 MY

## TRIM COLOUR / PART NUMBER SUFFIX CROSS REFERENCE - XJS

COLOUR	MATERIAL	2 LETTER SUFFIX	3 LETTER SUFFIX
BARLEY	LEATHER OR AMBLA	AW	AFW
BARLEY	FASCIA	-	AFW
CHAMPAGNE	CARPET	-	SDB
CHERRY RED	LEATHER OR AMBLA	-	CFK
CHEVIOT TWEED	CLOTH	YF	LEF
CHILTERN TWEED	CLOTH	AY	AFY
COTSWOLD TWEED	CLOTH	AX	AFX
DOESKIN	LEATHER OR AMBLA	XE	AEE
DOESKIN	HEADLINING	-	AEE
DOESKIN	FASCIA	-	AEE
ISIS BLUE	LEATHER OR AMBLA	JF	JEF
MAGNOLIA	LEATHER OR AMBLA	ZM	AEM
MID GREY	FASCIA	-	LEM
MULBERRY	LEATHER OR AMBLA	CM	CEM
PARCHMENT	LEATHER	-	HEZ
PENNINE TWEED	CLOTH	YE	LEE
RATTAN	CARPET	XF	AEF
RUBY	CARPET	-	CFN
SAGE	FASCIA	-	HFA
SAGE	CARPET	-	HFA
SAVILE GREY	LEATHER OR AMBLA	LY	LDY
SAVILE GREY	HEADLINING	-	LDY
SMOKE GREY	CARPET	XA	LEA
WARM CHARCOAL	LEATHER OR AMBLA	LZ	LEG
WARM CHARCOAL	FASCIA	-	LEG
WINE RED	CARPET	CN	CEN



## TRIM COLOUR COMBINATION CHART ALL MARKETS - UP TO VIN 185819

1. Establish the basic trim colour of the car.
2. Select the basic trim colour in the left hand column of the chart.
3. Select the trim required from the description across the top of the chart.
4. By reading across and down the colour and suffix for the part can be obtained.

	COLUMN 1	COLUMN 2	COLUMN 3	COLUMN 4	COLUMN 5	COLUMN 6	COLUMN 7
OVERALL INTERIOR COLOUR DESCRIPTION	SEATS, DOOR CASINGS, CENTRE CONSOLE, UNDERSCUTTLE	SEAT BELT WEBBING AND FURNITURE	FACIA	UPPER AREA TRIM/ HEADLINING	CARPET INTERIOR	DOOR APERTURE (DOOR WELT)	BOOT CARPET
DOESKIN	DOESKIN	DOESKIN	DOESKIN	DOESKIN	RATTAN DOESKIN BINDING	DOESKIN	RATTAN
CHILTERN TWEED	CHILTERN TWEED DOESKIN	DOESKIN	DOESKIN	DOESKIN	RATTAN DOESKIN BINDING	DOESKIN	RATTAN
BARLEY	BARLEY	BARLEY	BARLEY	DOESKIN	CHAMPAGNE BARLEY BINDING	DOESKIN	RATTAN
COTSWOLD TWEED	COTSWOLD TWEED BARLEY	BARLEY	BARLEY	DOESKIN	CHAMPAGNE BARLEY BINDING	DOESKIN	RATTAN
MAGNOLIA	MAGNOLIA	MAGNOLIA	BARLEY	DOESKIN	CHAMPAGNE MAGNOLIA BINDING	DOESKIN	RATTAN
SAVILE GREY	SAVILE GREY	SAVILE GREY	MID GREY	SAVILE GREY	SMOKE GREY SAVILE GREY BINDING	SAVILE GREY	SMOKE GREY
CHEVIOT TWEED	CHEVIOT TWEED SAVILE GREY	SAVILE GREY	MID GREY	SAVILE GREY	SMOKE GREY SAVILE GREY BINDING	SAVILE GREY	SMOKE GREY
ISIS BLUE	ISIS BLUE	WARM CHARCOAL	WARM CHARCOAL	SAVILE GREY	SMOKE GREY SAVILE GREY BINDING	SAVILE GREY	SMOKE GREY
PARCHMENT	PARCHMENT	PARCHMENT	SAGE	DOESKIN	SAGE PARCHMENT BINDING	DOESKIN	RATTAN
CHERRY RED	CHERRY RED	WARM CHARCOAL	WARM CHARCOAL	SAVILE GREY	RUBY CHERRY RED BINDING	WARM CHARCOAL	SMOKE GREY
WARM CHARCOAL	WARM CHARCOAL	WARM CHARCOAL	WARM CHARCOAL	SAVILE GREY	SMOKE GREY SAVILE GREY BINDING	WARM CHARCOAL	SMOKE GREY
PENNINE TWEED	PENNINE TWEED WARM CHARCOAL	WARM CHARCOAL	WARM CHARCOAL	SAVILE GREY	SMOKE GREY SAVILE GREY BINDING	WARM CHARCOAL	SMOKE GREY

**TRIM COLOUR COMBINATION CHART**  
**ALL MARKETS - FROM VIN 185820 TO VIN 194775**  
**EXCEPT NORTH AMERICA, V12 - FROM VIN 188105 TO VIN 194775**

1. Establish the basic trim colour of the car
2. Select the basic trim colour in the left hand column of the chart.
3. Select the trim required from the description across the top of the chart.
4. By reading across and down the colour and suffix for the part can be obtained.

	COLUMN 1	COLUMN 2	COLUMN 3	COLUMN 4	COLUMN 5	COLUMN 6	COLUMN 7
OVERALL INTERIOR COLOUR DESCRIPTION	SEATS, DOOR CASINGS, CENTRE CONSOLE, UNDERSCUTTLE	SEAT BELT WEBBING AND FURNITURE	FACIA	UPPER AREA TRIM/HEADLINING	CARPET INTERIOR	DOOR APERTURE FURFLEX (DOOR WELT)	BOOT CARPET
DOESKIN	DOESKIN	DOESKIN	DOESKIN	DOESKIN	RATTAN	BLACK	SISAL
DOESKIN SCULPTURED FABRIC					DOESKIN BINDING		
BARLEY	BARLEY	BARLEY	BARLEY	DOESKIN	CHAMPAGNE	BLACK	SISAL
BARLEY SCULPTURED FABRIC					BARLEY BINDING		
MAGNOLIA	MAGNOLIA	MAGNOLIA	BARLEY	DOESKIN	CHAMPAGNE	BLACK	SISAL
					MAGNOLIA BINDING		
SAVILE GREY	SAVILE GREY	SAVILE GREY	MID GREY	SAVILE GREY	SMOKE GREY	BLACK	LIGHT GREY
SAVILE GREY SCULPTURED FABRIC					SAVILE GREY BINDING		
ISIS BLUE	ISIS BLUE	WARM CHARCOAL	WARM CHARCOAL	SAVILE GREY	SMOKE GREY	BLACK	LIGHT GREY
ISIS BLUE SCULPTURED FABRIC					SAVILE GREY BINDING		
PARCHMENT	PARCHMENT	PARCHMENT	SAGE	DOESKIN	SAGE	BLACK	SISAL
					PARCHMENT BINDING		
CHERRY RED	CHERRY RED	WARM CHARCOAL	WARM CHARCOAL	SAVILE GREY	RUBY	BLACK	LIGHT GREY
					CHERRY RED BINDING		
WARM CHARCOAL	WARM CHARCOAL	WARM CHARCOAL	WARM CHARCOAL	SAVILE GREY	SMOKE GREY	BLACK	LIGHT GREY
					SAVILE GREY BINDING		
CREAM	CREAM (1)	DOESKIN	WARM CHARCOAL	DOESKIN	COFFEE CREAM BINDING	BLACK	SISAL

(1) Autolux only with Black Underscuttle and Doeskin Parcel Shelf

**NORTH AMERICAN V12 TRIM POLICY  
VIN 188105 UP TO VIN 194774**

BODY COLOUR	16" 5-SPOKE GOLD PAINTED WHEELS	COACHLINE	HEADLAMP BEZELS	SEATS DOOR CASING CENTRE CONSOLE REAR QUARTERS LOWER A POST HANDBRAKE GRIP/ COVER	FACIA	PIPING/ CONTRAST STITCHING	HEADER A POST CONVERTIBLE	A POST/ CANTRAIL COUPE	SUNVISORS COUPE & CONVERTIBLE	B POST PARCEL SHELF	WOODSET/ GEARKNOB	INSTRUMENT PACK	CARPET	HOOD	HOOD COVER
BLACK	RED/SILVER BADGE	GOLD	BLACK	BARLEY	BARLEY	BLACK	BARLEY	BARLEY	BARLEY	BARLEY	BURR WALNUT	BURR WALNUT	COFFEE	BLACK	BARLEY
BLACK	RED/SILVER BADGE	GOLD	BLACK	CREAM	BARLEY	BLACK	BARLEY	BARLEY	BARLEY	BARLEY	BURR WALNUT	BURR WALNUT	COFFEE	BLACK	CREAM
WHITE	RED/SILVER BADGE	GOLD	CHROME	BARLEY	BARLEY	BUCKSKIN	BARLEY	BARLEY	BARLEY	BARLEY	BURR WALNUT	BURR WALNUT	COFFEE	BEIGE	BARLEY
WHITE	RED/SILVER BADGE	GOLD	CHROME	CREAM	BARLEY	BUCKSKIN	BARLEY	BARLEY	BARLEY	BARLEY	BURR WALNUT	BURR WALNUT	COFFEE	BEIGE	CREAM
FLAMENCO	RED/SILVER BADGE	GOLD	FLAMENCO	BARLEY	BARLEY	MULBERRY	BARLEY	BARLEY	BARLEY	BARLEY	BURR WALNUT	BURR WALNUT	COFFEE	BEIGE	BARLEY
FLAMENCO	RED/SILVER BADGE	GOLD	FLAMENCO	CREAM	BARLEY	MULBERRY	BARLEY	BARLEY	BARLEY	BARLEY	BURR WALNUT	BURR WALNUT	COFFEE	BEIGE	CREAM
FLAMENCO THEME 1	RED/SILVER BADGE	GOLD	FLAMENCO	CREAM	BARLEY	MULBERRY	BARLEY	BARLEY	BARLEY	BARLEY	RED MAPLE	BLACK	RUBY RED	BEIGE	CREAM
BRITISH RACING GREEN	RED/SILVER BADGE	GOLD	BRITISH RACING GREEN	BARLEY	BARLEY	GREEN	BARLEY	BARLEY	BARLEY	BARLEY	BURR WALNUT	BURR WALNUT	COFFEE	BEIGE	BARLEY
BRITISH RACING GREEN	RED/SILVER BADGE	GOLD	BRITISH RACING GREEN	CREAM	BARLEY	GREEN	BARLEY	BARLEY	BARLEY	BARLEY	BURR WALNUT	BURR WALNUT	COFFEE	BEIGE	CREAM
BRITISH RACING GREEN THEME 2	RED/SILVER BADGE	GOLD	BRITISH RACING GREEN	CREAM	BARLEY	GREEN	BARLEY	BARLEY	BARLEY	BARLEY	GREEN MAPLE	BLACK	COFFEE	BEIGE	CREAM
OYSTER	RED/SILVER BADGE	RED/PEWTER	OYSTER	BARLEY	BARLEY	BUCKSKIN	BARLEY	BARLEY	BARLEY	BARLEY	BURR WALNUT	BURR WALNUT	COFFEE	BROWN	BARLEY
OYSTER	RED/SILVER BADGE	RED/PEWTER	OYSTER	CREAM	BARLEY	BUCKSKIN	BARLEY	BARLEY	BARLEY	BARLEY	BURR WALNUT	BURR WALNUT	COFFEE	BROWN	CREAM

**TRIM COLOUR COMBINATION CHART  
FROM VIN 194775**

	<b>COLUMN 1</b>	<b>COLUMN 2</b>	<b>COLUMN 3</b>	<b>COLUMN 4</b>	<b>COLUMN 5</b>	<b>COLUMN 6</b>	<b>COLUMN 7</b>
OVERALL INTERIOR COLOUR DESCRIPTION	SEATS, DOOR CASINGS, CENTRE CONSOLE, UNDERSCUTTLE	SEAT BELT WEBBING & FURNITURE	FACIA/DOOR TOP ROLLS	HEADLINING/ UPPER ENVIRONMENT	CARPET - INTERIOR (WITH COLOUR MATS)	DOOR APERTURE FURFLEX (DOOR WELT)	BOOT CARPET
OATMEAL OATMEAL CLOTH	OATMEAL	OATMEAL	ANTELOPE	OATMEAL	MINK OATMEAL BINDING	BLACK	DARK GREY
COFFEE NEW COFFEE CLOTH	COFFEE	BARLEY	COFFEE	OATMEAL COFFEE	COFFEE COFFEE BINDING	BLACK	DARK GREY
CREAM	CREAM	BARLEY	COFFEE	OATMEAL COFFEE	COFFEE CREAM BINDING	BLACK	DARK GREY
NIMBUS GREY NIMBUS GREY CLOTH	NIMBUS GREY	NIMBUS GREY	SLATE	NIMBUS GREY	SHADOW GREY NIMBUS GREY BINDING	BLACK	DARK GREY
WARM CHARCOAL	WARM CHARCOAL	WARM CHARCOAL	WARM CHARCOAL	NIMBUS GREY	FLINT GREY WARM CHARCOAL BINDING	BLACK	DARK GREY
PARCHMENT	PARCHMENT	PARCHMENT	SAGE	OATMEAL	SAGE PARCHMENT BINDING	BLACK	DARK GREY
REGATTA BLUE REGATTA BLUE CLOTH	REGATTA BLUE	WARM CHARCOAL	WARM CHARCOAL	NIMBUS GREY	MIDNIGHT BLUE REGATTA BLUE BINDING	BLACK	DARK GREY

All Convertibles with Coffee facias to take Coffee upper environment (A post, header, sunvisors)

**HOW TO USE THE JAGUAR PARTS MICROFICHE**

A knowledge of the construction and content of the microfiche will help you to identify and locate the right part number for the application that you require.

**HOW THE MICROFICHE IS ORGANISED:**

- 1) A parts microfiche set is produced for each Jaguar model. A full list of publications is issued with each new microfiche set. A Jaguar microfiche consists of a number of plastic "fiche", contained in a paper wallet with an Index card.
- 2) Each plastic "fiche" is headed with the **model name**, the **part number** of the microfiche, the **month/year of issue**. Each "fiche" is numbered together with the total number of "fiche" in the microfiche set.
- 3) The Index card shows the microfiche **MASTER INDEX**. This will enable fast identification of the correct "fiche" page and row on which each Group commences. The Master Index is listed in Microfiche order on one side of the card and in alphabetical order on the reverse.
- 4) Each "fiche" contains up to 252 pages of information. (18 columns x 14 rows). Columns are numbered 1 to 18 and rows are identified alphabetically. Row A on each "fiche" is always the **Introduction Section**.

JAGUAR XK8  
MICROFICHE GROUP INDEX - ALPHABETICAL ORDER

GROUP INDEX TITLE	SHEET	GROUP INDEX TITLE	SHEET
ACCESSORIES - CONSUMABLES - INDEX	3F	EXTERIOR FITTINGS AND SUNROOF	2N
AIR AND FUEL DELIVERY SYSTEMS	1E	IN CAR ENTERTAINMENT	2I
AIR CONDITIONING - HEATING - VENTILATION	1N	INFORMATION SYSTEMS AND CONTROLS	2D
BATTERY - STARTER MOTOR - ALTERNATOR	2E	INTERIOR TRIM AND LININGS	2L
BODY CLOSURES AND SEALING	3C	INTRODUCTION	1B
BODY METAL PANELS AND SEALING	3E	LIGHTING - INTERIOR/EXTERIOR	2G
BRAKING SYSTEM	1M	LOCKING - SECURITY SYSTEMS - HORNS	2H
ELECTRICAL DISTRIBUTION SYSTEM	2C	OCCUPANT RESTRAINTS	2K
ENGINE	1D	SEATING	2I
ENGINE COOLING SYSTEM	1H	STEERING AND SUSPENSION	1K
ENGINE MANAGEMENT/EMISSION SYSTEMS	1F	TRANSMISSION AND DRIVELINE	1J
EXHAUST SYSTEM AND COMPONENTS	1I	WIPER AND WASHER SYSTEMS	1O

DECEMBER 1996      JAGUAR XK8  
JLM 20300 FD      JAGUAR

**Introduction Pages**

Master & Group Index	1	2	3	4	5	6	7	8	9	10	11	12	13	14	15	16	17	18
	A																	
	B																	
	C																	
	D																	
	E																	
	F																	
	G																	
	H																	
	I																	
	J																	
	K																	
	L																	
	M																	

HOW TO USE THE JAGUAR PARTS MICROFICHE

MICROFICHE CONTENT:

The microfiche has a **Master Index** which lists the **Introduction Section** and **23 main sections**. The Master Index is common to all microfiche. The first "fiche" page has:

- a) A **Title page**, describing the name of the model
- b) An **Introduction Section**, with an index of contents.
- c) A full **alphabetical listing** of all part number descriptions contained in the microfiche set with the page location.

**Note:** a) and b) are included at the start of each "fiche" page, whilst c) is on page 1 only.

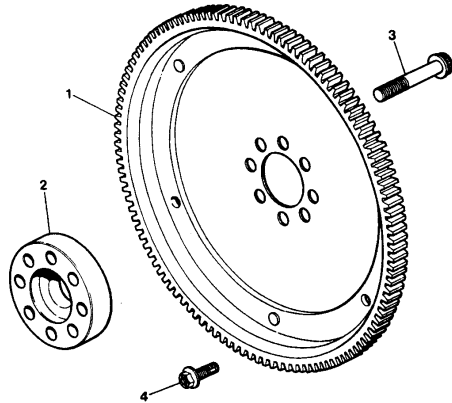
Part number information is arranged into the **23 Groups**. Each **Master Index** reference is divided into **Groups**, which are common to all microfiche.

Each **Group** contains a number of **Page Titles** relevant to the model specification.

A **Page Title** describes a vehicle feature or major component, under which the relative part numbers appear.

<b>The New XJ Series</b>		<b>F04</b>	<b>ENGINE</b>
		<b>Fiche 1</b>	<b>DRIVE PLATE AND FLYWHEEL COVERS</b>
			<b>DRIVE PLATE-3.2/4.0 LITRE</b>

Illus	Part Number	Description	Quantity	Change Point	Remarks
1	EBC 2788	Drive plate-assembly.....	1	(1).....	3.2 Litre .....4.0 Litre



An **Illustration** may be linked to each page number. A page title continuing over more than one page, will have the same illustration. Illustrations are annotated to represent the part numbers shown on text page. The drawing reference number is shown in the first column against the appropriate part number. Where there is more than one part number for alternative applications, the drawing number will appear against each reference to that part.

**HOW TO USE THE JAGUAR PARTS MICROFICHE**

A part has 7 main elements: A **part number**, A **description**, a **quantity per application**, a **qualifying description**, an **illustration**, an **application** and a **change point** (optional).

**PART NUMBER:**

A part number may have:

- a **prefix** (optional, alpha and/or numeric).
- a **main body** (up to 6 numeric or 5 numeric + 1 alpha or 4 numeric + 2 alpha).
- a **suffix**.

There is **NO** meaning attached to the prefix or main body of the part number. The suffix can denote size, grade, colour etc.

**QUALIFYING DESCRIPTION:**

The **qualifying description** describes the colour, location, material, size etc. of a part. A part can only have one qualifying description relating to a "fitment" definition. For example, a Bolt cannot be described as "manifold to block" in one application and "mounting to body" in another. The part description and qualifying description are tied to the part in all model applications.

Illus	Part Number	Description	Quantity	Change Point	Remarks
1	EBC 2788	Drive plate-assembly.....	1	(1).....	3.2 Litre .....4.0 Litre

**PART DESCRIPTION:**

The **part description** is derived from the standard noun which describes the component.

**PART APPLICATION:**

The **part applications**, or "**attributes**", appear in the "Remarks" column on the microfiche page. **Attributes** identify any market applicability and/or special conditions and/or exemptions. Attributes also contain information relative to the VIN prefix which is appropriate to the Page Title. A full list of VIN prefix attributes are shown in the Introduction Section under "Vehicle Identification Numbering System". Applications from the same "family" will appear on different text lines with the part number/description/quantity hidden. The change point will be shown on the first line only and will be the same for both applications.

**CHANGE POINT:**

Where appropriate, a **change point** will identify the limits of use of a component using a VIN number, Engine number, Gearbox or Body number. All **change points** are represented as "footnotes" on the microfiche page, with the footnote number shown in the "Change Point" column.

**HOW TO USE THE JAGUAR PARTS MICROFICHE**

**PAGE TITLES:**

An **index page** is located on the first column of every microfiche row and contains information relative to that section of the microfiche. The index page shows the **Master Index**, the appropriate **Group index** (in alphabetical order), and the **Page Titles** appropriate to that Group, in alphabetical order.

**Page Titles** are specific to each Model, although common terminology will be used across all microfiche. A Page Title will describe the major component and a key attribute or commencing VIN number. Similar Page Titles will be consecutive.  
(e.g.: Engine assemblies for 4.0 Litre and 6.0 Litre will be on adjacent pages).

XJ6 & XJ12 (From (V)667829 onwards)		L01 Fiche 3	LOCKING/SECURITY SYSTEMS/HORNS
MASTER INDEX	GROUP INDEX	PAGE TITLES	
ENGINE..... 1 E			
ENGINE MANAGEMENT/EMISSION SYSTEMS..... 1 J	CENTRAL LOCKING SYSTEM..... 0 00	HIGH TONE HORN-ASSEMBLY..... 1. L 06	
AIR AND FUEL DELIVERY SYSTEMS..... 1 M	ELECTRONIC CONTROL MODULES..... 3. L 07	HORN AND MOUNTING-KLAXON..... 3. L 06	
ENGINE COOLING SYSTEM..... 2 C	HORNS..... 3. L 06	INFRA RED LOCKING SYSTEM KIT..... 1. L 07	
EXHAUST SYSTEM AND COMPONENTS..... 2 E	IMMOBILISER..... 0 00	INFRA RED LOCKING SYSTEM..... 3. L 05	
TRANSMISSION AND DRIVE LINE..... 2 F	SECURITY ALARM..... 0 00	INTRUSION SENSOR-DOESKIN..... 2. L 04	
STEERING AND SUSPENSION..... 2 J	VEHICLE SECURITY SYSTEMS..... 3. L 02	LOW TONE HORN-ASSEMBLY..... 1. L 06	
BRAKING SYSTEM..... 2 N		M-MODULE RELAY..... 3. L 07	
AIR CONDITIONING/HEATING/VENTILATION..... 3 C		RELAY MODULE..... 3. L 07	
WIPER AND WASHER SYSTEMS..... 3 E		SECURITY CONTROL MODULE-318MHZ..... 1. L 04	
ELECTRICAL DISTRIBUTION SYSTEM..... 3 F		SECURITY SYSTEM..... 3. L 02	
INFORMATION SYSTEMS AND CONTROLS..... 3 G		SOLAR SENSOR AND ALARM SOUNDER..... 3. L 04	
BATTERY/STARTER MOTOR/ALTERNATOR..... 3 H			
IN CAR ENTERTAINMENT..... 3 I			
LIGHTING - EXTERIOR/INTERIOR..... 3 J			
LOCKING/SECURITY SYSTEMS/HORNS..... 3 L			
SEATING..... 3 M			
OCCUPANT RESTRAINTS..... 3 O			
INTERIOR TRIM AND LININGS..... 4 C			
EXTERIOR FITTINGS AND SUNROOF..... 4 G			
BODY CLOSURES AND SEALING..... 4 J			
BODY METAL PANELS AND SEALING..... 4 L			
ACCESSORIES/CONSUMABLES/INDEX..... 4 M			



**HOW TO USE THE JAGUAR PARTS MICROFICHE**

**QUANTITY:**

The number of parts required for each application is shown in the Quantity column. In some cases this may appear as A/R (as required), or **NLA** (no longer available from Jaguar Cars Ltd.) Where a part is "**NLA**", an alternative may be shown in the "Remarks" column. In some cases, alternative parts may be listed to replace a single component. These were previously classed as "**Refer Vetting**" (where a single substitution of one part for another is not technically or cosmetically possible).

The New XJ Series		F04 Fiche 1	ENGINE DRIVE PLATE AND FLYWHEEL COVERS	
		DRIVE PLATE-3.2/4.0 LITRE		
Illus	Part Number	Description	Quantity	Change Point
1	EBC 2788	Drive plate-assembly.....	1	(1).....3.2 Litre .....4.0 Litre

**FINDING A PART:**

Basic information required: **Model, VIN/Body number/Engine number/Gearbox number** as appropriate, and any other relative specifications.

Parts are normally located by comparing your requirement with an **illustration**. Finding the correct **illustration/page** can be approached in three ways:

- 1) If the **Part number** is already known - locate page a reference from the Alphabetical Index on the **last** "fiche".
- 2) Using the **Part Description** - locate a page reference from the Alphabetical Index on the **first** "fiche".
- 3) Determine the **Page Title** from the **Master/Group/Page Title Index** pages.

XJ6 & XJ12 (From (V)667829 onwards)				B Fiche			
BEC 18347	4 E 11	BEC 19683	4 D 07	BEC 21789	4 H 08	BEC 22505	*
BEC 18408	2 J 15	BEC 19684	4 D 07	BEC 21790	4 H 08	BEC 22506	*
BEC 18409	2 J 15	BEC 19685	4 D 07	BEC 21791	4 H 08	BEC 22507	*
BEC 18418	4 J 06	BEC 19646	2 J 13	BEC 21829	4 G 05	BEC 22508	*
BEC 18419	4 J 06	BEC 19647	2 J 13	BEC 21831	4 G 05	BEC 22509	*
BEC 18464	4 E 05	BEC 18998	4 F 01	BEC 21878	4 C	BEC 22510	*
BEC 18465	4 E 05	BEC 20074	3 M 09	BEC 21879	4	BEC 22511	*
BEC 18466	4 E 05	BEC 20075	3 M 09	BEC 21880	4	BEC 22512	*
BEC 18467	4 E 05	BEC 20076	3 M 09	BEC 21887	4	BEC 22513	*
BEC 18503	4 C 11	BEC 20077	3 M 09	BEC 21888	4	BEC 22514	*
BEC 18986	3 M 03	BEC 20209	2 J 13	BEC 2188	4	BEC 22515	*
BEC 18987	3 M 03	BEC 20225	LEG. 2 J 17	BEC 219	4	BEC 22516	*
BEC 18992	4 H 03	BEC 20229	3 O 03	BEC 2	4	BEC 22517	*
BEC 18992	4 H 03	BEC 20234	3 O 03	BEC 2	4	BEC 22518	*
BEC 19005	3 M 05	BEC 20235	3 O 03	BEC 2	4	BEC 22519	*
BEC 19007	3 M 13	BEC 20637	LEG. 2 J 17	BEC 2	4	BEC 22520	*
BEC 19008	3 M 13	BEC 20682	LEG. 3 O 02	BEC 2	4	BEC 22521	*
BEC 19044	4 H 03	BEC 20673	3 O 02	BEC 2	4	BEC 22522	*
BEC 19045	4 H 03	BEC 20781	3 O 02	BEC 2	4	BEC 22523	*
BEC 19046	4 H 03	BEC 20785	3 O 02	BEC 2	4	BEC 22524	*
BEC 19047	4 H 03	BEC 20787	3 O 02	BEC 2	4	BEC 22525	*
BEC 19048	4 H 03	BEC 20790	3 O 02	BEC 2	4	BEC 22526	*
BEC 19049	4 H 03	BEC 20791	3 O 02	BEC 2	4	BEC 22527	*
BEC 19050	4 H 03	BEC 20858	4 E 15	BEC 2	4	BEC 22528	*
BEC 19051	4 H 03	BEC 20859	4 E 15	BEC 2	4	BEC 22529	*
BEC 19056	4 H 02	BEC 20872	4 D 15	BEC 2	4	BEC 22530	*
BEC 19057	4 H 02	BEC 20873	4 D 15	BEC 2	4	BEC 22531	*
BEC 19126	4 J 15	BEC 20912	2 J 13	BEC 2	4	BEC 22532	*
BEC 19127	4 J 15	BEC 20913	2 J 13	BEC 2	4	BEC 22533	*
BEC 19128	4 J 15	BEC 20970	2 J 14	BEC 2	4	BEC 22534	*

XJ6 & XJ12 (From (V)667829 onwards)	
1st and 2nd gear switch.....	2 H 08
3 way connector.....	2 K 17
3 way connector.....	2 L 01
A-clutch plate pack.....	2 F 03
A-post and cantail finisher.....	4 H 02
A-post angle attachment.....	4 L 06
A-post closing panel.....	4 L 08
A-post harness shield.....	3 F 03
A-post panel.....	4 L 07
A-post reinforcement.....	4 L 08
Abutment bracket.....	1 M 08
Abutment plate.....	1 M 12
Accelerator cable.....	3 F 09
Accelerator cam.....	2 G 15
Accelerator foot pad fitting.....	1 M 11
Accelerator pedal.....	1 M 11
Accessory fusebox.....	3 F 12
Accessory fusebox bracket.....	3 F 12
Accessory fusebox kit.....	3 F 12
Accessory kit.....	3 C 06
Accumulator kit.....	2 N 16
Accumulator platen.....	2 H 03
Adjuster kit.....	2 N 15
Adaptor.....	1 I 03

XJ6 & XJ12 (From (V)667829 onwards)		I01 Fiche 3	IN CAR ENTERTAINMENT		
MASTER INDEX	GROUP INDEX	PAGE TITLES			
ENGINE.....	1 E				
ENGINE MANAGEMENT/EMISSION SYSTEMS.....	1 J	AMPLIFIER/LOUDSPEAKERS.....	3 106	COMPACT DISC AUTOCHANGER FITTING KIT.....	1 107
AIR AND FUEL DELIVERY SYSTEMS.....	1 M	COMPACT DISC AUTOCHANGER.....	3 105	COMPACT DISC PLAYER-LESS MAGAZINE.....	1 107
ENGINE COOLING SYSTEM.....	2 C	RADIO.....	3 102	COMPACT DISC PLAYER.....	3 105
EXHAUST SYSTEM AND COMPONENTS.....	2 E	RADIO ELECTRIC AERIAL.....	3 104	ELECTRIC AERIAL ASSEMBLY.....	1 106
TRANSMISSION AND DRIVELINE.....	2 F	ELECTRIC AERIAL.....	3 104	ELECTRIC AERIAL.....	3 104
STEERING AND SUSPENSION.....	2 J	LOUDSPEAKER DOOR.....	3 108	LOUDSPEAKER DOOR.....	3 108
BRAKING SYSTEM.....	2 N	RADIO REMOTE CONTROL.....	1 106	RADIO REMOTE CONTROL.....	1 106
AIR CONDITIONING/HEATING/VENTILATION.....	3 C	RADIO CASSETTE PLAYER.....	3 103	RADIO CASSETTE PLAYER.....	3 103
WIPER AND WASHER SYSTEMS.....	3 E	REMOTE IN CAR ENTERTAINMENT SYSTEM.....	3 103	REMOTE IN CAR ENTERTAINMENT SYSTEM.....	3 103
ELECTRICAL DISTRIBUTION SYSTEM.....	3 F				
INFORMATION SYSTEMS AND CONTROLS.....	3 G				
BATTERY/STARTER MOTOR/ALTERNATOR.....	3 H				
IN CAR ENTERTAINMENT.....	3 I				

IP1176