

Fuses

CHANGING A FUSE

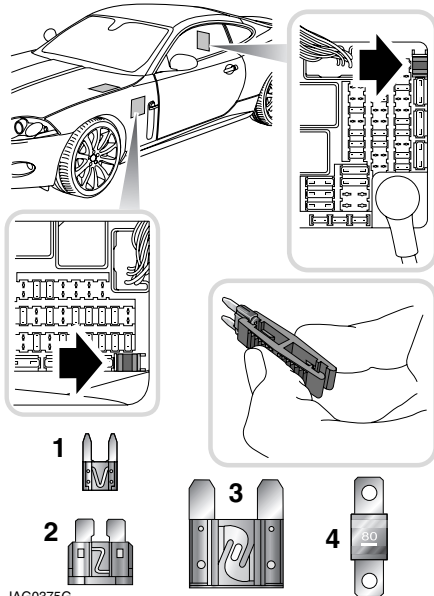


WARNING:

To prevent a possible fire or damage to the electrical system, fit Jaguar approved replacement fuses of the same rating and type or fuses of matching specification. Do not replace a blown fuse with a fuse of a higher amperage rating. Always rectify the cause of the failure before replacing a fuse. Seek qualified assistance.

Fuse failure is identified by an inoperative circuit.

A special tool for removing and replacing Mini and ATO-fuses is provided in the passenger and rear seat compartment fuse boxes, together with spare fuses.



JAG0375G

Four types of fuses are fitted in the fuse boxes:

1. Mini-type
2. ATO-type
3. Maxi-type
4. Midi-type.

If a spare fuse is used, renew it with a fuse of the same amperage rating.

Push the tool on to the suspect fuse and withdraw it.

If the wire in the fuse is broken, the fuse has blown.

Fit a new fuse using the tool.

Checking or renewing a blown fuse

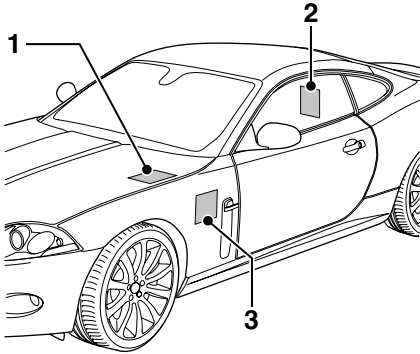
Fuse types **3** and **4** and relays should be replaced only by qualified assistance.

Fuses are colour coded according to the amperage and the rating is also marked on each fuse.

Fuses

FUSE BOX LOCATIONS

Caution: When a fuse box lid is removed, take care to protect the box from moisture, and refit the lid at the earliest opportunity.



JAG0376G

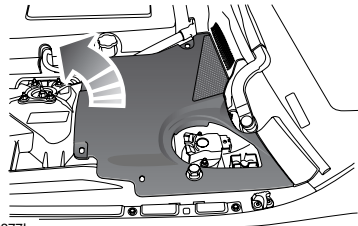
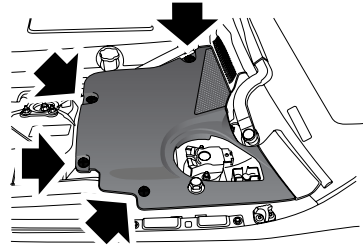
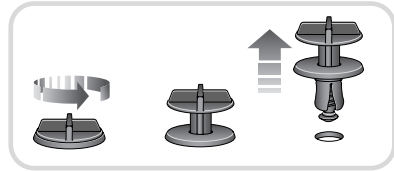
There are three separate fuse boxes fitted to the vehicle, each one containing fuses protecting a different group of circuits.

They are located in:

1. The engine compartment.
2. The rear seat compartment.
3. The passenger compartment.

Engine compartment fuse box

The fuse box is located in the engine compartment on the left-hand side underneath the engine compartment left-hand cover.

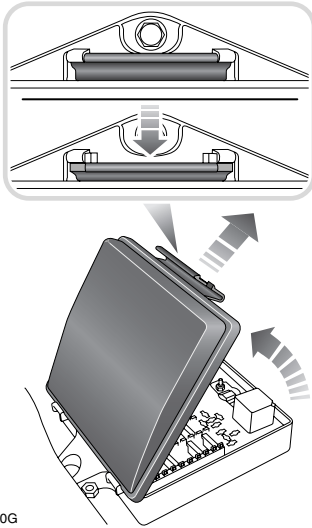


JAG0377L

1. Remove the engine compartment left-hand cover.

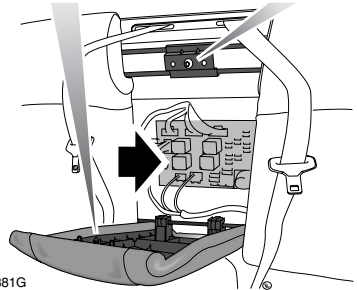
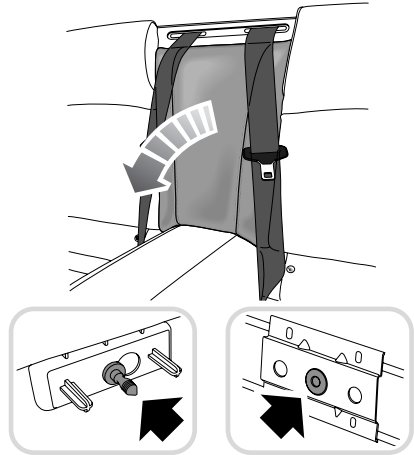
Fuses

Rear seat compartment fuse box



JAG0380G

2. Remove the fuse box lid by pressing the retaining lugs and lifting.
3. When refitting, press the fuse box lid in the area of the retaining lugs until the lid engages.



JAG0381G

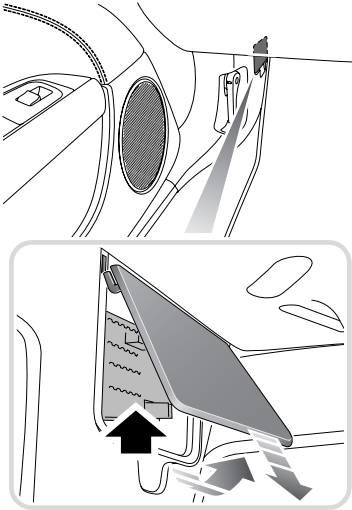
The fuse box is located behind the rear seat centre section.

To remove the rear seat centre section, grasp the sides of the section and pull sharply.

When refitting the rear seat centre section ensure that the securing and locating pegs are aligned with their respective holes before pushing the centre section fully home.

Fuses

Passenger compartment fuse box



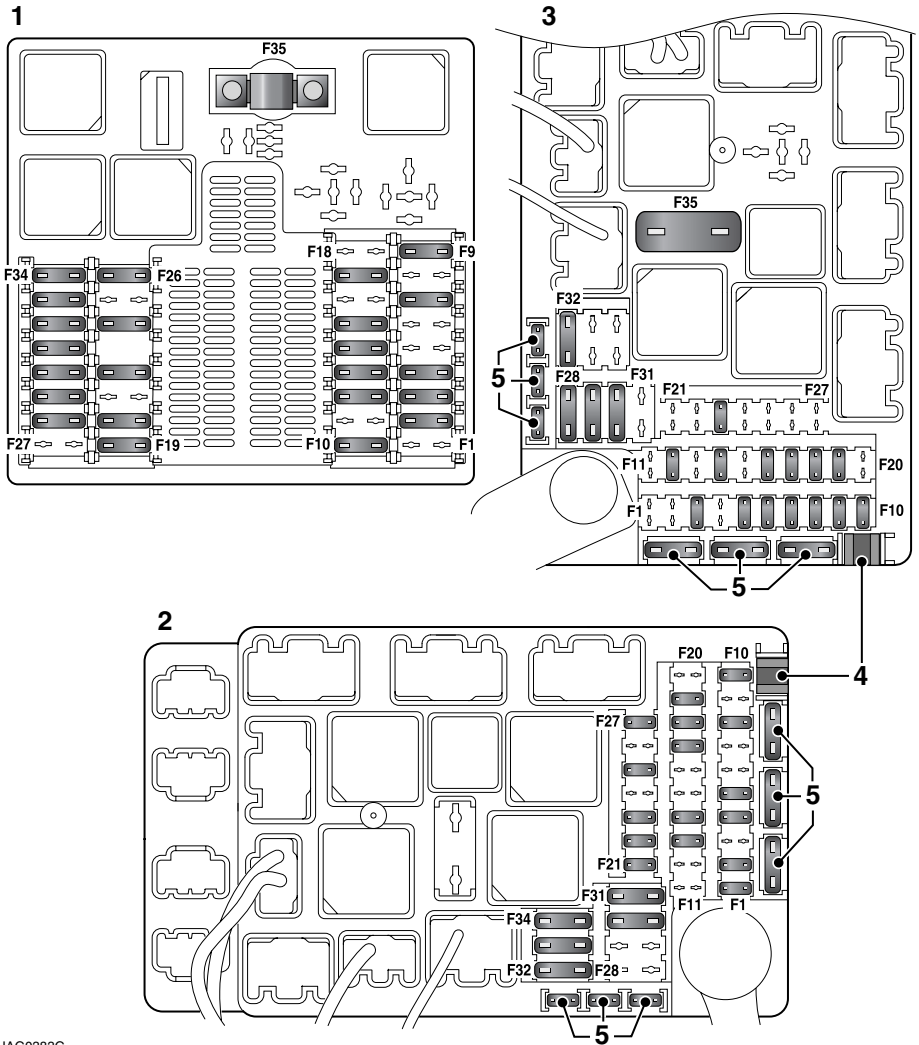
JAG0382G

The passenger compartment fuse box is located under the left-hand side trim panel in the footwell.

To access the fuse box remove left-hand side trim panel fuse box cover.

Fuses

Fuse and relay positions



JAG0383G

1. Engine compartment fuse box.
2. Rear seat compartment fuse box.
3. Passenger compartment fuse box.
4. Fuse removal tool.
5. Spare fuses.

Fuses

FUSE SPECIFICATION CHART

Engine compartment fuse box 1 - fuses

Fuse No	Rating (amps)	Fuse Colour	Circuit
F1			Not used.
F2	10A	Red	Throttle motor.
F3	5A	Tan	DSC ECM; EMS ECM.
F4	30A	Green	Powerwash pump.
F5			Not used.
F6			Not used.
F7	40A	Orange	Front left screen heater.
F8			Not used.
F9	15A	Blue	Cigar lighter heater element.
F10	15A	Blue	Horn.
F11			Not used.
F12	10A	Red	2 x variable valve timing actuator (A and B), EMS control module.
F13	10A	Red	Injectors.
F14	10A	Red	Exhaust gas recirculation valve, radiator fan controller, purge valve, mass air flow meter (N/A), diagnostic monitor tank leakage, second air Injection vacuum solenoid.
F15	10A	Red	ACM/FLS.
F16			Not used.
F17	15A	Blue	TCM.
F18			Not used.
F19	30A	Green	Starter
F20	40A	Orange	DSC pump.
F21			Not used.
F22	20A	Yellow	DSC valves.
F23			Not used.
F24	15A	Blue	Intercooler water pump.
F25			Not used.
F26	40A	Orange	Wiper motor.
F27			Not used.
F28	5A	Tan	Cluster (VAPS Power), headlight level/Adaptive front lighting ECM.
F29	15A	Blue	Active front lighting (LH).
F30	15A	Blue	Ignition coils plus 6.8 MF capacitor.

Fuses

Fuse No	Rating (amps)	Fuse Colour	Circuit
F31	15A	Blue	Active front lighting (RH).
F32	40A	Orange	Front right screen heater.
F33	30A	Green	UHEGO - A bank heaters.
F34	30A	Green	UHEGO - B bank heaters.
F35	80A		Radiator fan.

Rear seat compartment fuse box 2 - fuses

Fuse No	Rating (amps)	Fuse Colour	Circuit
F1	25A	Clear	Passenger door zone ECM.
F2	5A	Tan	Tire pressure monitoring system.
F3			Not used.
F4	10A	Red	Power rod aerial.
F5	5A	Tan	Alternator sense.
F6			Not used.
F7			Not used.
F8	5A	Tan	Power roof logic.
F9			Not used.
F10	10A	Red	Accessory connector B+.
F11			Not used.
F12			Not used.
F13	25A	Clear	Driver's door zone ECM.
F14	10A	Red	Navigation power.
F15			Not used.
F16			Not used.
F17	10A	Red	Restraints control module.
F18	30A	Green	EPB.
F19	10A	Red	Active exhaust.
F20			Not used.
F21	15A	Blue	IHU, supply.
F22	5A	Tan	Phone power.
F23	30A	Green	Heated rear screen.
F24			Not used.
F25	10A	Red	Sirius Satellite power.
F26			Not used.
F27	10A	Red	Impact sensor.
F28			Not used.

Fuses

Fuse No	Rating (amps)	Fuse Colour	Circuit
F29			Not used.
F30	40A	Orange	Power roof rear quarters.
F31	30A	Green	Power Amp supply.
F32	40A	Orange	Power roof supply.
F33	30A	Green	Fuel pump module.
F34	40A	Orange	Blower motor.

Passenger compartment fuse box 3 - fuses

Fuse No	Rating (amps)	Fuse Colour	Circuit
F1			Not used.
F2			Not used.
F3	20A	Yellow	Keyless vehicle module.
F4			Not used.
F5	5A	Tan	Instrument cluster logic.
F6	15A	Blue	Air conditioning.
F7	5A	Tan	Passive Anti-Theft System (PATS) transmitter/receiver.
F8	5A	Tan	Footbrake switch.
F9	5A	Tan	Driver's mirror switch, passenger seat memory switch, passenger seat module.
F10	15A	Blue	Instrument cluster (column adjust).
F11			Not used.
F12	10A	Red	Interior lamp switched power comprises - map, courtesy, footwell, sunvisor, glovebox. In car aspirator.
F13			Not used.
F14	15A	Blue	Adaptive dynamic ride control power.
F15			Not used.
F16	15A	Blue	Front power point, premium audio amplifier, cooling fan.
F17	5A	Tan	OBD II.
F18	5A	Tan	Dual sun load, driver's seat module, driver's seat memory.
F19	5A	Tan	RF receiver.
F20			Not used.
F21			Not used.
F22			Not used.

Fuses

Fuse No	Rating (amps)	Fuse Colour	Circuit
F23	10A	Red	Cabin accessory power.
F24			Not used.
F25			Not used.
F26			Not used.
F27			Not used.
F28	30A	Green	Passenger seat motor (2).
F29	30A	Green	Passenger seat motor (1).
F30	30A	Green	Driver's seat module (1).
F31			Not used.
F32	30A	Green	Driver's seat module (2).
F33			Not used.
F34			Not used.
F35	40A	Orange	SAI Maxi fuse