

Connector: **FL072**

CONNECTOR HOUSING NOT SERVICEABLE

Description: **Engine control-module (ECM)**

Location: **Rear LH side of engine compartment**

Qualifier:

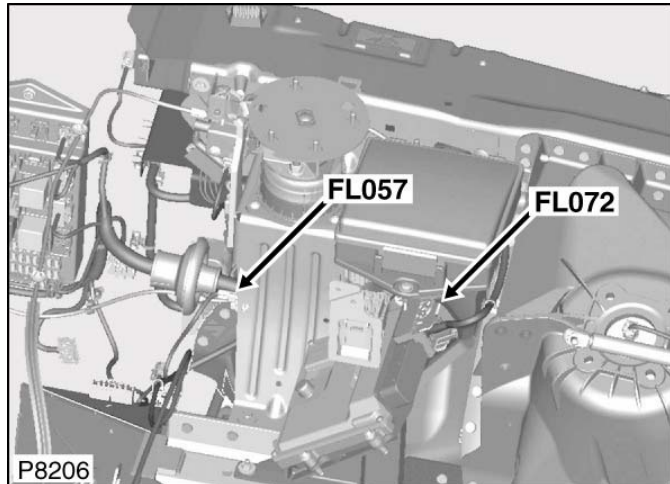


Part No.: **YPC910860**

Colour: **BLACK**

Cavities: **58WY**

Harness:



Wire Chart

CAV	CSA	COL	CCT	DESTN
1	0.5	B	ALL	G07AR
2	2.5	B	ALL	G07AL
3	2.5	B	ALL	G07AL
4	0.5	WG	ALL	S/JOINT FLS26
5	2.5	B	ALL	G07AR
6	0.5	WG	ALL	FL039
7	0.5	BG	ALL	FL002
8	0.5	BG	ALL	S/JOINT FLS33
11	0.5	RW	ALL	FL043
12	0.5	U	ALL	FL104
13	0.5	BG	SAIMAP	FL002
14	0.5	GW	ALL	FL104
15	0.5	GR	ALL	S/JOINT FLS23
16	0.5	BW	ALL	FL038
17	0.5	NW	ALL	FL050
19	0.5	G	ALL	FL002
20	0.5	WU	ALL	FL070
21	0.5	UR	ALL	FL070
23	0.5	WR	(DMTL)	FL002
24	0.5	Y	ALL	FL002
28	0.5	Y	ALL	IP054
29	0.5	OY	ALL	FL101
30	0.5	WB	ALL	S/JOINT FLS20
32	0.5	Y	ALL	FL002
33	0.5	WG	(DMTL)	FL002
35	0.5	BK	ALL	FL104
38	0.5	R	ALL	FL002
40	0.5	U	ALL	FL002
41	0.5	GO	ALL	FL070
43	0.5	GR	ALL	IP054
45	0.5	G	ALL	EN041
48	0.5	BR	(DMTL)	FL002
49	0.5	WU	ALL	EC021
50	0.5	GR	SAI	FL049
51	0.5	GO	ALL	FL039
54	0.5	R	ALL	S/JOINT FLS25

55	0.5	B	SAI	EN041
58	0.5	Y	ALL	EN041