

DDW requires the use of causal part numbers. Labor only claims must show the causal part number with a quantity of zero.

REPAIR PROCEDURE:

REMOVE A/C DRAIN TUBE

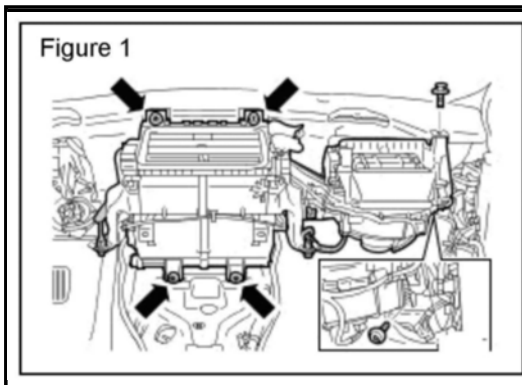
NOTE:

Global Technical Reference (GTR) lookup sequence is as follows: GTR Home > NAS > X150 - XK > Service Information > Model Year > Workshop Manual

1. Refer to Workshop Manual (GTR) Section 501-12, Instrument Panel and Heating, and remove the instrument panel.

CAUTION:

Care should be taken to ensure no further damage is caused to the vehicle interior. When removing a Heating Ventilation Air Conditioning (HVAC) unit which has shown signs of leaking from the **blower motor**, approximately one (1) liter of water will remain in the unit which will drain out when the seal to the bulkhead is broken.

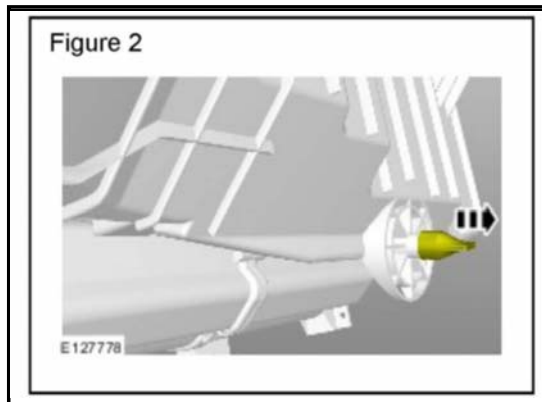


Zoom Sized for Print

2. Release the heater and evaporator core housing for access to the drain tube (Figure 1):

- ^Move the carpet for access
- ^Release both footwell lamp holders.
- ^Disconnect the two electrical connectors.
- ^Remove the four nuts.
- ^Remove the bolt.

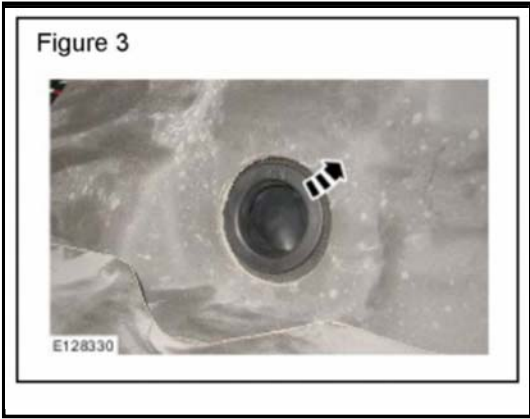
VIN range B00001 - B25390 only



Zoom Sized for Print

3. Remove and discard the drain tube from the rear of the heater unit. (Figure 2)

VIN range B25391 - B33100 only



Zoom Sized for Print

4. Remove and discard the drain tube from the bulkhead. (Figure 3)

NOTE:
The plastic peg is not visible; it can be felt through the drain hole from inside the vehicle.

VIN range B30500 - B33100 only



Zoom Sized for Print

5. Using suitable long-nose pliers, remove and discard the plastic peg contacting the drain tube. (Figure 4)

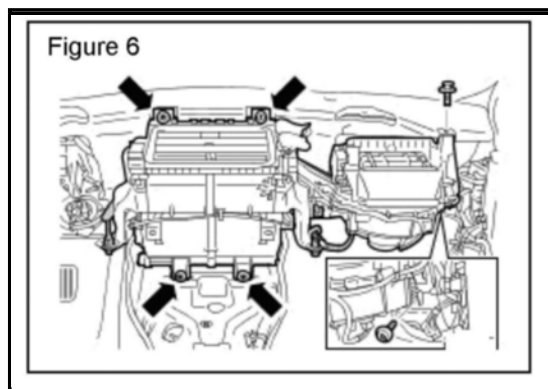
INSTALL NEW A/C DRAIN TUBE



Zoom Sized for Print

1. Install a new drain tube into the bulkhead. (Figure 5)
2. Insert a length of suitable hose into the drain tube.

3. Pour a small amount of water into the drain tube.
4. Verify the water exits below the vehicle.



Zoom Sized for Print

5. Install the heater and evaporator core housing (Figure 6):

^Tighten the bolt to 7 Nm +/- 1.1 Nm (5 lbf ft +/- 0.8 lbf ft).

^Tighten the four bolts to 7 Nm +/- 1.1 Nm (5 lbf ft +/- 0.8 lbf ft).

^Connect the two electrical connectors.

^Install the two footwell lamp holders.

^Install the carpet.

6. Refer to Workshop Manual (GTR) Section 501-12, Instrument Panel and Heating, and install the instrument panel.

[Account](#) | [Vehicle](#) | [Help](#) | [Contact](#) | [Exit](#)