

Fuses

CHANGING A FUSE

CAUTIONS

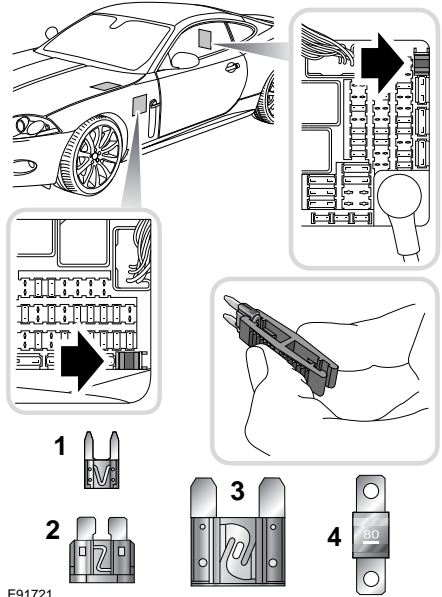
- ❗ Always turn off the ignition system and the affected electrical circuit, before replacing a fuse.
- ❗ Fit Jaguar approved replacement fuses of the same rating and type, or fuses of matching specification. Using an incorrect fuse may result in damage to the vehicle's electrical system, and can result in a fire.
- ❗ If the replacement fuse blows after installation, the system should be checked by your Jaguar Dealer.
- ❗ No attempt should be made to repair a fuse that has blown.

Note: Jaguar recommend that owners do not remove or replace relays. It is recommended that you seek qualified assistance in the event of a relay failure.

Always switch off the ignition, and the affected electrical circuit before replacing a fuse.

Fuse failure is identified by an inoperative circuit.

A special tool for removing and replacing Mini and ATO-fuses is provided in the passenger and rear seat compartment fuse boxes, together with spare fuses.



E91721

Four types of fuses are fitted in the fuse boxes:

1. Mini-type
2. ATO-type
3. Maxi-type
4. Midi-type.

If a spare fuse is used, renew it with a fuse of the same amperage rating.

Push the tool on to the suspect fuse and withdraw it.

If the wire in the fuse is broken, the fuse has blown.

Fit a new fuse using the tool.

Fuses


Checking or renewing a blown fuse

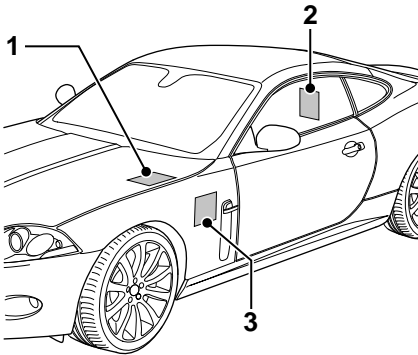
Fuse types **3** and **4** and relays, should only be replaced by qualified personnel.

Fuses are colour coded according to the amperage and the rating is also marked on each fuse.

FUSE BOX LOCATIONS

CAUTION

 When a fuse box lid is removed, take care to protect the box from moisture, and refit the lid at the earliest opportunity.



E91723

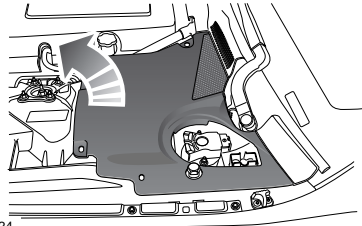
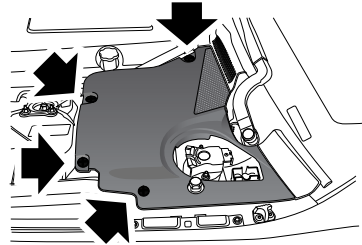
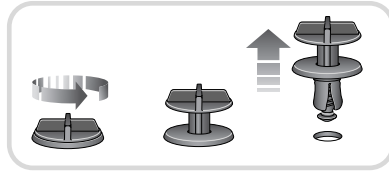
There are three separate fuse boxes fitted to the vehicle, each one containing fuses protecting a different group of circuits.

They are located in:

1. The engine compartment
2. The rear seat compartment
3. The passenger compartment.

Engine compartment fuse box

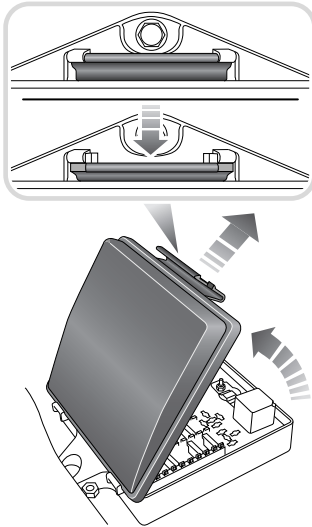
The fuse box is located in the engine compartment on the left-hand side underneath the engine compartment left-hand cover.



E91724

Remove the engine compartment left-hand cover.

Fuses

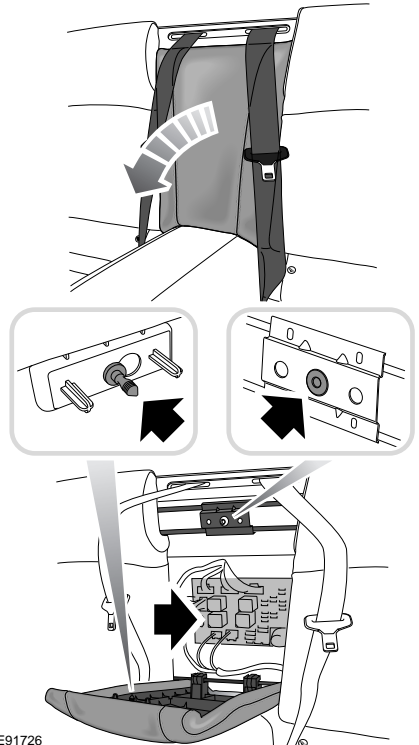


E91725

Remove the fuse box lid by pressing the retaining lugs and lifting.

When refitting, press the fuse box lid in the area of the retaining lugs until the lid engages.

Rear seat compartment fuse box



E91726

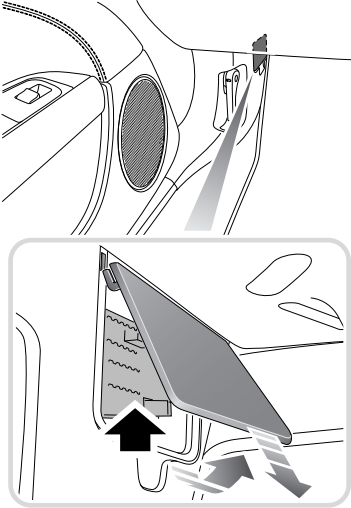
A fuse box is located behind the rear seat center section.

To remove the rear seat center section, grasp the sides of the section and pull sharply.

When refitting the rear seat center section ensure that the securing and locating pegs are aligned with their respective holes before pushing the center section fully home.

Fuses

Passenger compartment fuse box



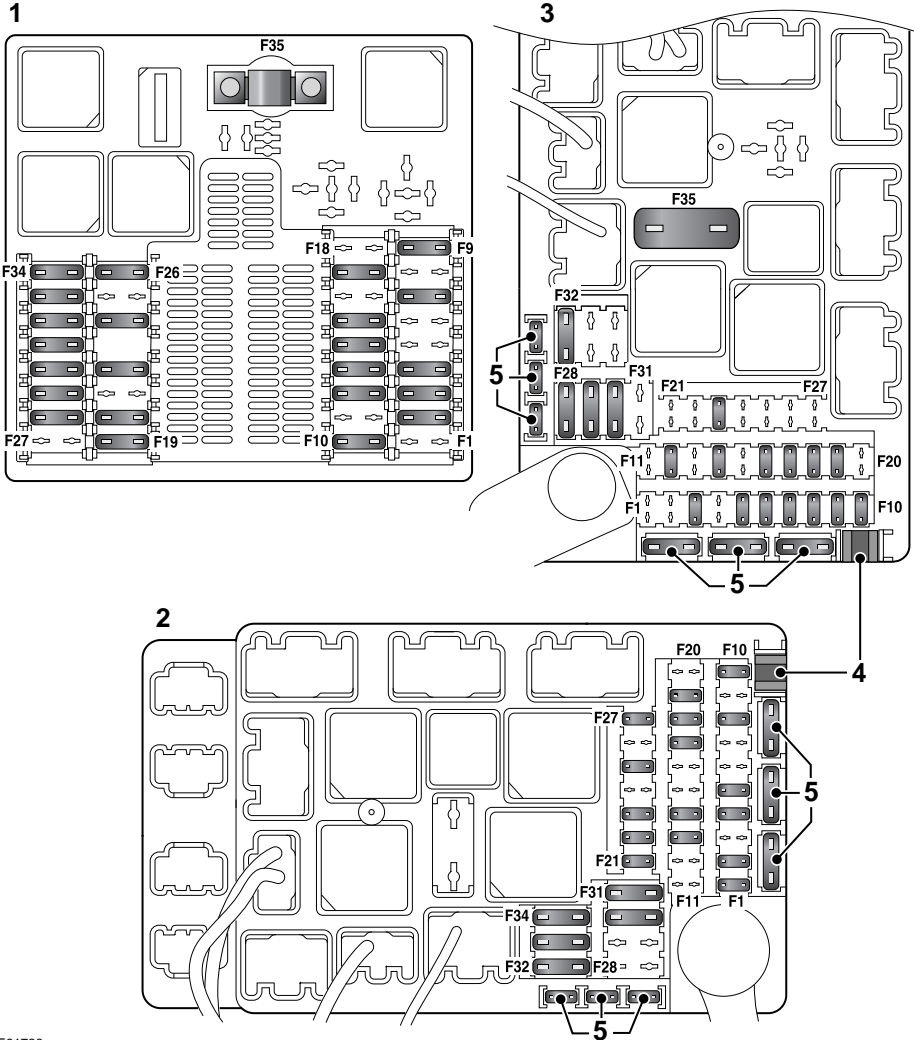
E91727

The passenger compartment fuse box is located under the left-hand side trim panel in the footwell.

To access the fuse box remove the left-hand side trim panel fuse box cover.

Fuses

Fuse and relay positions



E91728

1. Engine compartment fuse box.
2. Rear seat compartment fuse box.
3. Passenger compartment fuse box.
4. Fuse removal tool.
5. Spare fuses.

Fuses

FUSE SPECIFICATION CHART Engine compartment fuse box

Fuse no	Rating (amps)	Fuse colour	Circuit
F1	-	-	Not used.
F2	15A	Blue	Adaptive front lighting system - LH.
F3	5A	Tan	DSC ECU.
F4	30A	Green	Powerwash pump.
F5	-	-	Not used.
F6	-	-	Not used.
F7	-	-	Not used.
F8	-	-	Not used.
F9	15A	Blue	Cigar lighter heater element.
F10	15A	Blue	Horn.
F11	-	-	Not used.
F12	10A	Red	Headlamp levelling, Cluster VAPS.
F13	15A	Blue	Adaptive front lighting system - RH.
F14	15A	Blue	Ignition coils.
F15	10A	Red	ACC.
F16	-	-	Not used.
F17	15A	Blue	TCM, ECM memory.
F18	20A	Yellow	EMS main, EMS secondary control.
F19	30A	Green	Starter.
F20	40A	Orange	DSC pump.
F21	-	-	Not used.
F22	20A	Yellow	DSC valves.
F23	-	-	Not used.
F24	15A	Blue	Intercooler water pump.
F25	-	-	Not used.
F26	40A	Orange	Windshield wiper motor.
F27	-	-	Not used.
F28	15A	Blue	ECM, VVT diode.
F29	5A	Tan	Oil quality, MAFS, DHTL.
F30	10A	Red	Throttle motor.

Fuses

Fuse no	Rating (amps)	Fuse colour	Circuit
F31	10A	Red	Radiator fan, ECM cooling fan.
F32	40A	Orange	Front right screen heater.
F33	30A	Green	UHEGO - A bank heaters.
F34	30A	Green	UHEGO - B bank heaters.
F35	80A 100A	Black Black	Radiator fan - Normally aspirated engines. Radiator fan - Supercharged engines.

Rear seat compartment fuse box

Fuse No	Rating (amps)	Fuse colour	Circuit
F1	25A	Clear	Passenger door zone ECM.
F2	5A	Tan	Tire Pressure Monitoring System.
F3	-	-	Not used.
F4	-	-	Not used.
F5	5A	Tan	Alternator sense.
F6	-	-	Not used.
F7	-	-	Not used.
F8	5A	Tan	Power roof logic.
F9	-	-	Not used.
F10	10A	Red	Accessory connector B+.
F11	-	-	Not used.
F12	-	-	Not used.
F13	25A	Clear	Driver's door zone ECM.
F14	10A	Red	Navigation, power.
F15	-	-	Not used.
F16	-	-	Not used.
F17	10A	Red	Restraints control module.
F18	30A	Green	EPB.
F19	10A	Red	S/C active exhaust.
F20	-	-	Not used.
F21	15A	Blue	IHU, supply.
F22	5A	Tan	Phone, power.

Fuses

Fuse No	Rating (amps)	Fuse colour	Circuit
F23	30A	Green	Heated rear window.
F24	-	-	Not used.
F25	10A	Red	DVD, Satellite Radio, power.
F26	-	-	Not used.
F27	-	-	Not used.
F28	-	-	Not used.
F29	-	-	Not used.
F30	40A	Orange	Power roof rear quarters.
F31	30A	Green	Power Amp supply.
F32	40A	Orange	Power roof supply.
F33	30A	Green	Fuel pump module N/A or S/C.
F34	40A	Orange	Blower motor.

Passenger compartment fuse box

Fuse No	Rating (amps)	Fuse colour	Circuit
F1	20A	Yellow	Climate seats.
F2	10A	Red	ETS, Electric Parking Brake logic.
F3	20A	Yellow	Keyless vehicle module.
F4	20A	Yellow	Climate seats.
F5	5A	Tan	Instrument panel logic.
F6	15A	Blue	Air conditioning.
F7	5A	Tan	Passive Anti-Theft System (PATS) transmitter/receiver.
F8	5A	Tan	Foot brake switch.
F9	5A	Tan	Passenger seat memory switch, Passenger seat module, Sunload sensor.
F10	15A	Blue	Instrument panel (column adjust).
F11	-	-	Not used.
F12	10A	Red	Interior lamp switched power comprises - map, courtesy, footwell, sun visor, glove box. In-car aspirator.
F13	-	-	Not used.
F14	15A	Blue	Adaptive dynamic ride control power.

Fuses

Fuse No	Rating (amps)	Fuse colour	Circuit
F15	-	-	Not used.
F16	15A	Blue	Front power point, premium audio amplifier, cooling fan.
F17	5A	Tan	OBD II.
F18	5A	Tan	Driver's seat module, Driver's seat memory, Driver's window and mirror switchpack.
F19	5A	Tan	RF receiver.
F20	-	-	Not used.
F21	-	-	Not used.
F22	-	-	Not used.
F23	10A	Red	Cabin accessory power.
F24	-	-	Not used.
F25	-	-	Not used.
F26	-	-	Not used.
F27	-	-	Not used.
F28	30A	Green	Passenger seat motor (2).
F29	30A	Green	Passenger seat motor (1).
F30	30A	Green	Driver's seat module (1).
F31	-	-	Not used.
F32	30A	Green	Driver's seat module (2).
F33	-	-	Not used.
F34	-	-	Not used.
F35	-	-	Not used.