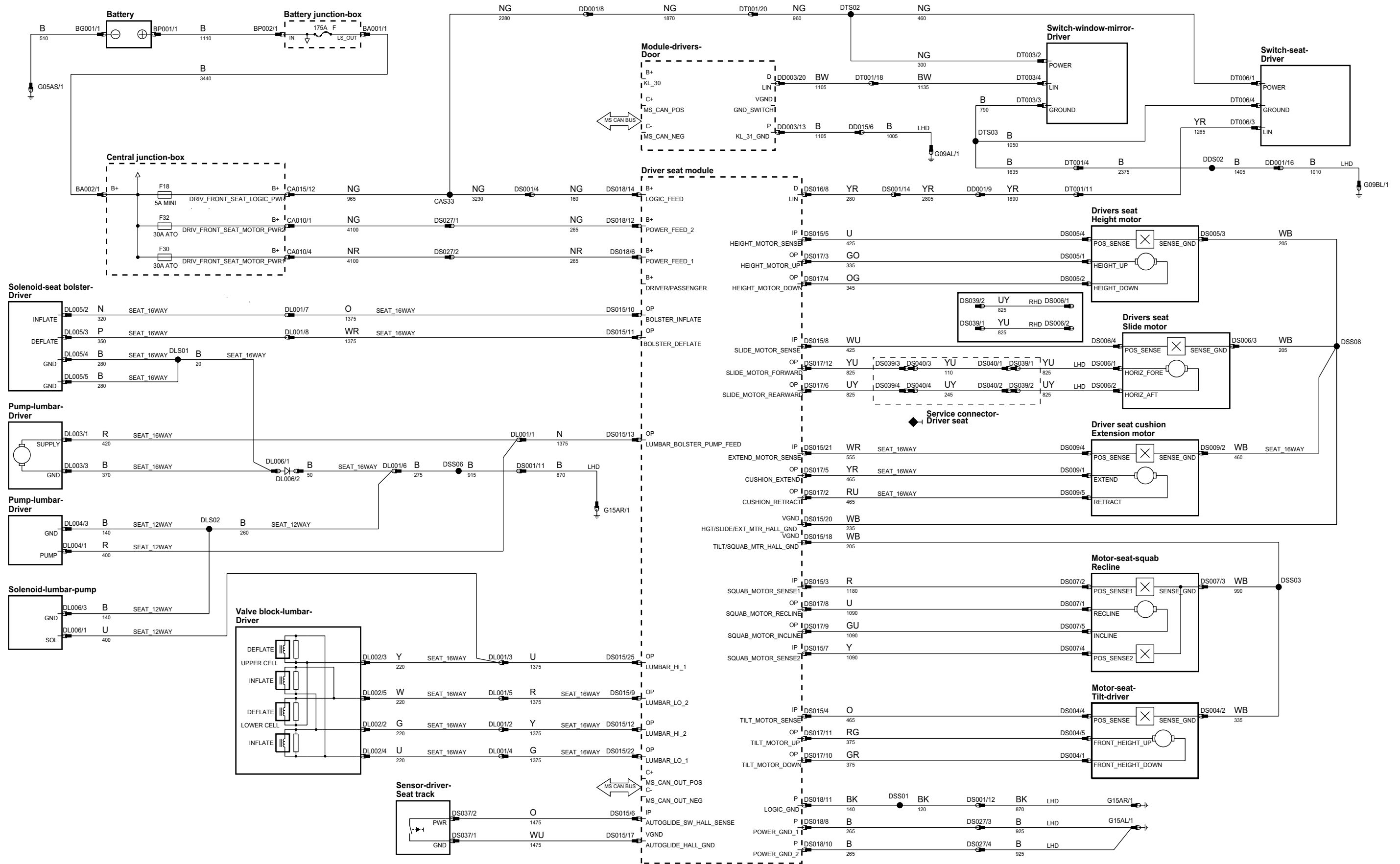


ph7w83-70346-b-ab



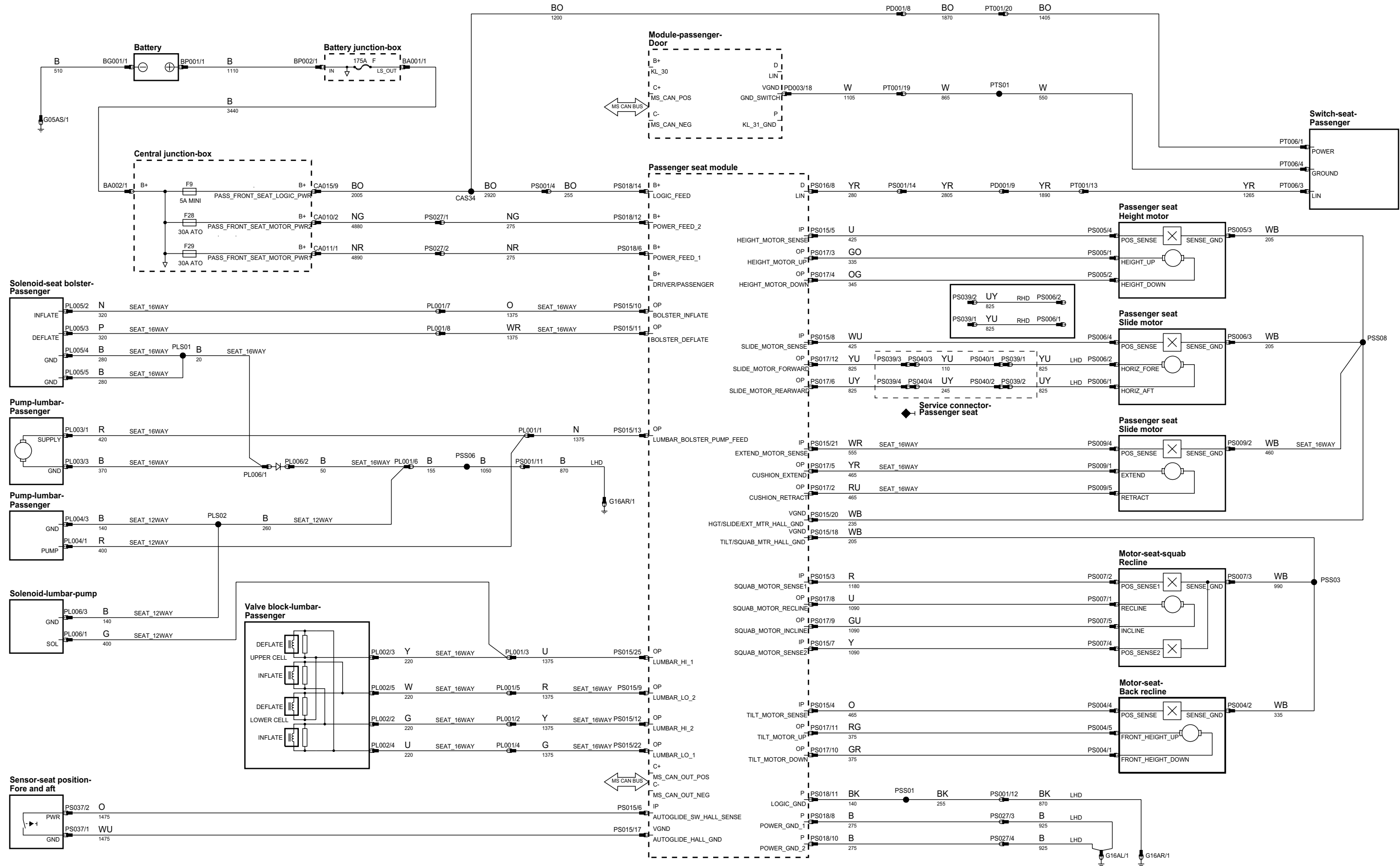
B- Battery Voltage  
 IP Input  
 VREF Sensor/Signal Supply V  
 P Power Ground  
 OP Output  
 GREF Sensor/Signal Ground

HS CAN BUS High speed controller area network bus  
 MS CAN BUS Medium speed controller area network bus

MOST BUS Media oriented systems transport bus  
 D Serial and Encoded Data

VARIANT: All  
 VIN RANGE: All  
 DATE OF ISSUE: September 2006

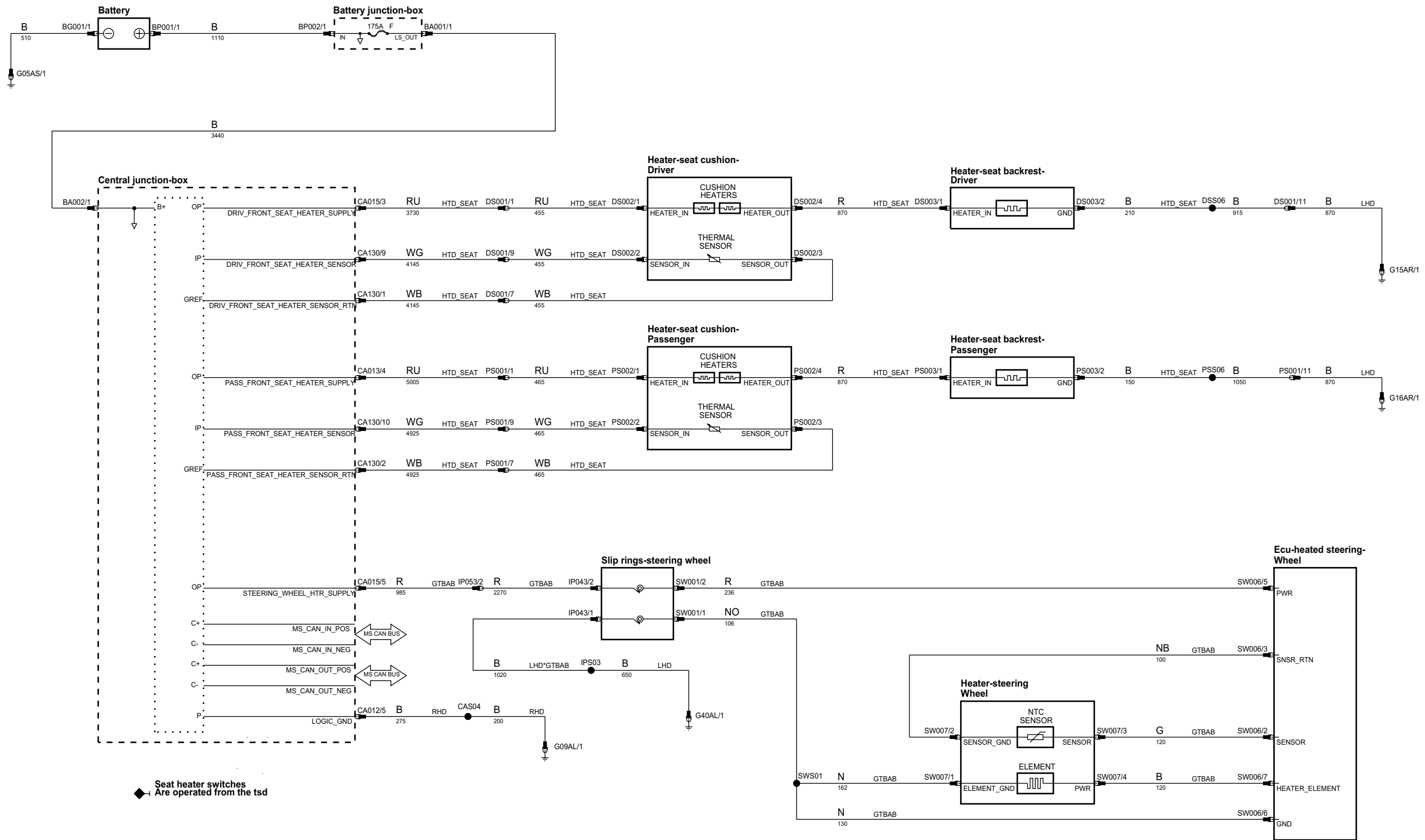
ph7w83-70346-c-ab



<b>B+</b> Battery Voltage	<b>IP</b> Input	<b>VREF</b> Sensor/Signal Supply V	<b>HS CAN BUS</b> High speed controller area network bus	<b>MOST BUS</b> Media oriented systems transport bus
<b>P</b> Power Ground	<b>OP</b> Output	<b>GRF</b> Sensor/Signal Ground	<b>MS CAN BUS</b> Medium speed controller area network bus	<b>D</b> Serial and Encoded Data

**VARIANT:** All  
**VIN RANGE:** All  
**DATE OF ISSUE:** September 2006

ph7w83-70347-b-ab



◆ Seat heater switches  
Are operated from the tsd

B- Battery Voltage	IP Input	VREF Sensor/Signal Supply V	HS CAN BUS High speed controller area network bus	MOST BUS Media oriented systems transport bus	VARIANT: All
P Power Ground	OP Output	GREF Sensor/Signal Ground	MS CAN BUS Medium speed controller area network bus	D Serial and Encoded Data	VIN RANGE: All
					DATE OF ISSUE: September 2006