

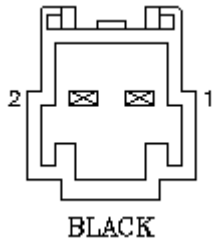
Connector: **DS003**

CONNECTOR HOUSING NOT SERVICEABLE

Description: **Heater- seat squab**

Location: **Behind driver seat backrest**

Qualifier:

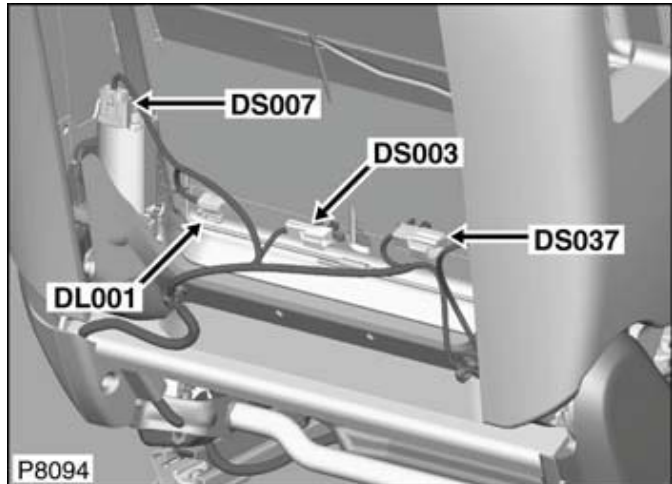


Part No.: **YPC908550**

Colour: **BLACK**

Cavities: **2WY**

Harness: **DRIVER SEAT RH HARNESS**



Wire Chart

CAV	CSA	COL	CCT	DESTN
1	1.5	R	(HTD_SEAT)	DS002
2	1.5	B	(HTD_SEAT)	CTAP