

Published: 11-May-2011

Convertible Top - Convertible Top Module

Removal and Installation

Removal

1. Remove the cover and disconnect the battery ground cable.
For additional information, refer to: Specifications (414-00, Specifications).
2. Make the SRS system safe.
For additional information, refer to: Supplemental Restraint System (SRS) Depowering and Repowering (501-20, General Procedures).
3. Remove the LH roll over protection unit.
For additional information, refer to: [Rollover Protection Unit](#) (501-20B Supplemental Restraint System, Removal and Installation).



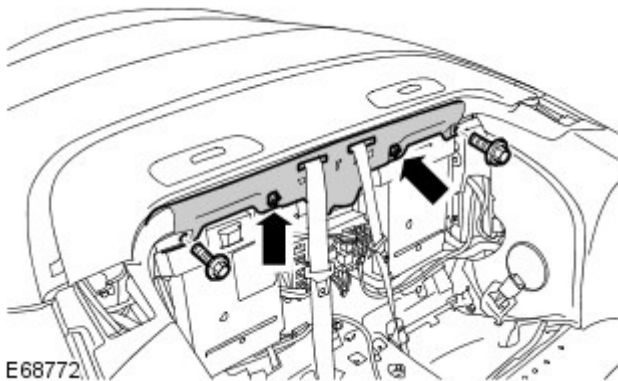
Published: 11-May-2011

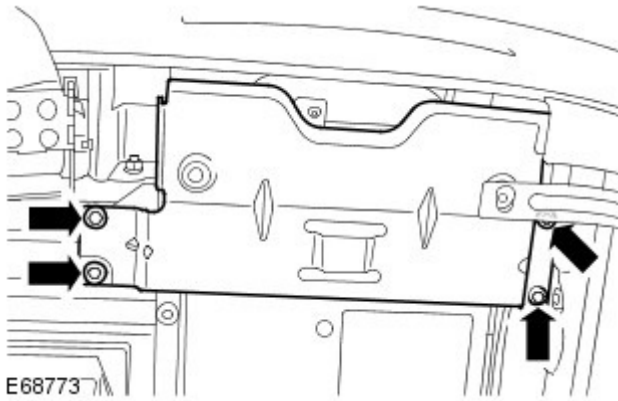
Supplemental Restraint System - Rollover Protection Unit

Removal and Installation

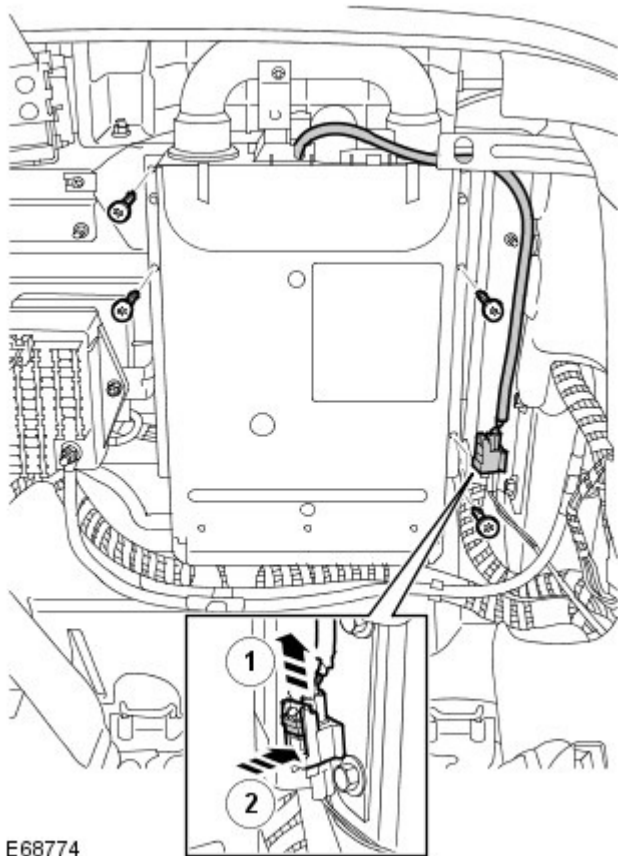
Removal

1. Remove the cover and disconnect the battery ground cable.
For additional information, refer to: Specifications (414-00, Specifications).
2. Make the SRS system safe.
For additional information, refer to: Supplemental Restraint System (SRS) Depowering and Repowering (501-20, General Procedures).
3. Remove the rear seat backrest.
For additional information, refer to: [Rear Seat Backrest](#) (501-10 Seating, Removal and Installation).
4. Release the rear seat backrest trim panel.
 - Remove the 2 clips.
 - Remove the 2 bolts.
 - Position the rear seat backrest trim panel aside.





5. Remove the rear seat backrest retaining bracket.
 - Remove the 2 nuts and 2 bolts.



6. Remove the roll over protection unit.
 - Disconnect the electrical connector.
 - Remove the 4 Torx bolts.

Installation

1. Install the roll over protection unit.
 - Tighten the Torx bolts to 25 Nm (18 lb.ft).
 - Connect the electrical connector.
2. Install the rear seat backrest retaining bracket.
 - Tighten the nuts and bolts to 10 Nm (7 lb.ft).
3. Install the rear seat backrest trim panel.
 - Tighten the bolts to 10 Nm (7 lb.ft).
 - Install the clips.

4. Install the rear seat backrest.

For additional information, refer to: [Rear Seat Backrest](#) (501-10 Seating, Removal and Installation).

5. Connect the battery ground cable and install the cover.

For additional information, refer to: Specifications (414-00, Specifications).

6. Connect WDS to the vehicle and configure a new module.



Published: 11-May-2011

Seating - Rear Seat Backrest

Removal and Installation

Removal

1. Remove the LH rear seat cushion.

For additional information, refer to: [Rear Seat Cushion](#) (501-10 Seating, Removal and Installation).

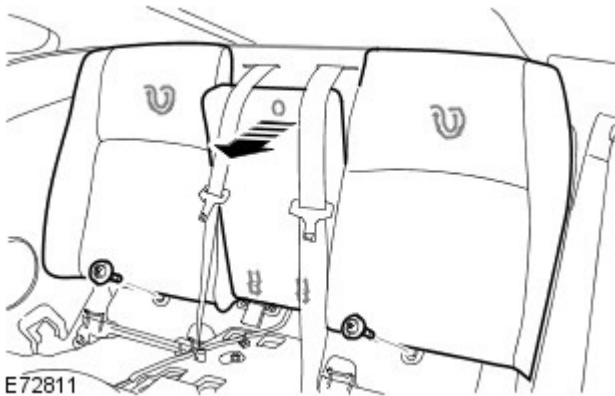
2. Repeat the above procedure for the RH seat cushion.

3. Remove the auxiliary junction box access cover.

- Release the clip.

4. Remove the rear seat backrest.

- Remove the 2 Torx bolts.
- Release from the 2 retainers.



Installation

1. Install the rear seat backrest.

- Secure in the retainers.
- Tighten the Torx bolt to 10 Nm (7 lb.ft).

2. Install the auxiliary junction box access cover.
 - Align the pegs and secure the clip.

3. Install the LH rear seat cushion.
For additional information, refer to: [Rear Seat Cushion](#) (501-10 Seating, Removal and Installation).
 - Secure with the clips.

4. Install the RH rear seat cushion.



Published: 11-May-2011

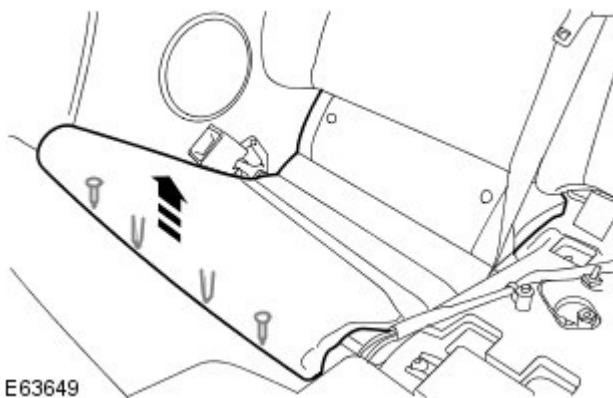
Seating - Rear Seat Cushion

Removal and Installation

Removal

1. Remove the rear seat armrest.
For additional information, refer to: [Rear Seat Armrest](#) (501-10 Seating, Removal and Installation).

2. Remove the rear seat cushion.
 - Release from the 2 clips.



Installation

1. Install the rear seat cushion.
 - Secure with the clips.
2. Install the rear seat armrest.
For additional information, refer to: [Rear Seat Armrest](#) (501-10 Seating, Removal and Installation).



Published: 11-May-2011

Seating - Rear Seat Armrest

Removal and Installation

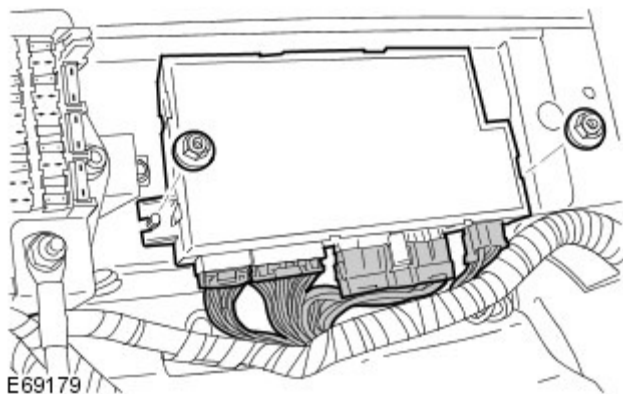
Removal

1. Remove the rear seat armrest.
 - Release from the 4 clips.



Installation

1. Install the rear seat armrest.
 - Secure with the clips.



4. Remove the convertible top module.
 - Disconnect the 4 electrical connectors.
 - Remove the 2 nuts.

Installation

1. Install the convertible top module.
 - Tighten the nuts to 10 Nm (7 lb.ft).

- Connect the electrical connectors.

2. Install the LH roll over protection unit.

For additional information, refer to: [Rollover Protection Unit](#) (501-20B Supplemental Restraint System, Removal and Installation).

3. Connect the battery ground cable and install the cover.

For additional information, refer to: Specifications (414-00, Specifications).