



TECHNICAL BULLETIN

No: JTB00199
Issue: 1
Date: 21 JAN 2011

SERVICE
✓

PARTS
✓

WARRANTY
✓

BODY SHOP
✓

SECTION: 501

Convertible Rear Quarter Trim Sliding Panel Broken / Inoperative

AFFECTED VEHICLE RANGE:

XK (X150) Convertible only

VIN: B00001 - Onwards
Model Year: 2007 - Onwards

CONDITION SUMMARY:

Situation: The rear quarter trim sliding panel may be broken / inoperative. This may be caused by an incorrect quarter casing operating gap, causing the sliding panel to 'stick' during convertible top operations.

Action: In the event of a customer concern of the above, refer to the Repair Procedure outlined below to replace the sliding panel.

PARTS:

C2P21071SEP - C2P21070SEP	Rear convertible quarter trim sliding panel - Left and right-hand	Qty: 1 each per side
C2P21071LEG - C2P21070LEG	Rear convertible quarter trim sliding panel - Left and right-hand	Qty: 1 each per side
C2P21071AMT - C2P21070AMT	Rear convertible quarter trim sliding panel - Left and right-hand	Qty: 1 each per side
C2P21071LJK - C2P21070LJK	Rear convertible quarter trim sliding panel - Left and right-hand	Qty: 1 each per side

TOOLS:

Refer to Workshop Manual for any required special tools

WARRANTY:



NOTE: Repair procedures are under constant review, and therefore times are subject to change; those quoted here must be taken as guidance only. Always refer to DDW to obtain the latest repair time.

DDW requires the use of causal part numbers. Labor only claims must show the causal part number with a quantity of zero.

DESCRIPTION	SRO	TIME (HOURS)	CONDITION CODE	CAUSAL PART
Rear convertible quarter trim sliding panel - renew	76.13.92	0.70	01	C2P17419SEP

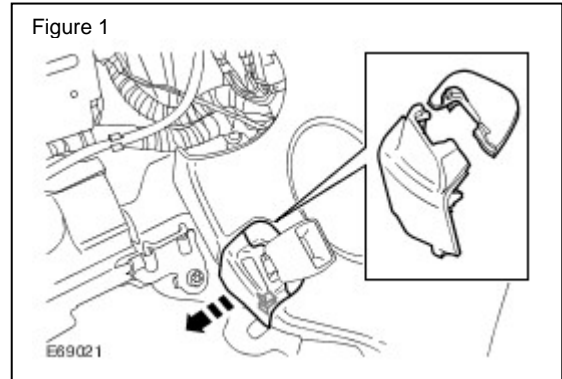
Normal warranty policies and procedures apply

NOTE: The information in Technical Bulletins is intended for use by trained, professional Technicians with the knowledge, tools, and equipment required to do the job properly and safely. It informs these Technicians of conditions that may occur on some vehicles, or provides information that could assist in proper vehicle service. The procedures should not be performed by 'do-it-yourselfers'. If you are not a Dealer, do not assume that a condition described affects your vehicle. Contact an authorized Jaguar service facility to determine whether this bulletin applies to a specific vehicle.

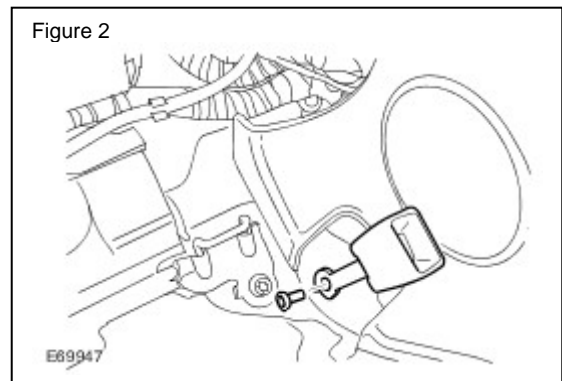
REPAIR PROCEDURE

REMOVE REAR CONVERTIBLE QUARTER TRIM SLIDING PANEL

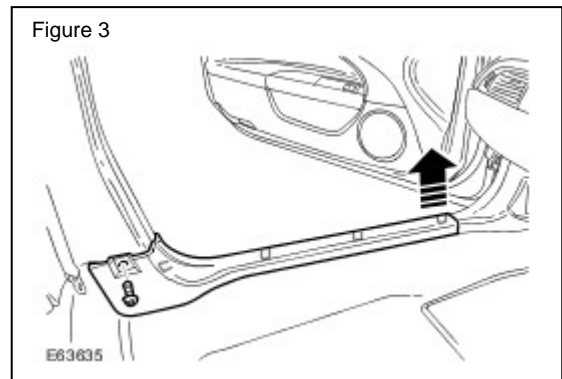
1. Refer to Workshop Manual, section 501-10: Seating, and remove the rear seat backrest. Remove the rear safety belt stalk trim panel. (Figure1)
 - Release from the clip.



3. Remove the rear safety belt stalk. (Figure 2)
 - Remove the Torx bolt.



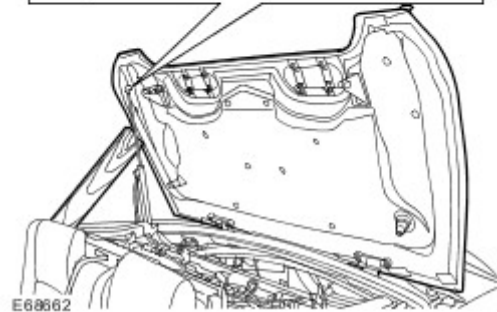
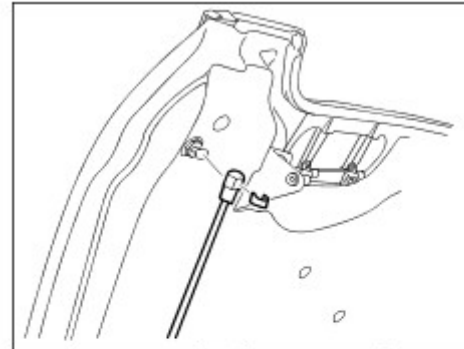
4. Remove the scuff plate trim panel. (Figure 3)
 - Remove the Torx bolt.
 - Release from the 4 clips.



NOTE: The convertible top compartment lid must be supported.

5. Open and support the convertible top compartment lid. (Figure 4)

Figure 4



E68662

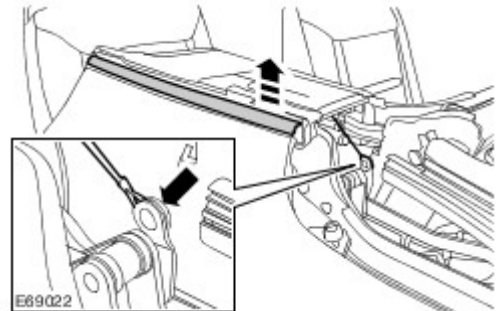
6. Release the convertible top hinge cover tension strap. (Figure 5)

- Release from the convertible top mechanism.

7. Carefully remove the outer waist seal. (Figure 5)

- Release each end of the seal from the body.

Figure 5

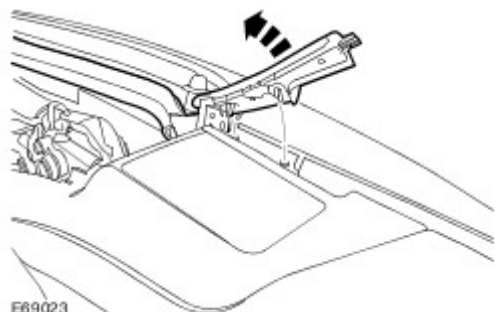


E69022

8. Release the convertible top lid seal. (Figure 6)

- Release from the two clips.

Figure 6

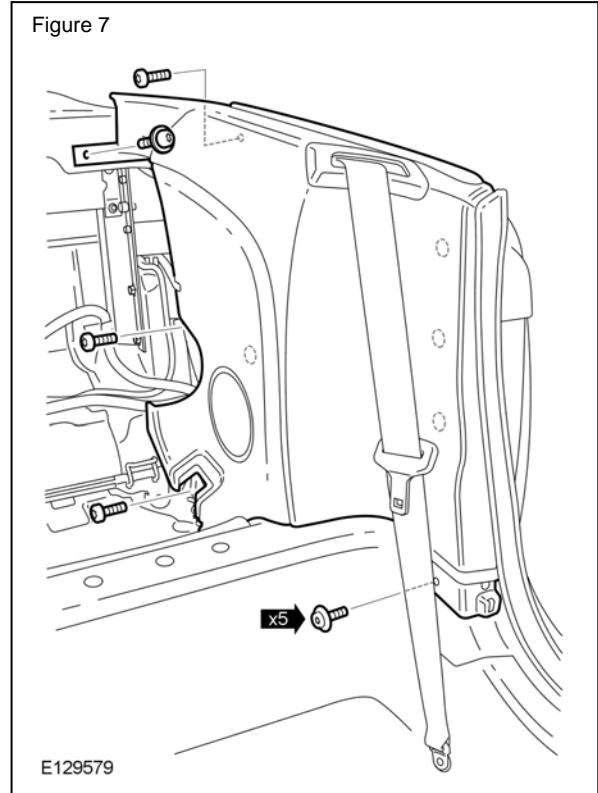


E69023

9. Release the rear quarter trim panel. (Figure 7)

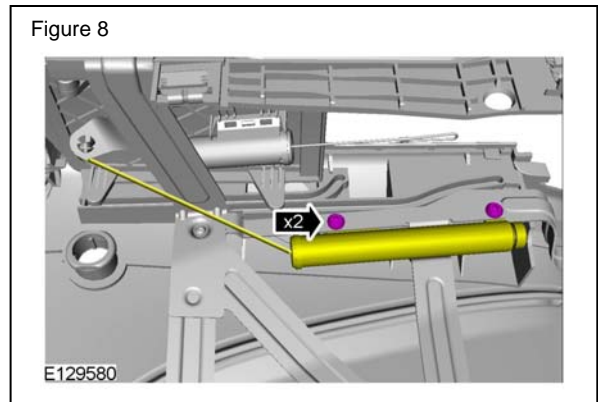
- Remove the five Torx bolts.
- Release from the four clips.

Figure 7

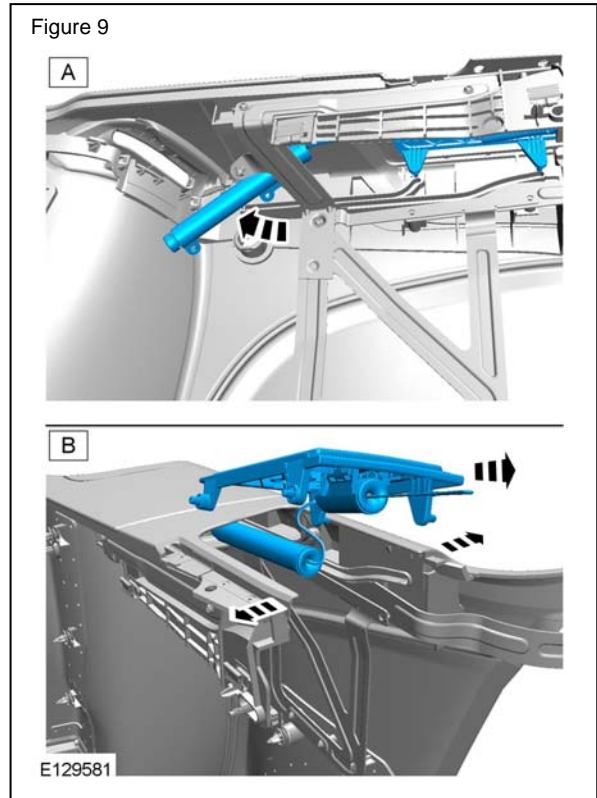


10. Release the air damper unit from the trim panel. (Figure 8)

Figure 8

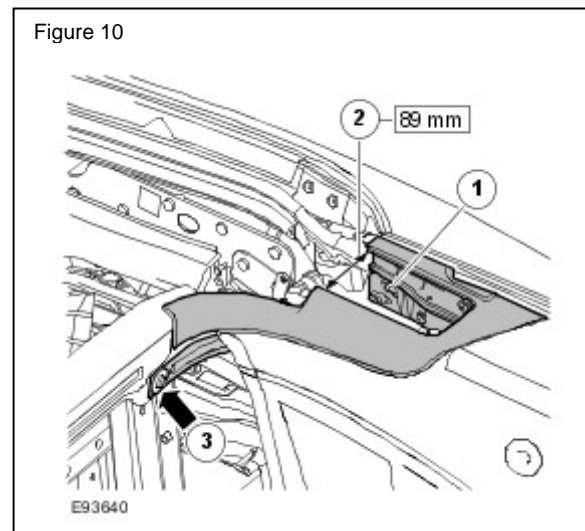


11. Remove the rear quarter trim sliding panel complete with both air damper units. (Figure 9)
 - Carefully release the rear quarter trim sliding panel.



INSTALL REAR CONVERTIBLE QUARTER TRIM SLIDING PANEL

1. Carefully install the rear quarter trim sliding panel. (Figure 10)
 - Position the air damper unit between the quarter trim panel and the support brace.
2. Install the air damper unit to the trim panel.
 - Tighten the Torx screws to **1.9 Nm (1.4 lbf ft)**.
3. Install the rear quarter trim panel.
 - Secure with the clips.
 - Check the illustrated trim dimension, before tightening the Torx bolts to **3 Nm (2.2 lbf ft)**.
4. Attach the convertible top lid seal.
 - Secure with the clips.
5. Install the outer waist seal.
 - Attach the outer waist seal to the body.
6. Attach the convertible top hinge cover tension strap.
 - Attach to the convertible top mechanism.
7. Close the convertible top.
 - Depress the switch.
8. Install the scuff plate trim panel.
 - Secure in the clips.
 - Tighten the Torx bolt to **10 Nm (7 lbf ft)**.





TECHNICAL BULLETIN

No: JTB00199

Issue: 1

9. Install the safety belt stalk.
 - Tighten the Torx bolt to **45 Nm (33 lbf ft)**.
10. Install the rear safety belt stalk trim panel.
 - Secure with the clip.
11. Refer to Workshop Manual, section 501-10: Seating, and install the rear seat backrest.