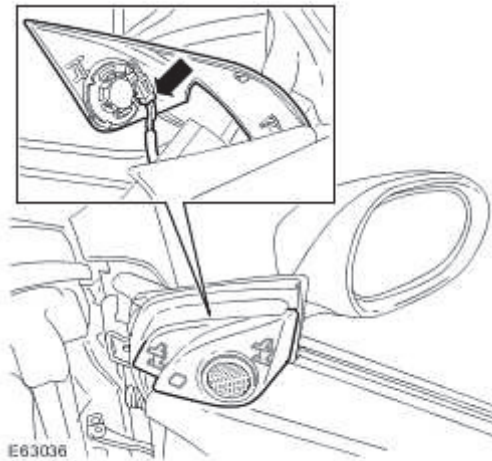


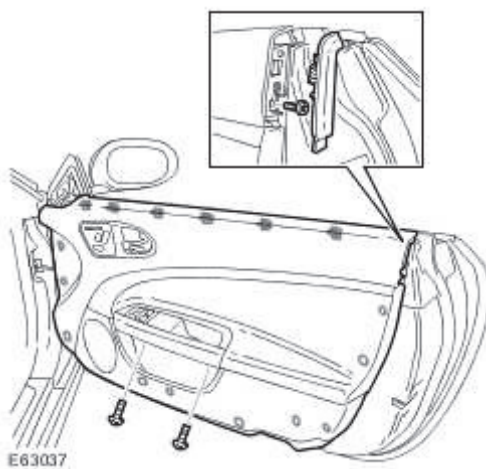
# Front Door Trim Panel (76.34.01)

## Removal

- 1 . Remove the exterior mirror trim panel.
  - ▶ Release the 3 clips.
  - ▶ Disconnect the electrical connector.



- 2 . Release the front door trim panel.
  - ▶ Remove the bolt cover.
  - ▶ Remove the 3 Torx bolts.
  - ▶ Release the 16 clips.

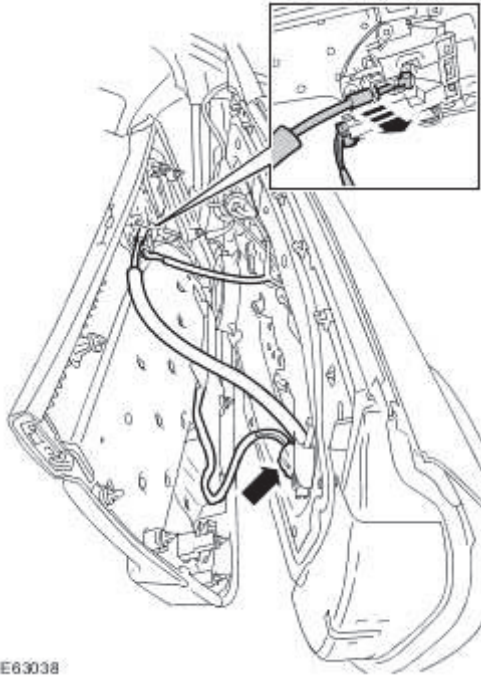


- 3 . **NOTE:**

Do not disassemble further if the component is removed for access only.

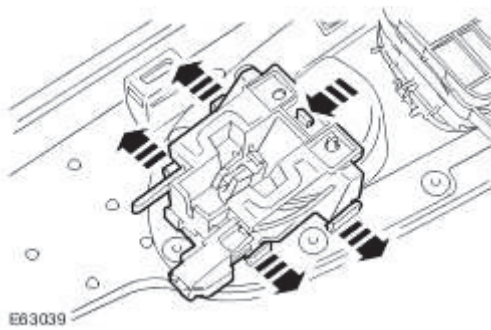
Remove the front door trim panel.

- ▶ Release the front door interior handle cable.
- ▶ Disconnect the 2 electrical connectors.



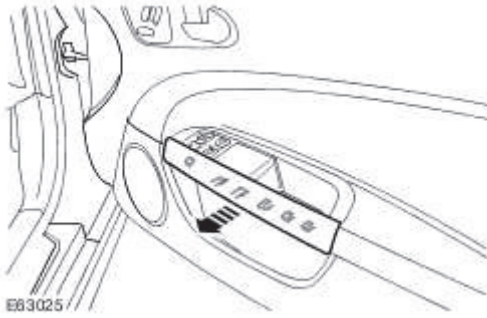
4 . Remove the front door latch remote control handle.

- ▶ Release from the 5 clips.



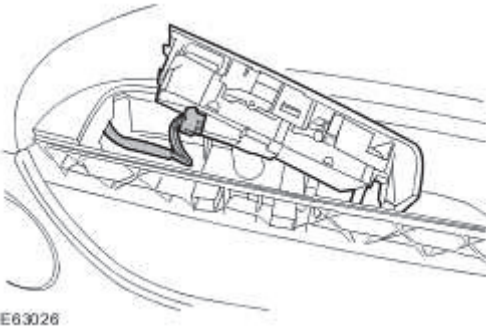
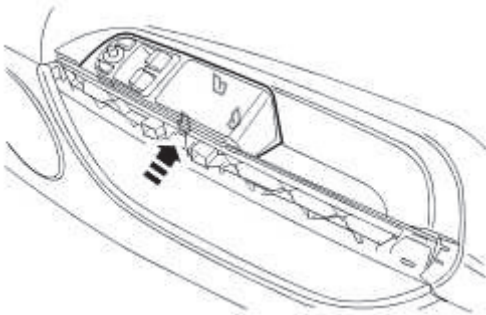
5 . Remove the grab handle cover.

- ▶ Release from the 6 clips.



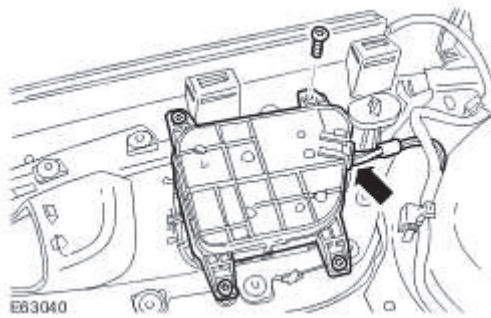
6 . Remove the window control switch.

- ▶ Release from the 3 clips.
- ▶ Disconnect the electrical connector.




7 . Remove the seat control switch.

- ▶ Remove the 4 Torx screws.
- ▶ Disconnect the electrical connector.



## Installation

- 1 . Install the seat control switch.
  - ▶ Connect the electrical connector.
  - ▶ Install and tighten the Torx screws.
  
- 2 . Install the window control switch.
  - ▶ Connect the electrical connector.
  - ▶ Secure in the clips.
  
- 3 . Install the grab handle cover.
  - ▶ Secure in the clips.
  
- 4 . Install the front door latch remote control handle.
  - ▶ Secure in the clips.
  
- 5 .  **CAUTION: Make sure that the cable remains correctly installed to the front door trim panel.**
  
- Install the front door trim panel.
  - ▶ Attach the front door interior handle cable.
  - ▶ Connect the electrical connectors.
  
- 6 . Secure the front door trim panel.
  - ▶ Secure in the clips.
  - ▶ Tighten the Torx bolts to 10 Nm.
  - ▶ Install the bolt cover.
  
- 7 . Install the exterior mirror trim panel.

- ▶ Connect the electrical connector.

- ▶ Secure with the clips.

8 Check the operation of the door latch remote control handle.

- ▶ With the door closed, check the latch operation of the door latch remote control handle.

- ▶ With the door closed, check the lock operation of the door latch remote control handle.