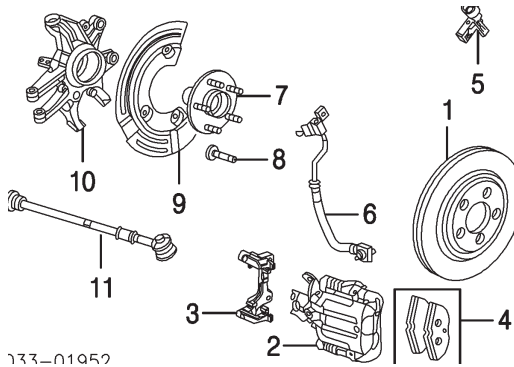


2010 Jaguar XK (none) Convertible

REAR SUSPENSION

Procedure 23



R&I Suspension/Rear Crossmember Assy 3.6

O/H Suspension (Includes R&I)

One Side (Includes R&I) R 4.8

L 4.8

Both Sides (Includes R&I) 9.2

R&R Brake Rotor R .9

L .9

Adjust Four Wheel Alignment 2.4

Bleed Brake System .7

NOTE 1: R&I/R&R or O/H Does Not include alignment or bleed brake system.

NOTE 2: All Parts in this section are included in overhaul unless noted otherwise.

Rotor Set, Brake (a)

XK	#	C2C25339	\$264.50
----	---	----------	----------

XKR

Std Duty Brakes	07-09 #	C2C25339	\$264.50
-----------------	---------	----------	----------

	10 #	C2P13648	\$281.00
--	------	----------	----------

Hvy Duty Brakes-Serviced by Components

(a) Set of 2

#See Headnote for Labor One Side

1 Rotor, Brake

XK-Serviced w/Brake Rotor Set

XKR