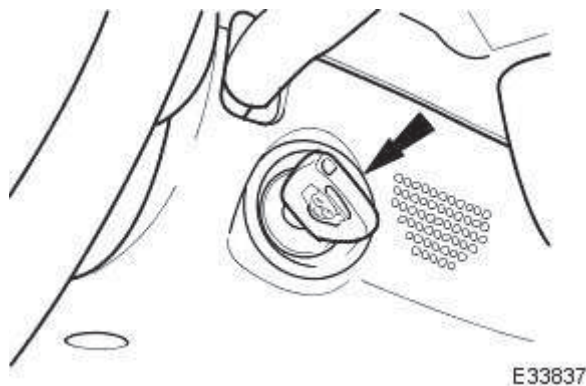


# Handles, Locks, Latches and Entry Systems - Ignition Lock Cylinder

Removal and Installation

## Removal

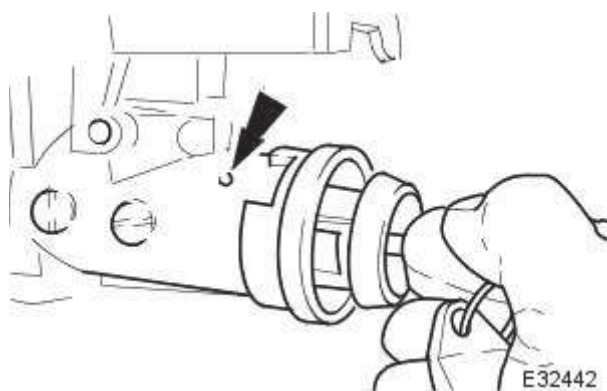
1. Remove the ignition key from the steering column lock.



2. Remove the steering column lower cowl; refer to Section 501-05.
3. Insert the ignition key into the steering column lock.
  1. Turn the key to the AUXILIARY position.



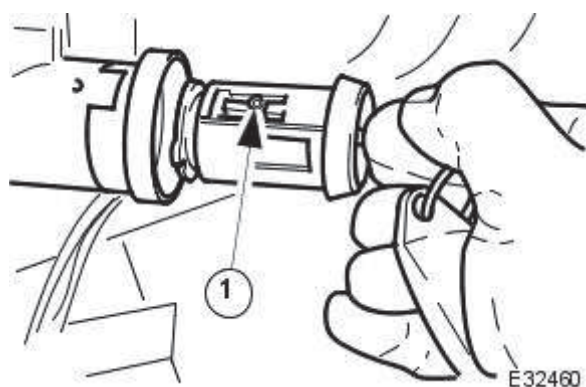
4. Remove the lock barrel from the steering column lock.
  1. Press the lock barrel retaining peg to release the barrel.
  2. Withdraw the lock barrel from the steering lock.



5. Remove the ignition key.

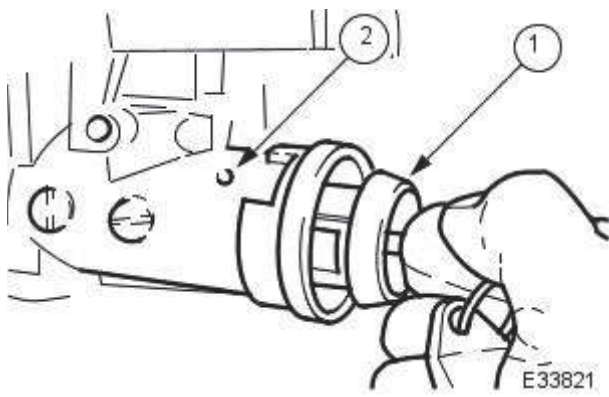
## Installation

1. Insert the ignition key into the lock barrel.
2. Align the lock barrel to the steering column lock.
  1. Rotate the ignition key until alignment of the lock barrel is attained.



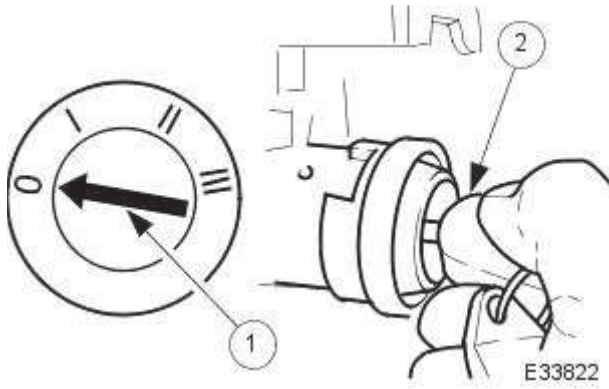
**3.** Install the lock barrel to the steering column lock.

1. Fully seat the lock barrel to the steering column lock.
2. Ensure that the retaining peg has engaged.



**4.** Turn the ignition key to the OFF position.

1. Withdraw the ignition key from the lock.



**5.** Install the steering column lower cowl; refer to Section 501-05.

**6.** Insert the ignition key into the steering lock.