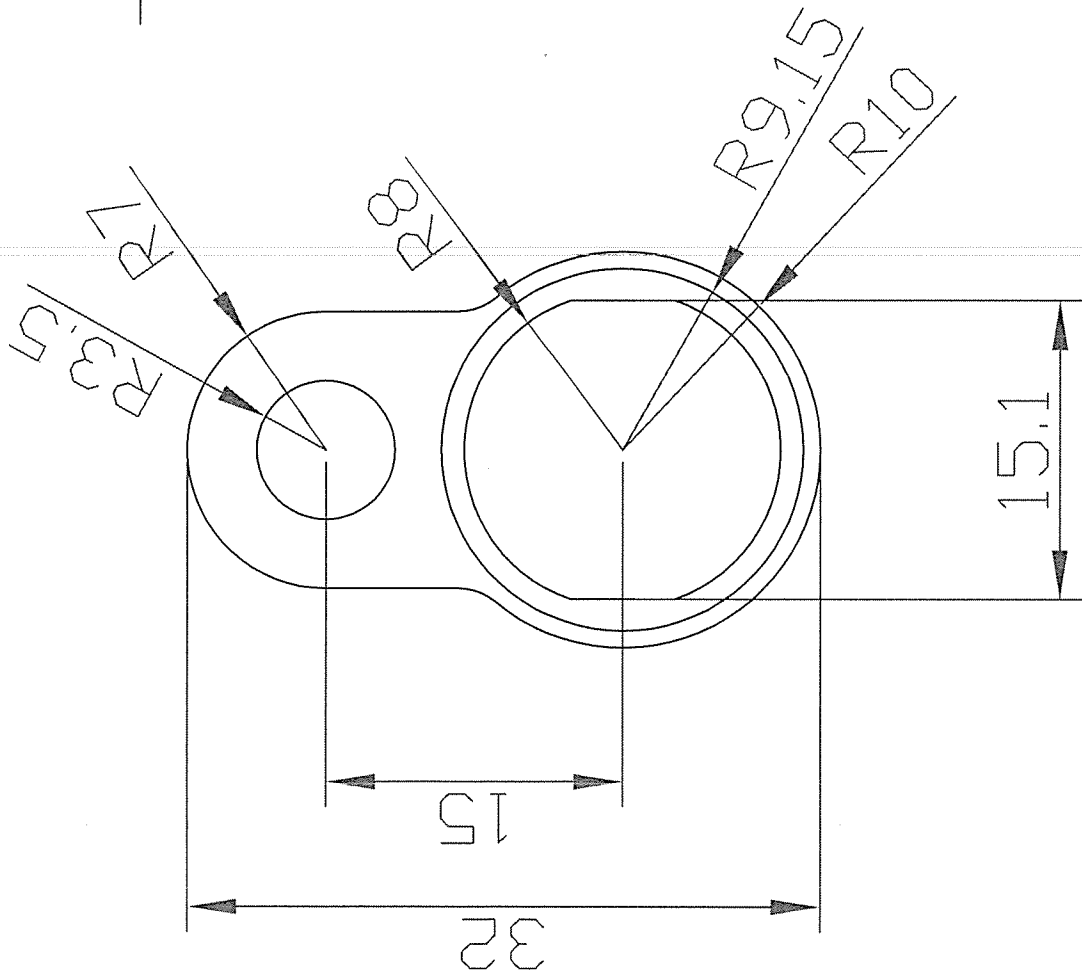
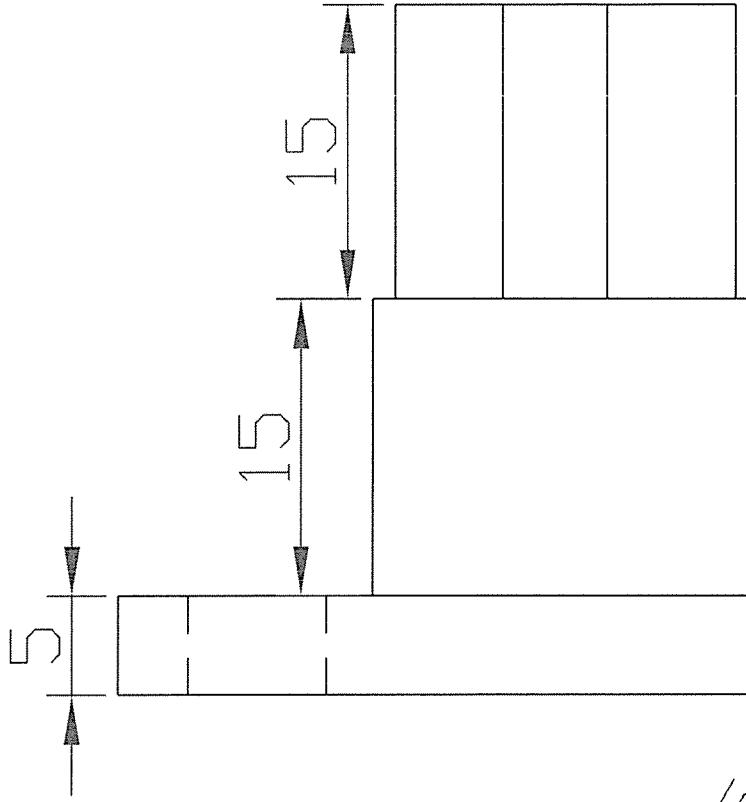
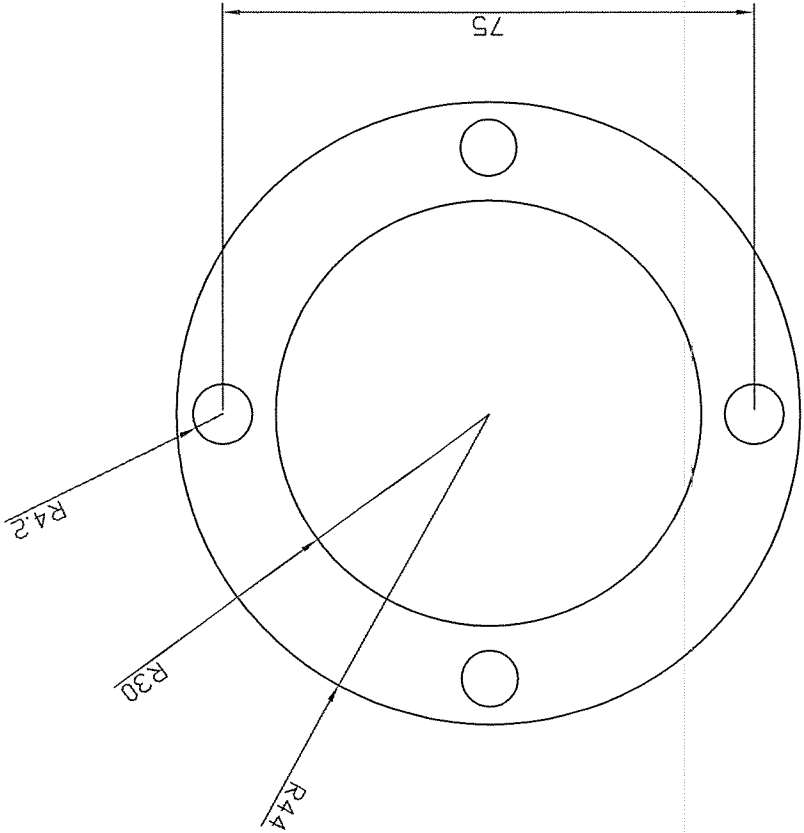
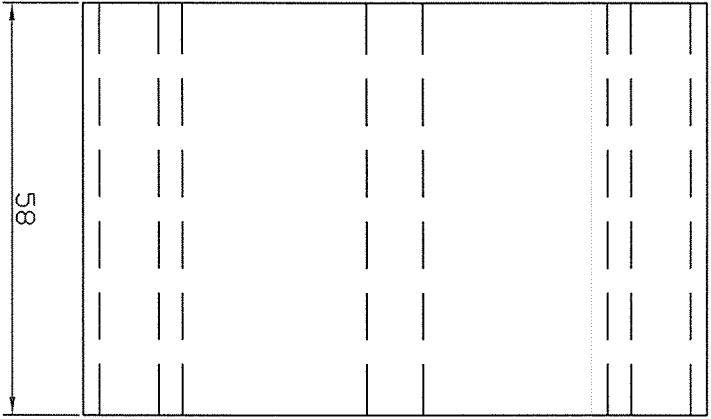
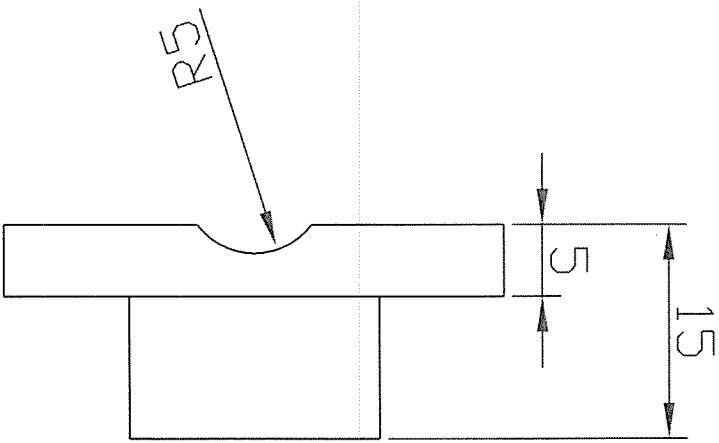
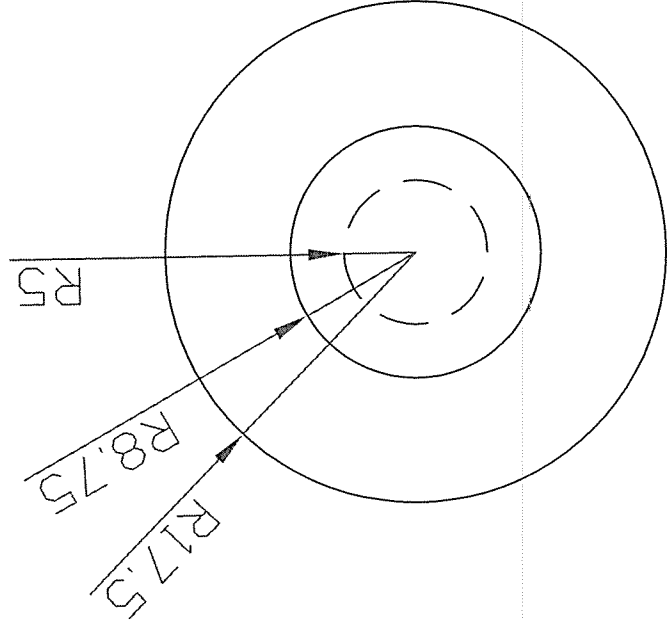
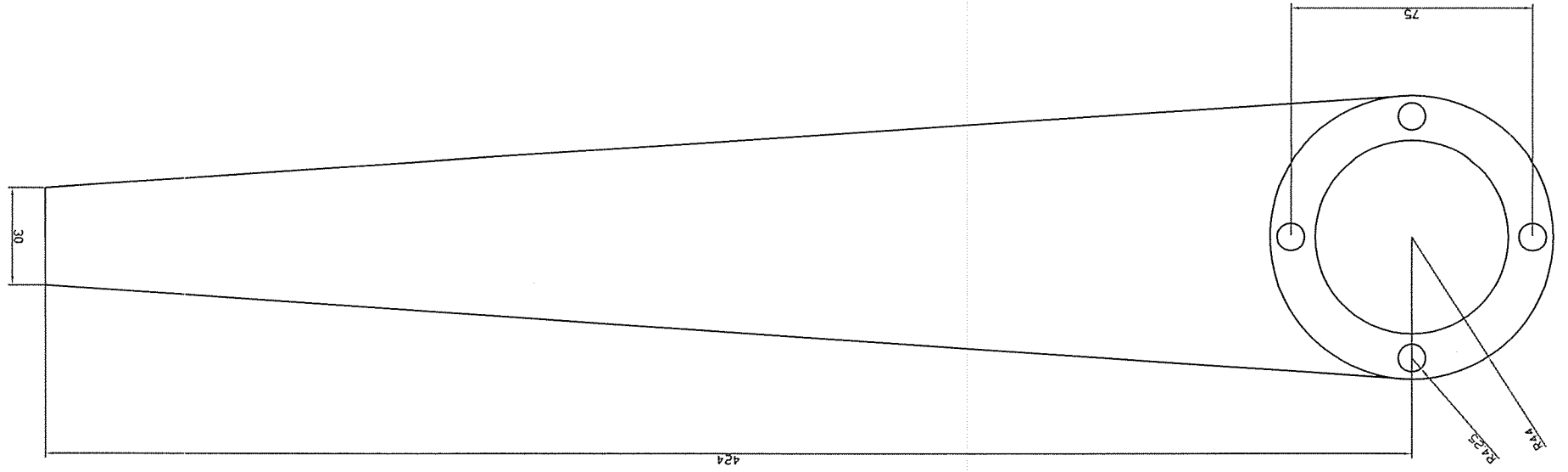
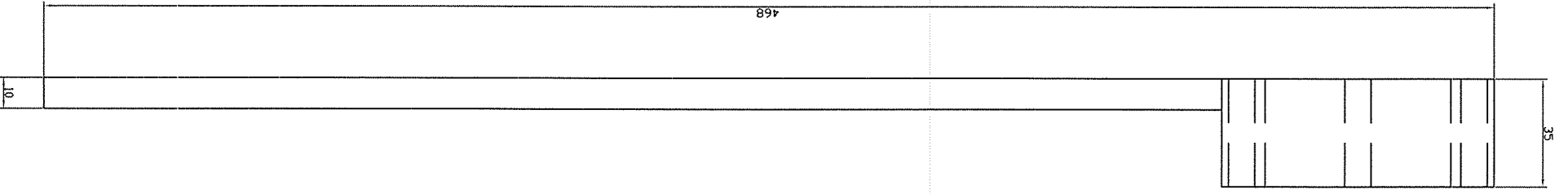


2.00









R4.4
R4.25

Thread M16 X 2.00

R5

