

**Vehicles With Seat-mounted Side Airbags –
Do Not Install Seat Covers**MODEL V8 Sedan
YEAR 1998 MY-ON

VIN 812256-ON

Issue:

All 1998 MY-ON Sedans are equipped with front seat-mounted side airbags. The side airbag is attached to the outboard side of the seat back frame of each front seat, in a cavity formed in the foam padding. A slit is incorporated in the foam on the forward side of the cavity, to direct the airbag as it expands to the exit point in the seat trim. For additional information, refer to page 98 of the V8 XJ Series Sedan 1998 Model Year Introduction manual.

Front seat covers would interfere with the deployment of the side airbags and cannot be installed in the above vehicles.

Action:

Do not install seat covers on the front seats of 1998 MY-ON Sedan Range vehicles.

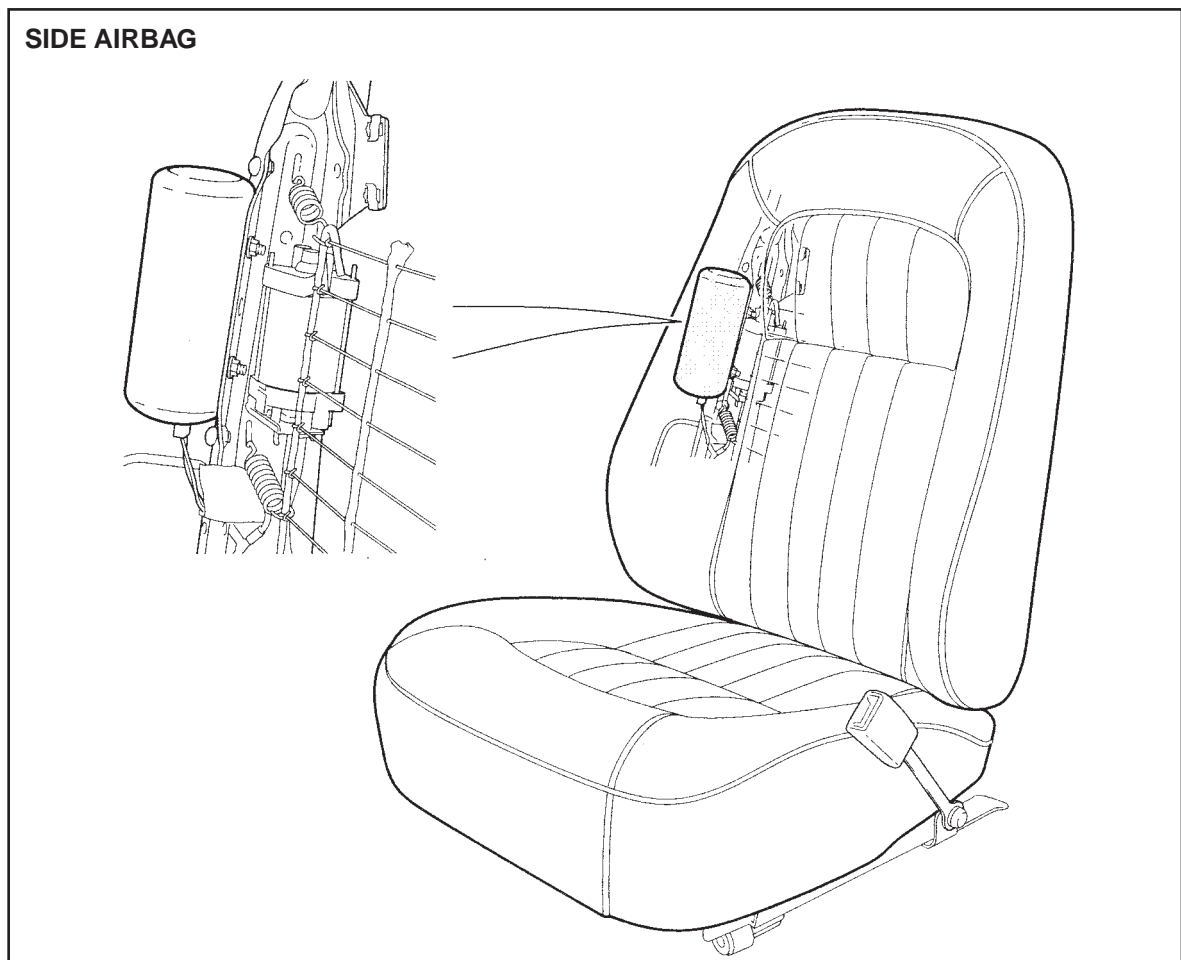


ILLUSTRATION 1