

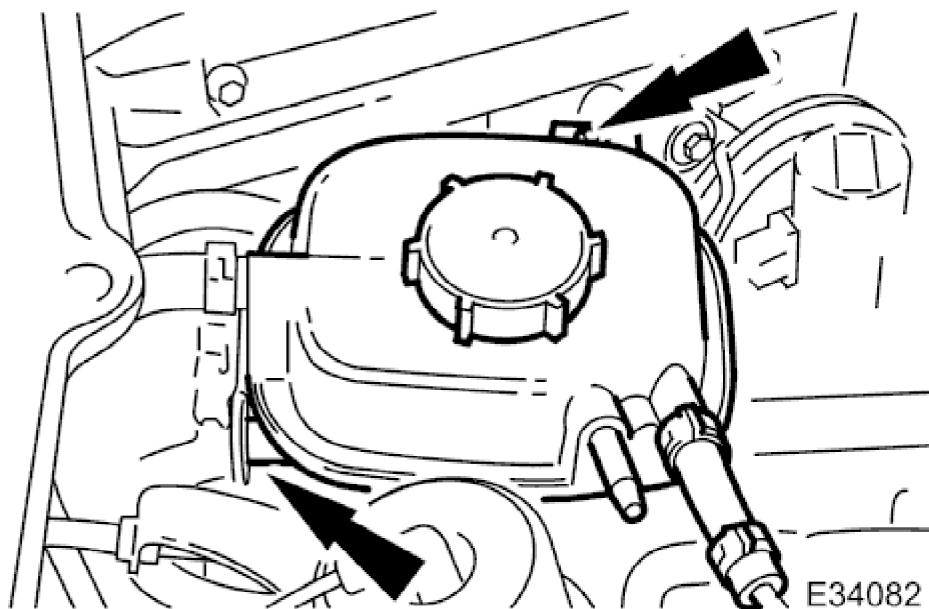
## Camshaft Position (CMP) Sensor 18.30.63

### Removal

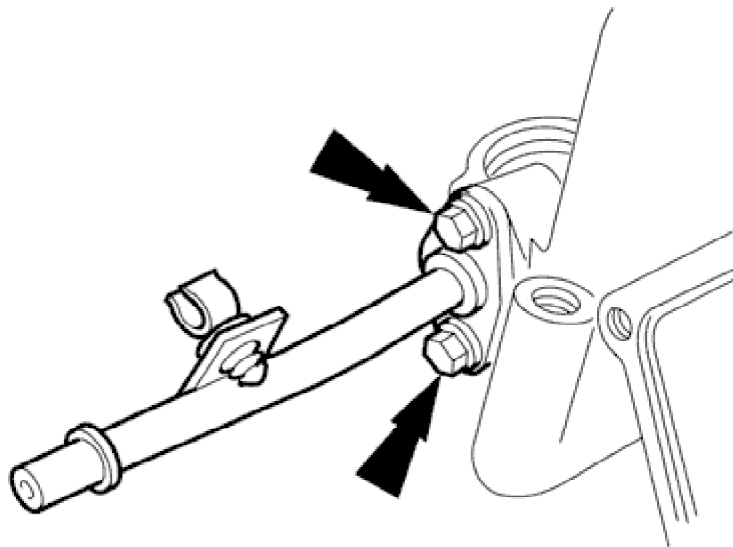
1. Disconnect battery ground cable (IMPORTANT, see SRO <<86.15.19>> for further information).
2. Remove engine covers; refer to 12.30.06.

3.  **WARNING:**  
**BEFORE PROCEEDING, IT IS ESSENTIAL THAT THE WARNING NOTES GIVEN IN SECTION <<100-00>> (UNDER THE HEADING 'SAFETY PRECAUTIONS') ARE READ AND UNDERSTOOD.**

De-pressurize fuel system; refer to <<19.50.02>>.

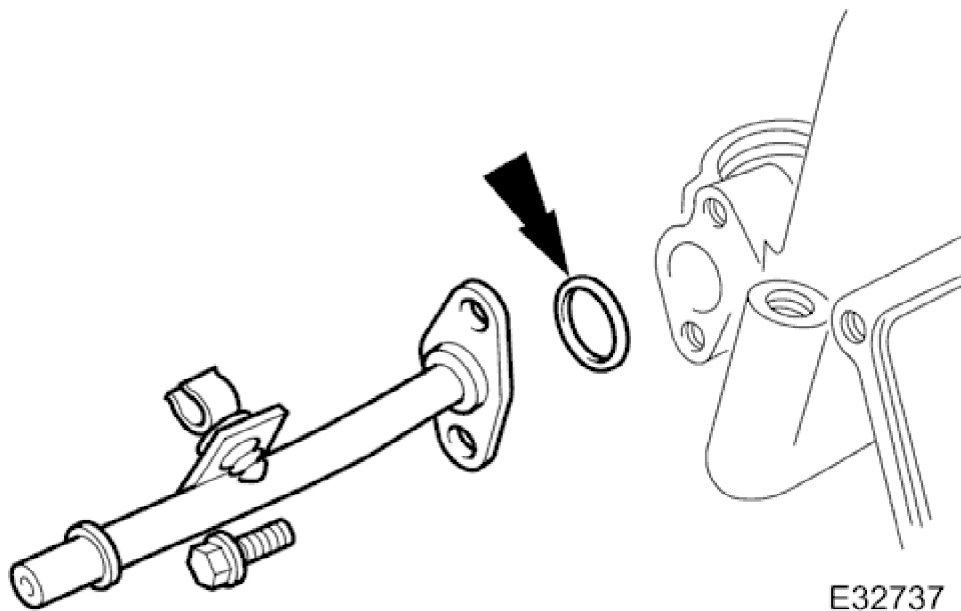


4. Remove coolant expansion tank fixings and reposition tank for access.



E32736

5. Remove bolts securing fuel feed pipe to inlet manifold.

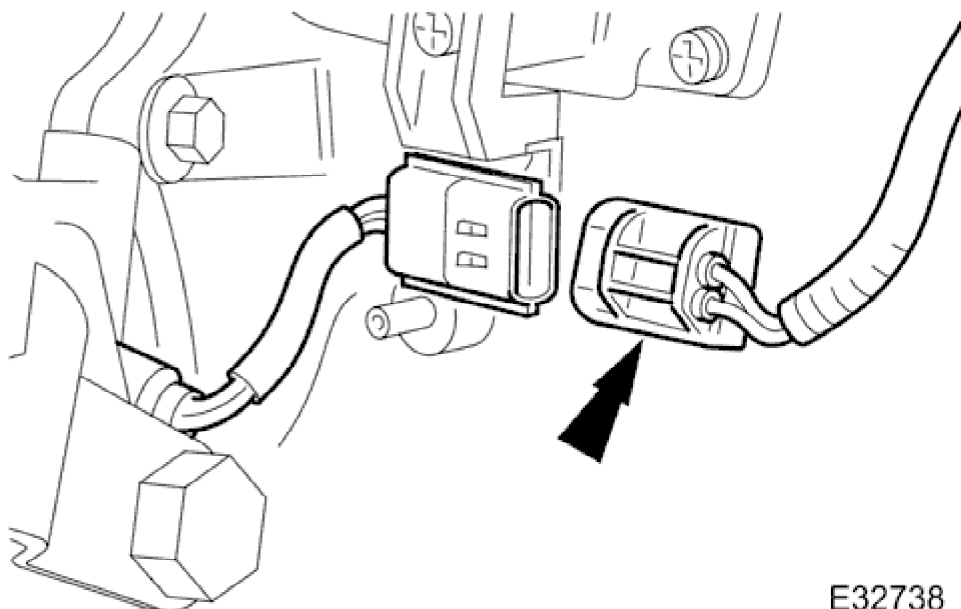


E32737

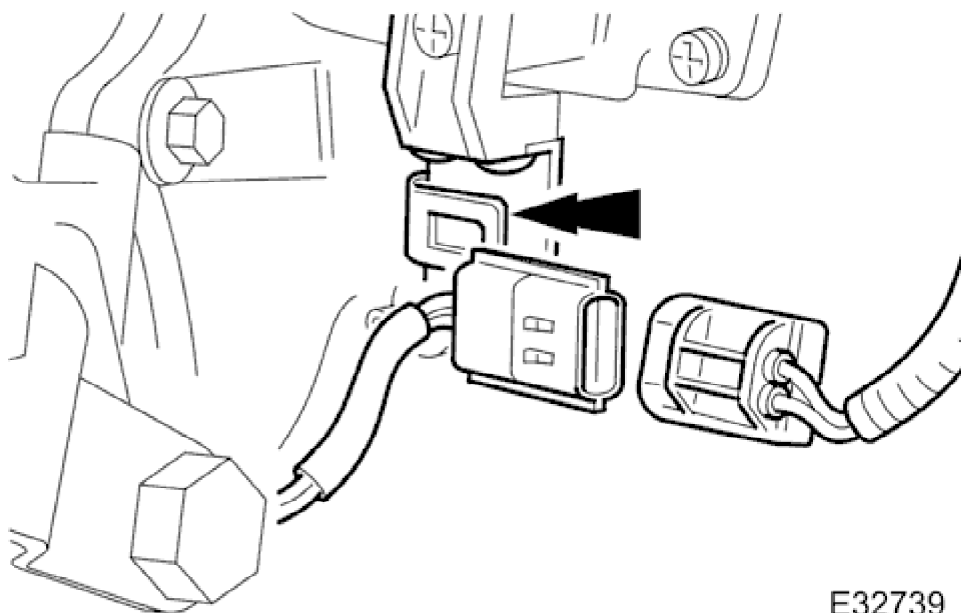
6. Disconnect fuel feed pipe from inlet manifold and pull pipe assembly clear.

- Discard O-ring.
- Install suitable blanking plugs.

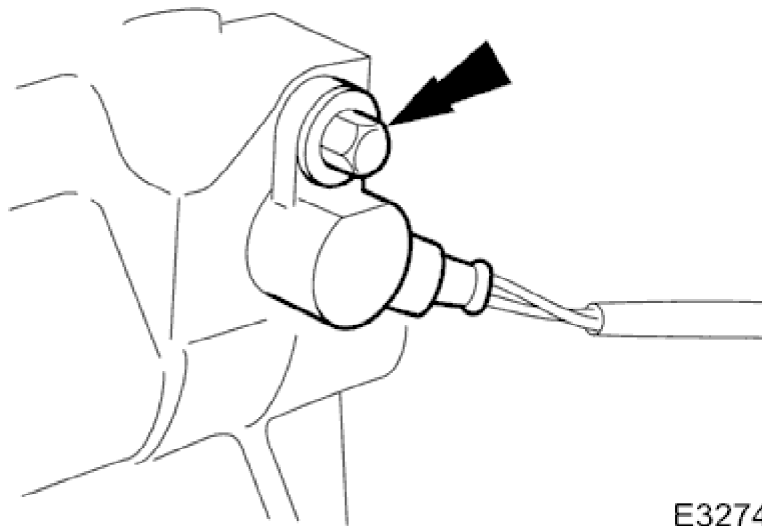
## 1998 XK RANGE - Electronic Engine Controls - 303-14



7. Disconnect CMP sensor connector.
- Depress tang on connector to release, tools are not necessary.



8. Release CMP sensor socket from mounting bracket.
- Depress tang on socket to release, tools are not necessary.

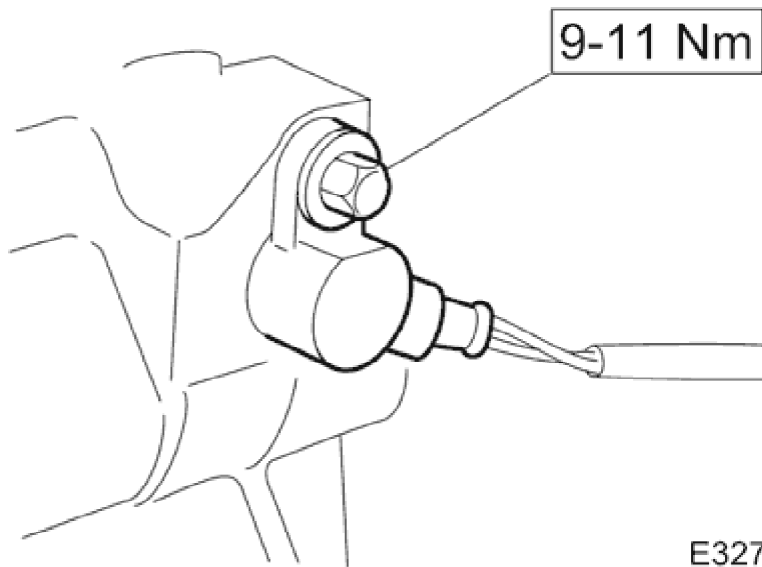


E32740

9. Remove CMP sensor.

- Remove fixing.
- Remove sensor.
- Discard O-ring.
- Install suitable blanking plug.

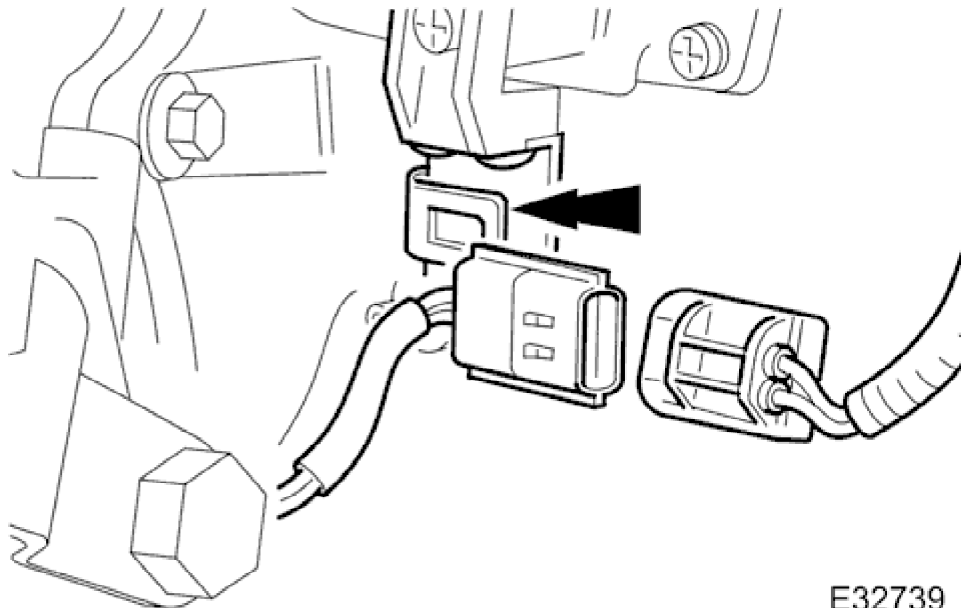
**Installation**



E32741

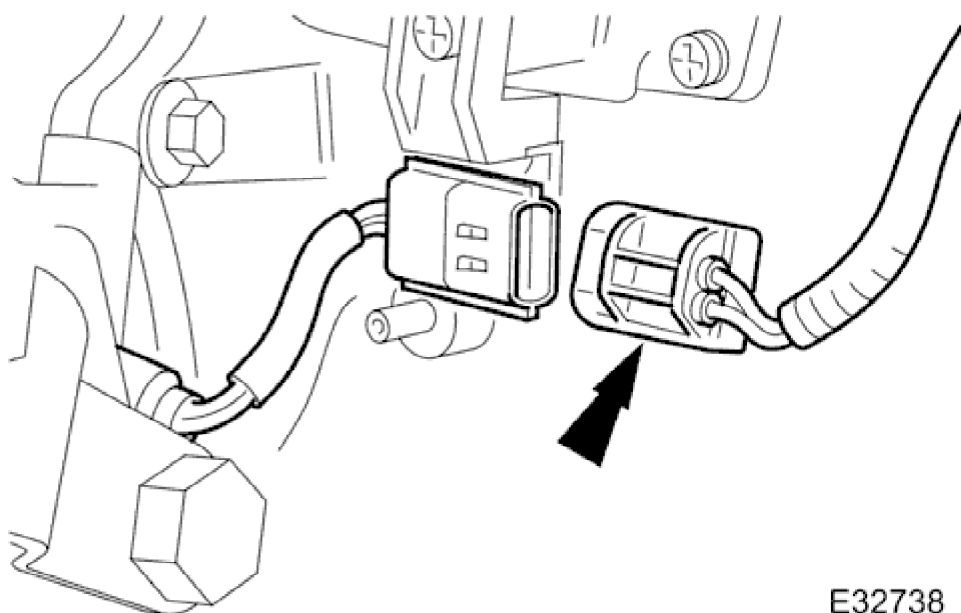
1. Install CMP sensor.

- Clean relevant parts and mating faces.
- Remove blanking plug.
- Install and lubricate new O-ring.



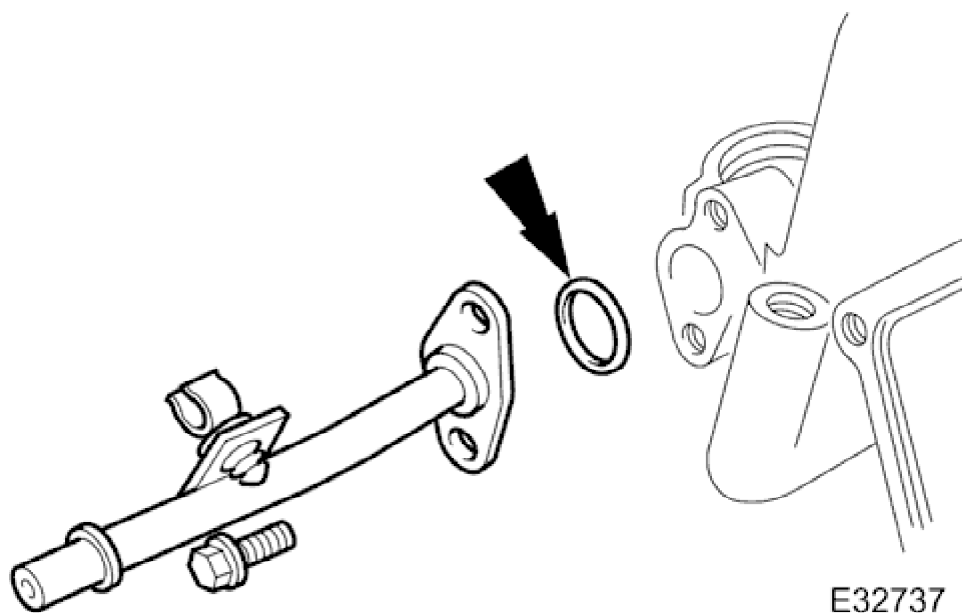
2. Install CMP sensor socket to mounting bracket.

E32739

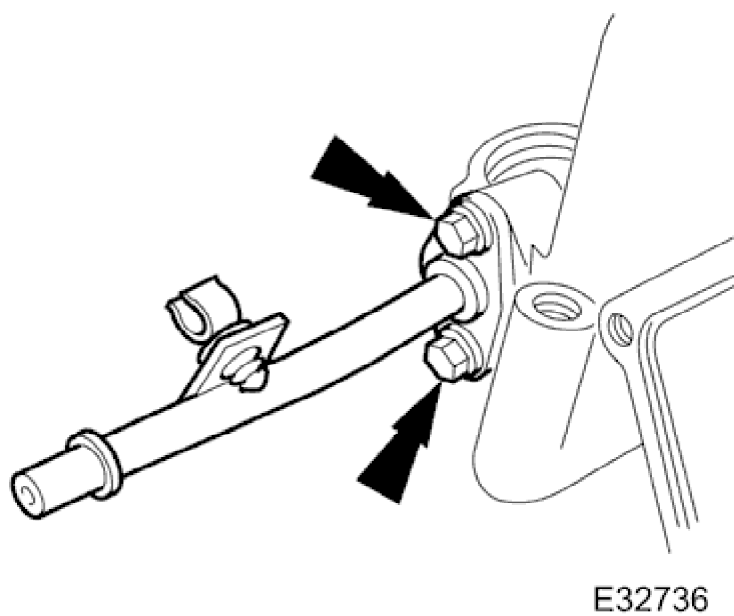


3. Connect CMP sensor connector.

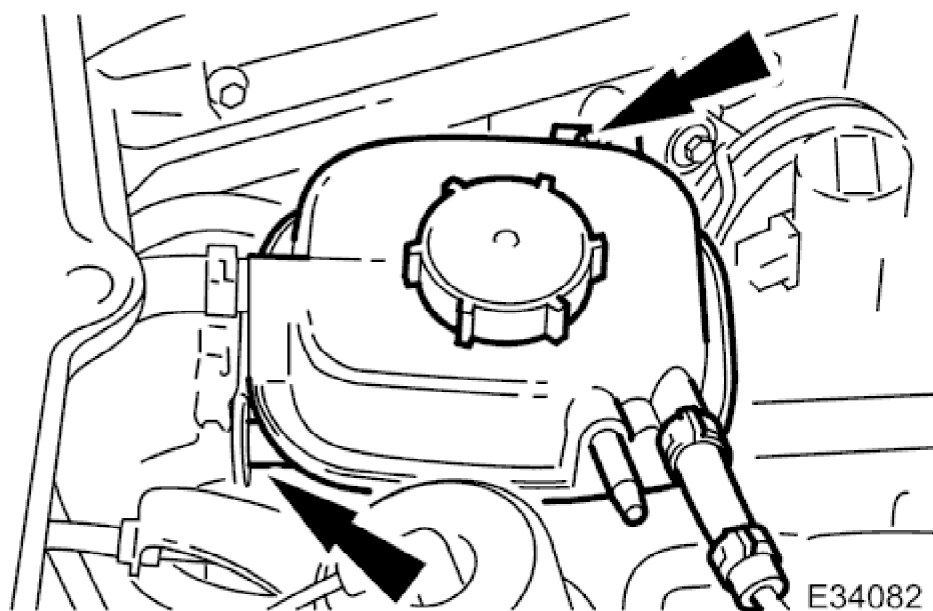
E32738



4. Connect fuel feed pipe to inlet manifold.
- Remove blanking plugs.
  - Install and lubricate new O-ring.



5. Install bolts securing fuel feed pipe to the inlet manifold.



6. Install coolant expansion tank.

7. Install engine covers; refer to 12.30.06.

8. Reconnect battery ground cable (IMPORTANT, see SRO <<86.15.15>> for further information).