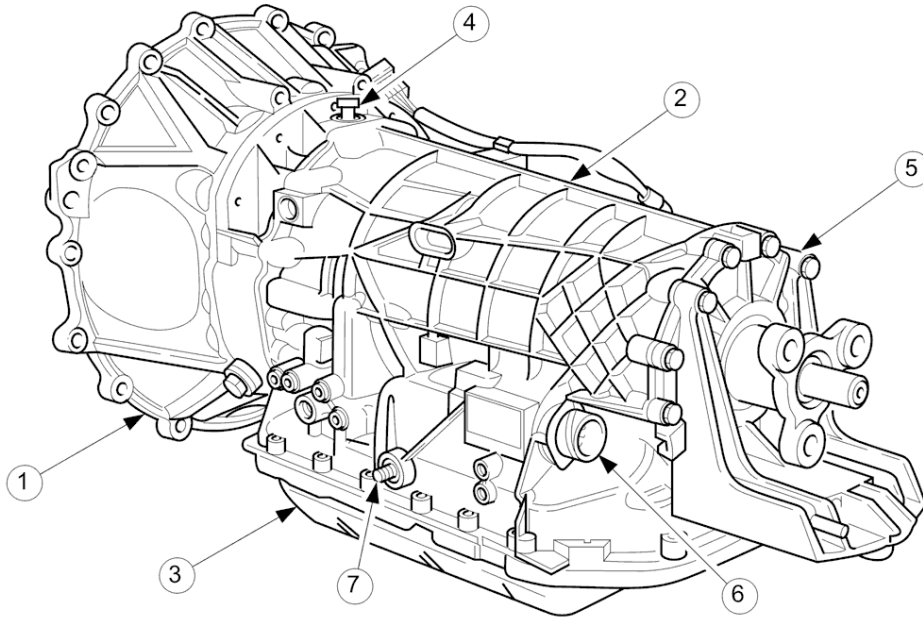
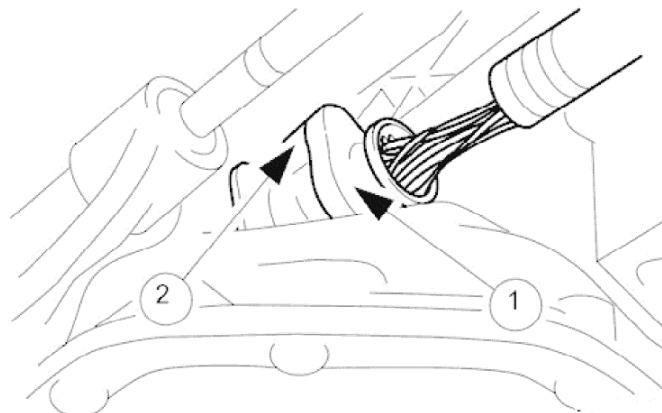


1997 Jaguar XK8 - Transmission



Item	Description
1	Torque converter housing
2	Transmission casing
3	Fluid pan
4	Transmission breather
5	Rear extension housing
6	16-way connector
7	Gear selector shaft



Disconnect the transmission harness multiplug.
1. Rotate the locking lever to release.
2. Disconnect the multiplug.