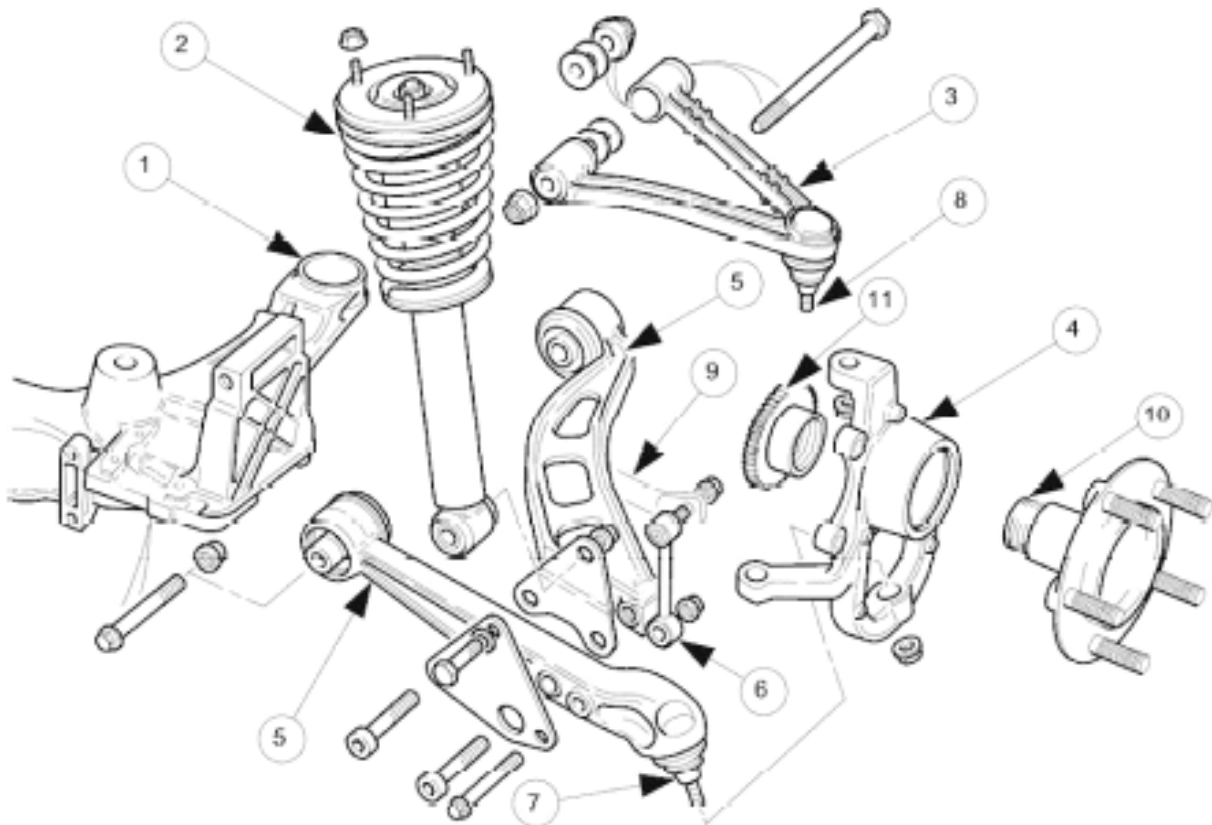


Jaguar XK8 - 2002

Front Suspension Components



Item	Description
1	Crossbeam
2	Shock Absorber and Spring Assembly
3	Upper Wishbone
4	Vertical Link
5	Lower Wishbone
6	Stabilizer Bar Link
7	Lower Ball Joint
8	Upper Ball Joint
9	Stabilizer Bar
10	Hub
11	Hub Rotor Nut