

TRANSMISSION SERIAL NUMBER

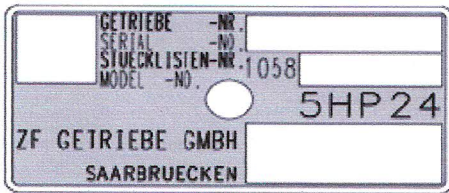
The ZF tag with the serial number is a green steel tag, secured with one rivet to the transmission case, and is located just forward of the transmission harness electrical connector on the drivers side.

Here's what the green "Type Plate" tag looks like per the ZF 5HP24 Spare Parts Catalog:

ZF 5HP24 Automatic Transmission - Spare Parts Catalog

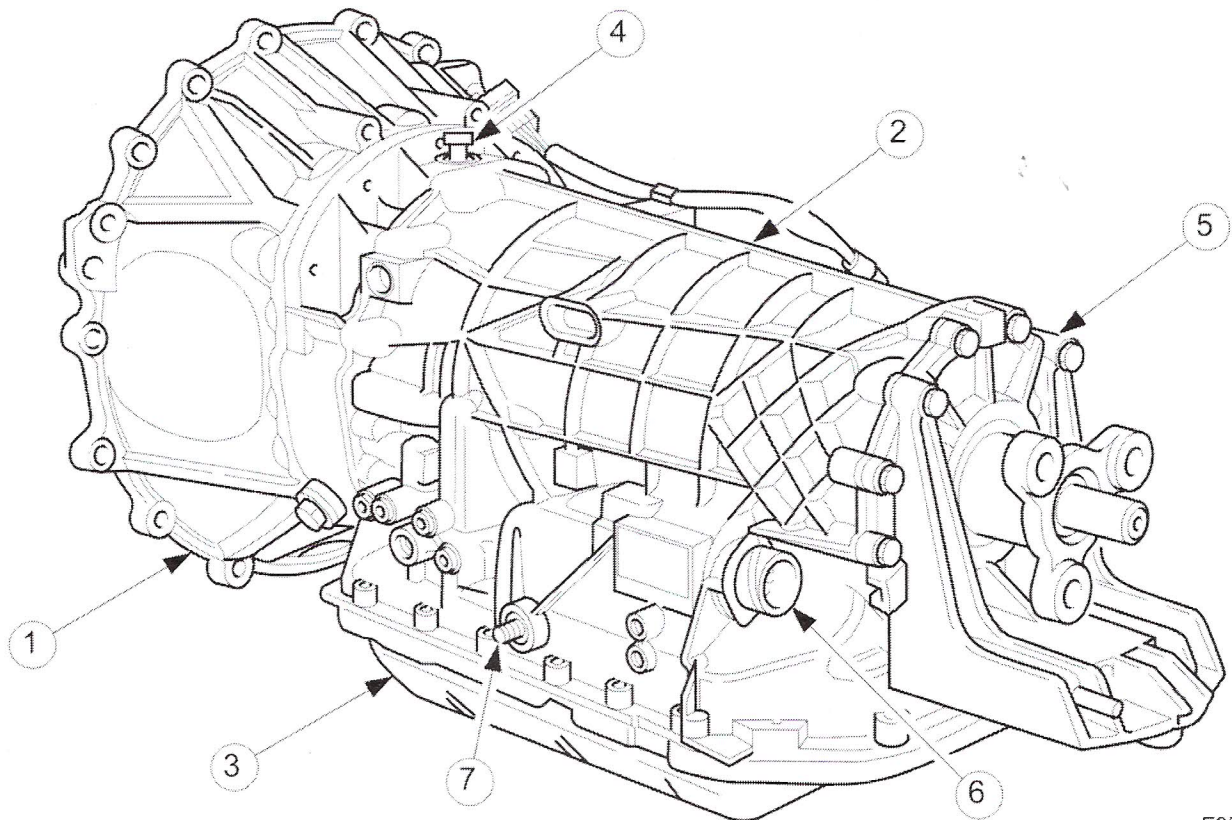


Type Plate: Located on the main housing of transmission. Please refer to ZF transmission specification # when searching for spare parts and kits in this catalog (last three digits).



- ← Transmission Serial #
- ← ZF Transmission Specification #
- ← Vehicle Manufacturer Transmission #

1997 XK RANGE - Automatic Transmission/Transaxle - 307-01



Item	Description
1	Torque converter housing
2	Transmission casing
3	Fluid pan
4	Transmission breather
5	Rear extension housing
6	16-way connector
7	Gear selector shaft

E35347