

Parts Catalogue

Jaguar XK8 & XKR

Part No. JLM 20300

Whilst every effort is made to ensure the accuracy of the particulars contained in this Manual the Manufacturing Companies will not, in any circumstances, be held liable for any inaccuracies or the consequences thereof.

© Jaguar Cars Ltd 1998

All rights reserved. No part of this publication may be reproduced, stored in a retrieval system or transmitted in any form, whether by electronic, mechanical, photocopying, recording or other means without the permission of Jaguar Cars Limited.

Replacement parts that are not of genuine Jaguar supply cannot be relied upon to be of correct specification, material, and workmanship and therefore Jaguar cannot be expected to extend warranty to vehicles which have been fitted with parts not supplied by them.

Jaguar reserves the right to make changes or improvements in the construction or specification of their products at any time.

**IN ORDER TO ENSURE PROMPT AND CORRECT EXECUTION OF
YOUR ORDERS IT IS ESSENTIAL TO QUOTE:-**

1. The relative Unit Number, together with prefixes, suffixes and specification references where applicable.
eg. Axle, Body, Vehicle Identification, Engine, Gearbox Numbers etc.
2. The Part Number and description (prefix and suffix letters to Part Numbers must always be quoted).
3. Always state the colour of carpets, painted items, trim items etc, using the colour code from the Vehicle Identification Number (VIN) plate and the colour combination key to identify the colour name.
4. The quantity required bearing in mind that the quantities shown are those used in the application actually illustrated. Sometimes only minimum package quantities are available. These packs may well contain more parts than are required for a single job; for details of packaged quantities, see the Service Parts List.

**THE LISTING OR ILLUSTRATING OF AN ITEM DOES NOT
GUARANTEE ITS AVAILABILITY.**

IP1034

INDEX TO INTRODUCTION SECTION

MICROFICHE PAGE REFERENCE	PAGE TITLE	REMARKS
B03	STANDARD ABBREVIATIONS	Standard abbreviations used in the microfiche text are referenced on this page.
B04	GEOGRAPHIC GROUPINGS	Country Groupings used in the microfiche text are referenced on this page.
B05	VEHICLE IDENTIFICATION NUMBERING SYSTEM	VIN Serial letters and numbers explained. VIN plate location.
B06	MAJOR UNIT IDENTIFICATION NUMBERING SYSTEM 4.0 LITRE	Engine number coding explained. Location of engine/gearbox serial number.
B07	CONTROL MODULE (Programmeable) LOCATIONS	Location of Programmeable Units.
B08	BODY COLOUR	Body colour.
B9	TRIM COLOUR CODES	Denotes trim colour codes applicable to this vehicle.
B10	TRIM COLOUR COMBINATION CHART-CLASSIC	Denotes trim colour ranges applicable to specific areas of the vehicle interior.
B11	TRIM COLOUR COMBINATION CHART-SPORT	Denotes trim colour ranges applicable to specific areas of the vehicle interior.
B12-13	HOOD COLOUR	Denotes details of hood colour to interior/exterior colour.

COUNTRY GROUPS

Where appropriate, applications for individual Markets are detailed as "Remarks" adjacent to specific Part Numbers. For convenience, Markets are sometimes categorised into geographical groups. "Exceptions/exclusions" from these geographical groups are detailed as footnotes on the appropriate page. Where the vehicle specification clearly excludes a feature from application to your market, the exclusion note may be omitted.

Definitions of the geographical groups used in this catalogue are as follows:

AUSTRALASIA: Australia, New Zealand.

CARIBBEAN: Panama, Bahamas.

EASTERN EUROPE: Bulgaria, Czechoslovakia, Hungary, Poland, Russia.

EEC: Austria, Belgium, Canary Islands, Denmark, Eire, Finland, France, Germany, Greece, Holland, Italy, Luxembourg, Portugal, Slovenia, Spain, Sweden.

MEDITERRANEAN: Cyprus, Egypt, Israel, Jordan, Lebanon, Morocco, Syria, Turkey.

EUROPE: Austria, Belgium, Denmark, Eire, Finland, France, Germany, Gibraltar, Greece, Holland, Italy, Luxembourg, Norway, Malta, Portugal, Spain, Canary Islands, Sweden, Switzerland, UK.

FAR EAST: China, Hong Kong, Indonesia, Korea, Malaysia, Philippines, Singapore, Sri Lanka, Thailand, Vietnam.

MIDDLE EAST: Abu Dhabi, Bahrain, Dubai, Kuwait, Oman, Qatar, Saudi Arabia.

RUSSIA: Belarus, Estonia, Kazakhstan, Latvia, Lithuania, Moscow, Ukraine, Uzbekistan.

SOUTH AMERICA: Argentina, Chile, Paraguay.

VEHICLE IDENTIFICATION NUMBERING SYSTEM

The Vehicle Identification Number comprises of a set of letters and numbers, representing such information as Marque, Range, Class, Engine type, etc. The code for the Jaguar 4.0 Litre Range is as follows:

PREFIX 1 to 4
World Manufacturing Identifier
SAJJ = Jaguar

PREFIX 5
Model Range
G = X100

PREFIX 6
Class
A = Base Spec
K = Japanese Spec
N = Canadian Spec
X = USA Spec

PREFIX 7
Body Variant
E = 2dr Coupe
F = 2dr Convertible

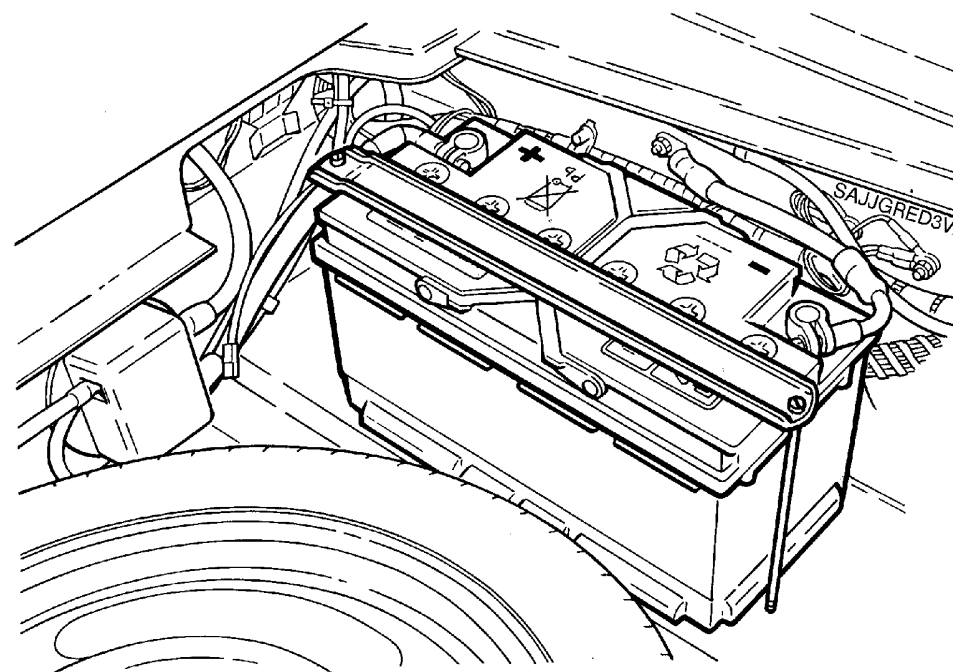
PREFIX 8
Engine Variant
D = 4.0 Litre

PREFIX 9
Transmission & Steering
3 = Auto RHS
4 = Auto LHS

PREFIX 10
Model or Year Change
V = 1997 Model Year
W = 1998 Model Year
X = 1999 Model Year

PREFIX 11
Emission Control System
C = 91 RON, emission C
H = 95 RON, emission C
J = 95 RON, emission E
L = 95 RON, emission C
R = 95 RON, emission C, S/C
T = 91 RON, emission C and D
W = 95 RON, emission A
X = 91 RON, emission C and D

PREFIX 12 to 17
Production Serial Number



Model Year VIN Numbers

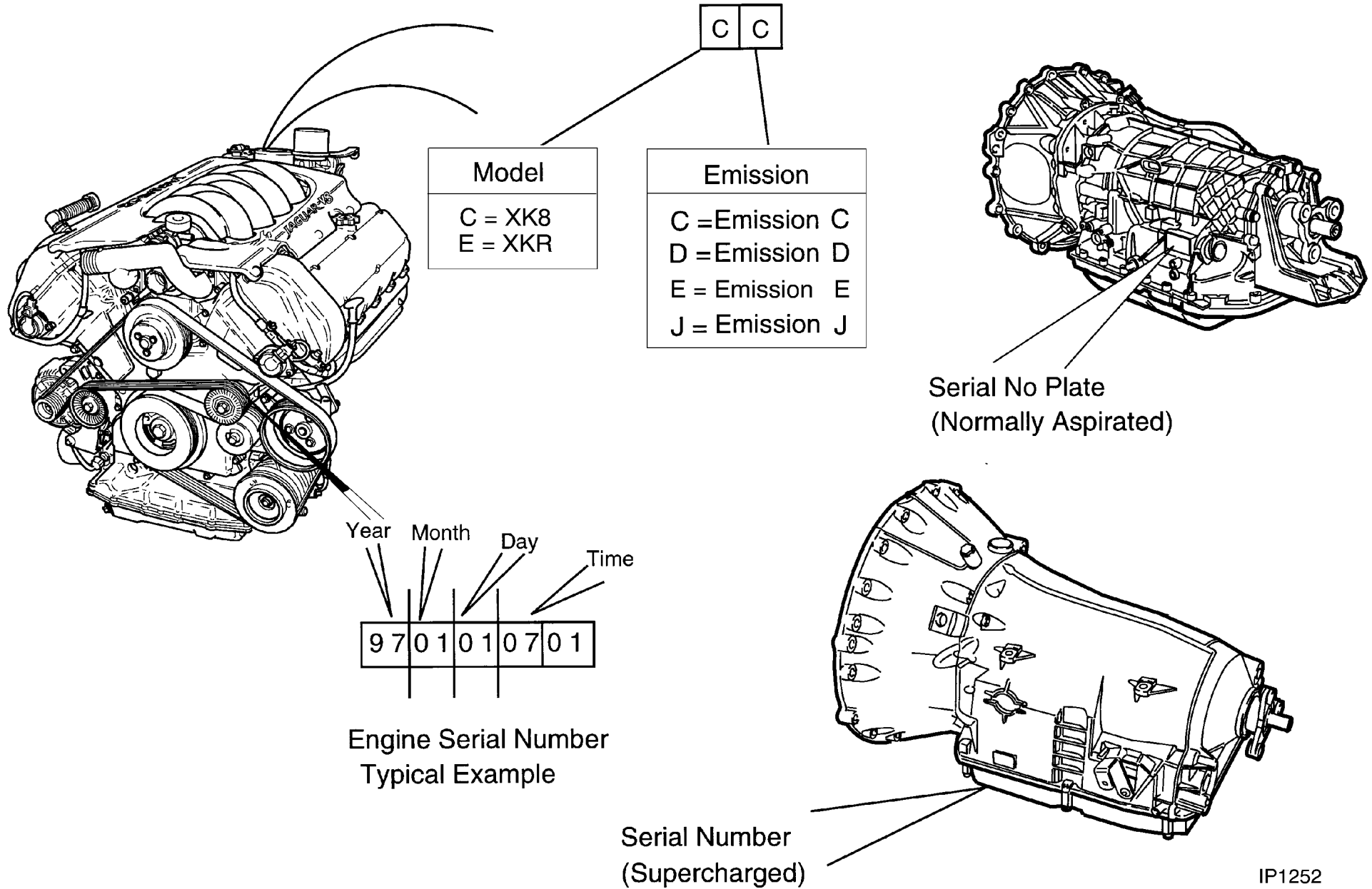
1997 MY From (V) 001246 to 018107

1998 MY From (V) 018108 to 024686

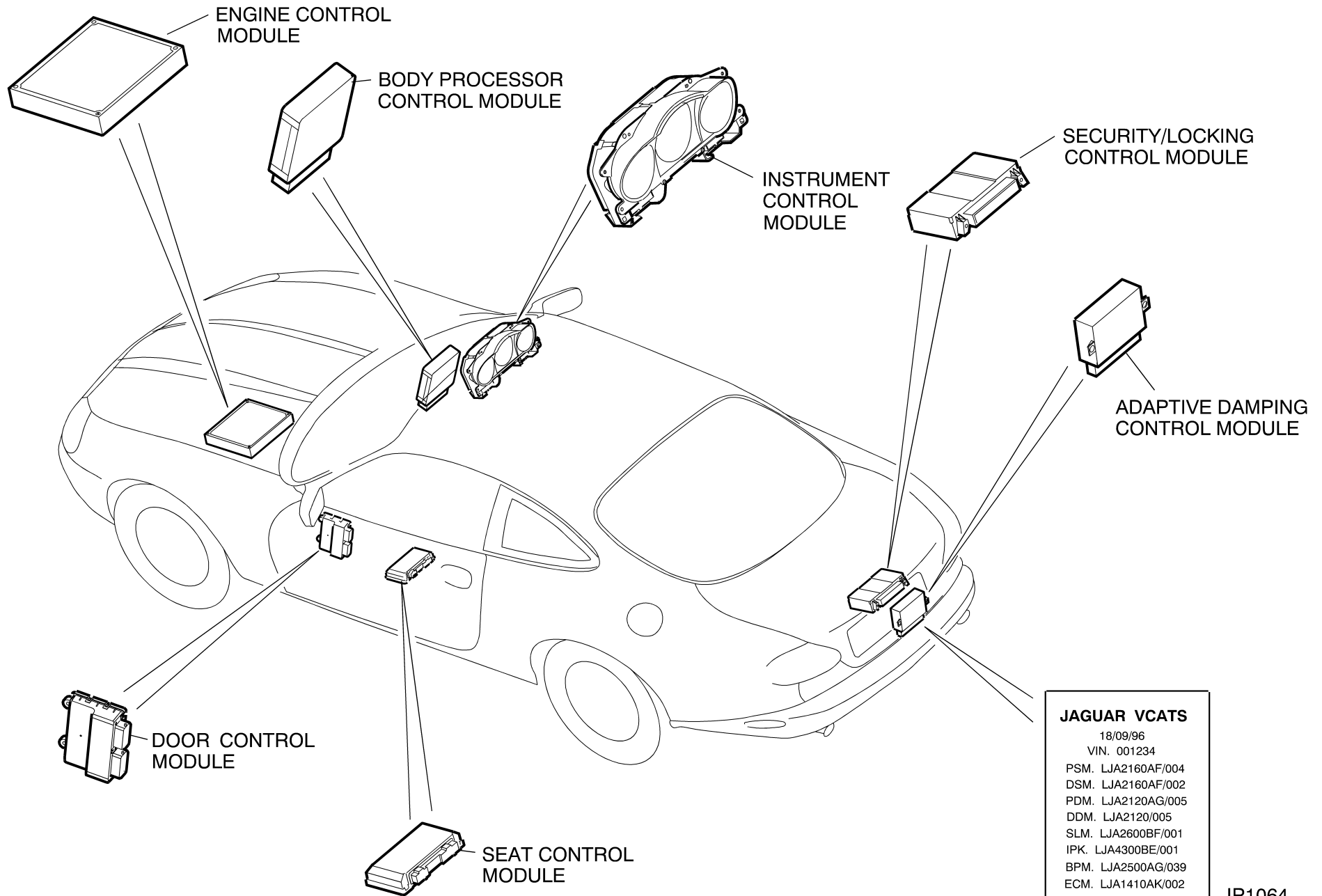
1998^{3/4} MY From (V) 024687 to 031302

1999 MY From (V) 031303 to 042775

UNIT IDENTIFICATION NUMBERING SYSTEM



CONTROL MODULE LOCATIONS



JAGUAR VCATS
18/09/96
VIN. 001234
PSM. LJA2160AF/004
DSM. LJA2160AF/002
PDM. LJA2120AG/005
DDM. LJA2120/005
SLM. LJA2600BF/001
IPK. LJA4300BE/001
BPM. LJA2500AG/039
ECM. LJA1410AK/002

BODY COLOUR CODES

BODY COLOUR	JBC No.	
	Solvent	Waterborne
ALPINE		1880 (HGF)
AMARANTH	862 (KDJ)	1862 (KDK)
ANTHRACITE	859 (PDX)	1859 (PED)
ANTIGUA	840 (JGZ)	1840 (JHH)
AQUAMARINE	839 (JGY)	1839 (JHF)
BLACK	807 (PDT)	1807 (PEC)
BRITISH RACING GREEN	753 (HFB)	1753 (HGD)
CARNIVAL	811 (CFS)	1811 (CGC)
EMERALD		1895 (HGC)
ICE BLUE	821 (MDP)	
METEORITE	911 (MDT)	1911 (MDX)
PHOENIX RED		1924 (CGL)
SAPPHIRE	806 (JGE)	1806 (JHE)
SHERWOOD	835 (HFR)	1835 (HGE)
SPINDRIFT	732 (NDM)	1732 (NEE)
TITANIUM	810 (LFA)	1810 (LGL)
TOPAZ	820 (SDN)	1820 (SEC)

TRIM CODES

	3 LETTER CODE		3 LETTER CODE
LEATHER		SEAT BELTS	
Oatmeal	AGD	Oatmeal	AGD
Cream	NDR	Warm Charcoal	LEG
Warm Charcoal	LEG	Sable	AEK
Teal	HDX	Teal	HDX
Coffee	SDC	HEADLINING	
SCULPTURED FABRIC		Oatmeal	AGD
Oatmeal	AGF	Nimbus Grey	LFJ
Cream	NEB	HOODS	
Warm Charcoal	LGE	Stone	AEL
Teal	HDY	Black	PDM
Coffee	SDR	Beige	ANR
CARPETS		Green	HFV
Mink	AGH	Blue	JFF
Flint	LFN		
Sable	AEK		
Teal	HDX		
Coffee	SDC		
FACIA			
Antelope	AGE		
Warm Charcoal	LEG		
Sable	AEK		
Dark Teal	HDV		
Coffee	SDC		

TRIM COLOUR COMBINATION CHART - CLASSIC

OVERALL INTERIOR COLOUR DESCRIPTION	INTERIOR TRIM LOWER/SEATING	FACIA GEARSHIFT ASSEMBLY/STEERING WHEEL	SEATBELTS	INTERIOR TRIM UPPER	PARCEL SHELF	CARPETS	FLANGE FINISHER	HOOD CONTAINER (CONV)	BOOT TRIM
OATMEAL	OATMEAL	ANTELOPE	OATMEAL	OATMEAL	ANTELOPE	SABLE	WARM CHARCOAL	SABLE	FLINT
WARM CHARCOAL	WARM CHARCOAL	WARM CHARCOAL	WARM CHARCOAL	NIMBUS	WARM CHARCOAL	FLINT	WARM CHARCOAL	FLINT	FLINT
CREAM	CREAM	SABLE	SABLE	OATMEAL	SABLE	SABLE	WARM CHARCOAL	SABLE	FLINT
TEAL	TEAL	DK TEAL	TEAL	NIMBUS	DK TEAL	TEAL	WARM CHARCOAL	FLINT	FLINT
COFFEE	COFFEE	COFFEE	SABLE	OATMEAL	COFFEE	COFFEE	WARM CHARCOAL	SABLE	FLINT
IVORY	IVORY	IVORY	SABLE	OATMEAL	SABLE	SABLE	WARM CHARCOAL	SABLE	FLINT
CASHMERE	CASHMERE	SABLE	SABLE	OATMEAL	SABLE	SABLE	WARM CHARCOAL	SABLE	FLINT

INT. TRIM LOWER/SEATS	FACIA	SEATBELTS	INTERIOR TRIM UPPER	PARCEL SHELF	CARPETS	FLANGE FINISHER	HOOD CONTAINER	BOOT TRIM
FRONT SEATS	FACIA UPPER	SEATBELTS & BUC	A POST UPPER	PARCEL SHELF	HEEL MATS		HOOD	SPARE
SQUAB TRIG. KNOB	FACIA ENDS	RETAINERS	HEADER	(COUPE)	SEAT SLIDES		CONTAINER	WHEEL
TRIG. ESCUTCHEO	DEMIST VENTS	SEATBELT	SUNVISORS &	SUB WOOFER				COVER
INT. MECHM COVER	SQUAWKER	RUNNING LOOPS	FIXINGS	COVER (4)				BOOT BOARD
REAR SEATS	DOOR TOP ROLL	SEATBELTS	HEADLINING	HMSL COVER				BOOT
SEAT STITCHING	STEERING WHEEL	FRT/RR	AIR EXT. VENTS	(COUPE)				FIXINGS
DOOR CASING	J GATE SURROUND	ADJUSTER KNOB						HOOD
DOOR CENTRE PANEL	HANDBRAKE GRIP							STOWAGE
DOOR ARMREST	CHEATERS							BAG
CARPET BINDING	STOWAGE TRAY							
RR QUARTER	SWITCHES							
CAPPING (CONV)	STG COL COWL							
REAR QUARTER	TRUNK SEAL							
- CASING	RETAINER							
- ARMREST	FACIA VENTS							
- CENTRE PANEL	(CENTRE/OUTER)							
A POST LOWER	DOOR KICK PANEL							
CENTRE CONSOLE	LOWER A POST							
- TOP/SIDE/LID								
- CUPHOLDER LID								
GLOVEBOX HANDLE								
ASPIRATOR VENTS								
HOOD STOWAGE COVER								
SEAT SWITCH PACK								
HANDBRAKE GAITER								
UNDERSCUTTLES								
COATHOOK								

TRIM COLOUR COMBINATION CHART - SPORTS

OVERALL INTERIOR COLOUR DESCRIPTION	LOWER TRIM	SEATING	FACIA GEARSHIFT ASSEMBLY/STEERING WHEEL	SEATBELTS	INTERIOR TRIM UPPER	PARCEL SHELF	CARPETS	FLANGE FINISHER	BOOT TRIM
OATMEAL	WARM CHARCOAL	OATMEAL	WARM CHARCOAL	WARM CHARCOAL	NIMBUS GREY	WARM CHARCOAL	FLINT	WARM CHARCOAL	FLINT
WARM CHARCOAL	WARM CHARCOAL	WARM CHARCOAL	WARM CHARCOAL	WARM CHARCOAL	NIMBUS GREY	WARM CHARCOAL	FLINT	WARM CHARCOAL	FLINT
CREAM	WARM CHARCOAL	CREAM	WARM CHARCOAL	WARM CHARCOAL	NIMBUS GREY	WARM CHARCOAL	FLINT	WARM CHARCOAL	FLINT
IVORY	WARM CHARCOAL	IVORY	WARM CHARCOAL	WARM CHARCOAL	NIMBUS GREY	WARM CHARCOAL	FLINT	WARM CHARCOAL	FLINT

INT. TRIM LOWER/SEATS	SEATS	FACIA	SEATBELTS	INTERIOR TRIM UPPER	PARCEL SHELF	CARPETS	FLANGE FINISHER	BOOT TRIM	
DOOR CASING DOOR KICK PANEL RR QUARTER CAPPING (CONV) REAR QUARTER - CASING A POST LOWER GLOVEBOX HANDLE ASPIRATOR VENTS HOOD STOWAGE COVER HANDBRAKE GAITER UNDERSCUTTLES CARPET BINDING REAR QUARTER - ARMREST (CPE) - CENTRE PANEL COATHOOK	FRONT SEATS (1) SQUAB TRIG. KNOB TRIG. ESCUTCHEON SEAT SWITCH PACK INT. MECHM COVER REAR SEATS DOOR CENTRE PANEL DOOR ARMREST CENTRE CONSOLE (1) - TOP/SIDE/LID - CUPHOLDER J GATE SURROUND SEATBELT BUCKLES	FACIA UPPER FACIA ENDS DEMIST VENTS SQUAWKER DOOR TOP ROLL STEERING WHEEL HANDBRAKE GRIP CHEATERS STOWAGE TRAY SWITCHES STG COL COWL TRUNK SEAL RETAINER FACIA VENTS (CENTRE/OUTER)	SEATBELT RUNNING LOOP SEATBELTS FRT/RR ADJUSTER KNO	A POST UPPER HEADER SUNVISORS & FIXINGS HEADLINING AIR EXT. VENTS	PARCEL SHELF (CPE) SUB WOOFER COVER HMSL COVER (COUPE)	HEEL MATS HOOD CONTAINER (CONV)		HOOD STOWAGE BAG BOOT BOARD BOOT FIXINGS	
				NOTES:					
				(1) SEATS & CENTRE CONSOLE/LID TAKES W/CHARCOAL STITCHING					

HOOD COLOUR WITH EXTERIOR & INTERIOR COMBINATIONS UP TO 99 MY

TRIM	BODY COLOUR													
	TOPAZ (820)	ICE BLUE (821)	TITANIUM (810)	SPINDRIFT WHITE 96 (732)	BRITISH RACING GREEN (753)	ANTHRACITE (859)	AQUA MARINE (839)	SHERWOOD (835)	ANTIGUA (840)	CARNIVAL (811)	SAPPHIRE (806)	AMARANTH	METEORITE	PHOENIX RED
OATMEAL (AGD)	STONE	BLUE	BLUE	STONE	-	BLACK	-	BLACK	BLUE	STONE	BLUE	BLACK	BLACK	STONE
CHARCOAL (LEG)	BLACK	BLACK	BLACK	BLACK	GREEN	BLACK	GREEN/ BLACK	BLACK	BLACK	BLACK	BLACK	BLACK	BLACK	BLACK
CREAM (NDR)	STONE	BLUE	BLUE	STONE	GREEN	BLACK/ STONE	GREEN/ BLACK	STONE	STONE	STONE	BLUE	-	-	-
TEAL (HDX)	-	-	-	GREEN	GREEN	BLACK	GREEN/ BLACK	-	-	-	-	BLACK	BLACK	-
COFFEE (SDC)	STONE	-	STONE	BEIGE	BEIGE	BLACK	BEIGE	BEIGE	BLUE	BEIGE	BLUE	-	-	-
IVORY (NED)	DARK BEIGE	-	-	DARK BEIGE	GREEN	DARK BEIGE	-	DARK BEIGE	DARK BEIGE	DARK BEIGE	-	BLACK	BLACK	BEIGE/ STONE
CASHMERE (SDV)	DARK BEIGE	-	-	DARK BEIGE	DARK BEIGE	BLACK	DARK BEIGE	DARK BEIGE	BLUE	DARK BEIGE	BLUE	BLACK	BLACK	DARK BEIGE

BODY COLOUR

FRONT/REAR BUMPER
NUMBER PLATE
FINISHER
RUBBING STRIPS
MIRROR CAPS

ADDITIONAL COLOURED PARTS

GREY

MIRROR FOOT
GLASSHOUSE
MOULDINGS
WAIST RAIL
PLENIUM

CHROME

SPLITTER VANE
EXT DOOR HANDLES (N. AMERICA ONLY)

HOOD COLOUR WITH EXTERIOR & INTERIOR COMBINATIONS FROM 99 Model Year

	BODY COLOUR										
	TOPAZ (820)	SPINDRIFT WHITE 96 (732)	BRITISH RACING GREEN (753)	ANTHRACITE (859)	ANTIGUA (840)	CARNIVAL (811)	SAPPHIRE (806)	AMARANTH	METEORITE	PHOENIX RED	Alpine
TRIM											
OATMEAL (AGD)	STONE	STONE	-	BLACK	BLUE	STONE	BLUE	BLACK	BLACK	STONE	BLACK
CHARCOAL (LEG)	BLACK	BLACK	GREEN	BLACK	BLACK	BLACK	BLACK	BLACK	BLACK	BLACK	BLACK
TEAL (HDX)	-	GREEN	GREEN	BLACK	-	-	-	BLACK	BLACK	-	
IVORY (NED)	DARK BEIGE	DARK BEIGE	GREEN	DARK BEIGE	DARK BEIGE	DARK BEIGE	-	BLACK	BLACK	BEIGE/ STONE	
CASHMERE (SDV)	DARK BEIGE	DARK BEIGE	DARK BEIGE	BLACK	BLUE	DARK BEIGE	BLUE	BLACK	BLACK	DARK BEIGE	DARK BEIGE

BODY COLOUR

FRONT/REAR BUMPER
NUMBER PLATE
FINISHER
RUBBING STRIPS
MIRROR CAPS

ADDITIONAL COLOURED PARTS

GREY
MIRROR FOOT
WAIST RAIL
PLENIUM

CHROME

SPLITTER VANE
EXT DOOR HANDLES (N. AMERICA ONLY)

IP1256

LOCKING FREQUENCY REGIONS

Region 1 (315 mhz Low)

Japan, South Korea

Region 2 (315 mhz High)

Canada, Mexico, USA, Argentina, Bahrain, Brazil, Chile, China, Egypt, Hong Kong, Indonesia, Jordan, Kuwait, Lebanon, Malaysia, Morocco, Oman, Panama, Paraguay, Philippines, Qatar, Saudi Arabia, Singapore, South Africa, Sri Lanka, Syria, Taiwan, Thailand, Vietnam, UAE, Bahm, Dubai, Abud, Dominican Republic

Region 3 (433 mhz)

Belgium, France, Holland, Luxembourg, UK, Austria, Bulgaria, Canaries, Croatia, Cyprus, Denmark, Eire, Finland, Germany, Gibraltar, Greece, Hungary, Iceland, Israel, Italy, Malta, Norway, Poland, Portugal, Romania, Russia, Serbia, Slovakia, Spain, Sweden, Switzerland, Turkey, Australia, New Zealand