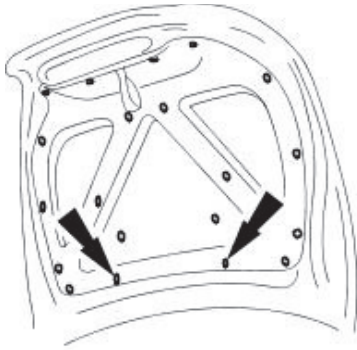


## Body Closures - Luggage Compartment Lid

Removal and Installation

### Removal

1. Remove battery cover and disconnect ground cable from battery terminal. Refer to 86.15.19.
2. Remove and discard the twenty fasteners securing insulation pad to trunk lid and remove insulation pad.



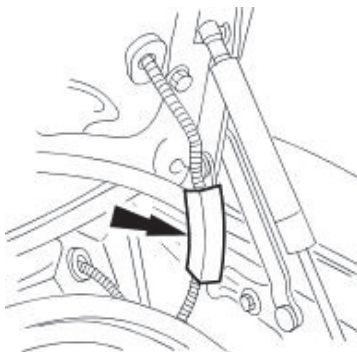
E35758

3. Remove trunk lid wiring harness.
4. Remove rear number plate lamp assembly.
5. Release rubber grommet from trunk aperture and pass rear harness and multiplug through aperture.



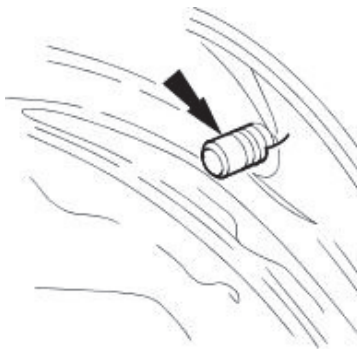
E35759

6. Position rear harness to trunk hinge shield for access.



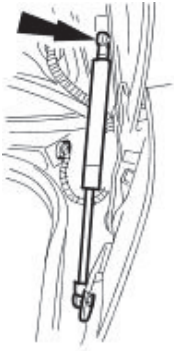
E35760

7. Remove trunk lid rubber stops.



E35761

8. Fit supports to trunk lid.



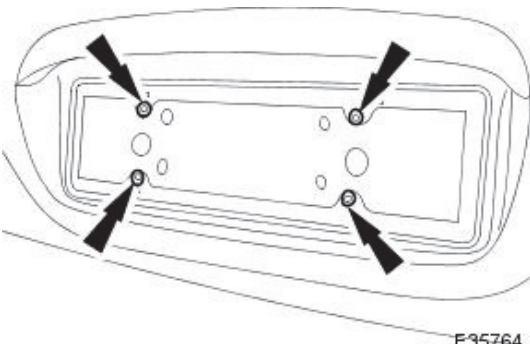
E35762

9. Release gas support struts from trunk lid pivots.



E35763

10. With assistance to prevent trunk lid from moving, slacken and remove bolts securing hinges to trunk lid.



E35764

11. Remove trunk lid from vehicle.
12. Slacken and remove number plate securing screws and remove number plate from mounting bracket.
13. Drill out rivets securing number plate mounting bracket to trunk lid.

## Installation

1. Position number plate mounting bracket on trunk lid and secure with new rivets.
2. Position number plate on mounting bracket and fit and tighten securing screws.
3. With assistance, position trunk lid on vehicle and fit but do not tighten lid to hinge securing bolts.
4. Check and as necessary adjust trunk lid alignment. Refer to 76.19.03.
5. Fit rubber stops to trunk lid.
6. Reposition rear harness to trunk lid hinge shield.
7. Pass rear harness and multiplug through trunk aperture and rubber grommet and seat grommet in aperture.
8. Install harness in trunk lid.
9. Fit rear number plate lamp assembly. Refer to 86.40.86.
10. Position insulation pad on trunk lid underside and secure with twenty new fasteners.
11. Connect ground cable to battery terminal and fit battery cover. Refer to 86.15.15.

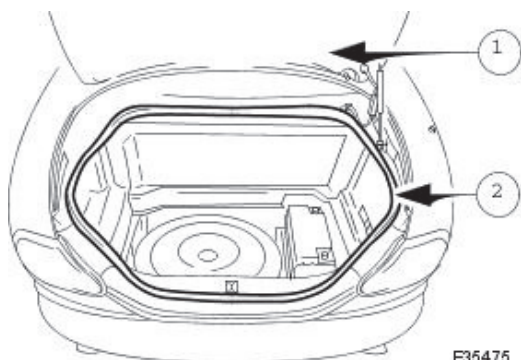
## Body Closures - Luggage Compartment Lid Opening Weatherstrip

Removal and Installation

### Removal

#### 1. Remove trunk lid seal.

1. Open trunk lid.
2. Starting at front of trunk aperture, withdraw seal from flange exercising care on reaching bonded joint at rear.

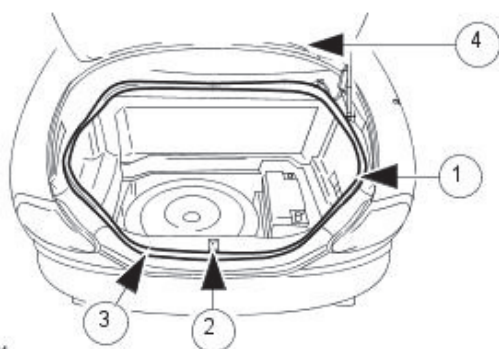


E35475

### Installation

#### 1. Fit trunk lid seal.

1. Ensure that trunk flange is clean and free from oil or grease.
2. Position seal with bonded joint adjacent to trunk latch.
3. Commencing at bonded joint, fit and fully seat seal onto trunk flange, guiding it between rear trunk trim and rear panel. Leave radius 3 until last, then stretch to tension in position.
4. Check that trunk lid closes correctly.



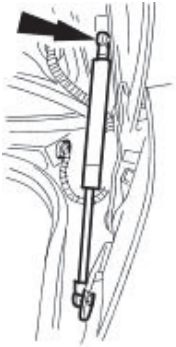
E36104

## Body Closures - Luggage Compartment Lid Strut

Removal and Installation

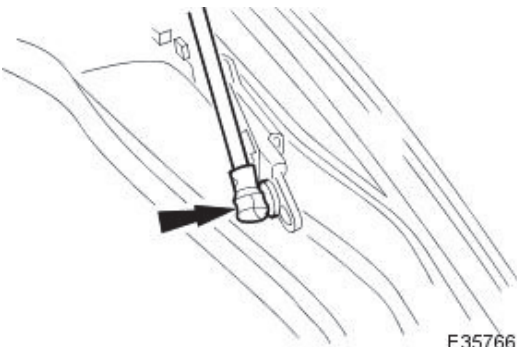
### Removal

1. Open trunk lid and fit a suitable temporary support under.
2. Release strut upper retaining clip and remove strut from trunk lid pivot.



E35762

3. Release strut lower retaining clip, remove strut from trunk pivot and remove strut from trunk.



E35766

### Installation

1. Fit strut lower end to trunk pivot ensuring that retaining clip fully seats.
2. Extend strut and fit upper end to trunk lid pivot ensuring that retaining clip fully seats.
3. Remove temporary support and check that trunk lid closes satisfactorily.