

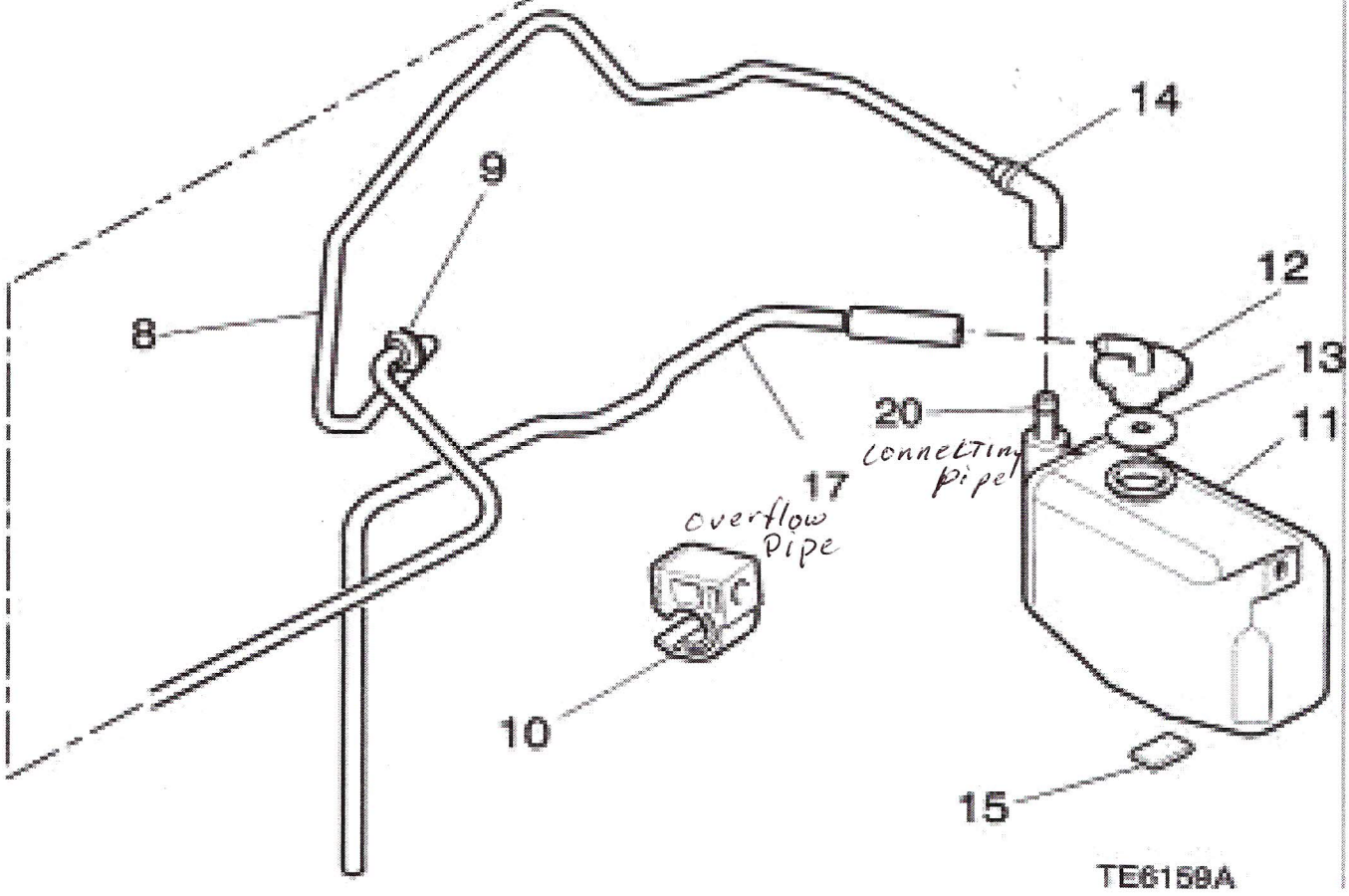


| | |
|---|--|
|  | USE ONLY LONG LIFE ENGINE COOLANT PER MERCEDES-BENZ SPECIFICATIONS |
|  | UTILISER SEULEMENT FLUIDE DE REFROIDISSEMENT A LONGUE DURÉE VIE - MERCEDES-BENZ SPECIFICATIONS |



XK8 Coupe/Convertible - Canada/USA up to (V) 042775/ENGINE COOLING SYSTEM/EXPANSION TANK ▼

EXPANSION TANK AND RECOVERY BOTTLE   

| No | | Description | Price \$ | Qty | |
|----|---|-----------------------------|----------|-----|--|
| 0 | + | (Unillustrated Parts) | | | |
| 1 | + | Coolant reservoir | | | |
| 2 | + | Pressure cap | | | |
| 3 | + | Hexagonal flange nut | | | |
| 4 | + | Fluid level sensor | | | |
| 5 | + | Mounting bracket | | | |
| 6 | + | Grommet | | | |
| 7 | + | Bleed hose | | | |
| 8 | + | Expansion hose | | | |
| 9 | + | Grommet | | | |
| 10 | + | Cable clip | | | |
| 11 | + | Atmospheric recovery bottle | | | |
| 12 | + | Bottle cap | | | |
| 13 | + | Reservoir seal | | | |
| 14 | + | Clip | | | |
| 15 | + | Insulation pad | | | |
| 16 | + | Bleed hose | | | |