

## Thermostat Vehicles With: Supercharger 26.45.07

Removal 

**WARNING:**

**NEVER REMOVE THE COOLANT PRESSURE CAP UNDER ANY CIRCUMSTANCES WHILE THE ENGINE IS OPERATING. FAILURE TO FOLLOW THIS INSTRUCTION MAY RESULT IN PERSONAL INJURY.**

**TO AVOID HAVING SCALDING HOT COOLANT OR STEAM BLOW OUT OF THE COOLING SYSTEM, USE EXTREME CARE WHEN REMOVING THE COOLANT PRESSURE CAP FROM A HOT COOLING SYSTEM. WAIT UNTIL THE ENGINE HAS COOLED, THEN WRAP A THICK CLOTH AROUND THE COOLANT PRESSURE CAP AND TURN IT SLOWLY UNTIL THE PRESSURE BEGINS TO RELEASE. STEP BACK WHILE THE PRESSURE IS RELEASED FROM THE SYSTEM. WHEN CERTAIN ALL THE PRESSURE HAS BEEN RELEASED (STILL WITH A CLOTH) TURN AND REMOVE THE COOLANT PRESSURE CAP FROM THE COOLANT EXPANSION TANK. FAILURE TO FOLLOW THESE INSTRUCTIONS MAY RESULT IN PERSONAL INJURY.**



**WARNING:**

**TO AVOID THE POSSIBILITY OF PERSONAL INJURY, DO NOT OPERATE THE ENGINE WITH THE HOOD OPEN UNTIL THE FAN BLADES HAVE BEEN EXAMINED FOR CRACKS AND SEPARATION. FAILURE TO FOLLOW THIS INSTRUCTION MAY RESULT IN PERSONAL INJURY.**



**WARNING:**

**REMOVE FUSE 14 FROM THE ENGINE MANAGEMENT FUSE BOX PRIOR TO PERFORMING ANY UNDER HOOD SERVICE IN THE AREA OF THE COOLING FAN WHEN THE ENGINE IS HOT, SINCE THE COOLING FAN MOTOR COULD OPERATE IF THE ENGINE HAS BEEN SWITCHED OFF. FAILURE TO FOLLOW THIS INSTRUCTION MAY RESULT IN PERSONAL INJURY.**

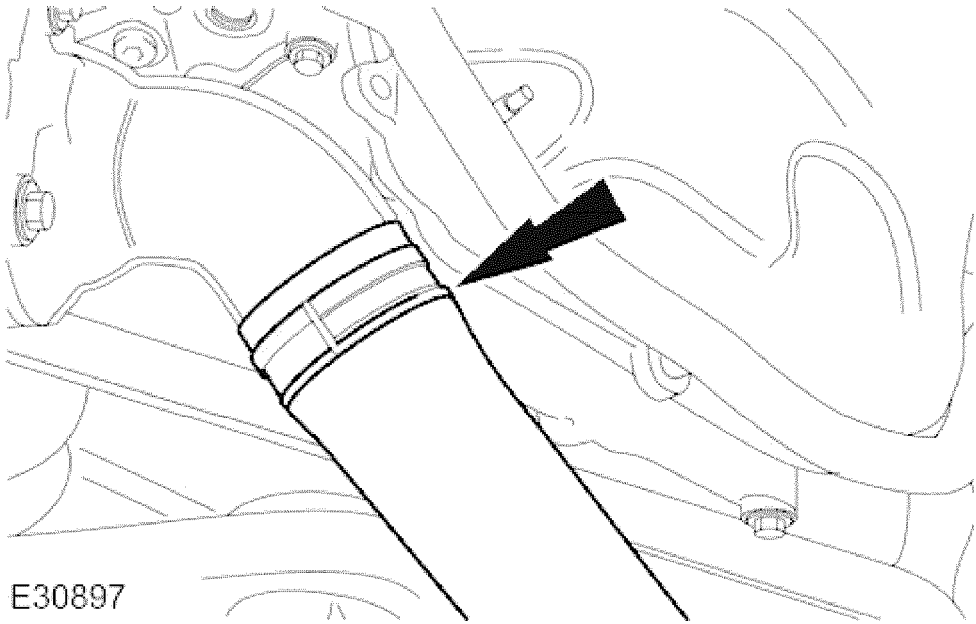


**CAUTION:**

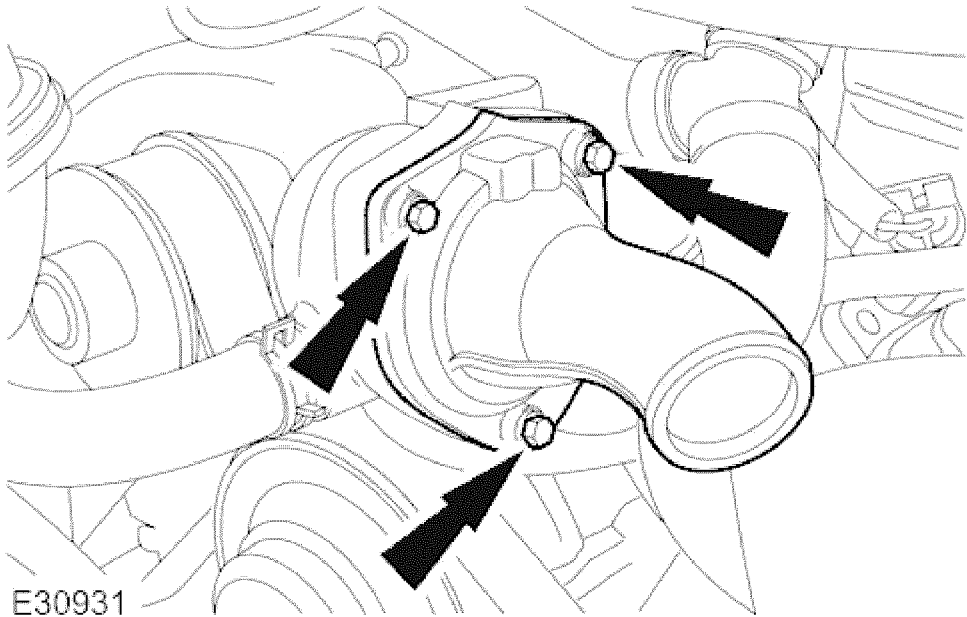
**The engine cooling system must be maintained with the correct concentration and type of anti-freeze solution to prevent corrosion and frost damage. Failure to follow this instruction may cause damage to the vehicle.**

1. Drain the cooling system.
2. Lower the vehicle.

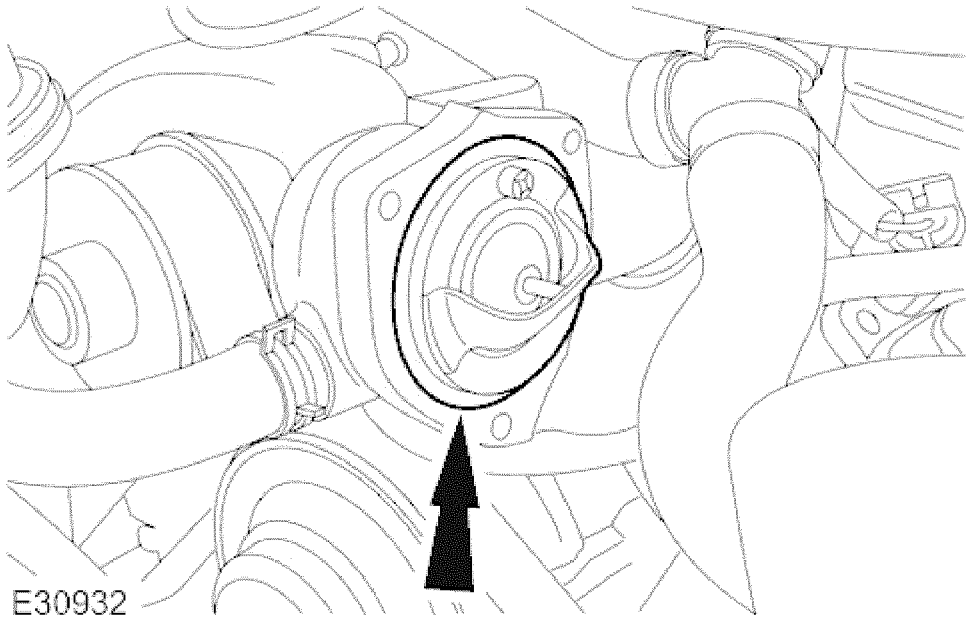
**2004 XK RANGE - Engine Cooling - 303-03A**



E30897  
3. Detach the coolant hose hose.



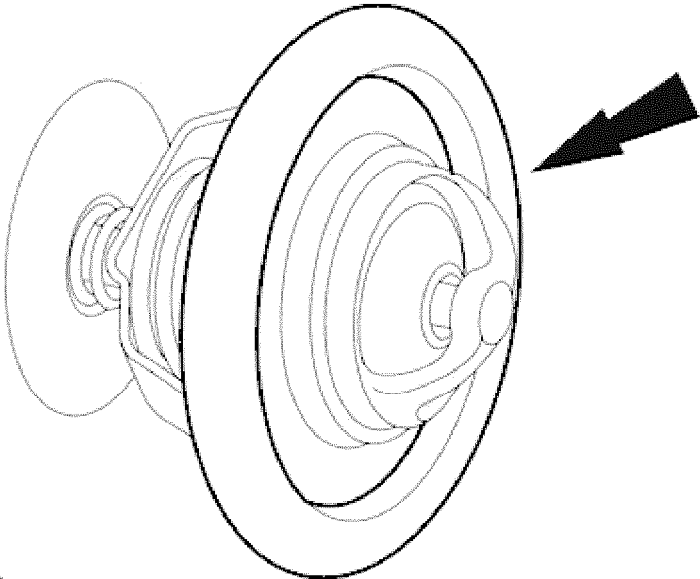
E30931  
4. Remove the thermostat housing cover.



E30932

- 5. Remove the thermostat.
  - Remove and discard the O-ring seal.

**Installation**

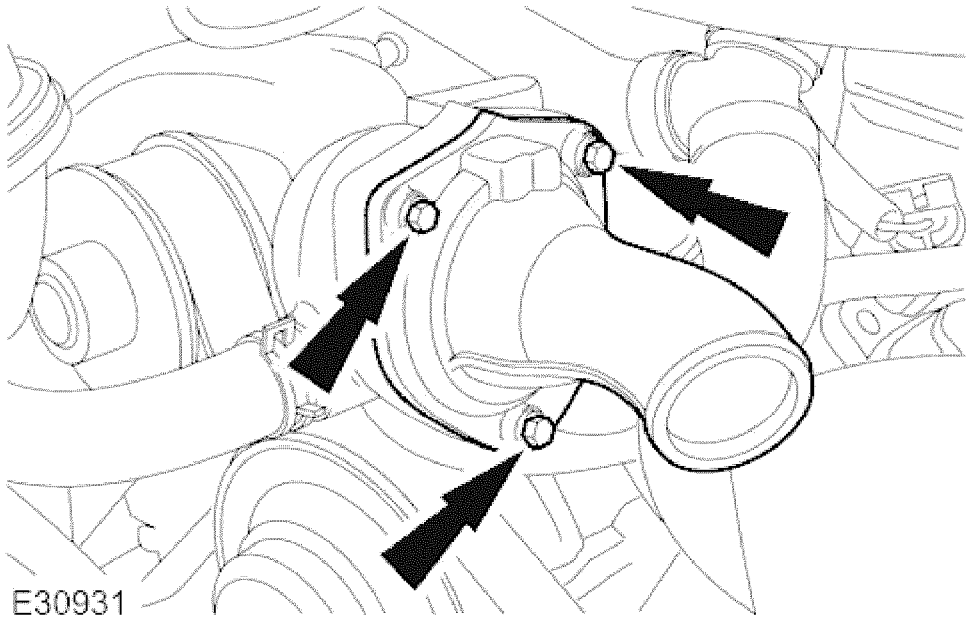


VUJ0000172

- 1.  **CAUTION:**  
Make sure the thermostat bypass valve is at the 12 O'clock position.

- To install, reverse the removal procedure.
  - Install a new O-ring seal.

2004 XK RANGE - Engine Cooling - 303-03A



E30931

2. Tighten to 9 Nm.

3. Fill the cooling system.