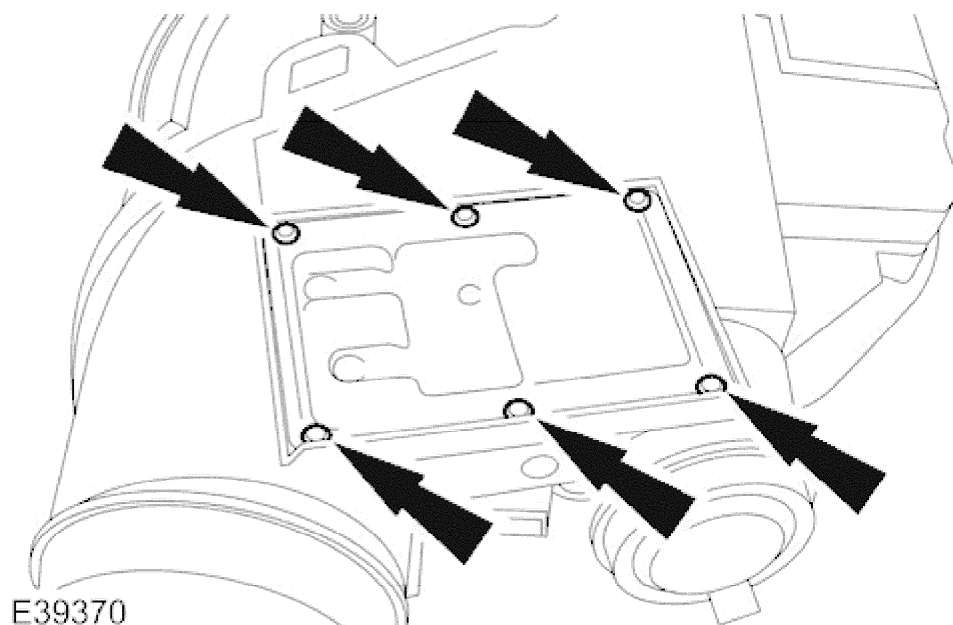


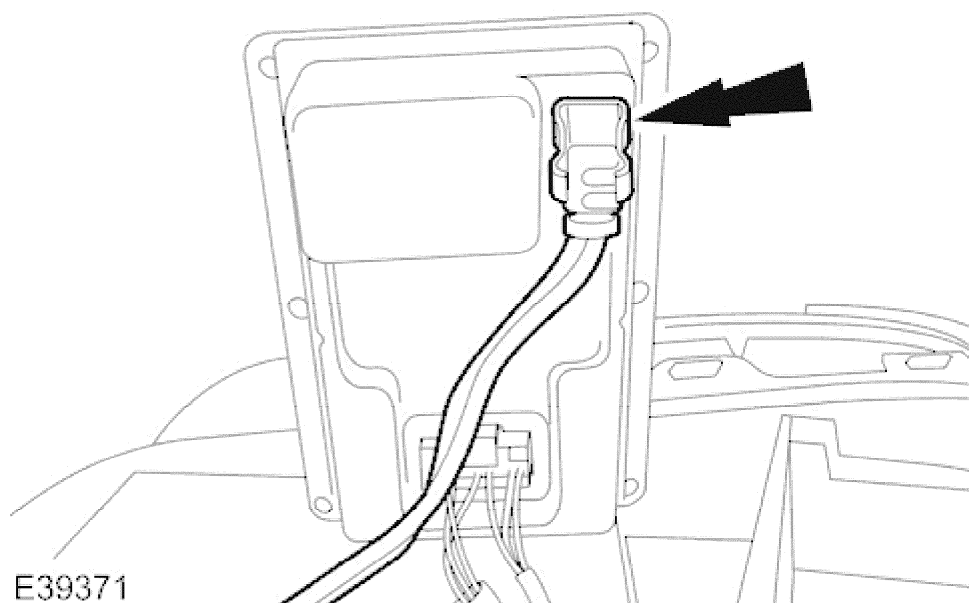
**Ballast Vehicles With: High Intensity Discharge Headlamps 86.41.52**

**Removal**

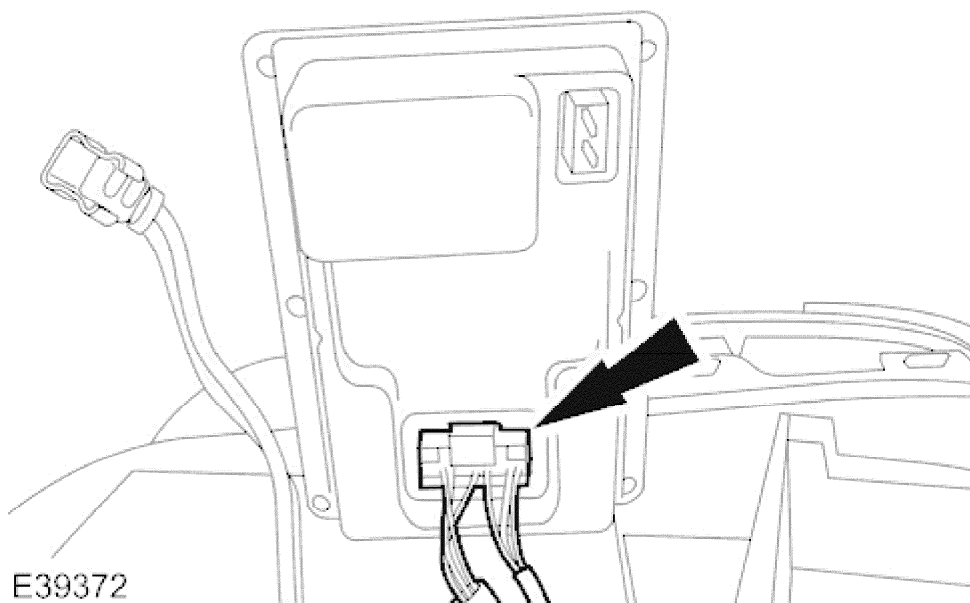
1. Remove the headlamp assembly. <<Headlamp Assembly - >>



2. Remove the ballast retaining screws.



3. Disconnect the low beam headlamp electrical connector.



E39372

4. Remove the ballast.
  - Disconnect the ballast electrical connector.

## Installation

1. **NOTE:**  
Make sure that the ballast gasket is correctly installed.

To install, reverse the removal procedure.