

Fuel Injectors Vehicles With: Supercharger 18.10.02

Removal

1. Disconnect battery ground cable (IMPORTANT, see SRO <<86.15.19>> for further information).



WARNING:

BEFORE PROCEEDING, IT IS ESSENTIAL THAT THE WARNING NOTES GIVEN IN SECTION <<100-00>> (UNDER THE HEADING 'SAFETY PRECAUTIONS') ARE READ AND UNDERSTOOD.

Depressurize fuel system; refer to <<19.50.02>>.

3. Drain radiator coolant; refer to 26.10.01.

4. Remove air cleaner cover / intake assembly; refer 19.10.30.

5. Remove throttle body; refer to <<19.70.04>>.

6. Remove throttle induction elbow; refer to (SC) <<19.70.28>>.

7. Remove exhaust gas re-circulation valve (EGR) if fitted; refer to <<17.45.01>>.

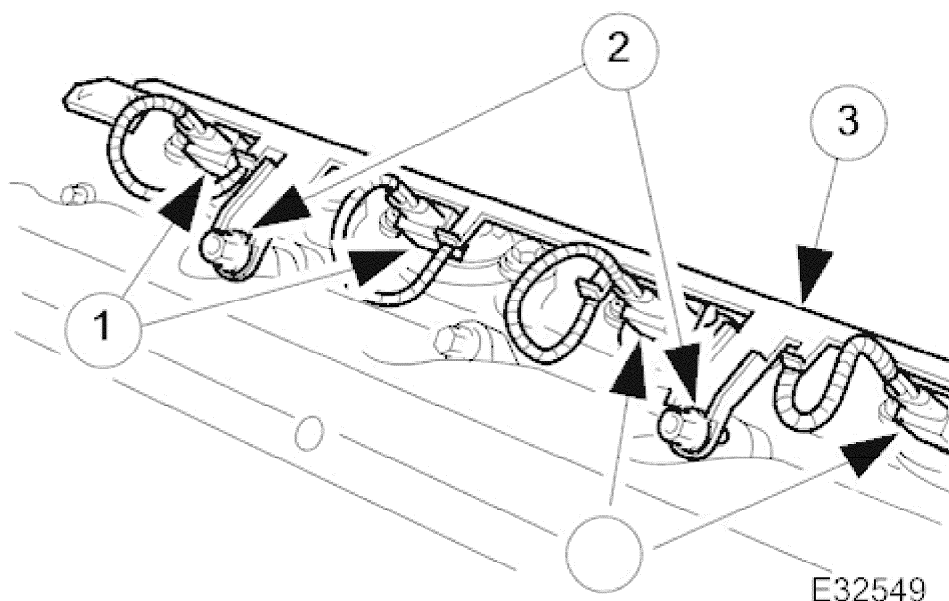
8. Remove supercharger outlet duct and gasket; refer to <<18.50.16>>.

9. Remove coolant outlet pipe; refer to (SC) 26.31.08 .

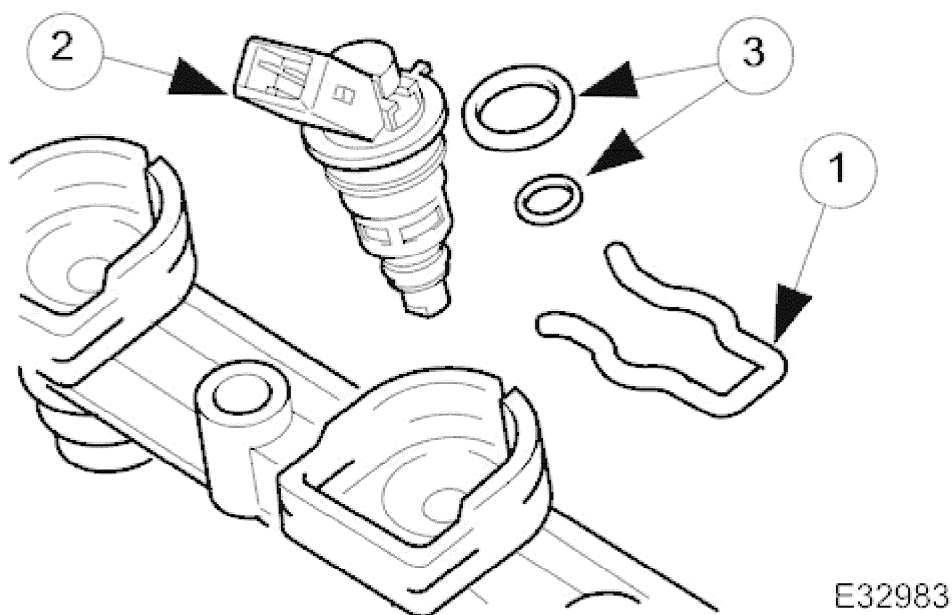
10. Remove supercharger drive belt; refer to <<18.50.08>>.


11. Remove supercharger assembly; refer to <<18.50.15>>.

12. Remove bank 1 or 2 charge air cooler as required; refer to <<18.50.18>> and / or <<18.50.19>>.



13. Disconnect fuel injector harness.
1. Disconnect injector connectors.
 2. Loosen two nuts which secure harness to camshaft cover.
 3. Reposition harness to allow access to injectors.



14.  **CAUTION:**
Take care to avoid dropping any objects or foreign matter into induction manifold with the fuel injectors removed.

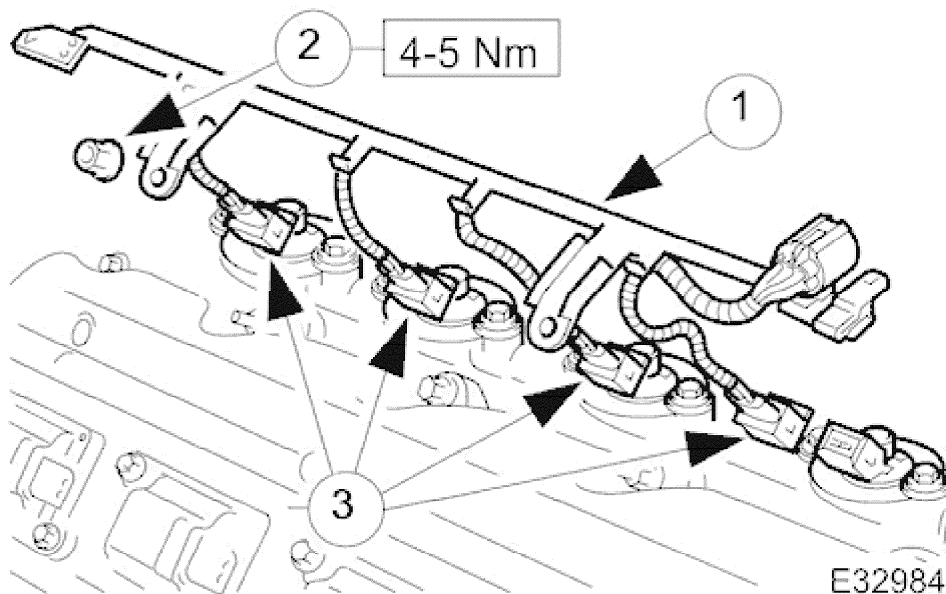
- Remove fuel injector(s).
1. Prise out injector retaining clip, ensuring that it is not ejected and lost. Note orientation of the clip.
 2. Using a suitable implement, carefully lever injector from fuel rail.
 3. Discard injector O-rings.

15. Clean all mating faces.

2001 XK RANGE - Fuel Charging and Controls - 303-04

Installation

1. Install fuel injector(s).
 1. Install new O-rings, lubricated with petroleum jelly, to fuel injector.
 2. Install fuel injector into fuel rail. Press firmly until it is felt to click into place.
 3. Hold injector firmly down and fit injector securing clip in the correct orientation.



2. Connect fuel injector harness.
 1. Reposition harness.
 2. Tighten nuts which secure harness to camshaft cover.
 3. Re-connect injectors.
3. Install charge air cooler; refer to <<18.50.18>> and / or <<18.50.19>>.
4. Install supercharger assembly; refer to <<18.50.15>>.
5. Install supercharger drive belt; refer to <<18.50.08>>.
6. Install coolant outlet pipe; refer to 26.31.08.
7. Install throttle induction elbow; refer to <<19.70.28>>.
8. Install exhaust gas re-circulation valve (EGR) if applicable; refer to <<17.45.01>>.
9. Install throttle body; refer to <<19.70.04>>.
10. Install supercharger outlet duct; refer to <<18.50.16>>.
11. Install air cleaner cover / intake assembly; refer to 19.10.30.

2001 XK RANGE - Fuel Charging and Controls - 303-04

12. Refill cooling system; refer to (SC) 26.10.01 .

13. Reconnect battery ground cable (IMPORTANT, see SRO <<86.15.15>> for further information).