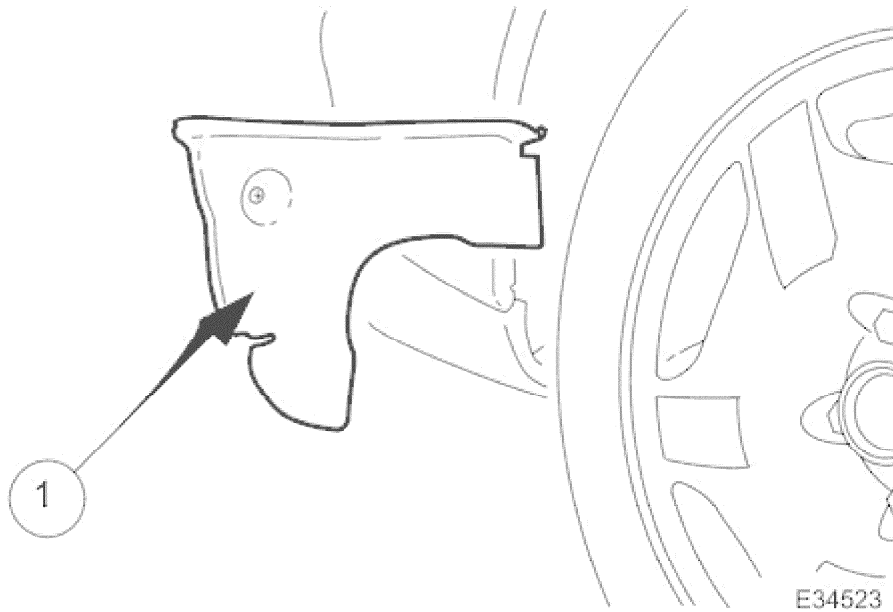


## Rear Bumper Cover 76.22.77

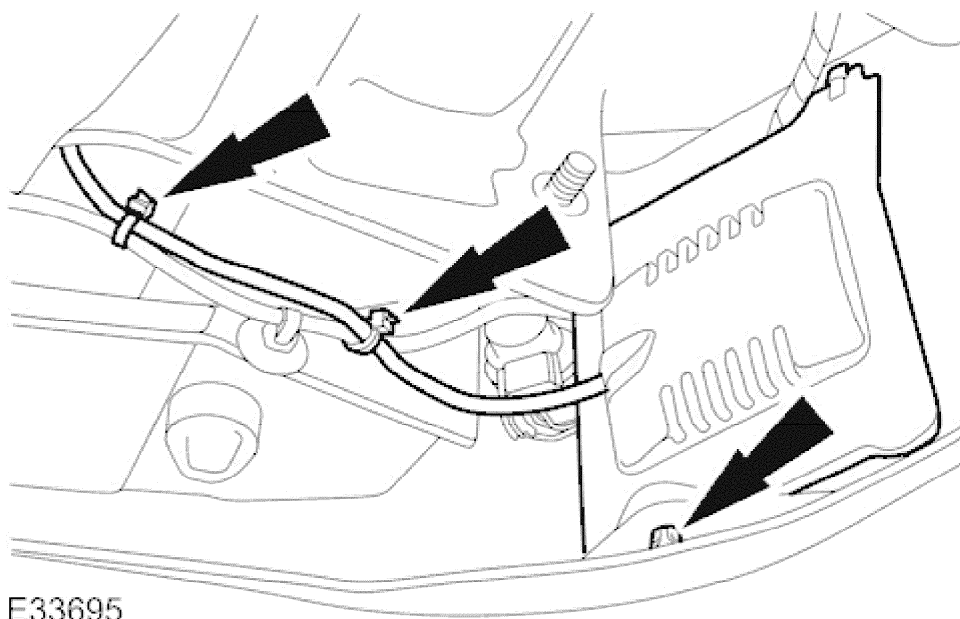
### Removal

1.  **WARNING:**  
**THE REAR BUMPER IS CLOSE TO THE EXHAUST PIPES WHICH MAY BE HOT. CARE MUST THEREFORE BE EXERCISED WHEN WORKING IN THIS VICINITY.**

Position vehicle on a 4-post ramp with handbrake on and raise ramp to working height.

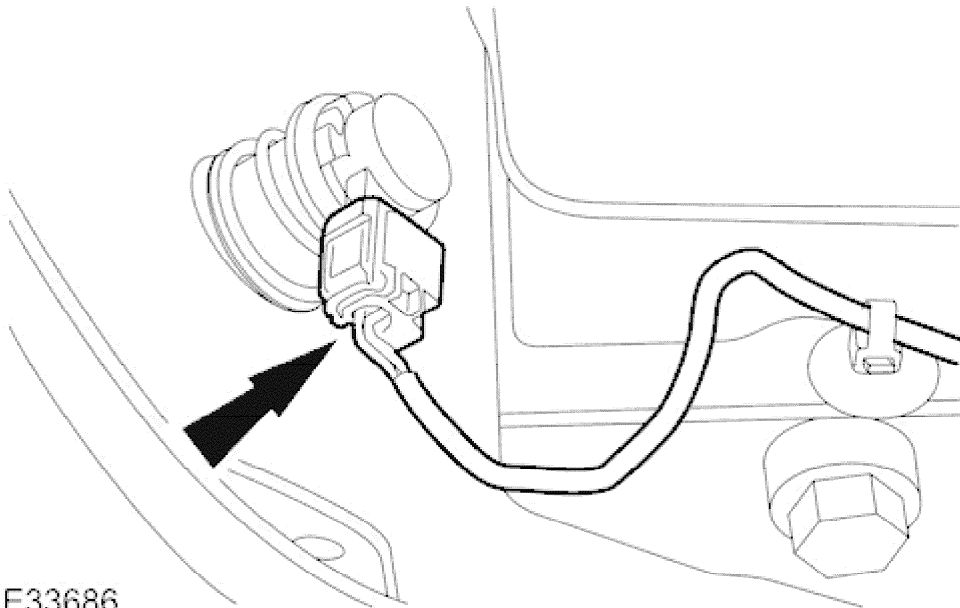


2. Remove rear wheel arch liners and side marker bulb holders.
  1. Slacken and remove rear wheel arch liner plastic nut and remove liner from wheel arch.
    - On N. American vehicles, rotate side marker bulb holder 1/4 turn, withdraw from lamp and ensure that leads are free from bumper.
    - Repeat operations on opposite side of vehicle.



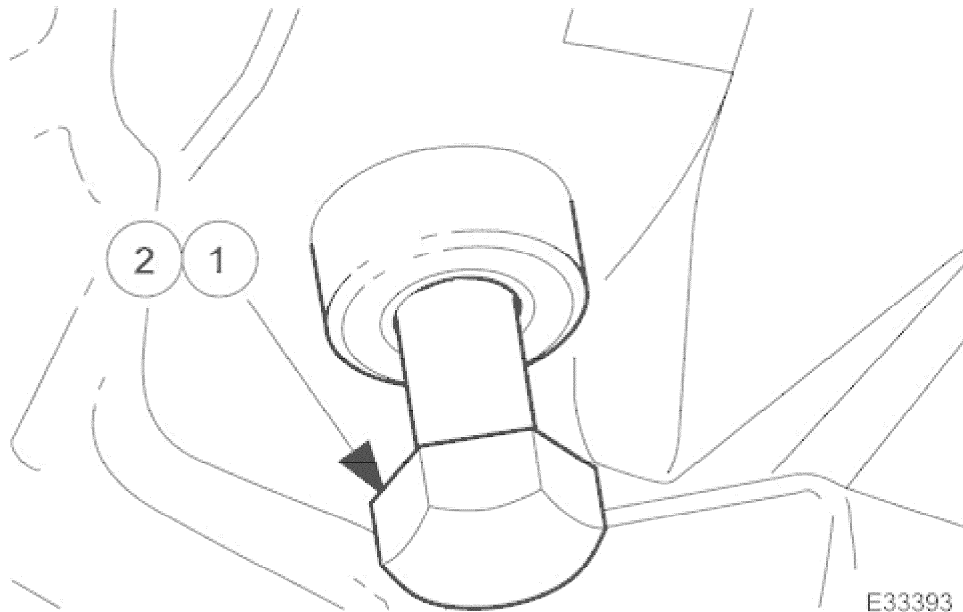
## 2001 XK RANGE - Bumpers - 501-19

3. Reposition the telephone antenna.
  - Remove and discard the retaining rivet.
  - Remove and discard the wiring harness tie wraps.



E33686

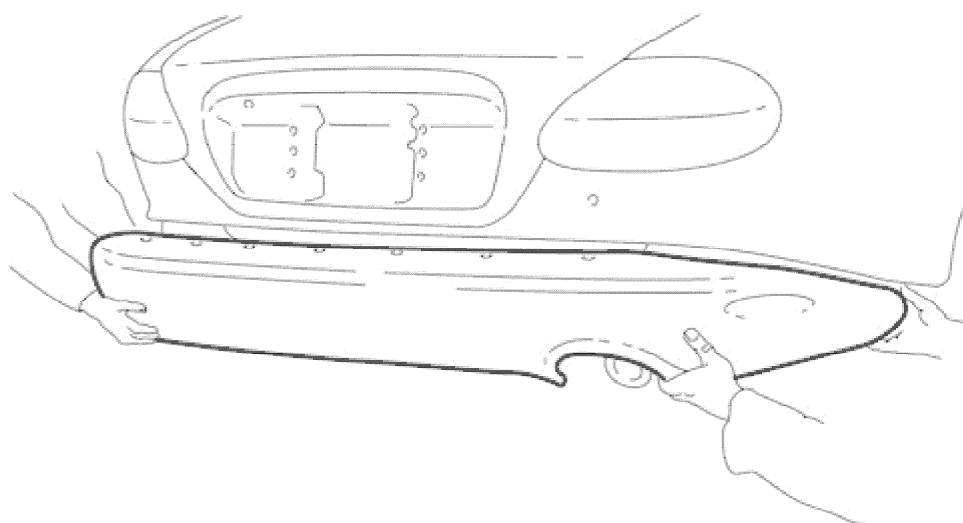
4. Disconnect the reversing aid electrical connectors.
  - One connector shown, remaining connectors similar.



E33393

5. Separate bumper from supports.
  1. Slacken and remove bolts securing beam to support brackets (menasco struts on N. American market vehicles).

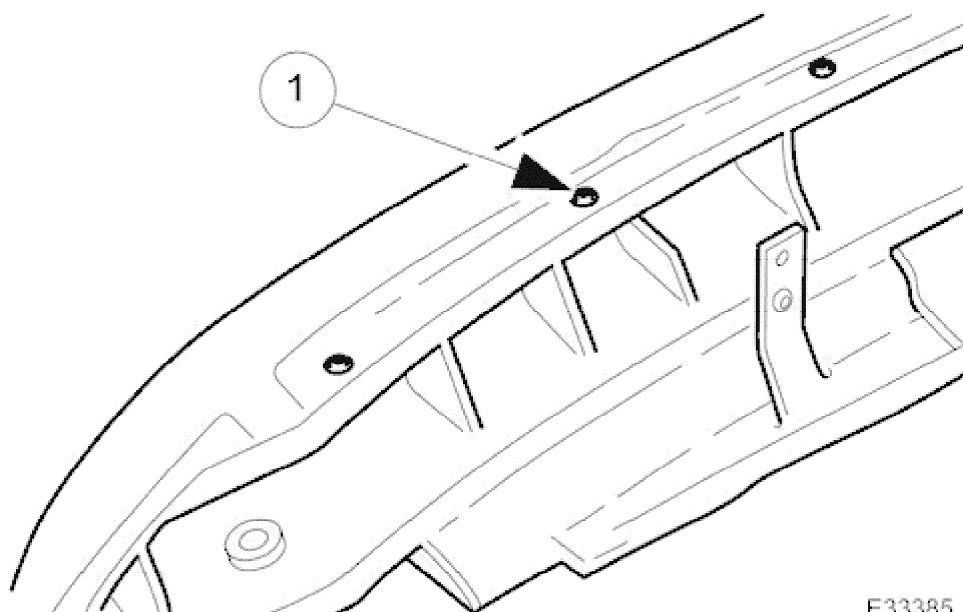
## 2001 XK RANGE - Bumpers - 501-19



E33386

### 6. Remove rear bumper from vehicle.

- With assistance, slide bumper assembly rearwards off guide blocks, holding it clear of the exhaust trims.



E33385

### 7. Remove bumper cover from beam.

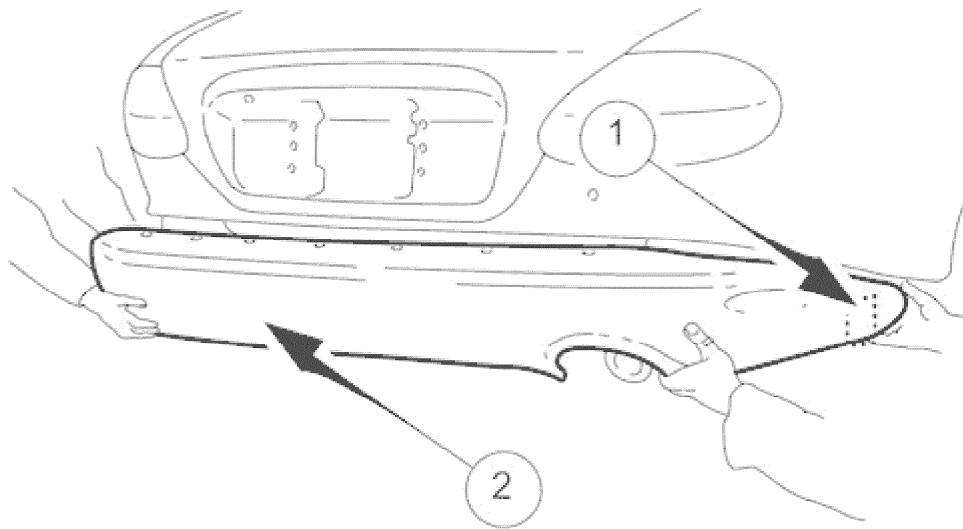
1. Position bumper for access to the nine cover to beam fasteners, displace and remove center pin from each fastener and remove and discard all fasteners.

## Installation

### 1. Fit cover to bumper beam.

- With assistance, position bumper beam in cover, aligning fastener locating holes.
- Fit nine new fasteners and center pins.

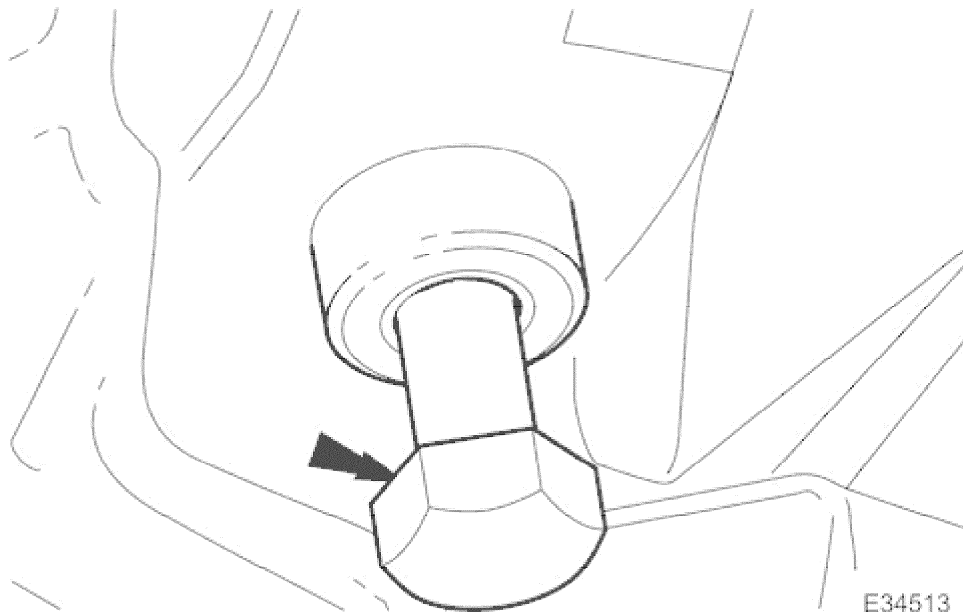
## 2001 XK RANGE - Bumpers - 501-19



E34499

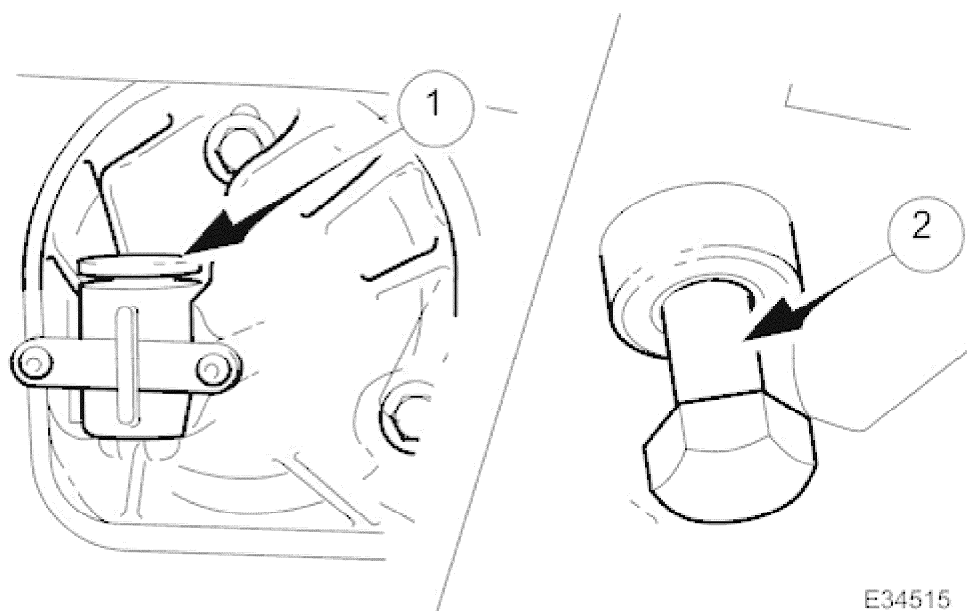
### 2. Position bumper on vehicle.

1. With assistance, align bumper cover side armatures with guide blocks.
2. Slide bumper assembly forward holding it clear of the exhaust trims.



E34513

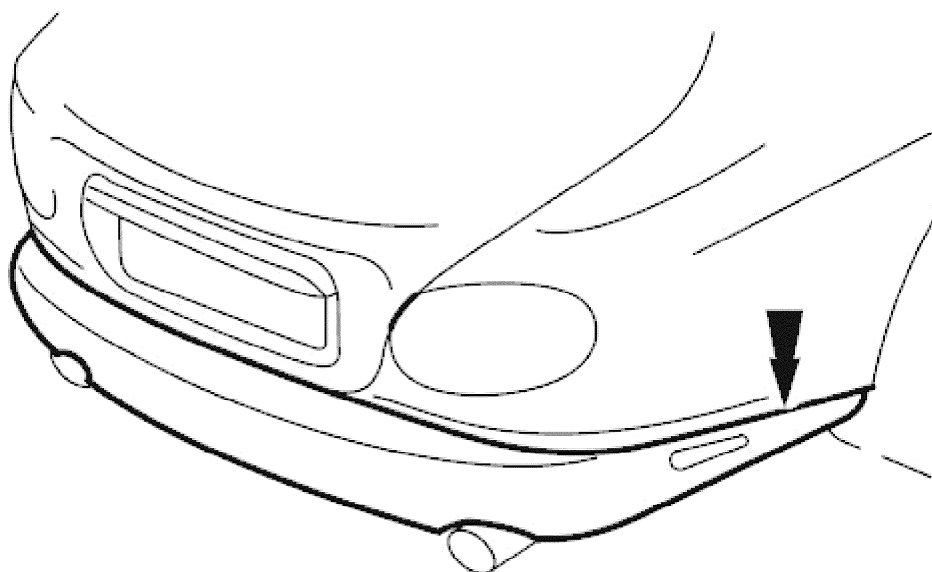
### 3. Fit and hand tighten beam securing bolts.



E34515

4. Adjust bumper to body clearance.

1. Rotate adjuster spacers to achieve required clearance between bumper and body rear upper panel.
2. Tighten beam securing bolts.



E34514

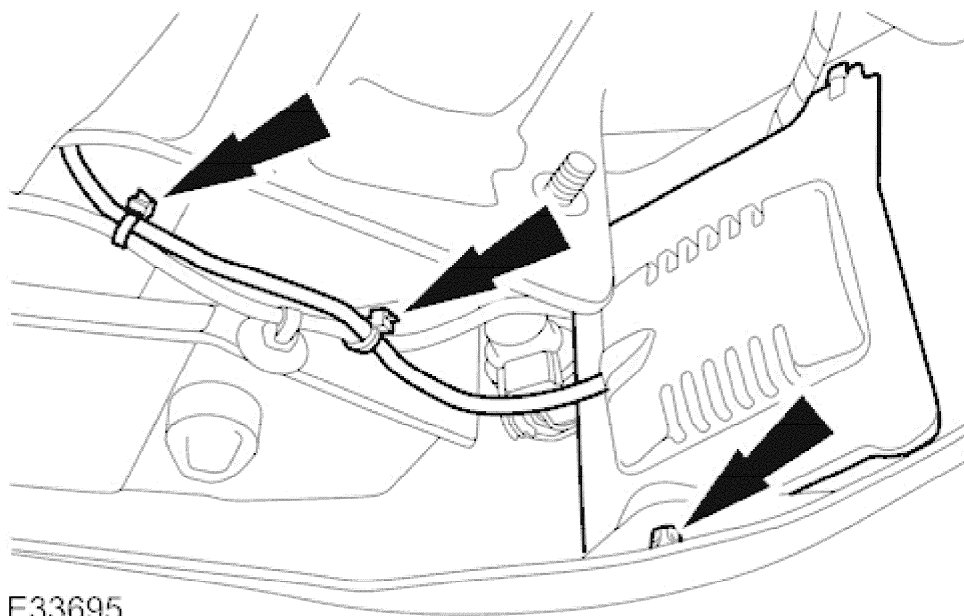
5. Check and adjust fender to bumper clearance.

1. Check clearance between lower rear fenders and bumper cover, and adjust to 4 to 6mm as necessary by slackening guide block securing nuts, positioning bumper and re-tightening nuts.

6. Fit wheel arch liners and side marker bulb holders.

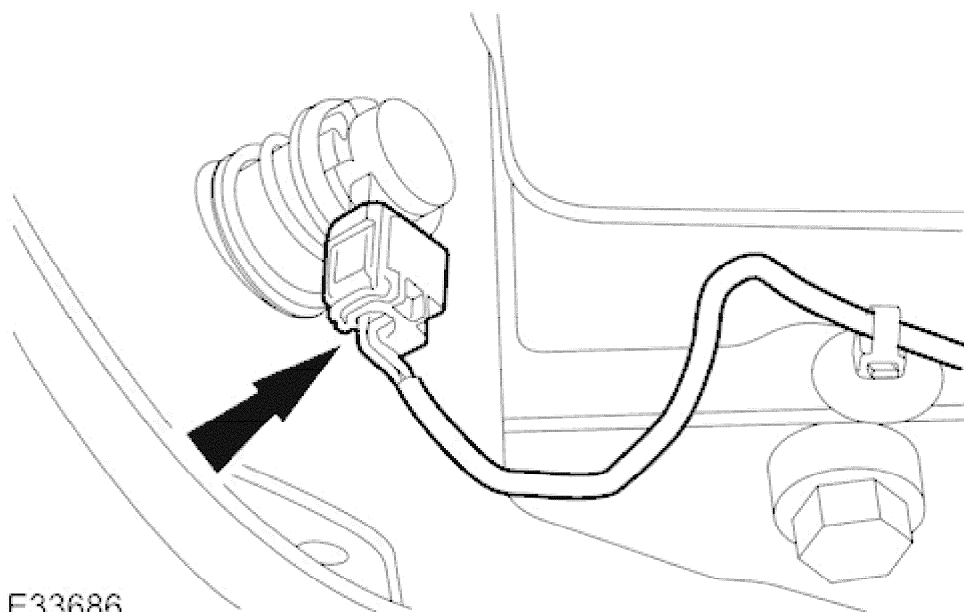
- Position rear wheel arch liner, fit securing nut and tighten.
- Fit bulb holder to side marker lamp and rotate 1/4 turn.
- Repeat on opposite side of vehicle.

## 2001 XK RANGE - Bumpers - 501-19



E33695

7. Fit the telephone antenna.
  - Fit new the retaining rivet.
  - Fit new wiring harness tie wraps.



E33686

8. Connect the reversing aid electrical connectors.
  - One connector shown, remaining connectors similar.
9. Lower the 4-post ramp.