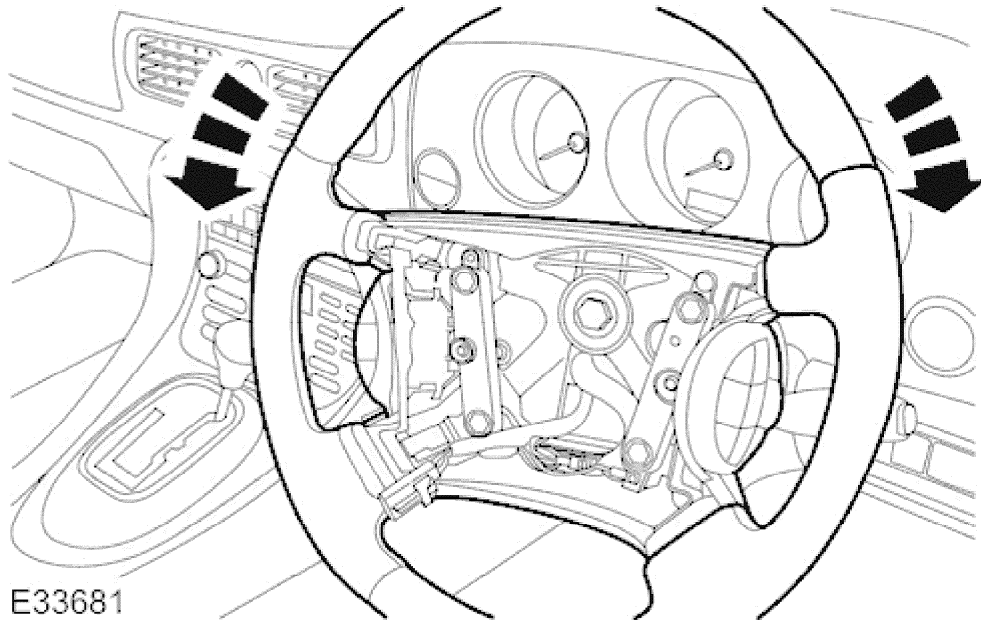


## Steering Wheel 57.60.01

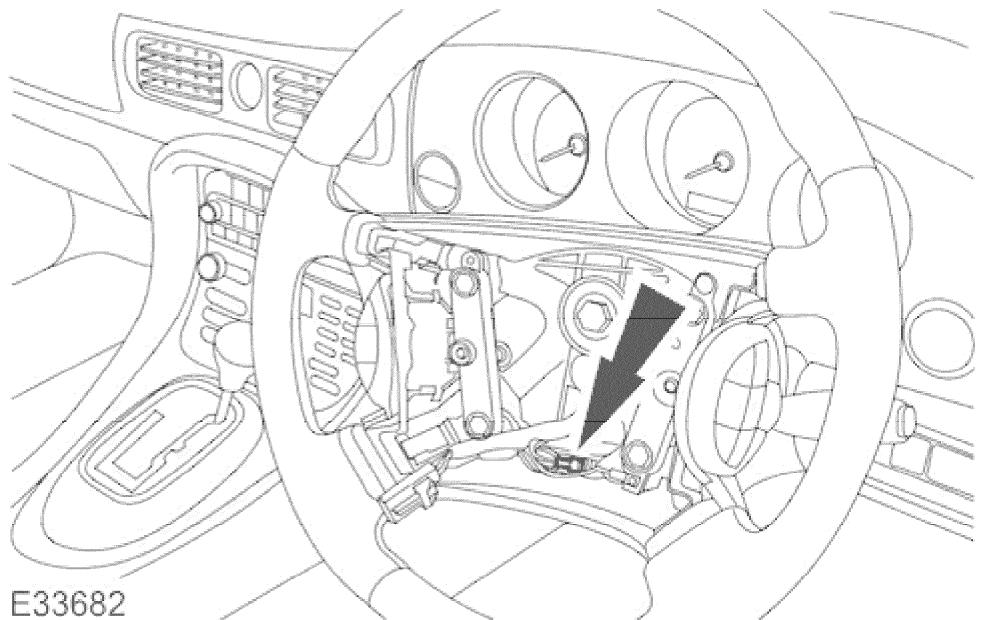
### Removal

1. Remove the driver air bag module. For additional information, refer to<<501-20A>><<501-20B>> .



E33681

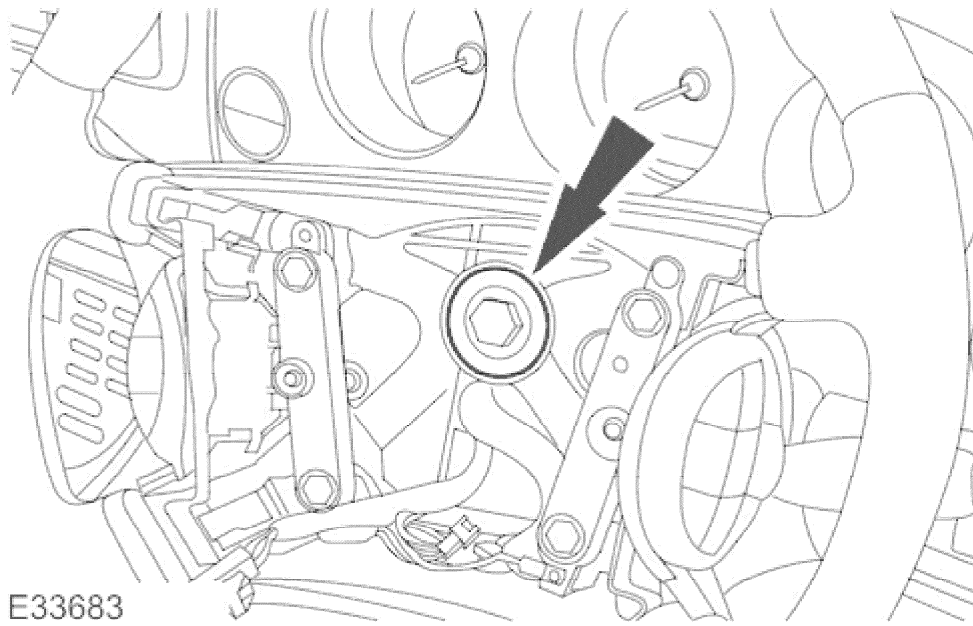
2. Centralize the steering wheel.



E33682

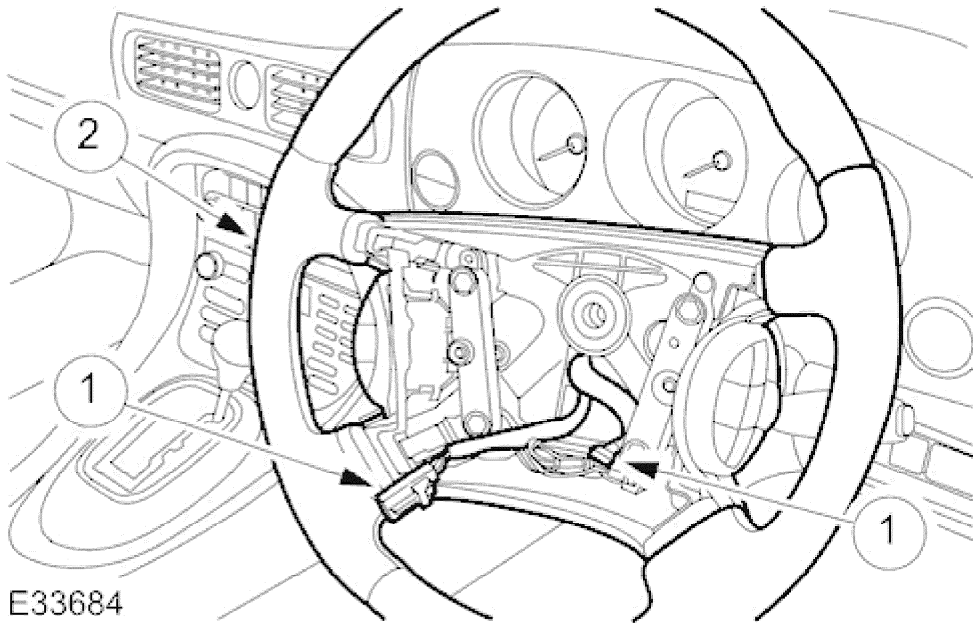
3. Detach and disconnect the switchpacks electrical connector.

## 1997 XK RANGE - Steering Column - 211-04



E33683

4. Detach the steering wheel.
  - Remove and discard the steering wheel retaining bolt.

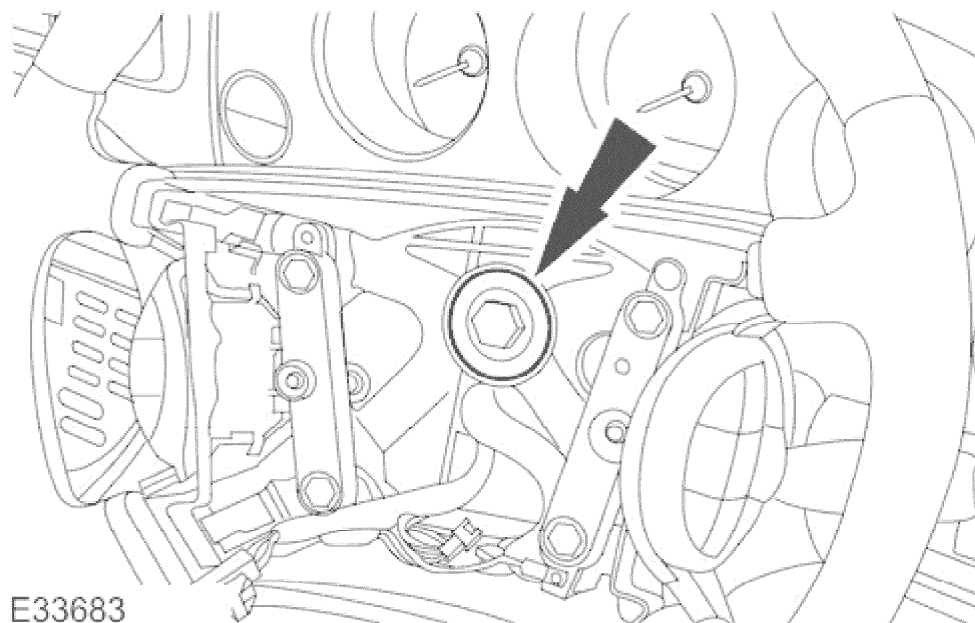


E33684

5. Remove the steering wheel.
  1. Guide the wiring harnesses through the steering wheel aperture.
  2. Remove the steering wheel.

### Installation

## 1997 XK RANGE - Steering Column - 211-04



E33683

**1. NOTE:**

Install a new steering wheel retaining bolt.

To install, reverse the removal procedure.

- Tighten to 40 Nm.